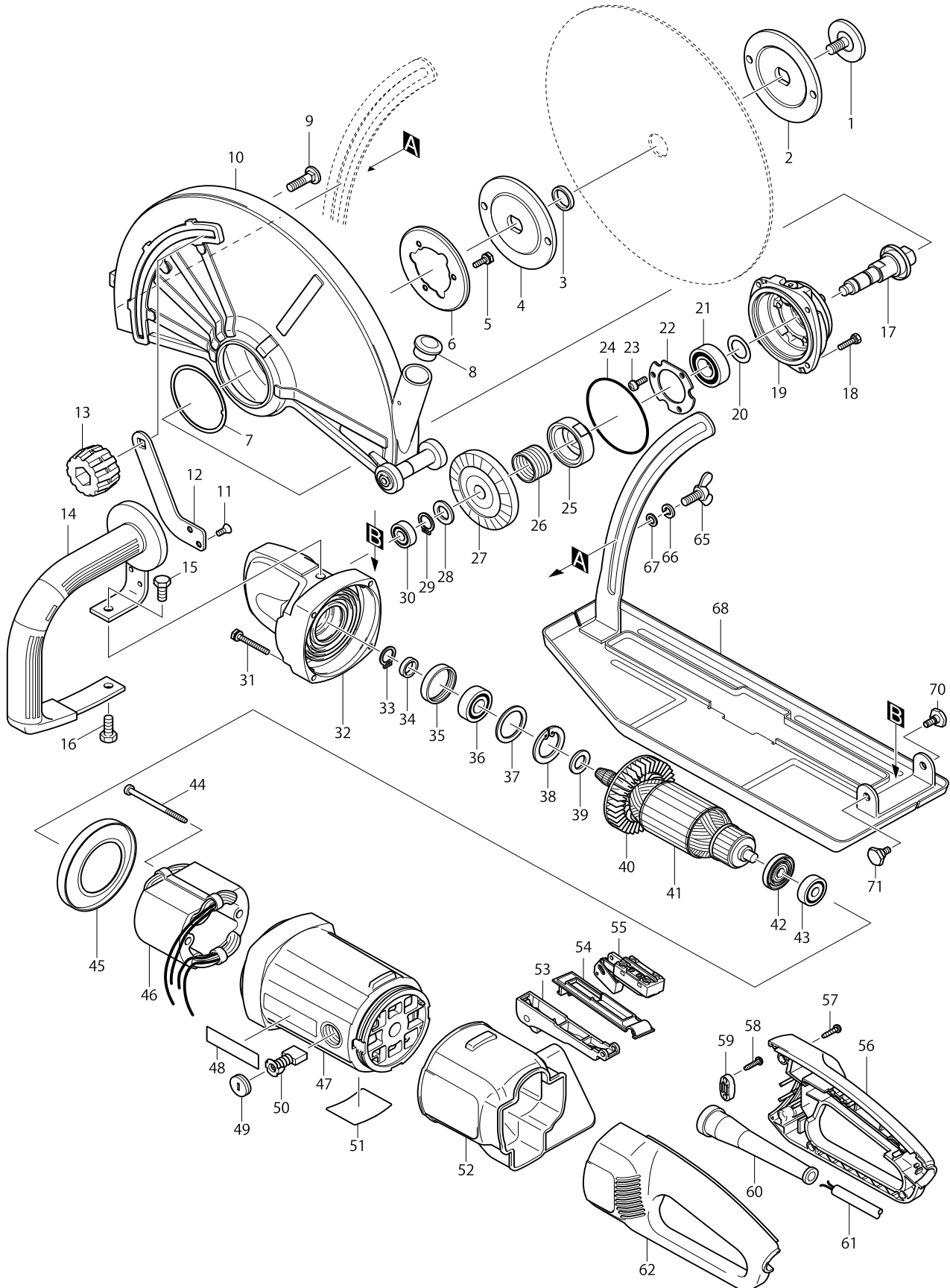




4114
EC-1235



Products with multiple versions are listed in subsiding order with the newest version on top not indented.

| Section | Fig. No. | Part No. | Description | 4114 | EC-1235 | Tech Bulletin | Notes |
|---------|----------|----------|----------------------------------|------|---------|---------------|-------|
| 1 | 1 | 265265-3 | HEX BOLT M10X25, 4110C | 1 | 1 | | |
| 1 | 2 | 224184-2 | INNER FLANGE 100 4112H | 1 | 1 | | |
| 1 | 3 | 257054-0 | RING 20, 4110C | 1 | 1 | | |
| 1 | 4 | 224184-2 | INNER FLANGE 100 4112H | 1 | 1 | | |
| 1 | 5 | 925216-5 | HEX BOLT M5X16, HM1301 | 3 | 3 | | |
| 1 | 6 | 345269-2 | PRESSURE PLATE, 4112H | 1 | 1 | | |
| 1 | 7 | 341853-1 | PLATE B, 4110C | 1 | 1 | | |
| 1 | 8 | 286289-6 | CAP 32, 4112H | 1 | 1 | | |
| 1 | 8 | 286268-4 | CAP 31, 4112H | | | | |
| 1 | 9 | 265845-5 | C.S.N.BOLT M8X30,5037NB | 1 | 1 | | |
| 1 | 10 | 125334-1 | WHEEL COVER ASS'Y, 4114 | 1 | 1 | | |
| 1 | 11 | 912202-5 | C.S.H. SCREW M5X8, 4110C | 2 | 2 | | |
| 1 | 12 | 345291-9 | LOCK PLATE, 4112H | 1 | 1 | | |
| 1 | 13 | 252648-6 | THUMB NUT M8,4112H | 1 | 1 | | |
| 1 | 14 | 273655-6 | GRIP, 4112H | 1 | 1 | | |
| 1 | 15 | 921432-7 | HEX BOLT M8X20, 5177B | 1 | 1 | | |
| 1 | 17 | 153541-6 | SPINDLE,4112H | 1 | 1 | | |
| 1 | 18 | 265502-5 | HEX BOLT, 4112H | 4 | 4 | | |
| 1 | 19 | 153539-3 | BEARING BOX, 4114 | 1 | 1 | | |
| 1 | 20 | 267041-1 | F. WASHER 20, 9077SL | 1 | 1 | | |
| 1 | 21 | 211326-7 | B. BEARING 2012DDW, 3612BRA | 1 | 1 | | |
| 1 | 22 | 285708-9 | BEARING RETAINER 50, 4114 | 1 | 1 | | |
| 1 | 23 | 911221-8 | P.H. SCREW M5X16, 9227C | 3 | 3 | | |
| 1 | 24 | 213757-6 | O RING 80,4114 | 1 | 1 | | |
| 1 | 25 | 331644-8 | LOCK SLEEVE, 4112H | 1 | 1 | | |
| 1 | 26 | 233922-1 | LOCK SPRING 24, 4112H | 1 | 1 | | |
| 1 | 27 | 227439-4 | SPIRAL BEVEL GEAR 57, 4114 | 1 | 1 | | |
| 1 | 28 | 267251-0 | FLAT WASHER 15, 4112H | 1 | 1 | | |
| 1 | 29 | 961055-9 | RETAINING RING S-15, 5007F | 1 | 1 | | |
| 1 | 30 | 211061-7 | B. BEARING 6000LLB, 6222DWE | 1 | 1 | | |
| 1 | 31 | 925261-0 | HEX BOLT M5X40, 4112H | 4 | 4 | | |
| 1 | 32 | 153542-4 | GEAR HOUSING CPL., 4112H | 1 | 1 | | |
| 1 | 33 | 961055-9 | RETAINING RING S-15, 5007F | 1 | 1 | | |
| 1 | 34 | 257053-2 | RING 15, 6510LVR | 1 | 1 | | |
| 1 | 35 | 262554-7 | RUBBER RING 36, 4112H | 1 | 1 | | |
| 1 | 36 | 211228-7 | BALL BEARING 6202DDW, HM1303B | 1 | 1 | | |

Products with multiple versions are listed in subsiding order with the newest version on top not indented.

| Section | Fig. No. | Part No. | Description | 4114 | EC-1235 | Tech Bulletin | Notes |
|---------|----------|----------|------------------------------------|------|---------|---------------|--------------|
| 1 | 37 | 267250-2 | FLAT WASHER 30, 4112H | 1 | 1 | | |
| 1 | 38 | 962157-4 | RETAINING RING R-40, GA7911 | 1 | 1 | | |
| 1 | 39 | 267251-0 | FLAT WASHER 15, 4112H | 1 | 1 | | |
| 1 | 40 | 240060-2 | FAN 80, 4112H | 1 | 1 | | |
| 1 | 41 | 516866-3 | ARMATURE ASS'Y 115V, 4114 | 1 | 1 | | |
| 1 | 42 | 681630-2 | INSULATION WASHER 10, GA7021 | 1 | 1 | | |
| 1 | 43 | 211087-9 | B. BEARING 6200DDW, 4114 | 1 | 1 | | |
| 1 | 44 | 266059-9 | T. SCREW, FLANGE 5X75,2414B | 2 | 2 | | |
| 1 | 45 | 416131-9 | BAFFLE PLATE, 4114 | 1 | 1 | | |
| 1 | 46 | 626126-6 | FIELD 115V, 4114 | 1 | 1 | | |
| 1 | 47 | 183564-0 | MOTOR HOUSING,4112H | 1 | | | |
| 1 | 47 | 188171-4 | MOTOR HOUSING, EC-1235 | | 1 | | USE 183564-0 |
| 1 | 48 | 819064-1 | MAKITA MARK, 5402NA | 2 | 2 | | |
| 1 | 49 | 643710-2 | BRUSH HOLDER CAP, HM1800 | 2 | 2 | | |
| 1 | 50 | CB210 | CARBON BRUSH (2 PCS.), 194993-2 | 1 | 1 | | |
| 1 | 50 | 193696-5 | CARBON BRUSH SET CB- 210,4112H | | | | |
| 1 | 51 | 862174-3 | NAME PLATE, 4114 | 1 | 1 | | |
| 1 | 52 | 421831-8 | DUST COVER, 4112H | 1 | 1 | | |
| 1 | 53 | 153546-6 | SWITCH LEVER CPL., 4112H | 1 | 1 | | |
| 1 | 54 | 417313-6 | SWITCH BASE, 9015A | 1 | 1 | | |
| 1 | 55 | 651169-9 | SWITCH, 4114 | 1 | 1 | | |
| 1 | 56 | 183566-6 | HANDLE SET,4112H | 1 | 1 | | |
| 1 | 57 | 266045-0 | TAPPING SCREW 4X20, 9046 | 5 | 5 | | |
| 1 | 58 | 265995-6 | TAPPING SCREW 4X18, BO4556K | 2 | 2 | | |
| 1 | 59 | 687052-4 | STRAIN RELIEF, 5007F | 1 | 1 | | |
| 1 | 60 | 682560-0 | CORD GUARD 10, HM1202C | 1 | 1 | | |
| 1 | 61 | 664463-0 | CORD (2X14X8 SJ), 5007F | 1 | 1 | | |
| 1 | 62 | 183566-6 | HANDLE SET,4112H | 1 | 1 | | |
| 1 | 65 | 924426-1 | THUMB SCREW M8X20, 5402A | 1 | 1 | | |
| 1 | 66 | 942201-3 | SPRING WASHER 8, 2414NB | 1 | 1 | | |
| 1 | 67 | 941201-0 | F. WASHER 8, 5007NK | 1 | 1 | | |
| 1 | 68 | 165431-1 | BASE, 4114 | 1 | 1 | | |
| 1 | 70 | 265557-0 | S.HEX BOLT M6, 4114 | 1 | 1 | | |
| 1 | 70 | 782210-8 | SOCKET WRENCH 17,2414B | 1 | 1 | | |