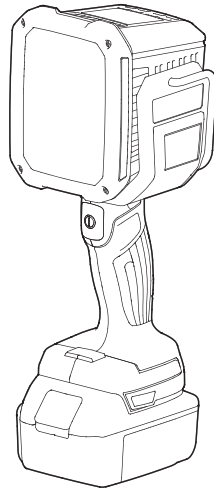


**INSTRUCTION MANUAL
MANUEL D'INSTRUCTION
MANUAL DE INSTRUCCIONES**



Cordless Flashlight Lampe Torche à Batterie Linterna Inalámbrica

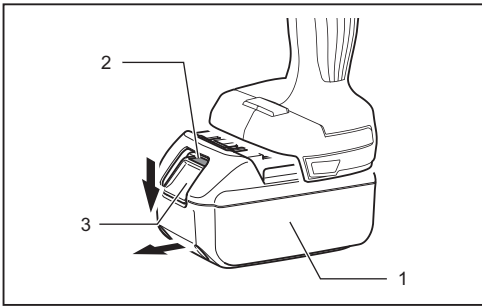
**DML812
ADML812**



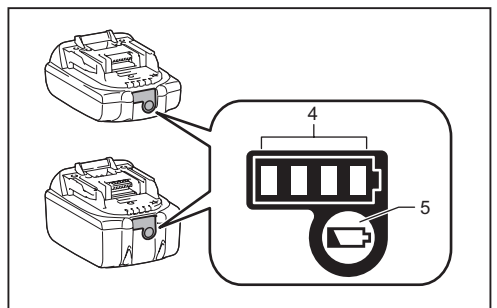
IMPORTANT: Read Before Using.

IMPORTANT: Lire avant usage.

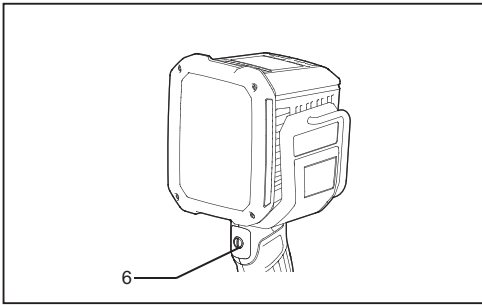
IMPORTANTE: Lea antes de usar.



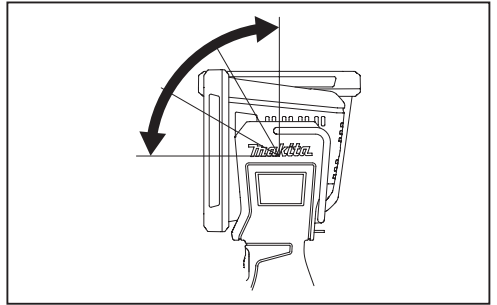
1



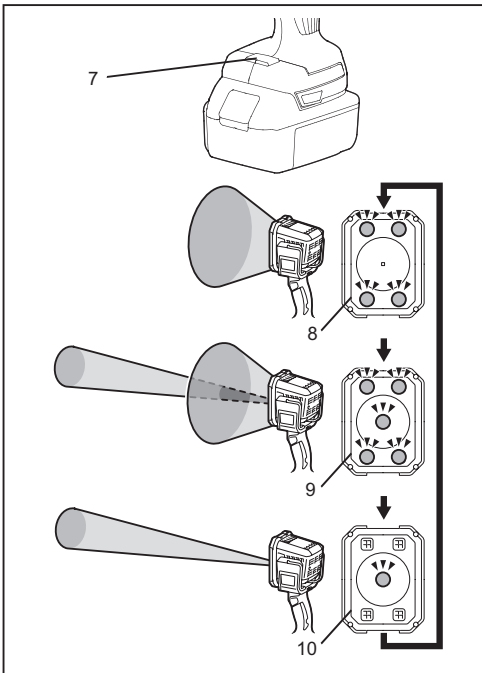
2



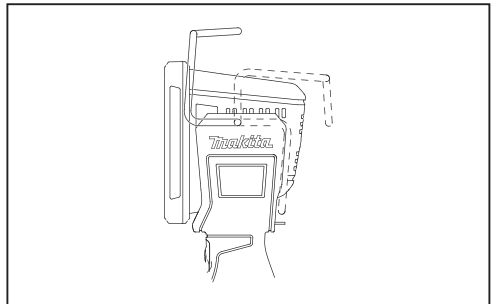
3



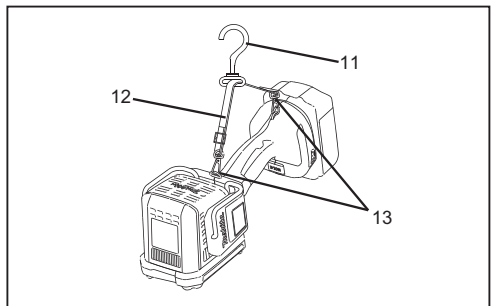
5



4



6



7

ENGLISH (Original instructions)

Explanation of general view

- | | | | |
|---------------------------|-----------------|----------------------|----------|
| 1. Battery cartridge | 5. Check button | 9. Spot + Flood mode | 13. Ring |
| 2. Red indicator | 6. Switch | 10. Spot mode | |
| 3. Battery release button | 7. MODE button | 11. Hook | |
| 4. Indicator lamps | 8. Flood mode | 12. Strap | |

SPECIFICATIONS

Model:	DML812 / ADML812
LED	Spot : 9W × 1 & Flood : 1 W × 16
Dimensions (L × W × H)	119 mm × 115 mm × 313 mm (4-11/16" × 4-1/2" × 12-3/8")
Rated voltage	D.C. 14.4 V/18 V
Net weight	1.2~1.6 kg (2.65~3.53 lbs)

- Due to our continuing program of research and development, the specifications herein are subject to change without notice.
- Specifications may differ from country to country.
- The dimensions are with BL1860B and with the head facing upward.
- The weight may differ depending on the attachment(s), including the battery cartridge. The lightest and heaviest combination, according to EPTA-Procedure 01/2014, are shown in the table.

Applicable battery cartridge

BL1430B / BL1815N / BL1820B / BL1830 / BL1830B / BL1840B / BL1850B / BL1860B

- Some of the battery cartridges listed above may not be available depending on your region of residence.

⚠ WARNING: Only use the battery cartridges listed above. Use of any other battery cartridges may cause injury and/or fire.

Operating time

Battery cartridge	Operating time (Approximately)			
	Spot	Flood	Spot + Flood	Strobe
BL1430B	3.0 hours	2.4 hours	1.9 hours	2.7 hours
BL1815N	2.5 hours	1.9 hours	1.5 hours	2.2 hours
BL1820B	3.0 hours	2.6 hours	2.1 hours	2.9 hours
BL1830 / BL1830B	4.5 hours	3.5 hours	2.9 hours	4.0 hours
BL1840B	6.5 hours	5.0 hours	4.0 hours	5.5 hours
BL1850B	8.5 hours	6.5 hours	5.0 hours	7.0 hours
BL1860B	10 hours	7.5 hours	6.0 hours	8.5 hours

- The operating times in the above table are a rough guideline. They may differ from actual operating times.
- Operating times may differ depending on battery type, charging status, and usage condition.
- Battery cartridge may differ from country to country.

SAFETY WARNINGS

IMPORTANT SAFETY INSTRUCTIONS

⚠ WARNING: When using electric tools, basic safety precautions should always be followed to reduce the risk of fire, electric shock, and personal injury, including the following:

READ ALL INSTRUCTIONS.

1. Do not look into the light, or do not expose the light to eyes. Eyes may be damaged.
2. Do not cover or clog the lit tool with cloth or carton, etc. Covering or clogging it may cause a flame.
3. The tool is not waterproof. Do not use it in damp or wet locations. Do not expose it to rain or snow. Do not wash it in water.
4. Do not touch the inside of the flashlight head with tweezers, metal tools, etc.
5. Do not give the tool a shock by dropping, striking, etc.
6. When the tool is not in use, always switch off and remove the battery cartridge from the tool.
7. Battery tool use and care
 - Prevent unintentional starting. Ensure the switch is in the off position before connecting to battery pack, picking up or carrying the machine. Carrying the appliance with your finger on the switch or energizing appliance that have the switch on invites accidents.
 - Disconnect the battery pack from the appliance before making any adjustments, changing accessories, or storing machine. Such preventive safety measures reduce the risk of starting the appliance accidentally.
 - Recharge only with the charger specified by the manufacturer. A charger that is suitable for one type of battery pack may create a risk of fire when used with another battery pack.
 - Use appliance only with specifically designated battery packs. Use of any other battery packs may create a risk of injury and fire.
 - When battery pack is not in use, keep it away from other metal objects, like paper clips, coins, keys, nails, screws or other small metal objects, that can make a connection from one terminal to another. Shorting the battery terminals together may cause burns or a fire.
 - Under abusive conditions, liquid may be ejected from the battery; avoid contact. If contact accidentally occurs, flush with water. If liquid contacts eyes, seek medical help. Liquid ejected from the battery may cause irritation or burns.
 - Do not use a battery pack or appliance that is damaged or modified. Damaged or modified batteries may exhibit unpredictable behaviour resulting in fire, explosion or risk of injury.

- Do not expose a battery pack or appliance to fire or excessive temperature. Exposure to fire or temperature above 130°C (265°F) may cause explosion.
- Follow all charging instructions and do not charge the battery pack or appliance outside of the temperature range specified in the instructions. Charging improperly or at temperatures outside of the specified range may damage the battery and increase the risk of fire.
- Have servicing performed by a qualified repair person using only identical replacement parts. This will ensure that the safety of the product is maintained.
- Do not modify or attempt to repair the appliance or the battery pack except as indicated in the instructions for use and care.
- Do not dispose of the battery(ies) in a fire. The cell may explode. Check with local codes for possible special disposal instructions.
- Do not open or mutilate the battery(ies). Released electrolyte is corrosive and may cause damage to the eyes or skin. It may be toxic if swallowed.
- Do not charge battery in rain, or in wet locations.
- Do not handle charger, including charger plug, and charger terminals with wet hands.
- Do not charge the battery outdoors.

Important safety instructions for battery cartridge

1. Before using battery cartridge, read all instructions and cautionary markings on (1) battery charger, (2) battery, and (3) product using battery.
2. Do not disassemble battery cartridge.
3. If operating time has become excessively shorter, stop operating immediately. It may result in a risk of overheating, possible burns and even an explosion.
4. If electrolyte gets into your eyes, rinse them out with clear water and seek medical attention right away. It may result in loss of your eyesight.
5. Do not short the battery cartridge:
 - (1) Do not touch the terminals with any conductive material.
 - (2) Avoid storing battery cartridge in a container with other metal objects such as nails, coins, etc.
 - (3) Do not expose battery cartridge to water or rain.

A battery short can cause a large current flow, overheating, possible burns and even a breakdown.
6. Do not store the tool and battery cartridge in locations where the temperature may reach or exceed 50 °C (122 °F).
7. Do not incinerate the battery cartridge even if it is severely damaged or is completely worn out. The battery cartridge can explode in a fire.
8. Be careful not to drop or strike battery.
9. Do not use a damaged battery.

10. The contained lithium ion batteries are subject to the Dangerous Goods Legislation requirements.

For commercial transports e.g. by third parties, forwarding agents, special requirement on packaging and labeling must be observed.

For preparation of the item being shipped, consulting an expert for hazardous material is required.

Please also observe possibly more detailed national regulations.

Tape or mask off open contacts and pack up the battery in such a manner that it cannot move around in the packaging.

11. When disposing the battery cartridge, remove it from the tool and dispose of it in a safe place. Follow your local regulations relating to disposal of battery.

12. Use the batteries only with the products specified by Makita. Installing the batteries to non-compliant products may result in a fire, excessive heat, explosion, or leak of electrolyte.

13. If the tool is not used for a long period of time, the battery must be removed from the tool.

Note: This equipment has been tested and found to comply with the limits for a Class B digital device, pursuant to part 15 of the FCC Rules. These limits are designed to provide reasonable protection against harmful interference in a residential installation. This equipment generates, uses and can radiate radio frequency energy and, if not installed and used in accordance with the instructions, may cause harmful interference to radio communications. However, there is no guarantee that interference will not occur in a particular installation. If this equipment does cause harmful interference to radio or television reception, which can be determined by turning the equipment off and on, the user is encouraged to try to correct the interference by one or more of the following measures:

- Reorient or relocate the receiving antenna.
- Increase the separation between the equipment and receiver.
- Connect the equipment into an outlet on a circuit different from that to which the receiver is connected.
- Consult the dealer or an experienced radio/TV technician for help.

SAVE THESE INSTRUCTIONS.

⚠ CAUTION: Only use genuine Makita batteries.

Use of non-genuine Makita batteries, or batteries that have been altered, may result in the battery bursting causing fires, personal injury and damage. It will also void the Makita warranty for the Makita tool and charger.

Tips for maintaining maximum battery life

1. Charge the battery cartridge before completely discharged. Always stop tool operation and charge the battery cartridge when you notice less tool power.
2. Never recharge a fully charged battery cartridge. Overcharging shortens the battery service life.
3. Charge the battery cartridge with room temperature at 10 °C - 40 °C (50 °F - 104 °F). Let a hot battery cartridge cool down before charging it.
4. Charge the battery cartridge if you do not use it for a long period (more than six months).

FCC caution

For United States

This device complies with Part 15 of the FCC Rules. Operation is subject to the following two conditions:

- (1) this device may not cause harmful interference, and
- (2) this device must accept any interference received, including interference that may cause undesired operation.

Changes or modifications not expressly approved by the party responsible for compliance could void the user's authority to operate the equipment.

ICES-005 standard

For Canada

CAN ICES-005(B)/NMB-005(B)

FUNCTIONAL DESCRIPTION

⚠ CAUTION: Always be sure that the tool is switched off and the battery cartridge is removed before adjusting or checking function on the tool.

Installing or removing battery cartridge (Fig. 1)

⚠ CAUTION: Always switch off the tool before removing of the battery cartridge.

⚠ CAUTION: Hold the tool and the battery cartridge firmly when installing or removing battery cartridge. Failure to hold the tool and the battery cartridge firmly may cause them to slip off your hands and result in damage to the tool and battery cartridge and a personal injury.

To remove the battery cartridge, slide it from the tool while sliding the button on the front of the cartridge. To install the battery cartridge, align the tongue on the battery cartridge with the groove in the housing and slip it into place. Insert it all the way until it locks in place with a little click. If you can see the red indicator on the upper side of the button, it is not locked completely.






















⚠ CAUTION: Always install the battery cartridge fully until the red indicator cannot be seen. If not, it may accidentally fall out of the tool, causing injury to you or someone around you.

⚠ CAUTION: Do not install the battery cartridge forcibly. If the cartridge does not slide in easily, it is not being inserted correctly.

Indicating the remaining battery capacity (Fig. 2)

Only for battery cartridges with the indicator

Press the check button on the battery cartridge to indicate the remaining battery capacity. The indicator lamps light up for a few seconds.

Indicator lamps			Remaining capacity
Lighted	Off	Blinking	
			75% to 100%
			50% to 75%
			25% to 50%
			0% to 25%
			Charge the battery.
			The battery may have malfunctioned.
			

NOTE: Depending on the conditions of use and the ambient temperature, the indication may differ slightly from the actual capacity.

Lighting up the light (Fig. 3)

⚠ CAUTION: Do not look in the light or see the source of light directly.

Push the power button to light up the light. To turn off the light, push the power button again.

NOTE: The appliance turns on at the same mode as the last setting.

Selecting the mode

During the light is on, press the **MODE** button to cycle through **spot**, **flood** and **spot + flood** settings.

Turn on strobe lighting (Fig. 4)

Press and hold the **MODE** button until the appliance turns **strobe** mode. To turn off the **strobe** mode, simply press **MODE** button.

Battery protection system

The tool is equipped with the protection system, which automatically cuts off the output power for long service life. The light goes off during operation when the remaining battery capacity gets low. This is caused by the activation of the protection system and does not show trouble. Remove the battery cartridge from the tool and charge it.

Head angle (Fig. 5)

⚠ CAUTION: When changing the head angle, be careful not to pinch your fingers between the head and the tool body.

The head angle can be adjusted in 4 stages.

Hook (Fig. 6)

⚠ CAUTION: When raising the hook, be careful not to pinch your fingers between the hook and the tool body.

Shoulder Strap (Fig. 7)

The shoulder strap can be installed by clips at both ends.

MAINTENANCE

⚠ CAUTION: Always be sure that the tool is switched off and the battery cartridge is removed before attempting to perform inspection or maintenance.

NOTICE: Never use gasoline, benzene, thinner, alcohol or the like. Discoloration, deformation or cracks may result.

To maintain product SAFETY and RELIABILITY, repairs, any other maintenance or adjustment should be performed by Makita Authorized or Factory Service Centers, always using Makita replacement parts.

OPTIONAL ACCESSORIES

⚠ CAUTION: These accessories or attachments are recommended for use with your Makita tool specified in this manual. The use of any other accessories or attachments might present a risk of injury to persons. Only use accessory or attachment for its stated purpose.

If you need any assistance for more details regarding these accessories, ask your local Makita Service Center.

- Makita genuine battery and charger

NOTE: Some items in the list may be included in the tool package as standard accessories. They may differ from country to country.

MAKITA LIMITED WARRANTY

Please refer to the annexed warranty sheet for the most current warranty terms applicable to this product. If annexed warranty sheet is not available, refer to the warranty details set forth at below website for your respective country.

United States of America: www.makitatools.com

Canada: www.makita.ca

Other countries: www.makita.com

FRANÇAIS (Mode d'emploi original)

Explication de la vue générale

- | | | |
|--|---------------------------|---|
| 1. Cartouche de pile | 5. Bouton de vérification | 9. Mode Éclairage + Inondation-13. Anneau |
| 2. Voyant rouge | | |
| 3. Bouton de déverrouillage de la batterie | 6. Interrupteur | 10. Mode Éclairage |
| 4. Voyants lumineux | 7. Bouton MODE | 11. Crochet |
| | 8. Mode Inondation | 12. Sangle |

SPÉCIFICATIONS

Modèle :	DML812 / ADML812
DEL	Éclairage : 9 W × 1 et Inondation : 1 W × 16
Dimensions (L × L × H)	119 mm × 115 mm × 313 mm (4-11/16 po × 4-1/2 po × 12-3/8 po)
Tension nominale	C.c. 14,4 V/18 V
Poids net	1,2~1,6 kg (2,65~3,53 lb)

- En raison de notre programme de recherche et développement en continu, les spécifications ci-incluses peuvent être modifiées sans préavis.
- Les caractéristiques techniques peuvent varier d'un pays à l'autre.
- Les dimensions sont pour BL1860B et la tête vers le haut.
- Le poids peut varier en fonction de l'accessoire ou des accessoires, y compris la cartouche de pile. La combinaison la plus légère et la plus lourde, selon la procédure EPTA 01/2014, est indiquée dans le tableau.

Cartouche de pile applicable

BL1430B/BL1815N/BL1820B/BL1830/BL1830B/BL1840B/BL1850B/BL1860B

- Certaines des cartouches de pile énumérées ci-dessus peuvent ne pas être offertes dans votre région de résidence.

⚠ AVERTISSEMENT : N'utilisez que les cartouches de pile énumérées ci-dessus. L'utilisation de toute autre cartouche de pile peut provoquer des blessures ou un incendie.

Durée de fonctionnement

Cartouche de pile	Temps de fonctionnement (approximatif)			
	Éclairage	Inondation	Éclairage + Inondation	Strobe
BL1430B	3,0 heures	2,4 heures	1,9 heures	2,7 heures
BL1815N	2,5 heures	1,9 heures	1,5 heures	2,2 heures
BL1820B	3,0 heures	2,6 heures	2,1 heures	2,9 heures
BL1830 / BL1830B	4,5 heures	3,5 heures	2,9 heures	4,0 heures
BL1840B	6,5 heures	5,0 heures	4,0 heures	5,5 heures
BL1850B	8,5 heures	6,5 heures	5,0 heures	7,0 heures
BL1860B	10 heures	7,5 heures	6,0 heures	8,5 heures

- Les durées de fonctionnement indiquées dans le tableau ci-dessus sont données à titre indicatif. Elles peuvent différer des durées de fonctionnement réelles.
- Les durées de fonctionnement peuvent varier en fonction du type de pile, de l'état de la charge et des conditions d'utilisation.
- La cartouche de pile peut différer d'un pays à l'autre.

AVERTISSEMENTS DE SÉCURITÉ

CONSIGNES DE SÉCURITÉ IMPORTANTES

⚠ AVERTISSEMENT : Lors de l'utilisation d'outils électriques, des précautions de sécurité de base doivent toujours être prises pour réduire les risques d'incendie, de choc électrique et de blessures corporelles, notamment les suivantes :

LISEZ TOUTES LES INSTRUCTIONS.

1. **Ne regardez pas dans la lumière ou n'exposez pas la lumière aux yeux.** Cela peut endommager les yeux.
2. **Ne couvrez pas ou n'obstruez pas l'outil allumé avec un linge ou un carton, etc.** Le recouvrir ou l'obstruer peut provoquer une flamme.
3. **L'outil n'est pas étanche. Ne l'utilisez pas dans des endroits humides ou mouillés. Ne l'exposez pas à la pluie ou à la neige. Ne le rincez pas à l'eau.**
4. **Ne touchez pas l'intérieur de la tête de la lampe de poche avec des pinces, des outils métalliques, etc.**
5. **Ne donnez pas de choc à l'outil en le faisant tomber, en le frappant, etc.**
6. **Lorsque l'outil n'est pas utilisé, toujours éteindre et retirer la cartouche de pile de l'outil.**
7. **Utilisation et entretien de l'outil sur pile**
 - **Empêchez tout démarrage accidentel.** Assurez-vous que l'interrupteur est en position d'arrêt avant de brancher le bloc de batteries, de ramasser ou de transporter la machine. Le fait de transporter l'appareil avec le doigt sur l'interrupteur ou d'alimenter l'appareil avec l'interrupteur en marche risque d'entraîner des accidents.
 - **Débranchez la batterie de l'appareil avant d'effectuer des réglages, de changer des accessoires ou de ranger l'appareil.** De telles mesures de sécurité préventives réduisent le risque de mettre en marche l'appareil accidentellement.
 - **Rechargez uniquement avec le chargeur spécifié par le fabricant.** Un chargeur adapté à un type de bloc-pile peut entraîner un risque d'incendie s'il est utilisé avec un autre bloc-pile.
 - **N'utilisez l'appareil qu'avec des batteries spécialement conçues à cet effet.** L'utilisation de tout autre bloc-pile peut entraîner un risque de blessure et d'incendie.
 - **Lorsque le bloc-pile n'est pas utilisé, éloignez-le des autres objets métalliques, tels que trombones, pièces de monnaie, clés, clous, vis ou autres petits objets métalliques qui peuvent établir la connexion d'une borne à une autre.** Court-circuiter les bornes de la pile ensemble peut causer des brûlures ou un incendie.

- **Dans des conditions extrêmes, du liquide peut être éjecté de la pile; évitez tout contact.** En cas de contact accidentel, rincez-vous à grande eau. Si le liquide entre en contact avec les yeux, consultez un médecin. Le liquide éjecté de la pile peut causer une irritation ou des brûlures.
- **N'utilisez pas un bloc-pile ou un appareil endommagé ou modifié.** Les piles endommagées ou modifiées peuvent présenter un fonctionnement imprévisible et provoquer un incendie, une explosion ou un risque de blessure.
- **N'exposez pas un bloc-pile ou un appareil à un feu ou à une température excessive.** L'exposition au feu ou à une température supérieure à 130°C (265°F) peut provoquer une explosion.
- **Suivez toutes les instructions de charge et ne chargez pas la pile ou l'appareil en dehors de la zone de température spécifiée dans ces instructions.** Une charge incorrecte ou à des températures à l'extérieur de la plage spécifiée peut endommager la pile et augmenter le risque d'incendie.
- **Faites effectuer l'entretien par un réparateur qualifié en n'utilisant que des pièces de rechange identiques.** Cela garantira le maintien de la sécurité du produit.
- **Ne modifiez pas l'appareil ou le bloc-pile, et n'essayez pas de le réparer vous-même, sauf comme indiqué dans les instructions d'utilisation et d'entretien.**
- **Ne jetez pas la (les) pile(s) au feu.** La cellule peut exploser. Vérifiez les codes locaux pour d'éventuelles instructions spéciales d'élimination.
- **N'ouvrez pas et ne morcelez pas la (les) batterie(s).** L'électrolyte libéré est corrosif et peut endommager les yeux ou la peau. Il peut être toxique en cas d'ingestion.
- **Ne chargez pas la pile sous la pluie ou dans des endroits mouillés.**
- **Ne manipulez pas le chargeur, y compris la prise du chargeur et les bornes du chargeur avec les mains mouillées.**
- **Ne chargez pas la pile à l'extérieur.**

Consignes de sécurité importantes pour la cartouche de pile

1. **Avant d'utiliser la cartouche de pile, lisez toutes les instructions et les mises en garde sur (1) le chargeur de pile, (2) la pile et (3) le produit utilisant une pile.**
2. **Ne démontez pas la cartouche de pile.**
3. **Si le temps de fonctionnement est devenu excessivement plus court, cessez immédiatement d'utiliser l'appareil.** Cette situation peut entraîner un risque de surchauffe, de brûlures et même d'explosion.
4. **Si de l'électrolyte entre dans vos yeux, rincez-les à l'eau claire et consultez immédiatement un médecin.** Cet incident pourrait entraîner une perte de la vue.
5. **Ne court-circuitez pas la cartouche de pile :**
 - (1) **Ne touchez pas les bornes avec un matériau conducteur.**

- (2) Évitez de ranger la cartouche de piles dans un contenant avec d'autres objets métalliques, tels que des clous, des pièces de monnaie, etc.
- (3) N'exposez pas la cartouche de pile à l'eau ou à la pluie.

Un court-circuit de la pile peut causer un flux de courant important, une surchauffe, des brûlures possibles et même une panne.

6. Ne rangez pas l'outil et la cartouche de pile dans des endroits où la température peut atteindre ou dépasser 50 °C (122 °F).
7. Ne pas incinérer la cartouche de pile, même si elle est gravement endommagée ou complètement usée. La cartouche de pile peut exploser lorsqu'elle est jetée dans un feu.
8. Veillez à ne pas faire tomber la pile ou à la frapper.
9. N'utilisez pas une pile endommagée.
10. Les piles au lithium-ion sont soumises aux exigences de la législation en matière de marchandises dangereuses.

Pour les transports commerciaux, par des tiers ou des agents de transport par exemple, des exigences particulières en matière d'emballage et d'étiquetage doivent être respectées.

Pour la préparation de l'article à expédier, il faut consulter un expert en matières dangereuses. Veuillez également respecter les réglementations nationales probablement plus détaillées.

Attachez ou masquez les contacts ouverts et emballez le bloc-pile de manière à ce qu'il ne puisse pas se déplacer dans l'emballage.

11. Lors de la mise au rebut de la cartouche de pile, retirez-la de l'outil et mettez-la dans un endroit sûr. Respectez les réglementations locales relatives à l'élimination des piles.
12. N'utilisez les piles qu'avec les produits mentionnés par Makita. L'installation des piles sur des produits non conformes peut provoquer un incendie, une chaleur excessive, une explosion ou une fuite d'électrolyte.
13. Si l'outil n'est pas utilisé pendant une longue période, la pile doit être retirée de l'outil.

CONSERVEZ CES INSTRUCTIONS.

⚠ AVERTISSEMENT : N'utilisez que des piles Makita d'origine. L'utilisation de piles Makita non authentiques, ou de piles qui ont été modifiées, peut entraîner l'éclatement de la pile et provoquer des incendies, des blessures corporelles et des dommages. Cela annulera également la garantie de Makita pour l'outil et le chargeur Makita.

Conseils pour maintenir la durée de vie maximale de la pile

1. Chargez la cartouche de pile avant de la décharger complètement. Arrêtez toujours le fonctionnement de l'outil et chargez la cartouche de la pile lorsque vous remarquez une réduction de la puissance de l'outil.
2. Ne rechargez jamais une cartouche de pile complètement chargée. Une surcharge réduit la durée de vie de la pile.
3. Chargez la cartouche de pile à température ambiante entre 10 °C et 40 °C (50 °F et 104 °F). Laissez refroidir une cartouche de pile chaude avant de la recharger.
4. Chargez la cartouche de pile si vous ne l'utilisez pas pendant une longue période (plus de six mois).

Mise en garde de la FCC pour

une utilisation aux États-Unis

Cet appareil est conforme à l'article 15 du règlement de la FCC. L'utilisation est soumise aux deux conditions suivantes :

(1) cet appareil ne doit pas causer d'interférences nuisibles, et (2) cet appareil doit accepter toute interférence reçue, y compris les interférences qui peuvent causer un fonctionnement non désiré.

Tout changement ou toute modification non expressément approuvé par la partie responsable de la conformité pourrait annuler le droit de l'utilisateur d'utiliser l'équipement.

Remarque : Cet équipement a été testé et déclaré conforme aux limites d'un appareil numérique de classe B, conformément à l'article 15 des règlements de la FCC. Ces limites sont conçues pour fournir une protection raisonnable contre les interférences nuisibles dans une installation résidentielle. Cet équipement génère, utilise et peut émettre de l'énergie radiofréquence et, s'il n'est pas installé et utilisé conformément aux instructions, peut causer des interférences nuisibles aux communications radio. Cependant, il n'y a aucune garantie que des interférences ne se produiront pas dans une installation particulière. Si cet équipement cause des interférences nuisibles à la réception de la radio ou de la télévision, ce qui peut être déterminé en éteignant et en rallumant l'équipement, on suggère à l'utilisateur de tenter de corriger ces interférences par une ou plusieurs des mesures suivantes :

- Réorientez ou déplacez l'antenne de réception.
- Augmentez la distance entre l'équipement et le récepteur.
- Branchez l'équipement dans une prise de courant sur un circuit différent de celui auquel le récepteur est connecté.
- Consultez le détaillant ou un technicien radio/TV expérimenté pour obtenir de l'aide.

Norme ICES-005

Pour le Canada
CAN ICES-005(B)/NMB-005(B)

DESCRIPTION FONCTIONNELLE

⚠ ATTENTION : Assurez-vous toujours que l'outil est éteint et que la cartouche de pile est retirée avant de régler ou de vérifier la fonction de l'outil.

Montage ou démontage de la cartouche de pile (Fig. 1)

⚠ ATTENTION : Éteignez toujours l'outil avant de retirer la cartouche de pile.

⚠ ATTENTION : Tenez fermement l'outil et la cartouche de batterie lorsque vous installez ou retirez la cartouche de pile. Si vous ne tenez pas fermement l'outil et la cartouche de pile, ils risquent de glisser de vos mains et d'endommager l'outil et la cartouche de pile et de provoquer des blessures corporelles.

Pour retirer la cartouche de pile, faites-la glisser de l'outil tout en faisant glisser le bouton à l'avant de la cartouche.

Pour installer la cartouche de pile, alignez la languette de la cartouche de pile avec la rainure du boîtier et glissez-la en place. Insérez-la jusqu'à entendre un déclic. Si vous pouvez voir l'indicateur rouge sur le côté supérieur du bouton, la cartouche n'est pas complètement verrouillée.

⚠ ATTENTION : Installez toujours la cartouche de pile complètement jusqu'à ce que l'indicateur rouge ne soit plus visible. Si ce n'est pas le cas, elle pourrait tomber accidentellement de l'outil et vous blesser ou blesser quelqu'un autour de vous.

⚠ ATTENTION : Ne forcez pas pour installer la cartouche de pile. Si la cartouche ne glisse pas facilement, elle n'est pas insérée correctement.

Indication de la capacité restante de la pile (Fig. 2)

Uniquement pour les cartouches de pile avec indicateur

Appuyez sur le bouton de vérification de la cartouche de pile pour indiquer la capacité restante de la pile. Les voyants lumineux s'allument pendant quelques secondes.

Voyants lumineux			Capacité restante
Éclairé	Arrêt	Clignotant	
			75 % à 100 %
			50% à 75%
			25% à 50%
			0% à 25%
			Chargez la pile.
			La pile a peut-être mal fonctionné.

REMARQUE : Selon les conditions d'utilisation et la température ambiante, l'indication peut différer légèrement de la capacité réelle.

Allumage de la lumière (Fig. 3)

⚠ ATTENTION : Ne regardez pas dans la lumière ou ne voyez pas directement la source de lumière.

Appuyez sur le bouton d'alimentation pour allumer la lumière. Pour éteindre la lumière, appuyez à nouveau sur le bouton d'alimentation.

REMARQUE : L'appareil s'allume dans le même mode que le dernier réglage.

Sélection du mode

Lorsque la lumière est allumée, appuyez sur le bouton **MODE** pour faire défiler les réglages **Éclairage**, **Inondation** et **Éclairage + Inondation**.

Allumez l'éclairage stroboscopique (Fig. 4)

Appuyez sur le bouton **MODE** et maintenez-le enfoncé jusqu'à ce que l'appareil passe en mode **Strobe**. Pour désactiver le mode **Strobe**, appuyez simplement sur le bouton **MODE**.

Système de protection de la pile

L'outil est équipé d'un système de protection qui coupe automatiquement la puissance de sortie pour une longue durée de vie. Le voyant s'éteint pendant le fonctionnement lorsque la capacité restante de la pile est faible. Ceci est dû à l'activation du système de protection et ne présente aucun problème. Retirez la cartouche de batterie de l'outil et chargez-la.

Angle de la tête (Fig. 5)

⚠ ATTENTION : Lorsque vous changez l'angle de la tête, veillez à ne pas vous pincer les doigts entre la tête et le corps de l'outil.

L'angle de la tête peut être réglé en 4 niveaux.

Crochet (Fig. 6)

⚠ ATTENTION : Lorsque vous soulevez le crochet, veillez à ne pas vous pincer les doigts entre le crochet et le corps de l'outil.

Bretelle (Fig. 7)

La bretelle peut être installée par des pinces aux deux extrémités.

ENTRETIEN

⚠ ATTENTION : Avant toute inspection ou tout entretien, assurez-vous toujours que l'outil est éteint et que la cartouche de pile est retirée.

AVIS : N'utilisez jamais de gazoline, d'essence, de diluant, d'alcool ou autre. Ces produits pourraient causer une décoloration, une déformation ou des fissures.

Pour maintenir la SÉCURITÉ et la FIABILITÉ du produit, les réparations, tout autre entretien ou ajustement doivent être effectués par des centres de service autorisés par Makita ou des centres de service d'usine, toujours avec des pièces de rechange de Makita.

ACCESSOIRES FACULTATIFS

⚠ ATTENTION : Ces accessoires ou pièces sont recommandés pour une utilisation avec votre outil de Makita spécifié dans ce manuel. L'utilisation d'autres accessoires ou pièce peut présenter un risque de blessure. Utilisez un accessoire ou une pièce uniquement pour les raisons indiquées..

Si vous avez besoin d'aide pour plus de détails concernant ces accessoires, demandez à votre centre de service local de Makita.

- Pile et chargeur Makita d'origine

REMARQUE : Certains éléments de la liste peuvent être inclus dans l'ensemble d'outils comme accessoires standard. Ils peuvent varier d'un pays à l'autre.

GARANTIE LIMITÉE DE MAKITA

Référez-vous à la garantie en annexe pour connaître les plus récentes conditions de garantie applicable à ce produit. Si la garantie n'est pas annexée, référez-vous aux renseignements de garantie détaillés sur notre site Web national indiqué ci-dessous.

États-Unis d'Amérique : www.makitatools.com

Canada : www.makita.ca

Autres pays : www.makita.com

ESPAÑOL (Instrucciones originales)

Explicación de la vista general

- | | | | |
|--------------------------------------|--------------------------|---------------------------|---------|
| 1. Cartucho de batería | 5. Botón de verificación | 9. Modo foco + inundación | 13. Aro |
| 2. Indicador rojo | 6. Interruptor | 10. Modo foco | |
| 3. Botón de liberación de la batería | 7. Botón MODE (modo) | 11. Gancho | |
| 4. Lámparas indicadoras | 8. Modo de inundación | 12. Correa | |

ESPECIFICACIONES

Modelo:	DML812 / ADML812
LED	Foco: 9 W × 1 e Inundación: 1 W × 16
Medidas (largo × ancho × altura)	119 mm × 115 mm × 313 mm (4-11/16" × 4-1/2" × 12-3/8")
Tensión nominal	C.C. 14,4 V/18 V
Peso neto	1,2 kg~1,6 kg (2,65 lb~3,53 lb)

- Debido a nuestro programa continuo de investigación y desarrollo, las especificaciones en este documento están sujetas a cambios sin previo aviso.
- Las especificaciones pueden diferir de un país a otro.
- Las dimensiones se miden con BL1860B y con la cabeza hacia arriba.
- El peso puede variar dependiendo del/de los accesorio(s), incluido el cartucho de batería. La combinación más liviana y la más pesada, según el procedimiento EPTA 01/2014, se muestran en la tabla.

Cartucho de batería correspondiente

BL1430B / BL1815N / BL1820B / BL1830 / BL1830B / BL1840B / BL1850B / BL1860B

- Es posible que algunos de los cartuchos de batería mencionados anteriormente no estén disponibles según su área de residencia.

⚠ ADVERTENCIA: Utilice únicamente los cartuchos de batería mencionados anteriormente. El uso de cualquier otro cartucho de batería puede causar lesiones y/o incendio.

Tiempo de funcionamiento

Cartucho de batería	Tiempo de funcionamiento (aproximadamente)			
	Foco	Inundación	Foco + Inundación	Estroboscópico
BL1430B	3,0 horas	2,4 horas	1,9 horas	2,7 horas
BL1815N	2,5 horas	1,9 horas	1,5 horas	2,2 horas
BL1820B	3,0 horas	2,6 horas	2,1 horas	2,9 horas
BL1830 / BL1830B	4,5 horas	3,5 horas	2,9 horas	4,0 horas
BL1840B	6,5 horas	5,0 horas	4,0 horas	5,5 horas
BL1850B	8,5 horas	6,5 horas	5,0 horas	7,0 horas
BL1860B	10 horas	7,5 horas	6,0 horas	8,5 horas

- Los tiempos de funcionamiento en la tabla anterior son una guía aproximada. Pueden diferir de los tiempos de funcionamiento reales.
- Los tiempos de funcionamiento pueden variar según el tipo de batería, el estado de la carga y las condiciones de uso.
- El cartucho de la batería puede diferir de un país a otro.

ADVERTENCIAS DE SEGURIDAD

INSTRUCCIONES DE SEGURIDAD IMPORTANTES

⚠ ADVERTENCIA: Al utilizar herramientas eléctricas, siempre se deben seguir las precauciones básicas de seguridad para reducir el riesgo de incendio, descarga eléctrica y lesiones personales, incluyendo lo siguiente:

LEA TODAS LAS INSTRUCCIONES.

1. **No mire directamente a la luz ni apunte la luz a los ojos.** Los ojos pueden lesionarse.
2. **No cubra ni obstruya la herramienta encendida con un paño o cartón, entre otros.** Cubrirla u obstruirla puede causar un incendio.
3. **La herramienta no es a prueba de agua. No la use en lugares mojados o húmedos. No la deje expuesta a la lluvia o la nieve. No la lave con agua.**
4. **No toque el interior de la cabeza de la linterna con pinzas, herramientas metálicas, entre otros.**
5. **No permita que la herramienta se caiga, se golpee, etcétera.**
6. **Cuando la herramienta no esté en uso, apague y extraiga siempre el cartucho de batería de la herramienta.**
7. **Usos y cuidados de la herramienta a batería**
 - **Evite el encendido involuntario. Asegúrese de que el interruptor esté en la posición de apagado antes de conectar la batería, levantar o transportar la máquina.** Transportar el aparato con el dedo en el interruptor, o alimentar el aparato con el interruptor encendido puede causar accidentes.
 - **Desconecte la batería del aparato antes de realizar cualquier ajuste, cambio de accesorios o almacenar la máquina.** Estas medidas de seguridad preventivas reducen el riesgo de encender el aparato accidentalmente.
 - **Recárguelo solo con el cargador especificado por el fabricante.** Un cargador que es adecuado para determinado tipo de batería puede crear un riesgo de incendio cuando se utiliza con otra batería.
 - **Utilice el aparato solo con las baterías específicamente indicadas.** El uso de cualquier otro paquete de baterías puede conllevar riesgo de lesiones e incendio.
 - **Cuando la batería no esté en uso, manténgala alejada de otros objetos metálicos, como clips de papel, monedas, llaves, clavos, tornillos u otros objetos metálicos pequeños, que puedan crear una conexión de un terminal a otro.** El cortocircuito de los terminales de la batería puede causar quemaduras o un incendio.
 - **En condiciones de mal uso, de la batería puede**

salir líquido; evite el contacto. Si se produce un contacto accidental, enjuáguese con agua. Si el líquido entra en contacto con los ojos, busque ayuda médica. El líquido que sale de la batería puede causar irritación o quemaduras.

- **No utilice una batería o un aparato que esté dañado o modificado.** Las baterías dañadas o modificadas pueden tener un comportamiento impredecible que puede causar incendio, explosión o riesgo de lesiones.
- **No exponga una batería o un aparato al fuego o a una temperatura excesiva. La exposición al fuego o a una temperatura por encima de 130 °C (265 °F) puede causar una explosión.**
- **Siga todas las instrucciones de carga y no cargue la batería ni el dispositivo fuera del rango de temperatura especificado en las instrucciones.** La carga incorrecta o a temperaturas fuera del rango especificado puede dañar la batería y aumentar el riesgo de incendio.
- **El mantenimiento debe ser realizado por un técnico calificado utilizando solo piezas de repuesto idénticas.** Esto garantizará que se respete la seguridad del producto.
- **No modifique ni intente reparar el aparato o la batería, excepto como se indica en las instrucciones de uso y de cuidados.**
- **No tire la(s) batería(s) al fuego para desecharlas.** La celda puede explotar. Consulte los códigos locales para conocer posibles instrucciones especiales de desecho.
- **No rompa la(s) carcasa(s) de la(s) batería(s) ni intente abrirla(s).** El electrolito liberado es corrosivo y puede causar daños en los ojos o la piel. Puede ser tóxico si se ingiere.
- **No cargue la batería bajo la lluvia o en lugares húmedos.**
- **No manipule el cargador, incluido el enchufe del cargador, y los terminales del cargador con las manos húmedas.**
- **No cargue la batería en la intemperie.**

Instrucciones de seguridad importantes para el cartucho de batería

1. **Antes de usar el cartucho de batería, lea todas las instrucciones y marcas de precaución en (1) el cargador de la batería, (2) la batería y (3) el producto que usa la batería.**
2. **No desmonte el cartucho de la batería.**
3. **Si el tiempo de funcionamiento se ha vuelto excesivamente más corto, deje de operar el aparato de inmediato. Puede haber un riesgo de sobrecalentamiento, posibles quemaduras e incluso una explosión.**
4. **Si el electrolito le entra en los ojos, enjuáguese los con agua potable y busque atención médica de inmediato. Podría producirse pérdida de la visión.**
5. **No provoque cortocircuitos en el cartucho de la batería:**
 - (1) **No toque los terminales con ningún material conductor.**

- (2) Evite almacenar el cartucho de la batería en un recipiente con otros objetos metálicos como clavos, monedas, etcétera.
- (3) No exponga el cartucho de la batería al agua o a la lluvia.

Un cortocircuito en la batería puede causar un gran flujo de corriente, sobrecalentamiento, posibles quemaduras e incluso una avería.

6. No almacene la herramienta ni el cartucho de la batería en lugares donde la temperatura pueda alcanzar o superar los 50 °C (122 °F).
7. No incinere el cartucho de la batería aunque esté gravemente dañado o esté completamente desgastado. El cartucho de la batería puede explotar en caso de incendio.
8. Tenga cuidado de no dejar caer o golpear la batería.
9. No utilice una batería dañada.
10. Las baterías de iones de litio contenidas están sujetas a los requisitos de la legislación sobre mercancías peligrosas.

En los transportes comerciales, por ejemplo, por terceros, deben observarse requisitos especiales en el embalaje y el etiquetado.

Para la preparación del artículo que se transporta, se requiere consultar a un experto en materiales peligrosos.

Por favor, observe también las regulaciones nacionales que, posiblemente, sean más detalladas.

Tape o enmascare los contactos abiertos y empaque la batería de tal manera que no pueda moverse en el embalaje.

11. Cuando deseche el cartucho de batería, retirelo del aparato y deséchelo en un lugar seguro. Siga las normas locales relativas al desecho de la batería.
12. Utilice las baterías únicamente con los productos especificados por Makita. La instalación de las baterías en productos que incumplen las normas puede provocar incendios, calor excesivo, una explosión o una fuga de electrolitos.
13. Si el aparato no se utiliza durante un largo período, la batería debe retirarse del aparato.

GUARDE ESTAS INSTRUCCIONES.

⚠ PRECAUCIÓN: Use únicamente las baterías originales Makita. El uso de baterías Makita no originales, o de baterías que hayan sido alteradas, puede causar la explosión de la batería, incendios, lesiones personales y daños. También anulará la garantía de Makita para la herramienta y el cargador.

Consejos para conservar la máxima duración de la batería

1. Cargue el cartucho de la batería antes de que se descargue por completo. Detenga siempre el funcionamiento de la herramienta y cargue el cartucho de la batería cuando observe menos potencia en la herramienta.

2. Nunca recargue un cartucho de batería completamente cargado. La sobrecarga acorta la vida útil de la batería.
3. Cargue el cartucho de la batería a temperatura ambiente a 10 °C - 40 °C (50 °F - 104 °F). Si el cartucho de batería está caliente permita que se enfríe antes de cargarlo.
4. Cargue el cartucho de batería si no lo utiliza durante un período prolongado (más de seis meses).

Precaución de la FCC

de los Estados Unidos

Este dispositivo cumple con la Parte 15 de las Reglas de la FCC. La manipulación está sujeta a las dos condiciones siguientes:

(1) que este dispositivo no cause interferencias dañinas, y (2) que este dispositivo acepte cualquier interferencia recibida, incluida la interferencia que pueda causar un funcionamiento no deseado.

Los cambios o las modificaciones no aprobados expresamente por la parte responsable del cumplimiento podrían anular la autoridad del usuario para operar el equipo.

Nota: este equipo ha sido probado y se ha comprobado que cumple con los límites para un dispositivo digital de Clase B, de conformidad con la parte 15 de las Reglas de la FCC. Estos límites están diseñados para proporcionar una protección razonable contra interferencias dañinas en una instalación residencial. Este equipo genera, utiliza y puede irradiar energía de radiofrecuencia y, si no se instala y utiliza de acuerdo con las instrucciones, puede causar interferencias dañinas en las comunicaciones radioeléctricas. Sin embargo, no hay garantía de que no se produzcan interferencias en una instalación en particular. Si este equipo causa interferencias perjudiciales en la recepción de radio o televisión, que se pueden determinar apagando y encendiendo el equipo, se recomienda al usuario que intente corregir la interferencia mediante una o más de las siguientes medidas:

- Reoriente o reubique la antena receptora.
- Aumente la separación entre el equipo y el receptor.
- Conecte el equipo a una toma de corriente en un circuito diferente al que está conectado el receptor.
- Consulte al distribuidor o a un técnico de radio/TV con experiencia para obtener ayuda.

Estándar ICES-005

Para Canadá
CAN ICES-005(B)/NMB-005(B)

DESCRIPCIÓN FUNCIONAL

⚠ PRECAUCIÓN: Asegúrese siempre de que la herramienta esté apagada y de que el cartucho de la batería se extraiga antes de ajustar o comprobar la función de la herramienta.

Instalación o extracción del cartucho de la batería (Fig. 1)

⚠ PRECAUCIÓN: Apague siempre la herramienta antes de extraer el cartucho de batería.

⚠ PRECAUCIÓN: Sujete firmemente la herramienta y el cartucho de batería al instalar o extraer el cartucho de batería. Si no se sujetan la herramienta y el cartucho de batería firmemente, es posible que se les escape de las manos y se dañen la herramienta y el cartucho de batería y ocurra una lesión personal.

Para extraer el cartucho de batería, deslícelo de la herramienta mientras desliza el botón en la parte frontal del cartucho.

Para instalar el cartucho de batería, alinee la lengüeta del cartucho de batería con la ranura de la carcasa y deslícela hasta que quede en su lugar. Insértela hasta que quede fija en su lugar y escuche un breve clic. Si puede ver el indicador rojo en la parte superior del botón, no está completamente fija.

⚠ PRECAUCIÓN: Instale siempre el cartucho de batería completamente hasta que no se pueda ver el indicador rojo. Si no es así, puede caerse accidentalmente de la herramienta y causar lesiones a usted o a alguien a su alrededor.

⚠ PRECAUCIÓN: No instale el cartucho de batería por la fuerza. Si el cartucho no se desliza fácilmente, no se está insertando correctamente.

Indicación de la capacidad restante de la batería (Fig. 2)

Solo para cartuchos de batería con el indicador

Presione el botón de verificación del cartucho de batería para indicar la capacidad restante de la batería. Las luces indicadoras se encienden durante unos segundos.

Lámparas indicadoras			Capacidad restante
Iluminado	Apagado	Parpadeando	
			75 % a 100 %
			0 % a 25 %
			Cargue la batería.
			Es posible que la batería no haya funcionado correctamente.

AVISO: Dependiendo de las condiciones de uso y la temperatura ambiente, la indicación puede diferir levemente de la capacidad real.

Encendido de la luz (Fig. 3)

⚠ PRECAUCIÓN: No mire a la luz ni a la fuente de luz directamente.

Presione el botón de encendido para encender la luz. Para apagar la luz, vuelva a presionar el botón de encendido.

AVISO: El dispositivo se enciende en el mismo modo que el del último ajuste.

Selección del modo

Cuando la luz esté encendida, pulse el botón **MODE** (modo) para rotar por los ajustes de **punto**, **inundación** y **punto + inundación**.

Encendido de la iluminación estroboscópica (Fig. 4)

Mantenga presionado el botón **MODE** hasta que el dispositivo pase al modo **estroboscópico**. Para desactivar el modo **estroboscópico**, simplemente presione el botón **MODE**.

Sistema de protección de la batería

La herramienta está equipada con el sistema de protección, que corta automáticamente la potencia de salida para una larga vida útil. La luz se apaga durante el funcionamiento cuando la capacidad restante de la batería es baja. Esto es causado por la activación del sistema de protección y no es indicio de un problema. Retire el cartucho de batería de la herramienta y cárguelo.

Ángulo de la cabeza (Fig. 5)

⚠ PRECAUCIÓN: Al cambiar el ángulo de la cabeza, tenga cuidado de no pellizcarse los dedos entre la cabeza y el cuerpo de la herramienta.

El ángulo de la cabeza se puede ajustar en 4 modos.

Gancho (Fig. 6)

⚠ PRECAUCIÓN: Al levantar el gancho, tenga cuidado de no pellizcarse los dedos entre el gancho y el cuerpo de la herramienta.

Correa de hombro (Fig. 7)

La correa de hombro se puede instalar con los clips en ambos extremos.

MANTENIMIENTO

⚠ PRECAUCIÓN: Asegúrese siempre de que la herramienta esté apagada y de que el cartucho de batería se retire antes de intentar realizar una inspección o mantenimiento.

AVISO: Nunca use gasolina, benceno, diluyente, alcohol o productos similares. Pueden producirse decoloración, deformación o grietas.

Para mantener la SEGURIDAD y la CONFIABILIDAD del producto, las reparaciones y cualquier otro mantenimiento o ajuste deben ser realizados por los Centros autorizados o de Servicio de fábrica de Makita, siempre usando piezas de reemplazo de Makita.

ACCESORIOS OPCIONALES

⚠ PRECAUCIÓN: Estos accesorios o elementos anexos son recomendados para su uso con su herramienta Makita especificado en este manual. El uso de cualquier otro accesorio o elemento anexo podría presentar un riesgo de lesiones para las personas. Utilice únicamente los accesorios para el propósito indicado.

Si necesita ayuda para obtener más detalles con respecto a estos accesorios, pregunte a su Centro de Servicio de Makita local.

- Batería y cargador genuinos de Makita

AVISO: Algunos elementos de la lista pueden incluirse en el paquete de la herramienta como accesorios estándares. Pueden diferir de un país a otro.

GARANTÍA LIMITADA DE MAKITA

Consulte la hoja de garantía adjunta para conocer los términos de garantía más actuales que aplican a este producto. Si la hoja de garantía anexa no está disponible, consulte los detalles de la garantía detallados en el siguiente sitio web para su país respectivo.

Estados Unidos de América: www.makitatools.com

Canadá: www.makita.ca

Otros países: www.makita.com

Makita Corporation

3-11-8, Sumiyoshi-cho,
Anjo, Aichi 446-8502 Japan

DML812-NA3-2111

www.makita.com

GER