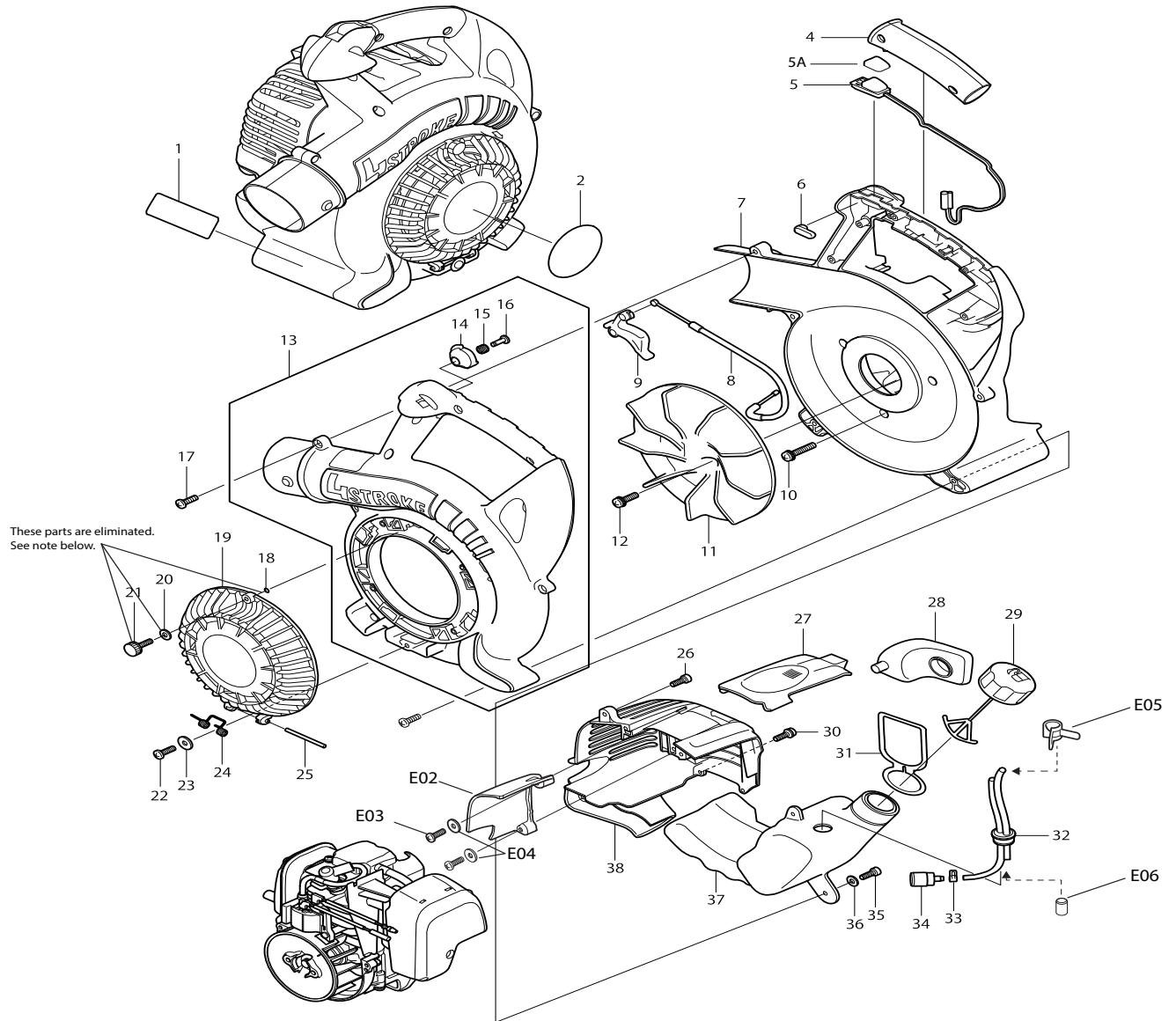
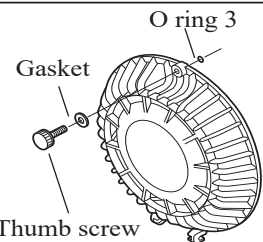
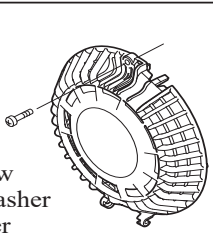




PARTS BREAKDOWN
BHX2500CA
PB-251.4



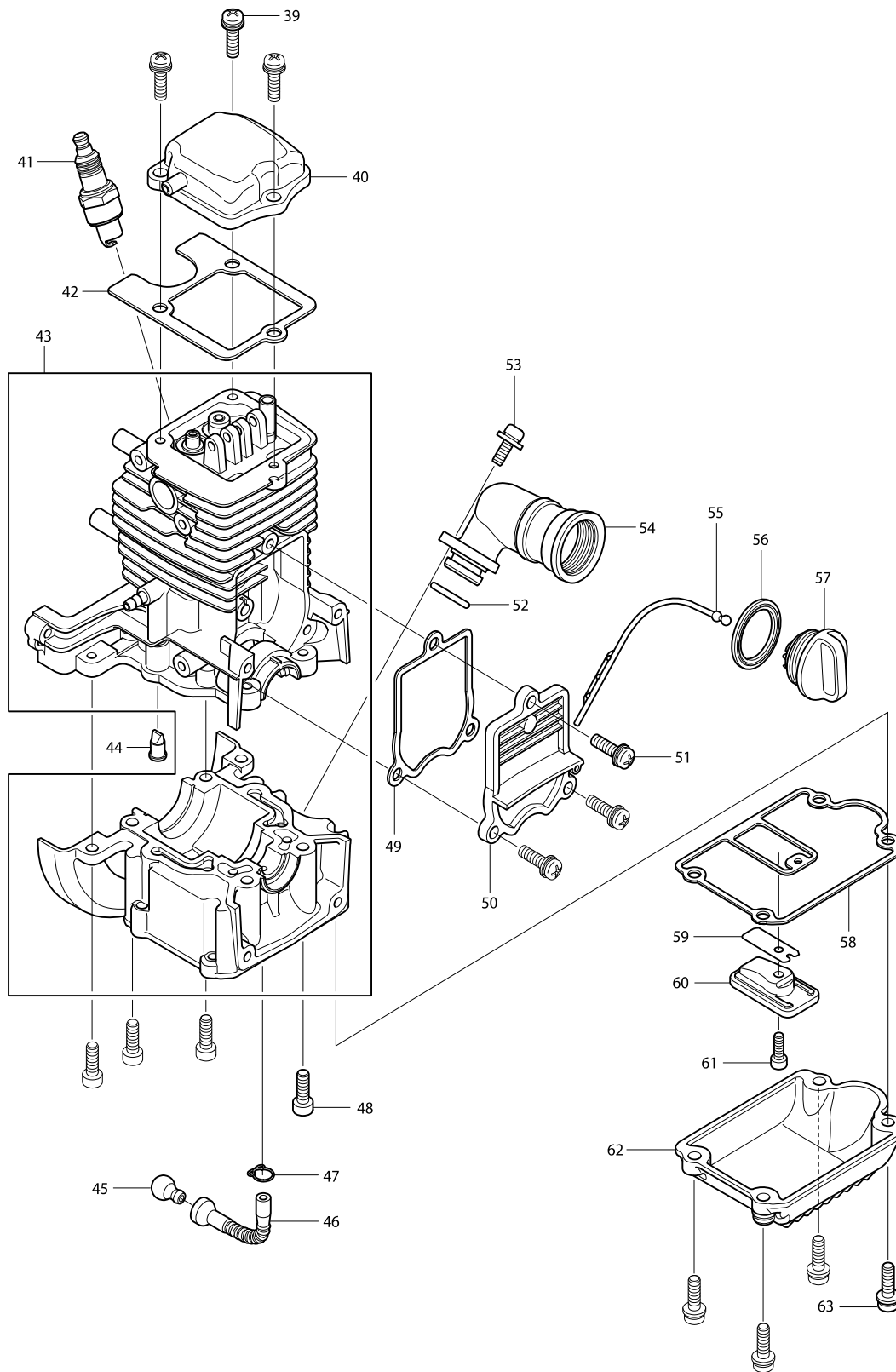
► Current	► New
<p>Change from M4 Thumb screw, Gasket and O ring 3 to M4x25 Pan head screw with spring washer and flat washer</p>  <p>O ring 3 Gasket M4 Thumb screw</p>	 <p>M4x25 Pan head screw with spring washer and flat washer</p>

Products with multiple versions are listed in subsiding order with the newest version on top not indented.

Fig. No.	Part No.	Description	BHX2500CA	PB-251.4	Tech Bulletin	Notes
1	1	892460-8	CAUTION LABEL	1	1	
1	4	273665-3	GRIP, BHX2500	1	1	
1	5	638640-0	SWITCH CPL., BHX2500	1	1	
1	5A	453639-2	SWITCH KNOB, BHX2500	1	1	
1	6	424182-8	FRICTION RUBBER, BHX2500	1	1	
1	7	455202-7	VOLUTE CASE R, BHX2500	1	1	B0024 Requires 455203-5 and 123297-5
1	8	168518-8	CONTROL CABLE, BHX2500	1	1	
1	9	455203-5	THROTTLE LEVER	1	1	B0024 Requires 455202-7 and 123297-5
1	10	911253-5	P.H. SCREW M5X30	2	2	
1	11	240113-7	IMPELLER, BHX2500	1	1	
1	12	265584-7	SCREW ASSEMBLY	2	2	
1	12	004-36062-00	SCREW ASSEMBLY	2	2	
1	13	126899-6	VOLUTE CASE L ASS'Y, BHX2500	1	1	C0985 Includes 253874-0
1	14	455882-9	CRUISE LEVER, BHX2500	1	1	
1	15	234314-7	COMPRESSION SPRING 7, BHX2500 1	1	1	
1	16	266870-9	TAPPING SCREW 4X16, BHX2500	1	1	
1	17	265878-0	TAPPING SCREW BIT 5X16	9	9	
1	18	213022-3	O RING 3	1	1	A5562
1	19	660-15027-05	PROTECTOR, BHX2500	1	1	
1	20	424180-2	RUBBER WASHER	0	0	A5562
1	21	911148-2	P.H. SCREW M4X25, 5057KB	1	1	A5562
1	21	265782-3	THUMB SCREW, BHX2500CA	1	1	
1	22	265878-0	TAPPING SCREW BIT 5X16	1	1	
1	23	267394-8	FLAT WASHER 5, BHX2500	1	1	
1	24	233536-6	SPRING RBL250	1	1	
1	25	268230-1	SHAFT RBL250	1	1	
1	26	265878-0	TAPPING SCREW BIT 5X16	3	3	
1	27	450964-2	PLUG COVER	1	1	
1	28	424395-1	OIL GUARD, BHX2500	1	1	A5562
1	28	424181-0	OIL GUARD, BHX2500	1	1	
1	28	592-65016-00	OIL GUARD	1	1	
1	29	125472-9	FUEL TANK CAP ASSEMBLY	1	1	
1	30	911128-8	P.H. SCREW M4X16	2	2	
1	31	810455-9	CAUTION PLATE, EM2650LH	1	1	

Products with multiple versions are listed in subsiding order with the newest version on top not indented.

Section	Fig. No.	Part No.	Description	BHX2500CA	PB-251.4	Tech Bulletin	Notes
1	32	168772-4	TUBE CPL.	1	1		
1	32	158911-4	TUBE CPL., BHX2500	1	1		
1	33	345920-4	HOSE CLAMP	1	1		
1	34	163447-0	FILTER RBL500	1	1		
1	34	523-65039-00	FILTER RBL500	1	1		
1	35	265878-0	TAPPING SCREW BIT 5X16	3	3		
1	36	267394-8	FLAT WASHER 5, BHX2500	3	3		
1	36	003-12050-03	WASHER, BHX2500	3	3		
1	37	123674-1	FUEL TANK, BHX2500CA	1	1		
1	37	454006-4	FUEL TANK, BHX2500CA	1	1		
1	37	450987-0	FUEL TANK, BHX2500CA	1	1		
1	38	452630-7	ENGINE COVER, BHX2500	1	1		
1	38	665-65003-00	ENGINE COVER	1			
1	38	452671-3	ENGINE COVER, PB-251.4		1		NO LONGER AVAILABLE
1	E02	452605-6	INNER COVER	1	1	A5562	
1	E03	265995-6	TAPPING SCREW 4X18	2	2	A5562	
1	E04	941051-3	F. WASHER 4	2	2	A5562	
1	E05	345920-4	HOSE CLAMP	1	1	A5562	
1	E06	332138-6	TUBE	1	1	A5562	

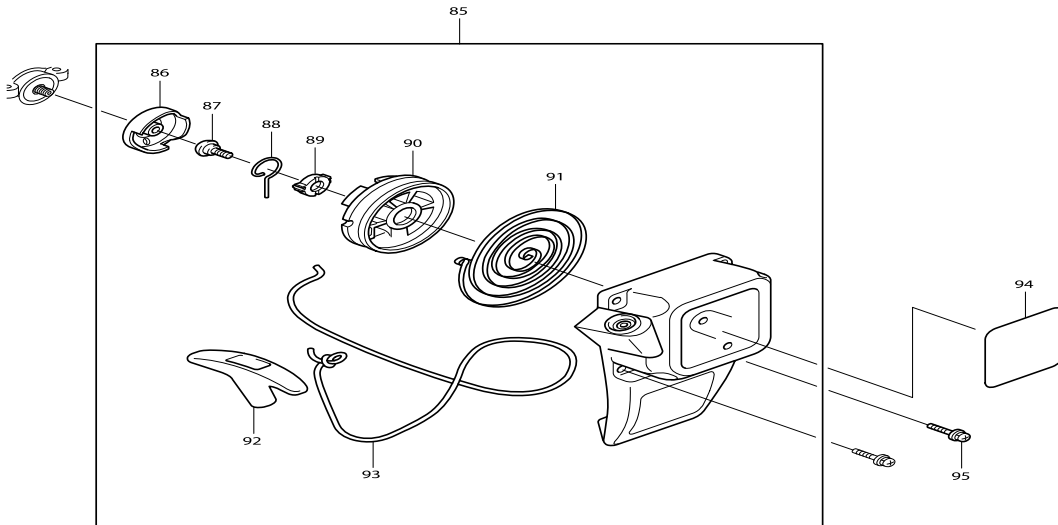
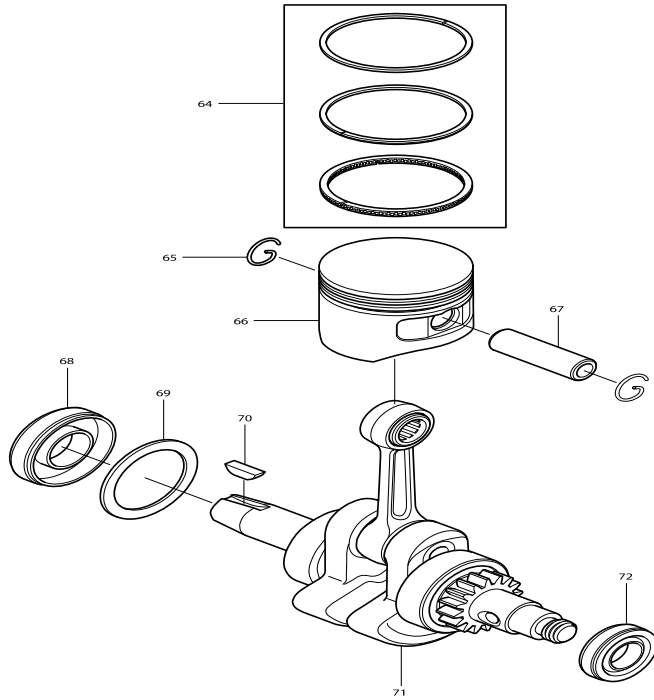


Products with multiple versions are listed in subsiding order with the newest version on top not indented.

Section	Fig. No.	Part No.	Description	BHX2500CA	PB-251.4	Tech Bulletin	Notes
2	39	922223-9	H.S.H. BOLT M5X16 WITH WR	4	4		
2	39	011-90595-31	SOCKET HEAD BOLT M5X16	4	4		
2	40	140B46-7	ROCKER COVER CPL.	1	1		
2	40	140023-7	ROCKER COVER CPL.	1	1		
2	40	592-10040-01	ROCKER COVER CPL.	1	1		
2	41	168401-9	SPARK PLUG	1	1		NGK CMR6A .030
2	42	162275-0	ROCKER COVER GASKET, BHX2500	1	1		
2	42	592-15008-00	ROCKER COVER GASKET	1	1		
2	43	125914-3	CYLINDER BLOCK ASS'Y, BHX2500	1	1		
2	43	592-10110-02	CYLINDER BLOCK SET	1	1	Y05396	
2	43	592-10110-01	CYLINDER BLOCK SET	1	1		
2	44	424201-0	CHECK VALVE	2	2		
2	45	325666-8	OIL WEIGHT	1	1		
2	45	592-65003-00	OIL WEIGHT	1	1		
2	46	592-65002-00	OIL TUBE	1	1		
2	47	282020-8	HOSE CLAMP, EM2650LH	1	1		
2	48	266811-5	S.H. BOLT M5X14	8	8		
2	48	011-90595-10	S.H. BOLT M5X14	8	8		
2	49	162274-2	CAMGEAR COVER GASKET	1	1		
2	49	592-15007-00	CAMGEAR COVER GASKET	1	1		
2	50	318443-5	CAMGEAR COVER	1	1		
2	50	592-15005-02	CAMGEAR COVER	1	1		
2	51	922216-6	SCREW M5X14	3	3		
2	51	266811-5	SCREW M5X14	3	3	Y05865	
2	51	011-90595-10	SCREW M5X14	3	3	Y05610	
2	51	004-36051-40	SCREW M5X14	3	3		
2	52	213591-4	O RING 14, BHX2500	1	1		
2	52	024-01399-50	O RING	1	1		
2	53	004-36051-20	SCREW ASSEMBLY M5X12	1	1		
2	54	140813-8	OIL PIPE CPL., BHX2500	1	1		
2	54	592-60210-00	OIL PIPE CPL.	1	1		
2	55	452610-3	OIL GAUGE, BHX2500	1	1		
2	55	592-65017-00	OIL GAUGE	1	1		

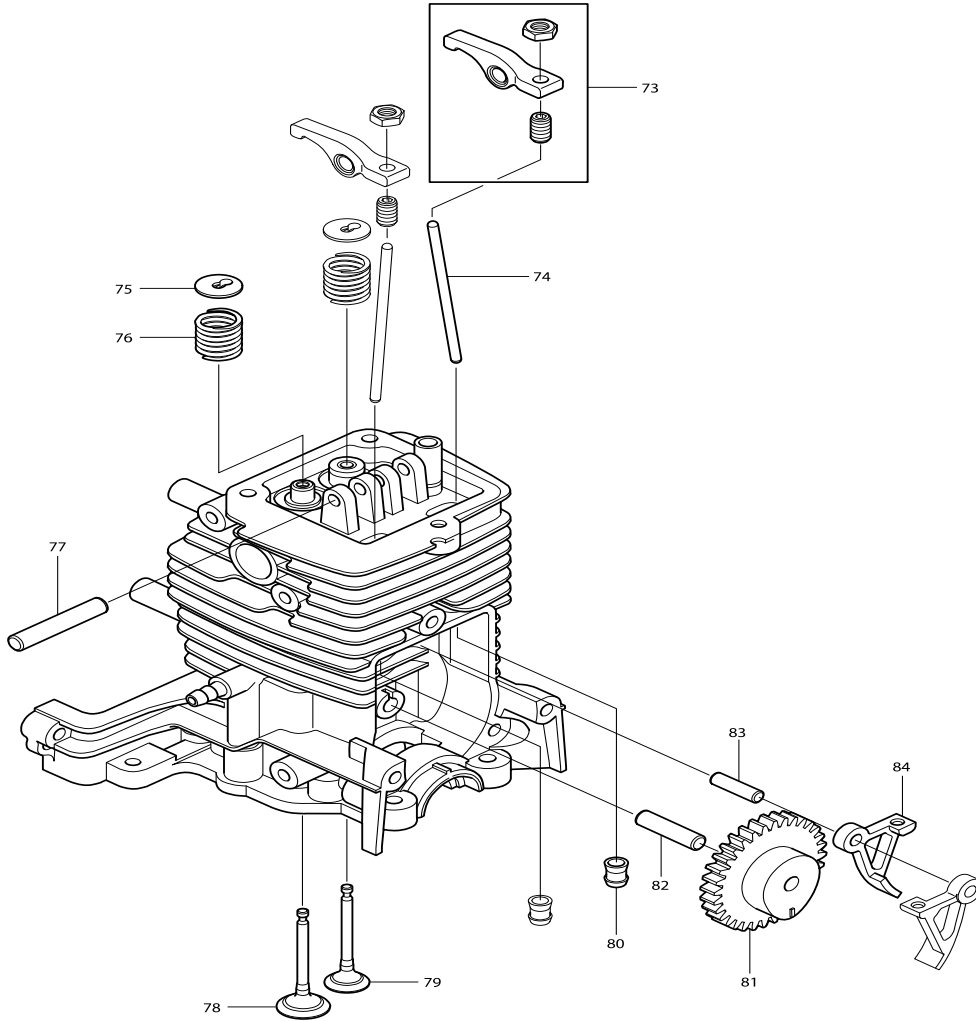
Products with multiple versions are listed in subsiding order with the newest version on top not indented.

Section	Fig. No.	Part No.	Description	BHX2500CA	PB-251.4	Tech Bulletin	Notes
2	56	424343-0	GASKET, EM2650LH	1	1		
2	56	021-32299-90	GASKET BHX2500	1	1		
2	57	452047-4	OIL CAP, EM2650LH	1	1		
2	58	162276-8	CASE GASKET	1	1		
2	58	592-65001-00	CASE GASKET	1	1		
2	59	346083-9	LEAD VALVE	1	1		
2	59	592-15010-00	LEAD VALVE, EM4251	1	1		
2	60	592-15011-00	RETAINER PLATE	1	1		
2	61	922112-8	H.S.H. BOLT M4X10, BO5001	1	1	91157	
2	62	318442-7	OIL CASE	1	1		
2	62	592-65000-00	OIL CASE	1	1		
2	63	266811-5	S.H. BOLT M5X14, EM4251	4	4		
2	63	011-90595-10	S.H. BOLT M5X14, EM4251	4	4	Y05404	
2	63	004-36051-80	SCREW ASSEMBLY	4	4		

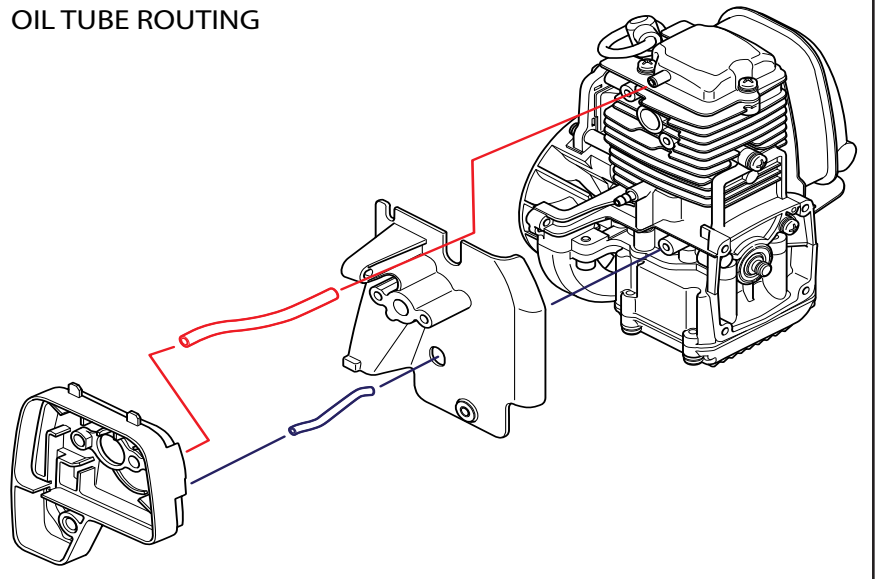


Products with multiple versions are listed in subsiding order with the newest version on top not indented.

Section	Fig. No.	Part No.	Description	BHX2500CA	PB-251.4	Tech Bulletin	Notes
3	64	195145-8	PISTON RING SET, EM4251	1	1		
3	65	233976-8	CLIP RST250	2	2		
3	65	056-50899-70	CLIP RST250	2	2		
3	66	592-25009-00	PISTON EM4251	1	1		
3	67	257781-9	PISTON PIN, EM2650LH	1	1		
3	68	213147-3	OIL SEAL (L)	1	1		
3	68	044-01299-60	OIL SEAL (L)	1	1		
3	69	267400-9	CLIP EM4251	1	1		
3	69	542-15005-00	CLIP EM4251	1	1		
3	70	254040-2	WOODRUFF KEY 3, EM2650LH	1	1		
3	71	135539-5	CRANKSHAFT ASS'Y	1	1		
3	71	592-20030-00	CRANKSHAFT ASS'Y	1	1		
3	72	213769-9	OIL SEAL, 10	1	1		
3	72	213148-1	OIL SEAL (S)	1	1		
3	72	044-01099-70	OIL SEAL (S)	1	1		
3	85	125917-7	STARTER COVER ASS'Y, BHX2500	1	1		
3	85	592-50010-02	STARTER COVER ASS'Y	1	1		
3	86	168483-1	PULLEY, EM2650LH	1	1		
3	86	519-55000-00	PULLEY RBC201	1	1		
3	87	266585-8	TAPPING SCREW 5X12	1	1		
3	88	325923-4	SWING ARM, EM2650LH	1	1		
3	89	451938-6	COLLAR, EM2650LH	1	1		
3	90	451937-8	REEL, EM2650LH	1	1		
3	91	232258-5	SPIRAL SPRING, EM2650LH	1	1		
3	92	424319-7	STARTER KNOB, EM2650LH	1	1		
3	93	444019-3	STARTER ROPE	1	1		
3	93	592-50010-50	STARTER ROPE	1	1		
3	95	911128-8	P.H. SCREW M4X16	2	2		



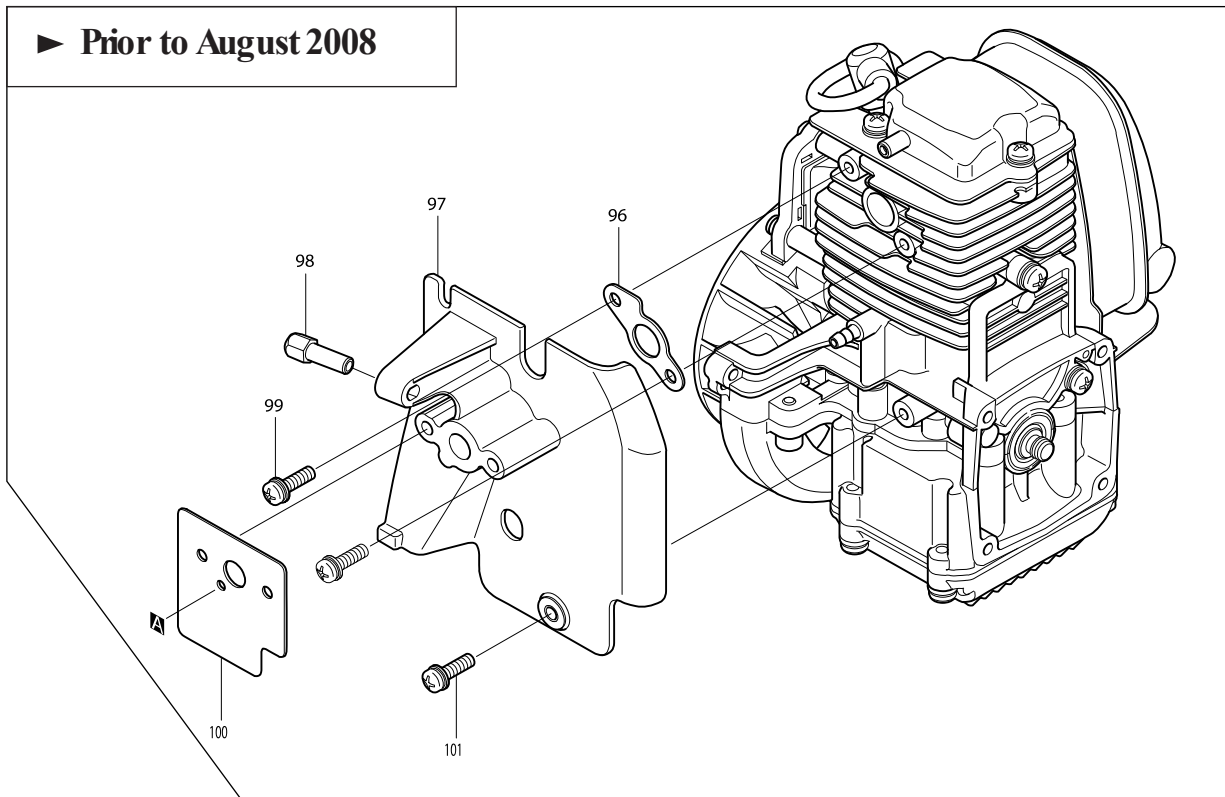
OIL TUBE ROUTING



Products with multiple versions are listed in subsiding order with the newest version on top not indented.

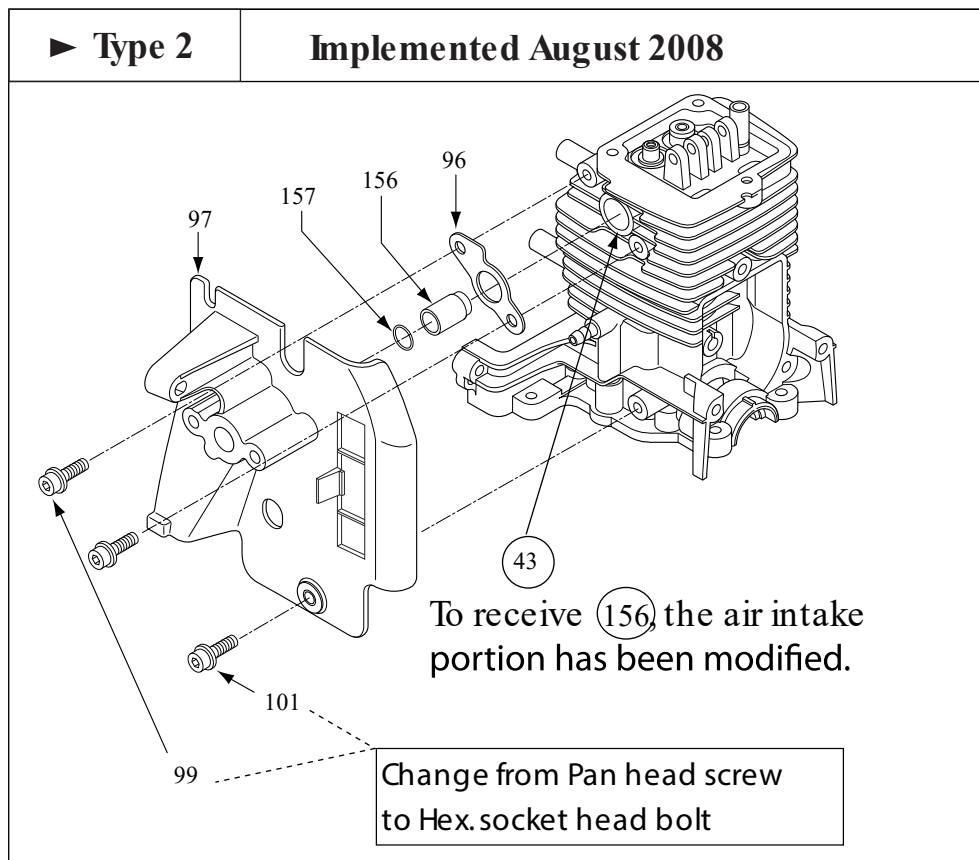
Section	Fig. No.	Part No.	Description	BHX2500CA	PB-251.4	Tech Bulletin	Notes
4	73	125554-7	ROCKER ARM ASS'Y	2	2		
4	73	593-30020-00	ROCKER ARM ASS'Y	2	2		
4	74	256865-0	PUSH ROD	2	2		
4	74	592-35007-00	PUSH ROD	2	2		
4	75	325668-4	SPRING RETAINER	2	2		
4	75	592-35013-00	SPRING RETAINER	2	2		
4	76	234108-0	VALVE SPRING	2	2		
4	76	592-35012-00	VALVE SPRING	2	2		
4	77	256200-2	PIN 5	1	1		
4	78	326367-1	INTAKE VALVE	1	1		
4	78	325670-7	INTAKE VALVE	1	1		
4	78	592-35015-00	INTAKE VALVE	1	1		
4	79	325669-2	EXHAUST VALVE	1	1		
4	79	592-35014-00	EXHAUST VALVE	1	1		
4	80	424200-2	SPACER, EM2650LH	2	2		
4	81	125552-1	CAM GEAR ASSEMBLY	1	1		
4	81	593-30030-00	CAM GEAR ASSEMBLY	1	1		
4	82	268238-5	CAM GEAR SHAFT	1	1		
4	82	592-35005-01	CAM GEAR SHAFT	1	1		
4	83	268239-3	CAM LIFTER SHAFT	1	1		
4	83	592-35006-00	CAM LIFTER SHAFT	1	1		
4	84	313169-4	CAM LIFTER	2	2		
4	84	592-35000-01	CAM LIFTER	2	2		

► Prior to August 2008



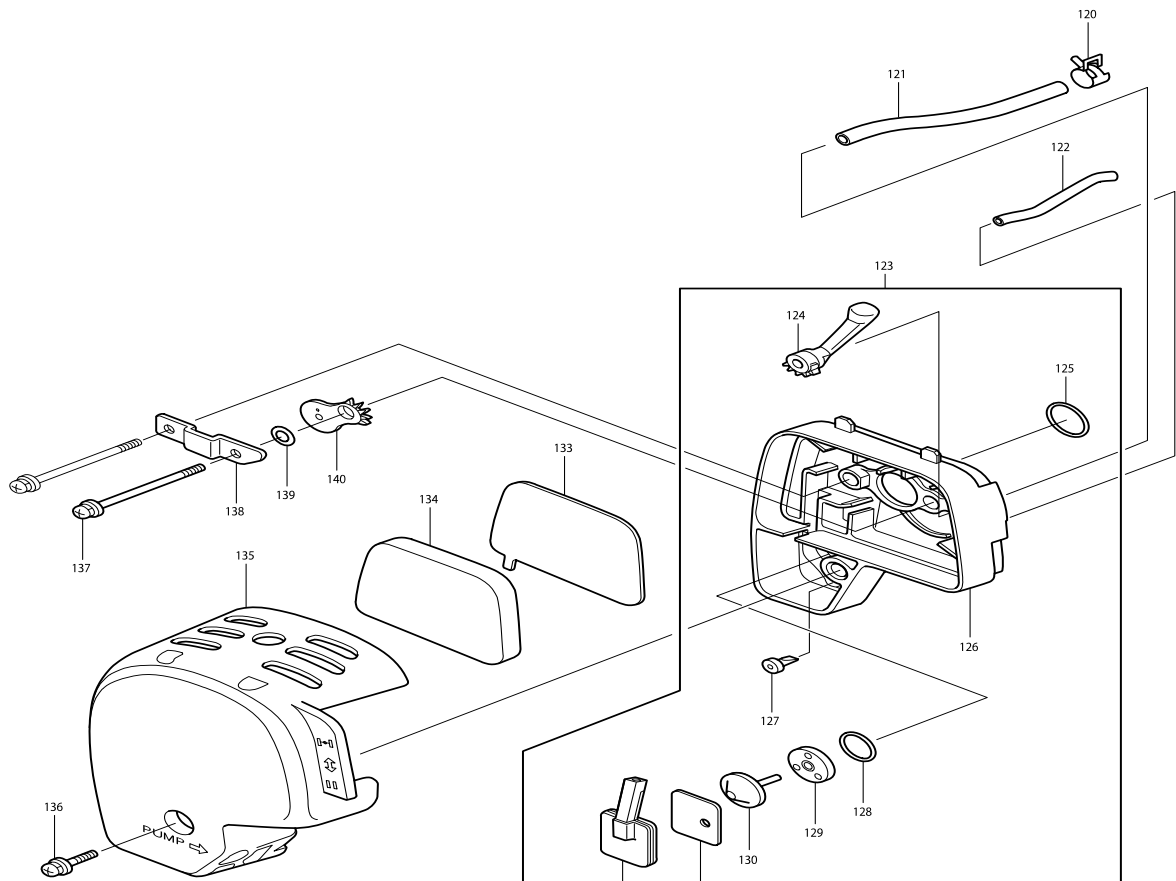
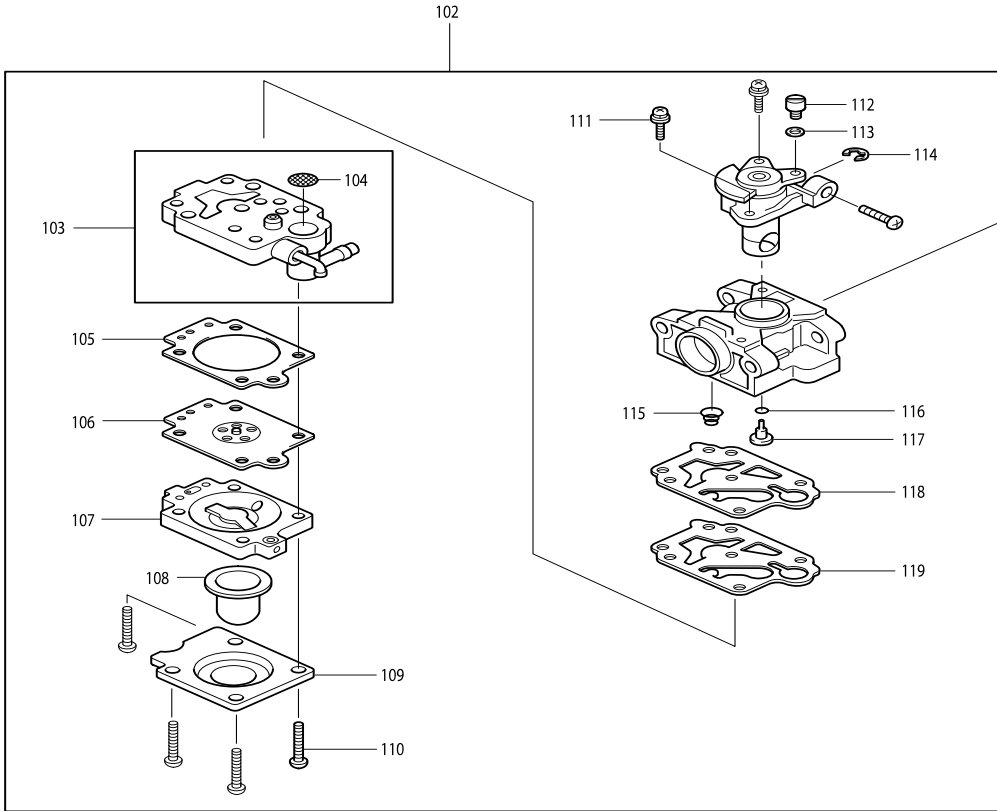
► Type 2

Implemented August 2008



Products with multiple versions are listed in subsiding order with the newest version on top not indented.

Section	Fig. No.	Part No.	Description	BHX2500CA	PB-251.4	Tech Bulletin	Notes
5	43	125914-3	CYLINDER BLOCK ASS'Y, BHX2500	1	1		
5	96	413120-5	INSULATOR GASKET	1	1		
5	96	592-35047-00	INSULATOR GASKET	1	1	Y05396	
5	97	125916-9	INSULATOR ASS'Y, BHX2500	1	1		
5	97	592-30180-00	INSULATOR CPL.	1	1	Y05396	
5	97	592-30130-00	INSULATOR CPL.	1	1		
5	98	325934-9	ADJUST SCREW M6X16	1	1		
5	98	014-90699-72	ADJUST SCREW M6X16	1	1		
5	99	922228-9	H.S.H. BOLT M5X18 WITH WR, EM2650LH	2	2		
5	99	011-90598-70	SOCKET HEAD BOLT, RBC230	2	2		
5	100	413121-3	CARBURETOR GASKET, EM4250	1	1		
5	100	592-35040-00	CARBURETOR GASKET, EM4250	1	1		
5	101	922213-2	SCREW M5X14, M5X14	1	1		
5	101	004-36051-40	SCREW M5X14, M5X14	1	1		
5	101	011-90597-80	S.H. BOLT M5X12, RBC230	1	1	Y05396	
5	156	324961-3	INTAKE PIPE,BHX2500	1	1	Y05396	
5	156	592-35046-00	INTAKE PIPE,BHX2500	1	1	Y05396	
5	157	213078-6	O-RING 10	1	1	88468	

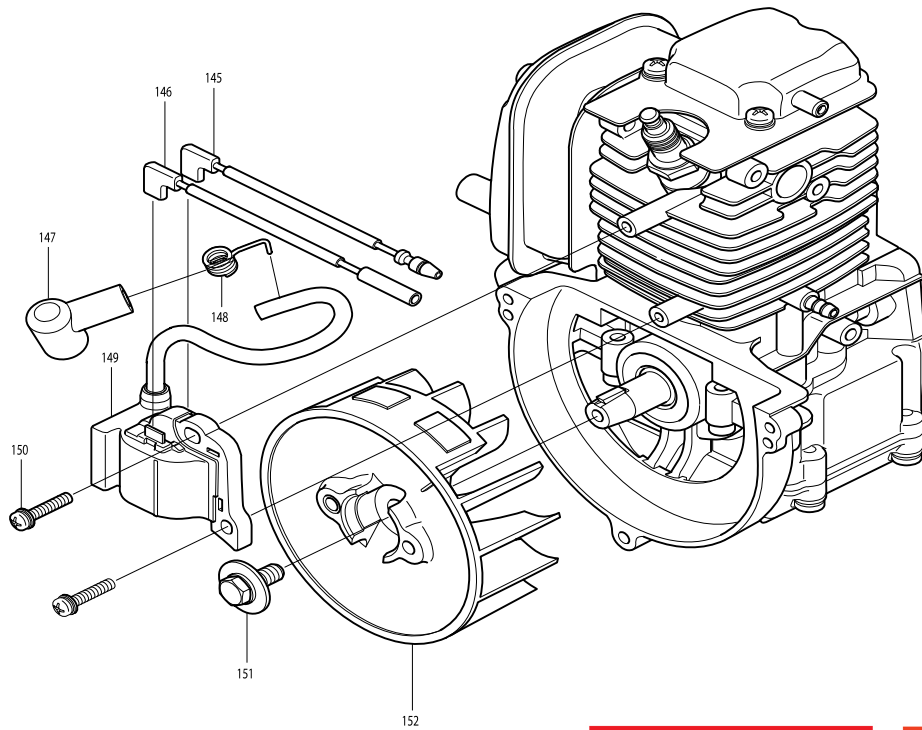
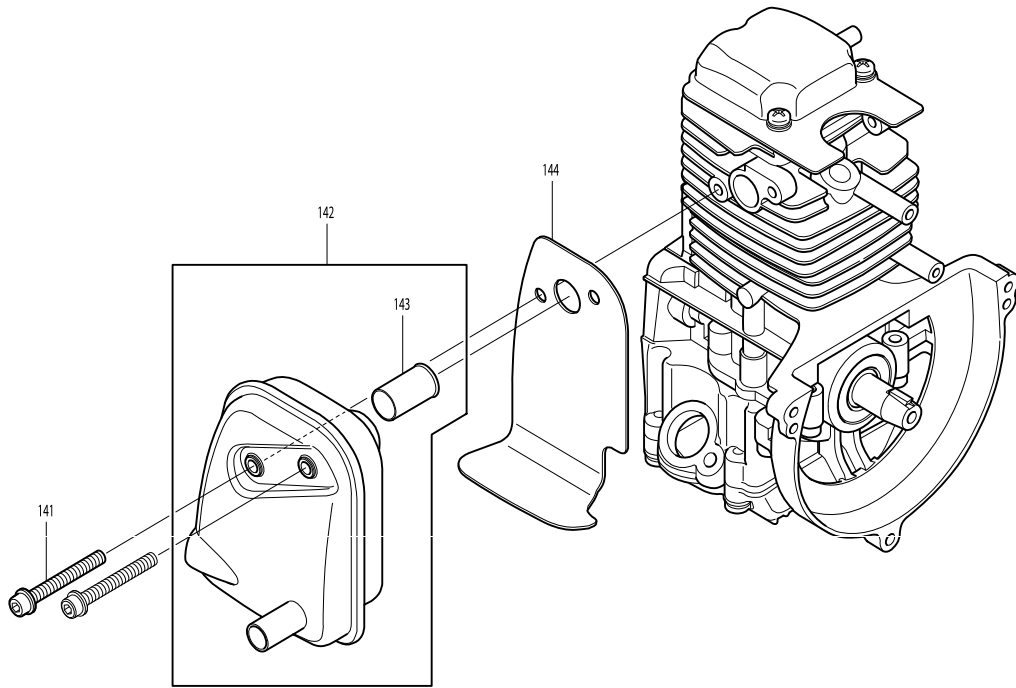


Products with multiple versions are listed in subsiding order with the newest version on top not indented.

Section	Fig. No.	Part No.	Description	BHX2500CA	PB-251.4	Tech Bulletin	Notes
6	102	168641-9	CARBURETOR, BHX2500	1	1		
6	103	593-60250-10	BODY ASS'Y PUMP	1	1	Y05523	
6	104	352010-6	INLET SCREEN	1	1		
6	104	501-60040-10	INLET SCREEN, RBC230	1	1		
6	105	442154-1	METERING DIAPHRAGM GASKET	1	1		
6	106	168620-7	METERING DIAPHRAGM, EM2650LH	1	1		
6	106	526-60090-10	MASTERING DIAPHRAGM	1	1	Y05523	
6	107	140438-8	AIR PURGE BODY	1	1		
6	108	424314-7	PRIMER PUMP	1	1		
6	109	346270-0	PRIMER PUMP COVER	1	1		
6	109	523-60460-50	PRIMER PUMP COVER, EM4251	1	1		
6	110	266582-4	TAPPING SCREW 3X24	4	4		
6	111	266581-6	PAN HEAD SCREW M3X8, EM2650LH	2	2		
6	112	325922-6	SWIVEL	1	1		
6	113	413140-9	WASHER	1	1		
6	114	257964-1	STOP RING E-3	1	1		
6	115	234183-6	CONICAL COMPRESSION SPRING 5-9	1	1		
6	116	213538-8	O RING 2	1	1		
6	116	524-60010-10	O RING, RBC230	1	1		
6	117	525-60650-10	JET	1	1	Y05523	
6	117	519-60020-20	JET RBC201	1	1		
6	118	442155-9	PUMP GASKET	1	1		
6	118	592-60020-40	PUMP GASKET, EM4251	1	1		
6	119	WJ00009599	PUMP DIAPHRAGM	1	1		
6	119	168575-6	PUMP DIAPHRAGM	1	1		
6	120	345918-1	HOSE CLAMP, EM2650LH	1	1		
6	121	422041-0	BREATHER PIPE	1	1		
6	121	592-15009-00	BREATHER PIPE	1	1		
6	122	422070-3	PIPE, BHX2500	1	1		
6	122	593-35021-00	PIPE BHX2500	1	1		
6	123	125468-0	CLEANER PLATE ASS'Y, BHX2500	1	1		
6	123	593-30010-00	CLEANER PLATE ASSY	1	1		
6	124	451925-5	CHOKE LEVER, BHX2500	1	1		

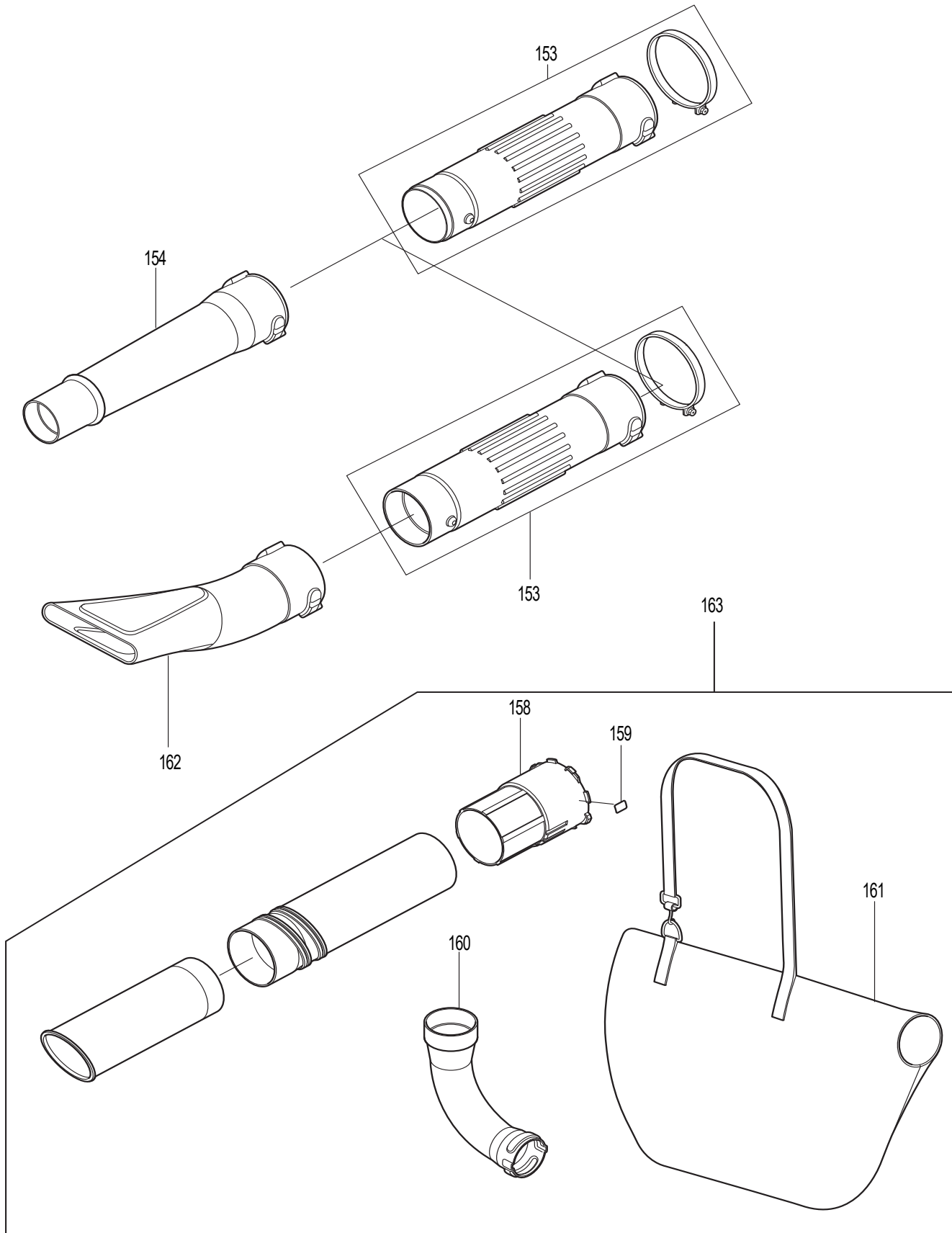
Products with multiple versions are listed in subsiding order with the newest version on top not indented.

Section	Fig. No.	Part No.	Description	BHX2500CA	PB-251.4	Tech Bulletin	Notes
6	125	213540-1	O RING 15, EM2650LH	1	1		
6	126	140814-6	AIR CLEANER PLATE	1	1		
6	126	593-30050-00	AIR CLEANER PLATE	1	1		
6	127	424316-3	CHECK VALVE	1	1		
6	128	213539-6	O RING 14, BHX2500	1	1		JAN 2018>
6	128	024-01399-70	O RING P14	1	1		>DEC 2017
6	129	451924-7	CHECK VALVE PLATE	1	1		
6	129	592-35025-00	CHECK VALVE PLATE	1	1		
6	130	424315-5	CHECK VALVE	1	1		
6	131	168577-2	SEPARATOR GASKET	1	1		
6	131	592-35035-00	SEPARATOR GASKET	1	1		
6	132	168576-4	SEPARATOR PLATE, BHX2500	1	1		
6	132	593-35016-00	SEPARATOR PLATE	1	1		
6	133	443140-5	AIR CLEANER ELEMENT,EM4250	1	1		
6	133	593-35009-00	AIR CLEANER ELEMENT	1	1		
6	134	443141-3	AIR CLEANER ELEMENT	1	1		
6	134	593-35012-00	AIR CLEANER ELEMENT	1	1		
6	135	450561-4	AIR CLEANER COVER,EM4250	1	1		
6	135	593-35008-00	AIR CLEANER COVER	1	1		
6	136	266809-2	SCREW M5X14	1	1		
6	136	014-00594-80	SCREW M5X14	1	1		
6	137	265188-5	SCREW M5X68(W SW)	2	2		
6	137	592-35031-00	SCREW M5X68(W SW)	2	2		
6	138	345919-9	PLATE EM4251	1	1		
6	138	592-35026-00	PLATE EM4251	1	1		
6	139	423376-2	GASKET RBC230	1	1		
6	139	021-30699-90	GASKET RBC230	1	1		
6	140	450560-6	CHOKE PLATE	1	1		
6	140	592-35023-01	CHOKE PLATE	1	1		



Products with multiple versions are listed in subsiding order with the newest version on top not indented.

Section	Fig. No.	Part No.	Description	BHX2500CA	PB-251.4	Tech Bulletin	Notes
7	141	266440-4	SOCKET HEAD BOLT	2	2		
7	141	011-90595-20	SOCKET HEAD BOLT	2	2		
7	142	168643-5	EXHAUST MUFFLER, BHX2500	1	1		
7	143	324980-9	SPARK ARRESTER, EM4251	1	1		
7	143	592-30080-11	SPARK ARRESTER	1	1		
7	144	592-35043-00	MUFFLER GASKET	1	1		
7	145	632F44-4	LEAD WIRE, BHX2500	1	1	B1493	Use with 168816-0 only
7	145	638709-0	LEAD WIRE, BHX2500	1	1		Use with 168501-5 only
7	145	592-70100-00	WIRE 1	1	1		
7	146	632F45-2	LEAD WIRE	1	1	B1493	Use with 168816-0 only
7	146	638710-5	LEAD WIRE	1	1		Use with 168501-5 only
7	147	424105-6	PLUG CAP	1	1		
7	148	324891-8	PLUG CAP SPRING	1	1		
7	148	065-40099-31	PLUG CAP SPRING,RBC221	1	1		
7	149	168816-0	IGNITION COIL, BHX2500	1	1	B1493	632F44-4 and 632F45-2
7	149	168501-5	IGNITION COIL, BHX2500	1	1		
7	149	592-70120-11	IGNITION COIL, BHX2500	1	1		
7	150	011-90499-70	SOCKET HEAD BOLT M4X20	2	2		
7	150	004-37042-00	SCREW ASS'Y M4X20	2	2		
7	151	265577-4	BOLT ASS'Y M6X16	1	1		
7	151	013-00699-40	BOLT ASS'Y M6X16	1	1		
7	152	319205-4	FLYWHEEL, BHX2500	1	1		
7	152	318702-7	FLYWHEEL, BHX2500	1	1		
7	152	592-75002-00	FLYWHEEL BHX2500	1	1		



Products with multiple versions are listed in subsiding order with the newest version on top not indented.

Section	Fig. No.	Part No.	Description	BHX2500CA	PB-251.4	Tech Bulletin	Notes
8	153	125729-8	NOZZLE ASSEMBLY	1	1	A5562	With clamp
8	153	450965-0	PIPE, BHX2500	1	1		
8	153	665-95040-00	EXTENSION PIPE, BHX2500	1	1		
8	154	450966-8	END PIPE, BHX2500	1	1		
8	154	665-95010-00	ROUND END NOZZLE	1	1		
8	158	660-95036-00	PIPE	1	1		
8	159	660-95048-00	MARK LABEL	1	1		
8	160	660-95028-01	ELBOW	1	1		
8	161	660-90510-00	DUST BAG	1	1		
8	162	457030-6	FLAT END PIPE, BHX2500	1	1		
8	162	451753-8	FLAT END PIPE, BHX2500	1	1		