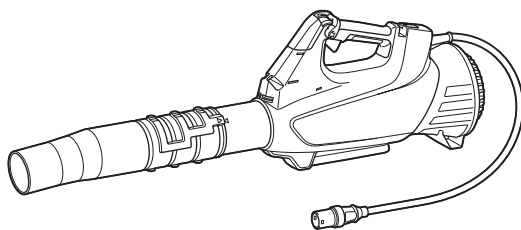


**INSTRUCTION MANUAL
MANUAL DE INSTRUCCIONES**



Battery Powered Blower Sopladora Alimentada a Batería

CBU01



IMPORTANT: Read Before Using.

IMPORTANTE: Lea antes de usar.

SPECIFICATIONS

Model:		CBU01
Capacities	Air volume	0 - 17.6 m ³ /min (0 - 622 cu.ft./min)
	Air speed (average)	0 - 58.0 m/s (0 - 130 MPH)
	Air speed (max.)	0 - 70.0 m/s (0 - 157 MPH)
Overall length (with end nozzle)		960 mm (37-3/4") / 1,010 mm (39-3/4") / 1,060 mm (41-3/4")
Rated voltage		D.C. 36 V - 40 V max
Net weight		2.6 - 2.9 kg (5.7 - 6.4 lbs)
Protection degree		IPX4

- Due to our continuing program of research and development, the specifications herein are subject to change without notice.
- Specifications may differ from country to country.
- Weight according to EPTA-Procedure 01/2014

Applicable portable power pack

PDC01

⚠ WARNING: Only use the portable power packs listed above. Use of any other portable power packs may cause injury and/or fire.

SAFETY WARNINGS

IMPORTANT SAFETY INSTRUCTIONS

When using an electrical appliance, basic precautions should always be followed, including the following:

READ ALL INSTRUCTIONS BEFORE USING THIS APPLIANCE. WARNING - To reduce the risk of fire, electric shock, or injury:

1. Do not leave appliance when battery fitted. Remove battery from appliance when not in use and before servicing.
2. Do not expose to rain. Store indoors.
3. Do not allow to be used as a toy. Close attention is necessary when used by or near children.
4. Use only as described in this manual. Use only manufacturer's recommended attachments.
5. Do not use with damaged battery. If appliance is not working as it should, has been dropped, damaged, left outdoors, or dropped into water, return it to a service center.

6. Do not put any object into openings. Do not use with any opening blocked; keep free of dust, lint, hair, and anything that may reduce air flow.
7. Keep hair, loose clothing, fingers, and all parts of body away from openings and moving parts.
8. Use extra care when cleaning on stairs.
9. Use only the charger supplied by the manufacturer to recharge.

SAVE THESE INSTRUCTIONS.

This appliance is intended for both household use and commercial use.

Battery Powered Blower Safety Instructions

Preparation

1. Always wear substantial footwear and long trousers while operating the blower.
2. Do not wear loose clothing or jewellery that can be drawn into the air inlet. Keep long hair away from the air inlets.
3. Always use protective goggles, a cap and mask when using the blower. Ordinary eye or sun glasses are NOT safety glasses.
4. To prevent dust irritation the wearing of a face mask is recommended.
5. While operating the machine, always wear non-slip and protective footwear. Non-skid, closed-toed safety boots and shoes will reduce the risk of injury.
6. Inspect the cord before operating the machine. If the cord is damaged, ask Makita Authorized Service Centers for repair.

Operation

1. Never operate the blower while people, especially children, or pets are nearby.
2. Switch off the blower and remove the battery and make sure that all moving parts have come to a complete stop
 - whenever you leave the blower.
 - before clearing blockages.

- before checking, cleaning or working on the blower.
 - if the blower starts to vibrate abnormally.
3. Operate the blower only in daylight or in good artificial light.
 4. Do not overreach and keep proper balance and footing at all times.
 5. Never blow debris in the direction of bystanders.
 6. Operate the blower in a recommended position and on a firm surface.
 7. Do not operate the blower at high places.
 8. Never point the nozzle at anyone in the vicinity when using the blower.
 9. Never block suction inlet and/or blower outlet.
 - Be careful not to block suction inlet or blower outlet with dust or dirt when operating in dusty area.
 - Do not use nozzles other than the nozzles provided by Makita.
 - Do not use the blower to inflate balls, rubber boat or the similar.
 10. Do not operate the blower near open window, etc.
 11. Operating the blower only at reasonable hours is recommended - not early in the morning or late at night when people might be disturbed.
 12. Using rakes and brooms to loosen debris before blowing is recommended.
 13. If the blower strikes any foreign objects or should start making any unusual noise or vibration, immediately switch off the blower to stop it. Remove the battery from the blower and inspect the blower for damage before restarting and operating the blower. If the blower is damaged, ask Makita Authorized Service Centers for repair.
 14. Do not insert fingers or other objects into suction inlet or blower outlet.
 15. Prevent unintentional starting. Ensure the switch is in the off-position before inserting battery, picking up or carrying the blower. Carrying the blower with your finger on the switch or energizing the blower that has the switch on invites accidents.
 16. Never blow dangerous materials, such as nails, fragments of glass, or blades.
 17. Do not operate the blower near flammable materials.
 18. Avoid operating the blower for a long time in low temperature environment.
 19. Always be sure of your footing on slopes.
 20. Do not use the machine when there is a risk of lightning.
 21. When you use the machine on muddy ground, wet slope, or slippery place, pay attention to your footing.
 22. Avoid working in poor environment where increased user fatigue is expected.
 23. Do not use the machine in bad weather where visibility is limited. Failure to do so may cause fall or incorrect operation due to low visibility.
 24. Do not submerge the machine into a puddle.
 25. When wet leaves or dirt adhere to the suction mouth (ventilation window) due to rain, remove them.

Maintenance and storage

1. Keep all nuts, bolts and screws tight to be sure the blower is in safe working condition.
2. If the parts are worn or damaged, replace them with parts provided by Makita.
3. Store the blower in a dry place out of the reach of children.
4. When you stop the blower for inspection, servicing, storage, or changing accessory, switch off the blower and make sure that all moving parts come to a complete stop, and remove the battery. Cool down the blower before making any work on the blower. Maintain the blower with care and keep it clean.
5. Always cool down the blower before storing.
6. When you lift the blower, be sure to bend your knees and be careful not to hurt your back.
7. Do not leave the machine unattended outdoors in the rain.
8. Do not wash the machine with high pressure water.
9. When storing the machine, avoid direct sunlight and rain, and store it in a place where it does not get hot or humid.
10. Perform inspection or maintenance in a place where rain can be avoided.
11. After using the machine, remove the adhered dirt and dry the machine completely before storing. Depending on the season or the area, there is a risk of malfunction due to freezing.
12. Do not pick up or carry the machine by holding only the cord.

Battery tool use and care

1. Prevent unintentional starting. Ensure the switch is in the off-position before connecting to battery pack, picking up or carrying the machine. Carrying the machine with your finger on the switch or energizing machine that have the switch on invites accidents.
2. Disconnect the battery pack from the machine before making any adjustments, changing accessories, or storing machine. Such preventive safety measures reduce the risk of starting the machine accidentally.
3. Recharge only with the charger specified by the manufacturer. A charger that is suitable for one type of battery pack may create a risk of fire when used with another battery pack.
4. Use machines only with specifically designated battery packs. Use of any other battery packs may create a risk of injury and fire.
5. When battery pack is not in use, keep it away from other metal objects, like paper clips, coins, keys, nails, screws or other small metal objects, that can make a connection from one terminal to another. Shorting the battery terminals together may cause burns or a fire.
6. Under abusive conditions, liquid may be ejected from the battery; avoid contact. If contact accidentally occurs, flush with water. If liquid contacts eyes, seek medical help. Liquid ejected from the battery may cause irritation or burns.

7. Do not use a battery pack or machine that is damaged or modified. Damaged or modified batteries may exhibit unpredictable behaviour resulting in fire, explosion or risk of injury.
8. Do not expose a battery pack or machine to fire or excessive temperature. Exposure to fire or temperature above 130°C (265°F) may cause explosion.
9. Follow all charging instructions and do not charge the battery pack or machine outside of the temperature range specified in the instructions. Charging improperly or at temperatures outside of the specified range may damage the battery and increase the risk of fire.
10. Have servicing performed by a qualified repair person using only identical replacement parts. This will ensure that the safety of the product is maintained.
11. Do not modify or attempt to repair the machine or the battery pack except as indicated in the instructions for use and care.

Electrical and battery safety

1. Do not dispose of the battery(ies) in a fire. The cell may explode. Check with local codes for possible special disposal instructions.
2. Do not open or mutilate the battery(ies). Released electrolyte is corrosive and may cause damage to the eyes or skin. It may be toxic if swallowed.
3. Do not charge battery in rain, or in wet locations.
4. Do not charge the battery outdoors.
5. Do not handle charger, including charger plug, and charger terminals with wet hands.
6. Do not replace the battery in the rain.
7. Do not wet the terminal of battery with liquid such as water, or submerge the battery. Do not leave the battery in the rain, nor charge, use, or store the battery in a damp or wet place. If the terminal gets wet or liquid enters inside of battery, the battery may be short circuited and there is a risk of overheat, fire, or explosion.
8. After removing the battery from the machine or charger, be sure to attach the battery cover to the battery and store it in a dry place.
9. Do not replace the battery with wet hands.
10. If the battery gets wet, drain the water inside and then wipe it with a dry cloth. Dry the battery completely in a dry place before use.

Service

1. Have your power tool serviced by a qualified repair person using only identical replacement parts. This will ensure that the safety of the power tool is maintained.
2. Never service damaged battery packs. Service of battery packs should only be performed by the manufacturer or authorized service providers.

SAVE THESE INSTRUCTIONS.

⚠WARNING: DO NOT let comfort or familiarity with product (gained from repeated use) replace strict adherence to safety rules for the subject product.

MISUSE or failure to follow the safety rules stated in this instruction manual may cause serious personal injury.

⚠WARNING: Use of this product can create dust containing chemicals which may cause respiratory or other illnesses. Some examples of these chemicals are compounds found in pesticides, insecticides, fertilizers and herbicides.

Your risk from these exposures varies, depending on how often you do this type of work. To reduce your exposure to these chemicals: work in a well ventilated area, and work with approved safety equipment, such as those dust masks that are specially designed to filter out microscopic particles.

Symbols

The followings show the symbols used for tool.

v	volts
—	direct current

Important safety instructions for battery cartridge

1. Before using battery cartridge, read all instructions and cautionary markings on (1) battery charger, (2) battery, and (3) product using battery.
2. Do not disassemble or tamper the battery cartridge. It may result in a fire, excessive heat, or explosion.
3. If operating time has become excessively shorter, stop operating immediately. It may result in a risk of overheating, possible burns and even an explosion.
4. If electrolyte gets into your eyes, rinse them out with clear water and seek medical attention right away. It may result in loss of your eyesight.
5. Do not short the battery cartridge:
 - (1) Do not touch the terminals with any conductive material.
 - (2) Avoid storing battery cartridge in a container with other metal objects such as nails, coins, etc.
 - (3) Do not expose battery cartridge to water or rain.

A battery short can cause a large current flow, overheating, possible burns and even a breakdown.

6. **Do not store and use the tool and battery cartridge in locations where the temperature may reach or exceed 50 °C (122 °F).**
7. **Do not incinerate the battery cartridge even if it is severely damaged or is completely worn out. The battery cartridge can explode in a fire.**
8. **Do not nail, cut, crush, throw, drop the battery cartridge, or hit against a hard object to the battery cartridge.** Such conduct may result in a fire, excessive heat, or explosion.
9. **Do not use a damaged battery.**
10. **The contained lithium-ion batteries are subject to the Dangerous Goods Legislation requirements.**
For commercial transports e.g. by third parties, forwarding agents, special requirement on packaging and labeling must be observed.
For preparation of the item being shipped, consulting an expert for hazardous material is required. Please also observe possibly more detailed national regulations.
Tape or mask off open contacts and pack up the battery in such a manner that it cannot move around in the packaging.
11. **When disposing the battery cartridge, remove it from the tool and dispose of it in a safe place. Follow your local regulations relating to disposal of battery.**
12. **Use the batteries only with the products specified by Makita.** Installing the batteries to non-compliant products may result in a fire, excessive heat, explosion, or leak of electrolyte.
13. **If the tool is not used for a long period of time, the battery must be removed from the tool.**
14. **During and after use, the battery cartridge may take on heat which can cause burns or low temperature burns. Pay attention to the handling of hot battery cartridges.**
15. **Do not touch the terminal of the tool immediately after use as it may get hot enough to cause burns.**
16. **Do not allow chips, dust, or soil stuck into the terminals, holes, and grooves of the battery cartridge.** It may result in poor performance or breakdown of the tool or battery cartridge.
17. **Unless the tool supports the use near high-voltage electrical power lines, do not use the battery cartridge near high-voltage electrical power lines.** It may result in a malfunction or breakdown of the tool or battery cartridge.
18. **Keep the battery away from children.**

SAVE THESE INSTRUCTIONS.

⚠ CAUTION: Only use genuine Makita batteries. Use of non-genuine Makita batteries, or batteries that have been altered, may result in the battery bursting causing fires, personal injury and damage. It will also void the Makita warranty for the Makita tool and charger.

Tips for maintaining maximum battery life

1. **Charge the battery cartridge before completely discharged. Always stop tool operation and charge the battery cartridge when you notice less tool power.**
2. **Never recharge a fully charged battery cartridge. Overcharging shortens the battery service life.**
3. **Charge the battery cartridge with room temperature at 10 °C - 40 °C (50 °F - 104 °F). Let a hot battery cartridge cool down before charging it.**
4. **When not using the battery cartridge, remove it from the tool or the charger.**
5. **Charge the battery cartridge if you do not use it for a long period (more than six months).**

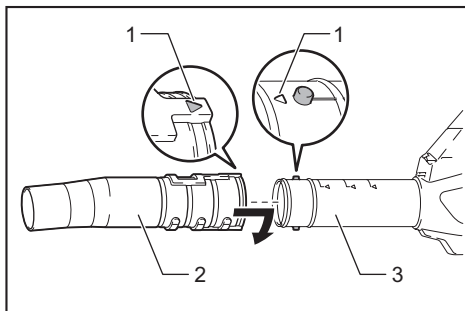
ASSEMBLY

⚠ CAUTION: Always be sure that the machine is switched off and the portable power pack is disconnected from the machine before carrying out any work on the machine.

Installing the end nozzle

Align the triangle mark on the end nozzle with the triangle mark on the front pipe, then attach the end nozzle to the front pipe, and then turn the end nozzle to lock it into place.

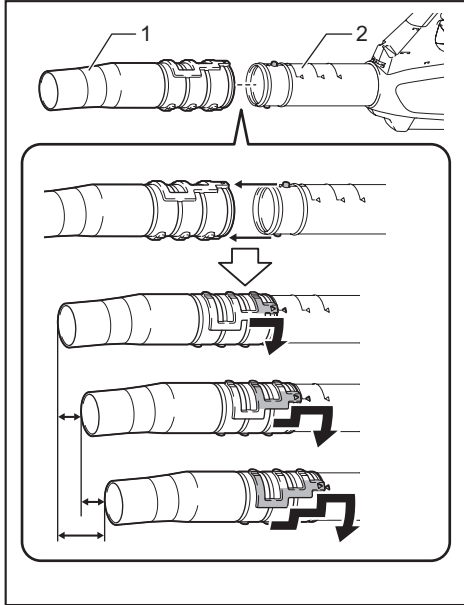
Install the end nozzle so that the tip of the nozzle faces downward. Depending on the working environment, you can install the end nozzle so that the tip of the nozzle is facing up.



- 1. Triangle mark 2. End nozzle 3. Front pipe

To remove the end nozzle, perform the installation procedure in reverse.

NOTE: The length of the nozzle can be changed by moving the nozzle as shown in the figure.

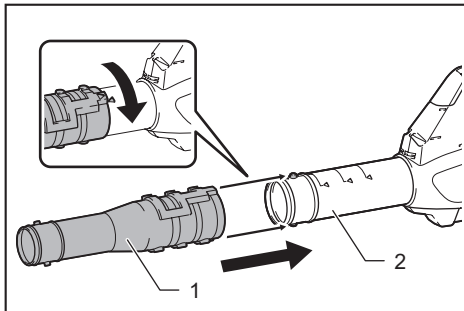


► 1. End nozzle 2. Front pipe

Installing the flat nozzle or extension nozzle

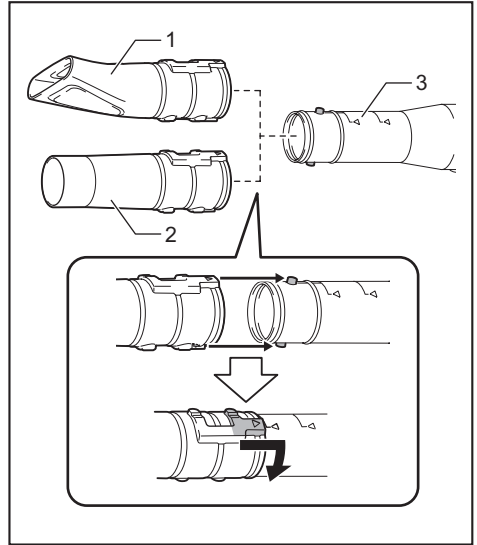
Optional accessory

1. Align the groove on the adapter pipe with the protrusion on the front pipe, then attach the adapter pipe to the front pipe, and then turn it to lock it into place.



► 1. Adapter pipe 2. Front pipe

2. Align the groove on the flat nozzle or extension nozzle with the protrusion on the adapter pipe, then attach the flat nozzle or extension nozzle to the adapter pipe, and then turn it to lock it into place.



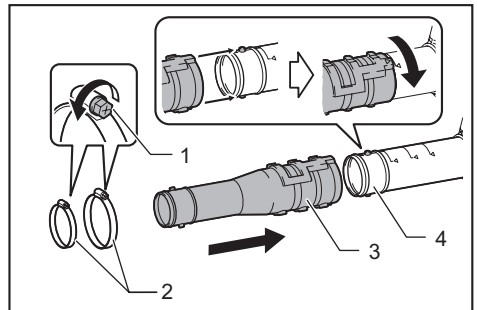
► 1. Flat nozzle 2. Extension nozzle 3. Adapter pipe

Installing the gutter nozzle set

Optional accessory

1. Align the groove on the adapter pipe with the protrusion on the front pipe, then attach the adapter pipe to the front pipe, and then turn it to lock it into place.

Insert the adapter pipe as far as it will go so that the protrusion fits into the deepest groove on the adapter pipe.

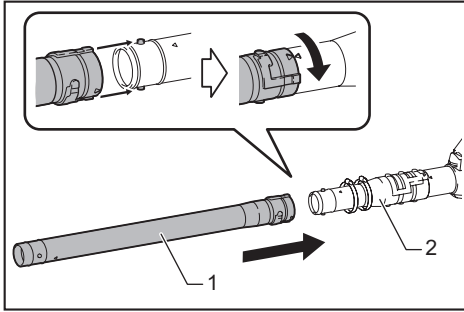


► 1. Screw 2. Hose clamp 3. Adapter pipe 4. Front pipe

2. Loosen the screws on the hose clamps, and pass the large hose clamp through the adapter pipe, and then pass the small hose clamp.

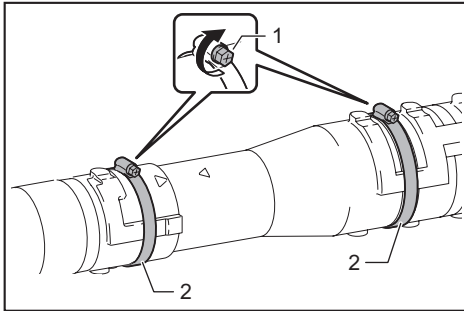
3. Connect the extension pipe to the adapter pipe.

Align the groove on the extension pipe with the protrusion on the adapter pipe, and then slide the extension pipe along its groove so that the triangle markings face each other.



► 1. Extension pipe 2. Adapter pipe

4. Place the hose clamps onto the grooves as illustrated and tighten the screws.

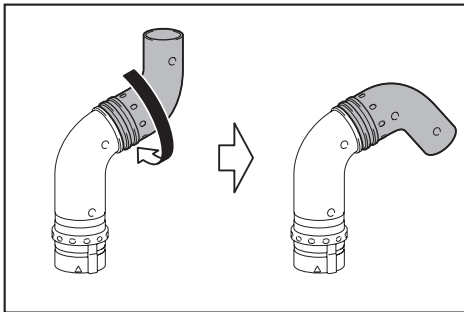


► 1. Screw 2. Hose clamp

5. According to the working height, connect the rest of extension pipes to the extension pipe which has already been attached.

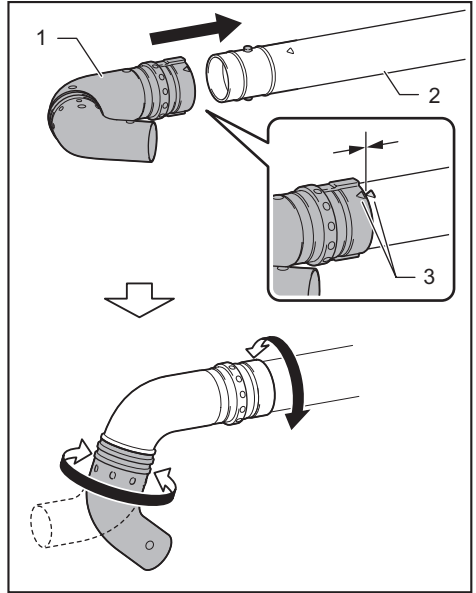
CAUTION: Do not attach the extension pipe if the total length including the blower body exceeds 4 m (14 ft).

6. Turn the outlet of the end nozzle as shown in the figure.



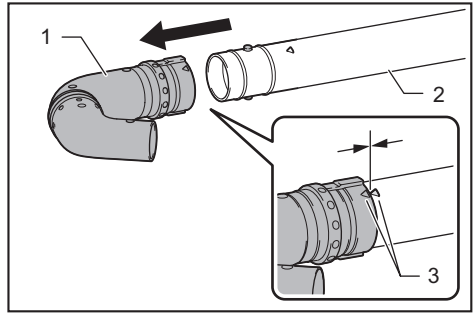
7. Connect the end nozzle to the extension pipe.

When connecting, align the triangle marking on the end nozzle and the extension pipe, and then push the end nozzle until it clicks. After that, rotate the end nozzle to a suitable position for your work.



► 1. End nozzle 2. Extension pipe 3. Triangle marking

When removing the end nozzle, align the triangle markings on the end nozzle and extension pipe, and then pull out the end nozzle from the extension pipe.



► 1. End nozzle 2. Extension pipe 3. Triangle marking

FUNCTIONAL DESCRIPTION

⚠ CAUTION: Always be sure that the machine is switched off and the portable power pack is disconnected from the machine before adjusting or checking function on the machine.

Machine / battery protection system

The machine is equipped with a machine/battery protection system. This system automatically cuts off power to the motor to extend machine and battery life. The machine will automatically stop during operation if the machine or battery is placed under one of the following conditions:

Overload protection

When the machine or battery is operated in a manner that causes it to draw an abnormally high current, the machine automatically stops and the main power lamp of the machine blinks in green. In this situation, turn the machine off and stop the application that caused the machine to become overloaded. Then turn the machine on to restart.

Overheat protection

When the machine or battery is overheated, the machine stops automatically. When the machine is overheated, the main power lamp of the machine lights up in red. When the battery is overheated, the main power lamp of the machine blinks in red. Let the machine and battery cool down before turning the machine on again.

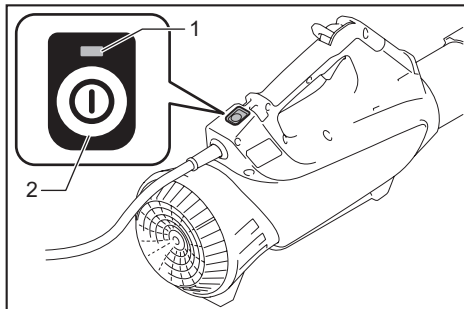
Overdischarge protection

When the battery capacity is not enough, the machine stops automatically and the main power lamp of the machine blinks in red. In this case, remove the battery from the machine and charge the battery or change the battery to fully charged one.

Main power switch

⚠ WARNING: Always turn off the main power switch when not in use.

To turn on the machine, press the main power switch. The main power lamp lights up in green. To turn off, press the main power switch again.



► 1. Main power lamp 2. Main power switch

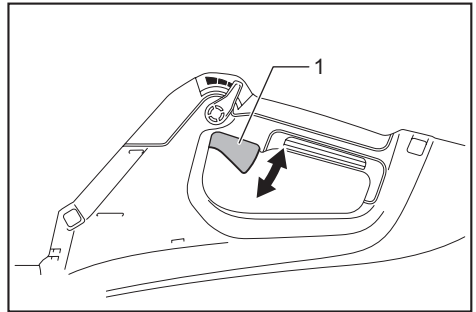
NOTE: This machine employs the auto power-off function. To avoid unintentional start up, the main power switch will automatically shut down when the switch trigger is not pulled for a certain period after the main power switch is turned on.

NOTE: If you press the main power switch when the control lever is not fully returned to the off position, or while you are pulling the switch trigger, the main power lamp blinks in green. In this case, fully return the control lever, or release the switch trigger, and then press the main power switch.

Switch action

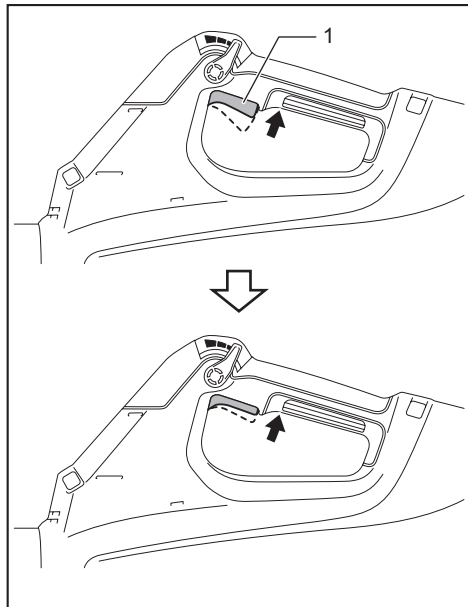
⚠ WARNING: Before connecting the portable power pack to the machine, always check to see that the switch trigger actuates properly and returns to the "OFF" position when released.

To start the machine, simply pull the switch trigger. The speed increases by increasing pressure on the switch trigger. Release the switch trigger to stop.



► 1. Switch trigger

You can use the machine in the Boost mode. In the Boost mode, the air volume becomes larger than in the normal mode. To use the machine in the Boost mode, pull the switch trigger until the switch trigger stops in the halfway position, and then pull the switch trigger fully.



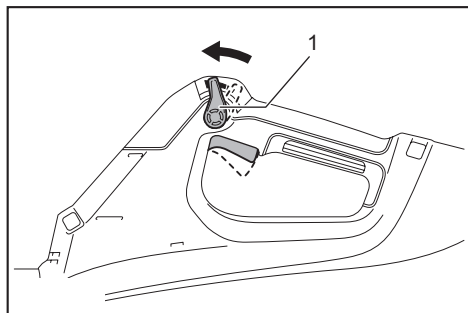
► 1. Switch trigger

NOTE: Depending on the usage conditions, use of the Boost mode is restricted to protect the machine. If the main power lamp of the machine blinks in green when you pull the switch trigger fully or while you are using the machine in the Boost mode, the Boost mode is not available.

NOTE: The Boost mode is not available by turning the control lever.

Cruise control function

The cruise control function allows the operator to maintain a constant speed without pulling the trigger. To increase the speed, turn the control lever forward. To decrease the speed, turn the control lever backward.



► 1. Control lever

Accidental re-start preventive function

Even if you connect the portable power pack to the machine while pulling the switch trigger, the machine does not start. To start the machine, first release the switch trigger and return the control lever fully, and then pull the switch trigger.

OPERATION

Connecting the portable power pack

⚠ CAUTION: When you use the machine in combination of the backpack-type power supply such as portable power pack, use the hanging band included in the machine package or the hanging band recommended by Makita.

If you put on the shoulder harness not recommended by Makita and the shoulder harness of the backpack-type power supply at the same time, removing the machine or backpack-type power supply is difficult in case of an emergency, and it may cause an accident or injury. For the recommended hanging band, ask Makita Authorized Service Centers.

⚠ CAUTION: Before operation, make sure that the buckles on the waist belt is locked and the machine is securely attached to the hook of the hanging band.

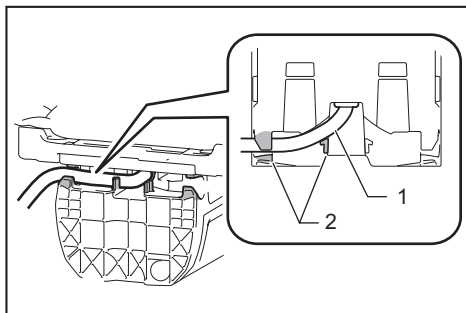
⚠ CAUTION: To prevent unintentional start up, make sure that the machine and portable power pack are turned off before starting this procedure.

⚠ CAUTION: Before performing this procedure, finish the adjustments for the waist belt and shoulder harness. Refer to the instruction manual of the portable power pack for details.

NOTE: Before performing this procedure, install the battery cartridge(s) to the portable power pack. Refer to the instruction manual of the portable power pack for details.

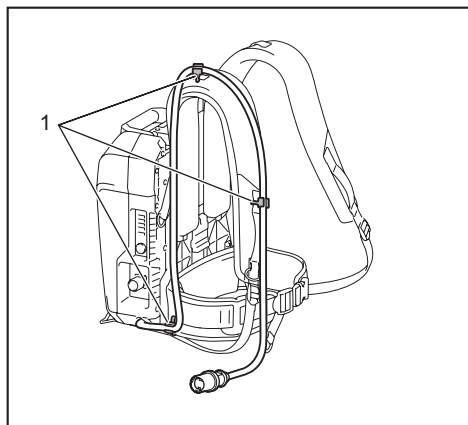
1. Pull out the cord from either left or right side of the battery.

When pulling out the cord, be sure to set the cord in the holders as shown in the figure.



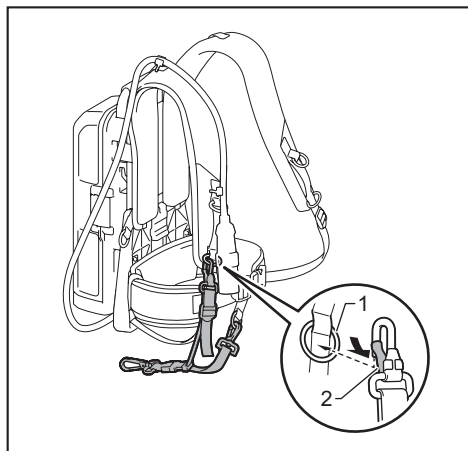
► 1. Cord 2. Holder

2. Attach the cord to the cord holders.



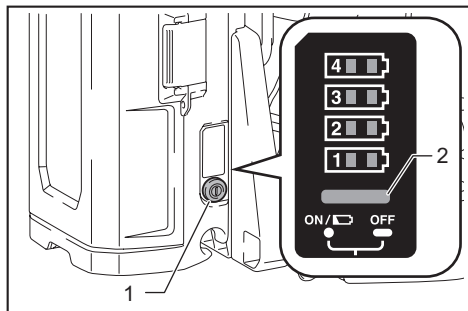
► 1. Cord holder

3. Attach the hooks of the hanging band to the rings of the shoulder harness and waist belt.



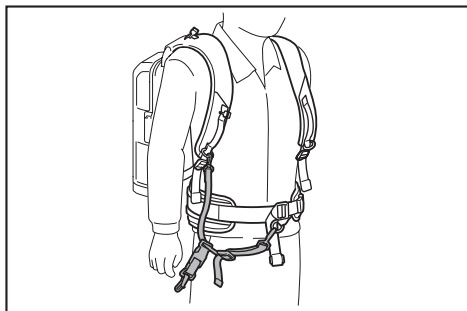
► 1. Ring 2. Hook

4. Press the power button on the portable power pack. The main power lamp will light up.

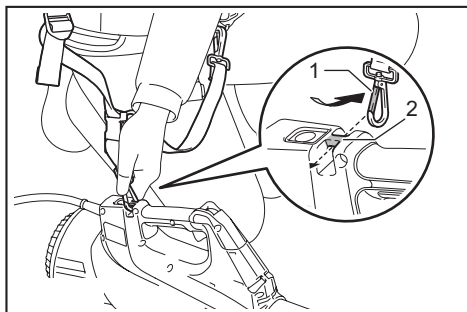


► 1. Power button 2. Main power lamp

5. Wear the shoulder harness of the portable power pack and lock the buckle on the waist belt.

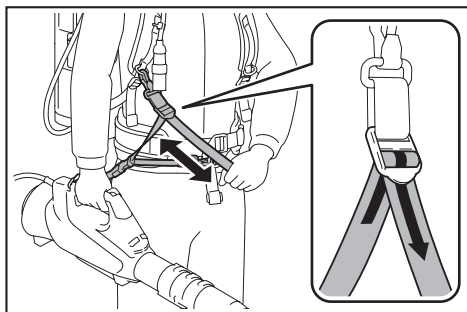


6. Attach the shoulder harness to the machine using the hook on the hanging band. Be sure to hook on the hanger of the machine.



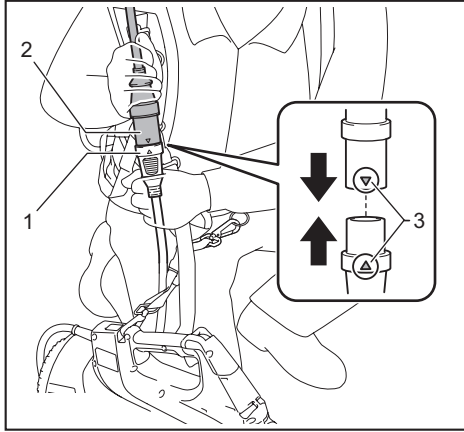
► 1. Hook 2. Hanger

Adjust the length of the hanging band as necessary.



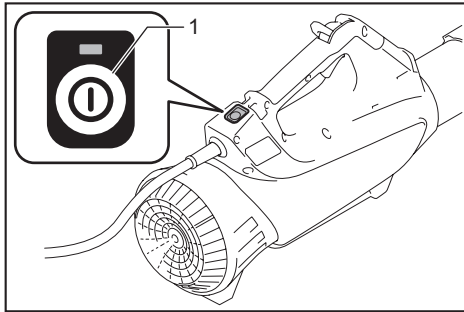
7. Insert the plug of the machine into the socket of the portable power pack.

When inserting, align the triangle marking on both the plug and the socket.



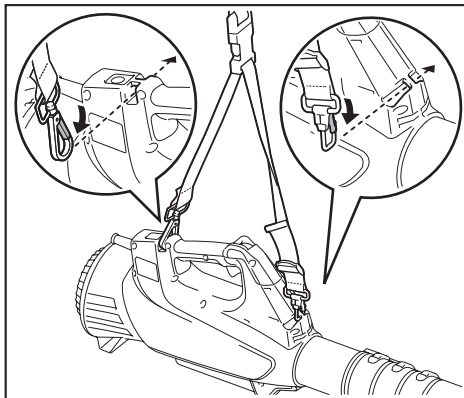
► 1. Plug 2. Socket 3. Triangle marking

8. Press the main power switch to turn on the machine. The machine is ready to operate. The machine will run when you pull the switch trigger.

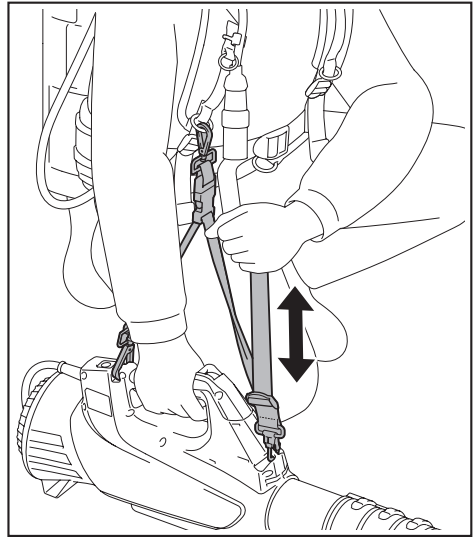


► 1. Main power switch

NOTE: You can also use the hanging band as shown in the figure.



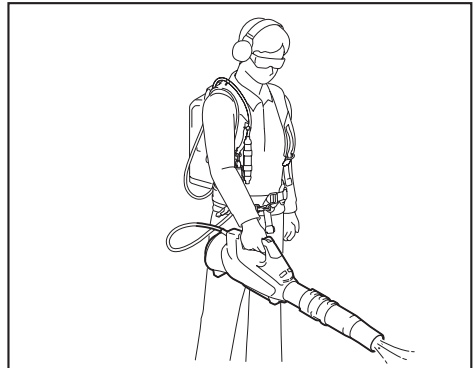
Adjust the length of the hanging band as necessary.



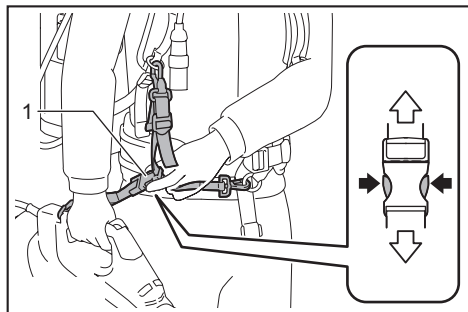
Blower operation

CAUTION: Do not place the machine on the ground while it is switched on. Sand or dust may enter from suction inlet and cause a malfunction or personal injury.

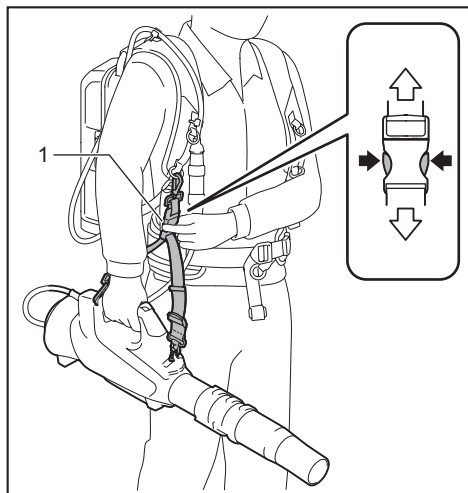
Hold the machine firmly with a hand and perform the blowing operation by moving it around slowly. When blowing around building, big stone or vehicle, direct the nozzle away from them. When performing an operation in a corner, start from the corner and then move to wide area.



When setting down the machine, unlock the buckle on the hanging band with one hand while holding the machine with the other hand.

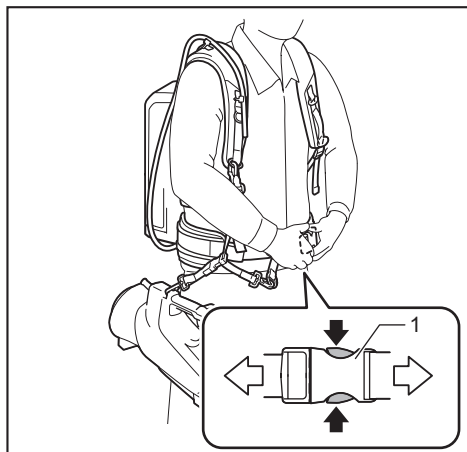


► 1. Buckle



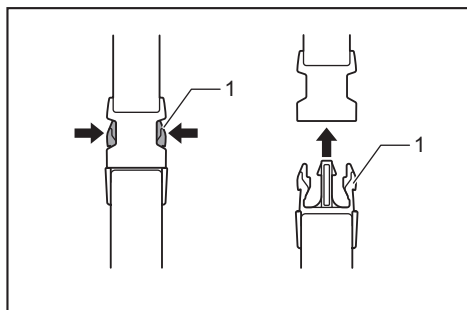
► 1. Buckle

When setting down the machine and the portable power pack at the same time, unlock the buckle on the waist belt, and then set down the machine and the portable power pack.



► 1. Buckle

NOTE: When unlocking the buckle, press the claws of the buckle on both sides. When locking the buckle, insert the claws until they are locked.

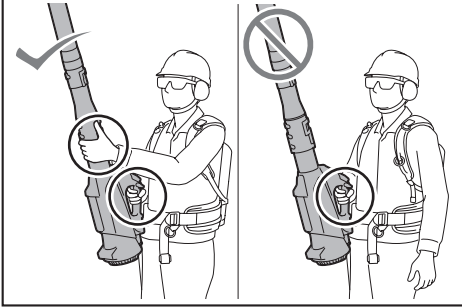


► 1. Claw

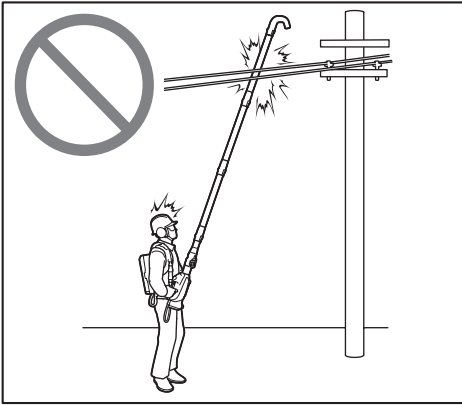
Using the gutter nozzle set

CAUTION: When using the gutter nozzle set, do not use the machine in the Boost mode. You may lose balance and it may cause an accident since the air volume becomes larger in the Boost mode.

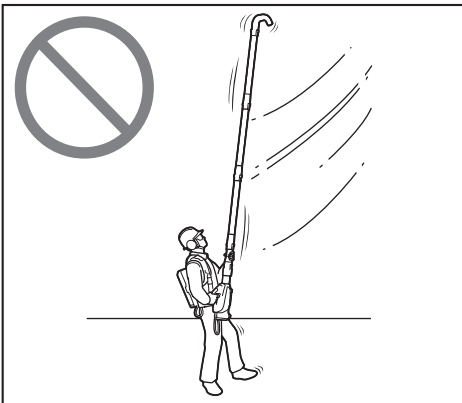
CAUTION: When using the gutter nozzle set, do not hold the blower with single hand but with both hands.



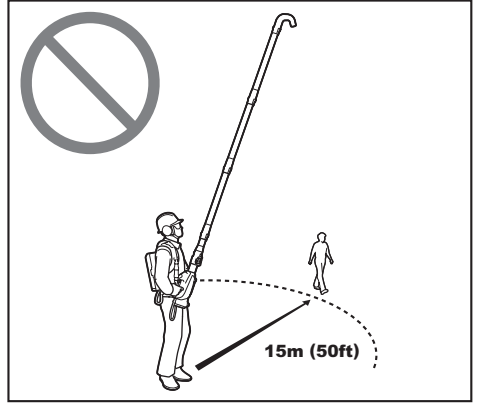
CAUTION: Do not use the gutter nozzle set near electric wires.



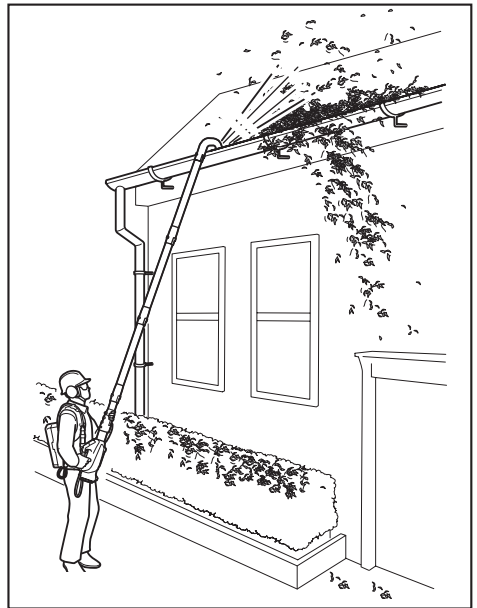
CAUTION: Do not use the gutter nozzle set on windy day.



CAUTION: When using the gutter nozzle set, keep other people or animal more than 15 m (50 ft) away from the blower.



Hold the blower upright by grabbing the handle of the blower. Place the outlet of the blower on the gutter and then turn on the blower.



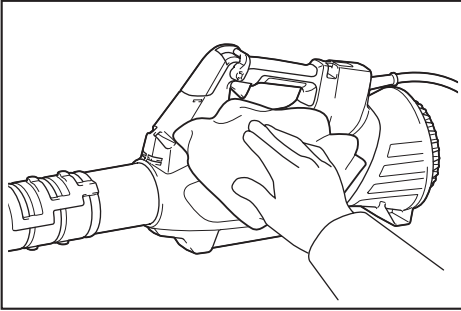
MAINTENANCE

CAUTION: Always be sure that the machine is switched off and the portable power pack is disconnected from the machine before attempting to perform inspection or maintenance.

To maintain product SAFETY and RELIABILITY, repairs, any other maintenance or adjustment should be performed by Makita Authorized or Factory Service Centers, always using Makita replacement parts.

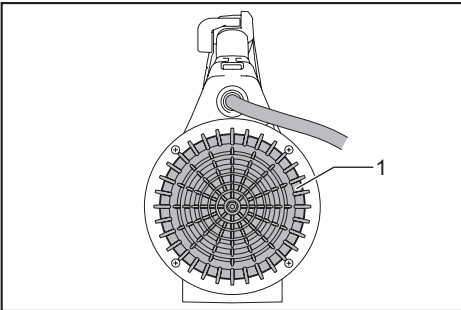
Cleaning the machine

Clean the machine by wiping off dust with a dry cloth or one dipped in soapy water and wrung out.



NOTICE: Never use gasoline, benzine, thinner, alcohol or the like. Discoloration, deformation or cracks may result.

Remove dust or dirt from the suction inlet at the rear of the machine.

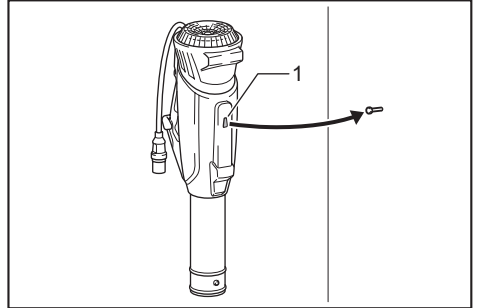


► 1. Suction inlet

Storage

Before storing the machine, disconnect the portable power pack from the machine, and perform full maintenance. Store the machine in a place out of the reach of children and not exposed to moisture, rain, or direct sunlight.

The hook hole on the bottom of the machine is convenient for hanging the machine from a nail or screw on the wall.



► 1. Hole

TROUBLESHOOTING

Before asking for repairs, conduct your own inspection first. If you find a problem that is not explained in the manual, do not attempt to dismantle the machine. Instead, ask Makita Authorized Service Centers, always using Makita replacement parts for repairs.

State of abnormality	Probable cause (malfunction)	Remedy
Motor does not run.	Battery is not installed.	Install the battery.
	Battery problem (under voltage)	Recharge the battery. If recharging is not effective, replace battery.
	The drive system does not work correctly.	Ask your local authorized service center for repair.
Motor stops running after a little use.	Battery's charge level is low.	Recharge the battery. If recharging is not effective, replace battery.
	Overheating.	Stop using the machine to allow it to cool down.
The machine does not reach the maximum speed.	Battery is installed improperly.	Install the battery as described in this manual.
	Battery power is dropping.	Recharge the battery. If recharging is not effective, replace battery.
	The drive system does not work correctly.	Ask your local authorized service center for repair.
Abnormal vibration: ⇒ stop the machine immediately!	The drive system does not work correctly.	Ask your local authorized service center for repair.
Motor cannot stop: ⇒ Remove the battery immediately!	Electric or electronic malfunction.	Remove the battery and ask your local authorized service center for repair.

OPTIONAL ACCESSORIES

⚠ CAUTION: These accessories or attachments are recommended for use with your Makita product specified in this manual. The use of any other accessories or attachments might present a risk of injury to persons. Only use accessory or attachment for its stated purpose.

If you need any assistance for more details regarding these accessories, ask your local Makita Service Center.

- Adapter pipe
- Extension nozzle
- Flat nozzle
- Gutter nozzle set
- Band assembly
- Makita genuine battery and charger

NOTE: Some items in the list may be included in the product package as standard accessories. They may differ from country to country.

MAKITA LIMITED WARRANTY

Please refer to the annexed warranty sheet for the most current warranty terms applicable to this product. If annexed warranty sheet is not available, refer to the warranty details set forth at below website for your respective country.

United States of America: www.makitatools.com

Canada: www.makita.ca

Other countries: www.makita.com

ESPECIFICACIONES

Modelo:		CBU01
Capacidades	Volumen de aire	0 m ³ /min - 17,6 m ³ /min (0 cu.ft./min - 622 cu.ft./min)
	Velocidad del aire (promedio)	0 m/s - 58,0 m/s (0 MPH - 130 MPH)
	Velocidad del aire (máx.)	0 m/s - 70,0 m/s (0 MPH - 157 MPH)
Longitud total (con boquilla de extremo)		960 mm (37-3/4") / 1 010 mm (39-3/4") / 1 060 mm (41-3/4")
Tensión nominal		36 V - 40 V c.c. máx.
Peso neto		2,6 - 2,9 kg (5,7 - 6,4 lbs)
Grado de protección		IPX4

- Debido a nuestro continuo programa de investigación y desarrollo, las especificaciones aquí incluidas están sujetas a cambio sin previo aviso.
- Las especificaciones pueden variar de país a país.
- Peso de acuerdo con el procedimiento 01/2014 de EPTA

Unidad portátil de alimentación eléctrica aplicable

PDC01

⚠ ADVERTENCIA: Utilice solo las unidades portátiles de alimentación eléctrica que se mencionaron anteriormente. El uso de cualquier otra unidad portátil de alimentación eléctrica podría ocasionar una lesión o un incendio.

ADVERTENCIAS DE SEGURIDAD

INSTRUCCIONES IMPORTANTES DE SEGURIDAD

Al usar cualquier aparato eléctrico, siempre deben seguirse las precauciones básicas, incluyendo las siguientes:

LEA TODAS LAS INSTRUCCIONES ANTES DE USAR EL APARATO. ADVERTENCIA: Para reducir el riesgo de incendio, descarga eléctrica o lesión:

1. No deje el aparato con la batería puesta. Retire la batería del aparato cuando no lo vaya a utilizar y antes de dar servicio de mantenimiento.
2. No lo exponga a la lluvia. Almacénelo en interiores.

3. No permita que sea utilizado como un juguete. Preste mucha atención cuando sea utilizado por niños o cerca de ellos.
4. Utilícelo solamente como se describe en este manual. Sólo use aditamentos recomendados por el fabricante.
5. No lo utilice con una batería dañada. Si el aparato no está funcionando como debiera, se ha dejado caer, se ha dañado, se ha dejado a la intemperie o ha caído sobre agua, llévelo a un centro de servicio.
6. No introduzca ningún objeto en las aberturas. No lo utilice con ninguna abertura bloqueada; manténgalo libre de polvo, pelusa, cabello y cualquier objeto que pueda reducir el flujo de aire.
7. Mantenga el cabello, la ropa holgada, los dedos y todas las partes del cuerpo lejos de las aberturas y piezas móviles.
8. Tenga especial cuidado cuando limpie en escaleras.
9. Utilice solamente el cargador suministrado por el fabricante para recargar.

GUARDE ESTAS INSTRUCCIONES.

Este aparato está diseñado para un uso tanto doméstico como comercial.

Instrucciones de seguridad para la sopladora alimentada a batería

Preparación

1. Siempre use calzado robusto y pantalones largos al operar la sopladora.
2. No use ropa holgada o alhajas que puedan ser jaladas hacia la entrada de aire. Mantenga el cabello largo lejos de las entradas de aire.
3. Use siempre gafas protectoras, una gorra y una mascarilla cuando utilice la sopladora. Los anteojos comunes o para el sol NO son gafas de seguridad.
4. Para evitar la irritación por polvo, se recomienda el uso de una mascarilla.

5. Cuando opere la máquina use siempre calzado de protección con suela antiderrapante. Los zapatos y botas de seguridad cerrados con suela antiderrapante reducen el riesgo de lesiones.
6. Inspeccione el cable antes de operar la máquina. Si el cable se daña, solicite la reparación a los centros de servicio autorizado de Makita.
17. No opere la sopladora cerca de materiales inflamables.
18. Evite hacer funcionar la sopladora durante mucho tiempo en ambientes de temperatura baja.
19. Asegúrese siempre de pisar sobre suelo firme en las pendientes.
20. No utilice la máquina cuando exista riesgo de ser alcanzado por un rayo.

Operación

1. Nunca opere la sopladora cuando haya personas, especialmente niños, o mascotas cerca.
2. Apague la sopladora y retire la batería y asegúrese de que todas las partes móviles se hayan detenido por completo
 - cada vez que deje la sopladora.
 - antes de despejar obstrucciones.
 - antes de revisar, limpiar o trabajar en la sopladora.
 - Si la sopladora empieza a vibrar de manera anormal.
3. Utilice la sopladora solamente a la luz del día o en buenas condiciones de iluminación artificial.
4. No use una postura forzada y mantenga el equilibrio y los pies en firme en todo momento.
5. Nunca sople escombros en dirección de las personas cercanas.
6. Utilice la sopladora en una posición recomendada y sobre una superficie firme.
7. No opere la sopladora en lugares elevados.
8. Cuando utilice la sopladora, no apunte nunca la boquilla a nadie alrededor.
9. Nunca bloquee la entrada de succión o la salida de la sopladora.
 - Tenga cuidado de no bloquear la entrada de succión o la salida de la sopladora con polvo o suciedad al operar en áreas con polvo.
 - No use boquillas que no sean las proporcionadas por Makita.
 - No utilice la sopladora para inflar pelotas, botes de caucho o similares.
10. No haga funcionar la sopladora cerca de una ventana abierta, etc.
11. Se recomienda operar la sopladora solo a horas razonables, no temprano en la mañana o tarde en la noche para no molestar a las personas.
12. Se recomienda usar rastrillos y escobas para aflojar los residuos antes de soplar.
13. Si la sopladora golpea algún objeto extraño o comienza a hacer cualquier ruido o vibración inusual, apague la sopladora inmediatamente para detenerlo. Retire la batería de la sopladora e inspeccione la sopladora en búsqueda de daños, antes de volver a encenderla y ponerla en funcionamiento. Si la sopladora se daña, solicite la reparación a los centros de servicio autorizado de Makita.
14. No introduzca los dedos u otros objetos en la entrada de succión o en la salida de la sopladora.
15. Evite un arranque accidental. Asegúrese de que el interruptor esté en la posición apagada antes de insertar la batería, levantar la sopladora o transportarla. Cargar la sopladora con su dedo en el interruptor o pasar energía a la sopladora con el interruptor encendido puede propiciar accidentes.
16. Nunca sople sobre materiales peligrosos, como clavos, fragmentos de vidrio o cuchillas.

21. Cuando utilice la máquina sobre suelo embarrado, inclinaciones mojadas o superficies resbalosas, tenga cuidado al pisar.
22. Evite trabajar en un entorno deficiente donde sea probable que aumente la fatiga del usuario.
23. No utilice la máquina cuando las condiciones climáticas no sean buenas y la visibilidad sea limitada. En caso contrario se podrían ocasionar caídas u operaciones incorrectas debido a la baja visibilidad.
24. No sumerja la máquina en los charcos.
25. Cuando debido a la lluvia se adhieran hojas mojadas o tierra a la abertura de succión (ventana de ventilación), retírelas.

Mantenimiento y almacenamiento

1. Mantenga apretados todos los tuercas, pernos y tornillos para asegurar que la sopladora se encuentre en condiciones seguras de operación.
2. Si las piezas están desgastadas o dañadas, reemplácelas con piezas proporcionadas por Makita.
3. Guarde la sopladora en un lugar seco fuera del alcance de los niños.
4. Cuando detenga la sopladora para inspeccionarla, repararla, almacenarla o cambiarle un accesorio, apáguela y asegúrese de que todas las partes en movimiento se detengan por completo y retire la batería. Enfríe la sopladora antes de realizar cualquier trabajo en la misma. Mantenga la sopladora con cuidado y manténgala limpia.
5. Siempre permita que la sopladora se enfríe antes de almacenarla.
6. Cuando levante la sopladora, asegúrese de doblar las rodillas y tenga cuidado de no lastimarse la espalda.
7. No deje la máquina desatendida a la intemperie bajo la lluvia.
8. No lave la máquina con agua a alta presión.
9. Almacene la máquina lejos de la lluvia y la luz directa del sol y en un sitio donde no haga calor ni haya humedad.
10. Realice las inspecciones y labores de mantenimiento en un sitio protegido de la lluvia.
11. Después de utilizar la máquina, quite la suciedad adherida y séquela completamente antes de guardarla. Dependiendo de la estación o de la zona, existe el riesgo de un mal funcionamiento por congelación.
12. No levante o transporte la máquina sosteniéndola solamente por el cable.

Uso y cuidado de la herramienta a batería

1. Evite una puesta en marcha accidental. Asegúrese de que el interruptor esté en la posición apagada antes de conectar el paquete de baterías, levantar la herramienta o cargarla. Cargar la herramienta con su dedo en el interruptor o pasar energía a la herramienta con el interruptor encendido puede propiciar accidentes.

2. **Desconecte el paquete de baterías de la herramienta antes de hacer cualquier ajuste, cambiar accesorios o almacenar la herramienta.** Estas medidas de seguridad preventivas reducen el riesgo de poner en marcha la herramienta accidentalmente.
 3. **Recargue sólo con el cargador especificado por el fabricante.** Un cargador que sea adecuado para un tipo específico de paquete de batería puede generar un riesgo de incendio al usarse con un paquete de batería distinto.
 4. **Use las herramientas únicamente con los paquetes de baterías designados específicamente para ellas.** El uso de otros paquetes de baterías puede generar riesgo de lesiones e incendio.
 5. **Cuando no se esté usando el paquete de batería, manténgalo alejado de otros objetos metálicos, como sujetapapeles (clips), monedas, llaves, clavos, tornillos u otros objetos pequeños de metal que puedan crear una conexión entre una terminal y otra.** Causar un cortocircuito en las terminales de la batería puede provocar quemaduras o incendio.
 6. **En condiciones de mal uso, podría escapar líquido de la batería; evite el contacto. Si toca el líquido accidentalmente, enjuague con agua. Si hay contacto del líquido con los ojos, solicite atención médica.** El líquido expulsado de la batería puede causar irritación o quemaduras.
 7. **No utilice un paquete de baterías o una herramienta que esté dañado/dañada o haya sido modificado/modificada. Las baterías dañadas o modificadas podrían comportarse de manera impredecible causando un incendio, explosión o riesgo de lesión.**
 8. **No exponga un paquete de baterías o una herramienta al fuego o a una temperatura excesiva. La exposición al fuego a una temperatura superior a 130 °C (265 °F) podría causar una explosión.**
 9. **Siga todas las instrucciones relativas a la carga y no cargue el paquete de baterías o la herramienta fuera del rango de temperatura especificado en las instrucciones.** Cargar de manera inapropiada o a temperaturas fuera del rango especificado podría dañar la batería e incrementar el riesgo de incendio.
 10. **Pida que el servicio lo realice un técnico en reparaciones calificado y que utilice únicamente piezas de repuesto idénticas a las originales.** Esto garantizará que se mantenga la seguridad del producto.
 11. **No modifique ni intente reparar la herramienta ni el paquete de baterías salvo como se indique en las instrucciones para el uso y cuidado.**
3. **No cargue la batería bajo la lluvia ni en lugares mojados.**
 4. **No cargue la batería en exteriores.**
 5. **No manipule el cargador, incluida la la clavija del cargador, ni los terminales con las manos mojadas.**
 6. **No reemplace la batería bajo la lluvia.**
 7. **No moje el terminal de la batería con líquidos, como el agua, ni sumerja la batería en ellos. No deje la batería bajo la lluvia, ni cargue, utilice, o guarde la batería en un lugar húmedo o mojado.** Si el terminal se moja o entra líquido dentro de la batería, la batería puede sufrir un cortocircuito, con el consiguiente riesgo de sobrecalentamiento, incendio o explosión.
 8. **Después de retirar la batería de la máquina o el cargador, asegúrese de acoplar la cubierta de la batería a la batería y de guardarla en un lugar seco.**
 9. **No reemplace la batería con las manos mojadas.**
 10. **Si la batería se moja, drene el agua que se haya acumulado en el interior y luego límpiela con un paño seco. Seque la batería por completo en un lugar seco antes de usarla.**

Servicio

1. **Haga que una persona calificada repare la herramienta eléctrica utilizando sólo piezas de repuesto idénticas.** Esto asegura que se mantenga la seguridad de la herramienta eléctrica.
2. **Nunca dé servicio a baterías que estén dañadas.** El servicio a las baterías solamente deberá ser efectuado por el fabricante o un agente de servicio autorizado.

CONSERVE ESTAS INSTRUCCIONES.

⚠ADVERTENCIA: NO DEJE que la comodidad o familiaridad con el producto (a base de utilizarlo repetidamente) evite que siga estrictamente las normas de seguridad para dicho producto.

El USO INCORRECTO o el no seguir las normas de seguridad indicadas en este manual de instrucciones puede ocasionar lesiones graves.

⚠ADVERTENCIA: El uso de este producto puede producir polvo que contenga sustancias químicas que podrían causar enfermedades respiratorias o de otro tipo. Algunos ejemplos de estas sustancias químicas son los compuestos encontrados en pesticidas, insecticidas, fertilizantes y herbicidas.

El riesgo al que se expone varía, dependiendo de la frecuencia con la que realice este tipo de trabajo. Para reducir la exposición a estas sustancias químicas: trabaje en un área bien ventilada y use un equipo de seguridad aprobado, tal como las máscaras contra polvo que están especialmente diseñadas para filtrar partículas microscópicas.

Seguridad eléctrica y de la batería

1. **No arroje la(s) batería(s) al fuego.** La celda podría explotar. Consulte los códigos locales para ver si hay instrucciones especiales relativas al desecho.
2. **No abra ni dañe la(s) batería(s).** Los electrolitos liberados son corrosivos y pueden ocasionar daños en los ojos o la piel. Pueden ser tóxicos si se llegan a tragar.

Símbolos

A continuación se muestran los símbolos utilizados para la herramienta.

V	volts o voltios
— — —	corriente directa o continua

Instrucciones importantes de seguridad para el cartucho de batería

1. Antes de utilizar el cartucho de batería, lea todas las instrucciones e indicaciones de precaución en el (1) el cargador de batería, (2) la batería, y (3) el producto con el que se utiliza la batería.
2. No desarme ni modifique el cartucho de batería. Podría ocurrir un incendio, calor excesivo o una explosión.
3. Si el tiempo de operación se ha acortado en exceso, deje de operar de inmediato. Podría correrse el riesgo de sobrecalentamiento, posibles quemaduras e incluso explosión.
4. En caso de que ingresen electrolitos en sus ojos, enjuáguelos bien con agua limpia y consulte de inmediato a un médico. Esto podría ocasionar pérdida de visión.
5. Evite cortocircuitar el cartucho de batería:
 - (1) No toque las terminales con ningún material conductor.
 - (2) Evite guardar el cartucho de batería en un cajón junto con otros objetos metálicos, tales como clavos, monedas, etc.
 - (3) No esponga el cartucho de batería al agua o la lluvia.

Un cortocircuito en la batería puede causar un flujo grande de corriente, sobrecalentamiento, posibles quemaduras e incluso una descompostura.

6. No guarde ni utilice la herramienta y el cartucho de batería en lugares donde la temperatura pueda alcanzar o exceder los 50 °C (122 °F).
7. Nunca incinere el cartucho de batería incluso en el caso de que esté dañado seriamente o ya no sirva en absoluto. El cartucho de batería puede explotar si se tira al fuego.
8. No clave, corte, aplaste, lance o deje caer el cartucho de batería, ni golpee un objeto sólido contra el cartucho de batería. Dicha acción podría resultar en un incendio, calor excesivo o en una explosión.
9. No use una batería dañada.
10. Las baterías de ión de litio están sujetas a los requisitos reglamentarios en materia de bienes peligrosos.

Para el transporte comercial, por ej., mediante terceros o agentes de transporte, se deben tomar en cuenta los requisitos especiales relativos al empaque y el etiquetado. Para efectuar los preparativos del artículo que se va a enviar, se requiere consultar a un experto en materiales peligrosos. Si es posible, consulte además otras regulaciones nacionales más detalladas. Pegue o cubra con cinta adhesiva los contactos abiertos y empaque la batería de manera que ésta no pueda moverse dentro del paquete.

11. Para deshacerse del cartucho de batería, sáquelo de la herramienta y deséchelo en un lugar seguro. Siga las regulaciones locales relacionadas al desecho de las baterías.
12. Utilice las baterías únicamente con los productos especificados por Makita. Instalar las baterías en productos que no cumplan con los requisitos podría ocasionar un incendio, un calentamiento excesivo, una explosión o una fuga de electrolito.
13. Si no se utiliza la herramienta por un período largo, debe extraerse la batería de la herramienta.
14. El cartucho de batería podría absorber calor durante y después de su uso, lo que ocasionaría quemaduras o quemaduras a baja temperatura. Tenga cuidado con la manipulación de los cartuchos de batería que estén calientes.
15. No toque el terminal de la herramienta inmediatamente después de su uso, ya que el mismo podría estar lo suficientemente caliente como para provocar quemaduras.
16. No permita que las rebabas, el polvo o la tierra queden atrapados en los terminales, orificios y ranuras del cartucho de batería. Esto podría ocasionar un desempeño deficiente o descompostura de la herramienta o del cartucho de batería.
17. No utilice el cartucho de batería cerca de cables eléctricos de alto voltaje, a menos que la herramienta sea compatible con el uso cercano a estos cables eléctricos de alto voltaje. Esto podría ocasionar una avería o descompostura de la herramienta o del cartucho de batería.
18. Mantenga la batería alejada de los niños.

GUARDE ESTAS INSTRUCCIONES.

⚠PRECAUCIÓN: Utilice únicamente baterías originales de Makita. El uso de baterías no originales de Makita, o de baterías alteradas, puede ocasionar que las baterías exploten causando un incendio, lesiones personales y daños. Asimismo, esto invalidará la garantía de Makita para la herramienta y el cargador Makita.

Consejos para alargar al máximo la vida útil de la batería

1. Cargue el cartucho de batería antes de que se descargue completamente. Pare siempre la operación y cargue el cartucho de batería cuando note menos potencia en la herramienta.
2. No cargue nunca un cartucho de batería que esté completamente cargado. La sobrecarga acortará la vida de servicio de la batería.
3. Cargue el cartucho de batería a una temperatura ambiente de 10 °C - 40 °C (50 °F - 104 °F). Si un cartucho de batería está caliente, déjelo enfriar antes de cargarlo.
4. Cuando no utilice el cartucho de batería, sáquelo de la herramienta o del cargador.
5. Cargue el cartucho de batería si no va a utilizarlo durante un período prolongado (más de seis meses).

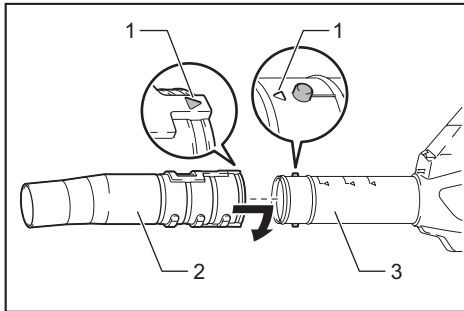
MONTAJE

⚠ PRECAUCIÓN: Asegúrese siempre de que la máquina esté apagada y la unidad portátil de alimentación eléctrica esté desconectada de la máquina antes de realizar cualquier trabajo en la máquina.

Instalación de la boquilla de extremo

Alinee la marca triangular de la boquilla de extremo con la marca triangular del tubo frontal, luego conecte la boquilla de extremo al tubo frontal y luego gire la boquilla de extremo para bloquearla en su lugar.

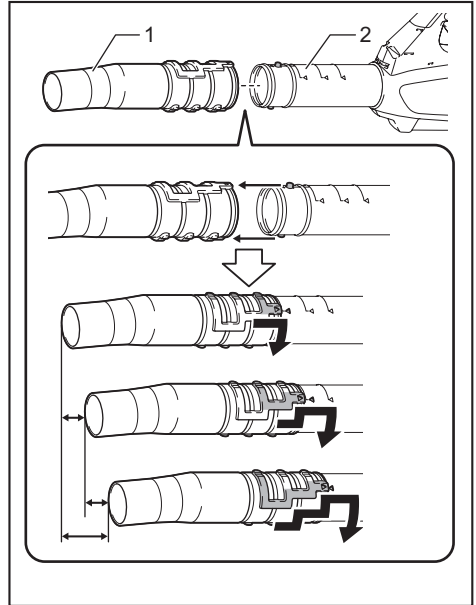
Instale la boquilla de extremo, de manera que la punta de la boquilla quede mirando hacia abajo. Usted puede instalar la boquilla de extremo, de manera que la punta de la boquilla quede mirando hacia arriba, dependiendo del entorno de trabajo.



- ▶ 1. Marca de triángulo 2. Boquilla de extremo
- 3. Tubo frontal

Para extraer la boquilla de extremo, realice el procedimiento de instalación en orden inverso.

NOTA: La longitud de la boquilla se puede modificar moviendo la boquilla tal como se muestra en la ilustración.

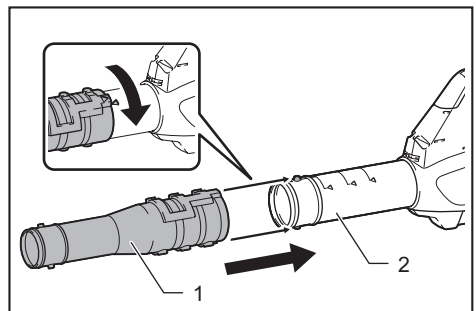


- ▶ 1. Boquilla de extremo 2. Tubo frontal

Instalación de la boquilla plana o boquilla de extensión

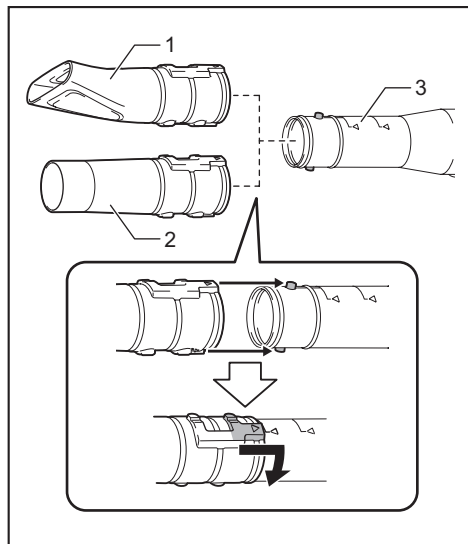
Accesorio opcional

1. Alinee la ranura en el tubo adaptador con la protuberancia del tubo frontal, luego conecte el tubo adaptador al tubo frontal y luego gírelo para bloquearlo en su lugar.



- ▶ 1. Tubo adaptador 2. Tubo frontal

2. Alinee la ranura de la boquilla plana o de la boquilla de extensión con la protuberancia del tubo adaptador, luego coloque la boquilla plana o la boquilla de extensión al tubo adaptador y luego gírelo para asegurarlo en su lugar.



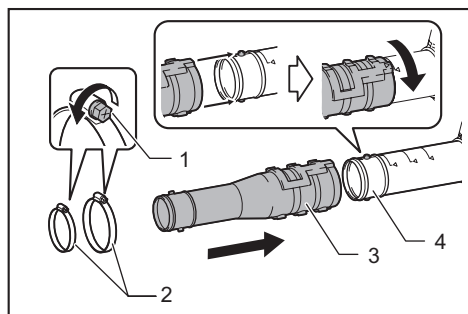
► 1. Boquilla plana 2. Boquilla de extensión 3. Tubo adaptador

Instalación del juego de extensión para boquilla para canaleta

Accesorio opcional

1. Alinee la ranura en el tubo adaptador con la protuberancia del tubo frontal, luego conecte el tubo adaptador al tubo frontal y luego gírelo para bloquearlo en su lugar.

Inserte el tubo adaptador hasta el máximo de su recorrido, para que la protuberancia quepa en la ranura más profunda del tubo adaptador.

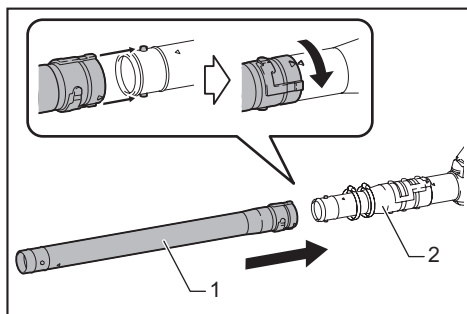


► 1. Tornillo 2. abrazadera para manguera 3. Tubo adaptador 4. Tubo frontal

2. Afloje los tornillos de las abrazaderas para manguera y pase la abrazadera grande para manguera por el tubo adaptador, luego pase la abrazadera chica para manguera.

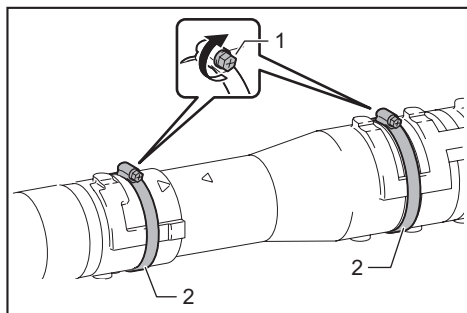
3. Conexión del tubo de extensión al tubo adaptador.

Alinee la ranura del tubo de extensión con la protuberancia del tubo adaptador, y luego deslice el tubo de extensión a lo largo de su ranura, de modo que las marcas triangulares queden orientadas entre sí.



► 1. Tubo de extensión 2. Tubo adaptador

4. Coloque las abrazaderas para manguera sobre las ranuras como se ilustra y apriete los tornillos.

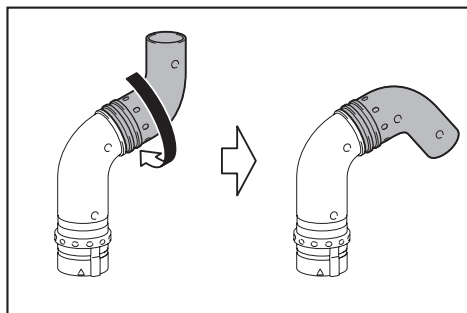


► 1. Tornillo 2. Abrazadera para manguera

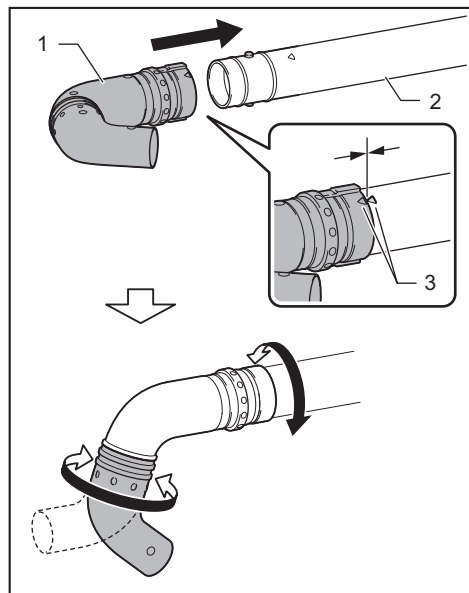
5. De acuerdo con la altura de trabajo, conecte el resto de los tubos de extensión al tubo de extensión, el cual ya haya sido colocado.

⚠PRECAUCIÓN: No coloque el tubo de extensión si la longitud total que incluya el cuerpo de la sopladora supere los 4 metros (14 ft).

6. Gire la salida de la boquilla de extremo, tal como se muestra en la ilustración.

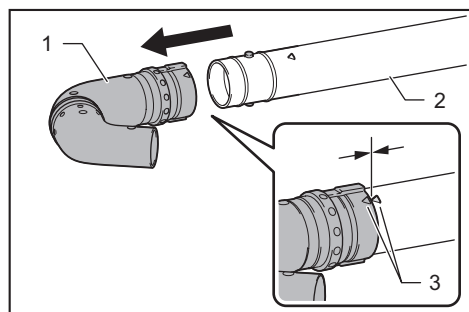


7. Conecte la boquilla de extremo al tubo de extensión. Cuando los conecte, alinee la marca triangular de la boquilla de extremo y el tubo de extensión, y luego empuje la boquilla de extremo hasta que haga clic. Después de esto, gire la boquilla de extremo a una posición adecuada para su trabajo.



- 1. Boquilla de extremo 2. Tubo de extensión
3. Marca triangular

Cuando retire la boquilla de extremo, alinee las marcas triangulares de la boquilla de extremo y del tubo de extensión, y luego jale la boquilla de extremo del tubo de extensión.



- 1. Boquilla de extremo 2. Tubo de extensión
3. Marca triangular

DESCRIPCIÓN DEL FUNCIONAMIENTO

⚠PRECAUCIÓN: Asegúrese siempre de que la máquina esté apagada y la unidad portátil de alimentación eléctrica esté desconectada de la máquina antes de realizar cualquier ajuste o revisión del funcionamiento de la máquina.

Sistema de protección de la máquina/batería

Esta máquina está equipada con un sistema de protección de la máquina/batería. Este sistema corta automáticamente la alimentación al motor para prolongar la vida útil de la máquina y la batería. La máquina se detendrá automáticamente durante la operación si la máquina o la batería se someten a una de las siguientes condiciones.

Protección contra sobrecarga

Cuando la máquina o la batería se estén utilizando de una manera que cause que consuman una cantidad de corriente anormalmente alta, la máquina se detendrá automáticamente y la luz indicadora de alimentación principal de la máquina parpadeará en color verde. En esta situación, apague la máquina y detenga la aplicación que haya causado que la máquina se sobrecargara. Luego encienda la máquina para volver a arrancarla.

Protección contra sobrecalentamiento

Cuando la máquina o la batería se sobrecalientan, ésta se detiene automáticamente. Cuando la máquina se sobrecalienta, la luz indicadora de alimentación principal se ilumina en rojo. Cuando la batería se sobrecalienta, la luz indicadora de alimentación principal de la máquina parpadea en rojo. Permita que la máquina y la batería se enfríen antes de volver a encender la máquina.

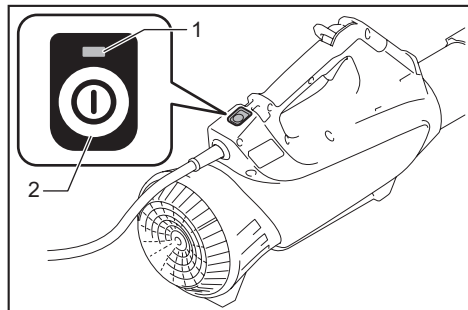
Protección en caso de sobredescarga

Cuando la capacidad de la batería no sea suficiente, la máquina se detendrá automáticamente y la luz indicadora de alimentación principal de la máquina parpadeará en rojo. En este caso, extraiga la batería de la máquina y cargue la batería, o reemplace la batería por una completamente cargada.

Interruptor de alimentación principal

⚠ ADVERTENCIA: Siempre apague el interruptor de alimentación principal cuando no lo vaya a utilizar.

Para encender la máquina, oprima el interruptor de alimentación principal. La luz indicadora de alimentación principal se iluminará en verde. Para apagarla, oprima nuevamente el interruptor de alimentación principal.



- ▶ 1. Luz indicadora de alimentación principal
- ▶ 2. Interruptor de alimentación principal

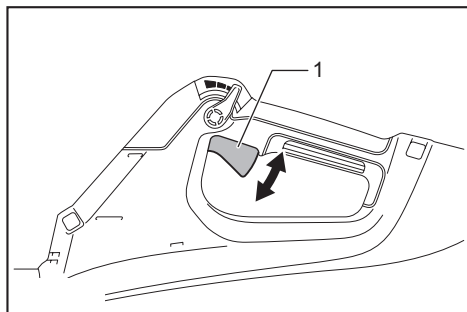
NOTA: Esta máquina emplea la función de apagado automático. Para evitar un arranque accidental, el interruptor de alimentación principal se desactivará automáticamente cuando el gatillo interruptor no haya sido jalado durante cierto período después de haber activado el interruptor de alimentación principal.

NOTA: Si usted oprime el interruptor de alimentación principal cuando la palanca de control no haya regresado por completo a la posición de apagado, o mientras aprieta el gatillo interruptor, la luz indicadora de alimentación principal parpadea en verde. En este caso, regrese la palanca de control por completo o suelte el gatillo interruptor, y luego oprima el interruptor de alimentación principal.

Accionamiento del interruptor

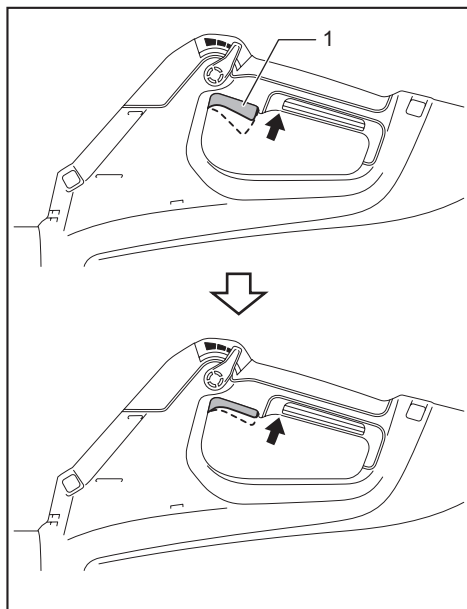
⚠ ADVERTENCIA: Antes de conectar la unidad portátil de alimentación eléctrica a la máquina, compruebe siempre que el gatillo interruptor se acciona debidamente y que regrese a la posición de apagado una vez que se suelte.

Para poner en marcha la máquina, simplemente apriete el gatillo interruptor. La velocidad de la máquina aumentará al incrementar la presión en el gatillo interruptor. Para detener la máquina, suelte el gatillo interruptor.



- ▶ 1. Gatillo interruptor

Puede utilizar la máquina en el modo de propulsión reforzada (boost). En el modo de propulsión reforzada, el volumen de aire es mayor que en el modo normal. Para usar la máquina en el modo de propulsión reforzada, jale del gatillo interruptor hasta que el gatillo interruptor se detenga en la posición intermedia, y luego oprima el gatillo interruptor por completo.



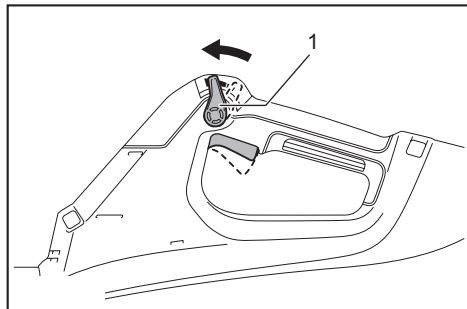
- ▶ 1. Gatillo interruptor

NOTA: Dependiendo de las condiciones de uso, el uso del modo de propulsión reforzada queda restringido para proteger la máquina. Si la luz indicadora de alimentación principal de la máquina parpadea en verde cuando usted oprime el gatillo interruptor por completo o mientras está utilizando la máquina en el modo de propulsión reforzada, el modo de propulsión reforzada no está disponible.

NOTA: El modo de propulsión reforzada no está disponible al girar la palanca de control.

Función de control de velocidad

La función de control de velocidad permite al operador mantener una velocidad constante sin apretar del gatillo. Para aumentar la velocidad, gire la palanca de control hacia adelante. Para disminuir la velocidad, gire la palanca de control hacia atrás.



► 1. Palanca de control

Función para evitar el encendido accidental

Incluso si conecta la unidad portátil de alimentación eléctrica a la máquina mientras oprime el gatillo interruptor, la máquina no arranca. Para arrancar la máquina, primero suelte el gatillo interruptor y regrese la palanca de control completamente, y luego jale el gatillo interruptor.

OPERACIÓN

Conexión de la unidad portátil de alimentación eléctrica

⚠PRECAUCIÓN: Cuando utilice la máquina en combinación con una fuente de alimentación eléctrica tipo mochila como una unidad portátil de alimentación eléctrica, use la banda para colgado incluida en el paquete de la máquina o la banda para colgado recomendada por Makita.

Si se pone el arnés para hombros que no sea recomendado por Makita y el arnés para hombros de la fuente de alimentación tipo mochila al mismo tiempo, es difícil quitar la máquina o la fuente de alimentación tipo mochila en caso de emergencia, y podría causar un accidente o lesión. Para la banda para colgado recomendada, pregunte a los centros de servicio autorizado de Makita.

⚠PRECAUCIÓN: Antes de la operación, asegúrese de que las hebillas del cinturón estén aseguradas y que la máquina esté bien sujeta al gancho de la banda para colgado.

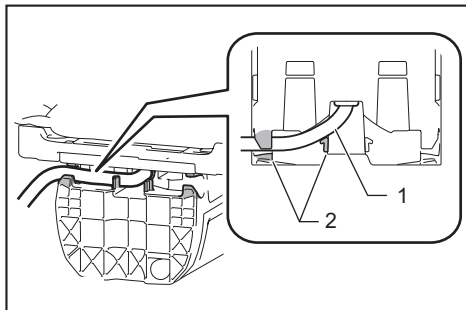
⚠PRECAUCIÓN: Para evitar un arranque accidental, asegúrese de que la máquina y la unidad portátil de alimentación eléctrica estén apagadas antes de iniciar este procedimiento.

⚠PRECAUCIÓN: Antes de realizar este procedimiento, acabe los ajustes para el cinturón y el arnés para hombros. Consulte el manual de instrucciones para los detalles de la unidad portátil de alimentación eléctrica.

NOTA: Antes de realizar este procedimiento, instale el/los cartucho(s) de batería a la unidad portátil de alimentación eléctrica. Consulte el manual de instrucciones para los detalles de la unidad portátil de alimentación eléctrica.

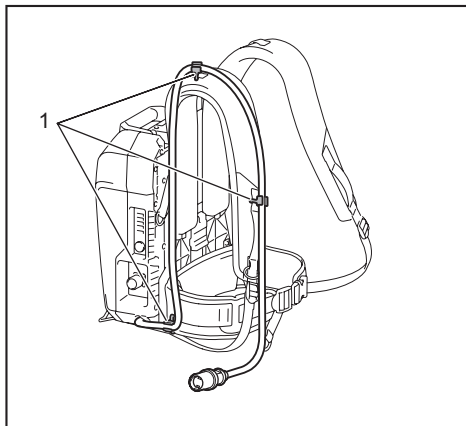
1. Jale hacia afuera el cable ya sea del lado izquierdo o derecho de la batería.

Cuando jale el cable hacia afuera, asegúrese de fijar el cable en los sujetadores tal como se muestra en la figura.



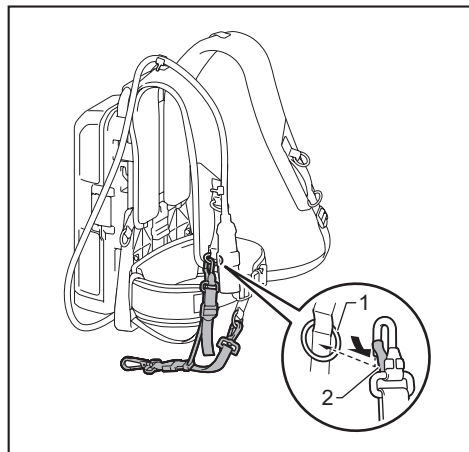
► 1. Cable 2. Sujetador

2. Acople el cable en los sujetadores de cable.



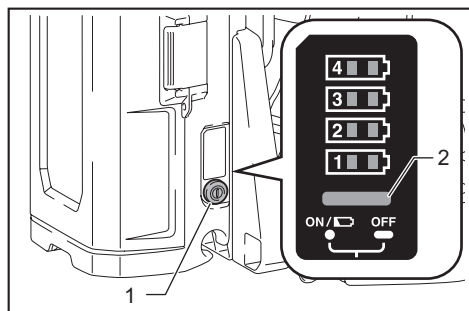
► 1. Sujetador de cable

3. Acople los ganchos de la banda para colgado a los anillos del arnés para hombros y del cinturón.



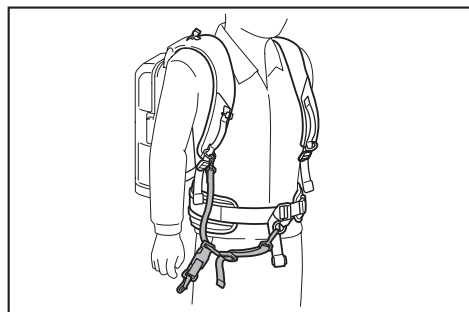
► 1. Anillo 2. Gancho

4. Oprima el botón de encendido en la unidad portátil de alimentación eléctrica. La lámpara de alimentación principal se encenderá.

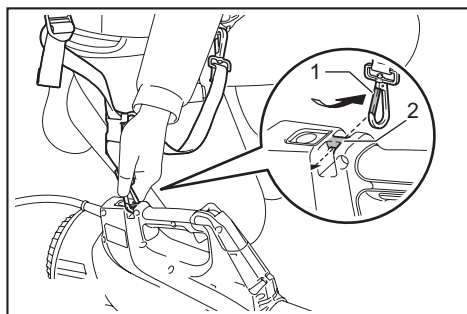


► 1. Botón de encendido 2. Lámpara de alimentación principal

5. Colóquese el arnés para el hombro de la unidad portátil de alimentación eléctrica y asegure la hebilla en el cinturón.

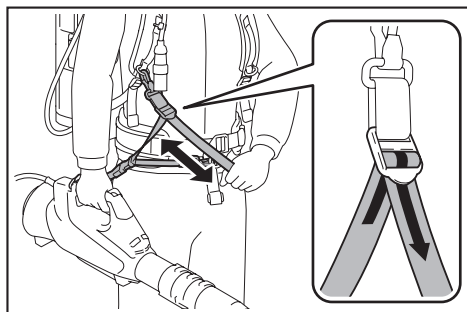


6. Coloque el arnés para hombros en la máquina mediante el gancho de la banda para colgado. Asegúrese de engancharse al colgador de la máquina.

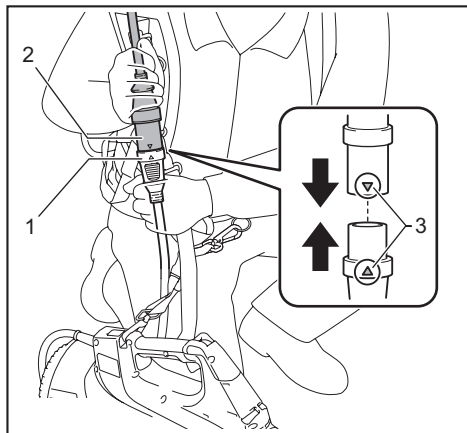


► 1. Gancho 2. Colgador

Ajuste la longitud de la banda para colgado como sea necesario.



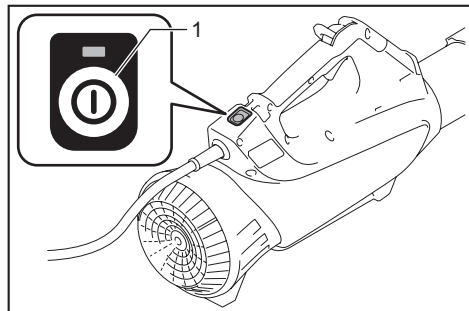
7. Inserte el enchufe de la máquina en el enchufe hembra de la unidad portátil de alimentación eléctrica. Cuando lo inserte, alinee la marca triangular tanto en el enchufe como en el enchufe hembra.



► 1. Enchufe 2. Enchufe hembra 3. Marca triangular

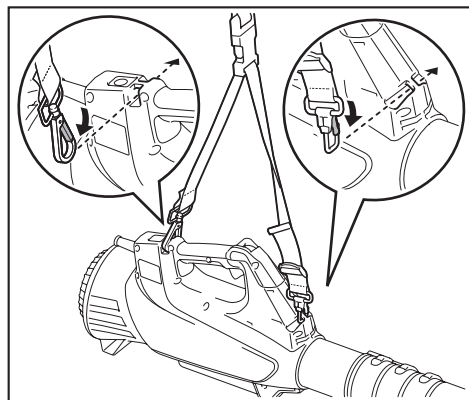
8. Oprima el interruptor de alimentación principal para encender la máquina.

La máquina está lista para funcionar. La máquina funcionará cuando jale del gatillo interruptor.

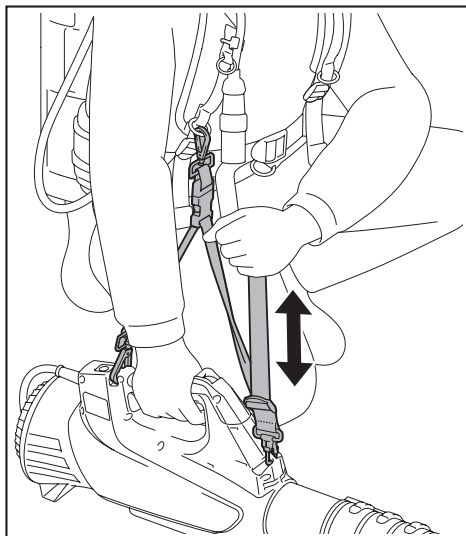


► 1. Interruptor de alimentación principal

NOTA: Usted también puede usar la banda para colgado tal como se muestra en la ilustración.



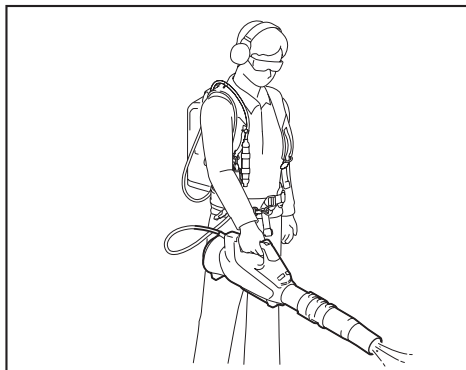
Ajuste la longitud de la banda para colgado como sea necesario.



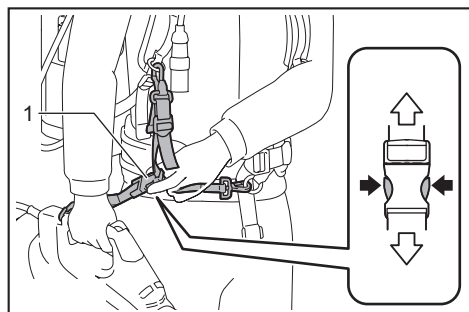
Operación de soplado

⚠PRECAUCIÓN: No coloque la máquina en el suelo mientras esté encendida. Arena o polvo pueden entrar desde la entrada de succión y ocasionar una falla o una lesión personal.

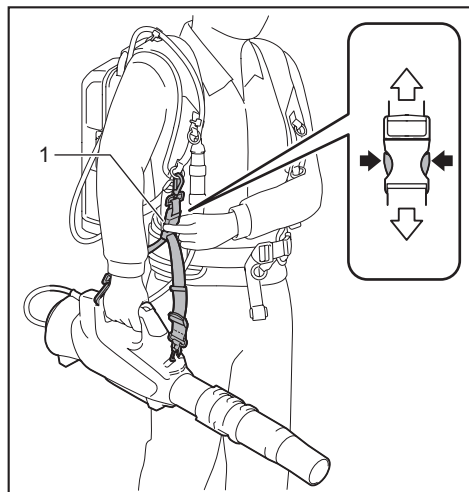
Sujete la máquina firmemente con una mano y realice la operación de soplado moviéndola lentamente. Al soplar alrededor de un edificio, piedras grandes o vehículos, dirija la boquilla lejos de ellos. Cuando realice una operación en una esquina, comience desde la esquina y luego muévase al área más amplia.



Cuando ponga la máquina en el piso, desbloquee la hebilla de la banda para colgado con una mano mientras sostiene la máquina con la otra mano.

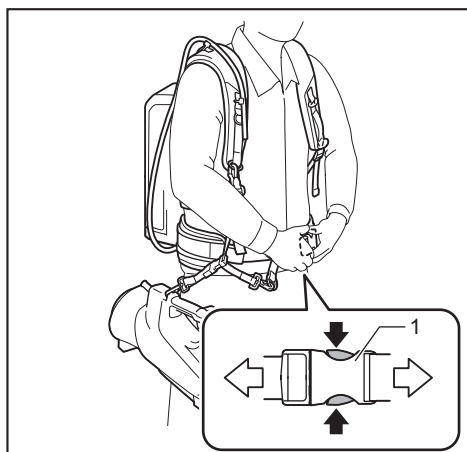


► 1. Hebilla



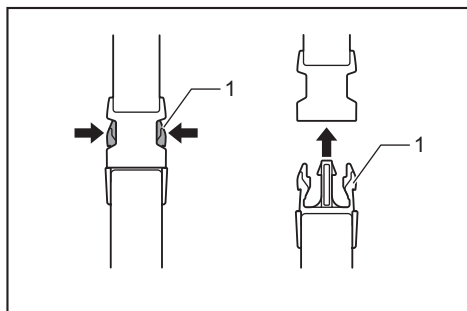
► 1. Hebilla

Cuando ponga la máquina y la unidad portátil de alimentación eléctrica en el piso al mismo tiempo, desbloquee la hebilla del cinturón, y luego ponga la máquina y la unidad portátil de alimentación eléctrica en el piso.



► 1. Hebilla

NOTA: Cuando desbloquee la hebilla, oprima las partes salientes de la hebilla en ambos lados. Cuando bloquee la hebilla, inserte las partes salientes hasta que queden asegurados.

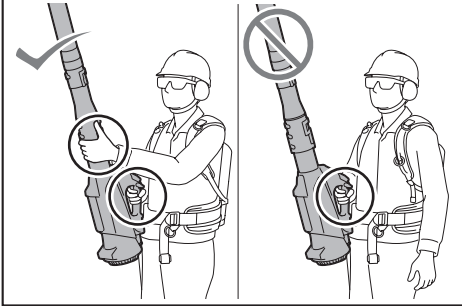


► 1. Parte saliente

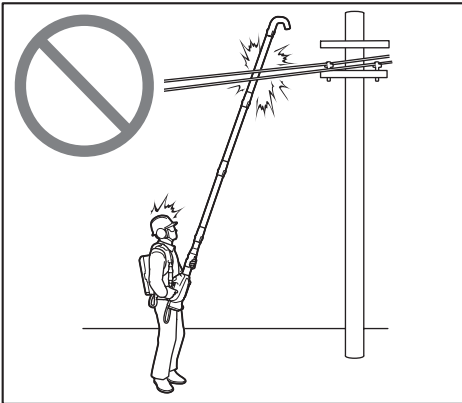
Uso del juego de extensión para boquilla para canaleta

⚠PRECAUCIÓN: Cuando utilice el juego de extensión para boquilla para canaleta, no utilice la máquina en el modo de propulsión reforzada. Puede perder el equilibrio y esto podría causar un accidente, ya que el volumen de aire aumenta en el modo de propulsión reforzada.

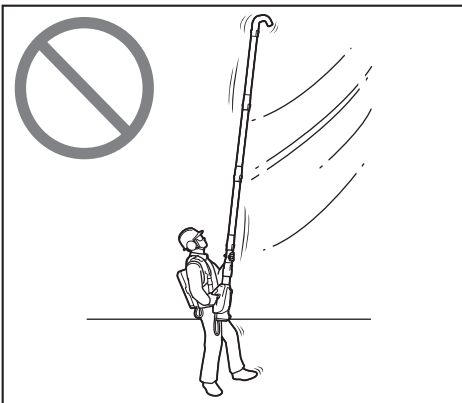
⚠PRECAUCIÓN: Cuando utilice el juego de extensión para boquilla para canaleta, no sujete la sopladora con una sola mano, sino con las dos.



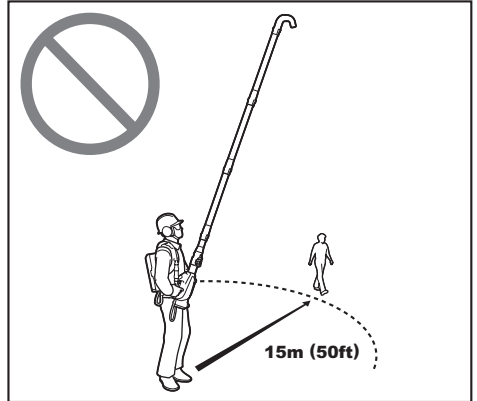
⚠PRECAUCIÓN: No utilice el juego de extensión para boquilla para canaleta cerca de cables eléctricos.



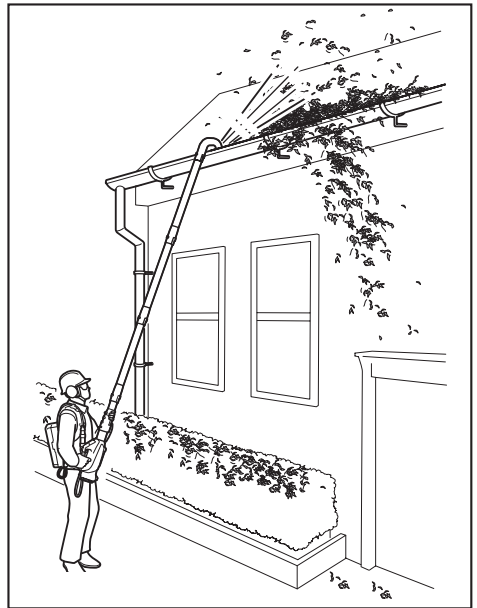
⚠PRECAUCIÓN: No utilice el juego de extensión para boquilla para canaleta en un día con viento.



⚠PRECAUCIÓN: Cuando utilice el juego de extensión para boquilla para canaleta, mantenga a las personas o animales alrededor a más de 15 m (50 ft) de distancia de la sopladora.



Mantenga la sopladora erguida al sostener el mango de la sopladora. Coloque la salida de la sopladora sobre la canaleta y luego encienda la sopladora.



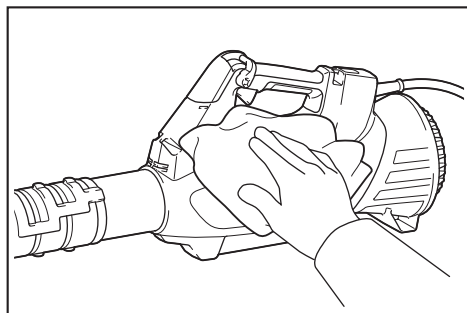
MANTENIMIENTO

⚠ PRECAUCIÓN: Asegúrese siempre de que la máquina esté apagada y la unidad portátil de alimentación eléctrica esté desconectada de la máquina, antes de intentar realizar una inspección o mantenimiento sobre la misma.

Para mantener la SEGURIDAD y FIABILIDAD del producto, las reparaciones, y cualquier otra tarea de mantenimiento o ajuste deberán ser realizadas en centros de servicio autorizados o de fábrica Makita, empleando siempre repuestos Makita.

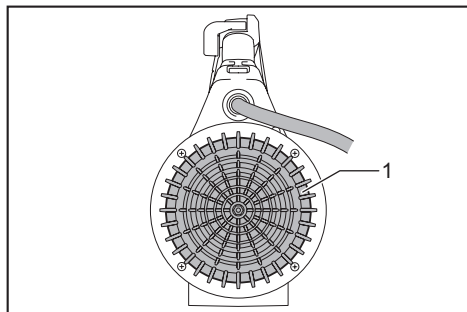
Limpeza de la máquina

Quite el polvo de la máquina con un paño seco o humedezca un paño en agua y jabón y exprímalo para limpiarla.



AVISO: Nunca use gasolina, bencina, diluyente (tíner), alcohol o sustancias similares. Puede que esto ocasione grietas o descoloramiento.

Retire el polvo o la suciedad de la entrada de succión en la parte posterior de la máquina.

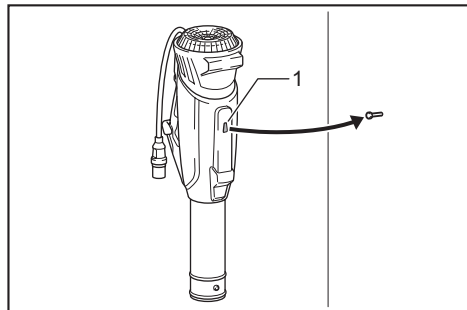


► 1. Entrada de succión

Almacenamiento

Antes de almacenar la máquina, desconecte la unidad portátil de alimentación eléctrica de la máquina, y realice un mantenimiento completo. Almacene la máquina en un lugar fuera del alcance de los niños y que no esté expuesta a la humedad, lluvia o a la luz directa del sol.

El orificio para el gancho en la parte inferior de la máquina resulta útil para colgarla en la pared usando un clavo o tornillo.



► 1. Orificio

RESOLUCIÓN DE PROBLEMAS

Antes de solicitar alguna reparación, primero realice una inspección por su cuenta. Si detecta algún problema que no esté explicado en el manual, no intente desensamblar la máquina. En vez de esto, solicite la reparación a un centro de servicio autorizado de Makita, usando siempre piezas de repuesto Makita.

Estado de la anomalía	Causa probable (avería)	Remedio
El motor no funciona.	La batería no está instalada.	Instale la batería.
	Problema con la batería (bajo voltaje)	Recargue la batería. Si la recarga no es efectiva, reemplace la batería.
	El sistema de accionamiento no funciona correctamente.	Solicite la reparación en el centro de servicio autorizado de su localidad.
El motor deja de funcionar después de un rato de uso.	El nivel de carga de la batería es bajo.	Recargue la batería. Si la recarga no es efectiva, reemplace la batería.
	Sobrecalentamiento.	Deje de usar la máquina para permitir que se enfríe.
La máquina no alcanza la velocidad máxima.	La batería está mal instalada.	Instale la batería como se describe en este manual.
	La potencia de la batería se está reduciendo.	Recargue la batería. Si la recarga no es efectiva, reemplace la batería.
	El sistema de accionamiento no funciona correctamente.	Solicite la reparación en el centro de servicio autorizado de su localidad.
Vibración anormal: ⇒ ¡Detenga la máquina inmediatamente!	El sistema de accionamiento no funciona correctamente.	Solicite la reparación en el centro de servicio autorizado de su localidad.
El motor no se puede detener: ⇒ ¡Extraiga la batería inmediatamente!	Avería eléctrica o electrónica.	Extraiga la batería y solicite la reparación en el centro de servicio autorizado de su localidad.

ACCESORIOS OPCIONALES

⚠PRECAUCIÓN: Estos accesorios o aditamentos están recomendados para utilizarse con su producto de Makita especificado en este manual. El uso de cualquier otro accesorio o aditamento puede ocasionar riesgo de lesiones personales. Use los accesorios o aditamentos sólo para los propósitos para los que fueron diseñados.

Si necesita cualquier ayuda para más detalles en relación con estos accesorios, pregunte a su centro de servicio local Makita.

- Tubo adaptador
- Boquilla de extensión
- Boquilla plana
- Juego de boquilla para canalones
- Montaje de banda
- Batería y cargador originales de Makita

NOTA: Algunos de los artículos en la lista puede que vengan junto con el paquete del producto como accesorios incluidos. Puede que estos accesorios varíen de país a país.

GARANTÍA LIMITADA DE MAKITA

Ésta Garantía no aplica para México

Consulte la hoja de la garantía anexa para ver los términos más vigentes de la garantía aplicable a este producto. En caso de no disponer de esta hoja de garantía anexa, consulte los detalles sobre la garantía descritos en el sitio web de su país respectivo indicado a continuación.

Estados Unidos de América: www.makitatools.com

Canadá: www.makita.ca

Otros países: www.makita.com

Makita Corporation
3-11-8, Sumiyoshi-cho,
Anjo, Aichi 446-8502 Japan
www.makita.com

885801-942 CBU01-1 EN, ESMX 20200821
