



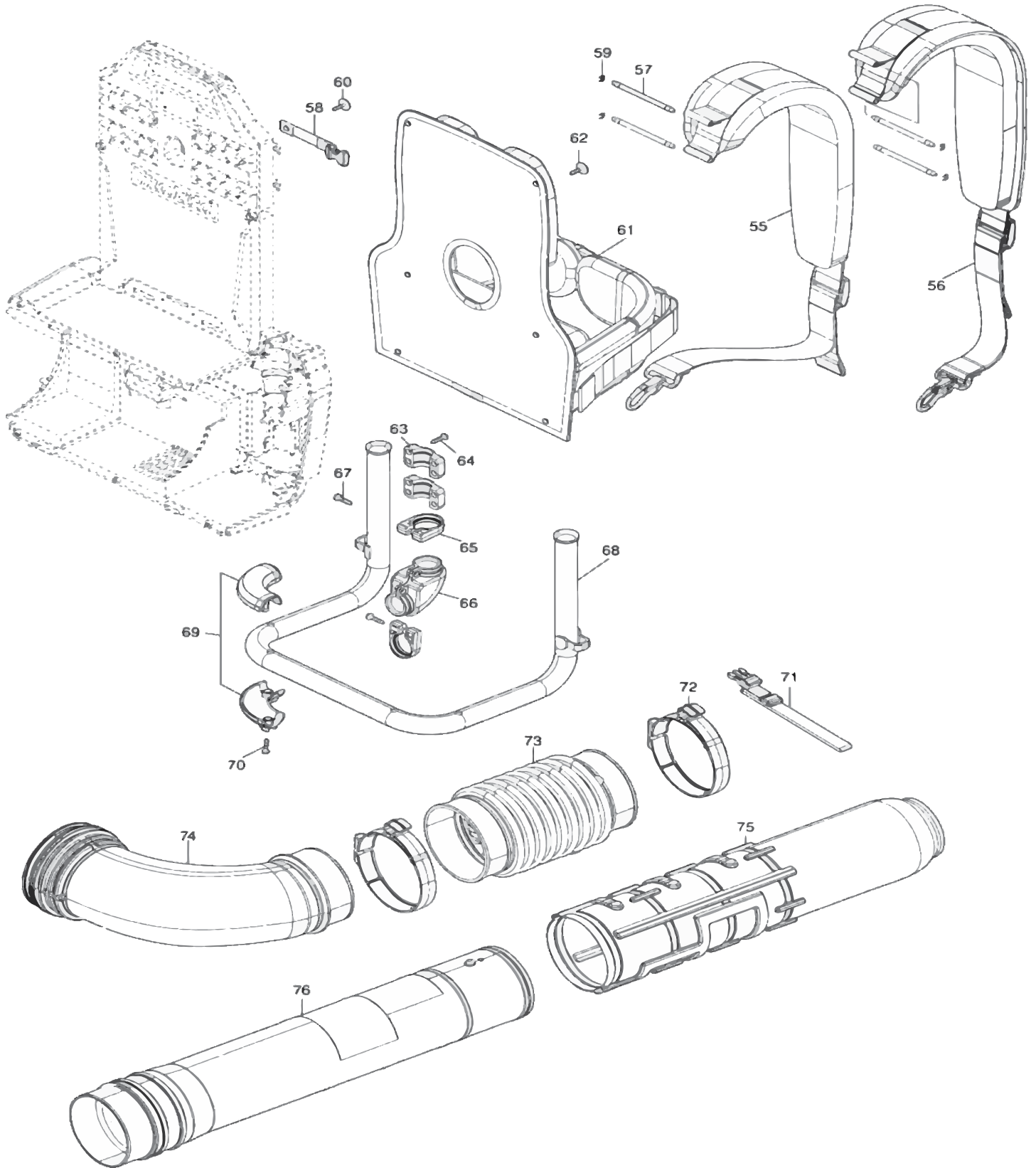
CBU02

Products with multiple versions are listed in subsiding order with the newest version on top not indented.

Section	Fig. No.	Part No.	Description	CBU02	Tech Bulletin	Notes
1	1	266326-2	TAPPING SCREW 4X18	4		
1	2	413G75-6	UPPER HOLDER	1		
1	3	413613-2	HOLDER	2		
1	4	266326-2	TAPPING SCREW 4X18	2		
1	5	141J75-1	FRAME COMPLETE	1		
1	6	413G74-8	CONNECTOR COVER	1		
1	7	232681-4	TORSION SPRING 4	1		
1	8	413G65-9	BOTTOM HOLDER	1		
1	9	266326-2	TAPPING SCREW 4X18	2		
1	10	699202-9	POWER SUPPLY CORD UNIT	1		
1	11	413G66-7	CONTROL LEVER	1		
1	12	183W35-5	LEVER CASE SET	1		INC 24
1		252103-8	HEX. LOCK NUT M5-8	1		INC WITH FIG 12
1	13	253798-0	FLAT WASHER 13	1		
1	14	213154-6	O RING 14	1		
1	15	412754-1	LINK	1		
1	16	266326-2	TAPPING SCREW 4X18	1		
1	17	265C61-7	THUMB SCREW M5X35	1		
1	18	620J51-3	SWITCH CIRCUIT COMPLETE	1		
1	19	140X08-7	SWITCH CIRCUIT COMPLETE	1		
1		810D46-0	SWITCH LABEL	1		INC WITH FIG 19
1	20	651492-2	SWITCH C3JR-1A-PAXD3	1		
1	21	413G68-3	SWITCH LEVER	1		
1	22	266326-2	TAPPING SCREW 4X18	6		
1	23	687260-7	STRAIN RELIEF	1		
1	24	183W35-5	LEVER CASE SET	1		INC 12
1		252103-8	HEX. LOCK NUT M5-8	1		INC WITH FIG 24
1	25	266326-2	TAPPING SCREW 4X18	1		
1	26	699203-7	POWER SUPPLY CORD UNIT	1		
1	27	687051-6	STRAIN RELIEF	1		
1	28	266326-2	TAPPING SCREW 4X18	2		
1	29	687124-5	STRAIN RELIEF	1		
1	30	266326-2	TAPPING SCREW 4X18	4		
1	31	413G73-0	CONTROLLER CASE COVER	1		
1	32	620K47-0	CONTROLLER COMPLETE	1		
1	33	266326-2	TAPPING SCREW 4X18	4		
1	34	141J77-7	CORD COVER COMPLETE	1		

Products with multiple versions are listed in subsiding order with the newest version on top not indented.

Section	Fig. No.	Part No.	Description	CBU02	Tech Bulletin	Notes
1	35	413G61-7	REAR COVER	1		
1	36	413G72-2	FAN GUIDE	1		
1	37	252286-4	COLLARED HEX.LOCK NUT M5-8	1		
1	38	240237-9	FAN 110	1		
1	39	266130-9	TAPPING SCREW BIND PT 3X16	4		
1	40	413G67-5	MOTOR HOUSING COVER	1		
1	41	210040-2	BALL BEARING 698LLU	1		
1	42	519639-3	ROTOR ASS'Y	1		INC 41, 43
1	43	210022-4	BALL BEARING 626DDW	1		
1	44	629B90-2	STATOR COMPLETE	1		
1	45	266130-9	TAPPING SCREW BIND PT 3X16	3		
1	46	413G60-9	MOTOR HOUSING	1		
1	47	422877-7	RUBBER CUSHION	2		
1	48	424721-4	RUBBER RING 115	1		
1	49	422879-3	GROMMET	1		
1	50	266130-9	TAPPING SCREW BIND PT 3X16	3		
1	51	413G64-1	CAP	1		
1	52	141J76-9	HOUSING COMPLETE	1		
1	53	266326-2	TAPPING SCREW 4X18	10		
1	54	422878-5	RUBBER CUSHION	2		
1	77	266326-2	TAPPING SCREW 4X18	5		



Products with multiple versions are listed in subsiding order with the newest version on top not indented.

Section	Fig. No.	Part No.	Description	CBU02	Tech Bulletin	Notes
2	55	161509-8	BAND L	1		
2	56	161510-3	BAND R	1		
2	57	256A28-4	ROD 5	4		
2	58	162B59-8	BAND A COMPLETE	1		
2	59	961011-9	STOP RING E-4	4		
2	60	252274-1	TAPPING SCREW 4X18 WITH W	1		
2	61	162B58-0	CUSHION COMPLETE	1		
2	62	252274-1	TAPPING SCREW 4X18 WITH W	6		
2	63	413G76-4	PIPE FRAME COVER	4		
2	64	266326-2	TAPPING SCREW 4X18	8		
2	65	413K11-6	RUBBER CLAMP	4		
2	66	422917-1	FOOT HOUSING RUBBER	2		
2	67	266326-2	TAPPING SCREW 4X18	4		
2	68	162B57-2	PIPE FRAME COMPLETE	1		
2	69	183W34-7	FOOT HOUSING SET	2		
2	70	266326-2	TAPPING SCREW 4X18	4		
2	71	162B60-3	BAND B COMPLETE	1		
2	72	122C31-8	HOSE CLAMP 110 ASSEMBLY	2		
2		252103-8	HEX. LOCK NUT M5-8	1		INC WITH FIG 72
2		911243-8	PAN HEAD SCREW M5X25	1		INC WITH FIG 72
2		911253-5	PAN HEAD SCREW M5X30	1		INC WITH FIG 72
2	73	413G69-1	FLEXIBLE PIPE 100	1		
2	74	413G71-4	ELBOW	1		
2	75	413G70-6	END NOZZLE 82	1		
2	76	162B56-4	SWIVEL PIPE COMPLETE	1		