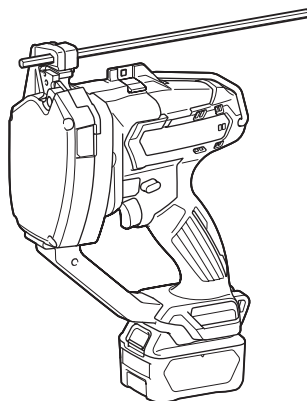


**INSTRUCTION MANUAL  
MANUAL DE INSTRUCCIONES**



# **Cordless Threaded Rod Cutter Cortadora Inalámbrica de Varilla**

## **CS01**



**IMPORTANT:** Read Before Using.

**IMPORTANTE:** Lea antes de usar.

## SPECIFICATIONS

Model:		CS01
Cutting capacities	Mild steel	W3/8, W5/16, W1/4, 3/8-16UNC, 5/16-18UNC, 1/4-20UNC, M10, M8, M6
	Stainless steel	W3/8, 5/16-18UNC, M8, M6
Overall length	180 mm (7-1/8")	
Rated voltage	D.C. 10.8 V - 12 V max	
Net weight	2.7 - 2.8 kg (6.0 - 6.2 lbs)	

- Due to our continuing program of research and development, the specifications herein are subject to change without notice.
- Specifications may differ from country to country.
- The weight may differ depending on the attachment(s), including the battery cartridge. The lightest and heaviest combination, according to EPTA-Procedure 01/2014, are shown in the table.

### Applicable battery cartridge and charger

Battery cartridge	BL1016 / BL1021B / BL1041B
Charger	DC10SB / DC10WD / DC18RE

- Some of the battery cartridges and chargers listed above may not be available depending on your region of residence.

**⚠ WARNING:** Only use the battery cartridges and chargers listed above. Use of any other battery cartridges and chargers may cause injury and/or fire.

### Intended use

The tool is intended for cutting threaded rods.

## SAFETY WARNINGS

### General power tool safety warnings

**⚠ WARNING:** Read all safety warnings, instructions, illustrations and specifications provided with this power tool. Failure to follow all instructions listed below may result in electric shock, fire and/or serious injury.

### Save all warnings and instructions for future reference.

The term "power tool" in the warnings refers to your mains-operated (corded) power tool or battery-operated (cordless) power tool.

#### Work area safety

1. **Keep work area clean and well lit.** Cluttered or dark areas invite accidents.
2. **Do not operate power tools in explosive atmospheres, such as in the presence of flammable liquids, gases or dust.** Power tools create sparks which may ignite the dust or fumes.
3. **Keep children and bystanders away while operating a power tool.** Distractions can cause you to lose control.

#### Electrical Safety

1. **Power tool plugs must match the outlet. Never modify the plug in any way. Do not use any adapter plugs with earthed (grounded) power tools.** Unmodified plugs and matching outlets will reduce risk of electric shock.
2. **Avoid body contact with earthed or grounded surfaces, such as pipes, radiators, ranges and refrigerators.** There is an increased risk of electric shock if your body is earthed or grounded.
3. **Do not expose power tools to rain or wet conditions.** Water entering a power tool will increase the risk of electric shock.
4. **Do not abuse the cord. Never use the cord for carrying, pulling or unplugging the power tool. Keep cord away from heat, oil, sharp edges or moving parts.** Damaged or entangled cords increase the risk of electric shock.
5. **When operating a power tool outdoors, use an extension cord suitable for outdoor use.** Use of a cord suitable for outdoor use reduces the risk of electric shock.
6. **If operating a power tool in a damp location is unavoidable, use a ground fault circuit interrupter (GFCI) protected supply.** Use of a GFCI reduces the risk of electric shock.
7. **Power tools can produce electromagnetic fields (EMF) that are not harmful to the user.** However, users of pacemakers and other similar medical devices should contact the maker of their device and/or doctor for advice before operating this power tool.

## Personal Safety

1. **Stay alert, watch what you are doing and use common sense when operating a power tool. Do not use a power tool while you are tired or under the influence of drugs, alcohol or medication.** A moment of inattention while operating power tools may result in serious personal injury.
2. **Use personal protective equipment. Always wear eye protection.** Protective equipment such as dust mask, non-skid safety shoes, hard hat, or hearing protection used for appropriate conditions will reduce personal injuries.
3. **Prevent unintentional starting. Ensure the switch is in the off-position before connecting to power source and/or battery pack, picking up or carrying the tool.** Carrying power tools with your finger on the switch or energising power tools that have the switch on invites accidents.
4. **Remove any adjusting key or wrench before turning the power tool on.** A wrench or a key left attached to a rotating part of the power tool may result in personal injury.
5. **Do not overreach. Keep proper footing and balance at all times.** This enables better control of the power tool in unexpected situations.
6. **Dress properly. Do not wear loose clothing or jewellery. Keep your hair, clothing and gloves away from moving parts.** Loose clothes, jewellery or long hair can be caught in moving parts.
7. **If devices are provided for the connection of dust extraction and collection facilities, ensure these are connected and properly used.** Use of dust collection can reduce dust-related hazards.
8. **Do not let familiarity gained from frequent use of tools allow you to become complacent and ignore tool safety principles.** A careless action can cause severe injury within a fraction of a second.
9. **Always wear protective goggles to protect your eyes from injury when using power tools. The goggles must comply with ANSI Z87.1 in the USA.**  
It is an employer's responsibility to enforce the use of appropriate safety protective equipment by the tool operators and by other persons in the immediate working area.

## Power tool use and care

1. **Do not force the power tool. Use the correct power tool for your application.** The correct power tool will do the job better and safer at the rate for which it was designed.
2. **Do not use the power tool if the switch does not turn it on and off.** Any power tool that cannot be controlled with the switch is dangerous and must be repaired.
3. **Disconnect the plug from the power source and/or remove the battery pack, if detachable, from the power tool before making any adjustments, changing accessories, or storing power tools.** Such preventive safety measures reduce the risk of starting the power tool accidentally.
4. **Store idle power tools out of the reach of children and do not allow persons unfamiliar with the power tool or these instructions to operate the power tool.** Power tools are dangerous in the hands of untrained users.

5. **Maintain power tools and accessories. Check for misalignment or binding of moving parts, breakage of parts and any other condition that may affect the power tool's operation. If damaged, have the power tool repaired before use.** Many accidents are caused by poorly maintained power tools.
6. **Keep cutting tools sharp and clean.** Properly maintained cutting tools with sharp cutting edges are less likely to bind and are easier to control.
7. **Use the power tool, accessories and tool bits etc. in accordance with these instructions, taking into account the working conditions and the work to be performed.** Use of the power tool for operations different from those intended could result in a hazardous situation.
8. **Keep handles and grasping surfaces dry, clean and free from oil and grease.** Slippery handles and grasping surfaces do not allow for safe handling and control of the tool in unexpected situations.
9. **When using the tool, do not wear cloth work gloves which may be entangled.** The entanglement of cloth work gloves in the moving parts may result in personal injury.

## Battery tool use and care

1. **Recharge only with the charger specified by the manufacturer.** A charger that is suitable for one type of battery pack may create a risk of fire when used with another battery pack.
2. **Use power tools only with specifically designated battery packs.** Use of any other battery packs may create a risk of injury and fire.
3. **When battery pack is not in use, keep it away from other metal objects, like paper clips, coins, keys, nails, screws or other small metal objects, that can make a connection from one terminal to another.** Shorting the battery terminals together may cause burns or a fire.
4. **Under abusive conditions, liquid may be ejected from the battery; avoid contact. If contact accidentally occurs, flush with water. If liquid contacts eyes, additionally seek medical help.** Liquid ejected from the battery may cause irritation or burns.
5. **Do not use a battery pack or tool that is damaged or modified.** Damaged or modified batteries may exhibit unpredictable behaviour resulting in fire, explosion or risk of injury.
6. **Do not expose a battery pack or tool to fire or excessive temperature.** Exposure to fire or temperature above 130 °C may cause explosion.
7. **Follow all charging instructions and do not charge the battery pack or tool outside the temperature range specified in the instructions.** Charging improperly or at temperatures outside the specified range may damage the battery and increase the risk of fire.

## Service

1. **Have your power tool serviced by a qualified repair person using only identical replacement parts.** This will ensure that the safety of the power tool is maintained.

2. **Never service damaged battery packs.** Service of battery packs should only be performed by the manufacturer or authorized service providers.
3. **Follow instruction for lubricating and changing accessories.**
4. **Do not modify or attempt to repair the appliance or the battery pack except as indicated in the instructions for use and care.**

## Cordless threaded rod cutter safety warnings

1. **Hold the tool firmly.**
2. **Secure the workpiece firmly.**
3. **Keep your face and hands away from moving parts.** During cutting, the fraction of the threaded rod may fly off.
4. **Always wear gloves when handling threaded rods.** Edges and chips of the workpiece are sharp.
5. **Do not put the tool on the chips of the workpiece.** Otherwise it can cause damage and trouble on the tool.
6. **Always be sure you have a firm footing. Be sure no one is below when using the tool in high locations.**
7. **Do not touch the cutting edge or the workpiece immediately after operation; they may be extremely hot and could burn your skin.**
8. **Avoid cutting electrical wires.** It can cause serious accident by electric shock.
9. **Always hold the threaded rod during and after cutting to prevent the cut threaded rod from falling off.** A cut threaded rod may cause serious personal injury if fallen off from a high location.
10. **Keep a safe distance between your body and the moving parts. Do not operate the tool if the working area is too narrow to keep a safe distance.**
11. **Never leave the tool on a high location or a potentially unstable surface.**

## SAVE THESE INSTRUCTIONS.

**⚠ WARNING:** DO NOT let comfort or familiarity with product (gained from repeated use) replace strict adherence to safety rules for the subject product.

**MISUSE** or failure to follow the safety rules stated in this instruction manual may cause serious personal injury.

## Symbols

The followings show the symbols used for tool.

V	volts
— — —	direct current

## Important safety instructions for battery cartridge

1. **Before using battery cartridge, read all instructions and cautionary markings on (1) battery charger, (2) battery, and (3) product using battery.**
2. **Do not disassemble battery cartridge.**
3. **If operating time has become excessively shorter, stop operating immediately.** It may result in a risk of overheating, possible burns and even an explosion.
4. **If electrolyte gets into your eyes, rinse them out with clear water and seek medical attention right away.** It may result in loss of your eyesight.
5. **Do not short the battery cartridge:**
  - (1) **Do not touch the terminals with any conductive material.**
  - (2) **Avoid storing battery cartridge in a container with other metal objects such as nails, coins, etc.**
  - (3) **Do not expose battery cartridge to water or rain.**

**A battery short can cause a large current flow, overheating, possible burns and even a breakdown.**

6. **Do not store the tool and battery cartridge in locations where the temperature may reach or exceed 50 °C (122 °F).**
7. **Do not incinerate the battery cartridge even if it is severely damaged or is completely worn out. The battery cartridge can explode in a fire.**
8. **Be careful not to drop or strike battery.**
9. **Do not use a damaged battery.**
10. **The contained lithium-ion batteries are subject to the Dangerous Goods Legislation requirements.** For commercial transports e.g. by third parties, forwarding agents, special requirement on packaging and labeling must be observed. For preparation of the item being shipped, consulting an expert for hazardous material is required. Please also observe possibly more detailed national regulations. Tape or mask off open contacts and pack up the battery in such a manner that it cannot move around in the packaging.
11. **When disposing of the battery cartridge, remove it from the tool and dispose of it in a safe place. Follow your local regulations relating to disposal of battery.**
12. **Use the batteries only with the products specified by Makita.** Installing the batteries to non-compliant products may result in a fire, excessive heat, explosion, or leak of electrolyte.
13. **If the tool is not used for a long period of time, the battery must be removed from the tool.**

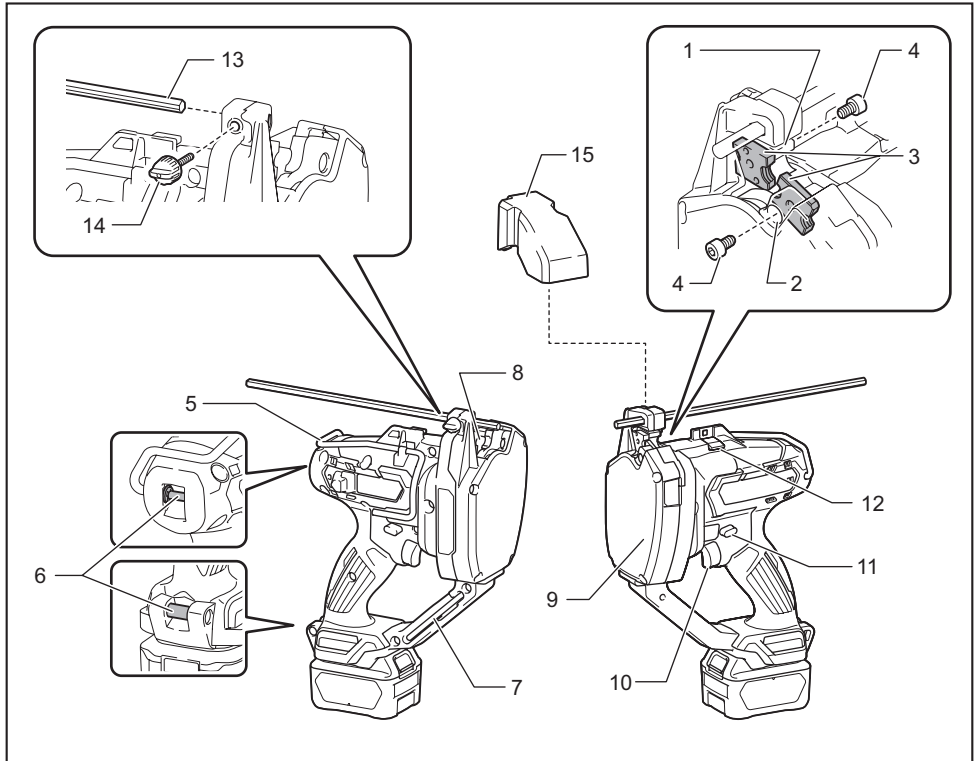
## SAVE THESE INSTRUCTIONS.

**⚠ CAUTION:** Only use genuine Makita batteries. Use of non-genuine Makita batteries, or batteries that have been altered, may result in the battery bursting causing fires, personal injury and damage. It will also void the Makita warranty for the Makita tool and charger.

# Tips for maintaining maximum battery life

1. Charge the battery cartridge before completely discharged. Always stop tool operation and charge the battery cartridge when you notice less tool power.
2. Never recharge a fully charged battery cartridge. Overcharging shortens the battery service life.
3. Charge the battery cartridge with room temperature at 10 °C - 40 °C (50 °F - 104 °F). Let a hot battery cartridge cool down before charging it.

## PARTS DESCRIPTION



1	Stationary mount	2	Movable mount	3	Cutting die	4	Bolt
5	Hook	6	Shoulder strap base (for optional accessory)	7	Hex Wrench	8	Lamp (inside)
9	Front face	10	Switch trigger	11	Reversing switch lever	12	Rod guide
13	Guide scale	14	Clamping screw	15	Cover	-	-

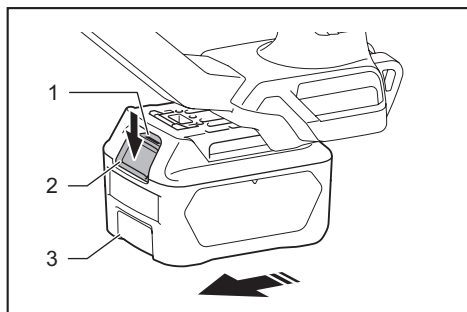
## FUNCTIONAL DESCRIPTION

**CAUTION:** Always be sure that the tool is switched off and the battery cartridge is removed before adjusting or checking function on the tool.

### Installing or removing battery cartridge

**CAUTION:** Always switch off the tool before installing or removing of the battery cartridge.

**CAUTION:** Hold the tool and the battery cartridge firmly when installing or removing battery cartridge. Failure to hold the tool and the battery cartridge firmly may cause them to slip off your hands and result in damage to the tool and battery cartridge and a personal injury.



► 1. Red indicator 2. Button 3. Battery cartridge

To remove the battery cartridge, slide it from the tool while sliding the button on the front of the cartridge.

To install the battery cartridge, align the tongue on the battery cartridge with the groove in the housing and slip it into place. Insert it all the way until it locks in place with a little click. If you can see the red indicator on the upper side of the button, it is not locked completely.

**CAUTION:** Always install the battery cartridge fully until the red indicator cannot be seen. If not, it may accidentally fall out of the tool, causing injury to you or someone around you.

**CAUTION:** Do not install the battery cartridge forcibly. If the cartridge does not slide in easily, it is not being inserted correctly.

### Tool / battery protection system

The tool is equipped with a tool/battery protection system. This system automatically cuts off power to the motor to extend tool and battery life. The tool will automatically stop during operation if the tool or battery is placed under one of the following conditions.

### Overload protection

When the tool is operated in a manner that causes it to draw an abnormally high current, the tool automatically stops without any indication. In this situation, turn the tool off and stop the application that caused the tool to become overloaded. Then turn the tool on to restart.

**NOTE:** Overload protection activates when you try to cut the following kinds of threaded rods.

- A threaded rod which is larger than the cutting die size.
- A threaded rod which is harder than the cutting capacity of the cutting dies.

### Overheat protection

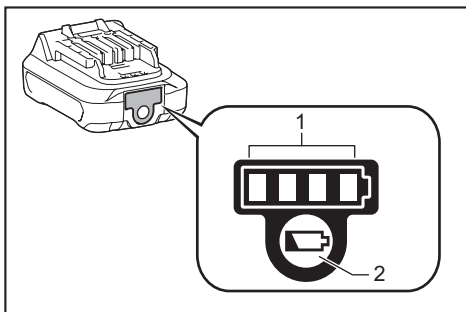
When the tool is overheated, the tool automatically stops and the LED light will blink. Let the tool cool down before turning the tool on again.

### Overdischarge protection

When the battery capacity becomes low, the tool stops automatically. If the product does not operate even when the switches are operated, remove the batteries from the tool and charge the batteries.

### Indicating the remaining battery capacity

Only for battery cartridges with the indicator



► 1. Indicator lamps 2. Check button

Press the check button on the battery cartridge to indicate the remaining battery capacity. The indicator lamps light up for a few seconds.

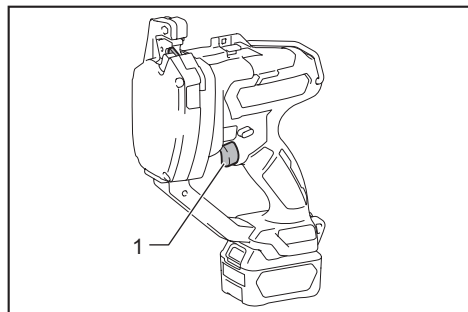
Indicator lamps		Remaining capacity
Lighted	Off	
■ ■ ■ ■	□	75% to 100%
■ ■ ■ □	□	50% to 75%
■ ■ □ □	□	25% to 50%
■ □ □ □	□	0% to 25%

**NOTE:** Depending on the conditions of use and the ambient temperature, the indication may differ slightly from the actual capacity.

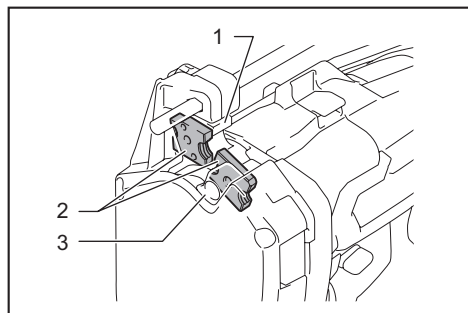
## Switch action

**CAUTION:** Before installing the battery cartridge into the tool, always check to see that the switch trigger actuates properly and returns to the "OFF" position when released.

To start the cutting operation, continue to pull the switch trigger. The cutting die on the movable mount will overlap with the die on the stationary mount and then returns. If you release the switch trigger before completing the cut, the cutting dies will stop.



► 1. Switch trigger



► 1. Stationary mount 2. Cutting die 3. Movable mount

**NOTICE:** Do not operate the tool at no-load unnecessarily.

## Auto-stop function

When you continue to pull the switch trigger, the jaw of the dies once closes and returns to fully opened position then stops. Release the trigger and pull it again to begin the next cutting sequence.

## Reversing switch lever

**WARNING:** When not operating the tool, always set the reversing switch lever to the lock position.

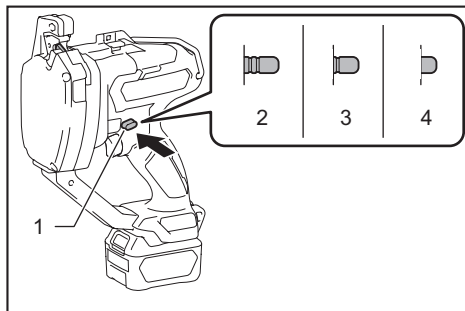
**CAUTION:** Always make sure the position of the reversing switch lever before operating.

**NOTICE:** Do not move the reversing switch lever when the switch trigger is being pulled. This may cause a damage to the tool.

To start the cutting operation, set the reversing switch lever to cutting position.

To reverse the cutting sequence, set the reversing switch lever to the reversing position. When you continue to pull the switch trigger, the jaw of the cutting die opens and stops at fully opened position.

To lock the switch trigger, set the reversing switch lever to the lock position. The switch trigger cannot be pulled in this position.



► 1. Reversing switch lever 2. Cutting position 3. Lock position 4. Reversing position

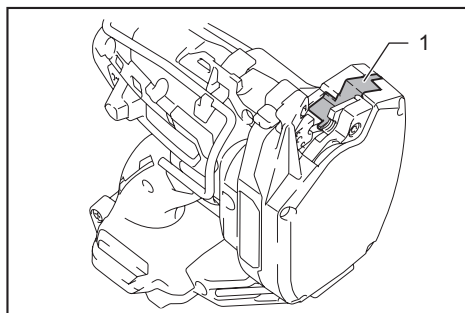
**NOTICE:** When the reversing switch lever is in the reversing position, run the tool only as needed. To prevent the damage to the tool, the tool will automatically stops when it is run in the reversing position continuously.

**NOTE:** After cutting, if you release the switch trigger while the jaw of the cutting die is opening and then set the reversing switch lever to the reversing position, the jaw will once close and then open when you pull the switch trigger again.

## LED light

**CAUTION:** Do not look in the light or see the source of light directly.

Pull the switch trigger to light up the lamp. The lamp keeps on lighting while the switch trigger is being pulled. The lamp goes out approximately 15 seconds after releasing the switch trigger.



► 1. Lamp (inside)

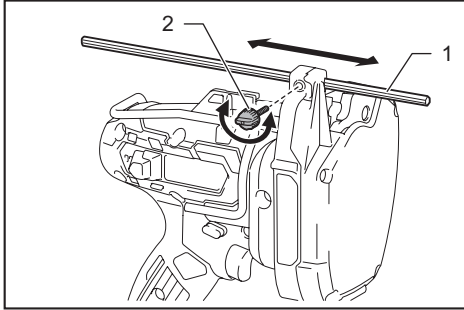
**NOTE:** Use a dry cloth to wipe the dirt off the lens of the lamp. Be careful not to scratch the lens of lamp, or it may lower the illumination.

**NOTE:** When the tool is overheated, the lamp will blink. Let the tool cool down in this case.



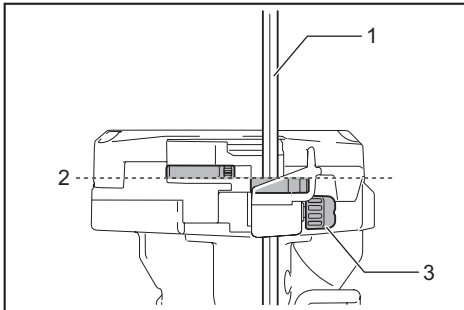
## Guide scale

Use the guide scale if you wish to cut threaded rods in the same length. Insert the guide scale into the hole as shown in the figure.



► 1. Guide scale 2. Clamping screw

Align the value of your desired length on the guide scale with the cutting line. Then tighten the clamping screw.

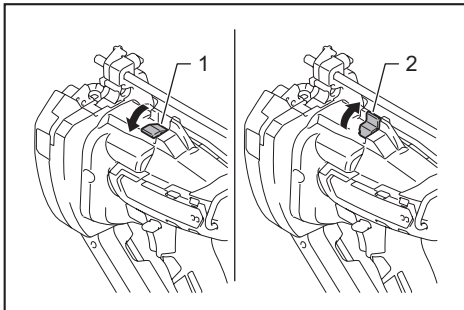


► 1. Guide scale 2. Cutting line 3. Clamping screw

**CAUTION:** Do not hold the guide scale to carry or handle the tool. The tool may fall off and cause personal injury and/or damage to the tool.

## Rod guide

For a precise cutting, set the rod guide in position depending on the diameter of the threaded rod to be cut.



► 1. Rod guide (Position 1) 2. Rod guide (Position 2)

There are two rod guide positions.

Position	Size of threaded rod
1	W3/8, 3/8-16UNC, M10
2	W5/16, W1/4, 5/16-18UNC, 1/4-20UNC, M8, M6

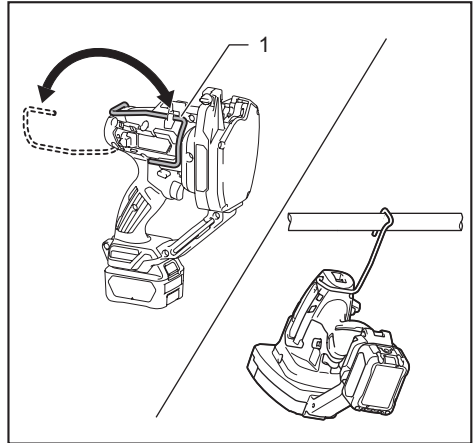
## Hook

**CAUTION:** Never hook the tool on a windy location or a potentially unstable surface.

**CAUTION:** Do not use the hook when it is deformed or damaged.

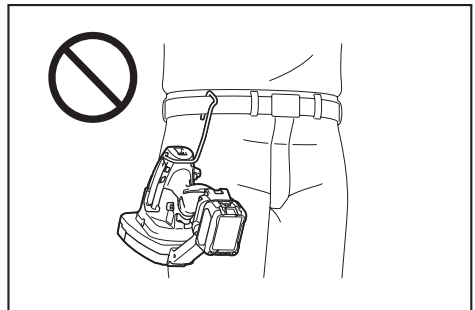
**CAUTION:** When not operating the tool, always fold the hook.

The hook is convenient for hanging the tool temporarily.



► 1. Hook

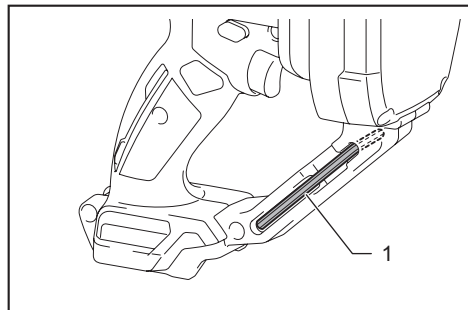
**CAUTION:** Do not hang the hook from the waist belt. It may result in personal injuries and/or damage to the tool if dropped.





## Hex wrench storage

When not in use, store the hex wrench as shown in the figure to keep it from being lost.

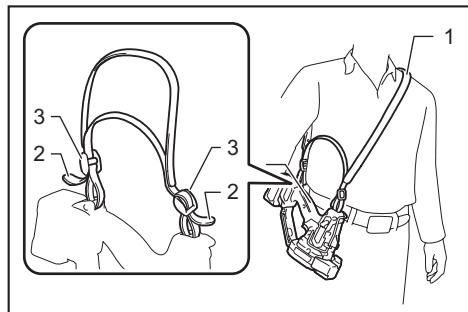


► 1. Hex wrench

## Shoulder strap

### Optional accessory

Shoulder strap is useful for carrying the tool.



► 1. Shoulder strap 2. Belt end 3. Buckle

**CAUTION:** Always wear the shoulder strap crossed over your body and adjusted in proper length.

**CAUTION:** Do not use the shoulder strap if it is damaged.

**CAUTION:** Leave an sufficient length between the buckle and belt end to prevent the belt end from slipping through the buckle.

## Electric brake

This tool is equipped with an electric brake. If the tool consistently fails to quickly stop after the switch trigger is released, have the tool serviced at a Makita service center.

## ASSEMBLY

**CAUTION:** Always be sure that the tool is switched off and the battery cartridge is removed before carrying out any work on the tool.

## Installing the cutting dies

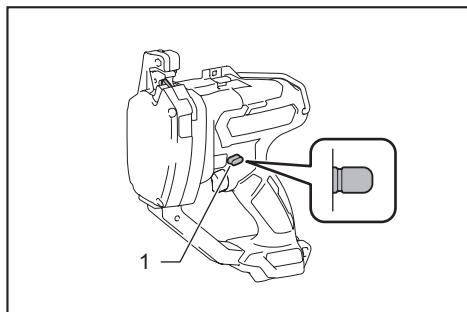
**CAUTION:** Always install the cutting dies in the correct directions and secured firmly. Incorrect or loose attachment may cause breakage of the cutting die, resulting personal injury by flown off fractions.

**NOTICE:** Remove the burr on the cutting dies using a file if any.

1. Check if the jaw of the cutting die is fully opened. If not, install the battery and pull the switch trigger until the jaw is fully opened.

**CAUTION:** Be sure to remove the battery cartridge if you installed.

2. Set the reversing switch lever to the lock position.

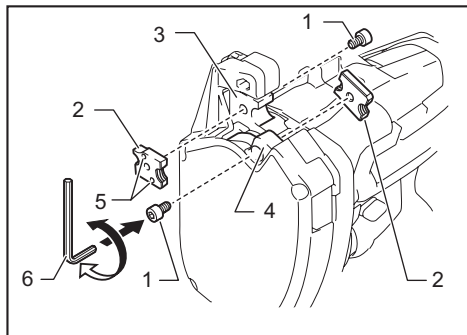


► 1. Reversing switch lever

3. Unscrew the bolts with the supplied hex wrench.

**CAUTION:** Use only the Makita wrench provided with the tool. Using other wrenches may result in overtightening or insufficient tightening which causes personal injury.

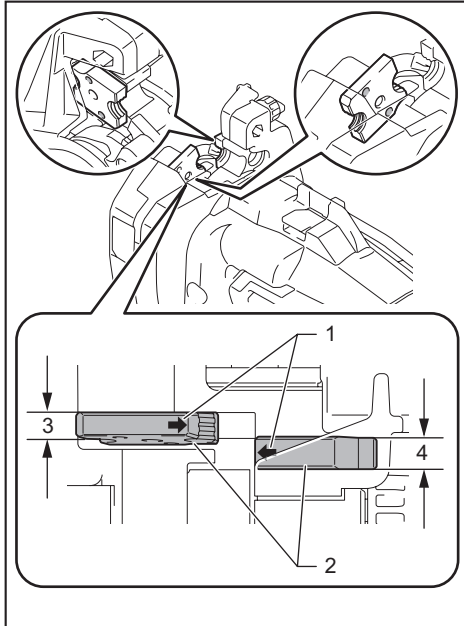
4. Set the cutting dies onto the mounts so that the two colored markings can be seen.



► 1. Bolt 2. Cutting die 3. Stationary mount 4. Movable mount 5. Colored marking 6. Hex wrench

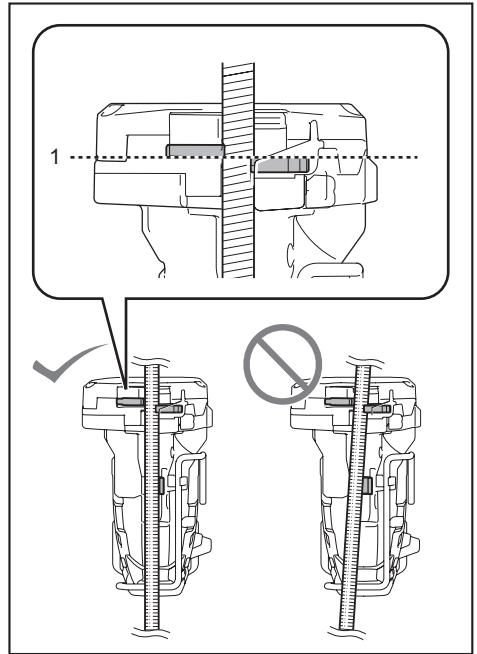
## 5. Secure the cutting dies with the bolts firmly.

The cutting dies are correctly installed if the arrows on them point each other. The dimensions of the cutting dies are the same but their thickness look different when seen from above.



► 1. Arrow 2. Cutting die 3. Thin side 4. Thick side

When cutting, place the threaded rod perpendicular to the cutting line as shown in the figure.



► 1. Cutting line

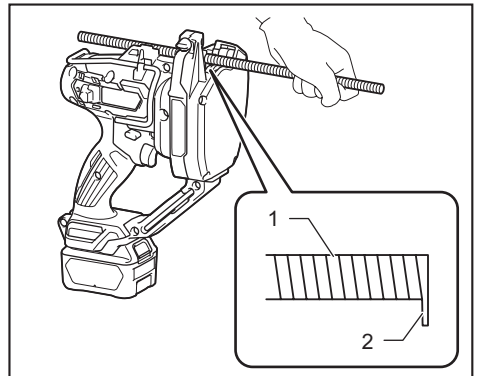
**NOTE:** When cutting a threaded rod made of ductile metal such as stainless steel, burrs may be generated on the cut end. Remove burrs with a file in this case.

## OPERATION

**CAUTION:** Make sure that the correct size of the cutting dies are installed to the tool. Check the cutting capacity written on the cutting dies before cutting.

**CAUTION:** Before pulling the switch trigger, be sure to set the threaded rod so that its thread fits with those of cutting dies. Incorrect alignment of the threads may break the cutting die and cause personal injury by flown off fractions.

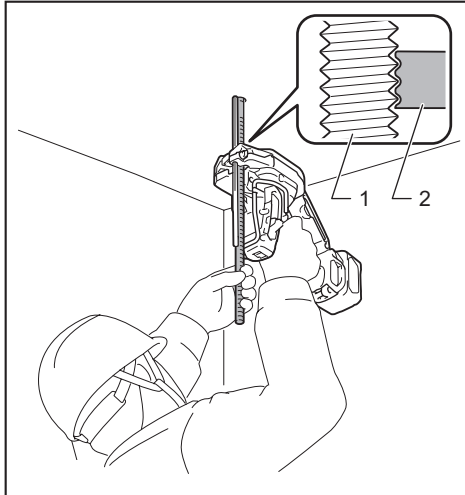
**CAUTION:** Replace the cutting dies if the cutting edge is chipped or deformed.



► 1. Threaded rod 2. Burr

## Cutting secured threaded rods

When cutting a threaded rod which is secured to the building structure such as the ceiling, wall, floor, etc., follow the procedure below :



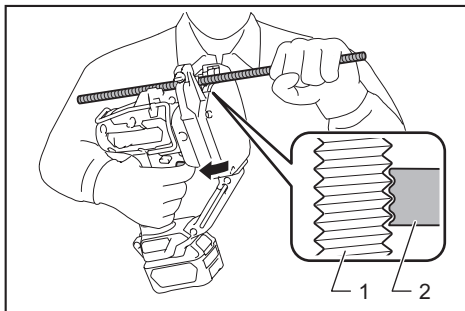
► 1. Threaded rod 2. Cutting die on the stationary mount

1. Bring the tool so that the threaded rod is positioned between the cutting dies.
2. While the threaded rod contacting with the rod guide, fit the thread of the rod with that of the cutting die on the stationary mount.
3. Pull and hold the switch trigger until the cutting is finished and the jaw of the cutting die comes to fully opened position.

**NOTICE:** Clean the front face of the tool and the tip of the guide scale before operation. They may dirty the contacting surface.

## Cutting loose threaded rods

When cutting a loose threaded rod on the floor or a work table, follow the procedure below :

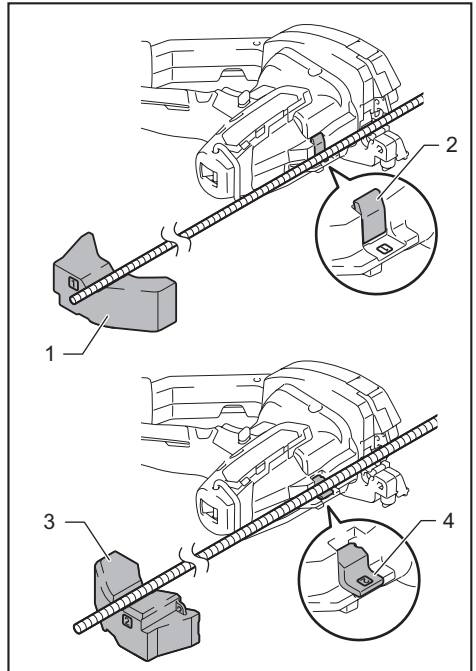


► 1. Threaded rod 2. Cutting die on the stationary mount

1. Position a threaded rod between the cutting dies.
2. While the threaded rod contacting with the rod guide, fit the thread of the rod with that of the cutting die on the stationary mount.

3. Pull and hold the switch trigger until the cutting is finished and the jaw of the cutting die comes to fully opened position.

When cutting a long threaded rod which is hard to hold by hand, place the tool as illustrated. The tool can be placed flat. The cover also can be used for supporting the end of the threaded rod.



► 1. Cover (Position 1) 2. Rod guide (Position 1)  
3. Cover (Position 2) 4. Rod guide (Position 2)

The cover has markings to indicate its position. Depending on the size of the threaded rod, put the cover in the position as shown in the table as well as the rod guide.

Position	Size of threaded rod
1	W3/8, 3/8-16UNC, M10
2	W5/16, W1/4, 5/16-18UNC, 1/4-20UNC, M8, M6

## Quitting the cutting in the middle

**CAUTION:** Never try to pull out the tool forcibly from the threaded rod. It may cause unexpected start up which cause personal injury or damage to the cutting die and tool.

When quitting the cutting in the middle, set the reversing switch lever to the reversing position and pull the switch trigger until the threaded rod is completely released from the cutting dies.

## MAINTENANCE

**CAUTION:** Always be sure that the tool is switched off and the battery cartridge is removed before attempting to perform inspection or maintenance.

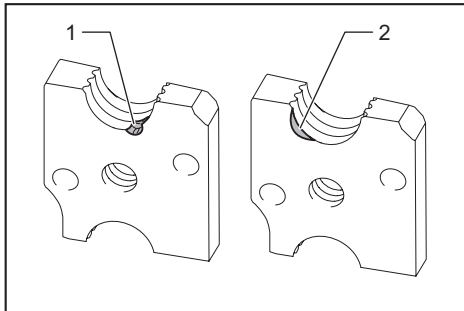
**NOTICE:** Never use gasoline, benzine, thinner, alcohol or the like. Discoloration, deformation or cracks may result.

To maintain product SAFETY and RELIABILITY, repairs, any other maintenance or adjustment should be performed by Makita Authorized or Factory Service Centers, always using Makita replacement parts.

### Replacing the cutting dies

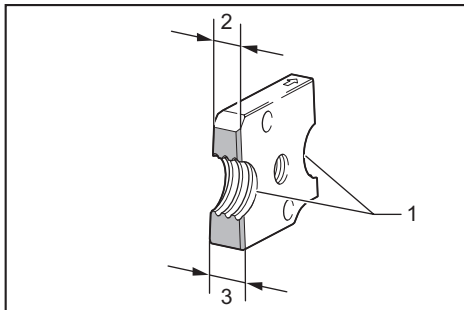
**NOTICE:** Replace the both cutting dies at the same time. Replacing the one side of the cutting die may generate burr on the threaded rod.

Replace the cutting dies when it is chipped, deformed, or the cutting gets dull. To replace, follow the instructions in the section for installing the cutting dies.



► 1. Chipping 2. Deformation

One cutting die has two cutting edges and thick side and thin side. Switch the installation positions of the cutting dies if you have not used the other sides of the cutting edges.

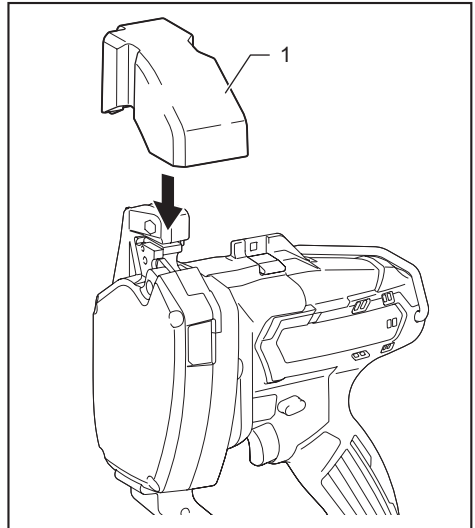


► 1. Cutting edge 2. Thin side 3. Thick side

## Carrying/storing the tool

**CAUTION:** When the tool is not used, always attach the supplied cover to the cutting portion.

Attach the cover when carrying the tool. When storing the tool, remove the battery cartridge and the guide scale from the tool. Clean dust on the cutting dies and the moving part. After that, attach the cover.



► 1. Cover

## OPTIONAL ACCESSORIES

**CAUTION:** These accessories or attachments are recommended for use with your Makita tool specified in this manual. The use of any other accessories or attachments might present a risk of injury to persons. Only use accessory or attachment for its stated purpose.

If you need any assistance for more details regarding these accessories, ask your local Makita Service Center.

- Cutting dies
- Shoulder strap
- Makita genuine battery and charger

**NOTE:** Some items in the list may be included in the tool package as standard accessories. They may differ from country to country.

## MAKITA LIMITED WARRANTY

Please refer to the annexed warranty sheet for the most current warranty terms applicable to this product. If annexed warranty sheet is not available, refer to the warranty details set forth at below website for your respective country.

United States of America: [www.makitatools.com](http://www.makitatools.com)

Canada: [www.makita.ca](http://www.makita.ca)

Other countries: [www.makita.com](http://www.makita.com)

## ESPECIFICACIONES

<b>Modelo:</b>		<b>CS01</b>
Capacidades de corte	Acero suave	W3/8, W5/16, W1/4, 3/8-16UNC, 5/16-18UNC, 1/4-20UNC, M10, M8, M6
	Acero inoxidable	W3/8, 5/16-18UNC, M8, M6
Longitud total	180 mm (7-1/8")	
Tensión nominal	10,8 V c.c. - 12 V c.c. máx.	
Peso neto	2,7 kg - 2,8 kg (6,0 lbs - 6,2 lbs)	

- Debido a nuestro continuo programa de investigación y desarrollo, las especificaciones aquí incluidas están sujetas a cambio sin previo aviso.
- Las especificaciones pueden variar de país a país.
- El peso puede variar en función de los accesorios, incluido el cartucho de batería. En la tabla se muestra la combinación de peso más ligero y más pesado conforme al procedimiento 01/2014 de EPTA.

### Cartucho de batería y cargador aplicables

Cartucho de batería	BL1016 / BL1021B / BL1041B
Cargador	DC10SB / DC10WD / DC18RE

- Algunos de los cartuchos de batería y cargadores enumerados arriba podrían no estar disponibles dependiendo de su área de residencia.

**⚠ ADVERTENCIA:** Use únicamente los cartuchos de batería y los cargadores indicados arriba. El uso de cualquier otro cartucho de batería y cargador podría ocasionar una lesión y/o un incendio.

### Uso pretendido

Esta herramienta está diseñada para cortar varillas roscadas.

## ADVERTENCIAS DE SEGURIDAD

### Advertencias generales de seguridad para herramientas eléctricas

**⚠ ADVERTENCIA:** Lea todas las advertencias de seguridad, instrucciones, ilustraciones y especificaciones suministradas con esta herramienta eléctrica. El no seguir todas las instrucciones indicadas a continuación podría ocasionar una descarga eléctrica, incendio y/o lesiones graves.

### Conserve todas las advertencias e instrucciones como referencia en el futuro.

En las advertencias, el término "herramienta eléctrica" se refiere a su herramienta eléctrica de funcionamiento con conexión a la red eléctrica (con cableado eléctrico) o herramienta eléctrica de funcionamiento a batería (inalámbrica).

### Seguridad en el área de trabajo

1. **Mantenga el área de trabajo limpia y bien iluminada.** Las áreas oscuras o desordenadas son propensas a accidentes.
2. **No utilice las herramientas eléctricas en atmósferas explosivas, tal como en la presencia de líquidos, gases o polvo inflamables.** Las herramientas eléctricas crean chispas que pueden prender fuego al polvo o los humos.
3. **Mantenga a los niños y curiosos alejados mientras utiliza una herramienta eléctrica.** Las distracciones le pueden hacer perder el control.

### Seguridad eléctrica

1. **Las clavijas de conexión de las herramientas eléctricas deberán encajar perfectamente en la toma de corriente. No modifique nunca la clavija de conexión de ninguna forma. No utilice ninguna clavija adaptadora con herramientas eléctricas que tengan conexión a tierra (puesta a tierra).** La utilización de clavijas no modificadas y que encajen perfectamente en la toma de corriente reducirá el riesgo de que se produzca una descarga eléctrica.
2. **Evite tocar con el cuerpo superficies conectadas a tierra o puestas a tierra tales como tubos, radiadores, cocinas y refrigeradores.** Si su cuerpo es puesto a tierra o conectado a tierra existirá un mayor riesgo de que sufra una descarga eléctrica.
3. **No exponga las herramientas eléctricas a la lluvia ni a condiciones húmedas.** La entrada de agua en una herramienta eléctrica aumentará el riesgo de que se produzca una descarga eléctrica.

4. **No maltrate el cable. Nunca utilice el cable para transportar, jalar o desconectar la herramienta eléctrica.** Mantenga el cable alejado del calor, aceite, objetos cortantes o piezas móviles. Los cables dañados o enredados aumentan el riesgo de sufrir una descarga eléctrica.
5. **Cuando utilice una herramienta eléctrica en exteriores, utilice un cable de extensión apropiado para uso en exteriores.** La utilización de un cable apropiado para uso en exteriores reducirá el riesgo de que se produzca una descarga eléctrica.
6. **Si no es posible evitar usar una herramienta eléctrica en condiciones húmedas, utilice un alimentador protegido con interruptor de circuito de falla a tierra (ICFT).** El uso de un ICFT reduce el riesgo de descarga eléctrica.
7. **Las herramientas eléctricas pueden producir campos electromagnéticos (CEM) que no son dañinos para el usuario.** Sin embargo, si los usuarios tienen marcapasos y otros dispositivos médicos similares, deberán consultar al fabricante de su dispositivo y/o a su médico antes de operar esta herramienta eléctrica.
7. **Si dispone de dispositivos para la conexión de equipos de extracción y recolección de polvo, asegúrese de conectarlos y utilizarlos debidamente.** Hacer uso de la recolección de polvo puede reducir los riesgos relacionados con el polvo.
8. **No permita que la familiaridad adquirida debido al uso frecuente de las herramientas haga que se sienta confiado e ignore los principios de seguridad de las herramientas.** Un descuido podría ocasionar una lesión grave en una fracción de segundo.
9. **Utilice siempre gafas protectoras para proteger sus ojos de lesiones al usar herramientas eléctricas.** Las gafas deben cumplir con la Norma ANSI Z87.1 en EUA. Es responsabilidad del empleador imponer el uso de equipos protectores de seguridad apropiados a los operadores de la herramienta y demás personas cerca del área de trabajo.

#### Mantenimiento y uso de la herramienta eléctrica

1. **No fuerce la herramienta eléctrica. Utilice la herramienta eléctrica correcta para su aplicación.** La herramienta eléctrica adecuada hará un mejor trabajo y de forma más segura a la velocidad para la que ha sido fabricada.
  2. **No utilice la herramienta eléctrica si el interruptor no la enciende y apaga.** Cualquier herramienta eléctrica que no pueda ser controlada con el interruptor es peligrosa y debe ser reemplazada.
  3. **Desconecte la clavija de la fuente de alimentación y/o retire la batería de la herramienta eléctrica, en caso de ser removible, antes de realizar ajustes, cambiar accesorios o almacenar las herramientas eléctricas.** Tales medidas de seguridad preventivas reducirán el riesgo de poner en marcha la herramienta eléctrica de forma accidental.
  4. **Guarde la herramienta eléctrica que no use fuera del alcance de los niños y no permita que las personas que no están familiarizadas con ella o con las instrucciones la operen.** Las herramientas eléctricas son peligrosas en manos de personas que no saben operarlas.
  5. **Dé mantenimiento a las herramientas eléctricas y los accesorios. Compruebe que no haya piezas móviles desalineadas o estancadas, piezas rotas y cualquier otra condición que pueda afectar al funcionamiento de la herramienta eléctrica.** Si la herramienta eléctrica está dañada, haga que la reparen antes de utilizarla. Muchos de los accidentes son ocasionados por no dar un mantenimiento adecuado a las herramientas eléctricas.
  6. **Mantenga las herramientas de corte limpias y filosas.** Si recibe un mantenimiento adecuado y tiene los bordes afilados, es probable que la herramienta se atasque menos y sea más fácil controlarla.
  7. **Utilice la herramienta eléctrica, los accesorios y las brocas de acuerdo con estas instrucciones, considerando las condiciones laborales y el trabajo a realizar.** Si utiliza la herramienta eléctrica para realizar operaciones distintas de las indicadas, podrá presentarse una situación peligrosa.
- #### Seguridad personal
1. **Manténgase alerta, preste atención a lo que está haciendo y utilice su sentido común cuando opere una herramienta eléctrica. No utilice una herramienta eléctrica cuando esté cansado o bajo la influencia de drogas, alcohol o medicamentos.** Un momento de distracción mientras opera las herramientas eléctricas puede terminar en una lesión grave.
  2. **Use equipo de protección personal. Póngase siempre protección para los ojos.** El equipo protector tal como máscara contra el polvo, zapatos de seguridad antiderrapantes, casco rígido y protección para oídos utilizado en las condiciones apropiadas reducirá el riesgo de lesiones.
  3. **Impida el encendido accidental. Asegúrese de que el interruptor esté en la posición de apagado antes de conectar a la alimentación eléctrica y/o de colocar el cartucho de batería, así como al levantar o cargar la herramienta.** Cargar las herramientas eléctricas con su dedo en el interruptor o enchufarlas con el interruptor encendido hace que los accidentes sean comunes.
  4. **Retire cualquier llave de ajuste o llave de apriete antes de encender la herramienta.** Una llave de ajuste o llave de apriete que haya sido dejada puesta en una parte giratoria de la herramienta eléctrica puede ocasionar alguna lesión.
  5. **No utilice la herramienta donde no alcance. Mantenga los pies sobre suelo firme y el equilibrio en todo momento.** Esto permite un mejor control de la herramienta eléctrica en situaciones inesperadas.
  6. **Use una vestimenta apropiada. No use ropa suelta ni alhajas. Mantenga el cabello, la ropa y los guantes alejados de las piezas móviles.** Las prendas de vestir holgadas, las alhajas y el cabello largo suelto podrían engancharse en estas piezas móviles.

- Mantenga los mangos y superficies de asiento secos, limpios y libres de aceite o grasa. Los mangos y superficies de asiento resbalosos no permiten una manipulación segura ni el control de la herramienta en situaciones inesperadas.
- Cuando vaya a utilizar esta herramienta, evite usar guantes de trabajo de tela ya que éstos podrían atorarse. Si los guantes de trabajo de tela llegan a atorarse en las piezas móviles, esto podría ocasionar lesiones personales.

#### Uso y cuidado de la herramienta a batería

- Recargue sólo con el cargador especificado por el fabricante. Un cargador que es adecuado para un solo tipo de batería puede generar riesgo de incendio al ser utilizado con otra batería.
- Utilice las herramientas eléctricas solamente con las baterías designadas específicamente para ellas. La utilización de cualquier otra batería puede crear un riesgo de lesiones o incendio.
- Cuando no se esté usando la batería, manténgala alejada de otros objetos metálicos, como sujetapapeles (clips), monedas, llaves, clavos, tornillos u otros objetos pequeños de metal los cuales pueden actuar creando una conexión entre las terminales de la batería. Originar un cortocircuito en las terminales puede causar quemaduras o incendios.
- En condiciones abusivas, podrá escapar líquido de la batería; evite tocarlo. Si lo toca accidentalmente, enjuague con agua. Si hay contacto del líquido con los ojos, busque asistencia médica. Puede que el líquido expulsado de la batería cause irritación o quemaduras.
- No utilice una herramienta ni una batería que estén dañadas o hayan sido modificadas. Las baterías dañadas o modificadas podrían ocasionar una situación inesperada provocando un incendio, explosión o riesgo de lesiones.
- No exponga la herramienta ni la batería al fuego ni a una temperatura excesiva. La exposición al fuego o a una temperatura superior a los 130 °C podría causar una explosión.
- Siga todas las instrucciones para la carga y evite cargar la herramienta o la batería fuera del rango de temperatura especificado en las instrucciones. Una carga inadecuada o a una temperatura fuera del rango especificado podría dañar la batería e incrementar el riesgo de incendio.

#### Servicio

- Haga que una persona calificada repare la herramienta eléctrica utilizando sólo piezas de repuesto idénticas. Esto asegura que se mantenga la seguridad de la herramienta eléctrica.
- Nunca dé servicio a baterías que estén dañadas. El servicio a las baterías solamente deberá ser efectuado por el fabricante o un agente de servicio autorizado.
- Siga las instrucciones para la lubricación y cambio de accesorios.
- No modifique ni intente reparar el aparato ni el paquete de baterías salvo como se indique en las instrucciones para el uso y cuidado.

## Advertencias de seguridad para la cortadora inalámbrica de varilla

- Sostenga la herramienta firmemente.
- Asegure la pieza de trabajo firmemente.
- Mantenga su cara y las manos alejadas de las piezas móviles. Durante el corte, la fracción de la varilla roscada puede salir volando.
- Use siempre guantes al manipular varillas roscadas. Los bordes y las virutas de la pieza de trabajo son filosos.
- No coloque la herramienta sobre las virutas de la pieza de trabajo. De lo contrario, podría causar daños y problemas en la herramienta.
- Asegúrese siempre de pisar sobre suelo firme. Asegúrese de que no haya nadie debajo cuando utilice la herramienta en lugares elevados.
- No toque el borde cortante o la pieza de trabajo inmediatamente después de la operación; podría estar extremadamente caliente y provocarle quemaduras en la piel.
- Evite cortar cables eléctricos. Esto podría causar un accidente grave por descarga eléctrica.
- Siempre sostenga la varilla roscada durante y después del corte para evitar que la varilla roscada cortada se caiga. Una varilla roscada cortada podría causar lesiones personales graves si se llega a caer desde un lugar elevado.
- Mantenga una distancia segura entre su cuerpo y las piezas móviles. No opere la herramienta si el área de trabajo es demasiado estrecha para mantener una distancia segura.
- Nunca deje la herramienta en un lugar elevado o en una superficie potencialmente inestable.

## GUARDE ESTAS INSTRUCCIONES.

**⚠ADVERTENCIA:** NO DEJE que la comodidad o familiaridad con el producto (a base de utilizarlo repetidamente) evite que siga estrictamente las normas de seguridad para dicho producto.

El USO INCORRECTO o el no seguir las normas de seguridad indicadas en este manual de instrucciones puede ocasionar lesiones graves.

## Símbolos

A continuación se muestran los símbolos utilizados para la herramienta.

	voltos o voltios
	corriente directa o continua



## Instrucciones importantes de seguridad para el cartucho de batería

1. Antes de utilizar el cartucho de batería, lea todas las instrucciones e indicaciones de precaución en el (1) el cargador de batería, (2) la batería, y (3) el producto con el que se utiliza la batería.
2. No desarme el cartucho de batería.
3. Si el tiempo de operación se ha acortado en exceso, deje de operar de inmediato. Podría correrse el riesgo de sobrecalentamiento, posibles quemaduras e incluso explosión.
4. En caso de que ingresen electrolitos en sus ojos, enjuáguelos bien con agua limpia y consulte de inmediato a un médico. Esto podría ocasionar pérdida de visión.
5. Evite cortocircuitar el cartucho de batería:
  - (1) No toque las terminales con ningún material conductor.
  - (2) Evite guardar el cartucho de batería en un cajón junto con otros objetos metálicos, tales como clavos, monedas, etc.
  - (3) No exponga el cartucho de batería al agua o la lluvia.

Un cortocircuito en la batería puede causar un flujo grande de corriente, sobrecalentamiento, posibles quemaduras e incluso una descompostura.

6. No guarde la herramienta ni el cartucho de batería en lugares donde la temperatura pueda alcanzar o exceder los 50°C (122°F).
7. Nunca incinere el cartucho de batería incluso en el caso de que esté dañado seriamente o ya no sirva en absoluto. El cartucho de batería puede explotar si se tira al fuego.
8. Tenga cuidado de no dejar caer ni golpear la batería.
9. No use una batería dañada.
10. Las baterías de ión de litio están sujetas a los requisitos reglamentarios en materia de bienes peligrosos.

Para el transporte comercial, por ej., mediante terceros o agentes de transporte, se deben tomar en cuenta los requisitos especiales relativos al empaque y el etiquetado.

Para efectuar los preparativos del artículo que se va a enviar, se requiere consultar a un experto en materiales peligrosos. Si es posible, consulte además otras regulaciones nacionales más detalladas.

Pegue o cubra con cinta adhesiva los contactos abiertos y empaque la batería de manera que ésta no pueda moverse dentro del paquete.
11. Para deshacerse del cartucho de batería, sáquelo de la herramienta y deséchelo en un lugar seguro. Siga las regulaciones locales relacionadas al desecho de las baterías.

12. Utilice las baterías únicamente con los productos especificados por Makita. Instalar las baterías en productos que no cumplan con los requisitos podría ocasionar un incendio, un calentamiento excesivo, una explosión o una fuga de electrolito.
13. Si no se utiliza la herramienta por un periodo largo, debe extraerse la batería de la herramienta.

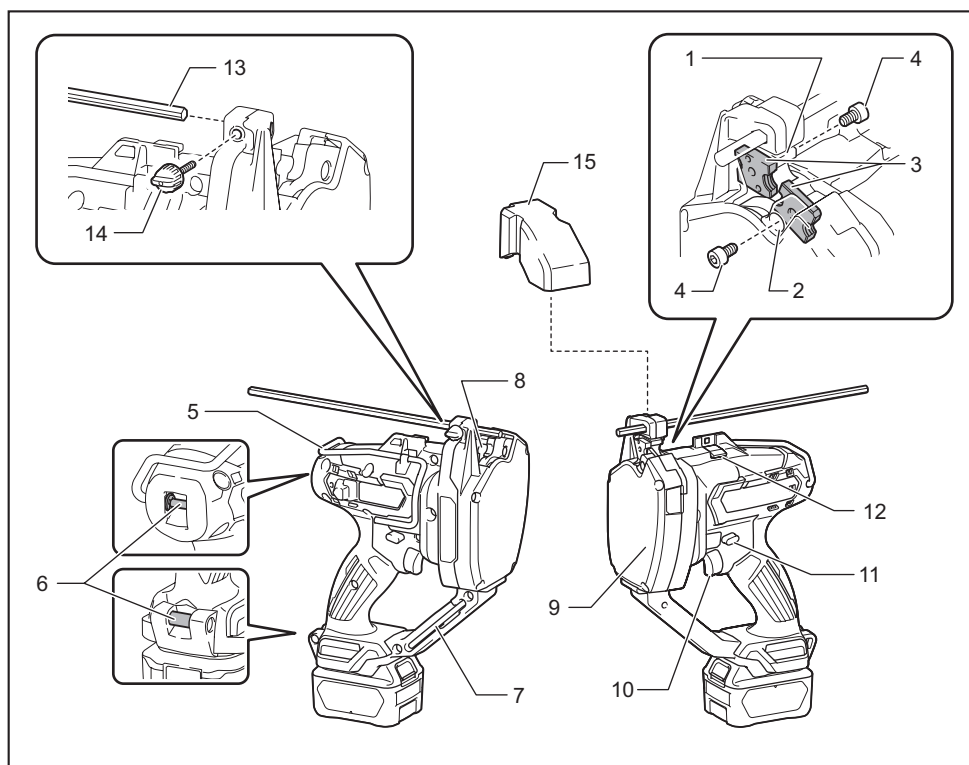
## GUARDE ESTAS INSTRUCCIONES.

**⚠PRECAUCIÓN:** Utilice únicamente baterías originales de Makita. El uso de baterías no originales de Makita, o de baterías alteradas, puede ocasionar que las baterías exploten causando un incendio, lesiones personales y daños. Asimismo, esto invalidará la garantía de Makita para la herramienta y el cargador Makita.

## Consejos para alargar al máximo la vida útil de la batería

1. Cargue el cartucho de batería antes de que se descargue completamente. Pare siempre la operación y cargue el cartucho de batería cuando note menos potencia en la herramienta.
2. No cargue nunca un cartucho de batería que esté completamente cargado. La sobrecarga acortará la vida de servicio de la batería.
3. Cargue el cartucho de batería a una temperatura ambiente de 10 °C - 40 °C (50 °F - 104 °F). Si un cartucho de batería está caliente, déjelo enfriar antes de cargarlo.

# DESCRIPCIÓN DE LAS PIEZAS



1	Soporte fijo	2	Soporte móvil	3	Troquel de corte	4	Perno
5	Gancho	6	Base de la correa para el hombro (para accesorio opcional)	7	Llave allen (hexagonal)	8	Lámpara (en el interior)
9	Cara frontal	10	Gatillo interruptor	11	Palanca del interruptor de inversión	12	Guía de la varilla
13	Guía a medida	14	Tornillo de fijación	15	Cubierta	-	-

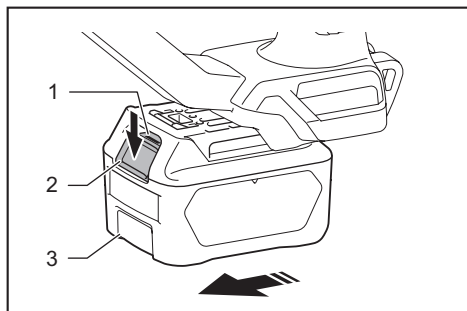
## DESCRIPCIÓN DEL FUNCIONAMIENTO

**⚠️ PRECAUCIÓN:** Asegúrese siempre de que la herramienta esté apagada y el cartucho de batería haya sido extraído antes de realizar cualquier ajuste o comprobación en la herramienta.

### Instalación o extracción del cartucho de batería

**⚠️ PRECAUCIÓN:** Apague siempre la herramienta antes de colocar o quitar el cartucho de batería.

**⚠️ PRECAUCIÓN:** Sujete la herramienta y el cartucho de la batería con firmeza al colocar o quitar el cartucho de batería. Si no se sujeta con firmeza la herramienta y el cartucho de batería, puede ocasionar que se resbalen de sus manos causando daños a la herramienta y al cartucho de batería, así como lesiones a la persona.



► 1. Indicador rojo 2. Botón 3. Cartucho de batería

Para quitar el cartucho de batería, deslícelo de la herramienta mientras desliza el botón sobre la parte delantera del cartucho.

Para colocar el cartucho de batería, alinee la lengüeta sobre el cartucho de batería con la ranura en la carcasa y deslice en su lugar. Inserte por completo hasta que se fije en su lugar con un pequeño clic. Si puede ver el indicador rojo del lado superior del botón, esto indica que no ha quedado fijo por completo.

**⚠️ PRECAUCIÓN:** Introduzca siempre completamente el cartucho de batería hasta que el indicador rojo no pueda verse. Si no, podría accidentalmente salirse de la herramienta y caer al suelo causando una lesión a usted o alguien a su alrededor.

**⚠️ PRECAUCIÓN:** No instale el cartucho de batería a la fuerza. Si el cartucho no se desliza al interior fácilmente, se debe a que no está siendo insertado correctamente.

## Sistema de protección para la herramienta/batería

La herramienta está equipada con un sistema de protección para la herramienta/batería. Este sistema corta en forma automática el suministro de energía al motor para prolongar la vida útil de la herramienta y la batería. La herramienta se detendrá automáticamente durante la operación si la herramienta o la batería se someten a una de las siguientes condiciones. En algunas condiciones, los indicadores pueden encenderse.

### Protección contra sobrecarga

Cuando la herramienta se está utilizando de manera que causa que consuma una cantidad de corriente inusualmente alta, la herramienta se detiene automáticamente sin que haya indicación alguna. En este caso, apague la herramienta y detenga la aplicación que causó que la herramienta se sobrecargara. Luego encienda la herramienta para reiniciarla.

**NOTA:** Se activa la protección contra sobrecargas cuando se intenta cortar los tipos de varillas roscadas a continuación.

- Una varilla roscada que sea más larga que el tamaño del troquel de corte.
- Una varilla roscada que sea más dura que la capacidad de corte de los troqueles de corte.

### Protección contra sobrecalentamiento

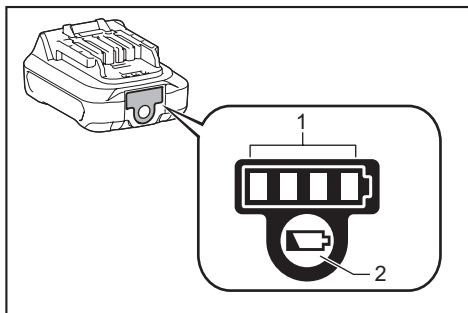
Cuando la herramienta se sobrecaliente, ésta se detendrá automáticamente y la luz de la lámpara LED comenzará a parpadear. Espere a que la herramienta se enfríe antes de volver a encenderla.

### Protección contra sobredescarga

Cuando la capacidad de la batería se reduce, la herramienta se detiene automáticamente. Si el producto no funciona incluso cuando los interruptores están siendo operados, retire las baterías de la herramienta y cárguelas.

## Indicación de la capacidad restante de la batería

*Únicamente para cartuchos de batería con el indicador*



► 1. Luces indicadoras 2. Botón de verificación

Oprima el botón de verificación en el cartucho de la batería para que indique la capacidad restante de la batería. Las luces indicadoras se iluminarán por algunos segundos.

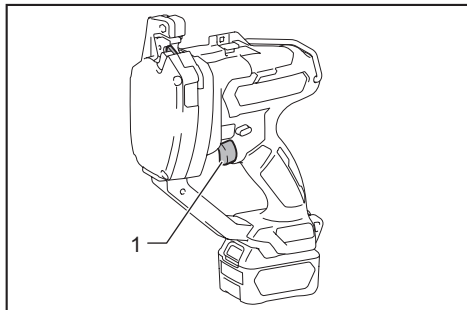
Luces indicadoras		Capacidad restante
Iluminadas	Apagado	
■ ■ ■ ■	□	75% a 100%
■ ■ ■ □	□	50% a 75%
■ ■ □ □	□	25% a 50%
■ □ □ □	□	0% a 25%

**NOTA:** Dependiendo de las condiciones de uso y la temperatura ambiente, la indicación podrá diferir ligeramente de la capacidad real.

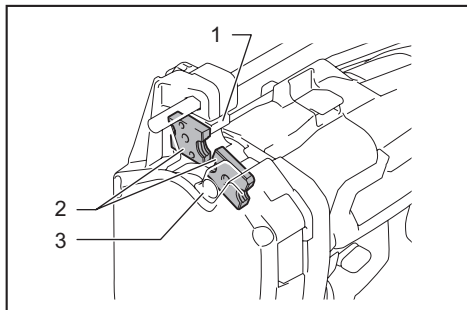
## Accionamiento del interruptor

**PRECAUCIÓN:** Antes de insertar el cartucho de batería en la herramienta, compruebe siempre y cerciórese de que el gatillo interruptor se acciona debidamente y que vuelve a la posición "OFF" (apagado) cuando lo suelta.

Para iniciar la operación de corte, continúe jalando el gatillo interruptor. El troquel de corte en el soporte móvil se traslapará con el troquel en el soporte fijo y posteriormente se regresará. Si suelta el gatillo interruptor antes de completar el corte, los troqueles de corte se detendrán.



► 1. Gatillo interruptor



► 1. Soporte fijo 2. Troquel de corte 3. Soporte móvil

**AVISO:** No opere la herramienta sin carga innecesariamente.

## Función de paro automático

Cuando continúe jalando del gatillo interruptor, la mordaza de los troqueles se cierra una vez y regresa a su posición completamente abierta, luego se detiene. Suelte el gatillo y jálalo nuevamente para iniciar la siguiente secuencia de corte.

## Palanca del interruptor de inversión

**ADVERTENCIA:** Cuando no esté utilizando la herramienta, ponga siempre la palanca del interruptor de inversión en la posición de bloqueo.

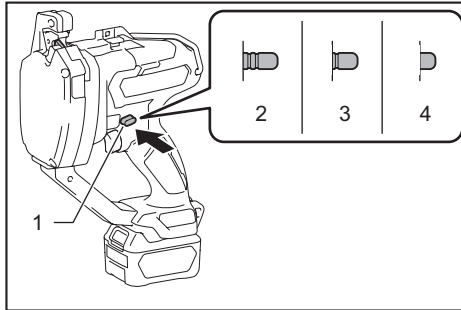
**PRECAUCIÓN:** Asegúrese siempre de la posición de la palanca del interruptor de inversión antes de la operación.

**AVISO:** No mueva la palanca del interruptor de inversión cuando se esté jalando del gatillo interruptor. Esto podría ocasionar daños a la herramienta.

Para iniciar la operación de corte, ponga la palanca del interruptor de inversión en la posición de corte.

Para invertir la secuencia de corte, ponga la palanca del interruptor de inversión en la posición inversa. Cuando continúe jalando del gatillo interruptor, la mordaza del troquel de corte se abre y se detiene en una posición completamente abierta.

Para bloquear el gatillo interruptor, ponga la palanca del interruptor de inversión en la posición de bloqueo. El gatillo interruptor no podrá ser jalado en esta posición.



► 1. Palanca del interruptor de inversión 2. Posición de corte 3. Posición de bloqueo 4. Posición inversa

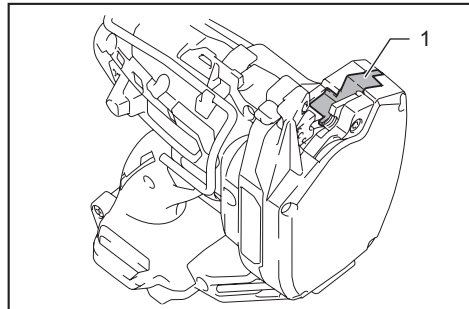
**AVISO:** Cuando la palanca del interruptor de inversión esté en la posición inversa, opere la herramienta solamente cuando lo necesite. Para evitar daños a la herramienta, esta se detendrá automáticamente cuando se operen en la posición inversa de forma continua.

**NOTA:** Después de cortar, si suelta el gatillo interruptor mientras se abre la mordaza del troquel de corte y luego coloca la palanca del interruptor de inversión en la posición inversa, la mordaza se cerrará una vez y luego se abrirá cuando vuelva a apretar el gatillo interruptor.

## Luz LED

**PRECAUCIÓN:** No mire a la luz ni vea a la fuente de luz directamente.

Jale el gatillo interruptor para encender la lámpara. La lámpara continúa iluminándose mientras se está jalando el gatillo interruptor. La lámpara se apaga aproximadamente 15 segundos tras haber liberado el gatillo interruptor.



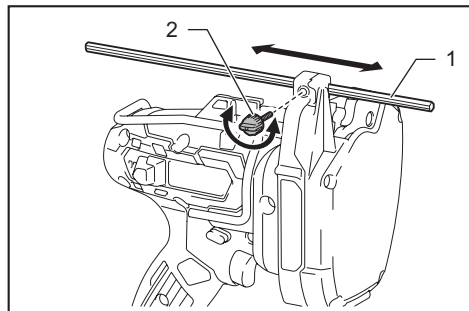
► 1. Lámpara (en el interior)

**NOTA:** Utilice un paño seco para quitar la suciedad de la lente de la lámpara. Tenga cuidado de no rayar la lente de la lámpara ya que la iluminación podría disminuir.

**NOTA:** Cuando la herramienta se sobrecaliente, la lámpara parpadeará. Espere a que la herramienta se enfríe en este caso.

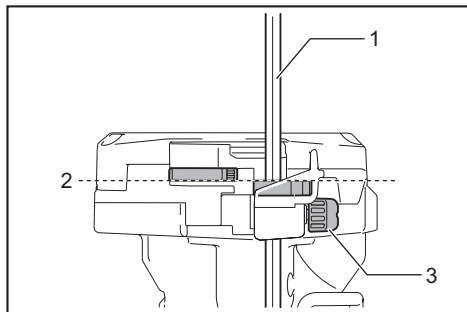
## Guía a medida

Utilice la guía a medida si desea cortar varillas rosca- das de la misma longitud. Inserte la guía a medida en el orificio tal como se muestra en la ilustración.



► 1. Guía a medida 2. Tornillo de fijación

Alinee el valor de la longitud que desee en la guía a medida con la línea de corte. Luego apriete el tornillo de fijación.

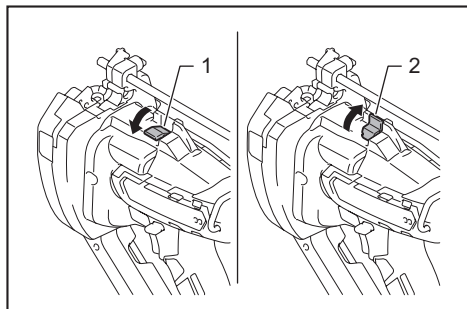


► 1. Guía a medida 2. Línea de corte 3. Tornillo de fijación

**PRECAUCIÓN:** No sostenga la guía a medida como forma de cargar o manipular la herramienta. La herramienta podría resbalarse y ocasionar una lesión personal y/o daños a la herramienta.

## Guía de la varilla

Para un corte preciso, fije la guía de la varilla en una posición que dependa del diámetro de la varilla rosca- da que se vaya a cortar.



► 1. Guía de la varilla (posición 1) 2. Guía de la varilla (posición 2)

Existen dos posiciones de la guía de la varilla.

Posición	Tamaño de la varilla rosca- da
1	W3/8, 3/8-16UNC, M10
2	W5/16, W1/4, 5/16-18UNC, 1/4-20UNC, M8, M6

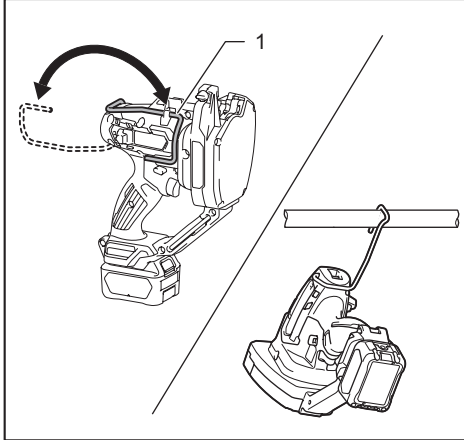
## Gancho

**⚠️ PRECAUCIÓN:** Nunca enganche la herramienta en un lugar con ráfagas de viento o sobre una superficie potencialmente inestable.

**⚠️ PRECAUCIÓN:** No utilice el gancho si el mismo está deformado o dañado.

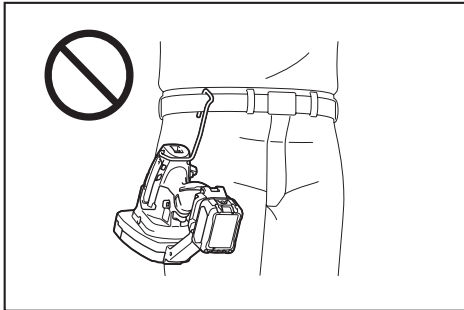
**⚠️ PRECAUCIÓN:** Cuando no esté utilizando la herramienta, siempre pliegue el gancho.

El gancho resulta útil para colgar la herramienta temporalmente.



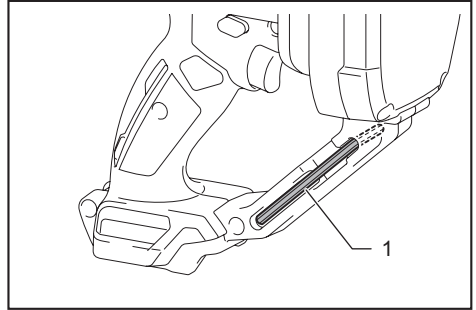
► 1. Gancho

**⚠️ PRECAUCIÓN:** No cuelgue el gancho del cinturón. Esto podría ocasionar lesiones personales y/o daños a la herramienta si se cayera.



## Almacenamiento de la llave Allen (hexagonal)

Cuando no la utilice, guarde la llave hexagonal como se muestra en la figura para evitar que se pierda.

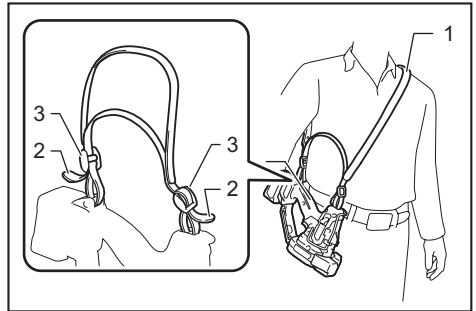


► 1. Llave Allen (hexagonal)

## Correa para el hombro

### Accesorio opcional

La correa para el hombro resulta útil para cargar la herramienta.



► 1. Correa para el hombro 2. Extremo de la correa 3. Hebilla

**⚠️ PRECAUCIÓN:** Siempre coloque la correa para el hombro de forma transversal sobre su cuerpo y ajustada a la longitud adecuada.

**⚠️ PRECAUCIÓN:** No utilice la correa para el hombro si la misma está dañada.

**⚠️ PRECAUCIÓN:** Deje una longitud suficiente entre la hebilla y el extremo de la correa, para evitar que este último se deslice por la hebilla.

## Freno eléctrico

La herramienta está equipada con un freno eléctrico. Si la herramienta falla constantemente en detenerse tras soltar el gatillo interruptor, lleve la herramienta a mantenimiento a un centro de servicio Makita.

# MONTAJE

**⚠PRECAUCIÓN:** Asegúrese siempre de que la herramienta esté apagada y el cartucho de batería haya sido extraído antes de realizar cualquier trabajo en la misma.

## Instalación de los troqueles de corte

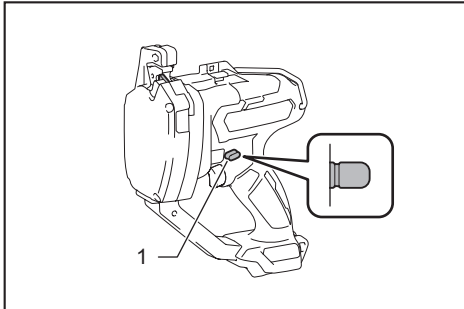
**⚠PRECAUCIÓN:** Siempre instale los troqueles de corte en las direcciones correctas y asegúrelos firmemente. Una sujeción indebida o suelta puede ocasionar la rotura del troquel de corte, generando lesiones personales por los fragmentos que salgan disparados.

**AVISO:** Retire las rebabas de los troqueles de corte con una lima, de existir tales.

1. Cerciórese si la mordaza del troquel de corte está completamente abierta. En caso contrario, instale la batería la herramienta y jale el gatillo interruptor hasta abrir la mordaza completamente.

**⚠PRECAUCIÓN:** Asegúrese de extraer el cartucho de batería si lo instaló.

2. Mueva la palanca del interruptor de inversión a la posición de bloqueo.

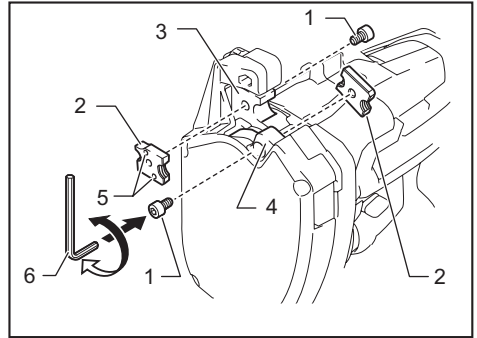


► 1. Palanca del interruptor de inversión

3. Desatornille los pernos con la llave allen (hexagonal) suministrada.

**⚠PRECAUCIÓN:** Utilice únicamente la llave provista por Makita con la herramienta. Usar otras llaves podría ocasionar un apriete en exceso o insuficiente, dando como resultado lesiones personales.

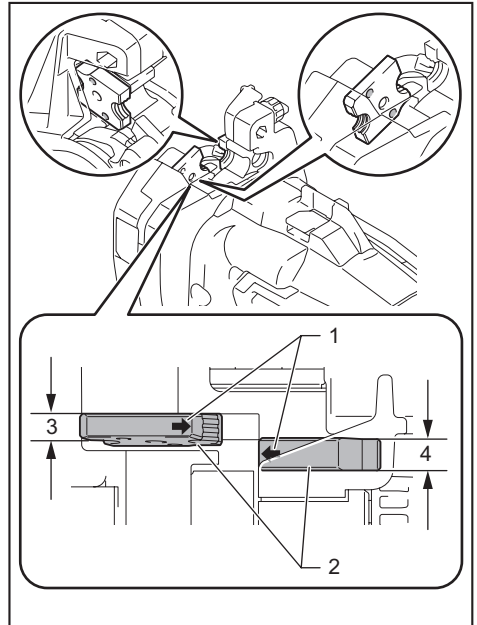
4. Ponga los troqueles de corte sobre los soportes, para que las dos marcas a color se puedan ver.



► 1. Perno 2. Troquel de corte 3. Soporte fijo  
4. Soporte móvil 5. Marca a color 6. Llave allen (hexagonal)

5. Asegure los troqueles de corte con los pernos firmemente.

Los troqueles de corte estarán debidamente instalados si las flechas en ellos apuntan una hacia la otra. Las dimensiones de los troqueles de corte son las mismas, pero su grosor se ve diferente cuando se visualiza desde arriba.



► 1. Flecha 2. Troquel de corte 3. Lado delgado  
4. Lado grueso



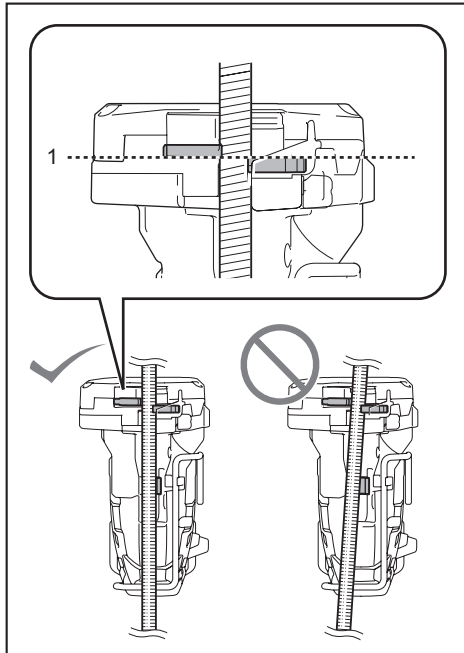
# OPERACIÓN

**⚠️PRECAUCIÓN:** Asegúrese de que los troqueles de corte del tamaño adecuado estén instalados en la herramienta. Verifique la capacidad de corte indicada en los troqueles de corte antes de iniciar el corte.

**⚠️PRECAUCIÓN:** Antes de jalar del gatillo interruptor, asegúrese de ajustar la varilla roscada para que la rosca concuerde con las de los troqueles de corte. Una alineación incorrecta de las roscas puede ocasionar la rotura del troquel de corte y con ello lesiones personales por los fragmentos que salgan disparados.

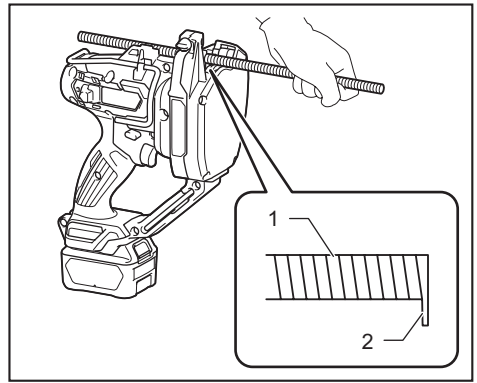
**⚠️PRECAUCIÓN:** Reemplace los troqueles de corte si el borde de corte se despostilla o se deforma.

Mientras corta, coloque la varilla roscada de manera perpendicular a la línea de corte, tal y como se indica en la figura.



► 1. Línea de corte

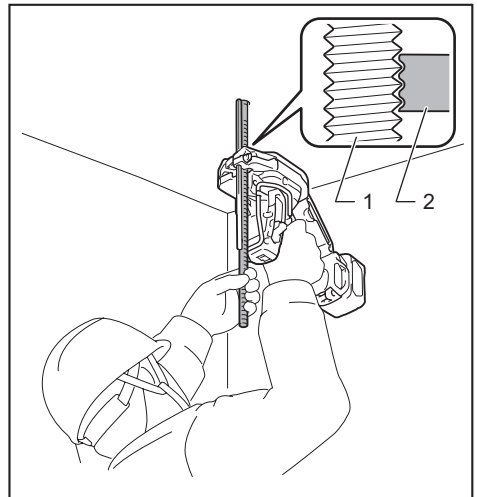
**NOTA:** Cuando se corta una varilla roscada de metal dúctil como el acero inoxidable, se pueden producir rebabas en el extremo de corte. Remueva las rebabas con una lima en este caso.



► 1. Varilla roscada 2. Rebabas

## Corte de varillas roscadas sujetadas

Cuando se corte una varilla roscada, la cual esté afianzada a la estructura de construcción como el techo, un muro, piso, etc., siga el procedimiento a continuación:



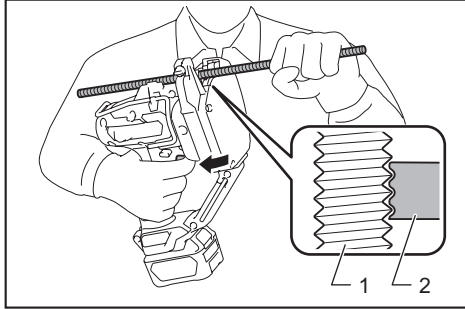
► 1. Varilla roscada 2. Troquel de corte en el soporte fijo

1. Acerque la herramienta para que la varilla roscada se coloque entre los troqueles de corte.
2. Mientras la varilla roscada hace contacto con la guía de la varilla, ajuste la rosca de la varilla con la del troquel de corte en el soporte fijo.
3. Jale y mantenga así el gatillo interruptor hasta que concluya el corte, y la mordaza del troquel de corte alcance una posición completamente abierta.

**AVISO:** Limpie la cara frontal de la herramienta y la punta de la guía a medida antes de su funcionamiento. Esto puede ensuciar la superficie de contacto.

## Corte de varillas roscadas sueltas

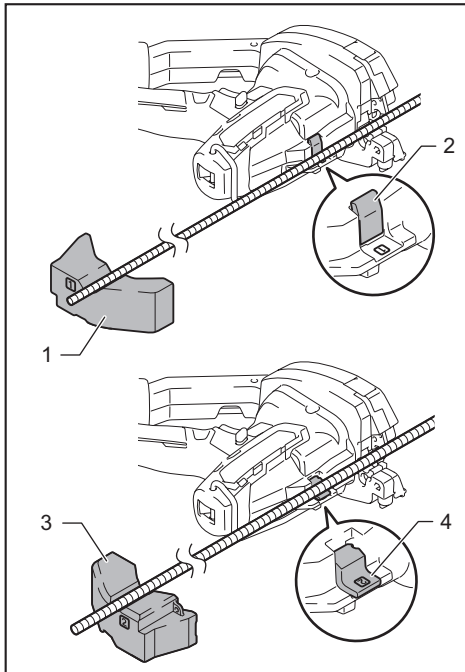
Cuando corte una varilla roscada suelta en el piso o en una mesa de trabajo, siga el procedimiento a continuación:



► 1. Varilla roscada 2. Troquel de corte en el soporte fijo

1. Coloque una varilla roscada entre los troqueles de corte.
2. Mientras la varilla roscada hace contacto con la guía de la varilla, ajuste la rosca de la varilla con la del troquel de corte en el soporte fijo.
3. Jale y mantenga así el gatillo interruptor hasta que concluya el corte, y la mordaza del troquel de corte alcance una posición completamente abierta.

Cuando corte una varilla roscada larga que no pueda sujetarse fácilmente a mano, coloque la herramienta como se ilustra. La herramienta puede colocarse de forma plana. La cubierta también puede usarse para dar sostén al extremo de la varilla roscada.



► 1. Cubierta (posición 1) 2. Guía de la varilla (posición 1)  
3. Cubierta (posición 2) 4. Guía de la varilla (posición 2)

La cubierta tiene marcas para indicar su posición. Dependiendo del tamaño de la varilla roscada, coloque la cubierta, y la guía de la varilla también, en la posición que se muestra en la tabla.

Posición	Tamaño de la varilla roscada
1	W3/8, 3/8-16UNC, M10
2	W5/16, W1/4, 5/16-18UNC, 1/4-20UNC, M8, M6

## Interrumpir la acción de corte a mitad de la misma

**PRECAUCIÓN:** Nunca intente retirar la herramienta forzosamente de la varilla roscada. Puede ocasionar que esta arranque de manera inesperada y ocasionar una lesión personal o daños al troquel de corte y a la herramienta.

Cuando interrumpa la acción de corte a la mitad de la misma, ajuste la palanca del interruptor de inversión a la posición de inversión y jale del gatillo interruptor hasta que la varilla roscada se libere por completo de los troqueles de corte.

## MANTENIMIENTO

**PRECAUCIÓN:** Asegúrese siempre de que la herramienta esté apagada y el cartucho de batería extraído antes de intentar realizar una inspección o mantenimiento.

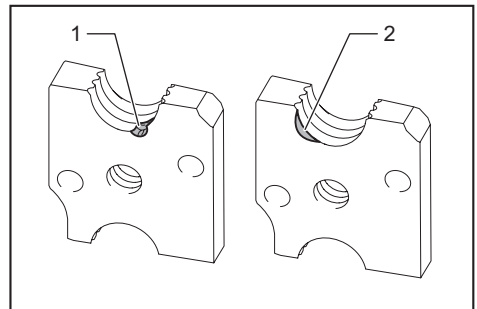
**AVISO:** Nunca use gasolina, bencina, diluyente (tiner), alcohol o sustancias similares. Puede que esto ocasione grietas o descoloramiento.

Para mantener la SEGURIDAD y FIABILIDAD del producto, las reparaciones, y cualquier otra tarea de mantenimiento o ajuste deberán ser realizadas en centros de servicio autorizados o de fábrica Makita, empleando siempre repuestos Makita.

## Reemplazo de los troqueles de corte

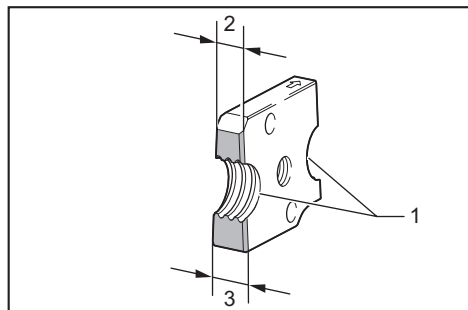
**AVISO:** Reemplace ambas troqueles de corte al mismo tiempo. Reemplazar solo un troquel de corte puede generar rebabas en la varilla roscada.

Reemplace los troqueles de corte cuando se despostillen, se deformen o el corte salga romo. Para reemplazarlos, siga las instrucciones en la sección para la instalación de los troqueles de corte.



► 1. Despostillado 2. Deformación

Un troquel de corte tiene dos bordes de corte y un lado grueso y uno delgado. Cambie las posiciones de instalación de los troqueles de corte si no ha empleado los otros lados de los bordes de corte.

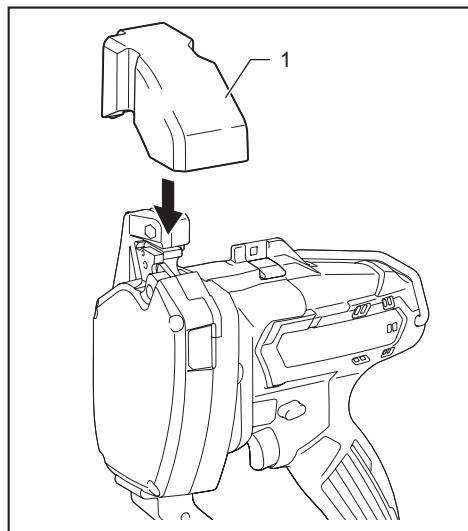


► 1. Borde de corte 2. Lado delgado 3. Lado grueso

## Cómo transportar/almacenar la herramienta

**PRECAUCIÓN:** Cuando no utilice la herramienta, coloque siempre la cubierta proporcionada a la porción de corte.

Coloque la cubierta cuando la esté transportando. Cuando almacene la herramienta, extraiga el cartucho de batería y la guía a medida de la herramienta. Limpie el polvo en los troqueles de corte y la parte móvil. Una vez hecho esto, coloque la cubierta.



► 1. Cubierta

## ACCESORIOS OPCIONALES

**PRECAUCIÓN:** Estos accesorios o aditamentos están recomendados para utilizarse con su herramienta Makita especificada en este manual. El empleo de cualquier otro accesorio o aditamento puede conllevar el riesgo de lesiones personales. Utilice los accesorios o aditamentos solamente para su fin establecido.

Si necesita cualquier ayuda para más detalles en relación con estos accesorios, pregunte a su centro de servicio local Makita.

- Troqueles de corte
- Correa para el hombro
- Batería y cargador originales de Makita

**NOTA:** Algunos de los artículos en la lista pueden incluirse en el paquete de la herramienta como accesorios estándar. Éstos pueden variar de país a país.

## GARANTÍA LIMITADA DE MAKITA

### Ésta Garantía no aplica para México

Consulte la hoja de la garantía anexa para ver los términos más vigentes de la garantía aplicable a este producto. En caso de no disponer de esta hoja de garantía anexa, consulte los detalles sobre la garantía descritos en el sitio web de su país respectivo indicado a continuación.

Estados Unidos de América: [www.makitatools.com](http://www.makitatools.com)

Canadá: [www.makita.ca](http://www.makita.ca)

Otros países: [www.makita.com](http://www.makita.com)





< USA only >

# WARNING

Some dust created by power sanding, sawing, grinding, drilling, and other construction activities contains chemicals known to the State of California to cause cancer, birth defects or other reproductive harm. Some examples of these chemicals are:

- lead from lead-based paints,
- crystalline silica from bricks and cement and other masonry products, and
- arsenic and chromium from chemically-treated lumber.

Your risk from these exposures varies, depending on how often you do this type of work. To reduce your exposure to these chemicals: work in a well ventilated area, and work with approved safety equipment, such as those dust masks that are specially designed to filter out microscopic particles.

< Sólo en los Estados Unidos >

# ADVERTENCIA

Algunos polvos creados por el lijado, aserrado, esmerilado, taladrado y otras actividades de la construcción contienen sustancias químicas reconocidas por el Estado de California como causantes de cáncer, defectos de nacimiento y otros peligros de reproducción. Algunos ejemplos de estos productos químicos son:

- plomo de pinturas a base de plomo,
- sílice cristalino de ladrillos y cemento y otros productos de albañilería, y
- arsénico y cromo de maderas tratadas químicamente.

El riesgo al que se expone varía, dependiendo de la frecuencia con la que realice este tipo de trabajo. Para reducir la exposición a estos productos químicos: trabaje en un área bien ventilada y póngase el equipo de seguridad indicado, tal como las máscaras contra polvo que están especialmente diseñadas para filtrar partículas microscópicas.

**Makita Corporation**

3-11-8, Sumiyoshi-cho,  
Anjo, Aichi 446-8502 Japan

[www.makita.com](http://www.makita.com)

885754-945  
CS01-1  
EN, ESMX  
20190822