

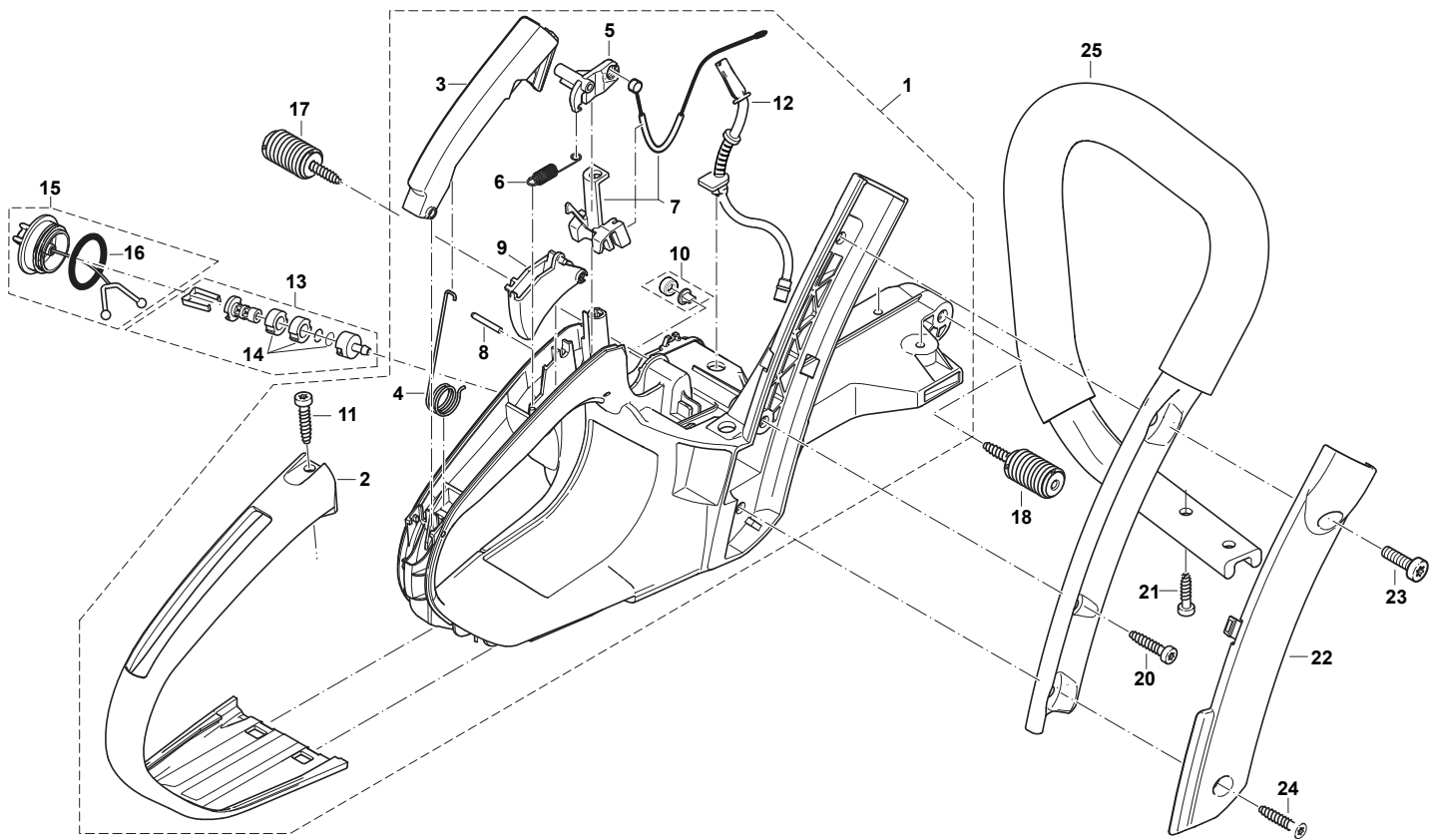


## **PARTS BREAKDOWN**

**DCS5121 (Makita Teal)**

**DCS5121R (Makita Red)**

**PS-510 (Dolmar Red)**

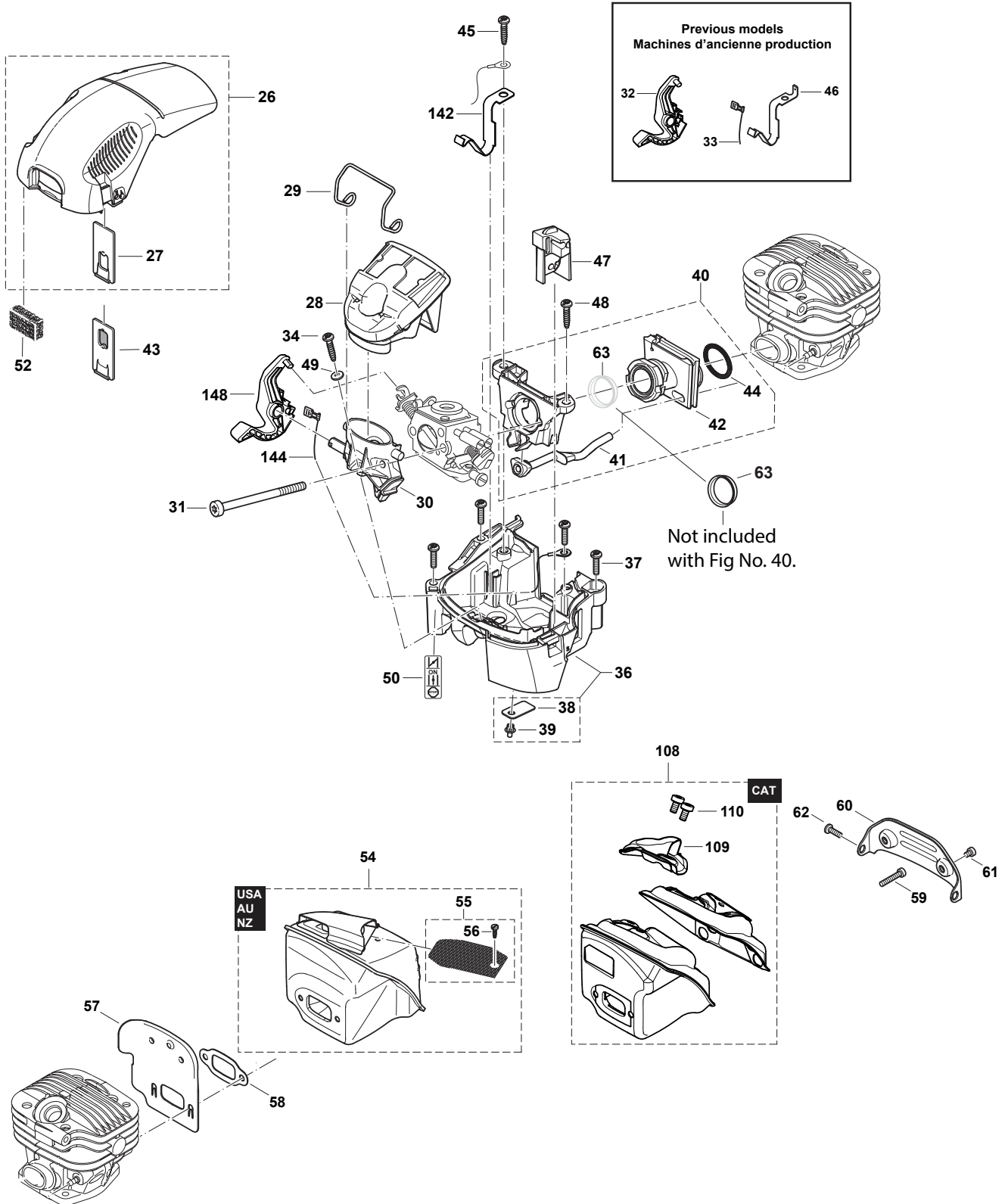


Products with multiple versions are listed in subsiding order with the newest version on top not indented.

Section	Fig. No.	Part No.	Description	DCS5121	DCS5121R	PS-510	Tech Bulletin	Notes
1	1	168507-3	TANK CP.,BLUE	1				
1	1	181-114-202	TANK CP.,BLUE	1				
1	1	181-114-720	TANK CP.,BLUE	1				
1	1	181-114-280	TANK CPL. RED		1	1		
1	2	181-117-050	GRIP, O.S. BLACK, DCS510	1	1	1		
1	3	181-117-132	CATCH LEVER, DCS510	1	1	1		
1	4	181-117-031	SPRING, DCS510	1	1	1		
1	5	181-117-081	ROCKER, DCS510	1	1	1		
1	6	181-117-111	SPRING, DCS5121	1	1	1		
1	7	010-117-050	MODIFICATION SET, DCS510	1	1	1		
1	8	935-930-240	CYLINDRAL PIN 3X24, DCS460	1	1	1		
1	9	181-117-121	THROTTLE LEVER, DCS460	1	1	1		
1	10	957-114-061	AIR VALVE CPL, DCS6401	1	1	1		
1	11	913-455-204	SCREW M5.5X20, DCS6800I	1	1	1		
1	12	181-114-065	FUEL LINE, DCS510	1	1	1		
1	12	181-114-064	FUEL LINE, DCS510	1	1	1		
1	13	010-114-010	SUCTION HEAD, DPC7001	1	1	1		
1	14	010-114-020	FILTER SET FOR SUCTION HEAD,DCS510	1	1	1		
1	15	168507-3	TANK CAP CPL., DPC7331	1	1	1		
1	15	181-114-202	TANK CAP CPL., DPC7331	1	1	1		
1	16	213080-9	PACKING RING, DPC7331	1	1	1		
1	16	963-229-036	PACKING RING, DPC7331	1	1	1		
1	17	181-114-301	DAMPING SPRING, CPL.	1	1	1		
1	17	181-114-300	SPRING CPL.	1	1	1		
1	18	181-114-301	DAMPING SPRING, CPL.	1	1	1		
1	18	181-114-300	SPRING CPL.	1	1	1		
1	20	913-455-204	SCREW M5.5X20, DCS6800I	1	1	1		
1	21	266478-9	SELF-CUTTING SCREW,DCS520I	2	2	2		
1	21	913-455-164	SELF-CUTTING SCREW,DCS520I	2	2	2		
1	22	181-114-652	COVER , BLUE	1				
1	22	181-114-650	COVER, BLUE	1				
1	22	181-114-051	COVER,RED		1	1		

Products with multiple versions are listed in subsiding order with the newest version on top not indented.

Section	Fig. No.	Part No.	Description	DCS5121	DCS5121R	PS-510	Tech Bulletin	Notes
1	23	908-006-205	F.H.SCREW, DCS460	1	1	1		
1	24	913-455-204	SCREW M5.5X20, DCS6800I	1	1	1		
1	25	181-310-251	TUBULAR HANDLE, DCS510	1	1	1		
1	25	181-310-250	TUBULAR HANDLE, DCS510	1		1		

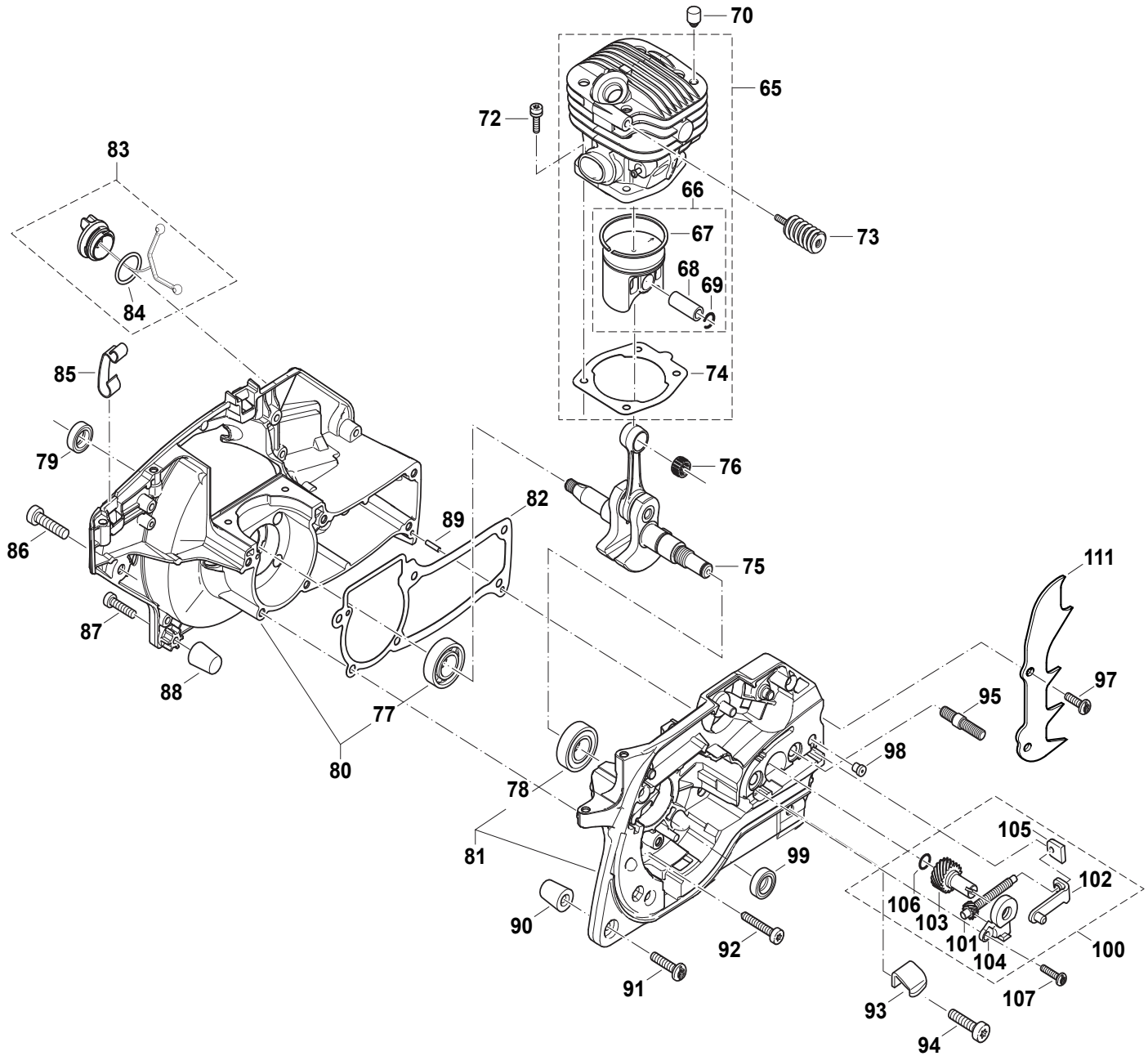


Products with multiple versions are listed in subsiding order with the newest version on top not indented.

Section	Fig. No.	Part No.	Description	DCS5121	DCS5121R	PS-510	Tech Bulletin	Notes
2	26	181-118-621	HOOD CPL. GREY	1				
2	26	181-118-250	HOOD CPL. BLACK			1		>2012-03
2	26	181-118-251	HOOD CPL. BLACK		1	1		2012-04>
2	27	181-118-060	INSERT, DCS510	1	1	1		
2	28	181-173-090	AIR FILTER CPL.NYLON,DCS510	1	1	1		
2	28	181-173-180	AIR FILTER ASS'Y	1	1	1		
2	28	181-173-240	AIR FILTER CPL.,fine	1		1		
2	28	181-173-190	AIR FILTER CPL., FLEECE, EA5000P	1	1	1		
2	29	181-171-050	AIR FILTER CLIP, DCS510	1	1	1		
2	30	010-117-050	MODIFICATION SET, DCS510	1	1	1		
2	31	266480-2	TORX SCREW 5X55, EHW120	2	2	2		
2	31	908-505-555	TORX SCREW 5X55, EHW120	2	2	2		
2	32	181-155-020	CHOKE ON/OFF SWITCH		1	1		
2	33	970-311-550	EARTH CABLE		1	1		
2	34	266478-9	SELF-CUTTING SCREW,DCS520I	1	1	1		
2	34	913-455-164	SELF-CUTTING SCREW,DCS520I	1	1	1		
2	36	181-131-603	BOTTOM BLUE	1				
2	36	181-131-601	BOTTOM BLUE	1				
2	36	181-131-103	BOTTOM RED		1	1		
2	37	266472-1	CYLINDER SCREW W/LOCKWASHER M5X20, DCS460	4	4	4		
2	37	908-805-205	CYLINDER SCREW W/LOCKWASHER M5X20, DCS460	4	4	4		
2	38	038-118-110	RUBBER FLAP, DCS460	1	1	1		
2	39	938-650-062	RIVET, DCS460	1	1	1		
2	40	181-171-150	FLANGE CPL.,DCS510	1	1	1		
2	41	181-131-090	TUBE, DCS510	1	1	1		
2	42	181-131-041	SUCTION HOSE, DCS510	1	1	1		
2	42	181-131-040	SUCTION HOSE, DCS510	1	1	1		
2	43	181-118-160	INSERT FOR SUMMER/WINTER(SNOW), DCS460	1	1	1		
2	44	233971-8	ANNULAR SPRING, DCS510	1	1	1		
2	44	181-131-070	ANNULAR SPRING, DCS510	1	1	1		
2	45	266478-9	SELF-CUTTING SCREW,DCS520I	1	1	1		
2	45	913-455-164	SELF-CUTTING SCREW,DCS520I	1	1	1		
2	46	181-155-010	CONTACT SPRING		1	1	2010-01	
2	47	181-155-080	GUIDE, DCS5121	1	1	1		2012-04>

Products with multiple versions are listed in subsiding order with the newest version on top not indented.

Section	Fig. No.	Part No.	Description	DCS5121	DCS5121R	PS-510	Tech Bulletin	Notes
2	47	181-155-030	ADJUSTING GUIDE, PS-S510			1		>2012-03
2	48	266478-9	SELF-CUTTING SCREW,DCS520I	1	1	1		
2	48	913-455-164	SELF-CUTTING SCREW,DCS520I	1	1	1		
2	49	928-405-000	WASHER, DCS340	1	1	1		
2	50	980-114-928	LABEL, DCS510	1				
2	52	181-173-250	SNOW FILTER, DCS510	1	1	1		
2	54	181-174-201	MUFFLER		1	1		>2009-12
2	55	181-174-250	SPARK ARRESTER SCREEN CPL.		1	1		>2009-12
2	56	915-035-120	SCREW		1	1		>2009-12
2	57	181-174-061	COVER PLATE	1	1	1		
2	58	181-174-050	GASKET, DCS510	1	1	1		
2	59	908-005-205	SCREW M5X20, DCS460	2	2	2		
2	60	181-174-091	PROTECTION COVER, DCS460	1	1	1		
2	61	266474-7	SCREW M5X9, DCS5200I	2	2	2		
2	61	908-005-095	SCREW M5X9, DCS5200I	2	2	2		
2	62	908-805-205	CYLINDER SCREW W/LOCKWASHER M5X20, DCS460	1	1	1		
2	63	346413-4	INSERT FOR SUCTION HOSE, DCS460	1				
2	63	185-131-020	INSERT FOR SUCTION HOSE, DCS460	1	1	1		
2	63	181-131-021	INSERT FOR SUCTION HOSE, DCS460	1	1	1		
2	108	181-174-301	MUFFLER	1	1	1		2010-01>
2	109	181-174-470	SPARK ARRESTER SCREEN CPL.	1	1	1		2010-01>
2	110	266474-7	SCREW M5X9, DCS5200I	2	2	2		
2	110	908-005-095	SCREW M5X9, DCS5200I	2	2	2		
2	142	181-155-011	CONTACT SPRING	1	1	1		
2	144	970-311-580	EARTH CABLE	1	1	1		
2	148	181-155-070	CHOKE ON/OFF SWITCH	1	1	1		



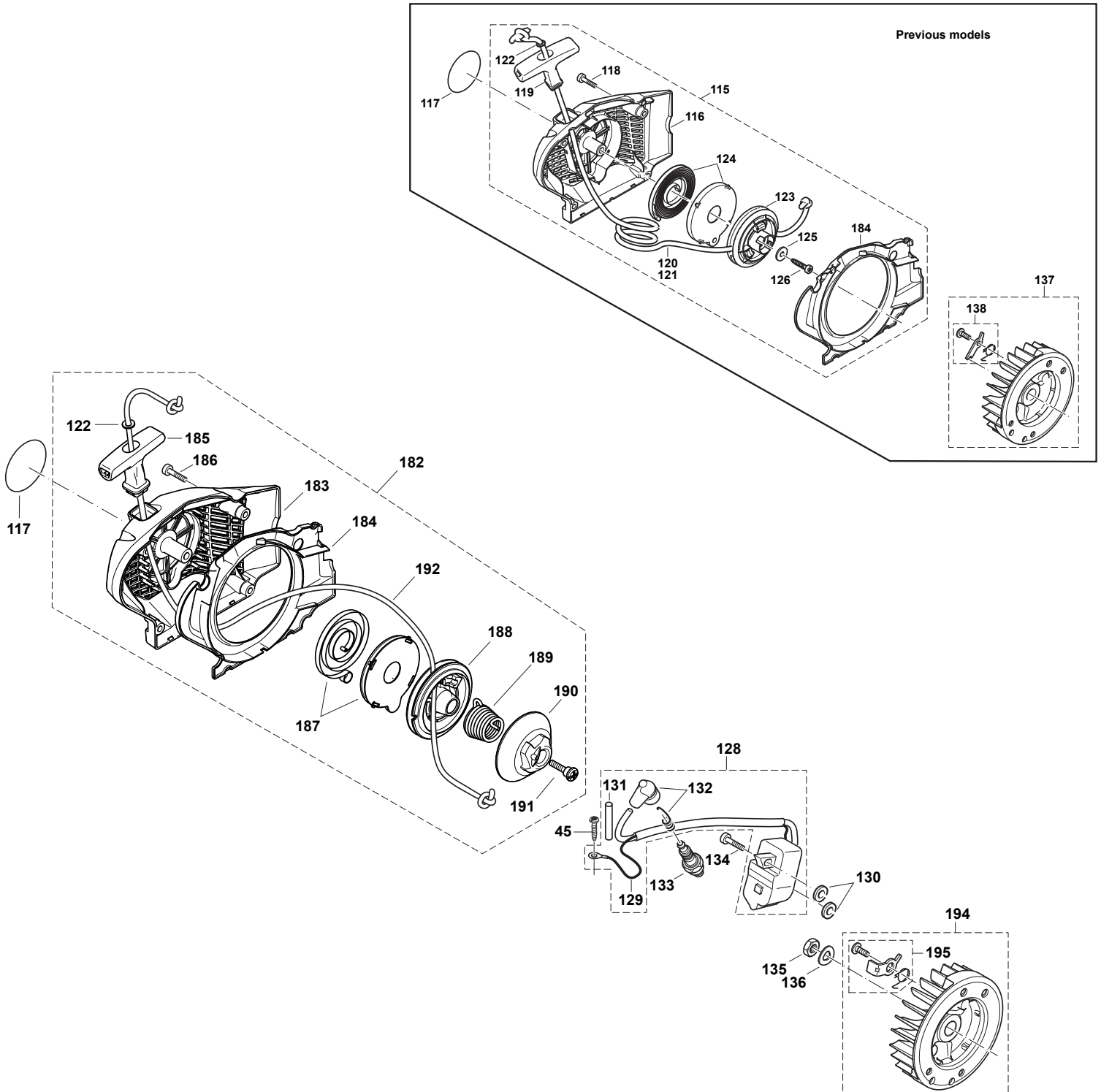


Products with multiple versions are listed in subsiding order with the newest version on top not indented.

Section	Fig. No.	Part No.	Description	DCS5121	DCS5121R	PS-510	Tech Bulletin	Notes
3	65	179-130-215	CYLINDER/PISTON CPL., DCS510	1	1	1		
3	66	181-132-064	PISTON CPL., DCS5121	1	1	1		
3	66	181-132-063	PISTON CPL., DCS510	1		1		
3	67	181-132-080	PISTON RING, DCS510	1	1	1		
3	68	181-132-040	PISTON PIN	1	1	1		
3	69	181-132-050	SPRING RING 12X1, DCS510	2	2	2		
3	70	424173-9	DAMPING PLUG	2	2	2		
3	70	181-118-070	DAMPING PLUG, DCS510			2		
3	72	908-805-235	SCREW W/SPRING WASHER, DPC7331	4	4	4		
3	73	181-114-401	DAMPING SPRING, CPL.	1	1	1		
3	73	181-114-400	DAMPING SPRING CPL.	1	1	1		
3	74	181-131-134	CYLINDER GASKET FIBRE, DCS460	1				
3	74	181-131-133	CYLINDER GASKET FIBRE, DCS460	1	1	1		
3	74	181-131-132	CYLINDER GASKET FIBRE, DCS460	1	1	1		
3	75	181-120-102	CRANKSHAFT CPL., DCS460	1	1	1	2010-13	2010-03>
3	75	181-120-100	CRANKSHAFT CPL., DCS460		1	1		>2010-02
3	76	962-210-103	NEEDLE CAGE	1	1	1		
3	76	962-210-033	NEEDLE CAGE, DCS510	1	1	1		
3	77	960-102-152	BALL BEARING, DCS6421	1	1	1		
3	77	960-102-159	BALL BEARING, DCS68001	1	1	1		
3	78	960-123-159	BALL BEARING 6202 C3, DCS510	1	1	1		
3	79	962-900-156	RADIAL RING	1	1	1		
3	79	962-900-056	RADIAL RING	1	1	1		
3	80	179-111-653	CRANKCASE MS(AL) W/SCREW SET MS, DCS460	1				
3	80	179-111-153	CRANKCASE MS(AL) W/SCREW SET MS, PS-510		1	1		
3	81	179-111-641	CRANKCASE CS W/SCREW SET CS+MS, DCS460	1				
3	81	179-111-141	CRANKCASE CS, PS-510		1	1		
3	82	181-111-060	GASKET, DCS510	1	1	1		
3	83	170-114-100	TANK CAP COMPLETE	1	1	1		
3	83	170-114-061	TANK CAP CPL.	1		1		
3	84	963-225-030	PACKING RING, DCS460	1	1	1		
3	85	181-118-050	STEEL CLIP, DCS510	3	3	3		
3	86	908-006-205	F.H.SCREW, DCS460	1	1	1		
3	87	908-805-205	CYLINDER SCREW W/LOCKWASHER M5X20, DCS460	1	1	1		
3	88	181-111-230	IMPACT PROTECTION, DCS510	1	1	1		

Products with multiple versions are listed in subsiding order with the newest version on top not indented.

Section	Fig. No.	Part No.	Description	DCS5121	DCS5121R	PS-510	Tech Bulletin	Notes
3	89	936-430-160	SPIRAL PIN 3X16, DCS460	2	2	2		
3	90	181-111-230	IMPACT PROTECTION, DCS510	1	1	1		
3	91	908-805-205	CYLINDER SCREW W/LOCKWASHER M5X20, DCS460	1	1	1		
3	92	908-005-205	SCREW M5X20, DCS460	6	6	6		
3	93	181-111-050	CHAIN CATCH, DCS510	1	1	1		
3	94	908-006-205	F.H.SCREW, DCS460	1	1	1		
3	95	905-808-210	SCREW	2	2	2		
3	95	905-808-215	SCREW M8X21	2	2	2		
3	97	908-805-205	CYLINDER SCREW W/LOCKWASHER M5X20, DCS460	2	2	2		
3	98	168504-9	VENT VALVE	1	1	1		
3	98	010-245-030	VENT VALVE, DCS6401	1		1		
3	99	962-900-065	RADIAL RING	1	1	1		
3	100	181-213-300	CHAIN TENSIONER CPL.,DCS510	1	1	1		
3	101	227743-1	TENSIONING SCREW, DCS510	1	1	1		
3	101	181-213-230	TENSIONING SCREW, DCS510	1	1	1		
3	102	181-213-240	TENSION SLIDE, DCS510	1	1	1		
3	103	181-213-250	ADJUSTING SCREW, DCS510	1	1	1		
3	104	181-213-270	TRANSMISSION COVER, DCS510	1	1	1		
3	105	181-213-260	TEN. SCREW BEARING, DCS510	1	1	1		
3	106	963-207-020	PACKING RING 7X2,DCS510	1	1	1		
3	107	908-705-125	CYLINDER SCREW M5X12, DCS460	1	1	1		
3	111	181-250-020	SPIKE BAR	1	1	1		

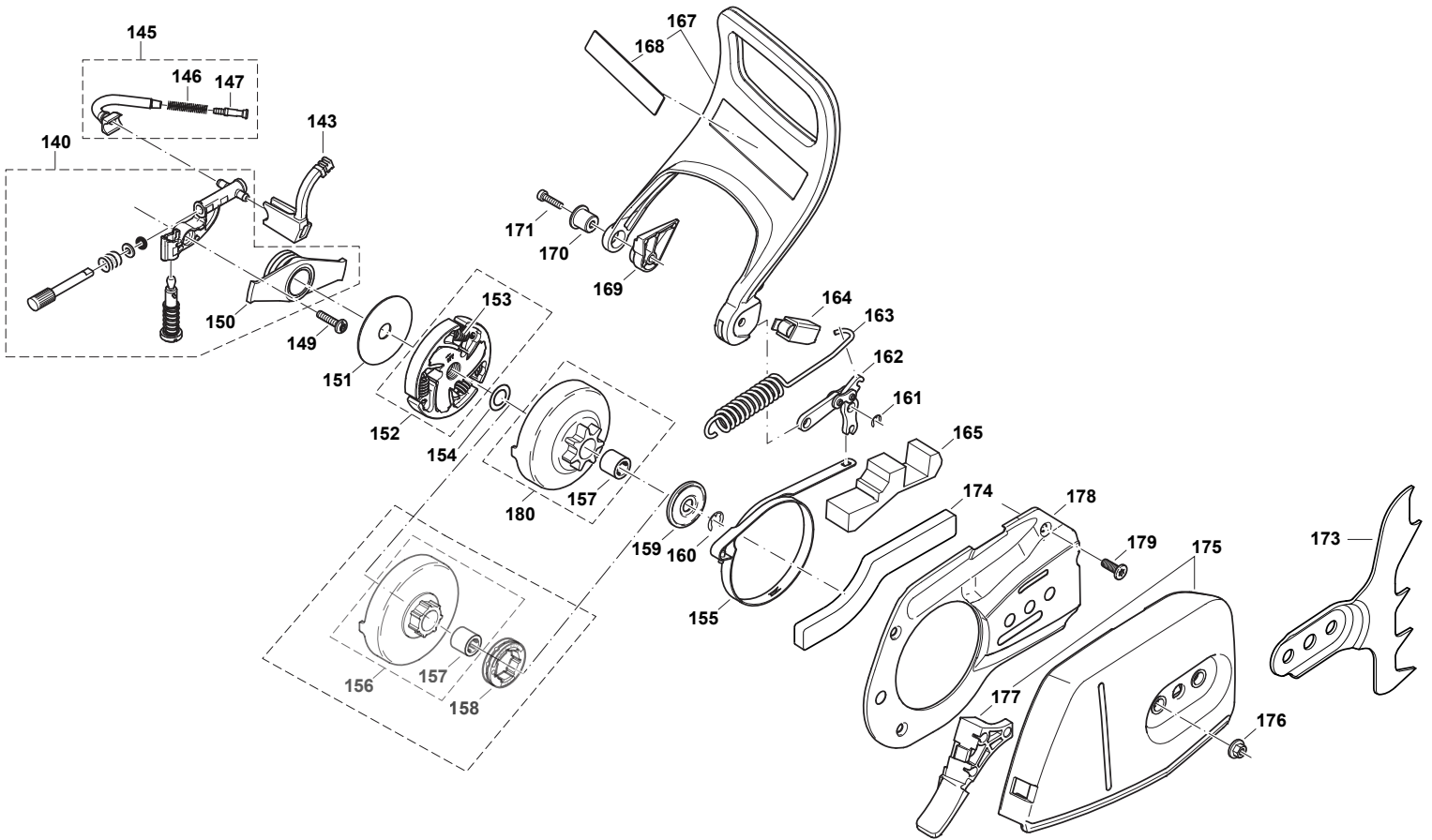


Products with multiple versions are listed in subsiding order with the newest version on top not indented.

Section	Fig. No.	Part No.	Description	DCS5121	DCS5121R	PS-510	Tech Bulletin	Notes
4	115	181-160-101	STARTING DEVICE RED CPL, PS-5105		1	1		>2009
4	116	181-112-021	FAN HOUSING, PS-510		1	1		>2009
4	117	980-115-479	LABEL, MAKITA	1				
4	117	980-115-669	LABEL, DOLMAR			1		
4	118	908-805-205	CYLINDER SCREW W/LOCKWASHER M5X20, DCS460		1	1		>2009
4	119	001-161-020	STARTER GRIP, DPC6410		1	1		>2009
4	120	108-164-020	STARTER ROPE 980mm,DCS431		1	1		>2009
4	122	928-405-000	WASHER, DCS340	1	1	1		
4	123	181-162-150	CABLE DRUM, DCS510		1	1		>2009
4	124	181-163-020	REWIND SPRING, DOLMAR, DCS510		1	1		>2009
4	125	924-605-510	WASHER 5.5X18X1.6, DCS6401		1	1		>2009
4	126	913-455-204	SCREW M5.5X20, DCS6800I		1	1		>2009
4	128	181-143-207	IGNITION COIL, DCS5121	1				
4	128	181-143-206	IGNITION COIL, DCS5121	1	1	1		EZ Start
4	128	181-143-205	IGNITION COIL RED CPL., PS-510	1		1		
4	128	181-143-204	IGNITION COIL RED CPL., DCS510			1		Non EZ Start models
4	129	181-147-050	IGNITION CABLE, DCS510	1	1	1		
4	130	195-143-031	ISOLATING WASHER	2	2	2		
4	130	195-143-030	WASHER, EK7301	2	2	2		
4	131	970-502-110	INSULATING HOSE (43 MM), DCS340	1	1	1		
4	132	957-604-260	PLUG CAP ASSY, DPC7331	1	1	1		
4	133	965-603-021	SPARK PLUG	1	1	1		NGK BPMR7A .020
4	134	908-805-205	CYLINDER SCREW W/LOCKWASHER M5X20, DCS460	2	2	2		
4	135	264022-6	HEX NUT M8X1, DCS34					
4	135	920-308-024	HEX NUT M8X1, DCS34	1	1	1		
4	136	926-208-001	SPRING WASHER 8, DPC7000	1		1		
4	137	181-141-104	FYLWHEEL CPL,		1	1		>2008-03
4	138	181-166-050	STARTER RACHET, CPL., DOLMAR		1	1		
4	182	181-160-655	STARTING DEVICE BLUE	1				
4	182	181-160-155	STARTING DEVICE, RED		1	1		
4	183	181-112-660	STARTER HOUSING BLUE	1				
4	183	181-112-060	STARTER HOUSING, RED		1	1		
4	184	181-118-041	AIR GUIDE PLATE, DCS510	1	1	1		

Products with multiple versions are listed in subsiding order with the newest version on top not indented.

Section	Fig. No.	Part No.	Description	DCS5121	DCS5121R	PS-510	Tech Bulletin	Notes
4	185	181-164-010	STARTER KNOB	1	1	1		
4	186	908-605-205	F.H. SCREW M5X20	4	4	4		
4	187	181-163-050	REWIND SPRING	1	1	1		
4	188	181-162-020	CABLE DRUM, DCS460	1	1	1		
4	189	234193-3	SPRING EASY-START, DCS460	1	1	1		
4	189	181-163-080	SPRING EASY-START, DCS460	1	1	1		
4	190	181-163-090	DRIVER FOR EASY-START, DCS460	1	1	1		
4	191	181-163-095	SCREW, DCS460	1	1	1		
4	192	181-164-020	STARTER ROPE 1100mm DCS460	1	1	1		2009>
4	192	985-000-155	STARTER ROPE 100 METER,DCS34	1	1	1		
4	194	143331-5	FLYWHEEL ASS'Y	1	1	1		
4	194	181-141-105	FLYWHEEL ASS'Y	1	1	1		
4	194	185-141-100	FLYWHEEL ASS'Y	1	1	1	2014-23	2014-04>
4	194	195-141-103	FLYWHEEL ASS'Y	1	1	1		2008-04>
4	195	195-166-100	STARTER RATCHET CPL.,	1	1	1		



Products with multiple versions are listed in subsiding order with the newest version on top not indented.

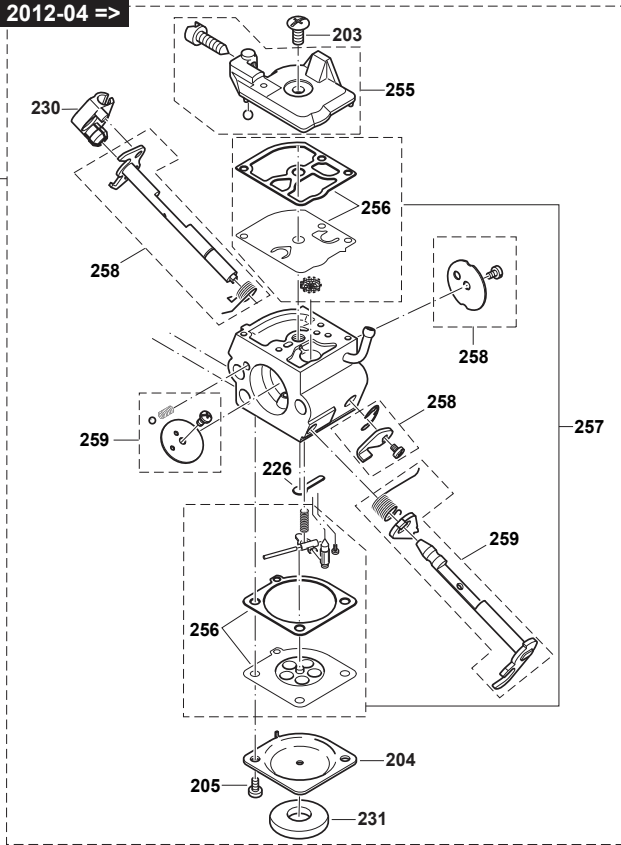
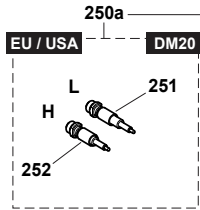
Section	Fig. No.	Part No.	Description	DCS5121	DCS5121R	PS-510	Tech Bulletin	Notes
5	140	181-245-251	OIL PUMP CPL., DCS510	1	1	1		
5	143	424178-9	OIL LINE, DCS510	1	1	1		
5	143	181-245-120	OIL LINE, DCS510	1	1	1		
5	145	181-245-100	OIL LINE CPL.,DCS510	1	1	1		
5	146	021-245-060	PRESSURE SPRING, DCS460	1	1	1		
5	147	001-245-020	HOSE STEM, DCS510	1	1	1		
5	149	908-705-125	CYLINDER SCREW M5X12, DCS460	1	1	1		
5	150	450956-1	PUMP DRIVE, DCS510	1	1	1		
5	150	181-245-090	PUMP DRIVE, DCS510	1	1	1		
5	151	001-182-042	GUIDE DISC, DCS6401	1	1	1		
5	152	181-180-200	CLUTCH CPL., DCS510	1	1	1		
5	153	181-184-010	SPRING, DCS510	3	3	3		
5	154	181-224-090	SHIM	1	1	1		
5	154	021-224-011	DISC, DCS340	1	1	1		
5	155	346029-5	BRAKE SPRING	1	1	1		
5	155	181-213-011	BRAKE SPRING	1	1	1		
5	155	181-213-010	BRAKE SPRING	1	1	1		
5	156	144765-5	CLUTCH DRUM CPL.	1	1	1		Accessory item only
5	157	962-300-009	NEEDLE SLEEVER, DCS510	1	1	1		
5	158	026-224-010	RIM SPROCKET 3/8"	1	1	1		Accessory item only
5	158	181-224-040	RIM SPROCKET .325"	1	1	1		Accessory item only
5	159	267820-7	DISC, DCS510	1	1	1		
5	159	181-224-081	DISC, DCS510	1	1	1		
5	160	259045-7	RETAINING CLIP, DCS6401	1	1	1		
5	160	927-408-000	RETAINING CLIP, DCS6401	1	1	1		
5	161	961011-9	SAFETY WASHER , DCS431	1	1	1		
5	161	257934-0	SAFETY WASHER , DCS431	1	1	1		
5	161	927-304-000	SAFETY WASHER , DCS431	1	1	1		
5	162	163500-2	LINK PLATE CPL	1	1	1		
5	162	181-213-100	BRAKING MECHANISM, DCS510	1	1	1		
5	163	181-213-023	TENSION SPRING	1	1	1		
5	163	181-213-022	TENSION SPRING	1	1	1		
5	163	181-213-350	SPRING	1	1	1		
5	164	181-213-170	H.GUARD GUIDE CPL.,DCS510	1	1	1		
5	165	181-213-371	FOAM SPONGE, DCS510	1	1	1		

Products with multiple versions are listed in subsiding order with the newest version on top not indented.

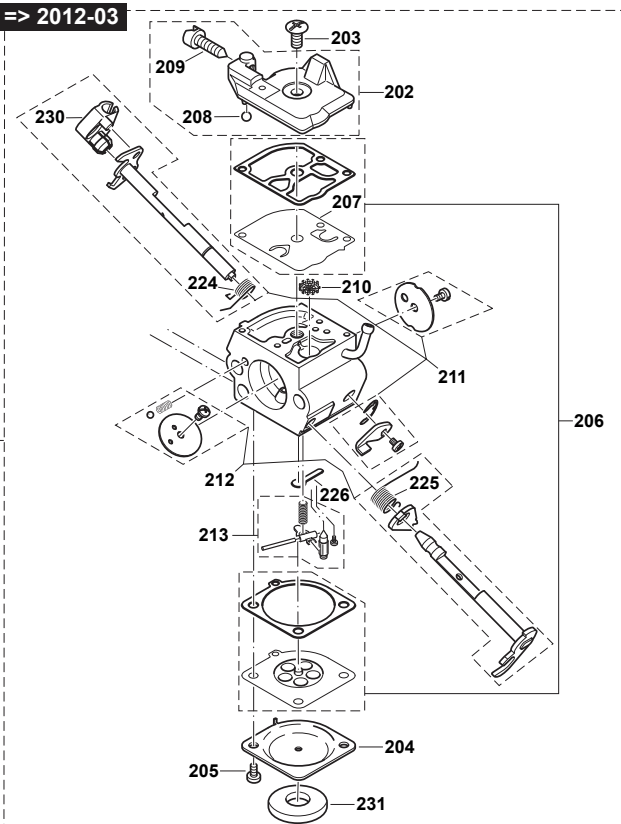
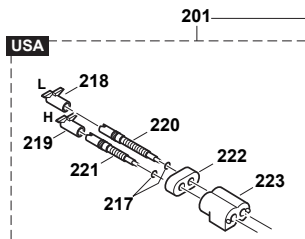
Section	Fig. No.	Part No.	Description	DCS5121	DCS5121R	PS-510	Tech Bulletin	Notes
5	167	181-213-162	HAND GUARD CPL.	1				
5	167	181-213-161	HAND GUARD CPL.	1	1	1		
5	167	181-213-160	HAND GUARD CPL.	1	1	1		
5	169	181-213-310	SPACER, DCS510	1	1	1		
5	170	181-213-320	BUSHING, DCS510	1	1	1		
5	171	908-805-205	CYLINDER SCREW W/LOCKWASHER M5X20, DCS460	1	1	1		
5	173	181-250-030	SPIKE BAR	1	1	1		
5	174	181-213-400	FOAM PLATE, DCS460	1	1	1		
5	175	957-213-600	SPROCKET GUARD CPL.,DCS510	1				
5	175	957-213-200	SPROCKET GUARD CPL., PS-510		1	1		
5	176	252145-2	HEX NUT, DCS341	2	2	2		
5	176	923-208-004	HEX NUT, DCS341	2	2	2		
5	177	957-213-220	CHIP GUIDE, DCS510	1	1	1		
5	178	181-213-191	COVER	1	1	1		
5	178	181-213-190	COVER	1		1		
5	179	266477-1	FLAT HEAD SCREW M5X12, DCS460	3	3	3		
5	179	908-105-126	FLAT HEAD SCREW M5X12, DCS460	3	3	3		
5	180	181-223-312	CLUTCH DRUM CPL..325"	1	1	1		Standard equipment
5	180	181-223-311	CLUTCH DRUM CPL..325"	1		1		
5	180	181-223-322	CLUTCH DRUM CPL., 3/8"	1	1	1		Standard equipment
5	180	181-223-321	CLUTCH DRUM CPL., 3/8"	1		1		



2012-04 =>



=> 2012-03

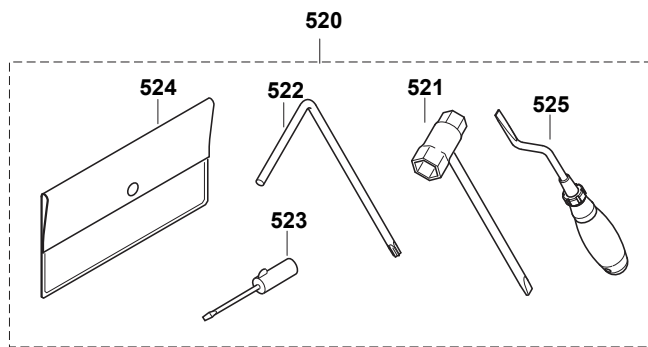
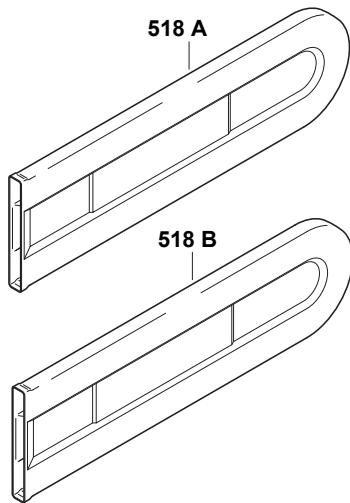
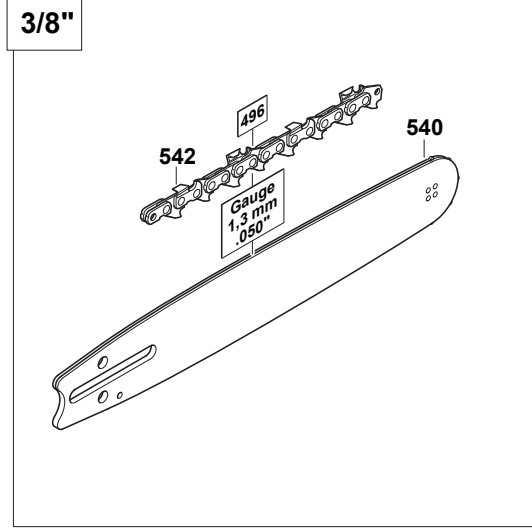
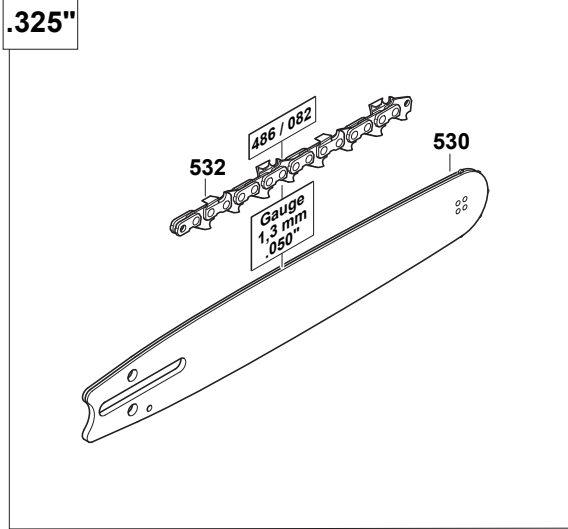


Products with multiple versions are listed in subsiding order with the newest version on top not indented.

Section	Fig. No.	Part No.	Description	DCS5121	DCS5121R	PS-510	Tech Bulletin	Notes
6	201	181-153-301	CARBURETOR, DCS5121	1	1	1		2012-04>
6	201	181-153-300	CARBURETOR, DCS510			1		>2012-03
6	203	038-153-360	SCREW	1	1	1		
6	204	181-153-040	DIAPHRAGM COVER, DCS510	1	1	1		
6	205	001-153-020	SCREW, DCS460	2	2	2		
6	206	181-153-020	SET DIAPHRAGM / GASKETS			1		>2012-03
6	207	181-153-050	PUMP DIAPHRAGM TEFLON			1		>2012-03
6	207	181-153-060	PUMP DIAPHRAGM RUBBER			1		>2012-03
6	208	038-153-210	FRICTION BALL			1		>2012-03
6	209	181-153-020	IDLE STOP SCREW			1		>2012-03
6	210	036-153-040	SCREEN			1		>2012-03
6	211	957-153-090	KIT THROTTLE SHAFT			1		>2012-03
6	212	957-153-080	KIT CHOKE SHAFT			1		>2012-03
6	213	957-153-070	CONTROL PARTS			1		>2012-03
6	217	181-153-220	WASHER			1		>2012-03
6	218	181-153-280	LIMITER CAP, WHITE			1		>2012-03
6	219	038-153-310	LIMITER CAP, RED			1		>2012-03
6	220	181-153-260	IDLE ADJUSTMENT SCREW			1		>2012-03
6	221	181-153-270	MAIN ADJUSTMENT SCREW			1		>2012-03
6	222	181-153-290	RUBBER RING			1		>2012-03
6	223	038-153-320	ADJUSTING GUIDE			1		>2012-03
6	224	181-153-110	SPRING			1		>2012-03
6	225	181-153-160	SPRING			1		>2012-03
6	226	181-153-210	PLUG-WELCH, DCS510	1	1	1		2012-04>
6	230	038-155-012	RETAINING CLIP, DCS6401	1	1	1		2012-04>
6	231	965-402-991	GASKET	1	1	1		2012-04>
6	251	181-153-261	IDLE ADJUSTMENT SCREW	1	1	1		2012-04>
6	252	181-153-271	MAIN ADJUSTMENT SCREW	1	1	1		2012-04>
6	255	181-153-031	PUMP COVER CPL	1	1	1		2012-04>
6	256	181-153-021	SET DIAPHRAGM / GASKETS	1	1	1		2012-04>
6	257	181-153-560	REBUILD KIT	1	1	1		2012-04>

Products with multiple versions are listed in subsiding order with the newest version on top not indented.

Section	Fig. No.	Part No.	Description	DCS5121	DCS5121R	PS-510	Tech Bulletin	Notes
6	258	181-153-570	KIT THROTTLE SHAFT	1	1	1		2012-04>
6	259	181-153-580	KIT CHOKE SHAFT	1	1	1		2012-04>
6	250a	181-153-301	CARBURETOR	1	1	1		2012-04>



Products with multiple versions are listed in subsiding order with the newest version on top not indented.

Section	Fig. No.	Part No.	Description	DCS5121	DCS5121R	PS-510	Tech Bulletin	Notes
7	510	443-045-661	18" 3/8 SPROCKET NOSE BAR	1				
7	510	411-909-660	18" 3/8 SPROCKET NOSE BAR		1	1		
7	512	523-102-064	SAW CHAIN	1	1	1		
7	518A	419560-5	CHAIN PROTECTOR 18"	1	1	1		
7	518B	952-020-650	CHAIN PROTECTOR 20"	1	1	1		
7	520	957-004-002	TOOL KIT CPL.	1	1	1		
7	521	941-719-133	UNIVERSAL WRENCH, DCS6401	1	1	1		
7	521	941-719-131	UNIVERSAL WRENCH, DCS6401	1	1	1		
7	522	782025-3	WRENCH TORX, DCS431	1	1	1		
7	522	940-827-000	WRENCH TORX, DCS431	1	1	1		
7	523	944-340-001	CARBURETOR SCREWDRIVER, DPC8132	1	1	1		
7	524	950-004-002	PLASTIK BAG	1	1	1		