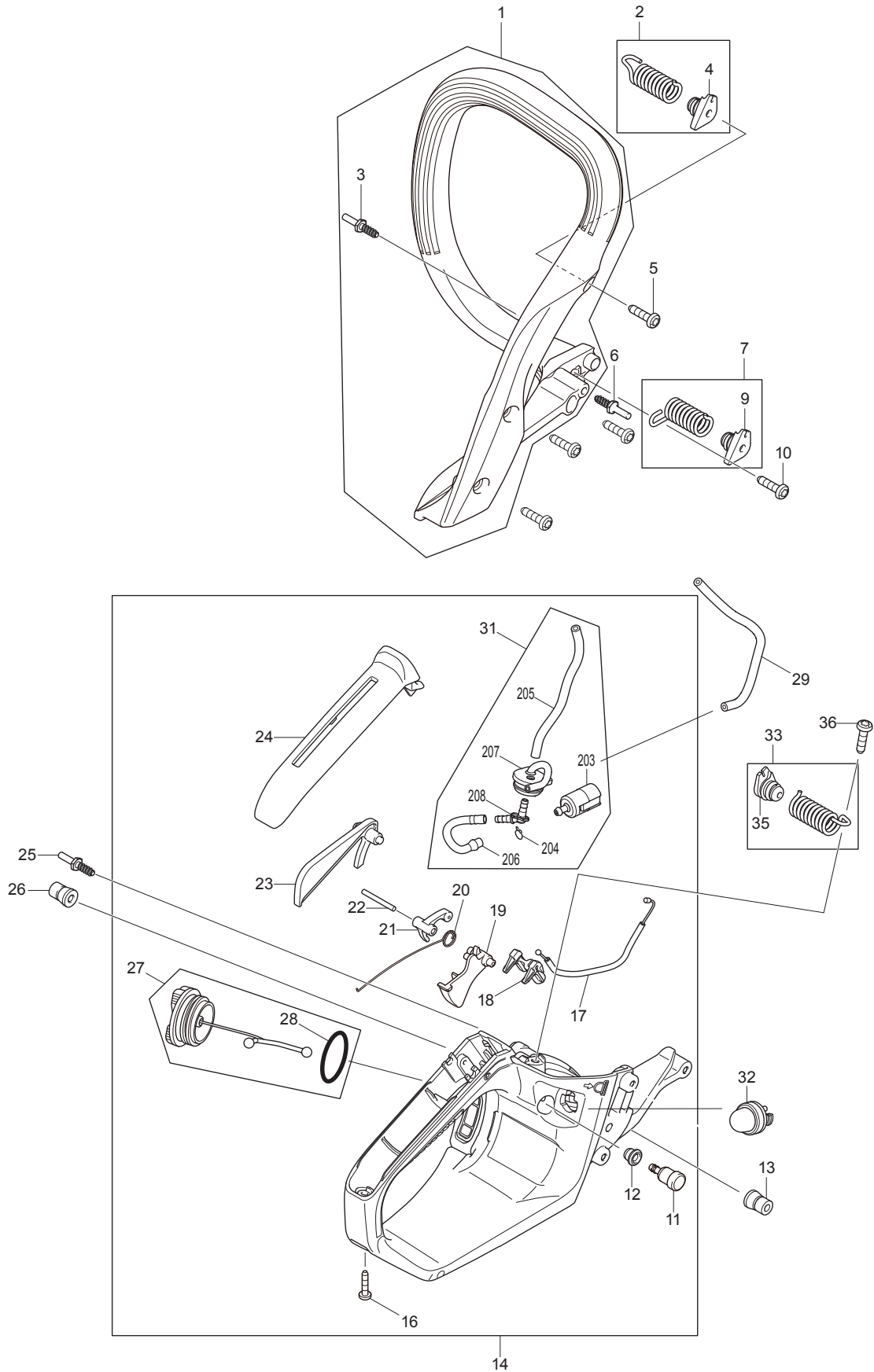




**EA3601FRDB**

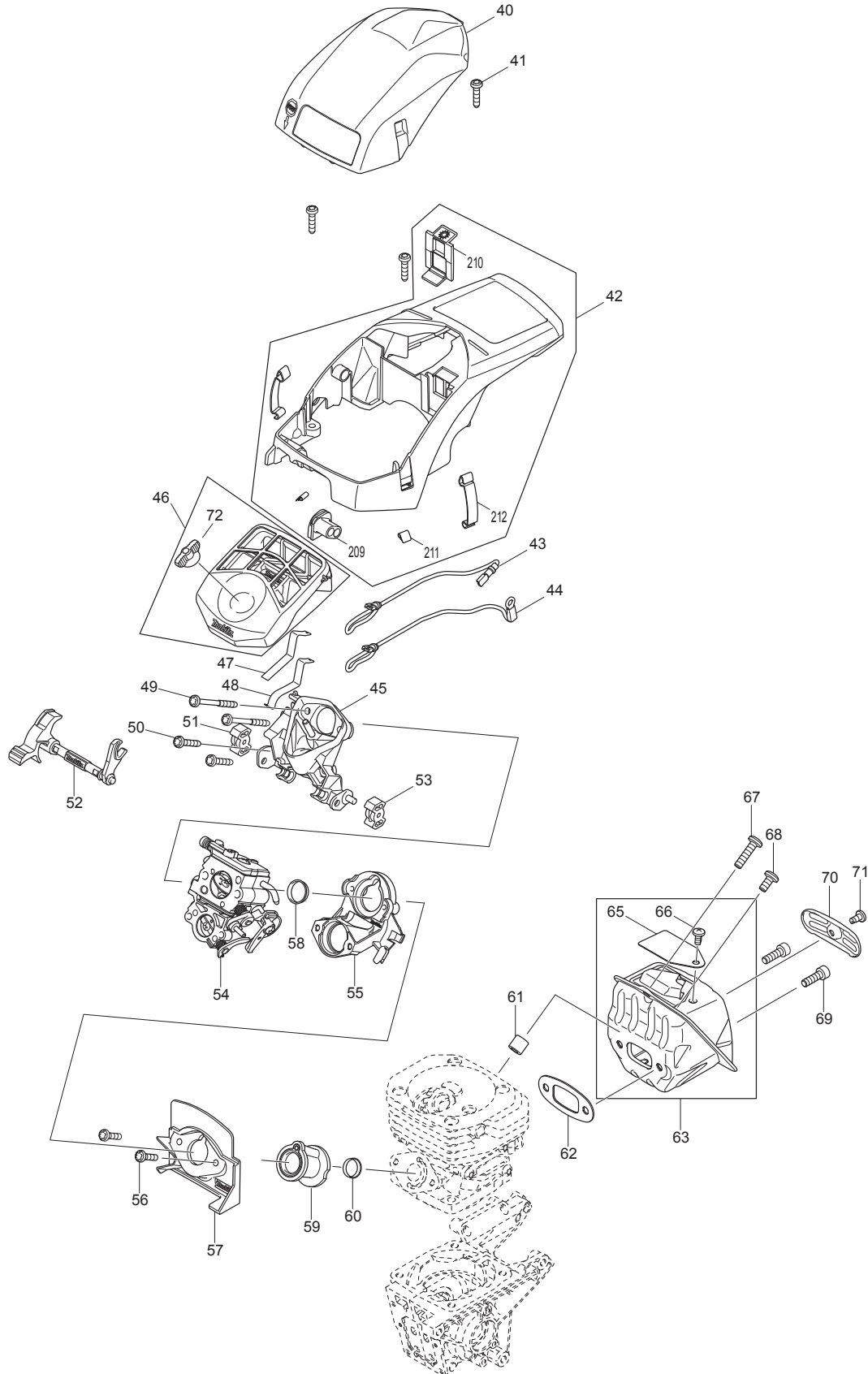


Products with multiple versions are listed in subsiding order with the newest version on top not indented.

Section	Fig. No.	Part No.	Description	EA3601FRDB	Tech Bulletin	Notes
1	1	142225-1	FRONT HANDLE COMPLETE	1		INC. 3
1	2	142226-9	DAMPER SPRING R COMPLETE	1		INC. 4
1	3	326339-6	STOPPER PIN	1		
1	4	454506-4	SPRING HOLDER	1		
1	5	266856-3	H.L. TAPPING SCREW 5X20	4		
1	6	326339-6	STOPPER PIN	1		
1	7	142227-7	DAMPER SPRING F COMPLETE	1		INC. 9
1	9	454506-4	SPRING HOLDER	1		
1	10	266856-3	H.L. TAPPING SCREW 5X20	1		
1	11	168396-6	BREATHER	1		
1	12	424576-7	GROMMET	1		
1	13	424577-5	SIDE STOPPER	1		
1	14	126345-9	RIGHT HANDLE ASSEMBLY	1		INC. 16-24
1	16	266858-9	H.L. TAPPING SCREW 4X18	1		
1	17	168812-8	THROTTLE CABLE	1		
1	18	454501-4	CABLE BRACKET	1		
1	19	454499-5	THROTTLE LEVER	1		
1	20	233606-1	RETURN SPRING	1		
1	21	454500-6	CABLE PULL LEVER	1		
1	22	268187-6	PIN 3	1		
1	23	454502-2	LOCKOUT LEVER	1		
1	24	454503-0	GRIP COVER	1		
1	25	326339-6	STOPPER PIN	1		
1	26	424577-5	SIDE STOPPER	1		
1	27	168507-3	TANK CAP COMPLETE	1		INC. 28
1	28	213080-9	O RING 29.5	1		
1	29	422116-5	JOINT PIPE	1		
1	31	126347-5	FUEL PIPE ASSEMBLY	1		INC. 203-208
1	32	168398-2	PRIMER PUMP	1		
1	33	142226-9	DAMPER SPRING R COMPLETE	1		INC. 35
1	34	814S96-7	EA3601F NAME PLATE	1		
1	35	454506-4	SPRING HOLDER	1		
1	36	266856-3	H.L. TAPPING SCREW 5X20	1		

Products with multiple versions are listed in subsiding order with the newest version on top not indented.

Section	Fig. No.	Part No.	Description	EA3601FRDB	Tech Bulletin	Notes
1	39	801Y92-0	GAS EMISSION APPROVAL LABEL	1		
1	203	163518-3	GASOLINE FILTER	1		
1	204	282020-8	HOSE CLAMP	1		
1	205	422113-1	OUTER FUEL PIPE	1		
1	206	422114-9	INNER FUEL PIPE	1		
1	207	424575-9	GROMMET	1		
1	208	454508-0	HOSE JOINT	1		

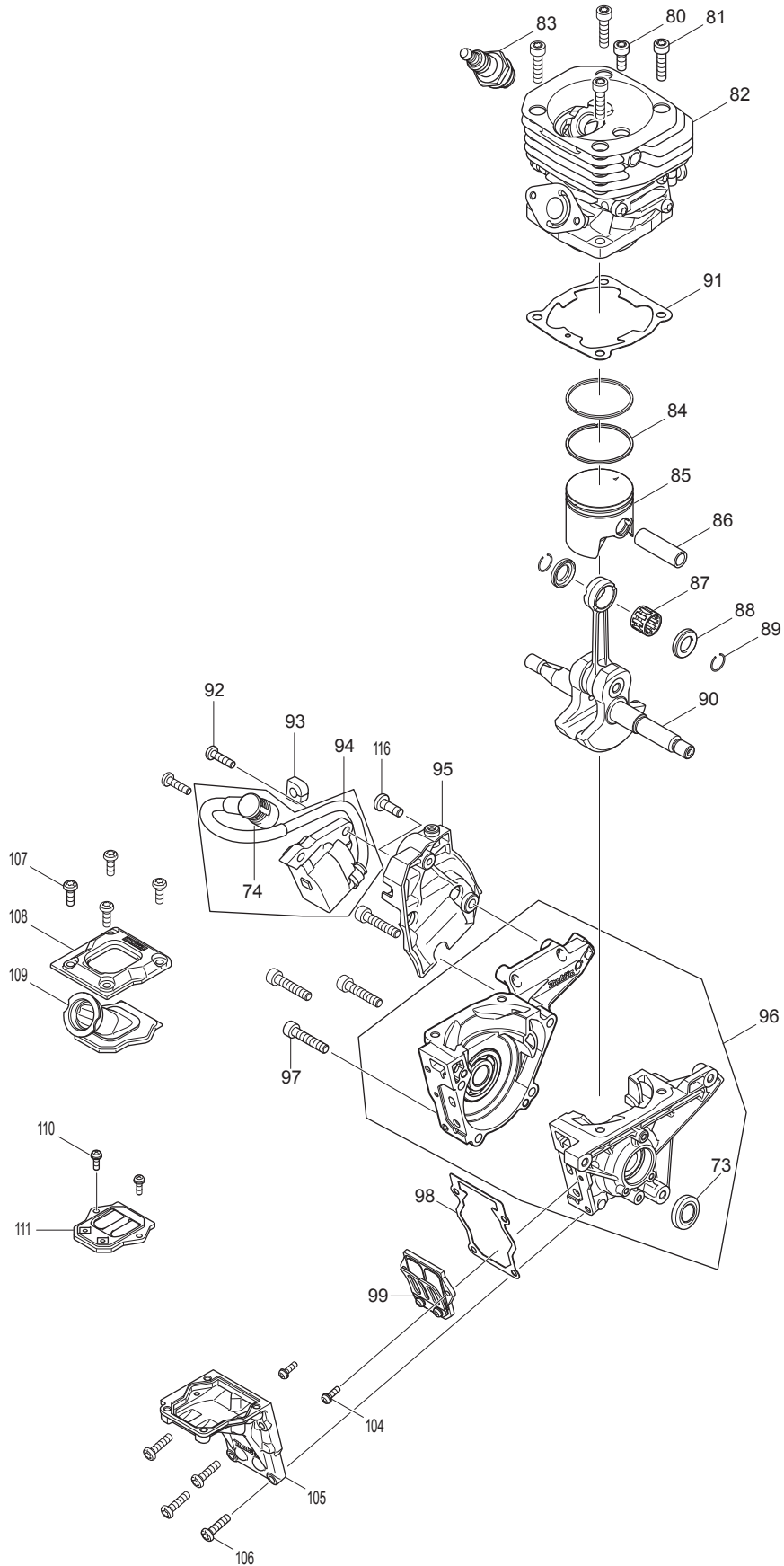


Products with multiple versions are listed in subsiding order with the newest version on top not indented.

Section	Fig. No.	Part No.	Description	EA3601FRDB	Tech Bulletin	Notes
2	40	142239-0	CLEANER COVER COMPLETE	1		
2		263002-9	RUBBER PIN 4	1		INC WITH FIG 40
2	41	266858-9	H.L. TAPPING SCREW 4X18	3		
2	42	126367-9	CYLINDER COVER ASSEMBLY	1		INC. 209-212
2	43	632A97-3	SWITCH CORD	1		
2	44	632A98-1	EARTH CORD	1		
2	45	457411-4	MANIFOLD	1	B5832	NOV 2016>
2	45	454532-3	MANIFOLD	1	B5832	>OCT 2016
2	46	126370-0	CLEANER ASSEMBLY	1		
2		454537-3	KNOB	1		INC WITH FIG 46
2	47	346704-3	EARTH PLATE	1		
2	48	346705-1	SWITCH SPRING	1		
2	49	266860-2	H.L. TAPPING SCREW 4X15	2		
2	50	266861-0	H.L. TAPPING SCREW 4X22	2		
2	51	424582-2	DAMPER	1		
2	52	454533-1	SWITCH LEVER	1		
2	53	424582-2	DAMPER	1		
2	54	161914-9	CARBURETOR ASSEMBLY	1	D0294	JAN 2020>
2	54	161633-7	CARBURETOR ASSEMBLY	1	D0294	>DEC 2020
2	54	168819-4	CARBURETOR ASSEMBLY	1		INC. 215-239
2	55	454531-5	BRACKET	1		
2	56	266848-2	H.L.HEAD BIND BOLT M4X16	2		
2	57	454488-0	BUFFLE PLATE	1		
2	58	332074-6	INNER RING	1		
2	59	424571-7	INLET PIPE	1		
2	60	332075-4	INNER RING	1		
2	61	326304-5	SPACER	1		
2	62	413164-5	MUFFLER GASKET	1		
2	63	126936-6	MUFFLER ASSEMBLY	1	D0294	JAN 2020>
2	63	126342-5	MUFFLER ASSEMBLY	1	D0294	>DEC 2020
2	65	352023-7	SCREEN	1		
2	66	266796-5	TAPPING SCREW 4X8	1		
2	67	266851-3	H.L.BIND BOLT M5X20	1		
2	68	266850-5	H.L.BIND BOLT M5X10	1		

Products with multiple versions are listed in subsiding order with the newest version on top not indented.

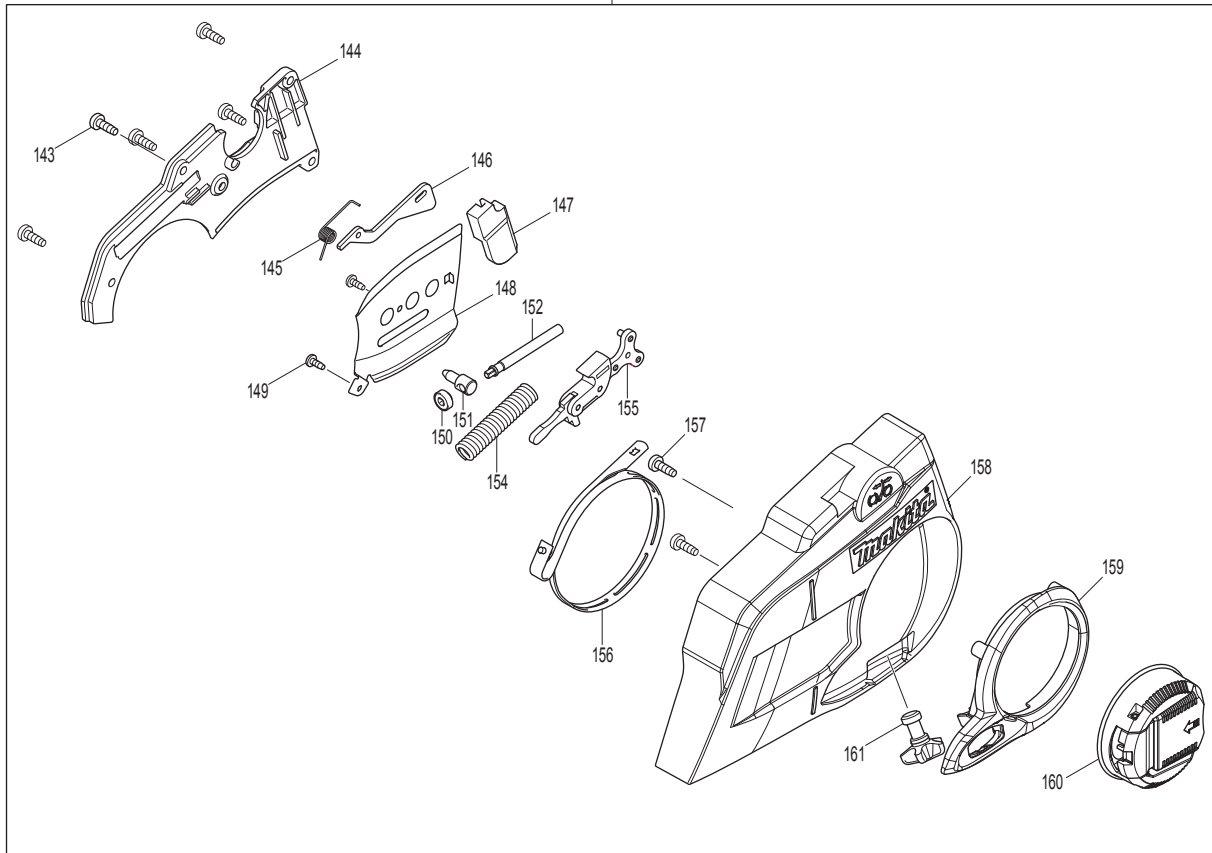
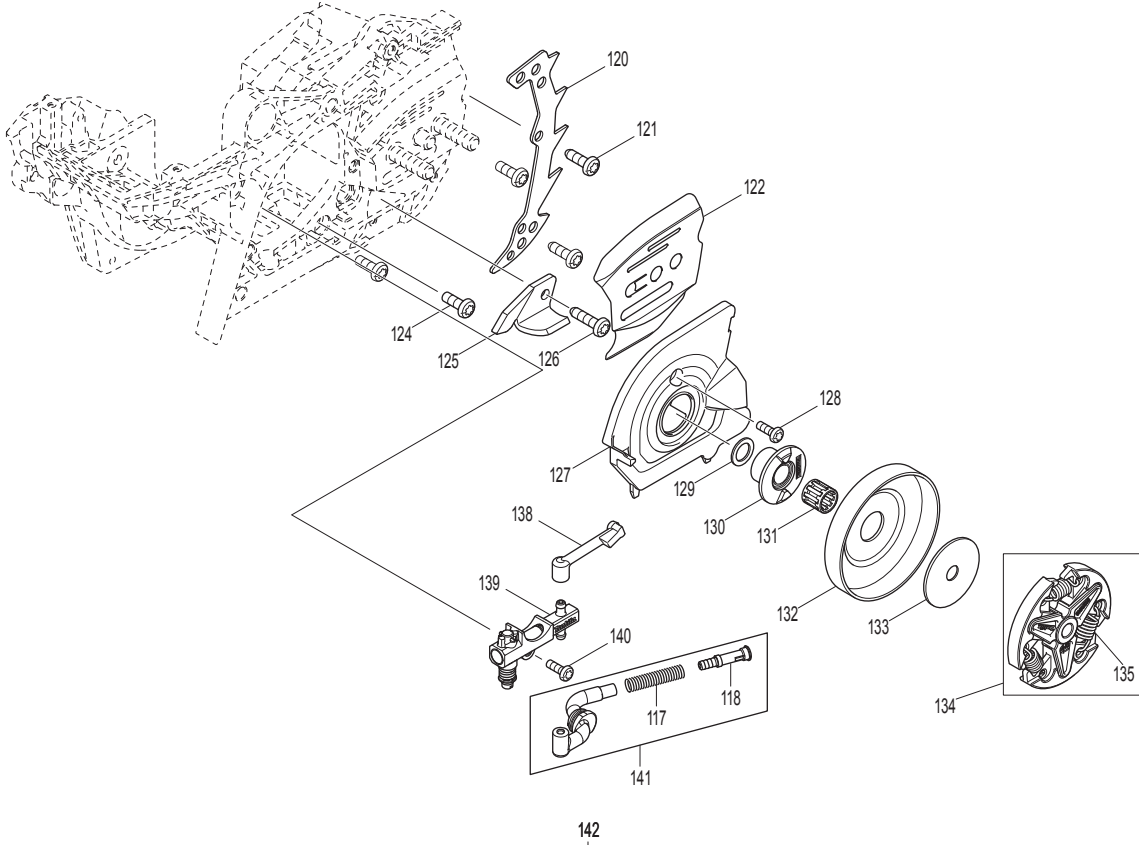
Section	Fig. No.	Part No.	Description	EA3601FRDB	Tech Bulletin	Notes
2	69	266849-0	H.L.SOCKET HEAD BOLT M5X16	2		
2	70	346691-6	DUST COVER	1		
2	71	266936-5	H.L.BIND BOLT M4X8	1		
2	209	424595-3	NEEDLE GUIDE	1		
2	210	454496-1	SHUTTER PLATE	1		
2	211	232284-4	LEAF SPRING	2		
2	212	346696-6	HOOK	2		
2	E01	347558-1	HEAT PROTECTION FOIL	1	D0294	NOT PICTURED JAN 2020>





Products with multiple versions are listed in subsiding order with the newest version on top not indented.

Section	Fig. No.	Part No.	Description	EA3601FRDB	Tech Bulletin	Notes
3	80	266859-7	H.L.SOCKET HEAD BOLT M5X12	1		
3	81	266847-4	H.L.SOCKET HEAD BOLT M5X20	4		
3	82	142223-5	CYLINDER COMPLETE	1		
3	83	649500-1	SPARK PLUG (BPMR8Y)	1		
3	84	257365-3	PISTON RING	2		
3	85	319023-0	PISTON	1		
3	86	268331-5	PISTON PIN	1		
3	87	212127-6	NEEDLE CAGE 1011	1		
3	88	346698-2	THRUST WASHER	2		
3	89	234307-4	RETEAINING RING	2		
3	90	142229-3	CRANK SHAFT COMPLETE	1		
3	91	413163-7	BASE GASKET	1		
3	92	266848-2	H.L.HEAD BIND BOLT M4X16	2		
3	93	424581-4	GROMMET	1		
3	94	126350-6	IGNITION COIL ASSEMBLY	1		
3		424580-6	PLUG CAP	1		INC WITH FIG 94
3	95	454520-0	PLATE	1		
3	96	142224-3	CRANK CASE COMPLETE	1		
3		213697-8	OIL SEAL	2		INC WITH FIG 96
3	97	266852-1	H.L.SOCKET HEAD BOLT M5X25	4		
3	98	413165-3	GASKET	1		
3	99	123924-4	REED VALVE	1	B5832	NOV 2016>
3	99	126343-3	REED VALVE	1	B5832	>OCT 2016
3	104	911013-5	PAN HEAD SCREW M3X10	2		
3	105	319022-2	REED VALVE COVER	1		
3	106	266848-2	H.L.HEAD BIND BOLT M4X16	4		
3	107	266846-6	H.L.BIND BOLT M4X12	4		
3	108	454489-8	BRACKET	1		
3	109	424572-5	AIR BOOT	1		
3	110	911013-5	PAN HEAD SCREW M3X10	2		
3	111	123923-6	REED VALVE	1	B5832	NOV 2016>
3	111	126343-3	REED VALVE	1	B5832	>OCT 2016
3	116	266854-7	H.L. BIND BOLT M5X14	1		

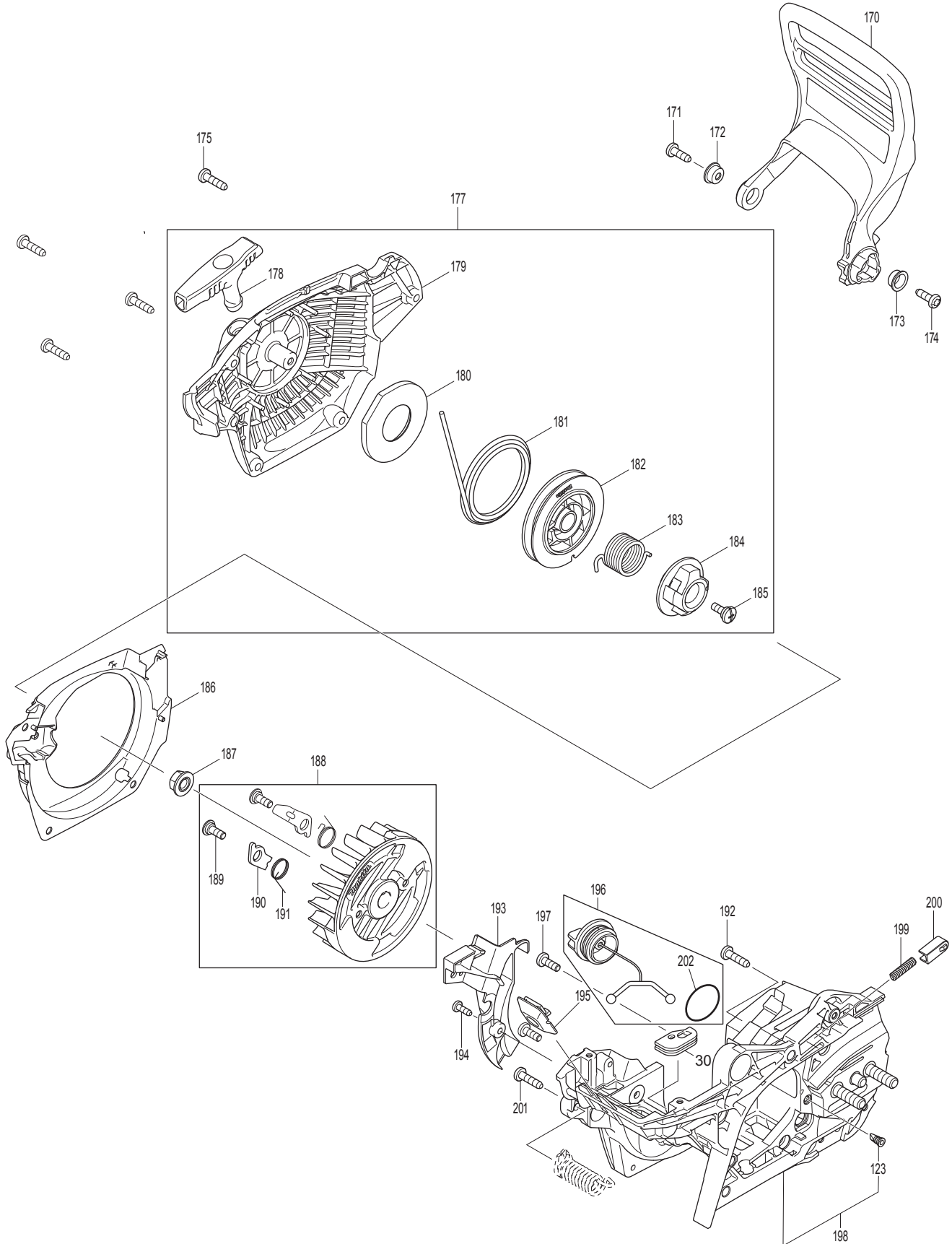


Products with multiple versions are listed in subsiding order with the newest version on top not indented.

Section	Fig. No.	Part No.	Description	EA3601FRDB	Tech Bulletin	Notes
4	117	234207-8	COMPRESSION SPRING 6	1		
4	118	452666-6	NIPPLE	1		
4	120	346695-8	SPIKE BUMPER	1		
4	121	266857-1	H.L. TAPPING SCREW 5X16	2		
4	122	346694-0	GUIDE PLATE ES	1		
4	124	266854-7	H.L. BIND BOLT M5X14	3		
4	125	346722-1	CHAIN CATCHER	1		
4	126	266856-3	H.L. TAPPING SCREW 5X20	1		
4	127	454509-8	PUMP COVER	1		
4	128	266846-6	H.L. BIND BOLT M4X12	1		
4	129	267047-9	FLAT WASHER 10	1		
4	130	221427-3	WORM GEAR	1		
4	131	212129-2	NEEDLE CAGE 1013	1		
4	132	165725-4	CLUTCH DRUM COMPLETE	1		
4	133	346693-2	BACK PLATE	1		
4	134	126348-3	CLUTCH ASSEMBLY	1		
4		231883-9	TENSION SPRING 8	3		INC WITH FIG 134
4	138	424579-1	OIL PIPE (OUT)	1		
4	139	142156-4	OIL PUMP COMPLETE	1		
4	140	266846-6	H.L. BIND BOLT M4X12	1		
4	141	126349-1	OIL PIPE ASSEMBLY	1		INC. 117,118
4	142	123551-7	CHAIN COVER ASSEMBLY	1		INC. 143-152,154-161
4	143	266855-5	H.L. TAPPING SCREW 4X12	5		
4	144	454515-3	SPRING COVER	1		
4	145	233607-9	TORSION SPRING 6	1		
4	146	346702-7	LEVER	1		
4	147	313265-8	WEIGHT	1		
4	148	346699-0	GUIDE PLATE CS	1		
4	149	266166-8	TAPPING SCREW CT 3X8	1		
4	150	227496-2	STRAIGHT BEVEL GEAR 14	1		
4	151	326310-0	ADJUST PIN	1		
4	152	326312-6	ADJUST SCREW	1		
4	154	234304-0	COMPRESSION SPRING 7	1		
4	155	142234-0	LEVER COMPLETE	1		

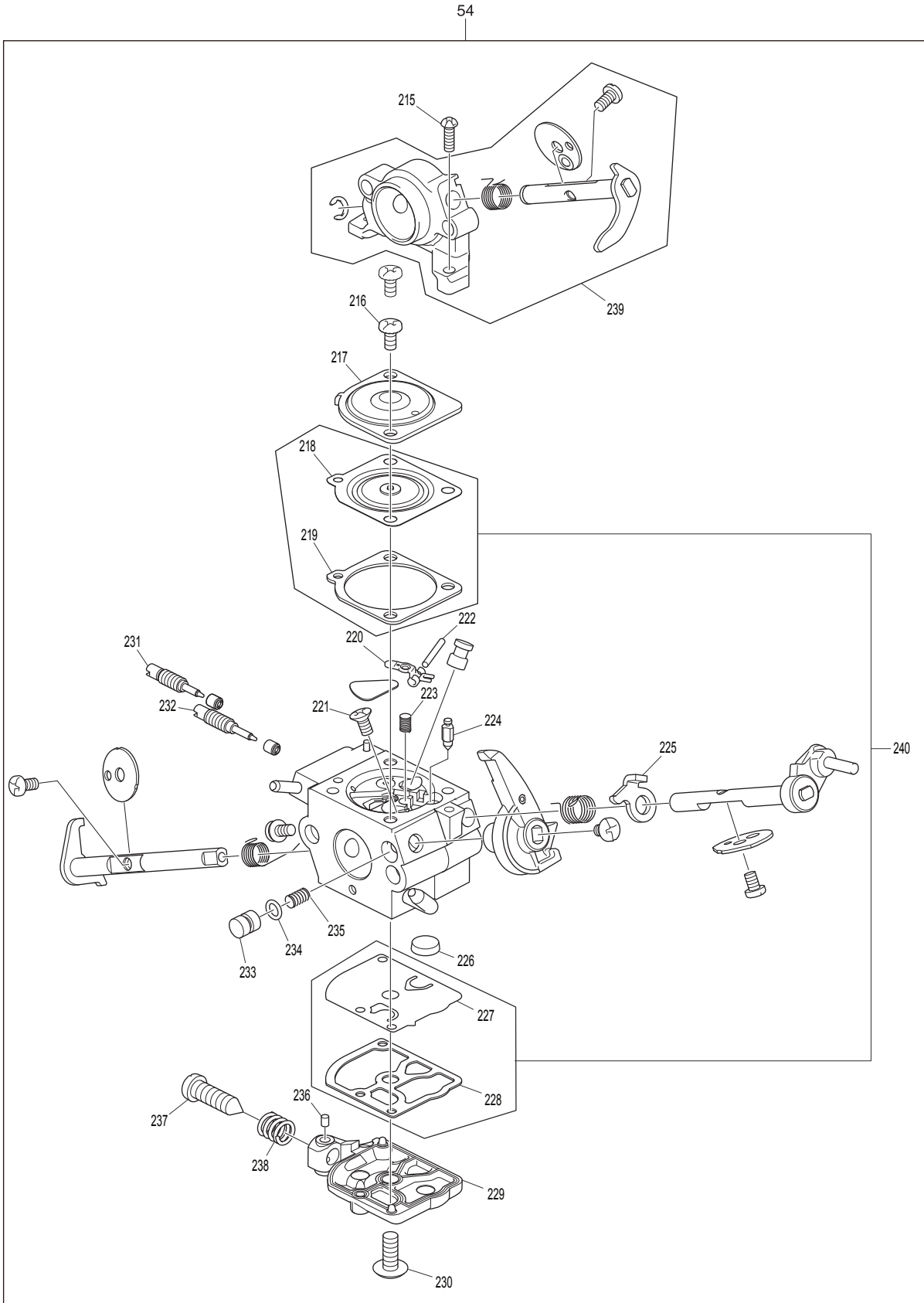
Products with multiple versions are listed in subsiding order with the newest version on top not indented.

Section	Fig. No.	Part No.	Description	EA3601FRDB	Tech Bulletin	Notes
4	156	143383-6	BRAKE BAND COMPLETE	1		
4	157	266855-5	H.L. TAPPING SCREW 4X12	2		
4	158	456615-5	CHAIN COVER	1		
4	159	454519-5	NUT COVER	1		
4	160	142235-8	NUT COMPLETE	1		
4	161	142288-7	WHEEL COMPLETE	1		
4		213011-8	O RING 7	1		INC WITH FIG 161



Products with multiple versions are listed in subsiding order with the newest version on top not indented.

Section	Fig. No.	Part No.	Description	EA3601FRDB	Tech Bulletin	Notes
5	30	424573-3	DUST GROMMET	1		
5	123	421298-0	CHECK VALVE	1		
5	170	142351-6	FRONT GUARD COMPLETE	1		
5	171	266857-1	H.L. TAPPING SCREW 5X16	1		
5	172	346697-4	HOLDER	1		
5	173	346697-4	HOLDER	1		
5	174	266857-1	H.L. TAPPING SCREW 5X16	1		
5	175	266856-3	H.L. TAPPING SCREW 5X20	4		
5	177	126352-2	RECOIL STARTER ASSEMBLY	1		INC. 178-185
5	178	454522-6	STARTER GRIP	1		
5	179	142238-2	STARTER CASE COMPLETE	1		
5	180	SG00000020	SPRING ASSEMBLY	1		
5	181	SG00000025	STARTER ROPE	1		
5	182	454523-4	REEL	1		
5	183	SG00000023	DAMPER SPRING	1		
5	184	454524-2	RATCHET WHEEL	1		
5	185	266777-9	TAPPING SCREW 5X12	1		
5	186	142213-8	FAN COVER COMPLETE	1		
5	187	264094-1	HEX.NUT M8-12 WITH CW	1		
5	188	142236-6	FLYWHEEL COMPLETE	1		INC. 189-191
5	189	266866-0	H.L.SOCKET HEAD BOLT M5X12	2		
5	190	346703-5	RATCHET	2		
5	191	233609-5	TORSION SPRING 15	2		
5	192	266856-3	H.L. TAPPING SCREW 5X20	1		
5	193	454493-7	AIR GUIDE PLATE	1		
5	194	266855-5	H.L. TAPPING SCREW 4X12	1		
5	195	424574-1	DUMPER STOPPER	1		
5	196	168508-1	TANK CAP COMPLETE	1		INC. 202
5	197	266854-7	H.L. BIND BOLT M5X14	2		
5	198	135661-8	ENGINE CASE ASS'Y	1		INC. 123
5	199	234210-9	COMPRESSION SPRING 6	1		
5	200	313212-9	HAND GUARD GUIDE	1		
5	201	266856-3	H.L. TAPPING SCREW 5X20	1		
5	202	963-225-030	O-RING 25	1		
5	202	213355-6	O-RING 25	1		

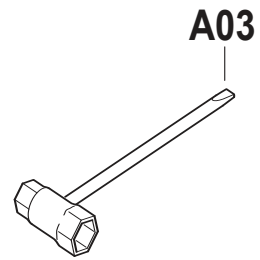
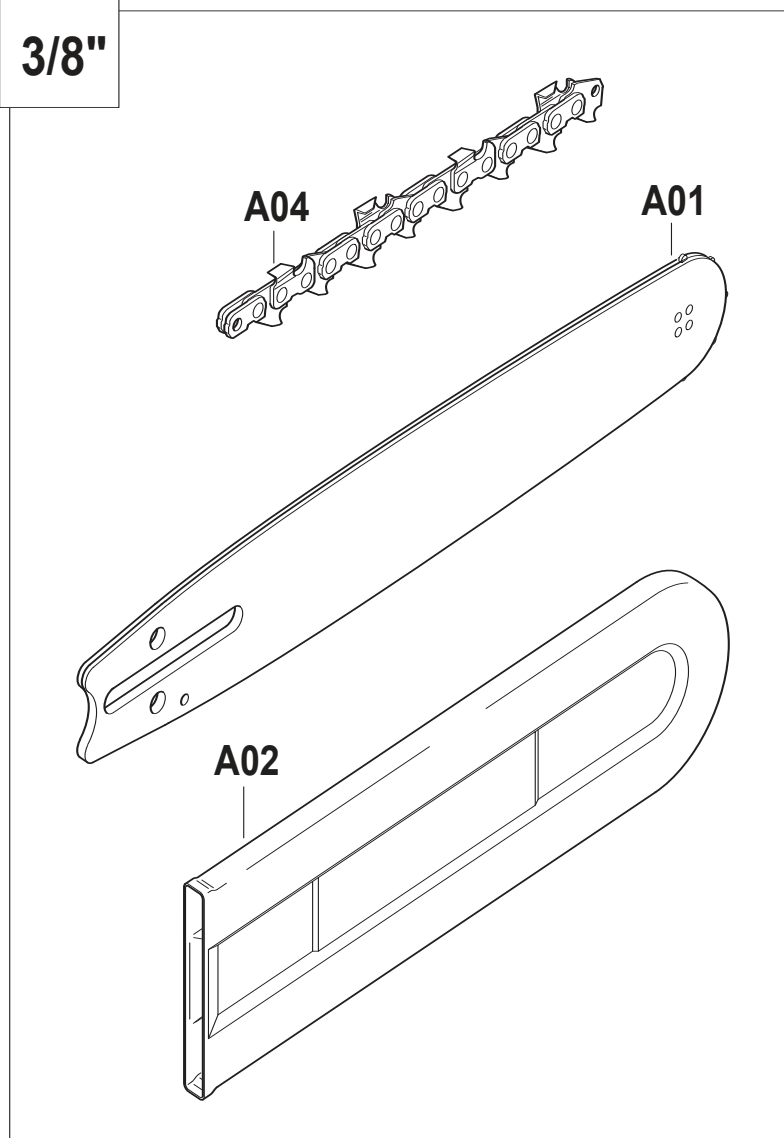


Products with multiple versions are listed in subsiding order with the newest version on top not indented.

Section	Fig. No.	Part No.	Description	EA3601FRDB	Tech Bulletin	Notes
6	54	168819-4	CARBURETOR ASSEMBLY	1		INC. 215-239
6	215	ZJ00000063	SCREW	1		
6	216	ZJ00000014	SCREW (WITH SERRATION)	2		
6	217	ZJ00000055	COVER, METERING	1		
6	218	ZJ00000058	DIAPHRAGM ASS'Y, METERING	1		
6	219	ZJ00000011	GASKET,METERING CHAMBER	1		
6	220	ZJ00000006	LEVER	1		
6	221	ZJ00000009	SCREW (METERING LEVER PIN)	1		
6	222	ZJ00000008	PIN	1		
6	223	ZJ00000010	SPRING, METERING LEVER	1		
6	224	ZJ00000007	VALVE, INLET NEEDLE	1		
6	225	ZJ00000048	LEVER,CHOKE	1		
6	226	ZJ00000003	STRAINER	1		
6	227	ZJ00000029	DIAPHRAGM, PUMP	1		
6	228	ZJ00000016	GASKET, PUMP	1		
6	229	ZJ00000056	COVER, PUMP	1		
6	230	ZJ00000020	SCREW (PUMP COVER)	1		
6	231	ZJ00000051	SCREW, MAIN MIXTURE	1		
6	232	ZJ00000050	SCREW, IDLE MIXTURE	1		
6	233	ZJ00000074	PLUNGER	1		
6	234	ZJ00000054	O-RING	1		
6	235	ZJ00000073	SPRING	1		
6	236	ZJ00000062	PIECE, FRICTION	1		DISCONTINUED NLA
6	237	ZJ00000061	SCREW, THROTTLE ADJUST	1		
6	238	ZJ00000068	SPRING, ADJUST SCREW	1		
6	239	ZJ00000075	AIR HEAD KIT	1		
6	240	ZJ00000076	GASKET AND DIAPHRAGM KIT	1		INC. 218,219,227,228



3/8"



Products with multiple versions are listed in subsiding order with the newest version on top not indented.

Section	Fig. No.	Part No.	Description	EA3601FRDB	Tech Bulletin	Notes
7	A01	E-00103	GUIDE BAR 16"	1		
7	A02	419560-5	CHAIN PROTECTION COVER	1		
7	A03	782027-9	BOX WRENCH	1		
7	A04	E-00256	SAW CHAIN 16"	1		