

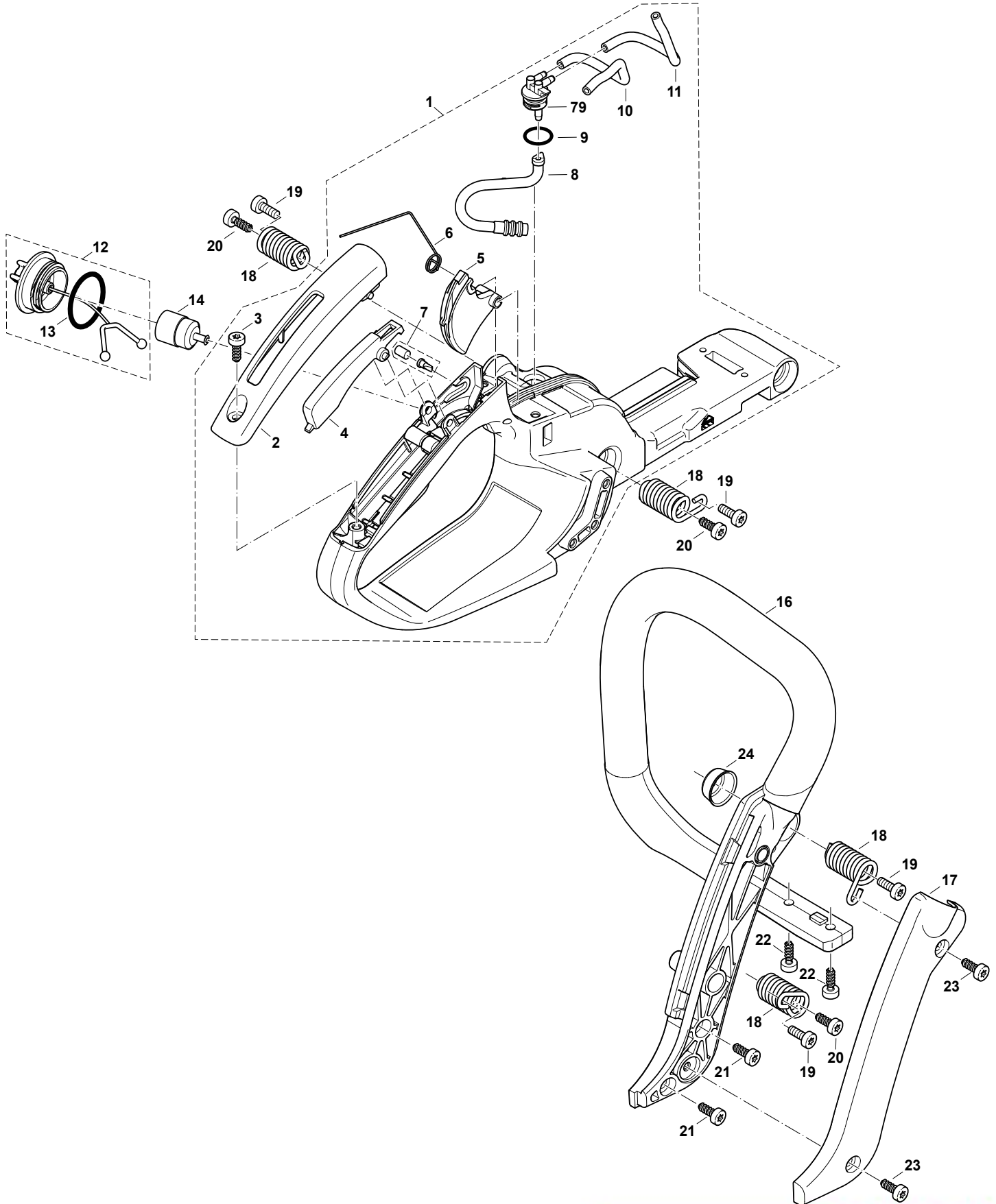


PARTS BREAKDOWN

EA4300F40B (Makita Teal)

EA4300FR (Makita Red)

PS-421 (Dolmar Red)

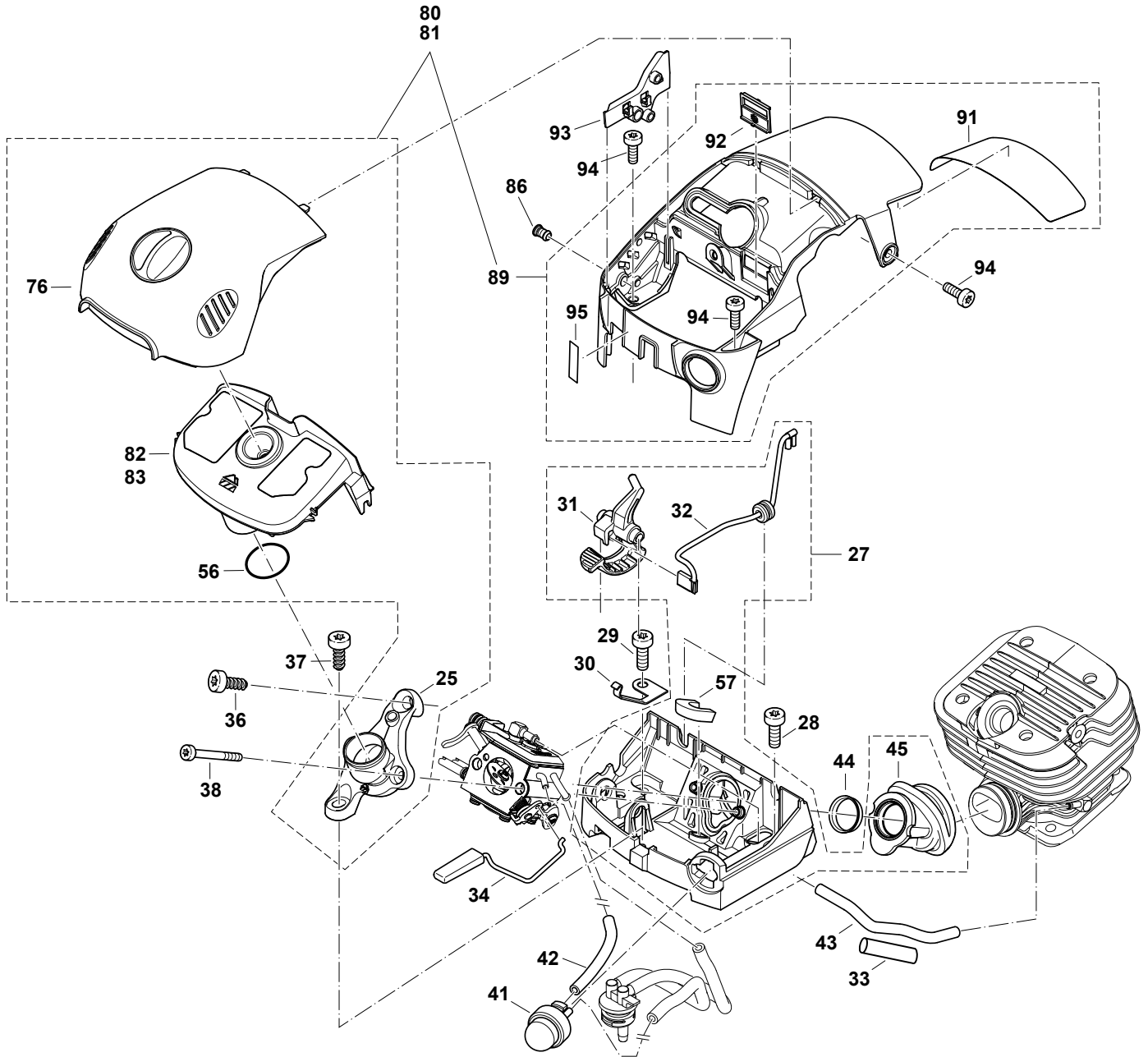


Products with multiple versions are listed in subsiding order with the newest version on top not indented.

| Section | Fig. No. | Part No. | Description | EA4300F40B | EA4300FR | PS-421 | Tech Bulletin | Notes |
|---------|----------|-------------|------------------|------------|----------|--------|---------------|------------------------------------|
| 1 | 1 | 195-114-650 | TANK CPL. BLUE | 1 | | | | |
| 1 | 1 | 195-114-180 | TANK CPL. RED | | 1 | 1 | | |
| 1 | 2 | 456143-0 | GRIP OUTER SHELL | 1 | 1 | 1 | | |
| 1 | 2 | 195-117-050 | GRIP OUTER SHELL | 1 | 1 | 1 | | |
| 1 | 3 | 266478-9 | SCREW | 1 | 1 | 1 | | |
| 1 | 3 | 913-455-164 | SCREW | 1 | 1 | 1 | | |
| 1 | 4 | 456142-2 | CATCH LEVER | 1 | 1 | 1 | | |
| 1 | 4 | 195-117-030 | CATCH LEVER | 1 | 1 | 1 | | |
| 1 | 5 | 456141-4 | THROTTLE LEVER | 1 | 1 | 1 | | |
| 1 | 5 | 195-117-020 | THROTTLE LEVER | 1 | 1 | 1 | | |
| 1 | 6 | 195-117-010 | SPRING | 1 | 1 | 1 | | |
| 1 | 7 | 195762-4 | AIR VALVE SET | 1 | 1 | 1 | | |
| 1 | 7 | 170-175-010 | AIR VALVE CPL. | 1 | | 1 | | |
| 1 | 8 | 424456-7 | FUEL LINE | 1 | 1 | 1 | | |
| 1 | 8 | 195-114-050 | FUEL LINE | 1 | | 1 | | |
| 1 | 9 | 213586-7 | O RING | 1 | 1 | 1 | | |
| 1 | 9 | 963-211-020 | O RING | 1 | | 1 | | |
| 1 | 10 | 965-452-090 | TUBE | 1 | | 1 | | 2,5/5,5mm X1M L=118mm |
| 1 | 11 | 965-452-660 | TUBE | 1 | 1 | 1 | | 5,6x3mmX1M EPA CODE, RED L=93mm |
| 1 | 12 | 181-114-202 | TANK CAP CPL. | 1 | 1 | 1 | | |
| 1 | 13 | 213080-9 | PACKING RING | 2 | 2 | 2 | | |
| 1 | 13 | 963-229-036 | PACKING RING | 2 | | 2 | | |
| 1 | 14 | 163447-0 | FUEL FILTER | 1 | 1 | 1 | | |
| 1 | 14 | 320-163-447 | FUEL FILTER | 1 | 1 | 1 | | |
| 1 | 16 | 456140-6 | TUBULAR HANDLE | 1 | 1 | 1 | | |
| 1 | 16 | 195-310-010 | TUBULAR HANDLE | 1 | 1 | 1 | | |
| 1 | 17 | 456154-5 | COVER, BLACK | | 1 | | | |
| 1 | 17 | 456151-1 | COVER, BLUE | 1 | | | | |
| 1 | 17 | 195-310-651 | COVER, BLUE | 1 | | | | |
| 1 | 17 | 195-310-051 | COVER, RED | | | 1 | | |
| 1 | 18 | 234189-4 | SPRING | 1 | 1 | 1 | | |
| 1 | 18 | 165-114-150 | SPRING | 1 | | 1 | | |
| 1 | 18 | 195-114-150 | SPRING | 4 | | 4 | | |

Products with multiple versions are listed in subsiding order with the newest version on top not indented.

| Section | Fig. No. | Part No. | Description | EA4300F40B | EA4300FR | PS-421 | Tech Bulletin | Notes |
|---------|----------|-------------|-----------------------|------------|----------|--------|---------------|-------|
| 1 | 19 | 266605-8 | H.L. SOCKET HEAD BOLT | 4 | 4 | 4 | | |
| 1 | 19 | 908-005-165 | H.L. SOCKET HEAD BOLT | 4 | 4 | 4 | | |
| 1 | 20 | 266478-9 | SCREW | 3 | 3 | 3 | | |
| 1 | 20 | 913-455-164 | SCREW | 3 | 3 | 3 | | |
| 1 | 21 | 266478-9 | SCREW | 2 | 2 | 2 | | |
| 1 | 21 | 913-455-164 | SCREW | 2 | 2 | 2 | | |
| 1 | 22 | 266478-9 | SCREW | 2 | 2 | 2 | | |
| 1 | 22 | 913-455-164 | SCREW | 2 | 2 | 2 | | |
| 1 | 23 | 266478-9 | SCREW | 2 | 2 | 2 | | |
| 1 | 23 | 913-455-164 | SCREW | 2 | 2 | 2 | | |
| 1 | 24 | 346517-2 | SPRING GUIDING HEAD | 1 | 1 | 1 | | |
| 1 | 24 | 195-114-160 | SPRING GUIDING HEAD | 1 | | 1 | | |
| 1 | 79 | 195-114-060 | FUEL NIPPLE | 1 | 1 | 1 | | |

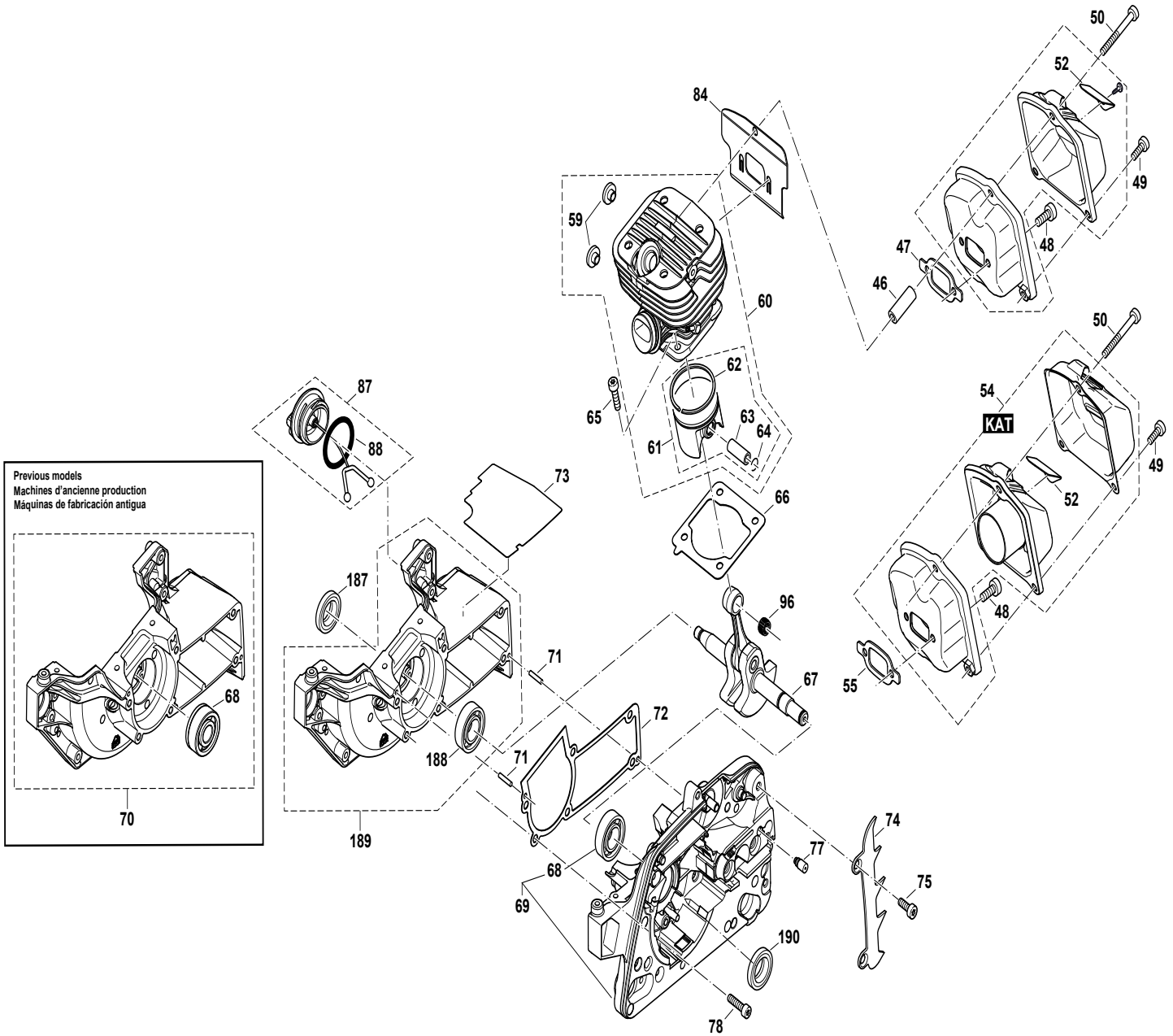


Products with multiple versions are listed in subsiding order with the newest version on top not indented.

| Section | Fig. No. | Part No. | Description | EA4300F40B | EA4300FR | PS-421 | Tech Bulletin | Notes |
|---------|----------|-------------|-----------------------|------------|----------|--------|---------------|----------------------|
| 2 | 25 | 459832-6 | CONNECTING MUFF | 1 | 1 | 1 | | |
| 2 | 25 | 456135-9 | CONNECTING MUFF | 1 | 1 | 1 | | |
| 2 | 25 | 195-171-020 | CONNECTING MUFF | 1 | 1 | 1 | | |
| 2 | 27 | 195-131-301 | BOTTOM CPL. | 1 | 1 | 1 | | |
| 2 | 28 | 266605-8 | H.L. SOCKET HEAD BOLT | 2 | 2 | 2 | | |
| 2 | 28 | 908-005-165 | H.L. SOCKET HEAD BOLT | 2 | 2 | 2 | | |
| 2 | 29 | 266605-8 | H.L. SOCKET HEAD BOLT | 2 | 2 | 2 | | |
| 2 | 29 | 908-005-165 | H.L. SOCKET HEAD BOLT | 2 | 2 | 2 | | |
| 2 | 30 | 346926-5 | CONTACT SPRING | 1 | 1 | 1 | | |
| 2 | 30 | 195-155-050 | CONTACT SPRING | 1 | 1 | 1 | | |
| 2 | 31 | 456139-1 | CHOKE LEVER | 1 | 1 | 1 | | |
| 2 | 31 | 195-155-021 | CHOKE LEVER | 1 | 1 | 1 | | |
| 2 | 32 | 195-147-010 | IGNITION CABLE | 1 | 1 | 1 | | |
| 2 | 33 | 970-502-120 | ISOLATING HOSE | M | M | M | | |
| 2 | 33 | 970-502-110 | ISOLATING HOSE | M | M | M | | |
| 2 | 34 | 143330-7 | THROTTLE LINKAGE CPL. | 1 | 1 | 1 | | |
| 2 | 34 | 195-117-110 | THROTTLE LINKAGE CPL. | 1 | 1 | 1 | | |
| 2 | 36 | 266478-9 | SCREW | 1 | 1 | 1 | | |
| 2 | 36 | 913-455-164 | SCREW | 1 | 1 | 1 | | |
| 2 | 37 | 266478-9 | SCREW | 1 | 1 | 1 | | |
| 2 | 37 | 913-455-164 | SCREW | 1 | 1 | 1 | | |
| 2 | 38 | 908-004-406 | SCREW | 2 | 2 | 2 | | |
| 2 | 38 | 908-004-405 | SCREW | 2 | | 2 | | |
| 2 | 41 | 168398-2 | PRIMER | 1 | 1 | 1 | | |
| 2 | 41 | 010-155-011 | PRIMER | 1 | 1 | 1 | | |
| 2 | 41 | 010-155-010 | PRIMER | 1 | | 1 | | |
| 2 | 42 | 965-452-090 | TUBE | 1 | | 1 | | |
| 2 | 43 | 965-452-090 | TUBE | 1 | | 1 | | 2,5/5,5mm X1M L=95mm |
| 2 | 44 | 346413-4 | INSERT | 1 | 1 | 1 | | |
| 2 | 44 | 185-131-020 | INSERT | 1 | 1 | 1 | | |
| 2 | 44 | 181-131-021 | INSERT | 1 | | 1 | | |
| 2 | 45 | 424753-1 | SUCTION HOSE | 1 | 1 | 1 | | |
| 2 | 45 | 195-131-040 | SUCTION HOSE | 1 | 1 | 1 | | |

Products with multiple versions are listed in subsiding order with the newest version on top not indented.

| Section | Fig. No. | Part No. | Description | EA4300F40B | EA4300FR | PS-421 | Tech Bulletin | Notes |
|---------|----------|-------------|-----------------------|------------|----------|--------|---------------|--------|
| 2 | 56 | 213085-9 | O RING | 1 | 1 | 1 | | |
| 2 | 56 | 963-220-013 | O RING | 1 | 1 | 1 | | |
| 2 | 57 | 195-131-090 | PACKING RING | 1 | 1 | 1 | | |
| 2 | 76 | 195-118-550 | COVER BLACK | 1 | 1 | 1 | | |
| 2 | 80 | 195-173-210 | FILTER-SET | 1 | 1 | 1 | | Nylon |
| 2 | 81 | 195-173-220 | FILTER-SET | 1 | 1 | 1 | | Fleece |
| 2 | 82 | 123453-7 | AIR FILTER CPL. | 1 | 1 | 1 | | |
| 2 | 82 | 195-173-150 | AIR FILTER CPL. | 1 | 1 | 1 | | |
| 2 | 83 | 123452-9 | AIR FILTER CPL. | 1 | 1 | 1 | | |
| 2 | 83 | 195-173-050 | AIR FILTER CPL. | 1 | 1 | 1 | | Nylon |
| 2 | 86 | 195-151-300 | PLUG | 1 | 1 | 1 | | |
| 2 | 89 | 161368-0 | HOOD CPL. BLACK | 1 | 1 | 1 | | |
| 2 | 89 | 195-118-694 | HOOD CPL. BLACK | 1 | 1 | 1 | | |
| 2 | 91 | 195-118-080 | PROTECTION FILM | 1 | 1 | 1 | | |
| 2 | 92 | 195-118-141 | INSERT | 1 | 1 | 1 | | |
| 2 | 92 | 195-118-140 | INSERT | 1 | | 1 | | |
| 2 | 93 | 456138-3 | GUIDE | 1 | 1 | 1 | | |
| 2 | 93 | 195-155-031 | GUIDE | 1 | 1 | 1 | | |
| 2 | 94 | 266605-8 | H.L. SOCKET HEAD BOLT | 3 | 3 | 3 | | |
| 2 | 94 | 908-005-165 | H.L. SOCKET HEAD BOLT | 3 | 3 | 3 | | |
| 2 | 95 | 980-114-928 | LABEL | 1 | 1 | 1 | | |



Products with multiple versions are listed in subsiding order with the newest version on top not indented.

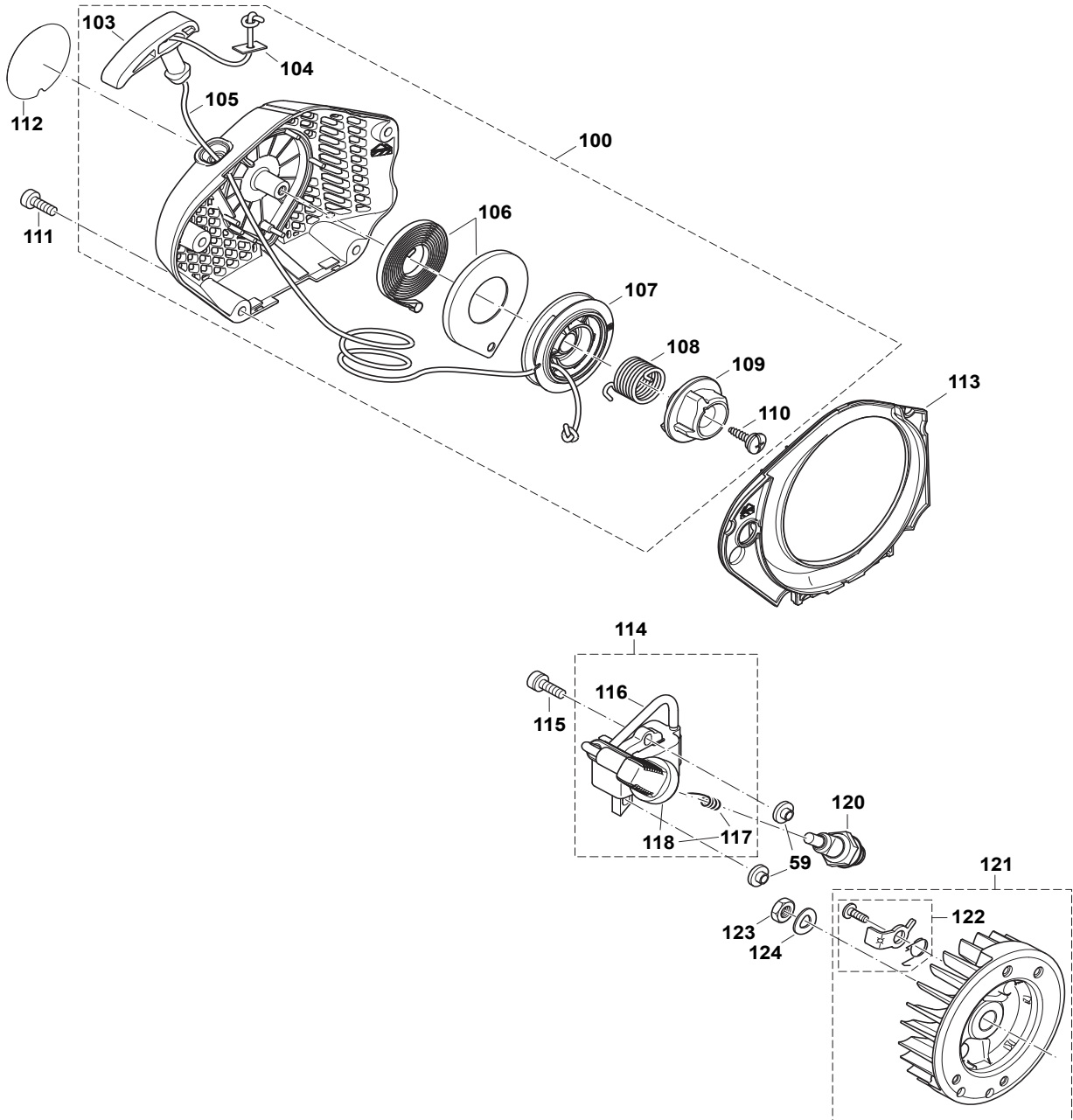
| Section | Fig. No. | Part No. | Description | EA4300F40B | EA4300FR | PS-421 | Tech Bulletin | Notes |
|---------|----------|-------------|------------------------|------------|----------|--------|---------------|-------|
| 3 | 46 | 325939-9 | CONNECTING LINK | 1 | 1 | 1 | | |
| 3 | 46 | 326675-0 | CONNECTING LINK | 1 | 1 | 1 | | |
| 3 | 46 | 038-174-030 | CONNECTING LINK | 1 | 1 | 1 | | |
| 3 | 48 | 266605-8 | H.L. SOCKET HEAD BOLT | 2 | 2 | 2 | | |
| 3 | 48 | 908-005-165 | H.L. SOCKET HEAD BOLT | 2 | 2 | 2 | | |
| 3 | 49 | 266612-1 | SCREW | 2 | 2 | 2 | | |
| 3 | 49 | 909-005-105 | SCREW | 2 | 2 | 2 | | |
| 3 | 50 | 266606-6 | H.L. SOCKET HEAD BOLT | 1 | 1 | 1 | | |
| 3 | 50 | 908-305-405 | H.L. SOCKET HEAD BOLT | 1 | 1 | 1 | | |
| 3 | 52 | 195-174-280 | SPARK ARRESTER SCREEN | 1 | 1 | 1 | | |
| 3 | 54 | 195-174-550 | MUFFLER | 1 | 1 | 1 | | |
| 3 | 55 | 346304-9 | GASKET | 1 | 1 | 1 | | |
| 3 | 55 | 165-174-060 | GASKET | 1 | 1 | 1 | | |
| 3 | 55 | 195-174-060 | GASKET | 1 | 1 | 1 | | |
| 3 | 59 | 451462-9 | ISOLATING WASHER | 2 | 2 | 2 | | |
| 3 | 59 | 195-143-031 | ISOLATING WASHER | 2 | 2 | 2 | | |
| 3 | 59 | 195-143-030 | ISOLATING WASHER | 2 | | 2 | | |
| 3 | 60 | 183L41-4 | CYLINDER / PISTON CPL. | 1 | 1 | 1 | C6111 | |
| 3 | 60 | 195-131-202 | CYLINDER / PISTON CPL. | 1 | 1 | 1 | | |
| 3 | 61 | 957-132-020 | PISTON CPL. | 1 | 1 | 1 | | |
| 3 | 61 | 195-132-100 | PISTON CPL. | 1 | | 1 | | |
| 3 | 62 | 195-132-120 | PISTON RING | 1 | 1 | 1 | | |
| 3 | 62 | 195-132-020 | PISTON RING | 1 | 1 | 1 | | |
| 3 | 63 | 195-132-030 | PISTON PIN | 1 | 1 | 1 | | |
| 3 | 64 | 195-132-050 | SPRING RING | 2 | 2 | 2 | | |
| 3 | 65 | 266960-8 | H.L. SOCKET HEAD BOLT | 4 | 4 | 4 | | |
| 3 | 65 | 908-405-205 | H.L. SOCKET HEAD BOLT | 4 | 4 | 4 | | |
| 3 | 66 | 346925-7 | GASKET | 1 | 1 | 1 | | |
| 3 | 66 | 195-131-130 | GASKET | 1 | 1 | 1 | | |
| 3 | 67 | 140H65-9 | CRANKSHAFT CPL. | 1 | 1 | 1 | C6111 | |
| 3 | 67 | 143329-2 | CRANKSHAFT CPL. | 1 | 1 | 1 | | |
| 3 | 67 | 195-120-300 | CRANKSHAFT CPL. | 1 | 1 | 1 | | |

Products with multiple versions are listed in subsiding order with the newest version on top not indented.

| Section | Fig. No. | Part No. | Description | EA4300F40B | EA4300FR | PS-421 | Tech Bulletin | Notes |
|---------|----------|-------------|--------------------------|------------|----------|--------|---------------|-------------------------------------|
| 3 | 68 | 211341-1 | BALL BEARING | 1 | 1 | 1 | | New Seal Part Number is 213141-5 |
| 3 | 68 | 211494-6 | BALL BEARING | 1 | 1 | 1 | | |
| 3 | 68 | 960-102-131 | BALL BEARING | 1 | 1 | 1 | | |
| 3 | 68 | 960-123-129 | COMBINATION BALL BEARING | 2 | 2 | 2 | C2572 | |
| 3 | 69 | 195-111-631 | CRANKC. CL. SIDE BLUE | 1 | | | | |
| 3 | 69 | 195-111-612 | CRANKC. CL. SIDE BLUE | 1 | | | | |
| 3 | 69 | 144395-2 | CRANKC. CL. SIDE RED | | 1 | 1 | C2572 | 1-2019> |
| 3 | 69 | 195-111-131 | CRANKC. CL. SIDE RED | | 1 | 1 | | >12-2018 |
| 3 | 69 | 195-111-112 | CRANKC. CL. SIDE RED | | 1 | 1 | | |
| 3 | 70 | 195-111-662 | CRANKC. M. SIDE BLUE | 1 | | | | |
| 3 | 70 | 195-111-622 | CRANKC. M. SIDE BLUE | 1 | | | | |
| 3 | 70 | 195-111-162 | CRANKCASE MAGN. SIDE RED | | | 1 | | |
| 3 | 70 | 195-111-161 | CRANKCASE MAGN. SIDE RED | | | 1 | | |
| 3 | 70 | 195-111-151 | CRANKCASE MAGN. SIDE RED | | | 1 | | |
| 3 | 71 | 936-430-160 | CLAMPING PIN | 2 | 2 | 2 | | |
| 3 | 72 | 195-111-065 | GASKET | 1 | 1 | 1 | | |
| 3 | 72 | 195-111-061 | GASKET | 1 | 1 | 1 | | |
| 3 | 73 | 346928-1 | PROTECTION FILM | 1 | 1 | 1 | | |
| 3 | 73 | 195-111-080 | PROTECTION FILM | 1 | 1 | 1 | | |
| 3 | 74 | 346301-5 | SPIKE BAR | 1 | 1 | 1 | | |
| 3 | 74 | 165-250-010 | SPIKE BAR | 1 | | 1 | | |
| 3 | 75 | 266605-8 | H.L. SOCKET HEAD BOLT | 2 | 2 | 2 | | |
| 3 | 75 | 908-005-165 | H.L. SOCKET HEAD BOLT | 2 | | 2 | | |
| 3 | 77 | 168504-9 | VENT VALVE | 1 | 1 | 1 | | |
| 3 | 77 | 010-245-030 | VENT VALVE | 1 | | 1 | | |
| 3 | 78 | 266960-8 | H.L. SOCKET HEAD BOLT | 6 | 6 | 6 | | |
| 3 | 78 | 908-405-205 | H.L. SOCKET HEAD BOLT | 6 | 6 | 6 | | |
| 3 | 84 | 347438-1 | COOLING PLATE | 1 | 1 | 1 | C6111 | |
| 3 | 87 | 181-114-202 | TANK CAP CPL. | 1 | 1 | 1 | | |
| 3 | 88 | 213080-9 | PACKING RING | 2 | 2 | 2 | | |
| 3 | 88 | 963-229-036 | PACKING RING | 2 | | 2 | | |
| 3 | 96 | 962-210-092 | NEEDLE CAGE | 1 | 1 | 1 | | |

Products with multiple versions are listed in subsiding order with the newest version on top not indented.

| Section | Fig. No. | Part No. | Description | EA4300F40B | EA4300FR | PS-421 | Tech Bulletin | Notes |
|---------|----------|-------------|---------------------------|------------|----------|--------|---------------|-------|
| 3 | 96 | 962-211-007 | NEEDLE CAGE | 1 | 1 | 1 | | |
| 3 | 187 | 213141-5 | RADIAL RING | 1 | 1 | 1 | | |
| 3 | 187 | 962-900-156 | RADIAL RING | 1 | 1 | 1 | | |
| 3 | 188 | 211341-1 | BALL BEARING | 1 | 1 | 1 | | |
| 3 | 189 | 144396-0 | CRANKCASE MS COMPLETE RED | | 1 | 1 | C2572 | |
| 3 | 189 | 143336-5 | CRANKCASE MS COMPLETE RED | | 1 | 1 | | |
| 3 | 190 | 213141-5 | RADIAL RING | 1 | 1 | 1 | | |
| 3 | 190 | 962-900-156 | RADIAL RING | 1 | 1 | 1 | | |

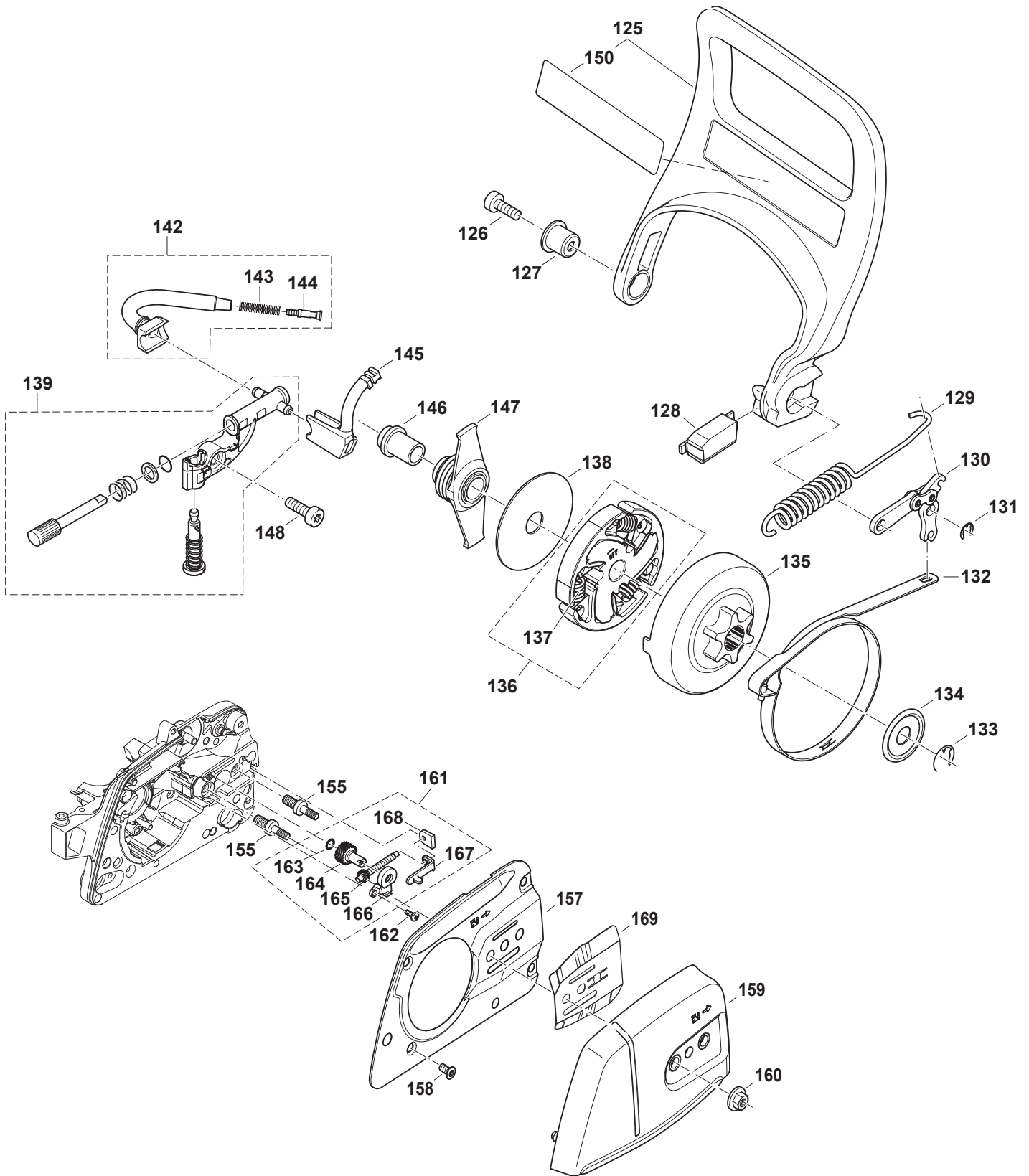


Products with multiple versions are listed in subsiding order with the newest version on top not indented.

| Section | Fig. No. | Part No. | Description | EA4300F40B | EA4300FR | PS-421 | Tech Bulletin | Notes |
|---------|----------|-------------|-----------------------|------------|----------|--------|---------------|-------|
| 4 | 59 | 451462-9 | ISOLATING WASHER | 2 | 2 | 2 | | |
| 4 | 59 | 195-143-031 | ISOLATING WASHER | 2 | 2 | 2 | | |
| 4 | 59 | 195-143-030 | ISOLATING WASHER | 2 | 2 | 2 | | |
| 4 | 100 | 195-160-601 | STARTER ASSY. BLUE | 1 | | | | |
| 4 | 100 | 195-160-600 | STARTER ASSY. BLUE | 1 | | | | |
| 4 | 100 | 161366-4 | STARTER ASSY. RED | | 1 | 1 | | |
| 4 | 100 | 195-160-101 | STARTER ASSY. RED | | 1 | 1 | | |
| 4 | 100 | 195-160-100 | STARTER ASSY. RED | | 1 | 1 | | |
| 4 | 103 | 453783-5 | STARTER GRIP | 1 | 1 | 1 | | |
| 4 | 103 | 195-160-070 | STARTER GRIP | 1 | | 1 | | |
| 4 | 104 | 267847-7 | WASHER | 1 | 1 | 1 | | |
| 4 | 104 | 195-160-080 | WASHER | 1 | | 1 | | |
| 4 | 105 | 444038-9 | STARTER ROPE 900mm | 1 | 1 | 1 | | |
| 4 | 105 | 021-164-010 | STARTER ROPE 900mm | 1 | 1 | 1 | | |
| 4 | 106 | 195955-3 | REWIND SPRING | 1 | 1 | 1 | | |
| 4 | 106 | 195-160-110 | REWIND SPRING | 1 | | 1 | | |
| 4 | 107 | 455919-2 | CABLE DRUM CPL. | 1 | 1 | 1 | | |
| 4 | 107 | 453785-1 | CABLE DRUM CPL. | 1 | 1 | 1 | | |
| 4 | 107 | 195-160-040 | CABLE DRUM CPL. | 1 | | 1 | | |
| 4 | 108 | 234253-1 | SPRING | 1 | 1 | 1 | | |
| 4 | 108 | 195-160-030 | SPRING | 1 | 1 | 1 | | |
| 4 | 109 | 195-160-020 | STARTER WHEEL | 1 | 1 | 1 | | |
| 4 | 110 | 266777-9 | SCREW | 1 | 1 | 1 | | |
| 4 | 110 | 195-160-010 | SCREW | 1 | | 1 | | |
| 4 | 111 | 266605-8 | H.L. SOCKET HEAD BOLT | 4 | 4 | 4 | | |
| 4 | 111 | 908-005-165 | H.L. SOCKET HEAD BOLT | 4 | 4 | 4 | | |
| 4 | 113 | 456137-5 | AIR GUIDE PLATE | 1 | 1 | 1 | | |
| 4 | 113 | 195-118-040 | AIR GUIDE PLATE | 1 | 1 | 1 | | |
| 4 | 114 | 161357-5 | IGNITION COIL CPL. | 1 | 1 | 1 | | |
| 4 | 114 | 195-143-202 | IGNITION COIL CPL. | 1 | 1 | 1 | | |
| 4 | 114 | 195-143-200 | IGNITION COIL CPL. | 1 | 1 | 1 | | |
| 4 | 115 | 266472-1 | SCREW | 2 | 2 | 2 | | |
| 4 | 115 | 908-805-205 | SCREW | 2 | 2 | 2 | | |

Products with multiple versions are listed in subsiding order with the newest version on top not indented.

| Section | Fig. No. | Part No. | Description | EA4300F40B | EA4300FR | PS-421 | Tech Bulletin | Notes |
|---------|----------|-------------|----------------------|------------|----------|--------|---------------|----------------|
| 4 | 116 | 970-502-120 | ISOLATING HOSE | 1 | 1 | 1 | | |
| 4 | 116 | 970-502-110 | ISOLATING HOSE | 1 | 1 | 1 | | |
| 4 | 117 | 234358-7 | SPRING | 1 | 1 | 1 | | |
| 4 | 117 | 965-604-180 | SPRING | 1 | 1 | 1 | | |
| 4 | 118 | 957-604-220 | PLUG CAP CPL. | 1 | 1 | 1 | | |
| 4 | 120 | 168599-2 | SPARK PLUG | 1 | 1 | 1 | | NGK CMR7A .020 |
| 4 | 120 | 965-603-040 | SPARK PLUG | 1 | | 1 | | |
| 4 | 121 | 143331-5 | FLYWHEEL CPL. | 1 | 1 | 1 | | |
| 4 | 121 | 181-141-105 | FLYWHEEL CPL. | 1 | 1 | 1 | | |
| 4 | 121 | 185-141-100 | FLYWHEEL CPL. | 1 | | 1 | | |
| 4 | 121 | 195-141-103 | FLYWHEEL CPL. | 1 | | 1 | | |
| 4 | 122 | 181-166-100 | STARTER RATCHET CPL. | 2 | 2 | 2 | | |
| 4 | 122 | 185-166-100 | STARTER RATCHET CPL. | 2 | 2 | 2 | | |
| 4 | 122 | 195-166-100 | STARTER RATCHET CPL. | 2 | 2 | 2 | | |
| 4 | 123 | 264022-6 | HEXAGONAL NUT | 1 | 1 | 1 | | |
| 4 | 123 | 920-308-024 | HEXAGONAL NUT | 1 | | 1 | | |
| 4 | 124 | 267822-3 | SPRING WASHER | 1 | 1 | 1 | | |
| 4 | 124 | 926-208-001 | SPRING WASHER | 1 | | 1 | | |



Products with multiple versions are listed in subsiding order with the newest version on top not indented.

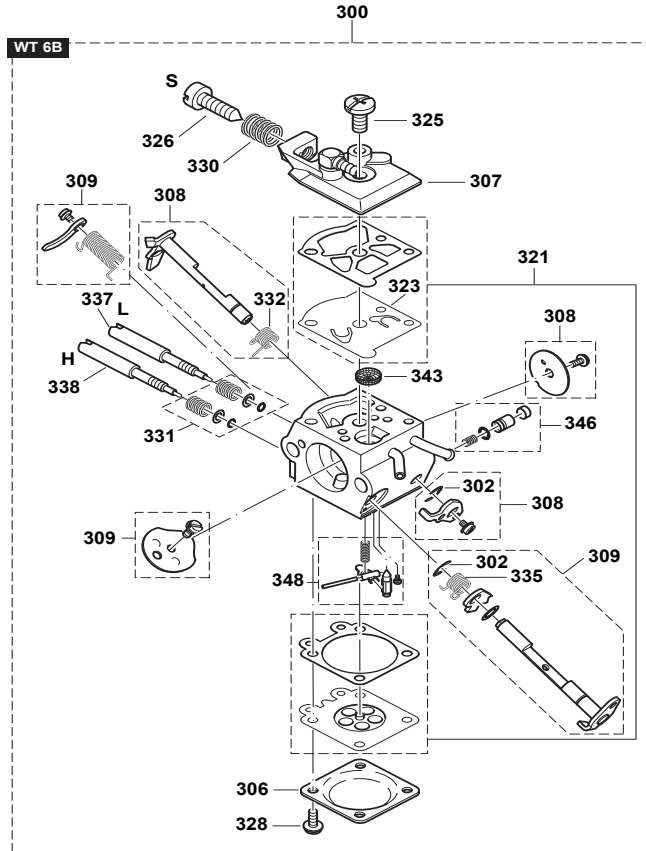
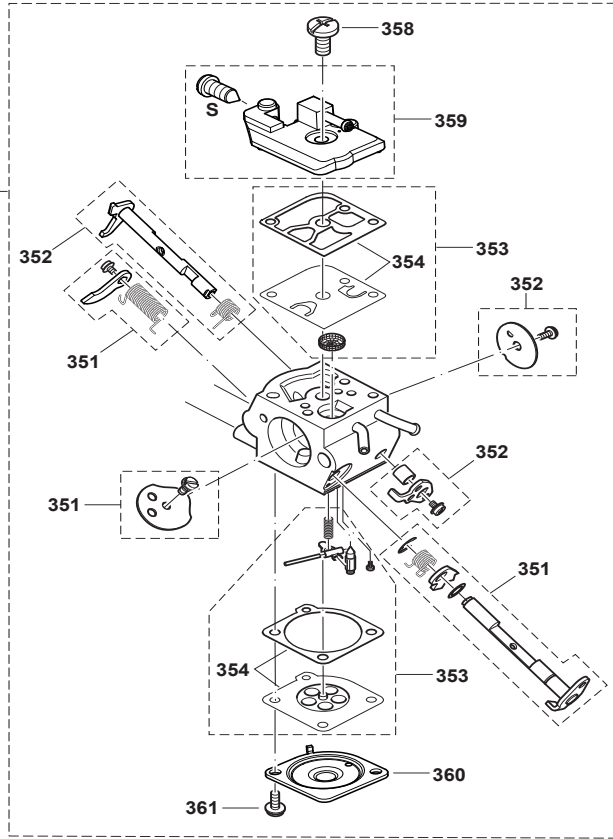
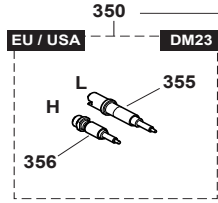
| Section | Fig. No. | Part No. | Description | EA4300F40B | EA4300FR | PS-421 | Tech Bulletin | Notes |
|---------|----------|-------------|-----------------------|------------|----------|--------|---------------|-------|
| 5 | 125 | 195-213-502 | HAND GUARD CPL. | 1 | 1 | 1 | | |
| 5 | 125 | 195-213-500 | HAND GUARD CPL. | 1 | 1 | 1 | | |
| 5 | 126 | 266605-8 | H.L. SOCKET HEAD BOLT | 1 | 1 | 1 | | |
| 5 | 126 | 908-005-165 | H.L. SOCKET HEAD BOLT | 1 | | 1 | | |
| 5 | 127 | 181-213-320 | BUSHING | 1 | 1 | 1 | | |
| 5 | 128 | 181-213-170 | HANDGUARD GUIDE, CPL. | 1 | 1 | 1 | | |
| 5 | 129 | 181-213-023 | TENSION SPRING | 1 | 1 | 1 | | |
| 5 | 129 | 181-213-022 | TENSION SPRING | 1 | 1 | 1 | | |
| 5 | 130 | 163500-2 | BRAKING MECHANISM | 1 | 1 | 1 | | |
| 5 | 130 | 181-213-100 | BRAKING MECHANISM | 1 | 1 | 1 | | |
| 5 | 131 | 961011-9 | SAFETY WASHER | 1 | 1 | 1 | | |
| 5 | 131 | 257934-0 | SAFETY WASHER | 1 | 1 | 1 | | |
| 5 | 131 | 927-304-000 | SAFETY WASHER | 1 | 1 | 1 | | |
| 5 | 132 | 346029-5 | BRAKE SPRING | 1 | 1 | 1 | | |
| 5 | 132 | 181-213-011 | BRAKE SPRING | 1 | 1 | 1 | | |
| 5 | 133 | 259045-7 | WASHER | 1 | 1 | 1 | | |
| 5 | 133 | 927-408-000 | WASHER | 1 | 1 | 1 | | |
| 5 | 134 | 267820-7 | DISC | 1 | 1 | 1 | | |
| 5 | 134 | 181-224-081 | DISC | 1 | 1 | 1 | | |
| 5 | 135 | 143339-9 | CLUTCH DRUM CPL | 1 | 1 | 1 | | |
| 5 | 135 | 195-223-312 | CLUTCH DRUM CPL | 1 | 1 | 1 | | |
| 5 | 135 | 195-223-311 | CLUTCH DRUM CPL. | 1 | | 1 | | 3/8" |
| 5 | 136 | 127443-2 | CLUTCH ASSY. | 1 | 1 | 1 | | |
| 5 | 136 | 181-180-300 | CLUTCH ASSY. | 1 | 1 | 1 | | |
| 5 | 136 | 175-180-101 | CLUTCH ASSY. | 1 | | 1 | | |
| 5 | 137 | 232352-3 | SPRING | 3 | | 3 | | |
| 5 | 137 | 181-184-020 | SPRING | 3 | | 3 | | |
| 5 | 137 | 024-184-021 | SPRING | 3 | 3 | 3 | | |
| 5 | 138 | 267389-1 | DISC | 1 | 1 | 1 | | |
| 5 | 138 | 001-182-042 | DISC | 1 | 1 | 1 | | |
| 5 | 139 | 161346-0 | OIL PUMP CPL. | 1 | 1 | 1 | | |
| 5 | 139 | 179-245-202 | OIL PUMP CPL. | 1 | | 1 | | |
| 5 | 139 | 179-245-201 | OIL PUMP CPL. | 1 | | 1 | | |

Products with multiple versions are listed in subsiding order with the newest version on top not indented.

| Section | Fig. No. | Part No. | Description | EA4300F40B | EA4300FR | PS-421 | Tech Bulletin | Notes |
|---------|----------|-------------|--------------------------|------------|----------|--------|---------------|-----------|
| 5 | 142 | 181-245-300 | SUCTION LINE | 1 | 1 | 1 | | |
| 5 | 142 | 181-245-100 | SUCTION LINE | 1 | 1 | 1 | | |
| 5 | 143 | 231975-4 | SPRING | 1 | 1 | 1 | | |
| 5 | 143 | 021-245-060 | SPRING | 1 | | 1 | | |
| 5 | 144 | 001-245-020 | HOSE STEM | 1 | 1 | 1 | | |
| 5 | 145 | 424178-9 | PRESSURE LINE | 1 | 1 | 1 | | |
| 5 | 145 | 181-245-120 | PRESSURE LINE | 1 | 1 | 1 | | |
| 5 | 146 | 195-245-010 | BUSHING | 1 | 1 | 1 | | |
| 5 | 147 | 450956-1 | PUMP DRIVE | 1 | 1 | 1 | | |
| 5 | 147 | 181-245-090 | PUMP DRIVE | 1 | 1 | 1 | | |
| 5 | 148 | 266605-8 | H.L. SOCKET HEAD BOLT | 2 | 2 | 2 | | |
| 5 | 148 | 908-005-165 | H.L. SOCKET HEAD BOLT | 2 | 2 | 2 | | |
| 5 | 150 | 810449-4 | LABEL | 1 | 1 | 1 | | |
| 5 | 150 | 185-114-237 | LABEL | 1 | 1 | 1 | | |
| 5 | 150 | 980-114-237 | LABEL | 1 | | 1 | | |
| 5 | 155 | 266978-9 | BOLT | 2 | 2 | 2 | | |
| 5 | 155 | 195-232-010 | BOLT | 2 | 2 | 2 | | |
| 5 | 157 | 346927-3 | COVER | 1 | 1 | 1 | | |
| 5 | 157 | 195-213-190 | COVER | 1 | 1 | 1 | | |
| 5 | 158 | 266477-1 | SCREW | 2 | 2 | 2 | | |
| 5 | 158 | 908-105-126 | SCREW | 2 | 2 | 2 | | |
| 5 | 159 | 161791-9 | SPROCKET GUARD CPL. BLUE | 1 | | | | |
| 5 | 159 | 195-213-602 | SPROCKET GUARD CPL. BLUE | 1 | | | | |
| 5 | 159 | 161440-8 | SPROCKET GUARD CPL. BLUE | 1 | | | | |
| 5 | 159 | 195-213-601 | SPROCKET GUARD CPL. BLUE | 1 | | | | |
| 5 | 159 | 161792-7 | SPROCKET GUARD CPL. RED | | 1 | 1 | | |
| 5 | 159 | 195-213-102 | SPROCKET GUARD CPL. RED | | 1 | 1 | | |
| 5 | 159 | 195-213-101 | SPROCKET GUARD CPL. RED | | 1 | 1 | | |
| 5 | 160 | 252145-2 | HEXAGONAL NUT | 2 | 2 | 2 | | |
| 5 | 160 | 923-208-004 | HEXAGONAL NUT | 2 | 2 | 2 | | |
| 5 | 161 | 183H51-7 | CHAIN TENSIONER CPL. | 1 | 1 | 1 | Y07638 | Nov2017> |
| 5 | 161 | 195-213-300 | CHAIN TENSIONER CPL. | 1 | 1 | 1 | | >Nov 2017 |

Products with multiple versions are listed in subsiding order with the newest version on top not indented.

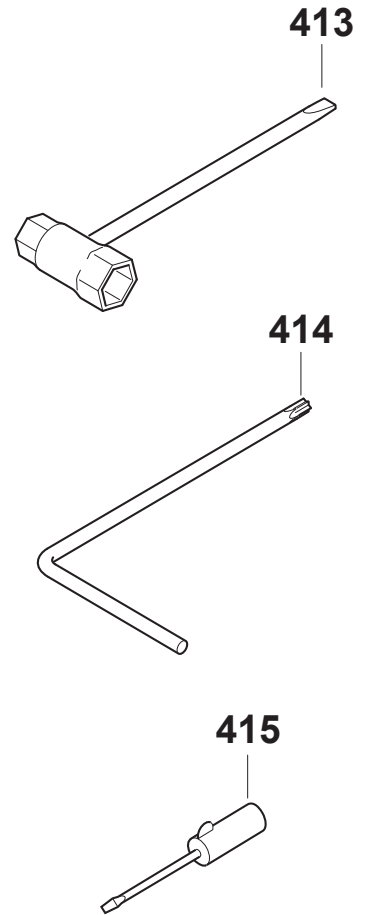
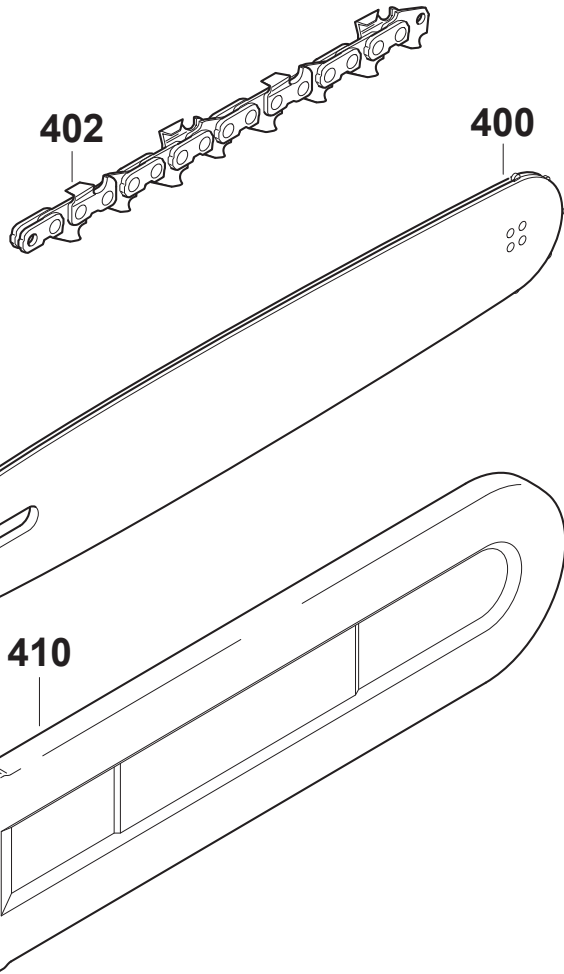
| Section | Fig. No. | Part No. | Description | EA4300F40B | EA4300FR | PS-421 | Tech Bulletin | Notes |
|---------|----------|-------------|--------------------------|------------|----------|--------|---------------|----------|
| 5 | 162 | 266484-4 | SCREW 5X12 | 1 | 1 | 1 | C2572 | 1-2019> |
| 5 | 162 | 251480-5 | SCREW 3.5X9.5 | 1 | 1 | 1 | | >12-2018 |
| 5 | 162 | 915-535-100 | SCREW | 1 | 1 | 1 | | |
| 5 | 163 | 963-207-020 | PACKING RING | 1 | 1 | 1 | | |
| 5 | 164 | 181-213-250 | ADJUSTING SCREW | 1 | 1 | 1 | | |
| 5 | 165 | 227743-1 | TENSIONING SCREW | 1 | 1 | 1 | | |
| 5 | 165 | 181-213-230 | TENSIONING SCREW | 1 | 1 | 1 | | |
| 5 | 166 | 452667-4 | TRANSMISSION COVER | 1 | 1 | 1 | | |
| 5 | 166 | 185-213-270 | TRANSMISSION COVER | 1 | | 1 | | |
| 5 | 166 | 181-213-270 | TRANSMISSION COVER | 1 | | 1 | | |
| 5 | 167 | 347252-5 | TENSION SLIDE | 1 | 1 | 1 | | |
| 5 | 167 | 346300-7 | TENSION SLIDE | 1 | 1 | 1 | | |
| 5 | 167 | 165-213-240 | TENSION SLIDE | 1 | | 1 | | |
| 5 | 168 | 181-213-260 | TENSIONING SCREW BEARING | 1 | 1 | 1 | | |
| 5 | 169 | 346518-0 | GUIDE PLATE | 1 | 1 | 1 | | |
| 5 | 169 | 195-213-120 | GUIDE PLATE | 1 | | 1 | | |



Products with multiple versions are listed in subsiding order with the newest version on top not indented.

| Section | Fig. No. | Part No. | Description | EA4300F40B | EA4300FR | PS-421 | Tech Bulletin | Notes |
|---------|----------|-------------|-------------------------|------------|----------|--------|---------------|-------|
| 6 | 300 | 161371-1 | CARBURETOR | 1 | 1 | 1 | | |
| 6 | 300 | 195-153-201 | CARBURETOR | 1 | 1 | 1 | | |
| 6 | 300 | 195-153-200 | CARBURETOR | 1 | 1 | 1 | | |
| 6 | 302 | 119-151-350 | SHAFT CLIP | | | 1 | | |
| 6 | 306 | 021-151-120 | DIAPHRAGM COVER | | | 1 | | |
| 6 | 307 | 195-151-350 | PUMP COVER CPL. | | | 1 | | |
| 6 | 308 | 957-151-200 | KIT THROTTLE SHAFT | | | 1 | | |
| 6 | 309 | 957-151-210 | KIT CHOKE SHAFT | | | 1 | | |
| 6 | 321 | 957-151-220 | SET GASKETS / DIAPHRAGM | | | 1 | | |
| 6 | 323 | 021-151-150 | PUMP DIAPHRAGM RUBBER | | | 1 | | |
| 6 | 325 | 118-151-190 | SCREW | | | 1 | | |
| 6 | 326 | 378-151-210 | IDLE SPEED SCREW | | | 1 | | |
| 6 | 328 | 378-151-220 | SCREW | | | 1 | | |
| 6 | 330 | 021-151-230 | COMPRESSION SPRING | | | 1 | | |
| 6 | 331 | 957-151-240 | SET SPRINGS/WASHERS | | | 1 | | |
| 6 | 332 | 001-151-310 | SPRING | | | 1 | | |
| 6 | 335 | 195-151-490 | SPRING | | | 1 | | |
| 6 | 337 | 195-151-520 | IDLE ADJUSTMENT SCREW | | | 1 | | |
| 6 | 338 | 195-151-530 | MAIN ADJUSTMENT SCREW | | | 1 | | |
| 6 | 343 | 021-151-180 | SCREEN | | | 1 | | |
| 6 | 346 | 957-151-070 | ACCELERATOR | | | 1 | | |
| 6 | 348 | 957-151-230 | SET OF CONTROL PARTS | | | 1 | | |
| 6 | 350 | 161371-1 | CARBURETOR | 1 | 1 | 1 | | |
| 6 | 350 | 195-153-201 | CARBURETOR | 1 | 1 | 1 | | |
| 6 | 350 | 195-153-200 | CARBURETOR | 1 | | 1 | | |
| 6 | 351 | 195-153-580 | KIT CHOKE SHAFT | 1 | 1 | 1 | | |
| 6 | 352 | 195-153-570 | KIT THROTTLE SHAFT | 1 | 1 | 1 | | |
| 6 | 353 | 195-153-510 | REPAIR KIT | 1 | 1 | 1 | | |
| 6 | 354 | 195-153-500 | SET GASKETS / DIAPHRAGM | 1 | 1 | 1 | | |
| 6 | 355 | 195-153-340 | ADJUST SCREW | 1 | 1 | 1 | | |
| 6 | 356 | 195-153-350 | ADJUST SCREW | 1 | 1 | 1 | | |
| 6 | 358 | 038-153-360 | SCREW | 1 | 1 | 1 | | |
| 6 | 359 | 195-153-230 | PUMP COVER CPL. | 1 | 1 | 1 | | |
| 6 | 360 | 195-153-360 | DIAPHRAGM COVER | 1 | 1 | 1 | | |
| 6 | 361 | 001-153-020 | SCREW | 2 | 2 | 2 | | |

3/8"



Products with multiple versions are listed in subsiding order with the newest version on top not indented.

| Section | Fig. No. | Part No. | Description | EA4300F40B | EA4300FR | PS-421 | Tech Bulletin | Notes |
|---------|----------|-------------|--------------------------------|------------|----------|--------|---------------|--------|
| 7 | 400 | E-00103 | SPROCKET NOSE BAR | 1 | 1 | 1 | | |
| 7 | 400 | 442-040-661 | SPROCKET NOSE BAR | 1 | 1 | 1 | | |
| 7 | 400 | 412-040-661 | SPROCKET NOSE BAR 16" 3/8 .050 | 1 | 1 | 1 | | |
| 7 | 402 | E-00256 | SAW CHAIN | 1 | 1 | 1 | | Makita |
| 7 | 402 | 196208-3 | SAW CHAIN | 1 | 1 | 1 | | Makita |
| 7 | 402 | 195400-8 | SAW CHAIN | 1 | 1 | 1 | | Makita |
| 7 | 402 | 511-492-056 | SAW CHAIN 16" 3/8 .050 | 1 | 1 | 1 | | Dolmar |
| 7 | 410 | 419242-9 | CHAIN PROTECTOR 14-16" | 1 | 1 | 1 | | |
| 7 | 413 | 941-713-161 | UNIVERSAL WRENCH | 1 | 1 | 1 | | |
| 7 | 413 | 941-713-160 | UNIVERSAL WRENCH | 1 | 1 | 1 | | |
| 7 | 414 | 782025-3 | ANGLED SCREW DRIVER | 1 | 1 | 1 | | |
| 7 | 414 | 940-827-000 | ANGLED SCREW DRIVER | 1 | 1 | 1 | | |
| 7 | 415 | 944-340-001 | SCREWDRIVER | 1 | 1 | 1 | | |