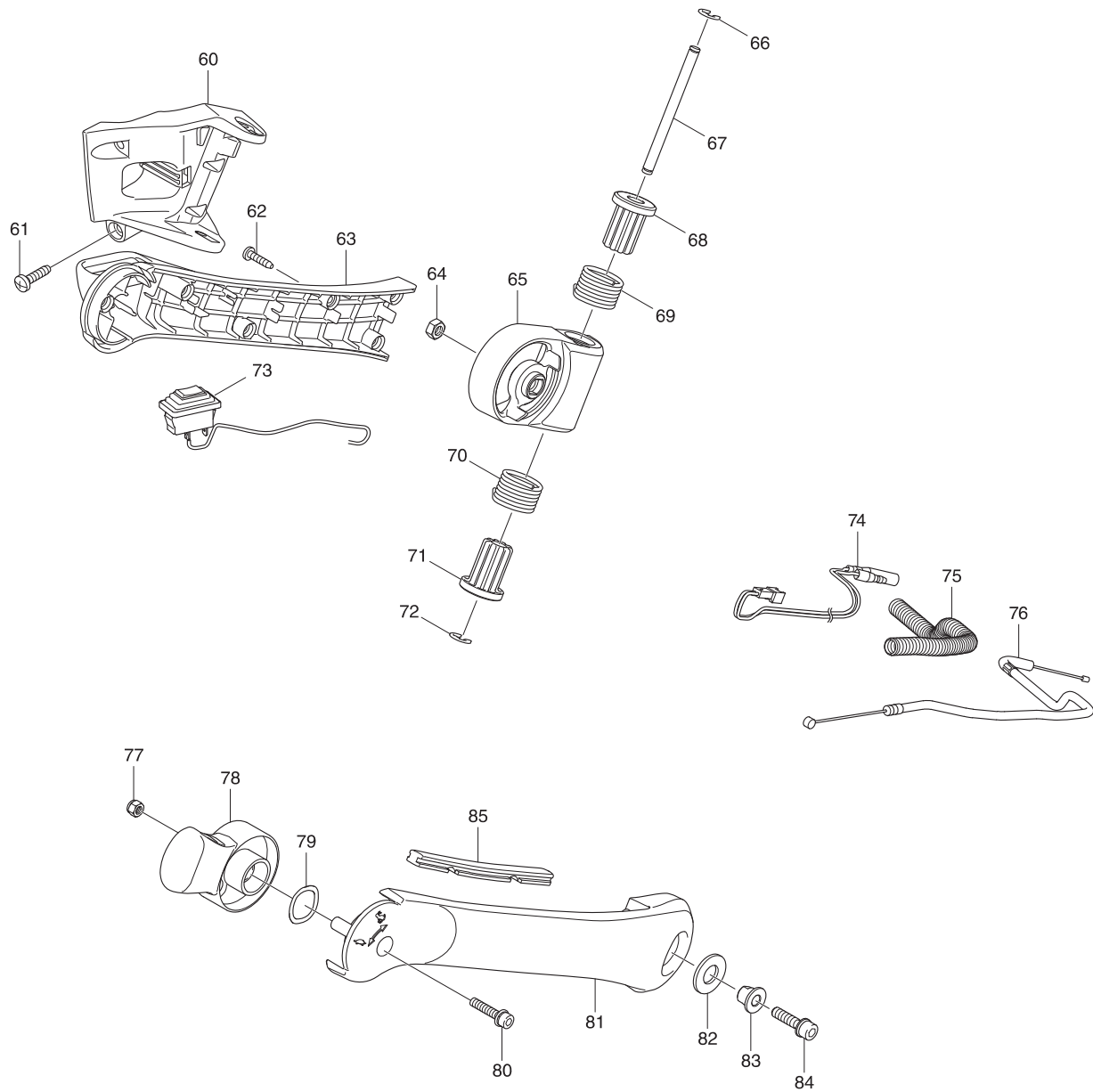


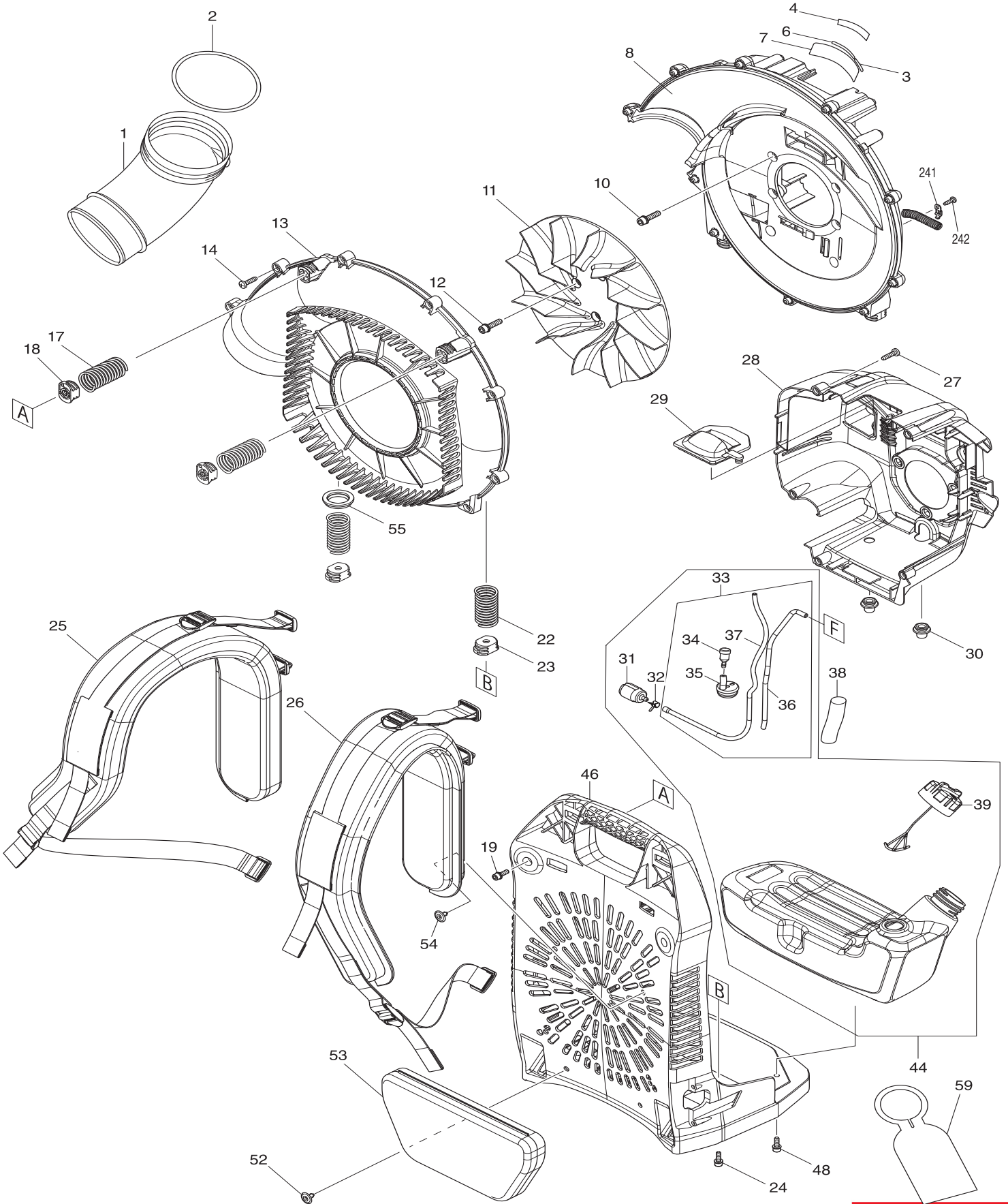


EB5300WH



Products with multiple versions are listed in subsiding order with the newest version on top not indented.

Section	Fig. No.	Part No.	Description	EB5300WH	Tech Bulletin	Notes
1	60	454919-9	ARM BASE HOLDER	1		
1	61	266420-0	TAPPING SCREW 5X20	2		
1	62	266326-2	TAPPING SCREW 4X18	6		
1	63	454929-6	ARM COVER	1		
1	64	252014-7	HEX. LOCK NUT M6-10	1		
1	65	454927-0	ARM BASE	1		
1	66	961011-9	STOP RING E-4	2		
1	67	268313-7	ROD 6	1		
1	68	422123-8	RUBBER SLEEVE 6	1		
1	69	233613-4	TORSION SPRING 21	1		
1	70	233613-4	TORSION SPRING 21	1		
1	71	422123-8	RUBBER SLEEVE 6	1		
1	73	632C05-6	SWITCH UNIT	1		
1	74	632J22-8	LEAD UNIT	1		
1	75	457106-9	CORRUGATE TUBE	1		
1	76	161548-8	CONTROL CABLE	1		
1	77	252103-8	HEX. LOCK NUT M5-8	1		
1	78	456616-3	THROTTLE LEVER	1		
1	79	267715-4	WAVE WASHER 20	1		
1	80	922243-3	HEX. SOCKET HEAD BOLT M5X25	1		
1	81	454928-8	ARM	1		
1	82	253843-1	FLAT WASHER 12	1		
1	83	257829-7	SLEEVE 7	1		
1	84	922343-9	H.S.H.BOLT M6X25 WITH WR	1		
1	85	424672-1	ARM RUBBER	2		

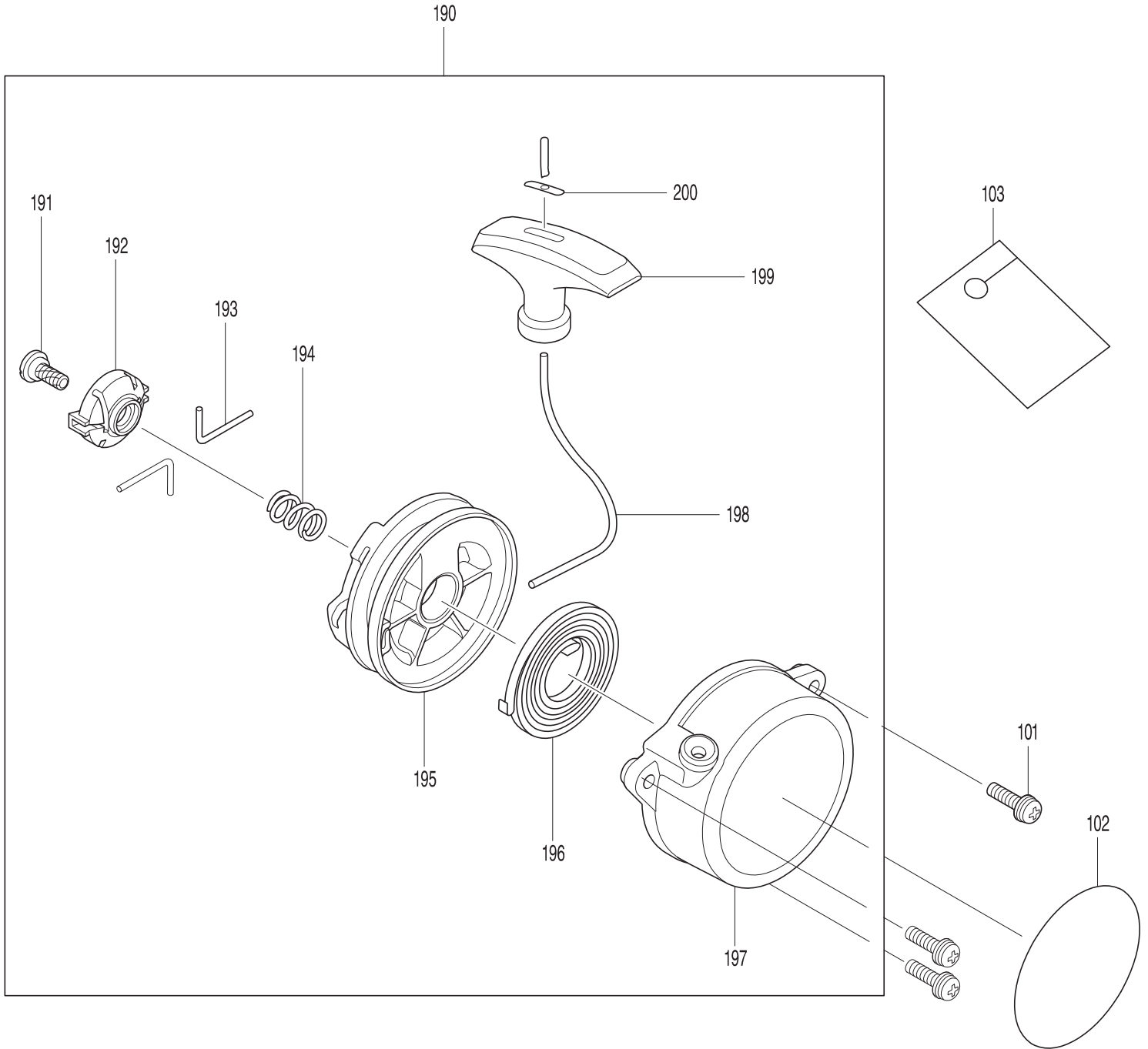


Products with multiple versions are listed in subsiding order with the newest version on top not indented.

Section	Fig. No.	Part No.	Description	EB5300WH	Tech Bulletin	Notes
2	1	412144-8	ELBOW	1		
2	2	213645-7	O RING 93	1		
2	3	852V99-1	SERIAL NO. LABEL	1		
2	4	802K75-9	CAUTION LABEL	1		
2	6	814E64-6	SERIAL NO. LABEL	1		
2	7	803S72-6	CAUTION LABEL	1		
2	8	457098-2	FRONT VOLUTE CASE	1		
2	10	922343-9	H.S.H.BOLT M6X25 WITH WR	6		
2	11	240170-5	FAN 243	1		
2	12	922343-9	H.S.H.BOLT M6X25 WITH WR	4		
2	13	457099-0	REAR VOLUTE CASE	1		
2	14	266420-0	TAPPING SCREW 5X20	10		
2	17	232328-0	COMPRESSION SPRING 22	2		
2	18	454904-2	SPRING HOLDER B	2		
2	19	922223-9	H.S.H.BOLT M5X16 WITH WR	2		
2	22	232329-8	COMPRESSION SPRING 22	2		
2	23	454904-2	SPRING HOLDER B	2		
2	24	922223-9	H.S.H.BOLT M5X16 WITH WR	2		
2	25	162506-7	BAND R COMPLETE M	1		
2	25	161544-6	BAND R COMPLETE M	1		
2	26	162505-9	BAND L COMPLETE M	1		
2	26	161543-8	BAND L COMPLETE M	1		
2	27	266420-0	TAPPING SCREW 5X20	5		
2	28	144360-1	ENGINE COVER COMPLETE M	1		
2	29	424909-6	PLUG COVER	1		
2	30	424620-0	DAMPER	2		
2	31	163532-9	FILTER	1		
2	32	345920-4	HOSE CLAMP	1		
2	33	123790-9	FUEL TUBE ASSEMBLY	1		
2	34	168396-6	BREATHER	1		
2	35	424505-0	GROMMET	1		
2	36	422125-4	TUBE 3-370	1		
2	37	412114-7	FUEL TUBE 3-370	1		

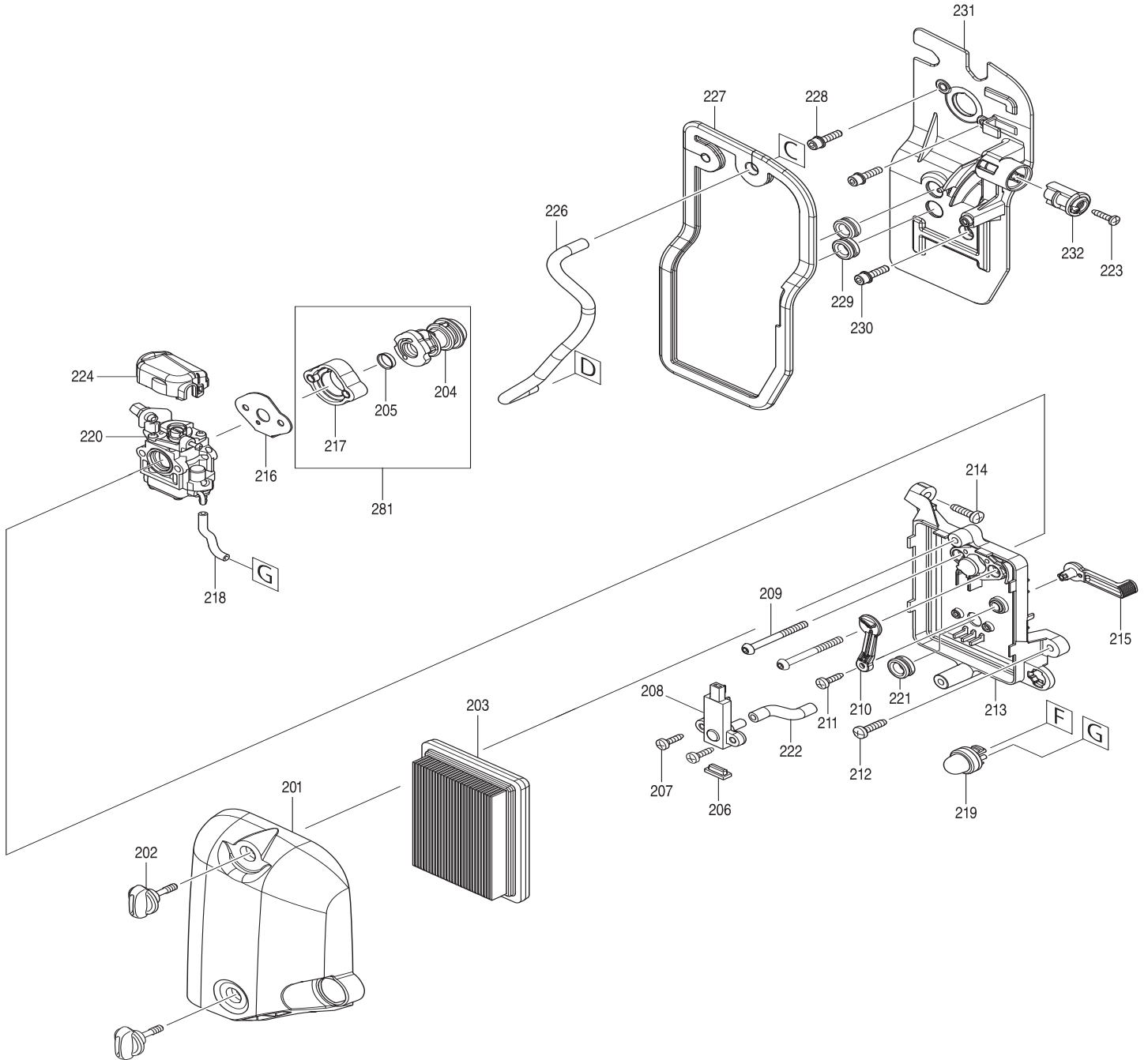
Products with multiple versions are listed in subsiding order with the newest version on top not indented.

Section	Fig. No.	Part No.	Description	EB5300WH	Tech Bulletin	Notes
2	38	422137-7	TUBE GUARD 20-102	1		
2	39	125728-0	FUEL TANK CAP ASSEMBLY	1		
2	44	126856-4	FUEL TANK ASSEMBLY	1		INC. 31-33,39
2	46	457097-4	FRAME	1		
2	48	922223-9	H.S.H.BOLT M5X16 WITH WR	2		
2	52	458158-3	LOCK RIVET	4		
2	53	161547-0	CUSION	1		
2	54	458158-3	LOCK RIVET	2		
2	55	424678-9	RUBBER RING 25	1		
2	59	810455-9	CAUTION PLATE	1		
2	241	687682-1	STRAIN RELIEF	1		
2	242	266192-7	TAPPING SCREW 4X14	1		



Products with multiple versions are listed in subsiding order with the newest version on top not indented.

Section	Fig. No.	Part No.	Description	EB5300WH	Tech Bulletin	Notes
3	101	922233-6	HEX SOCKET HEAD BOLT M5X20	3		
3	102	812A81-6	EB5300WH MODEL NO. LABEL	1		
3	103	819432-8	CAUTION TAG	1		
3	190	123863-8	RECOIL STARTER ASSEMBLY	1		INC. 191-200
3	191	SG00000005	SET SCREW A60701200080	1		
3	192	424516-5	COLLAR	1		
3	193	326200-7	SWING ARM	2		
3	194	234257-3	FRICTION SPRING	1		
3	195	441075-4	REEL	1		
3	196	SG00000018	SPIRAL SPRING	1		
3	197	457302-9	RECOIL STARTER	1		
3	198	444043-6	STARTER ROPE	1		
3	199	424361-8	STARTER KNOB	1		
3	200	SG00000009	ROPE STOPPER A57302611810	1		

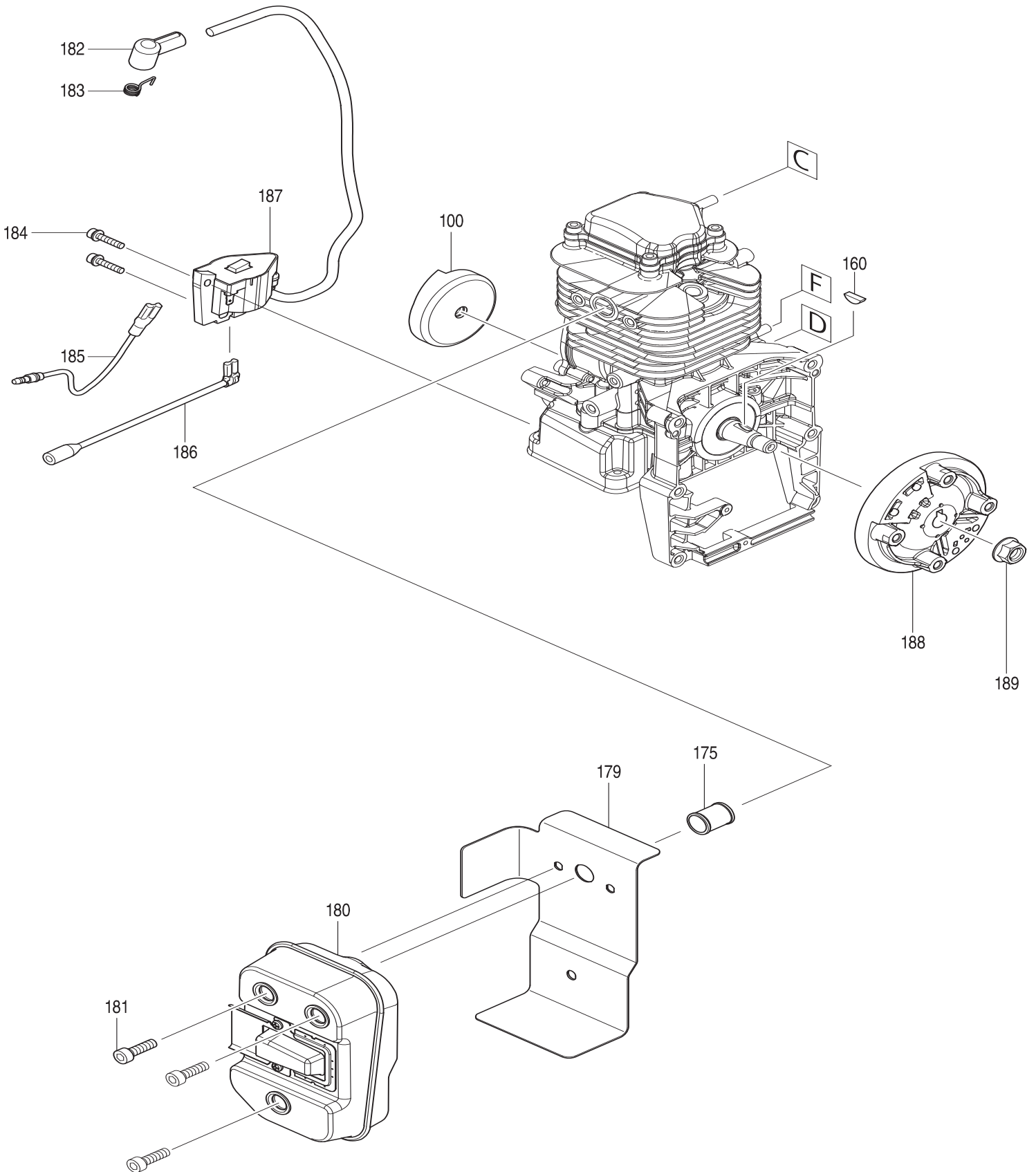


Products with multiple versions are listed in subsiding order with the newest version on top not indented.

Section	Fig. No.	Part No.	Description	EB5300WH	Tech Bulletin	Notes
4	201	457088-5	AIR CLEANER COVER	1		
4	202	251481-3	THUMB SCREW M5X20	2		
4	203	424896-9	AIR CLEANER ELEMENT	1		
4	204	424898-5	FUEL SUCTION LINE	1		
4	205	332075-4	INNER RING	1		
4	206	424897-7	RUBBER PLATE	1		
4	207	266192-7	TAPPING SCREW 4X14	2		
4	208	456994-1	BLOWBY GUIDE	1		
4	209	251496-0	H.S. BUTTON HEAD BOLT M5X50	2		
4	210	458167-2	CHOKE PLATE	1		
4	210	458167-2	CHOKE PLATE	1	B9550	From July 2017 Production - Interchangeable as a set with 458165-6
4	211	266192-7	TAPPING SCREW 4X14	1		
4	212	266420-0	TAPPING SCREW 5X20	1		
4	213	456993-3	AIR CLEANER PLATE	1		
4	214	266420-0	TAPPING SCREW 5X20	2		
4	215	458165-6	CHOKE LEVER	1	B9550	From July 2017 Production - Interchangeable as a set with 458167-2
4	215	453502-9	CHOKE LEVER	1		
4	216	161519-5	CARBURETOR GASKET	1		
4	217	456996-7	CARBURETOR BRACKET	1		
4	218	424900-4	FUEL TUBE 3-85	1		
4	219	168398-2	PRIMER PUMP	1		
4	220	161517-9	CARBURETOR	1		INC. 250-258,261-273
4	221	424623-4	GROMMET	1		
4	222	422084-2	TUBE 5-55	1		
4	223	266326-2	TAPPING SCREW 4X18	1		
4	224	456401-4	CARBURETOR COVER	1		
4	226	424901-2	OIL TUBE 5-195	1		
4	227	424899-3	INSULATOR SEAL	1		
4	228	922233-6	HEX SOCKET HEAD BOLT M5X20	2		
4	229	424623-4	GROMMET	2		

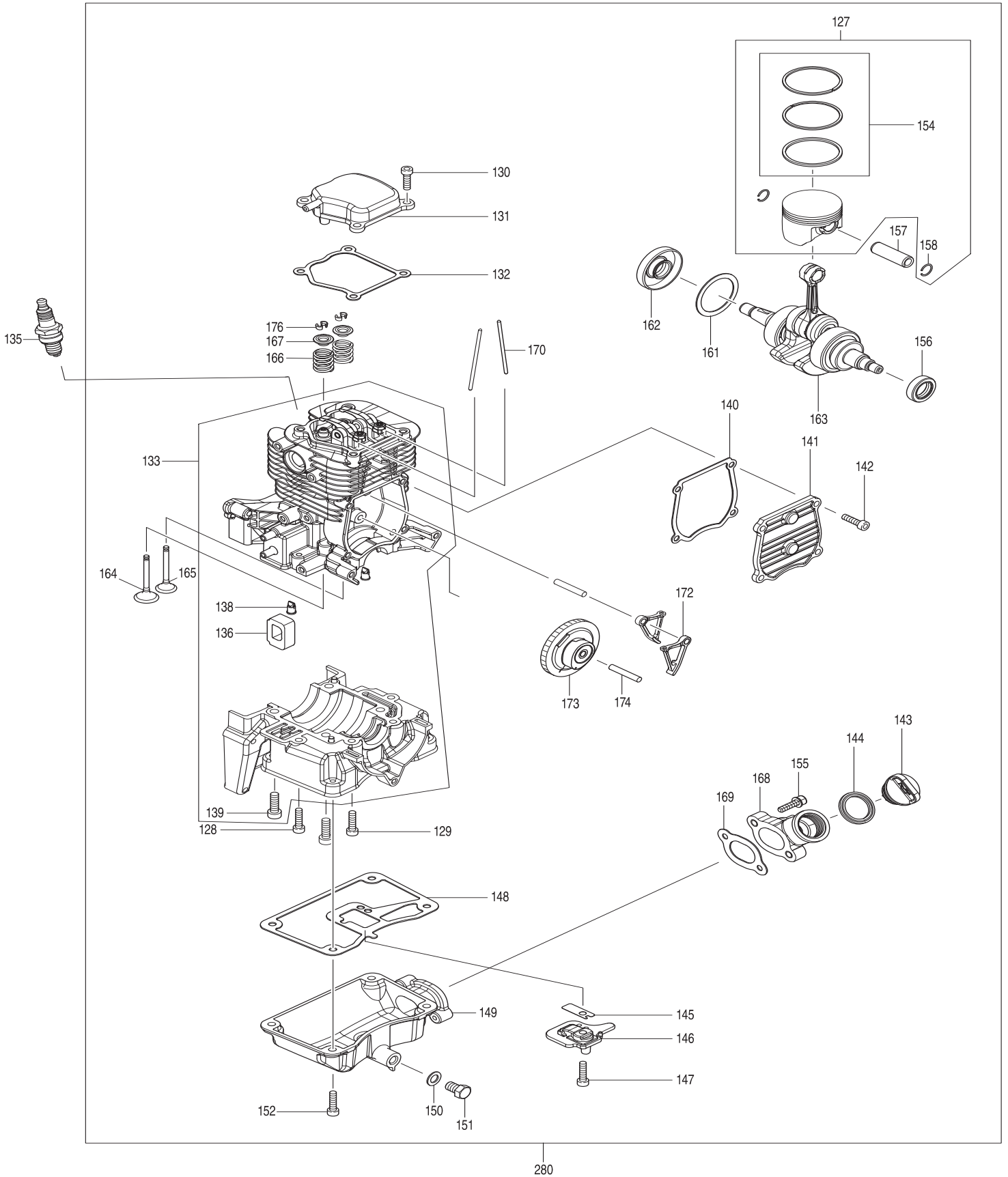
Products with multiple versions are listed in subsiding order with the newest version on top not indented.

Section	Fig. No.	Part No.	Description	EB5300WH	Tech Bulletin	Notes
4	230	922233-6	HEX SOCKET HEAD BOLT M5X20	1		
4	231	456997-5	INSULATOR	1		
4	232	456998-3	ICING VALVE	1		
4	281	135838-5	FUEL SUCTION LINE ASSEMBLY	1		INC. 204,205,217



Products with multiple versions are listed in subsiding order with the newest version on top not indented.

Section	Fig. No.	Part No.	Description	EB5300WH	Tech Bulletin	Notes
5	100	597-55000-00	PULLEY	1		
5	175	331987-8	EXHAUST PORT SPACER	1		
5	179	347077-7	MUFFLER GASKET	1		
5	180	161518-7	MUFFLER	1		
5	181	922332-4	HEX. SOCKET HEAD BOLT M6X20	3		
5	182	424105-6	PLUG CAP	1		
5	183	324891-8	PLUG CAP SPRING	1		
5	184	922138-0	H.S.H.BOLT M4X20 WITH WR	2		
5	185	632J30-9	LEAD UNIT A	1		
5	186	632J50-3	LEAD UNIT B	1		
5	187	161411-5	IGNITION COIL	1		
5	188	319391-1	FLYWHEEL	1		
5	189	264054-3	FLANGE NUT M10	1		
5	160	254001-2	WOODRUFF KEY 4	1		



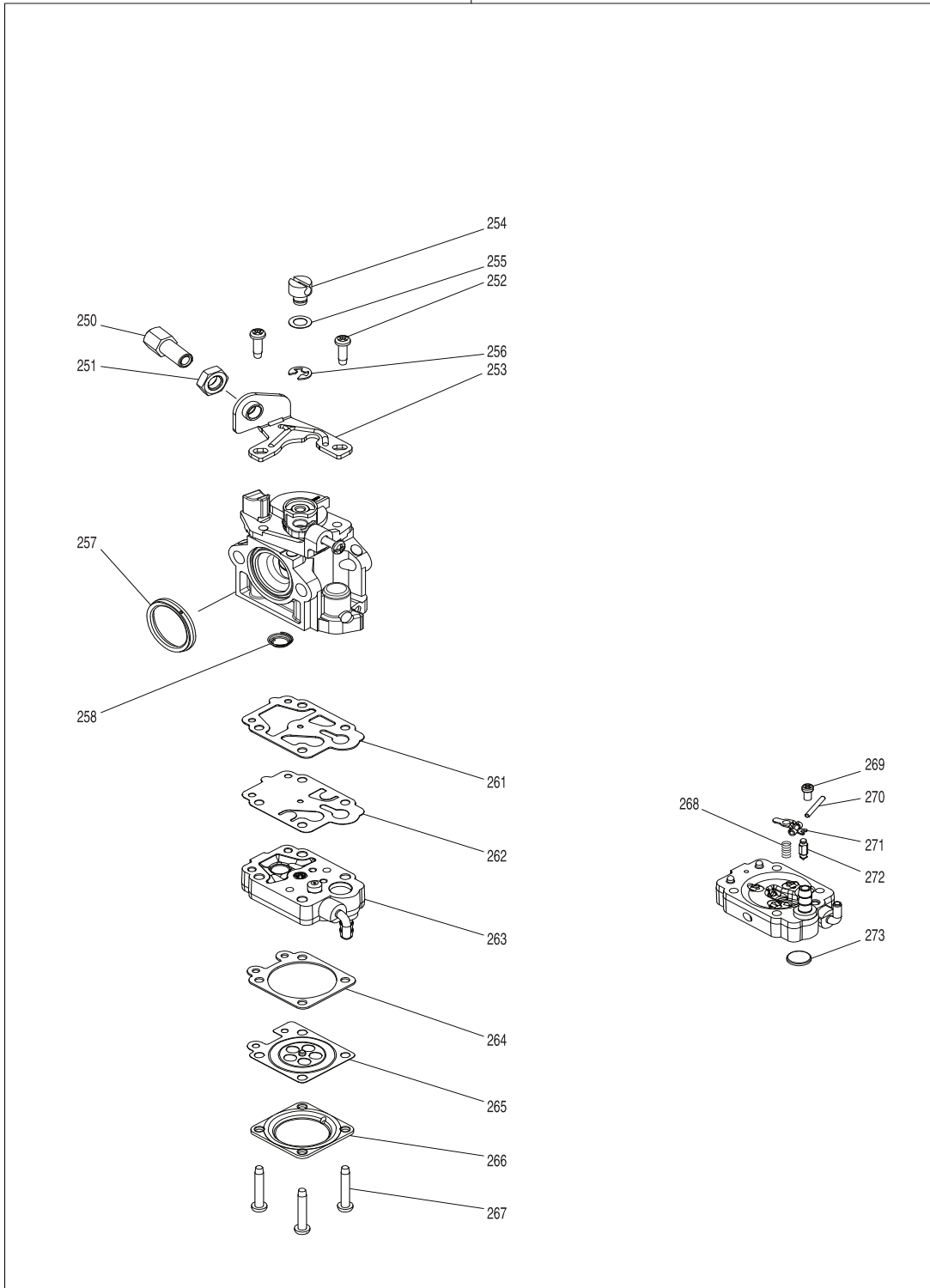
Products with multiple versions are listed in subsiding order with the newest version on top not indented.

Section	Fig. No.	Part No.	Description	EB5300WH	Tech Bulletin	Notes
6	127	198420-1	PISTON SET	1		INC. 154,158
6	176	331967-4	COTTER	4		
6	128	922232-8	HEX. SOCKET HEAD BOLT M5X20	2		
6	129	922232-8	HEX. SOCKET HEAD BOLT M5X20	2		
6	130	922232-8	HEX. SOCKET HEAD BOLT M5X20	4		
6	131	319465-8	ROCKER COVER	1		
6	132	161520-0	ROCKER COVER GASKET	1		
6	133	135893-7	CYLINDER BLOCK COMPLETE ASS'Y	1		INC. 136,138,139
6	135	168652-4	SPARK PLUG	1		NGK CMR6H .020
6	136	352020-3	SEPARATOR MESH	1		
6	138	424201-0	CHECK VALVE	3		
6	139	922332-4	HEX. SOCKET HEAD BOLT M6X20	4		
6	140	161521-8	CAM GEAR COVER GASKET	1		
6	141	319464-0	CAM GEAR COVER	1		
6	142	922232-8	HEX. SOCKET HEAD BOLT M5X20	4		
6	143	452047-4	OIL CAP	1		
6	144	424343-0	GASKET	1		
6	145	346398-4	LEAD VALVE	1		
6	146	319467-4	RETAINER PLATE	1		
6	147	922232-8	HEX. SOCKET HEAD BOLT M5X20	1		
6	148	161522-6	OIL CASE GASKET	1		
6	149	319466-6	OIL CASE	1		
6	150	346452-4	GASKET	1		
6	151	921412-3	HEX. BOLT M8X12	1		
6	152	922232-8	HEX. SOCKET HEAD BOLT M5X20	4		
6	154	198421-9	PISTON RING SET	1		
6	155	922233-6	HEX SOCKET HEAD BOLT M5X20	2		
6	156	213231-4	OIL SEAL 15	1		
6	157	256331-7	PISTON PIN 11	1		
6	158	232316-7	RING SPRING 11	2		
6	161	253374-0	FLAT WASHER 35	1		
6	162	213088-3	OIL SEAL 15	1		
6	163	123748-8	CRANK SHAFT ASSEMBLY	1		

Products with multiple versions are listed in subsiding order with the newest version on top not indented.

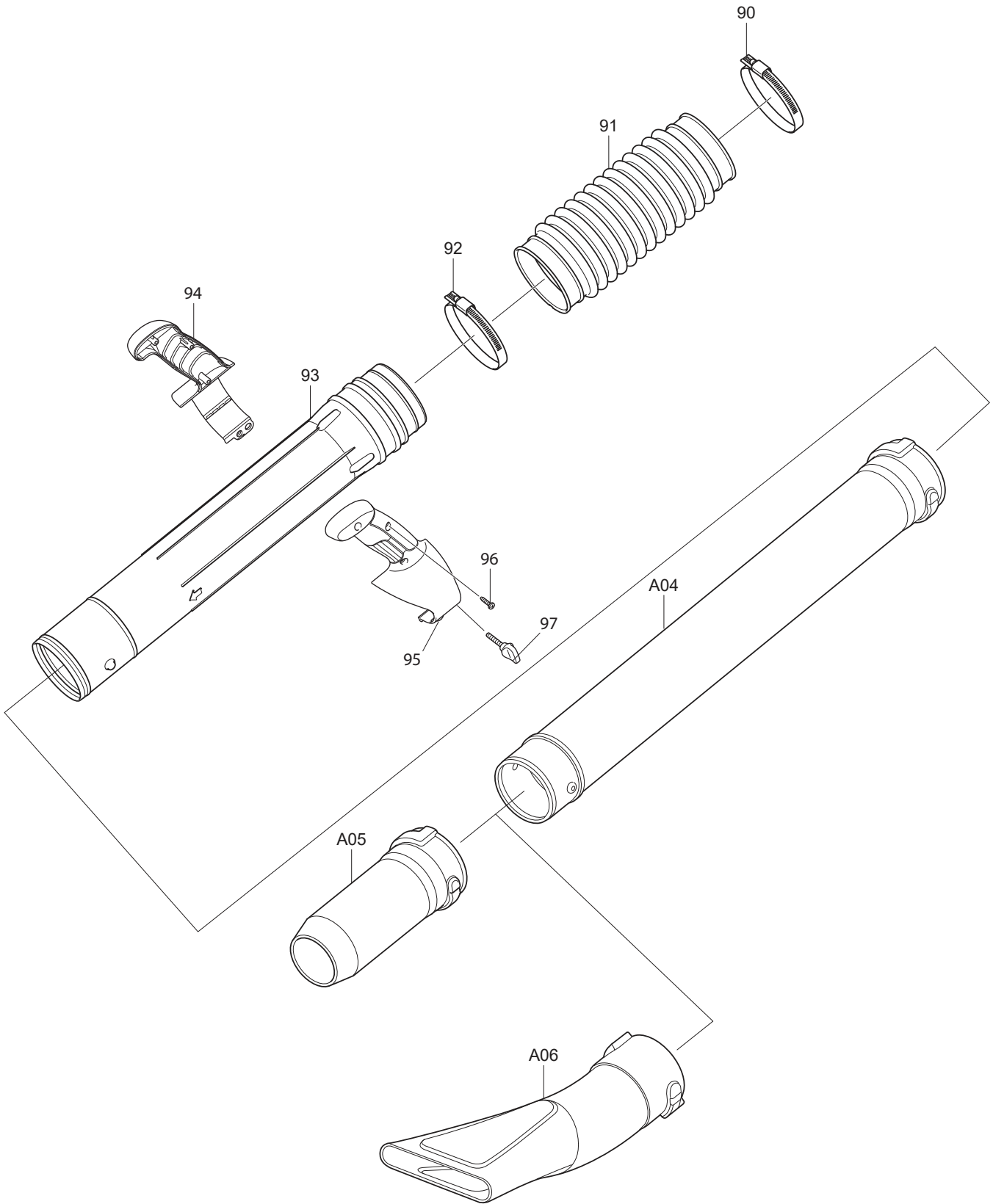
Section	Fig. No.	Part No.	Description	EB5300WH	Tech Bulletin	Notes
6	164	326795-0	INTAKE VALVE	1		
6	165	326796-8	EXHAUST VALVE	1		
6	166	232315-9	COMPRESSION SPRING 12	2		
6	167	331966-6	RETAINER	2		
6	168	456999-1	OIL PIPE	1		
6	169	161523-4	OIL PIPE GASKET	1		
6	170	256866-8	ROD 2.5	2		
6	172	310739-0	CAM LIFTER	2		
6	173	135894-5	CAM GEAR ASSY	1		
6	174	256196-7	PIN 5	2		
6	280	199478-3	ENGINE SHORT BLOCK ASSEMBLY	1		INC. 127-133,136,138-152,154-158,161-170,172-174,176
6	280	123986-2	ENGINE SHORT BLOCK ASSEMBLY	1		INC. 127-133,136,138-152,154-158,161-170,172-174,176

220



Products with multiple versions are listed in subsiding order with the newest version on top not indented.

Section	Fig. No.	Part No.	Description	EB5300WH	Tech Bulletin	Notes
7	220	161517-9	CARBURETOR	1		INC. 250-258,261-273
7	250	266795-7	ADJUST SCREW	1		
7	251	264065-8	CABLE ADJUST NUT M6	1		
7	252	266704-6	PAN HEAD SCREW M3X10	2		
7	253	346491-4	BRACKET CABLE	1		
7	254	325922-6	SWIVEL	1		
7	255	413140-9	WASHER	1		
7	256	257964-1	STOP RING E-3	1		
7	257	424444-4	PACKING RING	1		
7	258	234183-6	CONICAL COMPRESSION SPRING 5-9	1		
7	261	442155-9	PUMP GASKET	1		
7	262	WJ00009599	PUMP DIAPHRAGM	1		
7	263	WJ00059242	PUMP BODY ASS'Y	1		
7	264	442183-4	METERING DIAPHRAGM GASKET	1		
7	265	168620-7	METERING DIAPHRAGM	1		
7	266	WJ00021158	METERING DIAPHRAGM COVER	1		
7	267	WJ00096325	SCREW	4		
7	268	WJ00983160	SPRING	1		
7	269	WJ00096424	SCREW	1		
7	270	WJ00014477	METERING LEVER PIN	1		
7	271	WJ00016648	LEVER	1		
7	272	WJ00008282	INLET NEEDLE VALVE	1		
7	273	WJ00014070	INLET SCREEN	1		



Products with multiple versions are listed in subsiding order with the newest version on top not indented.

Section	Fig. No.	Part No.	Description	EB5300WH	Tech Bulletin	Notes
8	90	282025-8	HOSE CLAMP 100	1		
8	91	454934-3	FLEXIBLE PIPE	1		
8	92	282025-8	HOSE CLAMP 100	1		
8	93	161653-1	SWIVEL PIPE COMPLETE	1		
8	94	187799-5	HANDLE SET	1		INC. 95
8	95	187799-5	HANDLE SET	1		INC. 94
8	96	266326-2	TAPPING SCREW 4X18	3		
8	97	265762-9	THUMB SCREW M5X30	1		
8	A04	197723-0	LONG PIPE			
8	A04	454895-7	LONG PIPE	1		
8	A05	196912-4	SHORT PIPE	1		
8	A06	196911-6	FLAT NOZZLE	1		
8	A06	454916-5	FLAT NOZZLE	1		