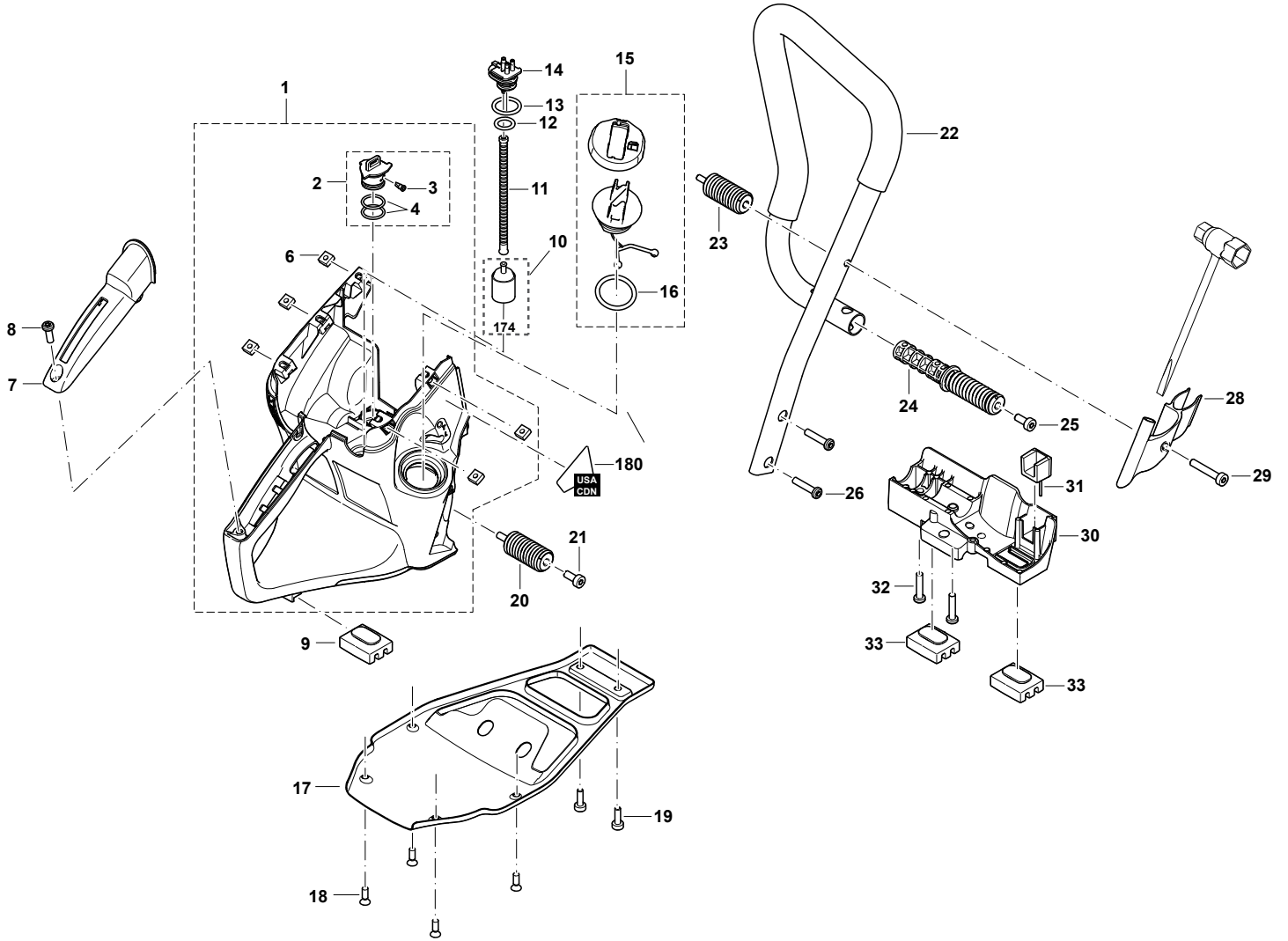




PARTS BREAKDOWN
EK6101
PC-6114

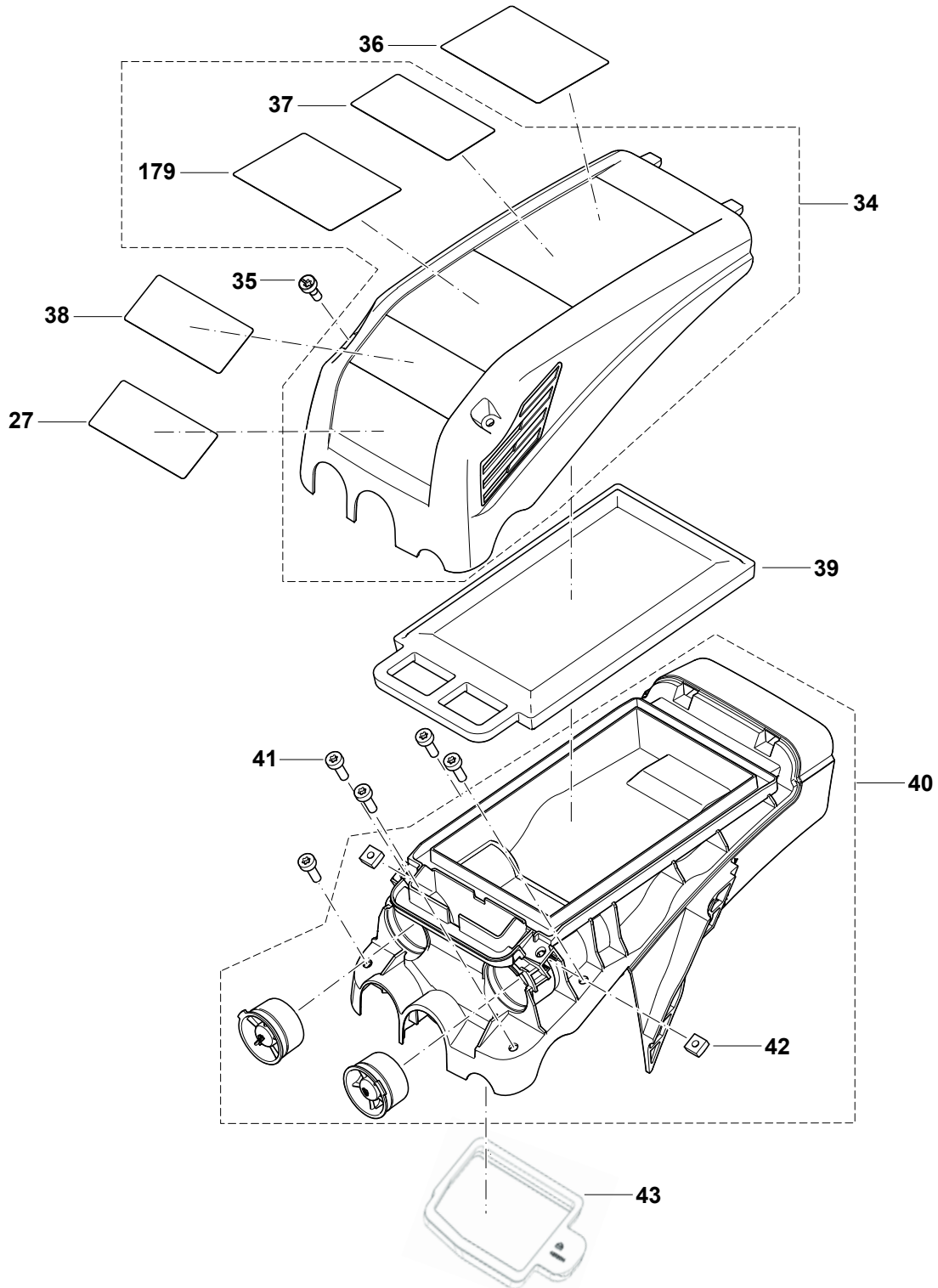


Products with multiple versions are listed in subsiding order with the newest version on top not indented.

| Section | Fig. No. | Part No. | Description | EK6101 | PC-6114 | Tech Bulletin | Notes |
|---------|----------|-------------|----------------------|--------|---------|---------------|----------|
| 1 | 1 | 123476-5 | FUEL TANK CPL. BLUE | 1 | | | MAKITA |
| 1 | 1 | 315-114-640 | FUEL TANK CPL. BLUE | 1 | | | MAKITA |
| 1 | 1 | 315-114-601 | FUEL TANK CPL. BLUE | 1 | | | MAKITA |
| 1 | 1 | 315-114-101 | FUEL TANK CPL. RED | | 1 | | DOLMAR |
| 1 | 2 | 315-175-061 | VALVE COVER CPL. | 1 | 1 | | |
| 1 | 3 | 010-175-021 | VALVE | 1 | 1 | | |
| 1 | 4 | 963-217-020 | O-RING | 2 | 2 | | 17X2 FKM |
| 1 | 6 | 264108-6 | SQUARE NUT | 5 | 5 | | M5, SW10 |
| 1 | 6 | 038-111-060 | SQUARE NUT | 5 | 5 | | M5, SW10 |
| 1 | 7 | 456295-7 | GRIP OUTER SHELL | 1 | 1 | | |
| 1 | 7 | 315-117-050 | GRIP OUTER SHELL | 1 | 1 | | |
| 1 | 8 | 266478-9 | SCREW | 1 | 1 | | |
| 1 | 8 | 913-455-164 | SCREW | 1 | 1 | | 5,5X16 |
| 1 | 9 | 424781-6 | RUBBER FOOT | 1 | 1 | | |
| 1 | 9 | 315-114-060 | RUBBER FOOT | 1 | 1 | | |
| 1 | 10 | 010-114-010 | SUCTION HEAD | 1 | 1 | | |
| 1 | 11 | 315-114-140 | FUEL LINE | 1 | 1 | | |
| 1 | 12 | 963-213-030 | O-RING | 1 | 1 | | 13X3 |
| 1 | 13 | 963-221-030 | O-RING | 1 | 1 | | 21X3 |
| 1 | 14 | 456299-9 | NIPPLE | 1 | 1 | | |
| 1 | 14 | 315-114-150 | NIPPLE | 1 | 1 | | |
| 1 | 15 | 315-114-350 | TANK CAP ASSEMBLY | 1 | 1 | | |
| 1 | 16 | 213080-9 | PACKING RING | 1 | 1 | | 29,3X3,6 |
| 1 | 16 | 963-229-036 | PACKING RING | 1 | 1 | | 29,3X3,6 |
| 1 | 17 | 346958-2 | BASE SHIELD | 1 | 1 | | |
| 1 | 17 | 315-114-110 | BASE SHIELD | 1 | 1 | | |
| 1 | 18 | 266991-7 | SCREW | 4 | 4 | | 5X15 |
| 1 | 18 | 913-850-155 | SCREW | 4 | 4 | | 5X15 |
| 1 | 19 | 908-005-125 | SCREW | 2 | 2 | | M5X12 |
| 1 | 20 | 143461-2 | DAMPING SPRING, CPL. | 2 | 2 | | |
| 1 | 20 | 315-114-220 | DAMPING SPRING, CPL. | 2 | 2 | | |
| 1 | 21 | 908-006-145 | SCREW | 2 | 2 | | M6X14 |
| 1 | 22 | 143442-6 | TUBULAR HANDLE ASSY. | 1 | 1 | | |

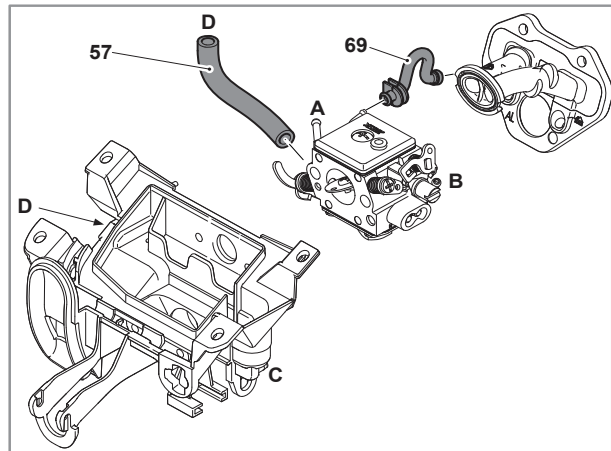
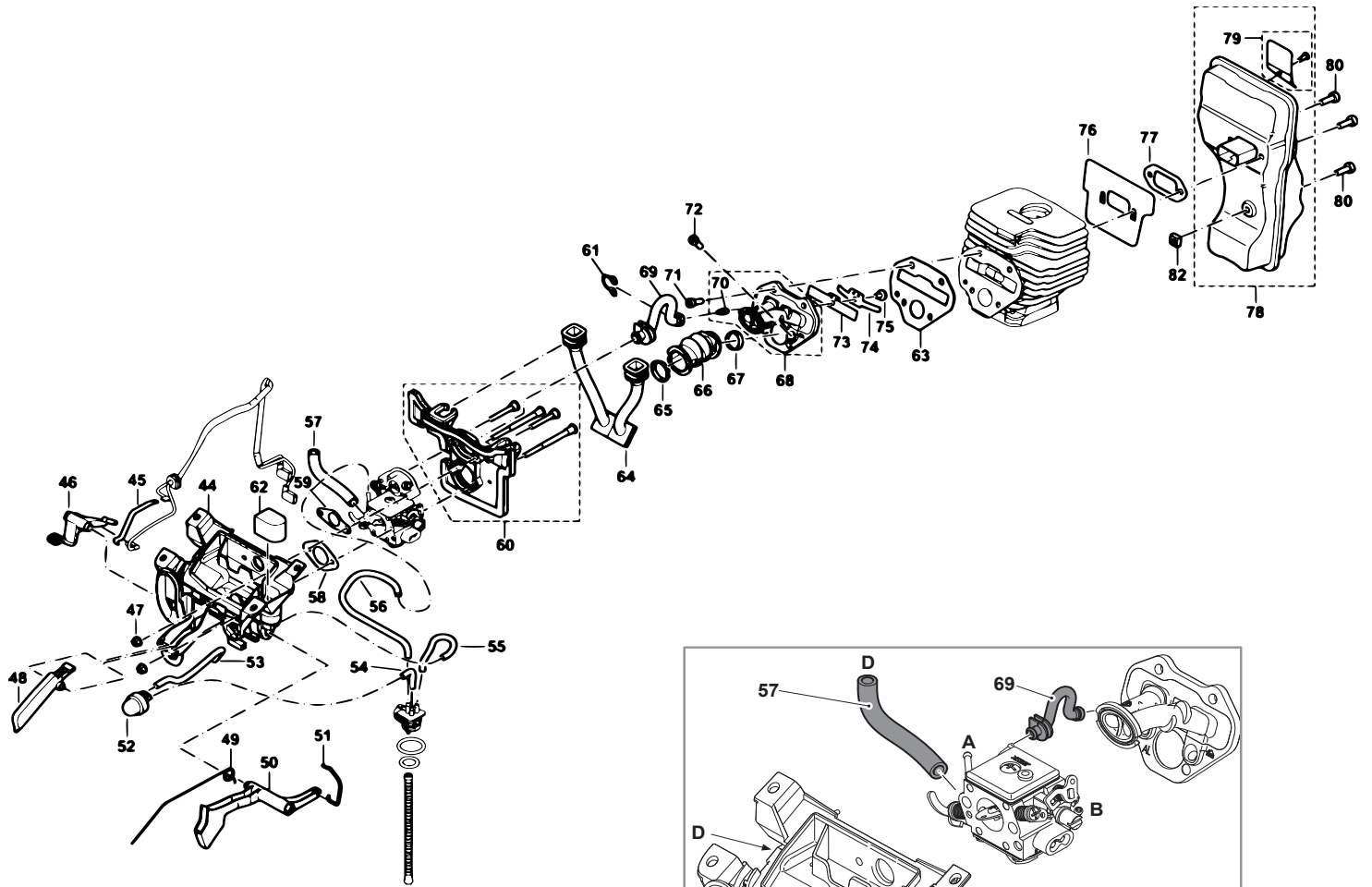
Products with multiple versions are listed in subsiding order with the newest version on top not indented.

| Section | Fig. No. | Part No. | Description | EK6101 | PC-6114 | Tech Bulletin | Notes |
|---------|----------|-------------|----------------------|--------|---------|---------------|--------|
| 1 | 22 | 315-310-110 | TUBULAR HANDLE ASSY. | 1 | 1 | | |
| 1 | 23 | 140F77-0 | DAMPING SPRING, CPL. | 1 | 1 | | |
| 1 | 23 | 143460-4 | DAMPING SPRING, CPL. | 1 | 1 | | |
| 1 | 23 | 315-114-200 | DAMPING SPRING, CPL. | 1 | 1 | | |
| 1 | 24 | 143462-0 | DAMPING SPRING, CPL. | 1 | 1 | | |
| 1 | 24 | 315-114-300 | DAMPING SPRING, CPL. | 1 | 1 | | |
| 1 | 25 | 908-006-145 | SCREW | 1 | 1 | | M6X14 |
| 1 | 26 | 266475-5 | SCREW | 2 | 2 | | 5,5X20 |
| 1 | 26 | 913-455-204 | SCREW | 2 | 2 | | 5,5X20 |
| 1 | 28 | 315-310-020 | CLAMP HANDLE | 1 | 1 | | |
| 1 | 29 | 908-006-355 | SCREW | 1 | 1 | | M6X35 |
| 1 | 30 | 319369-4 | STAND SUPPORT | 1 | 1 | | |
| 1 | 30 | 315-114-121 | STAND SUPPORT | 1 | 1 | | |
| 1 | 31 | 424788-2 | DAMPER | 1 | 1 | | |
| 1 | 31 | 315-114-090 | DAMPER | 1 | 1 | | |
| 1 | 32 | 266475-5 | SCREW | 2 | 2 | | 5,5X20 |
| 1 | 32 | 913-455-204 | SCREW | 2 | 2 | | 5,5X20 |
| 1 | 33 | 424781-6 | RUBBER FOOT | 2 | 2 | | |
| 1 | 33 | 315-114-060 | RUBBER FOOT | 2 | 2 | | |
| 1 | 174 | 010-114-010 | FELT | 1 | 1 | | |

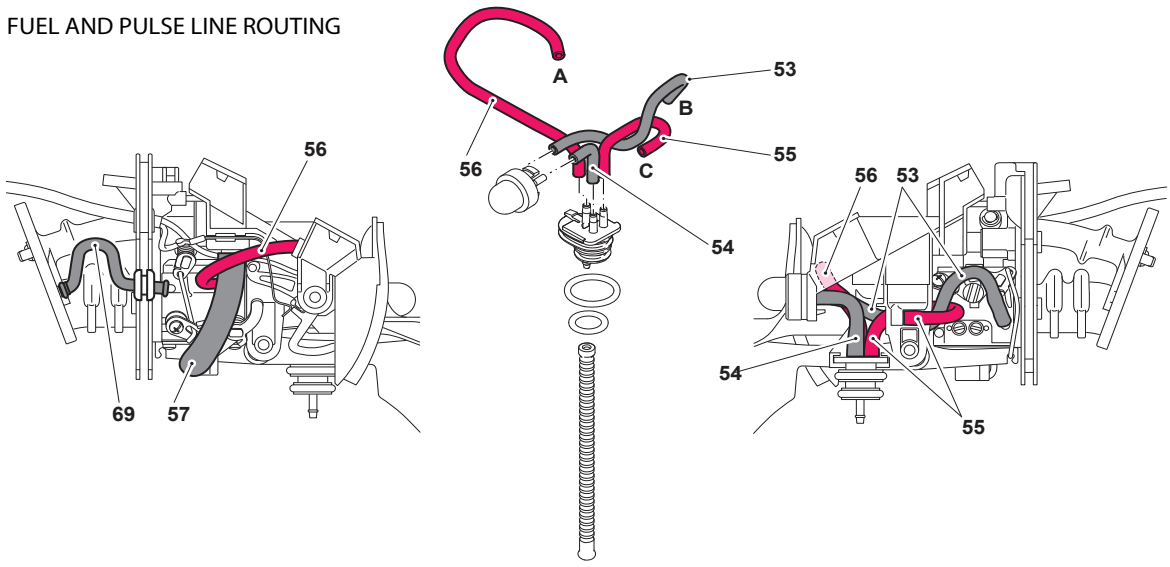


Products with multiple versions are listed in subsiding order with the newest version on top not indented.

| Section | Fig. No. | Part No. | Description | EK6101 | PC-6114 | Tech Bulletin | Notes |
|---------|----------|-------------|----------------------------|--------|---------|---------------|-------------------|
| 1 | 174 | 963-601-240 | FELT | 1 | 1 | | |
| 2 | 27 | 980-115-898 | LABEL | 1 | 1 | | |
| 2 | 27 | 980-115-809 | LABEL | 1 | 1 | | US WARNING SPARKS |
| 2 | 34 | 143451-5 | FILTER COVER ASSY. | 1 | 1 | | |
| 2 | 34 | 315-118-050 | FILTER COVER ASSY. | 1 | 1 | | |
| 2 | 35 | 266947-0 | SCREW | 2 | 2 | | M5X14 |
| 2 | 35 | 908-605-145 | SCREW | 2 | 2 | | M5X14 |
| 2 | 36 | 980-115-644 | LABEL, SAFETY INSTRUCTIONS | 1 | 1 | | USA |
| 2 | 37 | 980-115-645 | LABEL, WARNING SYMBOLS | 1 | 1 | | |
| 2 | 39 | 424789-0 | AIR FILTER INSERT | 1 | 1 | | |
| 2 | 39 | 315-173-010 | AIR FILTER INSERT | 1 | 1 | | |
| 2 | 40 | 143490-5 | HOOD CPL. | 1 | | | MAKITA |
| 2 | 40 | 315-118-640 | HOOD CPL. | 1 | | | MAKITA |
| 2 | 40 | 315-118-040 | HOOD CPL. | | 1 | | DOLMAR |
| 2 | 41 | 266605-8 | H.L. SOCKET HEAD BOLT | 5 | 5 | | |
| 2 | 41 | 908-005-165 | H.L. SOCKET HEAD BOLT | 5 | 5 | | M5X16 |
| 2 | 42 | 264108-6 | SQUARE NUT | 2 | 2 | | M5, SW10 |
| 2 | 42 | 038-111-060 | SQUARE NUT | 2 | 2 | | M5, SW10 |
| 2 | 43 | 422201-4 | INNER FILTER | 1 | 1 | C3850 | |
| 2 | 43 | 315-173-020 | INNER FILTER | 1 | 1 | | |



FUEL AND PULSE LINE ROUTING

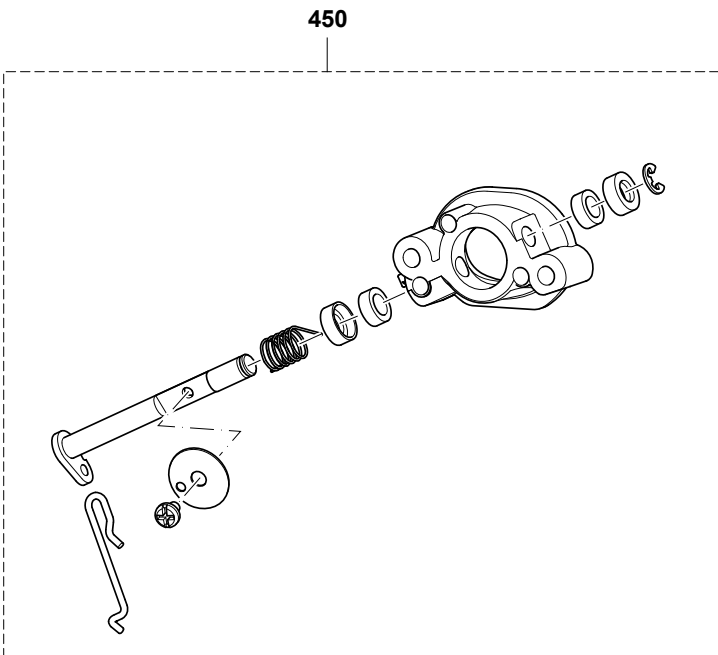
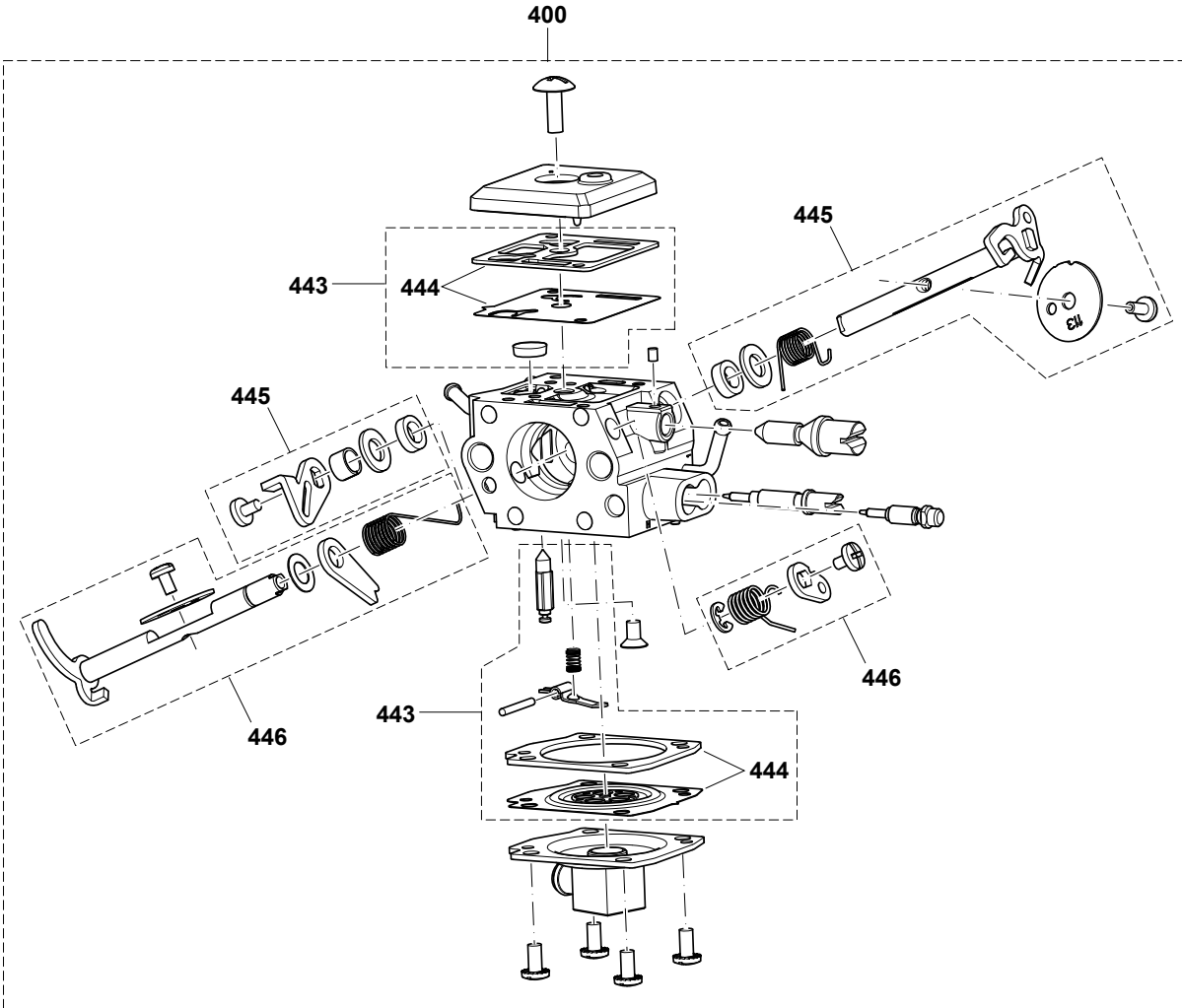


Products with multiple versions are listed in subsiding order with the newest version on top not indented.

| Section | Fig. No. | Part No. | Description | EK6101 | PC-6114 | Tech Bulletin | Notes |
|---------|----------|-------------|---------------------------|--------|---------|---------------|-------------------------------------|
| 2 | 179 | 980-115-855 | LABEL, START PROCEDURE | 1 | 1 | | |
| 3 | 44 | 456291-5 | INTAKE MANIFOLD | 1 | 1 | | |
| 3 | 44 | 315-171-010 | INTAKE MANIFOLD | 1 | 1 | | |
| 3 | 45 | 315-146-010 | CONTACT SPRING | 1 | 1 | | |
| 3 | 46 | 456292-3 | CHOKE LEVER | 1 | 1 | | |
| 3 | 46 | 315-146-021 | CHOKE LEVER | 1 | 1 | | |
| 3 | 46 | 315-146-020 | CHOKE LEVER | 1 | 1 | | |
| 3 | 47 | 264119-1 | HEXAGONAL NUT WITH COLLAR | 4 | 4 | | |
| 3 | 47 | 175-131-300 | HEXAGONAL NUT WITH COLLAR | 4 | 4 | | |
| 3 | 48 | 315-117-011 | CATCH LEVER | 1 | 1 | | |
| 3 | 49 | 315-117-030 | SPRING | 1 | 1 | | |
| 3 | 50 | 315-117-020 | THROTTLE LEVER | 1 | 1 | | |
| 3 | 51 | 326621-3 | THROTTLE LINKAGE | 1 | 1 | | |
| 3 | 51 | 315-117-040 | THROTTLE LINKAGE | 1 | 1 | | |
| 3 | 52 | 168398-2 | PRIMER | 1 | 1 | | PRIMER |
| 3 | 52 | 010-155-011 | PRIMER | 1 | 1 | | PRIMER |
| 3 | 53 | 965-452-090 | TUBE | 1 | 1 | | 2,5/5,5mm X1M L=122mm |
| 3 | 54 | 422067-2 | TUBE | 1 | 1 | | 2,5/5,5mm L=40mm |
| 3 | 54 | 965-452-090 | TUBE | 1 | 1 | | 2,5/5,5mm L=40mm |
| 3 | 55 | 965-452-090 | TUBE | 1 | 1 | | 2,5/5,5mm X1M L=84mm |
| 3 | 56 | 965-452-660 | TUBE | 1 | 1 | | 5,6/3mmX1M EPA CODE, RED L=200mm |
| 3 | 57 | 965-452-401 | TUBE | 1 | 1 | | 10X6 L=82MM |
| 3 | 58 | 346956-6 | GASKET INTAKE MANIFOLD | 1 | 1 | | |
| 3 | 58 | 315-155-020 | GASKET INTAKE MANIFOLD | 1 | 1 | | |
| 3 | 59 | 346955-8 | GASKET AIR VALVE | 1 | 1 | | |
| 3 | 59 | 315-155-010 | GASKET AIR VALVE | 1 | 1 | | |
| 3 | 60 | 315-114-080 | INTERMEDIATE WALL CPL. | 1 | 1 | | |
| 3 | 61 | 315-131-130 | CLIP | 1 | 1 | | |
| 3 | 62 | 315-173-050 | FOAM-INSERT | 1 | 1 | | |
| 3 | 63 | 422641-6 | INTAKE FLANGE GASKET | 1 | 1 | C20003 | |
| 3 | 64 | 424777-7 | SUCTION PIPE | 2 | 2 | | |

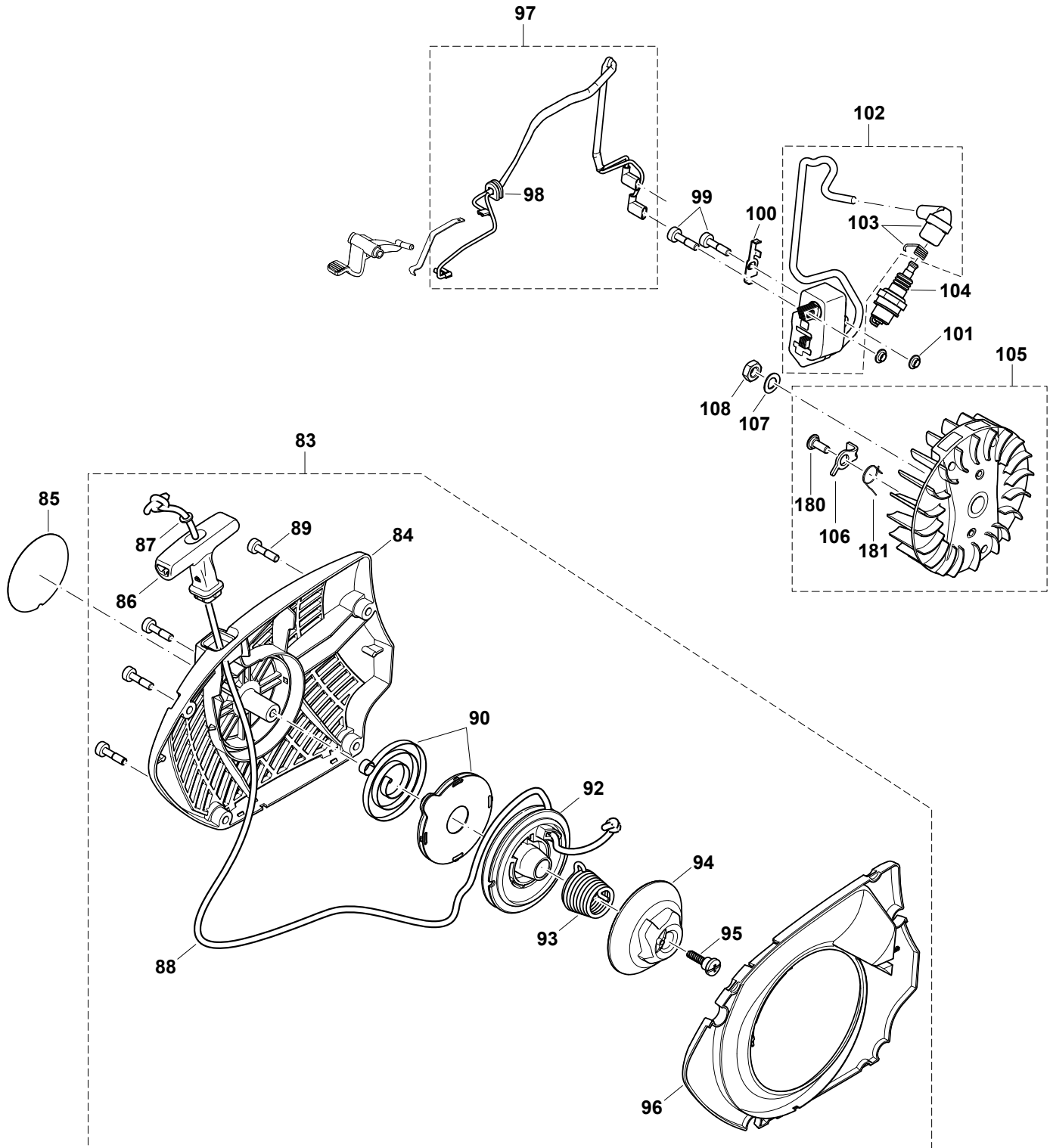
Products with multiple versions are listed in subsiding order with the newest version on top not indented.

| Section | Fig. No. | Part No. | Description | EK6101 | PC-6114 | Tech Bulletin | Notes |
|---------|----------|-------------|----------------------------|--------|---------|---------------|--------------------|
| 3 | 64 | 315-173-040 | SUCTION PIPE | 2 | 2 | | |
| 3 | 65 | 346867-5 | INSERT FOR SUCTION HOSE | 1 | 1 | | |
| 3 | 65 | 024-131-032 | INSERT FOR SUCTION HOSE | 1 | 1 | | |
| 3 | 66 | 424778-5 | SUCTION HOSE | 1 | 1 | | |
| 3 | 66 | 315-131-031 | SUCTION HOSE | 1 | 1 | | |
| 3 | 66 | 315-131-030 | SUCTION HOSE | 1 | 1 | | |
| 3 | 67 | 346413-4 | INSERT | 1 | 1 | | |
| 3 | 67 | 185-131-020 | INSERT | 1 | 1 | | |
| 3 | 67 | 181-131-021 | INSERT | 1 | 1 | | |
| 3 | 68 | 143439-5 | AIR HOSE CPL. | 1 | 1 | | |
| 3 | 68 | 315-131-102 | AIR HOSE CPL. | 1 | 1 | | |
| 3 | 68 | 315-131-100 | AIR HOSE CPL. | 1 | 1 | | |
| 3 | 69 | 424795-5 | IMPULSE LINE | 1 | 1 | | |
| 3 | 69 | 315-131-120 | IMPULSE LINE | 1 | 1 | | |
| 3 | 70 | 001-131-040 | NIPPLE | 1 | 1 | | |
| 3 | 71 | 908-405-145 | SCREW | 2 | 2 | | M5X14 |
| 3 | 72 | 908-405-145 | SCREW | 2 | 2 | | M5X14 |
| 3 | 73 | 315-179-021 | LEAD VALVE | 1 | 1 | | |
| 3 | 74 | 315-179-010 | VALVE STOPPER | 1 | 1 | | |
| 3 | 75 | 908-004-085 | SCREW | 1 | 1 | | M4X8 INNEN6RD S LK |
| 3 | 76 | 346959-0 | COOLING PLATE | 1 | 1 | | |
| 3 | 76 | 315-174-110 | COOLING PLATE | 1 | 1 | | |
| 3 | 77 | 346876-4 | GASKET | 1 | 1 | | |
| 3 | 77 | 395-174-120 | GASKET | 1 | 1 | | |
| 3 | 78 | 161392-3 | MUFFLER CPL. | 1 | 1 | | |
| 3 | 78 | 315-174-100 | MUFFLER CPL. | 1 | 1 | | |
| 3 | 79 | 315-174-150 | SPARK ARRESTER SCREEN CPL. | 1 | 1 | | |
| 3 | 80 | 266605-8 | H.L. SOCKET HEAD BOLT | 3 | 3 | | M5X16 |
| 3 | 80 | 908-005-165 | H.L. SOCKET HEAD BOLT | 3 | 3 | | M5X16 |
| 3 | 82 | 264108-6 | SQUARE NUT | 1 | 1 | | M5, SW10 |



Products with multiple versions are listed in subsiding order with the newest version on top not indented.

| Section | Fig. No. | Part No. | Description | EK6101 | PC-6114 | Tech Bulletin | Notes |
|---------|----------|-------------|------------------------|--------|---------|---------------|---------------------------------------|
| 3 | 82 | 038-111-060 | SQUARE NUT | 1 | 1 | | M5, SW10 |
| 4 | 400 | 161395-7 | CARBURETOR CPL. | 1 | 1 | | |
| 4 | 400 | 315-153-102 | CARBURETOR CPL. | 1 | 1 | | DM21, DD - EU, USA (REGULATED MARKET) |
| 4 | 443 | 315-153-681 | REPAIR KIT | 1 | 1 | | |
| 4 | 443 | 315-153-680 | REPAIR KIT | 1 | 1 | | |
| 4 | 444 | 315-153-691 | GASKET & DIAPHRAGM KIT | 1 | 1 | | |
| 4 | 444 | 315-153-690 | GASKET & DIAPHRAGM KIT | 1 | 1 | | |
| 4 | 445 | 315-153-631 | THROTTLE KIT | 1 | 1 | | |
| 4 | 446 | 315-153-640 | CHOKE KIT | 1 | 1 | | |

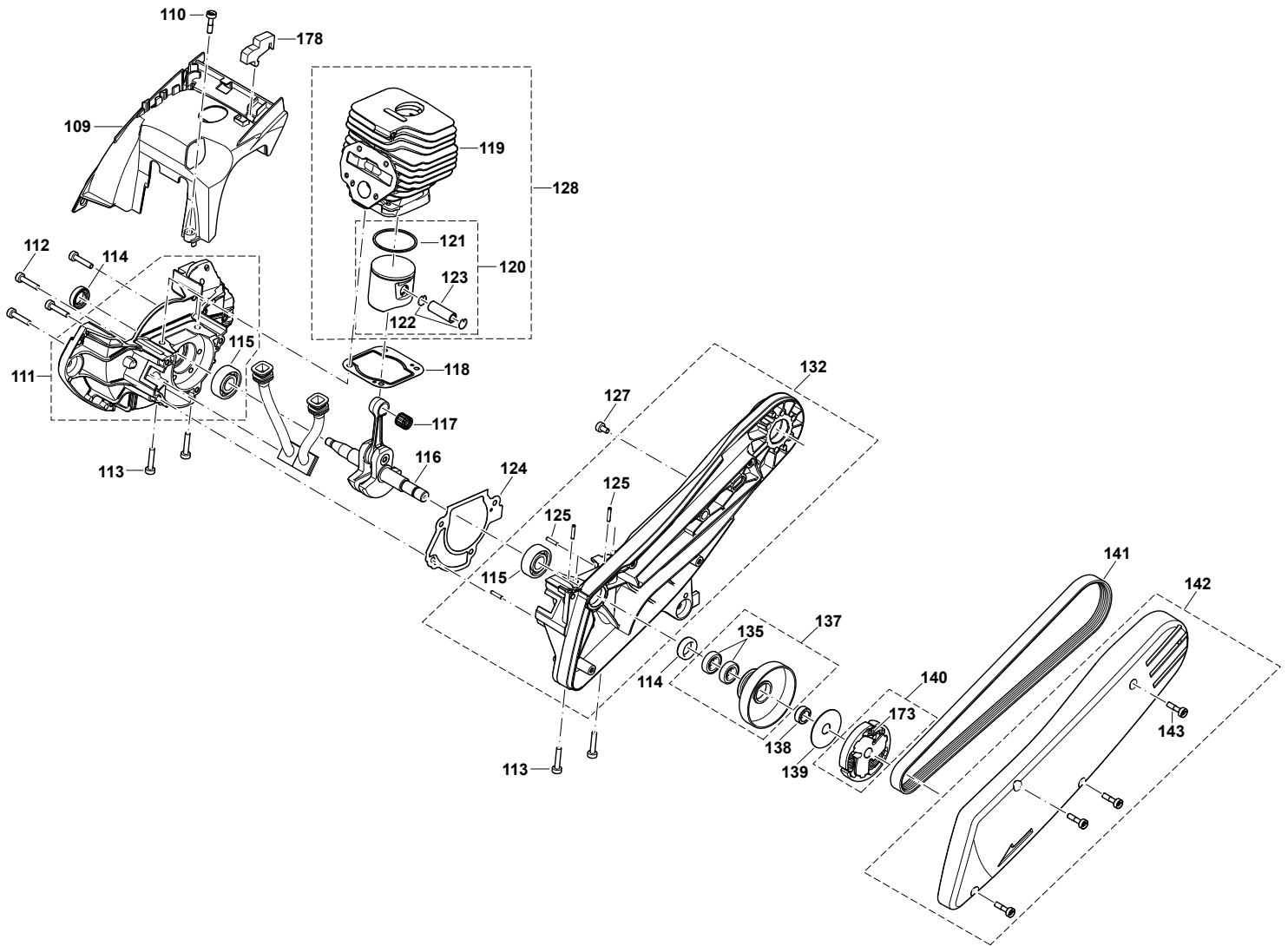


Products with multiple versions are listed in subsiding order with the newest version on top not indented.

| Section | Fig. No. | Part No. | Description | EK6101 | PC-6114 | Tech Bulletin | Notes |
|---------|----------|-------------|--------------------------|--------|---------|---------------|-------------|
| 4 | 450 | 315-153-700 | AIR FLAP CPL. | 1 | 1 | | |
| 5 | 83 | 143454-9 | STARTER ASSY. BLUE | 1 | | | |
| 5 | 83 | 315-160-602 | STARTER ASSY. BLUE | 1 | | | MAKITA |
| 5 | 83 | 315-160-601 | STARTER ASSY. BLUE | 1 | | | MAKITA |
| 5 | 83 | 315-160-600 | STARTER ASSY. BLUE | 1 | | | MAKITA |
| 5 | 83 | 143456-5 | STARTER ASSY. RED | | 1 | | DOLMAR |
| 5 | 83 | 315-160-102 | STARTER ASSY. RED | | 1 | | DOLMAR |
| 5 | 83 | 315-160-101 | STARTER ASSY. RED | | 1 | | DOLMAR |
| 5 | 84 | 315-160-630 | STARTER ASSY. BLUE | 1 | | | MAKITA |
| 5 | 84 | 315-160-030 | STARTER ASSY. RED | | 1 | | DOLMAR |
| 5 | 85 | 980-115-742 | LABEL | | 1 | | DOLMAR |
| 5 | 86 | 452458-3 | STARTER KNOB | 1 | 1 | | |
| 5 | 86 | 181-164-010 | STARTER KNOB | 1 | 1 | | |
| 5 | 87 | 267821-5 | DISC | 1 | 1 | | |
| 5 | 87 | 928-405-000 | DISC | 1 | 1 | | |
| 5 | 88 | 394-164-020 | STARTER ROPE BLACK | 1 | 1 | | Ø4 X 1000MM |
| 5 | 89 | 266607-4 | SCREW | 4 | 4 | | M5X20 |
| 5 | 89 | 908-605-205 | SCREW | 4 | 4 | | M5X20 |
| 5 | 90 | 140587-1 | REWIND SPRING IN HOUSING | 1 | 1 | | |
| 5 | 90 | 181-163-050 | REWIND SPRING IN HOUSING | 1 | 1 | | |
| 5 | 92 | 456308-4 | CABLE DRUM | 1 | 1 | | |
| 5 | 92 | 315-162-020 | CABLE DRUM | 1 | 1 | | |
| 5 | 93 | 234193-3 | SPRING EASY-START | 1 | 1 | | |
| 5 | 93 | 181-163-080 | SPRING EASY-START | 1 | 1 | | |
| 5 | 94 | 456309-2 | STARTER WHEEL | 1 | 1 | | |
| 5 | 94 | 315-163-090 | STARTER WHEEL | 1 | 1 | | |
| 5 | 95 | 266616-3 | SCREW | 1 | 1 | | |
| 5 | 95 | 181-163-095 | SCREW | 1 | 1 | | |
| 5 | 96 | 315-160-020 | AIR GUIDE PLATE | 1 | 1 | | |
| 5 | 97 | 315-147-010 | SHORT-CIRCUIT CABLE | 1 | 1 | | |
| 5 | 98 | 965-401-016 | RUBBER BUSH | 1 | 1 | | |
| 5 | 99 | 266472-1 | SCREW | 2 | 2 | | |

Products with multiple versions are listed in subsiding order with the newest version on top not indented.

| Section | Fig. No. | Part No. | Description | EK6101 | PC-6114 | Tech Bulletin | Notes |
|---------|----------|-------------|----------------------|--------|---------|---------------|-----------------|
| 5 | 99 | 908-805-205 | SCREW | 2 | 2 | | M5X20 |
| 5 | 100 | 315-143-110 | EARTH SHEET | 1 | 1 | | |
| 5 | 101 | 451462-9 | ISOLATING WASHER | 2 | 2 | | |
| 5 | 101 | 195-143-031 | ISOLATING WASHER | 2 | 2 | | |
| 5 | 102 | 123479-9 | IGNITION COIL, CPL. | 1 | 1 | | |
| 5 | 102 | 315-143-100 | IGNITION COIL, CPL. | 1 | 1 | | |
| 5 | 103 | 957-604-260 | SPARK PLUG CAP CPL. | 1 | 1 | | |
| 5 | 104 | 965-603-021 | SPARK PLUG | 1 | 1 | | NGK BMPR7A .020 |
| 5 | 105 | 143450-7 | FLYWHEEL ASSY. | 1 | 1 | | |
| 5 | 105 | 315-141-100 | FLYWHEEL ASSY. | 1 | 1 | | |
| 5 | 106 | 346953-2 | STARTER RATCHET | 2 | 2 | | |
| 5 | 106 | 315-166-020 | STARTER RATCHET CPL. | 2 | 2 | | |
| 5 | 106 | 315-166-020 | STARTER RATCHET CPL. | 2 | 2 | | |
| 5 | 107 | 267822-3 | SPRING WASHER | 1 | 1 | | B8 |
| 5 | 108 | 264022-6 | HEXAGONAL NUT | 1 | 1 | | M8X1 |
| 5 | 108 | 920-308-024 | HEXAGONAL NUT | 1 | 1 | | M8X1 |
| 5 | 180 | 266626-0 | SCREW | 2 | 2 | | |

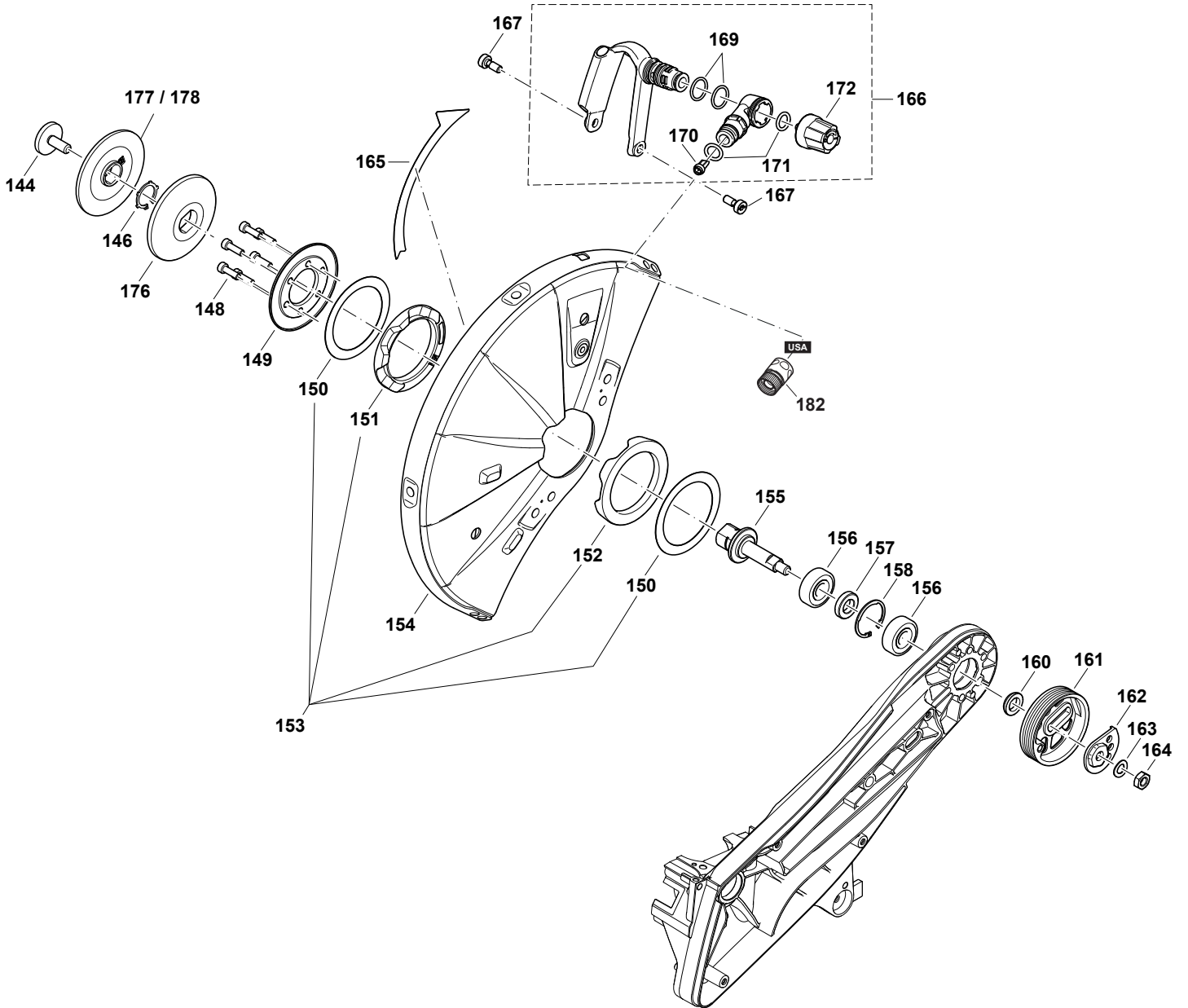


Products with multiple versions are listed in subsiding order with the newest version on top not indented.

| Section | Fig. No. | Part No. | Description | EK6101 | PC-6114 | Tech Bulletin | Notes |
|---------|----------|-------------|----------------------------|--------|---------|---------------|------------------------|
| 5 | 181 | 233629-9 | SPRING | 2 | 2 | | |
| 6 | 109 | 315-131-110 | COOLING HOOD | 1 | 1 | | |
| 6 | 110 | 266607-4 | SCREW | 1 | 1 | | M5X20 |
| 6 | 111 | 143437-9 | CRANKCASE MAGN. SIDE ASSY. | 1 | 1 | | |
| 6 | 111 | 315-111-110 | CRANKCASE MAGN. SIDE ASSY. | 1 | 1 | | |
| 6 | 112 | 908-005-255 | PAN HEAD ALLEN SCREW | 4 | 4 | | M5X25 |
| 6 | 113 | 908-005-255 | PAN HEAD ALLEN SCREW | 4 | 4 | | M5X25 |
| 6 | 114 | 213814-0 | RADIAL RING | 2 | 2 | | Ø15/24X7 |
| 6 | 114 | 962-900-052 | RADIAL RING | 2 | 2 | | Ø15/24X7 |
| 6 | 115 | 211154-0 | BALL BEARING (USE GLUE) | 2 | 2 | | 6202 |
| 6 | 115 | 960-102-152 | BALL BEARING (USE GLUE) | 2 | 2 | | 6202 |
| 6 | 115 | 960-102-159 | BALL BEARING (USE GLUE) | 2 | 2 | | 6202 |
| 6 | 116 | 315-120-011 | CRANKSHAFT ASS'Y | 1 | 1 | | |
| 6 | 117 | 212164-0 | NEEDLE CAGE | 1 | 1 | | |
| 6 | 117 | 962-210-111 | NEEDLE CAGE | 1 | 1 | | |
| 6 | 118 | 346950-8 | GASKET | 1 | 1 | | |
| 6 | 118 | 315-131-020 | GASKET | 1 | 1 | | |
| 6 | 119 | 319375-9 | CYLINDER | 1 | 1 | | |
| 6 | 119 | 315-131-011 | CYLINDER | 1 | 1 | | |
| 6 | 119 | 315-131-010 | CYLINDER | 1 | 1 | | D47 |
| 6 | 120 | 315-132-200 | PISTON CPL. | 1 | 1 | | D47 |
| 6 | 120 | 315-132-101 | PISTON CPL. | 1 | 1 | | D47 |
| 6 | 121 | 257384-9 | PISTON RING | 1 | 1 | | D47 |
| 6 | 121 | 325-132-050 | PISTON RING | 1 | 1 | | D47 |
| 6 | 121 | 315-132-020 | PISTON RING | 1 | 1 | | D47 |
| 6 | 122 | 315-132-040 | CIRCLIP | 2 | 2 | | 11 |
| 6 | 123 | 315-132-050 | PISTON PIN | 1 | 1 | | |
| 6 | 124 | 346966-3 | CRANK CASE GASKET | 1 | 1 | | |
| 6 | 124 | 315-111-030 | CRANK CASE GASKET | 1 | 1 | | |
| 6 | 125 | 936-430-160 | CLAMPING PIN | 4 | 4 | | 3X16 |
| 6 | 127 | 908-005-095 | SCREW | 1 | 1 | | M5X9 |
| 6 | 128 | 183J68-2 | CYLINDER / PISTON CPL. | 1 | 1 | Y07617 | INC 119, 121, 123, 122 |

Products with multiple versions are listed in subsiding order with the newest version on top not indented.

| Section | Fig. No. | Part No. | Description | EK6101 | PC-6114 | Tech Bulletin | Notes |
|---------|----------|-------------|--------------------------|--------|---------|---------------|------------------------|
| 6 | 128 | 957-130-315 | CYLINDER / PISTON CPL. | 1 | 1 | | INC 119, 121, 123, 122 |
| 6 | 132 | 143449-2 | CRANKCASE CL. SIDE ASSY. | 1 | 1 | | |
| 6 | 132 | 315-111-231 | CRANKCASE CL. SIDE ASSY. | 1 | 1 | | |
| 6 | 132 | 315-111-230 | CRANKCASE CL. SIDE ASSY. | 1 | 1 | | 350 (14") |
| 6 | 135 | 211168-9 | BALL BEARING | 2 | 2 | | 6901 |
| 6 | 135 | 960-124-126 | BALL BEARING | 2 | 2 | | 6901 |
| 6 | 137 | 161387-6 | CLUTCH DRUM CPL. | 1 | 1 | | |
| 6 | 137 | 315-223-100 | CLUTCH DRUM CPL. | 1 | 1 | | |
| 6 | 137 | 315-223-020 | CLUTCH DRUM CPL. | 1 | 1 | | |
| 6 | 138 | 315-183-010 | SPACER | 1 | 1 | | |
| 6 | 139 | 267389-1 | DISC | 1 | 1 | | 44,5X1X12 |
| 6 | 139 | 001-182-042 | DISC | 1 | 1 | | 44,5X1X12 |
| 6 | 140 | 168510-4 | CLUTCH ASSY. | 1 | 1 | | |
| 6 | 140 | 181-180-200 | CLUTCH ASSY. | 1 | 1 | | |
| 6 | 141 | 424799-7 | V-BELT | 1 | 1 | | 6PJ812 (14") |
| 6 | 141 | 965-300-510 | V-BELT | 1 | 1 | | 6PJ812 (14") |
| 6 | 142 | 143438-7 | BELT COVER ASS'Y | 1 | | | MAKITA (14") |
| 6 | 142 | 315-211-651 | BELT COVER ASS'Y | 1 | | | MAKITA (14") |
| 6 | 142 | 315-211-201 | BELT COVER ASS'Y | | 1 | Discontinued | DOLMAR (14") |
| 6 | 142 | 315-211-200 | BELT COVER ASS'Y | | 1 | Discontinued | DOLMAR (14") |
| 6 | 143 | 266607-4 | SCREW | 4 | 4 | | M5X20 |
| 6 | 173 | 181-184-010 | SPRING | 3 | 3 | | |

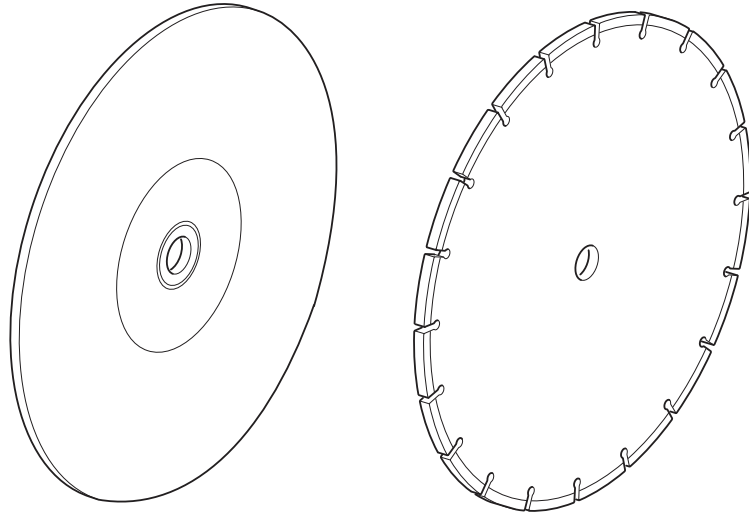


Products with multiple versions are listed in subsiding order with the newest version on top not indented.

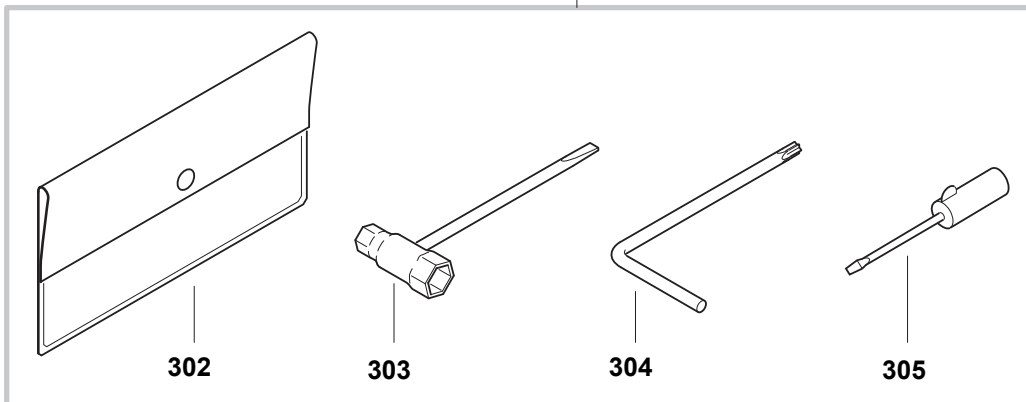
| Section | Fig. No. | Part No. | Description | EK6101 | PC-6114 | Tech Bulletin | Notes |
|----------------|-----------------|-----------------|---------------------------|---------------|----------------|----------------------|------------------|
| 6 | 178 | 315-114-180 | STOPPER | 1 | 1 | | |
| 7 | 144 | 266976-3 | HEXAGON HEAD BOLT | 1 | 1 | | M8X25 |
| 7 | 144 | 266690-1 | HEXAGON HEAD BOLT | 1 | 1 | | M8X25 |
| 7 | 144 | 994-290-250 | HEXAGON HEAD BOLT | 1 | 1 | | M8X25 |
| 7 | 146 | 234389-6 | RETAINING RING | 1 | 1 | | 20X1,2 |
| 7 | 146 | 929-420-120 | RETAINING RING | 1 | 1 | | 20X1,2 |
| 7 | 148 | 251577-0 | SCREW | 6 | 6 | C20003 | M5X16 AUG 2020> |
| 7 | 148 | 908-405-145 | SCREW | 6 | 6 | | M5X14 >JULY 2020 |
| 7 | 149 | 315-342-010 | PRESSURE RING | 1 | 1 | | |
| 7 | 150 | 424792-1 | SLIDING DISC | 2 | 2 | | |
| 7 | 150 | 315-342-030 | SLIDING DISC | 2 | 2 | | |
| 7 | 151 | 315-342-050 | RUBBER RING INT. | 1 | 1 | | |
| 7 | 152 | 315-342-040 | RUBBER RING EXT. | 1 | 1 | | |
| 7 | 153 | 957-342-030 | PROT. HOOD MOUNTING, CPL. | 1 | 1 | | |
| 7 | 154 | 143459-9 | PROTECTION HOOD ASSY. | 1 | 1 | | |
| 7 | 154 | 315-341-201 | PROTECTION HOOD ASSY. | 1 | 1 | | |
| 7 | 154 | 315-341-200 | PROTECTION HOOD ASSY. | 1 | 1 | | 350CM/14" |
| 7 | 155 | 326623-9 | AXLE | 1 | 1 | | |
| 7 | 155 | 315-228-031 | AXLE | 1 | 1 | | |
| 7 | 155 | 315-228-030 | AXLE | 1 | 1 | | 20,0 |
| 7 | 156 | 210148-2 | BALL BEARING | 2 | 2 | | 6201 LLU |
| 7 | 156 | 960-102-126 | BALL BEARING | 2 | 2 | | 6201 LLU |
| 7 | 157 | 315-228-021 | SPACER | 1 | 1 | | |
| 7 | 158 | 929-232-120 | RETAINING RING | 1 | 1 | | 32X1,2 |
| 7 | 160 | 216217-7 | WASHER | 1 | 1 | | |
| 7 | 160 | 315-221-041 | WASHER | 1 | 1 | | |
| 7 | 161 | 222188-8 | BELT PULLEY | 1 | 1 | | 14" |
| 7 | 161 | 315-221-121 | BELT PULLEY | 1 | 1 | | 14" |
| 7 | 161 | 315-221-120 | BELT PULLEY | 1 | 1 | | 14" |
| 7 | 162 | 310675-0 | ECCENTRIC | 1 | 1 | | |
| 7 | 162 | 315-221-030 | ECCENTRIC | 1 | 1 | | |
| 7 | 163 | 267822-3 | SPRING WASHER | 1 | 1 | | B8 |

Products with multiple versions are listed in subsiding order with the newest version on top not indented.

| Section | Fig. No. | Part No. | Description | EK6101 | PC-6114 | Tech Bulletin | Notes |
|----------------|-----------------|-----------------|----------------------|---------------|----------------|----------------------|--------------|
| 7 | 163 | 926-208-001 | SPRING WASHER | 1 | 1 | | B8 |
| 7 | 164 | 264022-6 | HEXAGONAL NUT | 1 | 1 | | M8X1 |
| 7 | 164 | 920-308-024 | HEXAGONAL NUT | 1 | 1 | | M8X1 |
| 7 | 165 | 980-115-770 | CAUTION LABEL | 1 | 1 | | 350/20/80 |
| 7 | 166 | 143452-3 | WATER ATTACHMENT KIT | 1 | 1 | | |
| 7 | 166 | 957-341-040 | WATER ATTACHMENT KIT | 1 | 1 | | |
| 7 | 167 | 266994-1 | JET SCREW | 2 | 2 | | |
| 7 | 167 | 315-341-140 | JET SCREW | 2 | 2 | | |
| 7 | 169 | 963-216-020 | O-RING | 2 | 2 | | 16X2 |
| 7 | 170 | 315-341-150 | WATER SUCTION FILTER | 1 | 1 | | |
| 7 | 171 | 963-211-025 | O-RING | 2 | 2 | | 11X2,5 |
| 7 | 172 | 315-341-130 | REGULATING SCREW | 1 | 1 | | |
| 7 | 176 | 319371-7 | PRESSURE DISC | 1 | 1 | | |
| 7 | 176 | 315-228-110 | PRESSURE DISC | 1 | 1 | | 20mm |
| 7 | 177 | 319371-7 | PRESSURE DISC | 1 | 1 | | 20mm |
| 7 | 177 | 315-228-110 | PRESSURE DISC | 1 | 1 | | 20mm |
| 7 | 178 | 319372-5 | PRESSURE DISC | 1 | 1 | | 25.4mm / 1" |
| 7 | 178 | 315-228-121 | PRESSURE DISC | 1 | 1 | | 25.4mm / 1" |
| 7 | 178 | 315-228-120 | PRESSURE DISC | 1 | 1 | | 25.4mm / 1" |



300



302

303

304

305

Products with multiple versions are listed in subsiding order with the newest version on top not indented.

| Section | Fig. No. | Part No. | Description | EK6101 | PC-6114 | Tech Bulletin | Notes |
|----------------|-----------------|-----------------|---------------------|---------------|----------------|----------------------|--------------|
| 7 | 182 | 123120-4 | COUPLING SLEEVE | 1 | 1 | | |
| 8 | 300 | 195488-8 | TOOL CPL. | 1 | 1 | | |
| 8 | 300 | 957-004-002 | TOOL CPL. | 1 | 1 | | |
| 8 | 302 | 950-004-002 | PLASTIK BAG | 1 | 1 | | Discontinued |
| 8 | 303 | 941-719-133 | UNIVERSAL WRENCH | 1 | 1 | | SW 13/19 MM |
| 8 | 304 | 782025-3 | ANGLED SCREW DRIVER | 1 | 1 | | T27 |
| 8 | 304 | 940-827-000 | ANGLED SCREW DRIVER | 1 | 1 | | T27 |
| 8 | 305 | 944-340-001 | SCREWDRIVER | 1 | 1 | | |