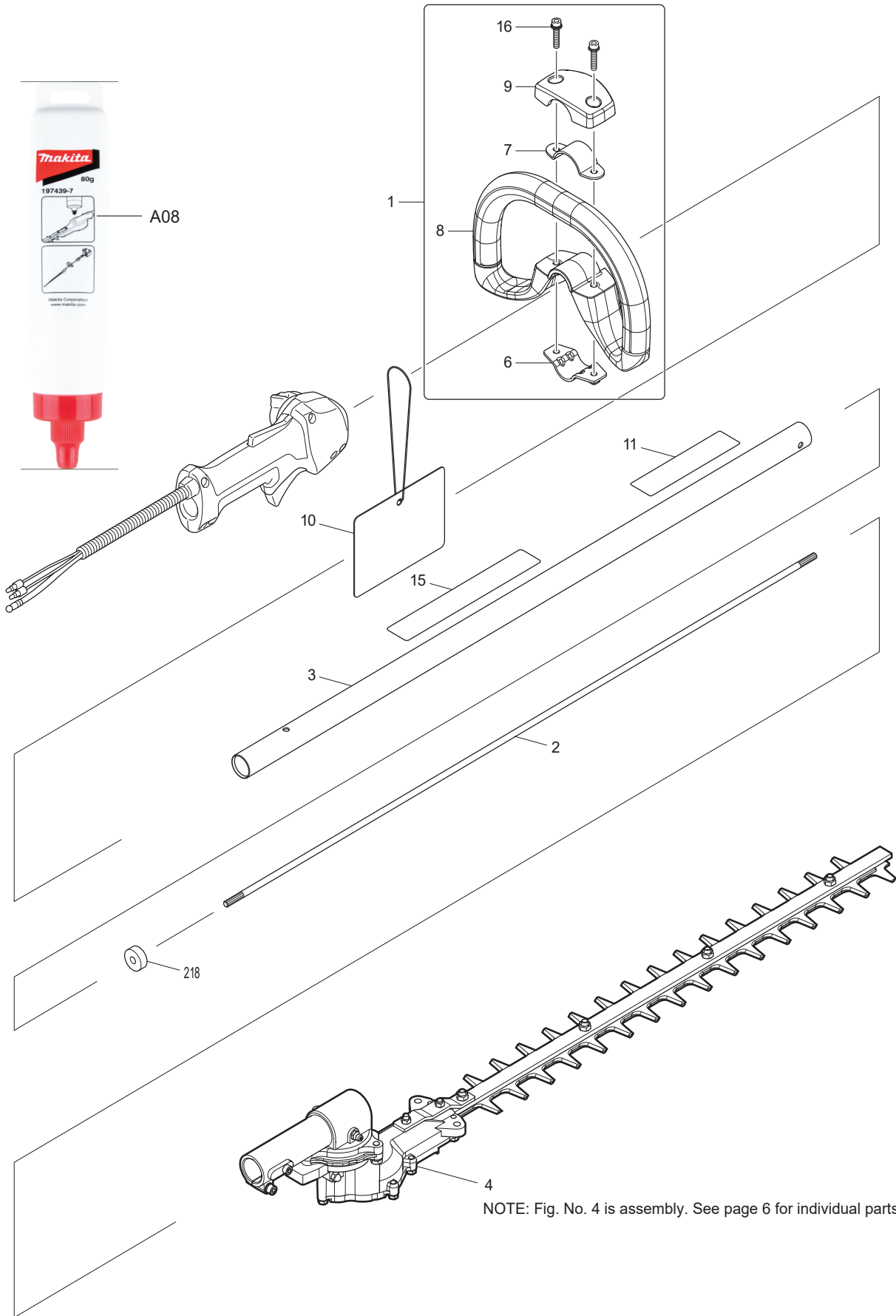


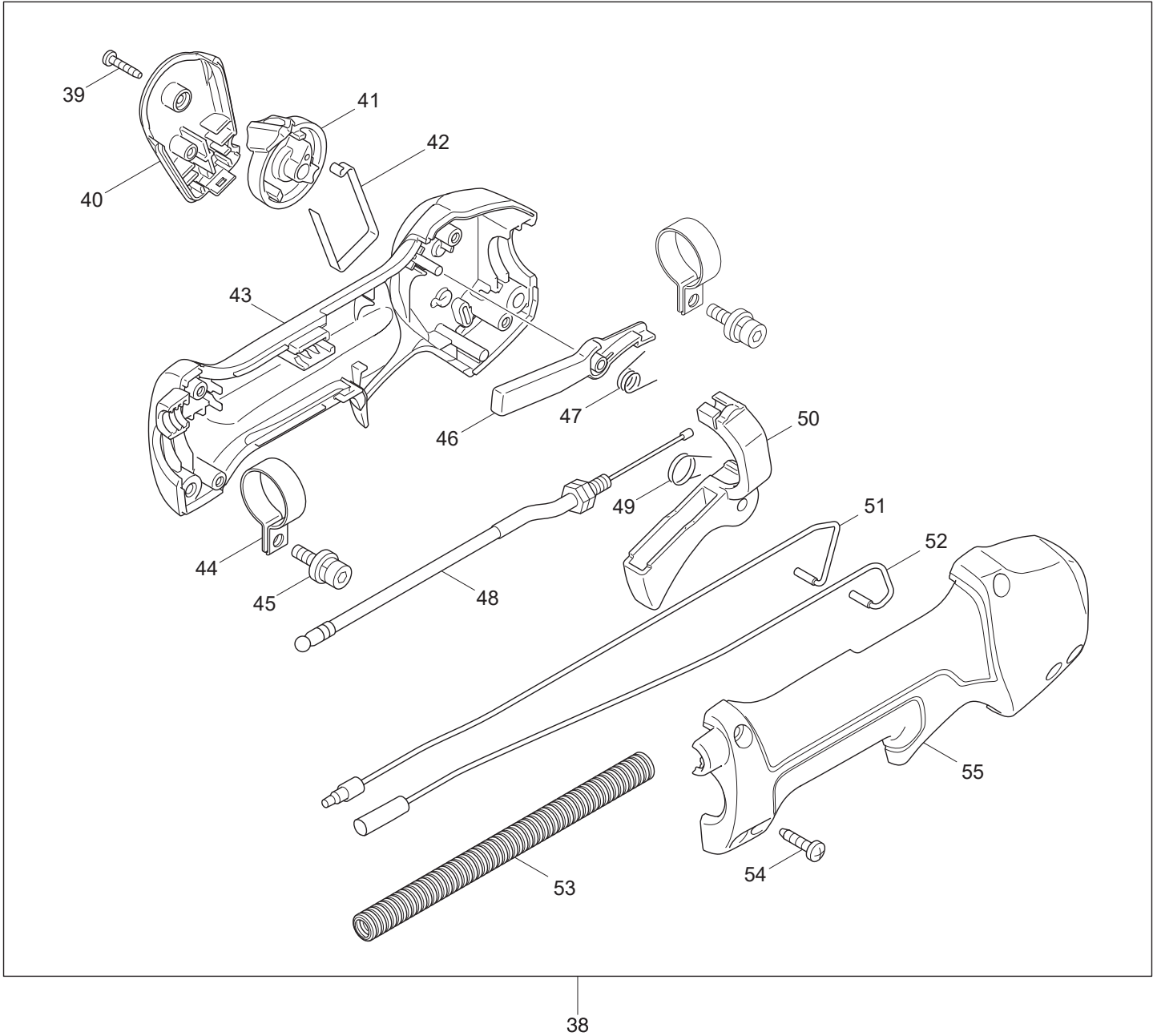


EN5550SH



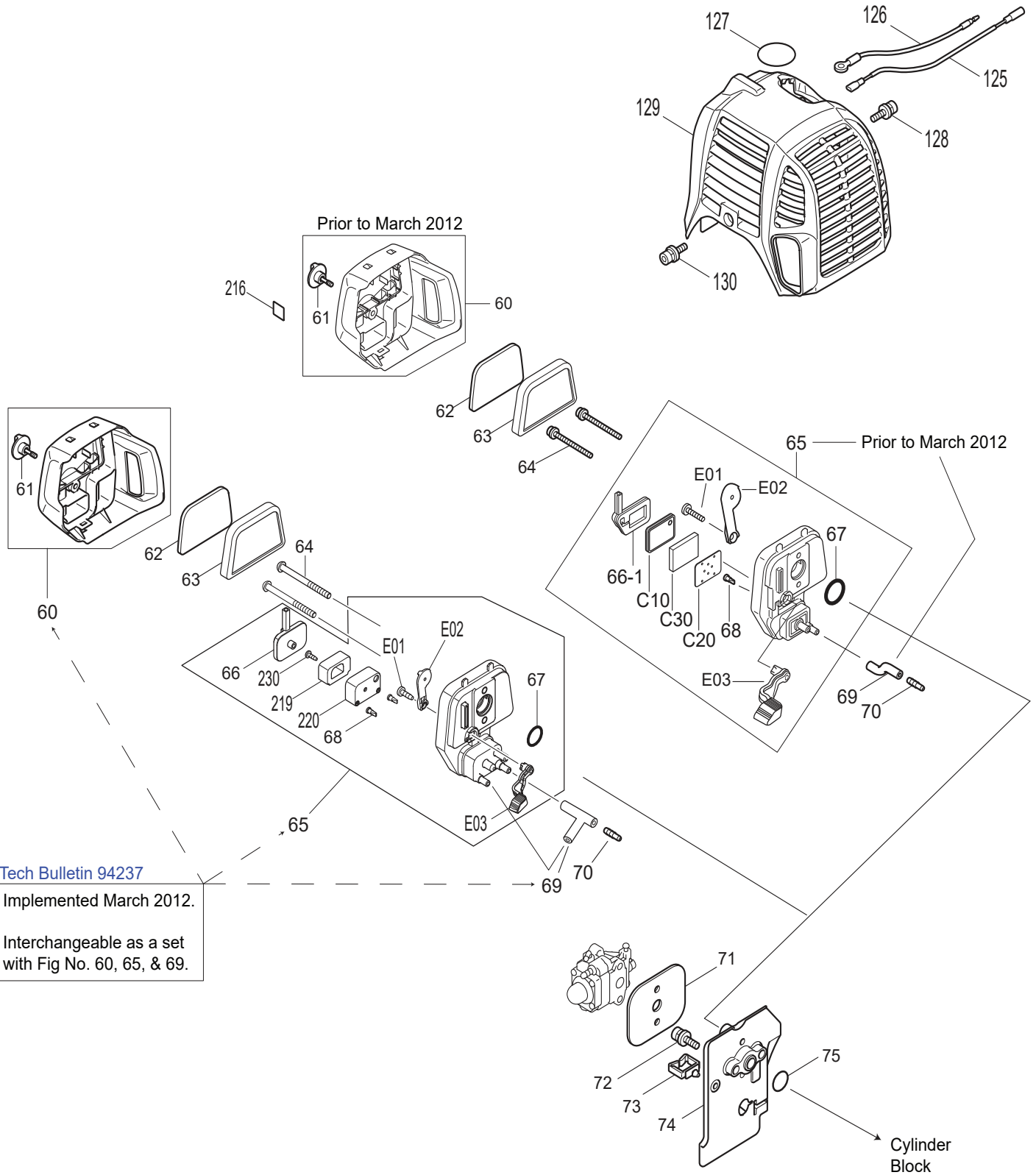
Products with multiple versions are listed in subsiding order with the newest version on top not indented.

Section	Fig. No.	Part No.	Description	EN5550SH	Tech Bulletin	Notes
1	1	195626-2	LOOP HANDLE SET	1		INC. 6-9,16
1	2	326036-4	SHAFT	1		
1	3	141149-8	SHAFT PIPE COMPLETE	1		
1	4	122999-0	TRIMMER HEAD ASSEMBLY	1		SEE SECTION 7 FOR IND PARTS
1	6	346467-1	PIPE CLAMP 24	1		
1	7	346468-9	PIPE CLAMP 33	1		
1	8	452841-4	LOOP HANDLE	1		
1	9	452843-0	CLAMP COVER B	1		
1	10	808143-0	INDICATION LABEL	1		
1	15	893813-4	CAUTION LABEL	1		
1	16	922243-3	HEX. SOCKET HEAD BOLT M5X25	2		
1	218	443170-6	FELT	1		
1	A08	197439-7	GEAR GREASE	1		



Products with multiple versions are listed in subsiding order with the newest version on top not indented.

Section	Fig. No.	Part No.	Description	EN5550SH	Tech Bulletin	Notes
2	38	125776-9	CONTROL LEVER ASSEMBLY	1		INC. 39-55
2	39	266130-9	TAPPING SCREW BIND PT 3X16	1		
2	40	451595-0	SWITCH COVER	1		
2	41	451594-2	SWITCH LEVER	1		
2	42	232251-9	LEAF SPRING	1		
2	43	188832-6	LEVER CASE SET	1		INC 55
2	44	346248-3	PIPE CLAMP 24	2		
2	45	922218-2	H.S.H.BOLT M5X14 WITH WR	2		
2	46	451593-4	LOCK LEVER	1		
2	47	233541-3	TORSION SPRING 7	1		
2	48	168571-4	CONTROL CABLE	1		
2	49	233540-5	TORSION SPRING 11	1		
2	50	455313-8	THROTTLE LEVER	1		
2	50	451592-6	THROTTLE LEVER	1		
2	51	638714-7	LEAD UNIT	1		
2	52	638713-9	LEAD UNIT	1		
2	53	452071-7	CORRUGATE TUBE	1		
2	54	266326-2	TAPPING SCREW 4X18	4		
2	55	188832-6	LEVER CASE SET	1		INC 43



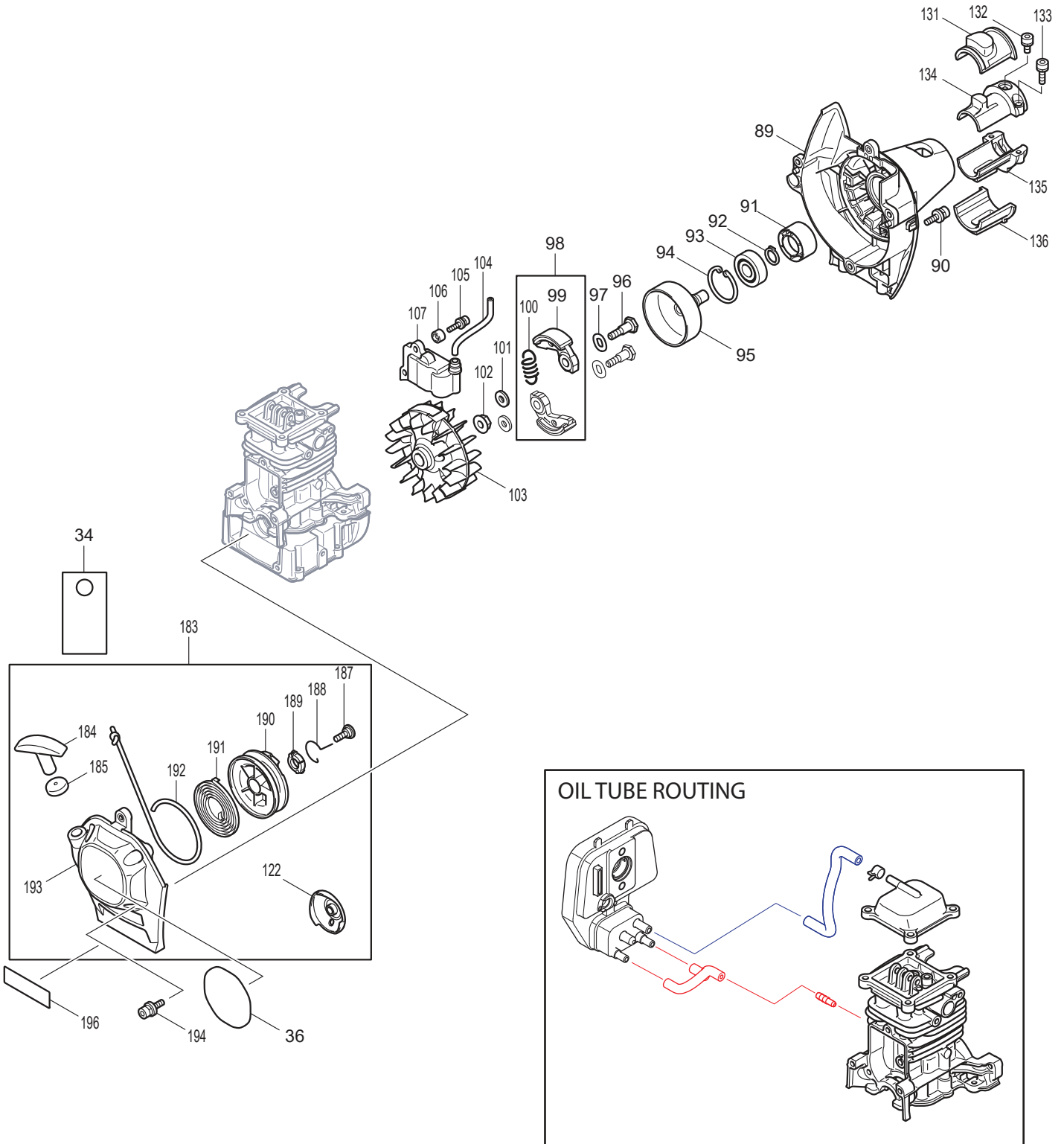
[Tech Bulletin 94237](#)
Implemented March 2012.
Interchangeable as a set
with Fig No. 60, 65, & 69.

Products with multiple versions are listed in subsiding order with the newest version on top not indented.

Section	Fig. No.	Part No.	Description	EN5550SH	Tech Bulletin	Notes
3	60	123499-3	CLEANER COVER ASS'Y	1	B1277	INC. 61
3	60	126202-1	CLEANER COVER ASS'Y	1	94237	INC. 61
3	60	125746-8	CLEANER COVER ASSEMBLY	1		INC. 61
3	61	265791-2	THUMB SCREW M4	1		
3	62	443171-4	AIR CLEANER ELEMENT	1		
3	63	443169-1	AIR CLEANER ELEMENT	1		
3	64	266618-9	H.S.BUTTON HEAD BOLT M5X60	2		
3	65	123501-2	CLEANER PLATE ASS'Y	1	B1277	INC E01-E03, 66-68, 219, 220, 230
3	65	126198-6	CLEANER PLATE ASS'Y	1	94237	
3	65	126004-5	CLEANER PLATE ASSEMBLY	1		INC. 66-68, C10-C30, E01-E03
3	C10	162322-7	SEPARATOR STOPPER	1		
3	C20	162325-1	SEPARATOR GASKET	1		
3	C30	352013-0	SEPARATOR NET	1		
3	66	162346-3	SEPARATOR PLATE	1		MAR 2012<
3	66-1	162324-3	SEPARATOR PLATE	1	94237	<FEB 2012
3	67	213540-1	O RING 15	1		
3	68	424316-3	CHECK VALVE	1		
3	69	422099-9	PIPE	1	94237	MAR 2012<
3	69	422062-2	PIPE	1		<FEB 2012
3	70	325665-0	JOINT PIPE	1		
3	71	442153-3	CARBURETOR GASKET	1		
3	72	266787-6	H.S.H.BOLT M5X18 WITH WR	2		
3	72	922228-9	H.S.H.BOLT M5X18 WITH WR	2		
3	73	451825-9	CLAMP	1		
3	74	451729-5	INSULATOR	1		
3	75	213547-7	O-RING 12	1		
3	125	638707-4	LEAD UNIT	1		
3	126	638708-2	LEAD UNIT	1		
3	128	922218-2	H.S.H.BOLT M5X14 WITH WR	1		
3	129	453266-5	CYLINDER COVER	1		
3	130	922218-2	H.S.H.BOLT M5X14 WITH WR	1		
3	216	800F73-7	INDICATION LABEL	1		
3	216	891985-9	INDICATION LABEL	1		
3	217	266427-6	TAPPING SCREW 4X12	1		

Products with multiple versions are listed in subsiding order with the newest version on top not indented.

Section	Fig. No.	Part No.	Description	EN5550SH	Tech Bulletin	Notes
3	219	352020-3	SEPARATOR MESH, EM2650LH	1		
3	220	453865-3	SEPARATOR CASE, EM2650LH	1		
3	C10	162322-7	SEPARATOR STOPPER	1		
3	C20	162325-1	SEPARATOR GASKET	1		
3	C30	352013-0	SEPARATOR NET	1		
3	E01	266427-6	TAPPING SCREW 4X12	1		
3	E02	452219-1	CHOKE PLATE	1		
3	E03	452220-6	CHOKE LEVER	1		

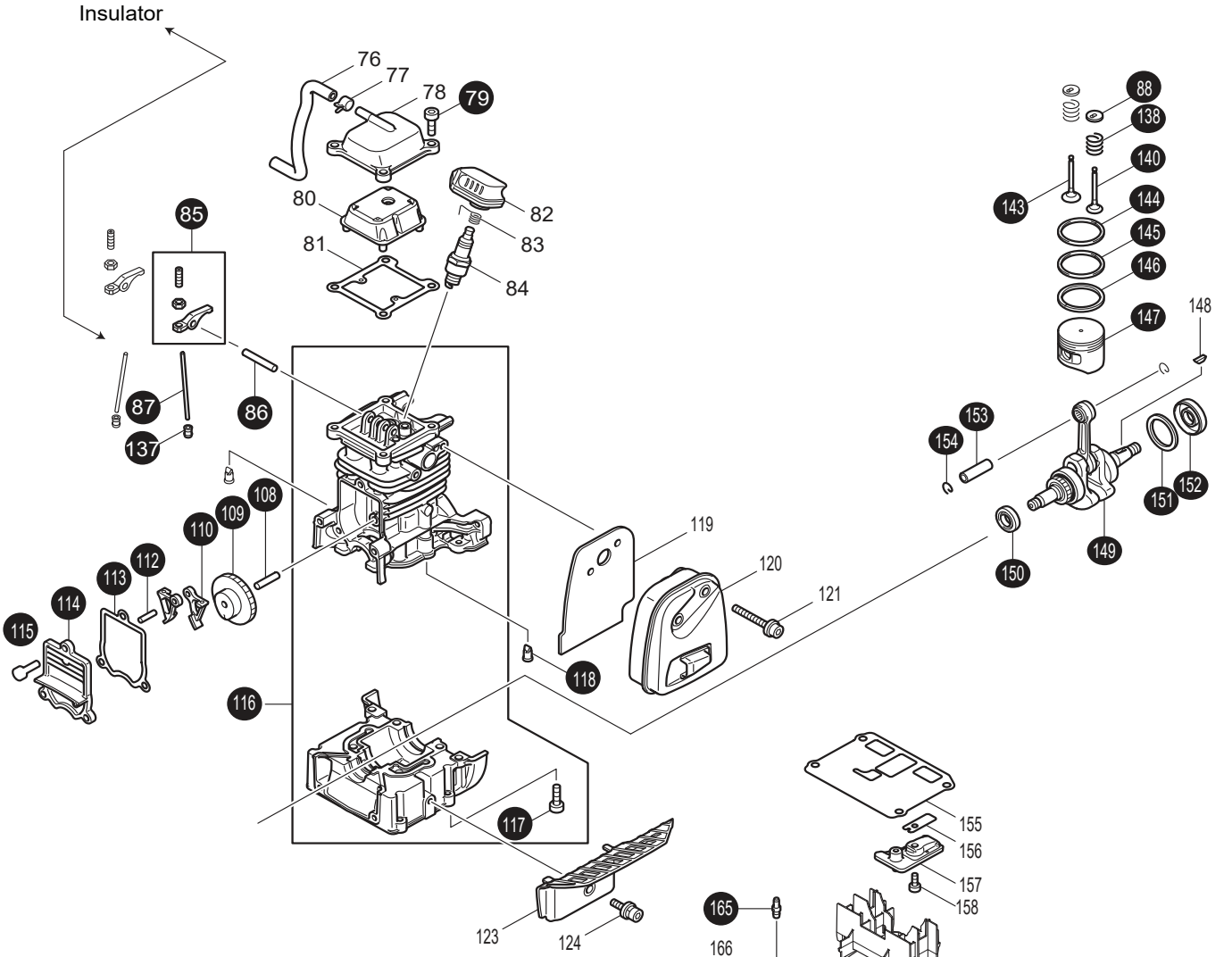


Products with multiple versions are listed in subsiding order with the newest version on top not indented.

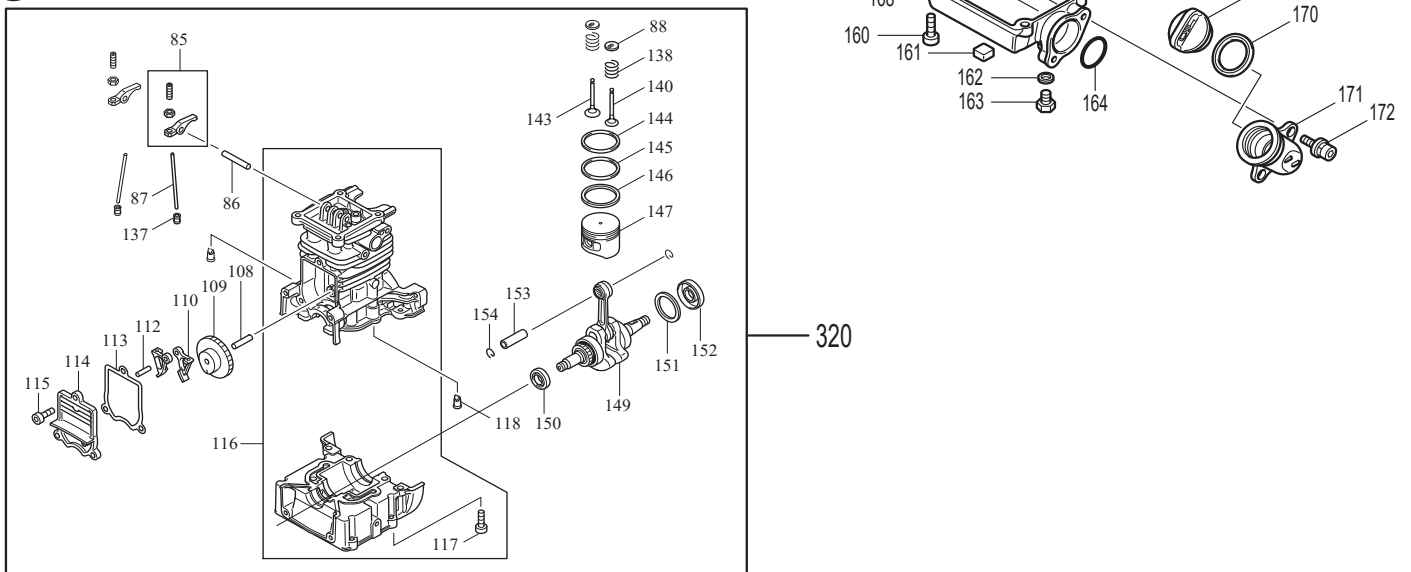
Section	Fig. No.	Part No.	Description	EN5550SH	Tech Bulletin	Notes
4	34	819432-8	CAUTION TAG	1		
4	89	451735-0	CLUTCH CASE	1		
4	90	922228-9	H.S.H.BOLT M5X18 WITH WR	3		
4	91	450569-8	SPACER	1		
4	92	961052-5	RETAINING RING S-12	1		
4	93	211129-9	BALL BEARING 6201DDW	1		
4	93	210111-5	BALL BEARING 6201LLU	1		
4	94	962151-6	RETAINING RING R-32	1		
4	95	161588-6	CLUTCH DRUM, EM2652LHN	1		
4	95	168809-7	CLUTCH DRUM, EM2652LHN	1		
4	95	168609-5	CLUTCH DRUM	1		
4	96	266457-7	SHOULDER HEX. BOLT M6X25	2		
4	97	267817-6	WASHER 8	2		
4	98	126135-0	CLUTCH ASSEMBLY	1		INC 99, 100
4	98	125518-1	CLUTCH ASSEMBLY	1		INC 99, 100
4	99	168498-8	CLUTCH SHOE	2		
4	100	231881-3	TENSION SPRING 7	1		
4	100	231858-8	TENSION SPRING 6	1		
4	101	267812-6	WASHER 6	2		
4	102	264039-9	CONED DISK SPRING HEX NUT M8-13	1		
4	103	318569-3	FLYWHEEL	1		
4	104	444021-6	TUBE	1		
4	105	266602-4	HEX. SOCKET HEAD BOLT M4X20	2		
4	106	452049-0	SPACER	2		
4	107	168559-4	IGNITION COIL	1		
4	122	168483-1	PULLEY	1		
4	131	424082-2	BUFFER RUBBER	1		
4	132	922211-6	HEX. SOCKET HEAD BOLT M5X12	1		
4	133	922226-3	HEX. SOCKET HEAD BOLT M5X18	2		
4	134	318249-1	PIPE HOLDER	1		
4	135	318250-6	PIPE HOLDER	1		
4	136	424083-0	BUFFER RUBBER	1		
4	183	195308-6	RECOIL STARTER SET	1		INC. 122,184,185,187-193
4	184	424319-7	STARTER KNOB	1		

Products with multiple versions are listed in subsiding order with the newest version on top not indented.

Section	Fig. No.	Part No.	Description	EN5550SH	Tech Bulletin	Notes
4	185	424359-5	DAMPER	1		
4	187	266585-8	TAPPING SCREW 5X12	1		
4	188	325923-4	SWING ARM	1		
4	189	451938-6	COLLAR	1		
4	190	451937-8	REEL	1		
4	191	232258-5	SPIRAL SPRING	1		
4	192	444023-2	STARTER ROPE	1		
4	193	451733-4	STARTER CASE	1		
4	194	922223-9	H.S.H.BOLT M5X16 WITH WR	4		



Included in Short Block Assembly Fig. No. 320.

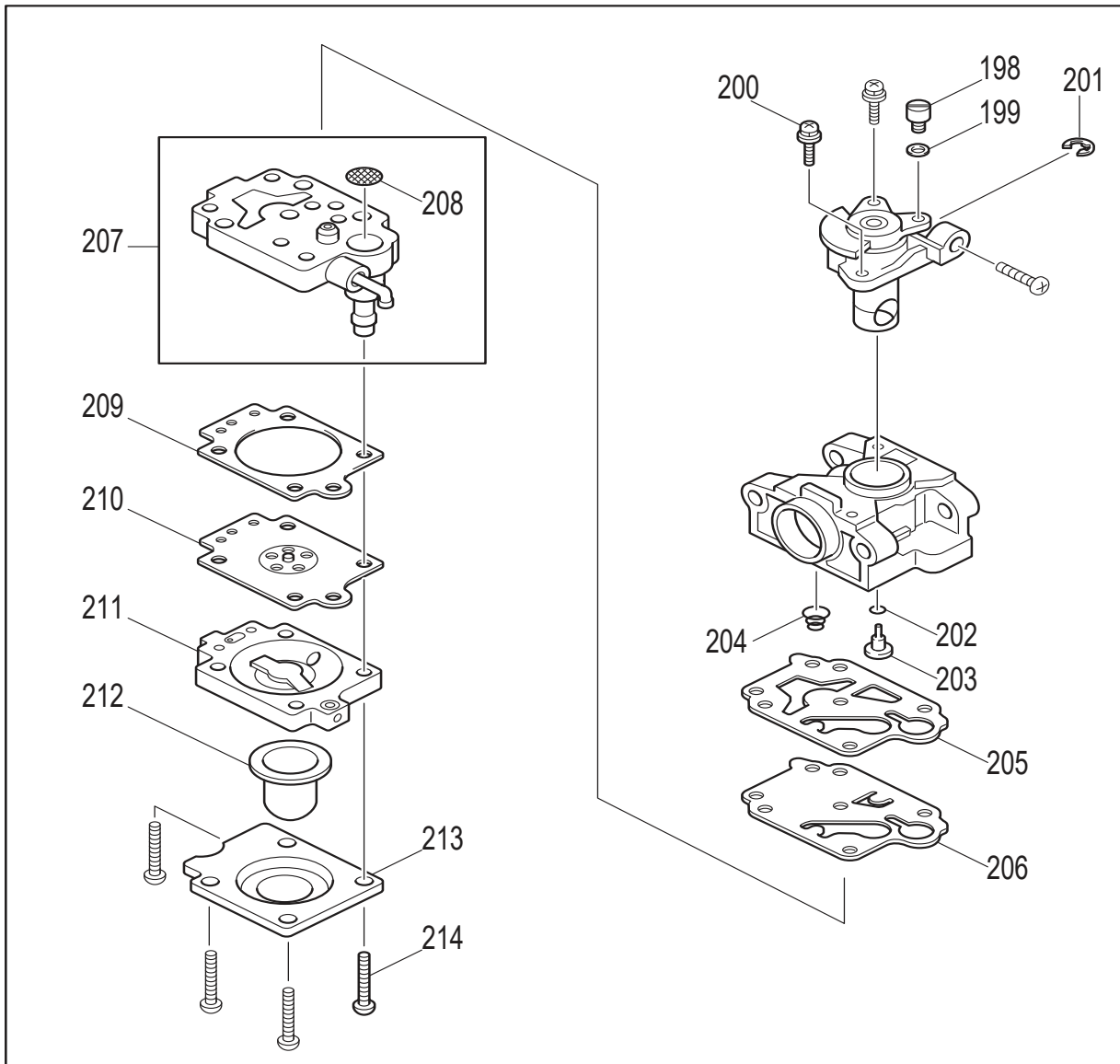
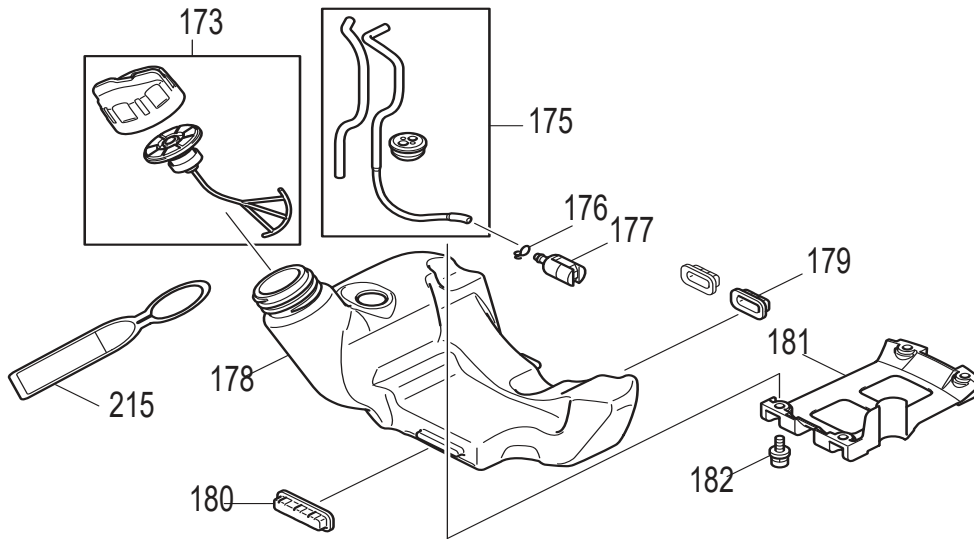


Products with multiple versions are listed in subsiding order with the newest version on top not indented.

Section	Fig. No.	Part No.	Description	EN5550SH	Tech Bulletin	Notes
5	76	422109-2	BREATHER PIPE	1		
5	76	422055-9	BREATHER PIPE	1		
5	77	345918-1	HOSE CLAMP	1		
5	78	318745-9	ROCKER COVER OUTER	1		
5	79	922222-1	HEX. SOCKET HEAD BOLT M5X16	4		
5	80	453860-3	ROCKER COVER INNER	1		
5	80	452795-5	ROCKER COVER INNER	1		
5	81	162304-9	ROCKER COVER GASKET	1		
5	82	424302-4	PLUG CAP	1		
5	83	324891-8	PLUG CAP SPRING	1		
5	84	168534-0	SPARK PLUG	1		
5	85	125554-7	ROCKER ARM ASSEMBLY	2		
5	86	256200-2	PIN 5	1		
5	87	256865-0	ROD 2.5	2		
5	88	325668-4	SPRING RETAINER	2		
5	108	268238-5	PIN 5	1		
5	109	125552-1	CAM GEAR ASSEMBLY	1		
5	110	313169-4	CAM LIFTER	2		
5	112	268239-3	PIN 4	1		
5	113	162274-2	CAM GEAR COVER GASKET	1		
5	114	318443-5	CAM GEAR COVER	1		
5	115	922222-1	HEX. SOCKET HEAD BOLT M5X16	3		
5	116	135478-9	CYLINDER BLOCK ASSEMBLY	1		INC 117, 118, 137
5	117	922222-1	HEX. SOCKET HEAD BOLT M5X16	6		
5	118	424201-0	CHECK VALVE	2		
5	119	346331-6	MUFFLER GASKET	1		
5	120	168554-4	EXHAUST MUFFLER	1		
5	121	266440-4	HEX SOCKET HEAD BOLT M5X40	2		
5	123	451731-8	MUFFLER PLATE	1		
5	124	922218-2	H.S.H.BOLT M5X14 WITH WR	1		
5	137	424200-2	SPACER	2		
5	138	234108-0	COMPRESSION SPRING 9	2		
5	140	325669-2	EXHAUST VALVE	1		
5	143	326367-1	INTAKE VALVE	1		
5	143	325670-7	INTAKE VALVE	1		

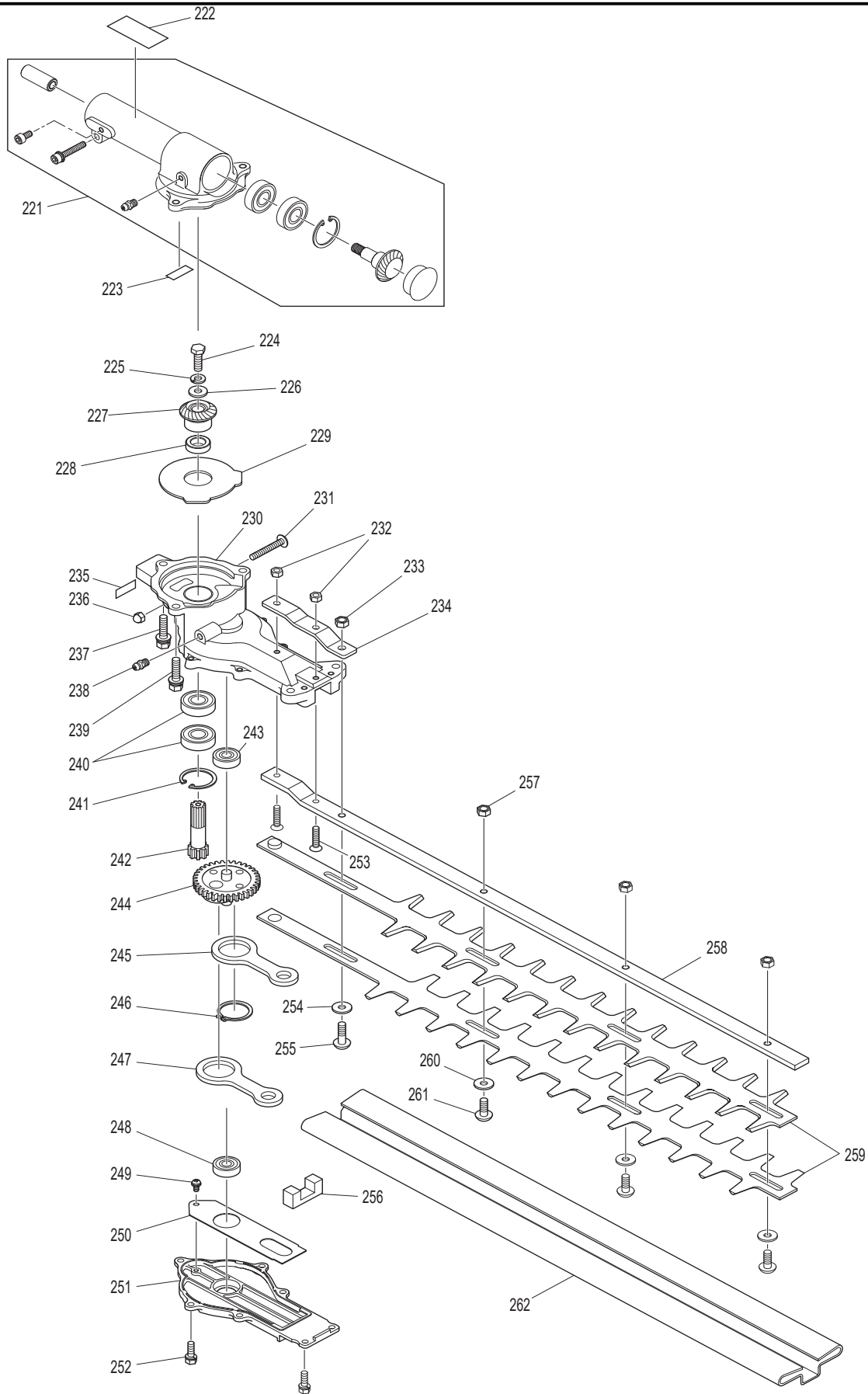
Products with multiple versions are listed in subsiding order with the newest version on top not indented.

Section	Fig. No.	Part No.	Description	EN5550SH	Tech Bulletin	Notes
5	144	195145-8	PISTON RING SET	1		INC 144, 145, 146
5	145	257299-0	PISTON RING (SECOND) 34	1		USE PISTON RING SET 195145-8
5	146	257300-1	PISTON RING 34	1		USE PISTON RING SET 195145-8
5	147	318441-9	PISTON	1		
5	148	254040-2	WOODRUFF KEY 3	1		
5	149	135481-0	CRANK SHAFT ASS'Y	1		
5	150	213769-9	OIL SEAL 10	1		
5	150	213148-1	OIL SEAL 10	1		
5	151	267400-9	FLAT WASHER 23	1		
5	152	213089-1	OIL SEAL 12	1		
5	152	213147-3	OIL SEAL 12	1		
5	153	257781-9	PISTON PIN	1		
5	154	233976-8	CLIP	2		
5	155	162345-5	OIL CASE GASKET	1		
5	155	162323-5	OIL CASE GASKET	1		
5	156	346083-9	LEAD VALVE	1		
5	157	318910-0	RETAINER PLATE	1		MAR 2012<
5	157	318590-2	RETAINER PLATE	1		<FEB 2012
5	158	922112-8	HEX. SOCKET HEAD BOLT M4X10	1		
5	159	318588-9	OIL CASE	1		
5	160	922222-1	HEX. SOCKET HEAD BOLT M5X16	4		
5	161	424344-8	DAMPER	1		
5	162	346305-7	GASKET	1		
5	163	266611-3	HEX BOLT M6X8	1		
5	164	213548-5	O-RING 20	1		
5	165	325665-0	JOINT PIPE	1		
5	166	282020-8	HOSE CLAMP	1		
5	167	325666-8	OIL WEIGHT	1		
5	168	424301-6	OIL TUBE	1		
5	169	452047-4	OIL CAP	1		
5	170	424343-0	GASKET	1		
5	171	452048-2	OIL PIPE	1		
5	172	922218-2	H.S.H.BOLT M5X14 WITH WR	2		
5	320	135668-4	SHORT BLOCK ASSEMBLY	0	Y06451	
5	320	135599-7	SHORT BLOCK ASSEMBLY	0	Y06451	



Products with multiple versions are listed in subsiding order with the newest version on top not indented.

Section	Fig. No.	Part No.	Description	EN5550SH	Tech Bulletin	Notes
6	173	125728-0	FUEL TANK CAP ASSEMBLY	1		
6	175	168775-8	TUBE COMPLETE	1		
6	175	168755-4	TUBE COMPLETE	1	93766	
6	175	168555-2	TUBE COMPLETE	1		
6	176	282020-8	HOSE CLAMP	1		
6	177	163518-3	GASOLINE FILTER	1		
6	178	123419-7	FUEL TANK	1		
6	178	454010-3	FUEL TANK	1		
6	178	452249-2	FUEL TANK	1		
6	179	424080-6	BUFFER RUBBER	2		
6	180	424081-4	BUFFER RUBBER	1		
6	181	451737-6	TANK GUARD	1		
6	182	922218-2	H.S.H.BOLT M5X14 WITH WR	4		
6	197	168762-7	CARBURETOR	1		INC. 198-207,209-214
6	197	168591-8	CARBURETOR	1		INC. 198-207,209-214
6	198	325922-6	SWIVEL	1		
6	199	413140-9	WASHER	1		
6	200	266581-6	PAN HEAD SCREW M3X8 WITH W	2		
6	201	257964-1	STOP RING E-3	1		
6	202	213538-8	O RING 2	1		
6	203	325985-2	JET	1		
6	204	234183-6	CONICAL COMPRESSION SPRING 5-9	1		
6	205	442155-9	PUMP GASKET	1		
6	206	WJ00009599	PUMP DIAPHRAGM	1		
6	206	168575-6	PUMP DIAPHRAGM	1		
6	207	140437-0	PUMP BODY	1		INC. 208
6	208	352010-6	INLET SCREEN	1		
6	209	442154-1	METERING DIAPHRAGM GASKET	1		
6	210	168620-7	METERING DIAPHRAGM	1		
6	211	140438-8	AIR PURGE BODY	1		
6	212	424314-7	PRIMER PUMP	1		
6	213	346270-0	PRIMER PUMP COVER	1		
6	214	266582-4	TAPPING SCREW 3X24	4		
6	215	810455-9	CAUTION PLATE	1		



Products with multiple versions are listed in subsiding order with the newest version on top not indented.

Section	Fig. No.	Part No.	Description	EN5550SH	Tech Bulletin	Notes
7	221	XOC0000028	JOINT CASE COMPLETE	1		
7	221	XOC0000460	JOINT CASE COMPLETE	1		
7	222	052-24600-4A	GREASE SEAL	1		
7	224	XOC0000453	HEX. BOLT M6X12 WITH M	1		
7	225	210-06000-0K	SPRING WASHER M6	1		
7	226	207-06020-9K	WASHER	1		
7	227	XOC0000448	SPIRAL BEVEL GEAR 20	1		
7	228	XOC0000446	RING 12	1		
7	229	XOC0000459	SEPARATOR	1		
7	230	287-10000-2A	CRANK CASE	1		
7	231	XOC0000450	+TRUSS HEAD SCREW M5X35	1		
7	232	164-05000-0K	HEX. U-NUT M5	2		
7	233	164-06000-0K	HEX. U-NUT M6	1		
7	234	XOC0000456	PLATE	1		
7	236	XOC0000454	HEX. CAP NUT M5	1		
7	237	XOC0000462	+HEX. BOLT M6X25 WITH WG	1		
7	238	055-00010-0R	GREASING NIPPLE	1		
7	239	054-06016-0K	+HEX. BOLT M6X16 WITH WG	2		
7	240	354-06001-0K	BALL BEARING 6001 2RS	2		
7	241	282-02800-0K	RETAINING RING RTW-28	1		
7	242	XOC0000447	SPUR GEAR 8	1		
7	243	353-00608-0K	BEARING 608ZZ	1		
7	244	286-10300-4A	GEAR CRANK ASS'Y	1		
7	245	XOC0000019	ROD	1		
7	245	E1A063000T	ROD	1		
7	246	283-02600-0K	RETAINING RING STW-26	1		
7	247	XOC0000019	ROD	1		
7	247	E1A063000T	ROD	1		
7	248	353-00608-0K	BEARING 608ZZ	1		
7	249	XOC0000451	+PAN HEAD SCREW M4X8 WITH WM	1		
7	250	XOC0000455	FRICTION PLATE	1		
7	251	XOC0000458	GEAR CASE COVER	1		
7	252	054-05012-0K	(+)HEX. BOLT M5X12	7		
7	253	XOC0000452	+COUNTERSUNK HEAD SCREW M5X20	2		

Products with multiple versions are listed in subsiding order with the newest version on top not indented.

Section	Fig. No.	Part No.	Description	EN5550SH	Tech Bulletin	Notes
7	254	008-25000-00	BLADE SLIDING WASHER	1		
7	255	004-00030-09	SCREW M6X22	1		
7	256	286-11200-4A	FELT	1		
7	257	164-06000-0K	HEX. U-NUT M6	3		
7	258	XOC0000445	GUIDE BAR	1		
7	259	XOC0000026	SHEAR BLADE	2		
7	259	XOC0000457	SHEAR BLADE	2		
7	260	008-25000-00	BLADE SLIDING WASHER	3		
7	261	040-00200-9A	BLADE SLIDING SCREW (L=19)	3		
7	262	028-00204-9A	BLADE COVER	1		
7	262	XOC0000461	BLADE COVER	1		