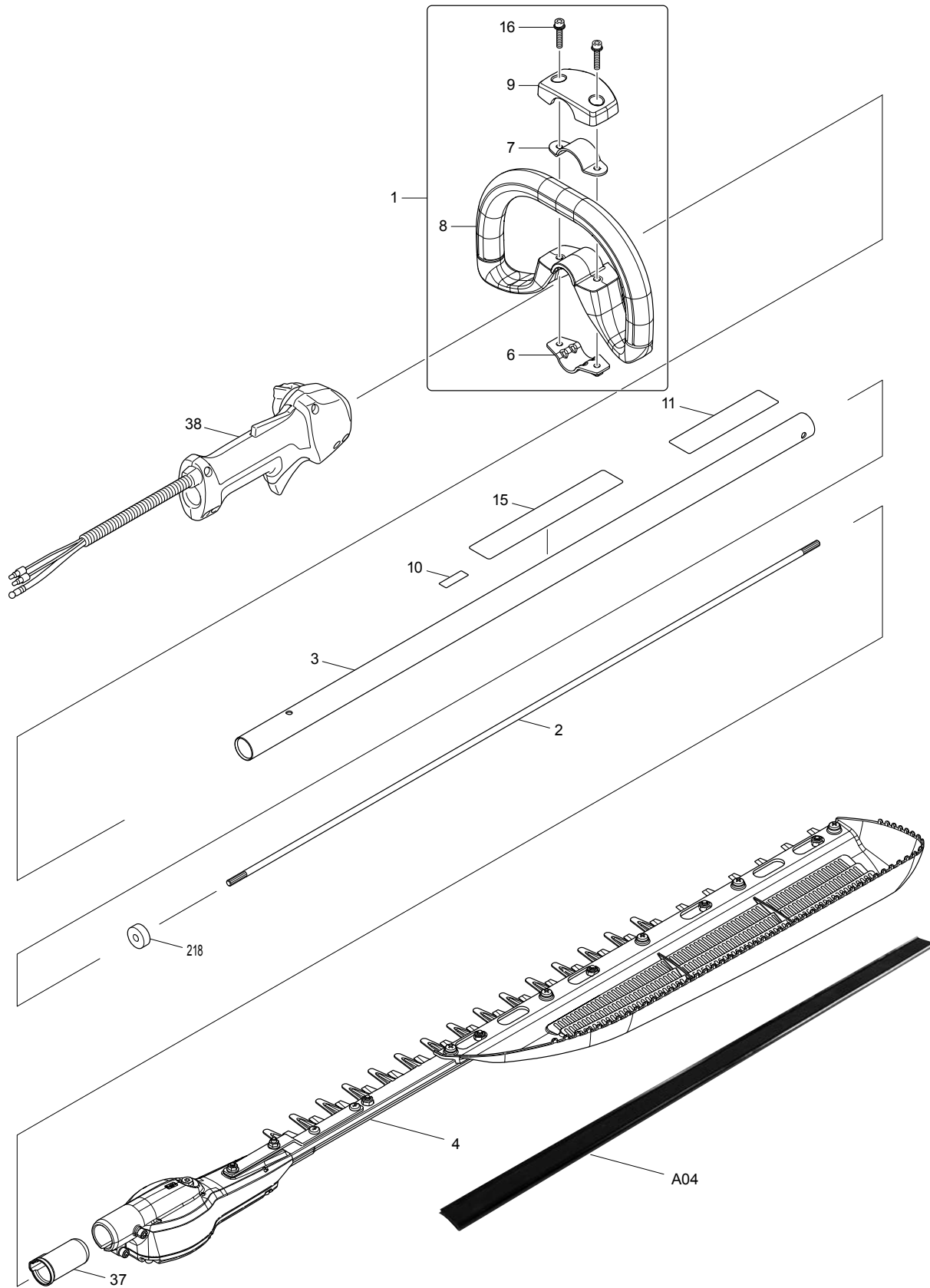


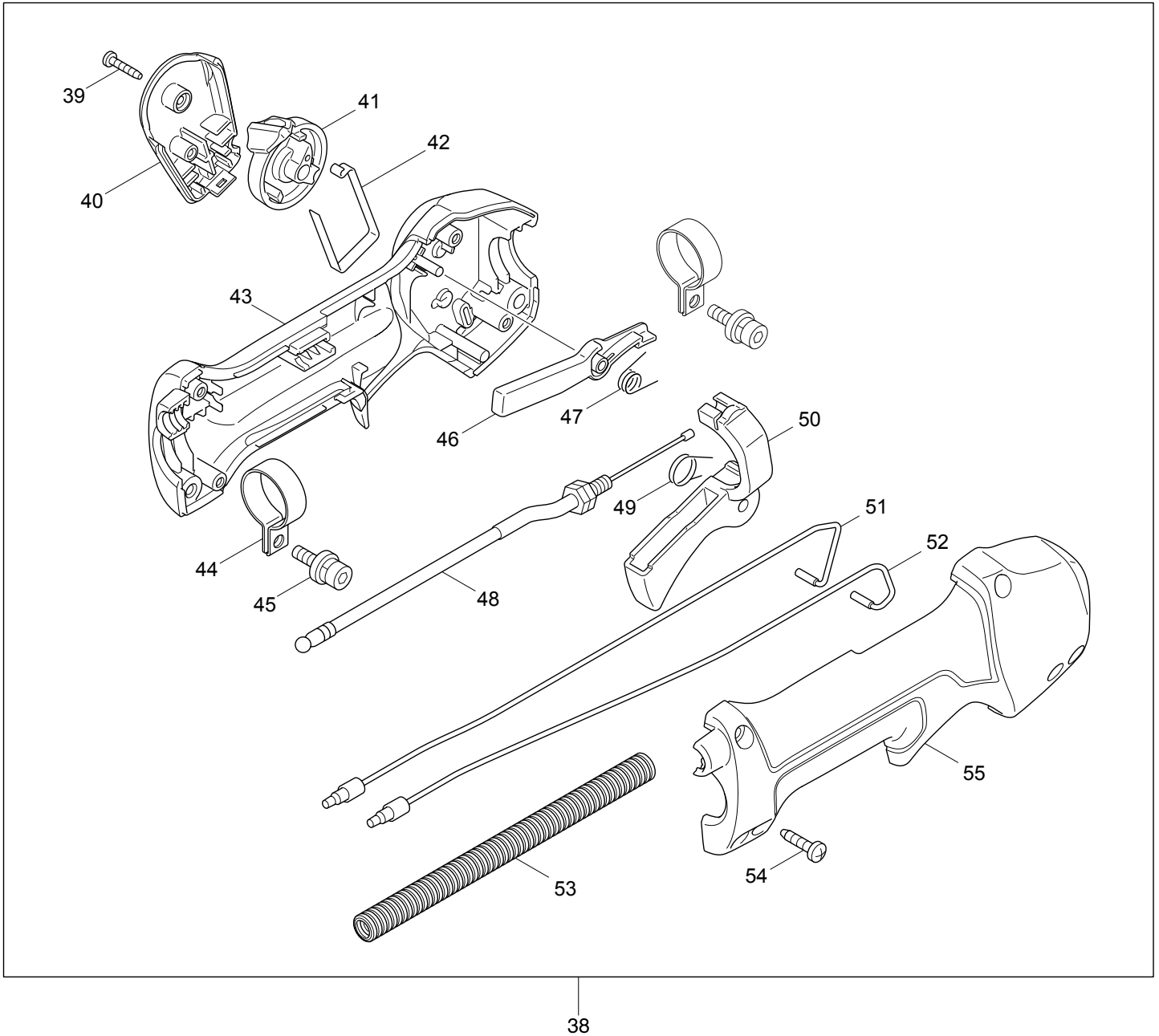


EN7350SH



Products with multiple versions are listed in subsiding order with the newest version on top not indented.
 Corresponding bulletins are attached. Select bulletin name or attachment to view.

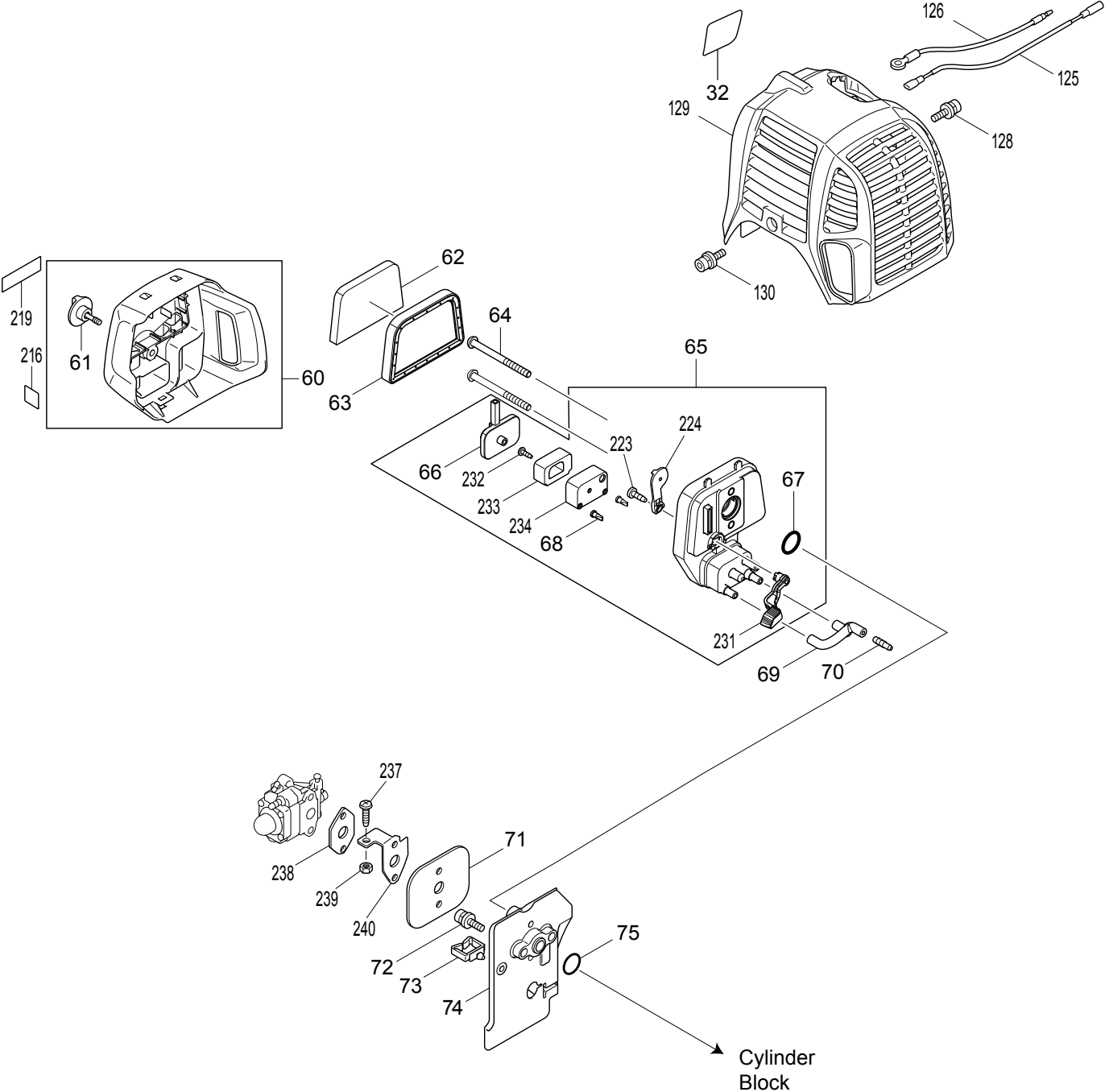
| Section | Fig. No. | Part No. | Description | EN7350SH | Tech Bulletin | Notes |
|---------|----------|----------|-----------------------------|----------|---------------|-------------|
| 1 | 1 | 195626-2 | LOOP HANDLE SET | 1 | | INC. 6-9,16 |
| 1 | 2 | 326036-4 | SHAFT | 1 | | |
| 1 | 3 | 142145-9 | SHAFT PIPE COMPLETE | 1 | | |
| 1 | 4 | 126283-5 | TRIMMER HEAD ASSEMBLY | 1 | | |
| 1 | 6 | 346467-1 | CLAMP 24 | 1 | | |
| 1 | 7 | 346468-9 | CLAMP 33 | 1 | | |
| 1 | 8 | 452841-4 | LOOP HANDLE | 1 | | |
| 1 | 9 | 452843-0 | CLAMP COVER B | 1 | | |
| 1 | 10 | 814F56-1 | SERIAL NO. LABEL | 1 | | |
| 1 | 11 | 819312-8 | MAKITA LOGO LABEL | 1 | | |
| 1 | 15 | 800X35-3 | CAUTION LABEL | 1 | | |
| 1 | 16 | 922243-3 | HEX. SOCKET HEAD BOLT M5X25 | 2 | | |
| 1 | 37 | 452116-1 | CAP | 1 | | |
| 1 | 38 | 126488-7 | CONTROL LEVER ASSEMBLY | 1 | | |
| 1 | 38 | 125776-9 | CONTROL LEVER ASSEMBLY | 1 | | INC. 39-55 |
| 1 | 218 | 443170-6 | FELT | 1 | | |
| 1 | A04 | 454278-1 | BLADE COVER | 1 | | |



Products with multiple versions are listed in subsiding order with the newest version on top not indented.

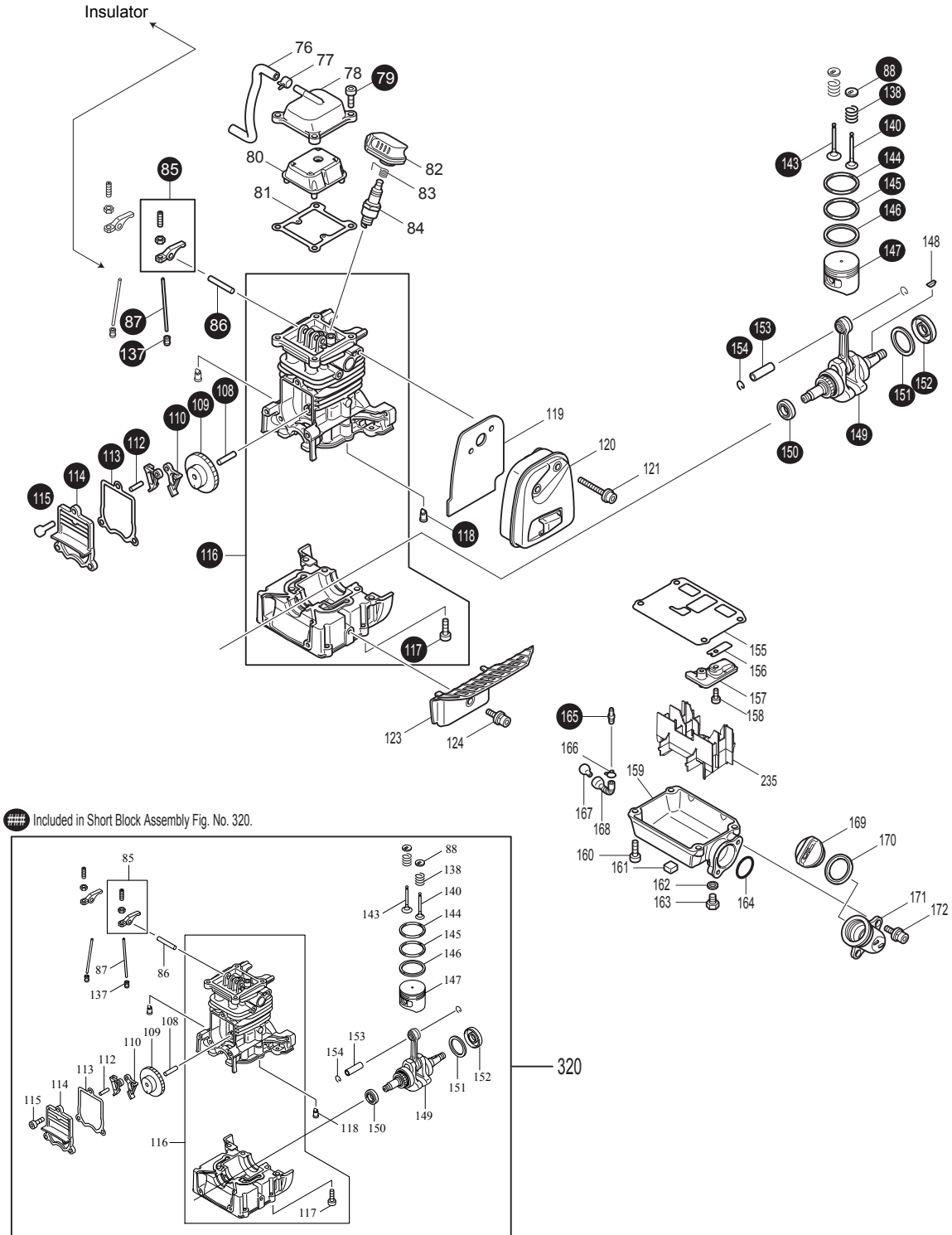
Corresponding bulletins are attached. Select bulletin name or attachment to view.

| Section | Fig. No. | Part No. | Description | EN7350SH | Tech Bulletin | Notes |
|---------|----------|----------|----------------------------|----------|---------------|------------|
| 2 | 38 | 126488-7 | CONTROL LEVER ASSEMBLY | 1 | | |
| 2 | 38 | 125776-9 | CONTROL LEVER ASSEMBLY | 1 | | INC. 39-55 |
| 2 | 39 | 266130-9 | TAPPING SCREW BIND PT 3X16 | 1 | | |
| 2 | 40 | 451595-0 | SWITCH COVER | 1 | | |
| 2 | 41 | 451594-2 | SWITCH LEVER | 1 | | |
| 2 | 42 | 232251-9 | LEAF SPRING | 1 | | |
| 2 | 43 | 188832-6 | LEVER CASE SET | 1 | | INC. 55 |
| 2 | 44 | 346248-3 | CLAMP 24 | 2 | | |
| 2 | 45 | 922218-2 | H.S.H.BOLT M5X14 WITH WR | 2 | | |
| 2 | 46 | 451593-4 | LOCK LEVER | 1 | | |
| 2 | 47 | 233541-3 | TORSION SPRING 7 | 1 | | |
| 2 | 48 | 168571-4 | CONTROL CABLE | 1 | | |
| 2 | 49 | 233540-5 | TORSION SPRING 11 | 1 | | |
| 2 | 50 | 451592-6 | THROTTLE LEVER | 1 | | |
| 2 | 51 | 638714-7 | LEAD UNIT | 1 | | |
| 2 | 52 | 638713-9 | LEAD UNIT | 1 | | |
| 2 | 53 | 452071-7 | CORRUGATE TUBE | 1 | | |
| 2 | 54 | 266326-2 | TAPPING SCREW 4X18 | 4 | | |
| 2 | 55 | 188832-6 | LEVER CASE SET | 1 | | INC. 43 |



Products with multiple versions are listed in subsiding order with the newest version on top not indented.
Corresponding bulletins are attached. Select bulletin name or attachment to view.

| Section | Fig. No. | Part No. | Description | EN7350SH | Tech Bulletin | Notes |
|---------|----------|----------|-----------------------------|----------|---------------|----------------------------|
| 3 | 32 | 816566-8 | GAS EMISSION APPROVAL LABEL | 1 | | |
| 3 | 60 | 126202-1 | CLEANER COVER ASSEMBLY | 1 | | INC. 61 |
| 3 | 61 | 265791-2 | THUMB SCREW M4 | 1 | | |
| 3 | 62 | 443171-4 | AIR CLEANER ELEMENT | 1 | | |
| 3 | 63 | 443169-1 | AIR CLEANER ELEMENT | 1 | | |
| 3 | 64 | 266871-7 | H.S.BUTTON HEAD BOLT M5X60 | 2 | | |
| 3 | 65 | 126198-6 | CLEANER PLATE ASSEMBLY | 1 | | INC. 66-68,223,224,231-234 |
| 3 | 66 | 162346-3 | SEPARATOR PLATE | 1 | | |
| 3 | 67 | 213540-1 | O RING 15 | 1 | | |
| 3 | 68 | 424316-3 | CHECK VALVE | 2 | | |
| 3 | 69 | 422099-9 | PIPE | 1 | | |
| 3 | 70 | 325665-0 | JOINT PIPE | 1 | | |
| 3 | 71 | 442153-3 | CARBURETOR GASKET | 1 | | |
| 3 | 72 | 266787-6 | H.S.H.BOLT M5X18 WITH WR | 2 | | |
| 3 | 73 | 451825-9 | CLAMP | 1 | | |
| 3 | 74 | 451729-5 | INSULATOR | 1 | | |
| 3 | 75 | 213547-7 | O-RING 12 | 1 | | |
| 3 | 125 | 638707-4 | LEAD UNIT | 1 | | |
| 3 | 126 | 638708-2 | LEAD UNIT | 1 | | |
| 3 | 128 | 922218-2 | H.S.H.BOLT M5X14 WITH WR | 1 | | |
| 3 | 129 | 453266-5 | CYLINDER COVER | 1 | | |
| 3 | 130 | 922218-2 | H.S.H.BOLT M5X14 WITH WR | 1 | | |
| 3 | 216 | 800F73-7 | INDICATION LABEL | 1 | | |
| 3 | 223 | 266427-6 | TAPPING SCREW 4X12 | 1 | | |
| 3 | 224 | 452219-1 | CHOKE PLATE | 1 | | |
| 3 | 231 | 452220-6 | CHOKE LEVER | 1 | | |
| 3 | 232 | 266007-8 | TAPPING SCREW BIND PT 3X10 | 1 | | |
| 3 | 233 | 352020-3 | SEPARATOR MESH | 1 | | |
| 3 | 234 | 453865-3 | SEPARATOR CASE | 1 | | |
| 3 | 237 | 266887-2 | H.L. SOCKET HEAD BOLT M4X17 | 1 | | |
| 3 | 238 | 442199-9 | GASKET | 1 | | |
| 3 | 239 | 931102-0 | HEX. NUT M4 | 1 | | |
| 3 | 240 | 346730-2 | HOLDER | 1 | | |



Products with multiple versions are listed in subsiding order with the newest version on top not indented.

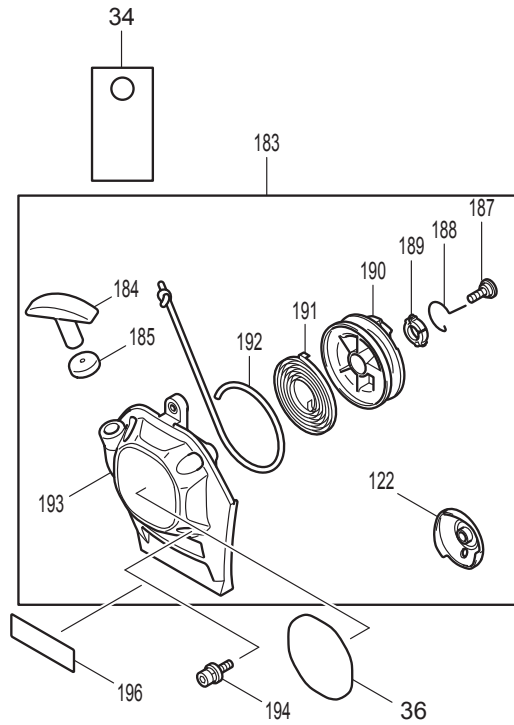
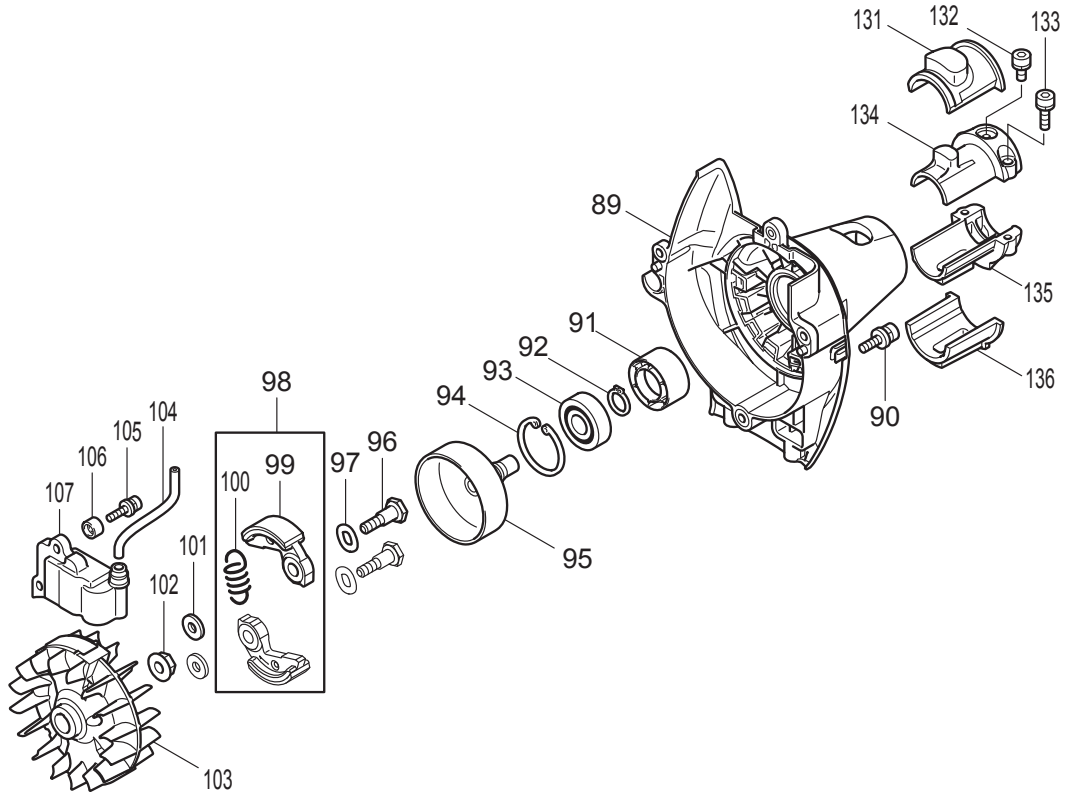
Corresponding bulletins are attached. Select bulletin name or attachment to view.

| Section | Fig. No. | Part No. | Description | EN7350SH | Tech Bulletin | Notes |
|---------|----------|----------|-----------------------------|----------|---------------|----------|
| 4 | 76 | 422109-2 | BREATHER PIPE | 1 | | |
| 4 | 77 | 345918-1 | HOSE CLAMP | 1 | | |
| 4 | 78 | 318745-9 | ROCKER COVER OUTER | 1 | | |
| 4 | 79 | 922222-1 | HEX. SOCKET HEAD BOLT M5X16 | 4 | | |
| 4 | 80 | 453860-3 | ROCKER COVER INNER | 1 | | |
| 4 | 81 | 162304-9 | ROCKER COVER GASKET | 1 | | |
| 4 | 82 | 424302-4 | PLUG CAP | 1 | | |
| 4 | 83 | 324891-8 | PLUG CAP SPRING | 1 | | |
| 4 | 84 | 168534-0 | SPARK PLUG | 1 | | |
| 4 | 85 | 125554-7 | ROCKER ARM ASSEMBLY | 2 | | |
| 4 | 86 | 256200-2 | PIN 5 | 1 | | |
| 4 | 87 | 256865-0 | ROD 2.5 | 2 | | |
| 4 | 88 | 325668-4 | SPRING RETAINER | 2 | | |
| 4 | 108 | 268238-5 | PIN 5 | 1 | | |
| 4 | 109 | 125552-1 | CAM GEAR ASSEMBLY | 1 | | |
| 4 | 110 | 313169-4 | CAM LIFTER | 2 | | |
| 4 | 112 | 268239-3 | PIN 4 | 1 | | |
| 4 | 113 | 162274-2 | CAM GEAR COVER GASKET | 1 | | |
| 4 | 114 | 318443-5 | CAM GEAR COVER | 1 | | |
| 4 | 115 | 922222-1 | HEX. SOCKET HEAD BOLT M5X16 | 3 | | |
| 4 | 116 | 135478-9 | CYLINDER BLOCK ASSEMBLY | 1 | | INC. 117 |
| 4 | 117 | 922222-1 | HEX. SOCKET HEAD BOLT M5X16 | 6 | | |
| 4 | 118 | 424201-0 | CHECK VALVE | 2 | | |
| 4 | 119 | 346331-6 | MUFFLER GASKET | 1 | | |
| 4 | 120 | 168554-4 | EXHAUST MUFFLER | 1 | | |
| 4 | 121 | 266440-4 | HEX SOCKET HEAD BOLT M5X40 | 2 | | |
| 4 | 123 | 451731-8 | MUFFLER PLATE | 1 | | |
| 4 | 124 | 922218-2 | H.S.H.BOLT M5X14 WITH WR | 1 | | |
| 4 | 137 | 424200-2 | SPACER | 2 | | |
| 4 | 138 | 234108-0 | COMPRESSION SPRING 9 | 2 | | |
| 4 | 140 | 325669-2 | EXHAUST VALVE | 1 | | |
| 4 | 143 | 325670-7 | INTAKE VALVE | 1 | | |
| 4 | 144 | 195145-8 | PISTON RING SET | 1 | | |
| 4 | 147 | 318441-9 | PISTON | 1 | | |

Products with multiple versions are listed in subsiding order with the newest version on top not indented.

Corresponding bulletins are attached. Select bulletin name or attachment to view.

| Section | Fig. No. | Part No. | Description | EN7350SH | Tech Bulletin | Notes |
|---------|----------|----------|-----------------------------|----------|---------------|--------------|
| 4 | 148 | 254040-2 | WOODRUFF KEY 3 | 1 | | |
| 4 | 149 | 135481-0 | CRANK SHAFT ASSEMBLY | 1 | | INC. 150-152 |
| 4 | 150 | 213148-1 | OIL SEAL 10 | 1 | | |
| 4 | 151 | 267400-9 | FLAT WASHER 23 | 1 | | |
| 4 | 152 | 213147-3 | OIL SEAL 12 | 1 | | |
| 4 | 153 | 257781-9 | PISTON PIN | 1 | | |
| 4 | 154 | 233976-8 | CLIP | 2 | | |
| 4 | 155 | 162345-5 | OIL CASE GASKET | 1 | | |
| 4 | 156 | 346083-9 | LEAD VALVE | 1 | | |
| 4 | 157 | 318910-0 | RETAINER PLATE | 1 | | |
| 4 | 158 | 922112-8 | HEX. SOCKET HEAD BOLT M4X10 | 1 | | |
| 4 | 159 | 318588-9 | OIL CASE | 1 | | |
| 4 | 160 | 922222-1 | HEX. SOCKET HEAD BOLT M5X16 | 4 | | |
| 4 | 161 | 424344-8 | DAMPER | 1 | | |
| 4 | 162 | 346305-7 | GASKET | 1 | | |
| 4 | 163 | 266611-3 | HEX BOLT M6X8 | 1 | | |
| 4 | 164 | 213548-5 | O-RING 20 | 1 | | |
| 4 | 165 | 325665-0 | JOINT PIPE | 1 | | |
| 4 | 166 | 282020-8 | HOSE CLAMP | 1 | | |
| 4 | 167 | 325666-8 | OIL WEIGHT | 1 | | |
| 4 | 168 | 424301-6 | OIL TUBE | 1 | | |
| 4 | 169 | 452047-4 | OIL CAP | 1 | | |
| 4 | 170 | 424343-0 | GASKET | 1 | | |
| 4 | 171 | 452048-2 | OIL PIPE | 1 | | |
| 4 | 172 | 922218-2 | H.S.H.BOLT M5X14 WITH WR | 2 | | |
| 4 | 235 | 453862-9 | OIL CASE PLATE | 1 | | |
| 4 | 320 | 135599-7 | SHORT BLOCK ASSEMBLY | 1 | | |



Products with multiple versions are listed in subsiding order with the newest version on top not indented.

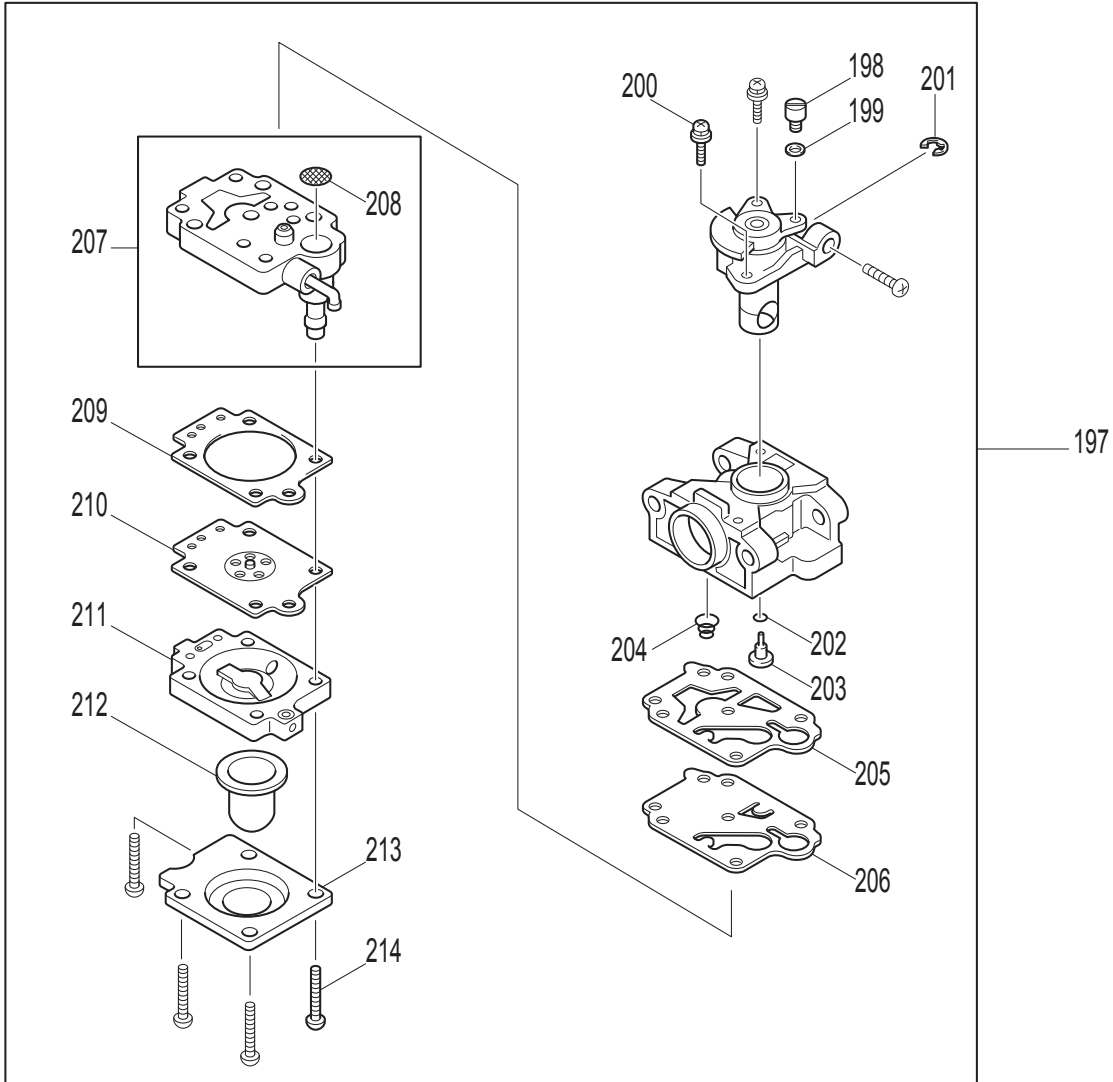
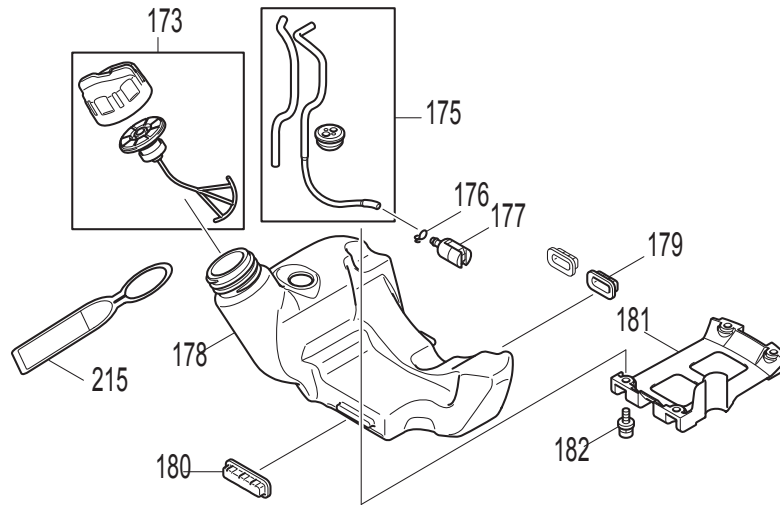
Corresponding bulletins are attached. Select bulletin name or attachment to view.

| Section | Fig. No. | Part No. | Description | EN7350SH | Tech Bulletin | Notes |
|---------|----------|----------|-----------------------------|----------|---------------|--------------------------|
| 5 | 34 | 819432-8 | CAUTION TAG | 1 | | |
| 5 | 36 | 800X34-5 | EN5950SH MODEL NO. LABEL | 1 | | |
| 5 | 89 | 451735-0 | CLUTCH CASE | 1 | | |
| 5 | 90 | 922228-9 | H.S.H.BOLT M5X18 WITH WR | 3 | | |
| 5 | 91 | 450569-8 | SPACER | 1 | | |
| 5 | 92 | 961052-5 | RETAINING RING S-12 | 1 | | |
| 5 | 93 | 210111-5 | BALL BEARING 6201LLU | 1 | | |
| 5 | 94 | 962151-6 | RETAINING RING R-32 | 1 | | |
| 5 | 95 | 168809-7 | CLUTCH DRUM | 1 | | |
| 5 | 96 | 266864-4 | SHOULDER HEX. BOLT M6X25 | 2 | | |
| 5 | 97 | 267817-6 | WASHER 8 | 2 | | |
| 5 | 98 | 126135-0 | CLUTCH ASSEMBLY | 1 | | INC. 99,100 |
| 5 | 99 | 168498-8 | CLUTCH SHOE | 2 | | |
| 5 | 100 | 231881-3 | TENSION SPRING 7 | 1 | | |
| 5 | 101 | 267812-6 | WASHER 6 | 2 | | |
| 5 | 102 | 264039-9 | FLANGE NUT | 1 | | |
| 5 | 103 | 318569-3 | FLYWHEEL | 1 | | |
| 5 | 104 | 444021-6 | TUBE | 1 | | |
| 5 | 105 | 266602-4 | HEX. SOCKET HEAD BOLT M4X20 | 2 | | |
| 5 | 106 | 452049-0 | SPACER | 2 | | |
| 5 | 107 | 168559-4 | IGNITION COIL | 1 | | |
| 5 | 122 | 168483-1 | PULLEY | 1 | | |
| 5 | 131 | 424082-2 | BUFFER RUBBER | 1 | | |
| 5 | 132 | 922211-6 | HEX. SOCKET HEAD BOLT M5X12 | 1 | | |
| 5 | 133 | 922226-3 | HEX. SOCKET HEAD BOLT M5X18 | 2 | | |
| 5 | 134 | 318249-1 | PIPE HOLDER | 1 | | |
| 5 | 135 | 318250-6 | PIPE HOLDER | 1 | | |
| 5 | 136 | 424083-0 | BUFFER RUBBER | 1 | | |
| 5 | 183 | 195308-6 | RECOIL STARTER SET | 1 | | INC. 122,184,185,187-193 |
| 5 | 184 | 424319-7 | STARTER KNOB | 1 | | |
| 5 | 185 | 424359-5 | DAMPER | 1 | | |
| 5 | 187 | 266585-8 | TAPPING SCREW 5X12 | 1 | | |
| 5 | 188 | 325923-4 | SWING ARM | 1 | | |
| 5 | 189 | 451938-6 | COLLAR | 1 | | |

Products with multiple versions are listed in subsiding order with the newest version on top not indented.

Corresponding bulletins are attached. Select bulletin name or attachment to view.

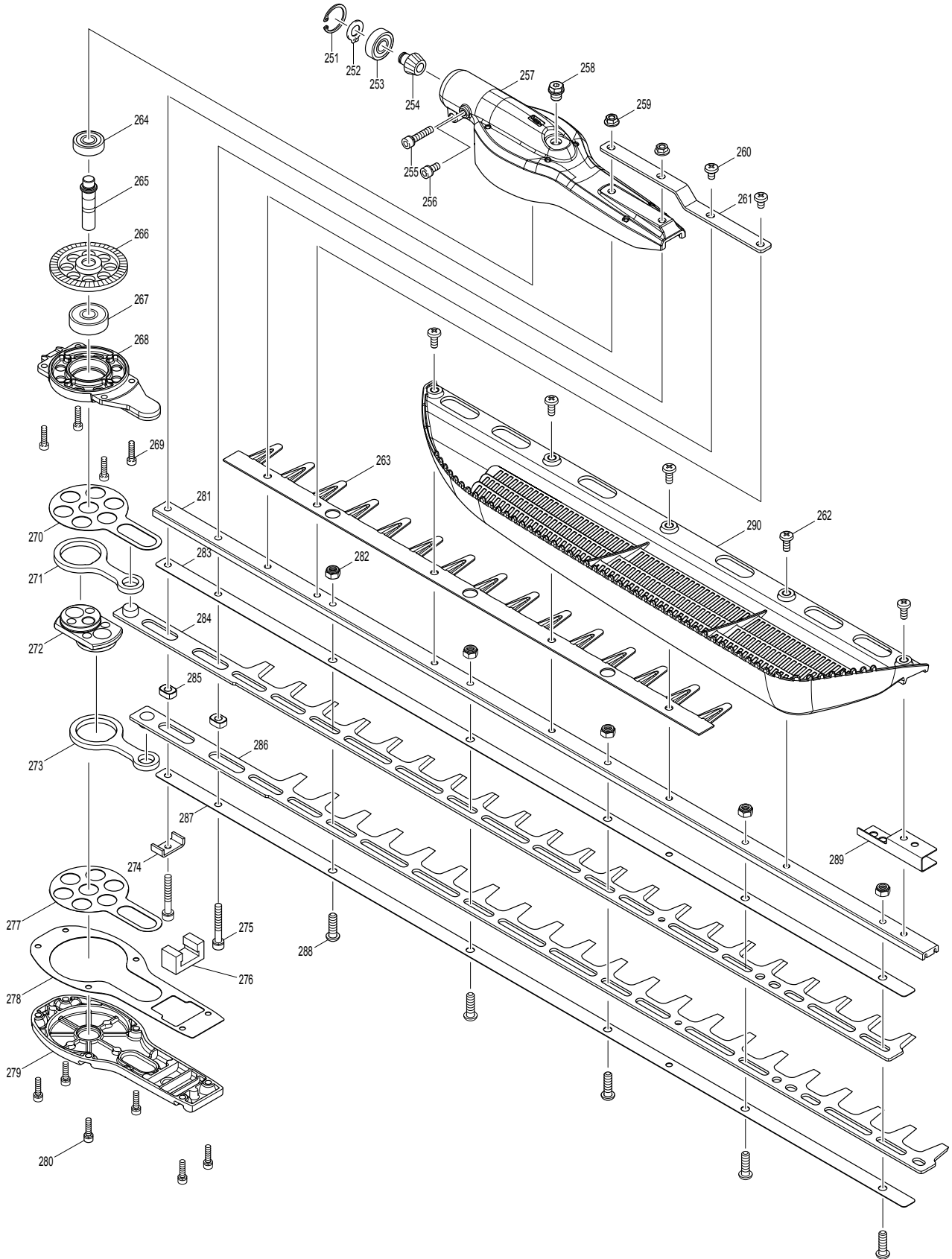
| Section | Fig. No. | Part No. | Description | EN7350SH | Tech Bulletin | Notes |
|---------|----------|----------|--------------------------|----------|---------------|-------|
| 5 | 190 | 451937-8 | REEL | 1 | | |
| 5 | 191 | 232258-5 | SPIRAL SPRING | 1 | | |
| 5 | 192 | 444023-2 | STARTER ROPE | 1 | | |
| 5 | 193 | 451733-4 | STARTER CASE | 1 | | |
| 5 | 194 | 922223-9 | H.S.H.BOLT M5X16 WITH WR | 4 | | |
| 5 | 196 | 816565-0 | MAKITA LOGO LABEL | 1 | | |



Products with multiple versions are listed in subsiding order with the newest version on top not indented.

Corresponding bulletins are attached. Select bulletin name or attachment to view.

| Section | Fig. No. | Part No. | Description | EN7350SH | Tech Bulletin | Notes |
|---------|----------|----------|----------------------------|----------|---------------|----------------------|
| 6 | 173 | 125728-0 | FUEL TANK CAP ASSEMBLY | 1 | | |
| 6 | 175 | 168775-8 | TUBE COMPLETE | 1 | | |
| 6 | 176 | 282020-8 | HOSE CLAMP | 1 | | |
| 6 | 177 | 163518-3 | GASOLINE FILTER | 1 | | |
| 6 | 178 | 454010-3 | FUEL TANK | 1 | | |
| 6 | 179 | 424080-6 | BUFFER RUBBER | 2 | | |
| 6 | 180 | 424081-4 | BUFFER RUBBER | 1 | | |
| 6 | 181 | 451737-6 | TANK GUARD | 1 | | |
| 6 | 182 | 922218-2 | H.S.H.BOLT M5X14 WITH WR | 4 | | |
| 6 | 197 | 168762-7 | CARBURETOR | 1 | | INC. 198-207,209-214 |
| 6 | 198 | 325922-6 | SWIVEL | 1 | | |
| 6 | 199 | 413140-9 | WASHER | 1 | | |
| 6 | 200 | 266581-6 | PAN HEAD SCREW M3X8 WITH W | 2 | | |
| 6 | 201 | 257964-1 | STOP RING E-3 | 1 | | |
| 6 | 202 | 213538-8 | O RING 2 | 1 | | |
| 6 | 203 | 325985-2 | JET | 1 | | |
| 6 | 205 | 442155-9 | PUMP GASKET | 1 | | |
| 6 | 206 | 168575-6 | PUMP DIAPHRAGM | 1 | | |
| 6 | 207 | 141737-1 | PUMP BODY | 1 | | INC. 208 |
| 6 | 208 | 352021-1 | INLET SCREEN | 1 | | |
| 6 | 209 | 442154-1 | METERING DIAPHRAGM GASKET | 1 | | |
| 6 | 210 | 168620-7 | METERING DIAPHRAGM | 1 | | |
| 6 | 211 | 140438-8 | AIR PURGE BODY | 1 | | |
| 6 | 212 | 424314-7 | PRIMER PUMP | 1 | | |
| 6 | 214 | 266582-4 | TAPPING SCREW 3X24 | 4 | | |
| 6 | 215 | 810455-9 | CAUTION PLATE | 1 | | |



Products with multiple versions are listed in subsiding order with the newest version on top not indented.

Corresponding bulletins are attached. Select bulletin name or attachment to view.

| Section | Fig. No. | Part No. | Description | EN7350SH | Tech Bulletin | Notes |
|---------|----------|----------|-----------------------------|----------|---------------|-------|
| 7 | 251 | 962103-7 | RETAINING RING R-24 | 1 | | |
| 7 | 252 | 961005-4 | RETAINING RING S-9 | 1 | | |
| 7 | 253 | 210049-4 | BALL BEARING 609ZZ | 1 | | |
| 7 | 254 | 227608-7 | SPIRAL BEVEL GEAR 10 | 1 | | |
| 7 | 255 | 922241-7 | HEX. SOCKET HEAD BOLT M5X25 | 1 | | |
| 7 | 256 | 922211-6 | HEX. SOCKET HEAD BOLT M5X12 | 1 | | |
| 7 | 257 | 141941-2 | GEAR HOUSING COMPLETE | 1 | | |
| 7 | 258 | 266818-1 | HEX. SOCKET HEX. BOLT M8X8 | 1 | | |
| 7 | 259 | 264090-9 | HEX. NUT M5-8 | 2 | | |
| 7 | 260 | 266832-7 | BINDING HEAD SCREW M5X8 | 2 | | |
| 7 | 261 | 346662-3 | PLATE | 1 | | |
| 7 | 262 | 915211-3 | BINDING HEAD SCREW M5X12 | 5 | | |
| 7 | 264 | 210049-4 | BALL BEARING 609ZZ | 1 | | |
| 7 | 265 | 326257-8 | SPINDLE | 1 | | |
| 7 | 266 | 227609-5 | SPIRAL BEVEL GEAR 47 | 1 | | |
| 7 | 267 | 211067-5 | BALL BEARING 6200ZZ | 1 | | |
| 7 | 268 | 318972-8 | BEARING HOUSING | 1 | | |
| 7 | 269 | 265490-6 | HEX. SOCKET HEAD BOLT M4X16 | 4 | | |
| 7 | 270 | 346658-4 | PLATE | 1 | | |
| 7 | 271 | 346251-4 | CONNECTING ROD | 1 | | |
| 7 | 272 | 332055-0 | CRANK | 1 | | |
| 7 | 273 | 346251-4 | CONNECTING ROD | 1 | | |
| 7 | 274 | 346256-4 | HOLDER | 1 | | |
| 7 | 275 | 922256-4 | HEX. SOCKET HEAD BOLT M5X35 | 2 | | |
| 7 | 276 | 443159-4 | SEAL | 1 | | |
| 7 | 277 | 346658-4 | PLATE | 1 | | |
| 7 | 278 | 423457-2 | GASKET | 1 | | |
| 7 | 279 | 318973-6 | UNDER COVER | 1 | | |
| 7 | 280 | 922126-7 | HEX. SOCKET HEAD BOLT M4X16 | 6 | | |
| 7 | 281 | 332060-7 | GUIDE BAR | 1 | | |
| 7 | 282 | 264089-4 | HEX. LOCK NUT M6-10 | 5 | | |
| 7 | 283 | 346667-3 | PLATE | 1 | | |
| 7 | 284 | 725185-8 | SHEAR BLADE A | 1 | | |
| 7 | 285 | 313195-3 | SLEEVE 5 | 2 | | |

Products with multiple versions are listed in subsiding order with the newest version on top not indented.
 Corresponding bulletins are attached. Select bulletin name or attachment to view.

| Section | Fig. No. | Part No. | Description | EN7350SH | Tech Bulletin | Notes |
|---------|----------|----------|-----------------------------|----------|---------------|-------|
| 7 | 286 | 725186-6 | SHEAR BLADE B | 1 | | |
| 7 | 287 | 346667-3 | PLATE | 1 | | |
| 7 | 288 | 266824-6 | H.S. BUTTON HEAD BOLT M6X20 | 5 | | |
| 7 | 289 | 346668-1 | END COVER | 1 | | |
| 7 | 290 | 451866-5 | CHIP RECEIVER | 1 | | |