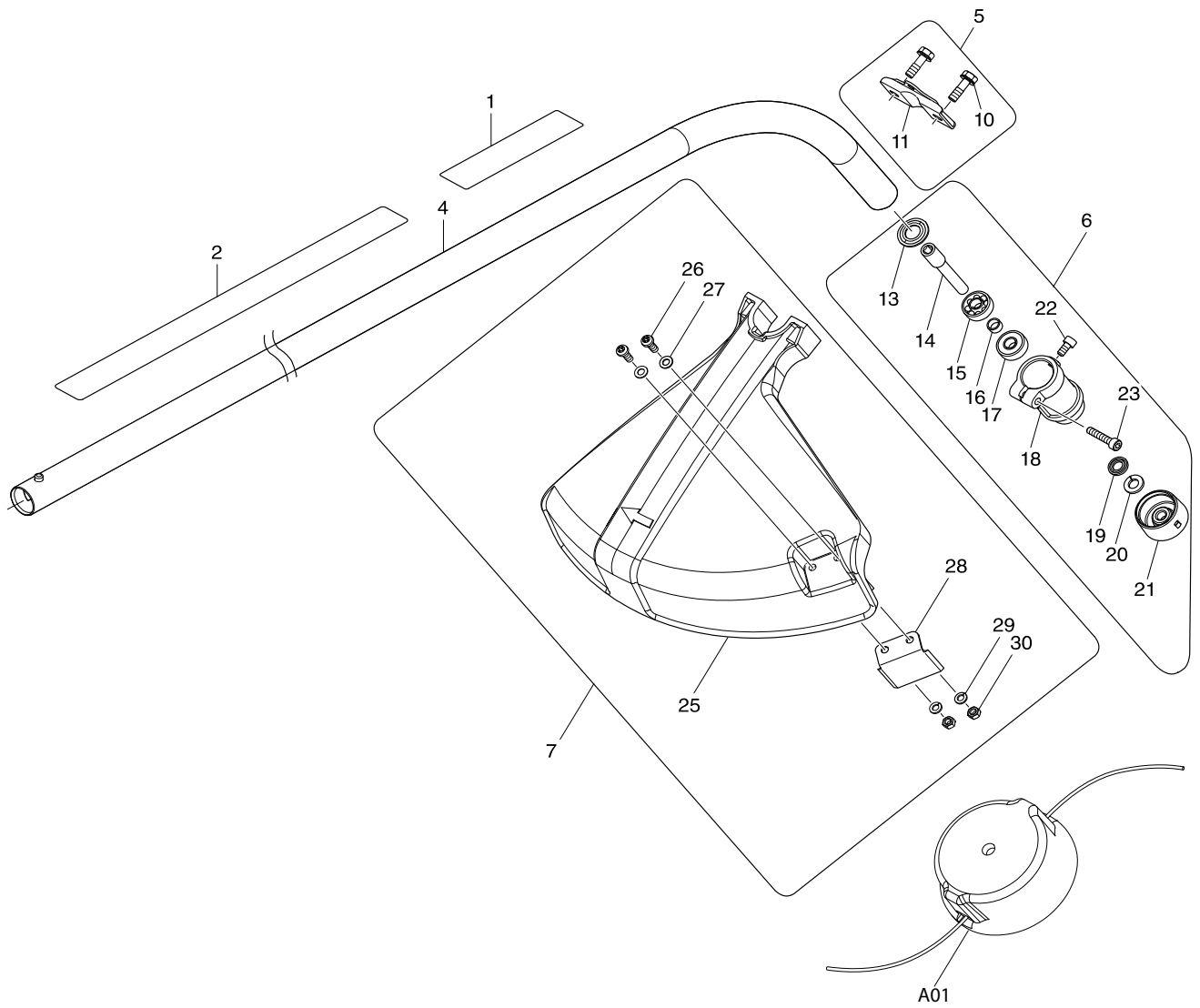




PARTS BREAKDOWN

ER400MP

LT-CS



Products with multiple versions are listed in subsiding order with the newest version on top not indented.

Section	Fig. No.	Part No.	Description	ER400MP	LT-CS	Tech Bulletin	Notes
1	4	126063-9	BENT PIPE ASSEMBLY	1	1		
1	5	141014-1	CLAMP COMPLETE	1	1		
1	6	141894-5	HEAD CASE COMPLETE (INC 14-21,23)	1	1		
1	7	141015-9	PROTECTOR COMPLETE (INC 25-30)	1	1		
1	13	267845-1	BEARING WASHER	1	1		
1	14	326195-4	CUTTER SHAFT	1	1		
1	15	21368-1	BALL BEARING 608ZZ	1	1		
1	16	257335-2	COLLAR	1	1		
1	17	211367-3	BALL BEARING 608DDW	1	1		
1	18	318900-3	HEAD CASE	1	1		
1	19	267844-3	WASHER	1	1		
1	20	267846-9	SPRING WASHER M8	1	1		
1	21	318901-1	CUTTER HOLDER	1	1		
1	22	922207-7	HEX SOCKET HEAD BOLT M5X10	1	1		
1	23	922242-5	HEX SOCKET HEAD BOLT M5X25	1	1		
1	25	453782-7	SAFETY COVER	1	1		
1	26	266776-1	SCREW M5X14	2	2		
1	27	267842-7	WASHER M5	2	2		
1	28	346612-8	CUTTER	1	1		
1	29	267843-5	SPRING WASHER M5	1	1		
1	30	264079-7	NUT M5	2	2		
1	A01	122980-1	TRIMMER HEAD	1	1		