

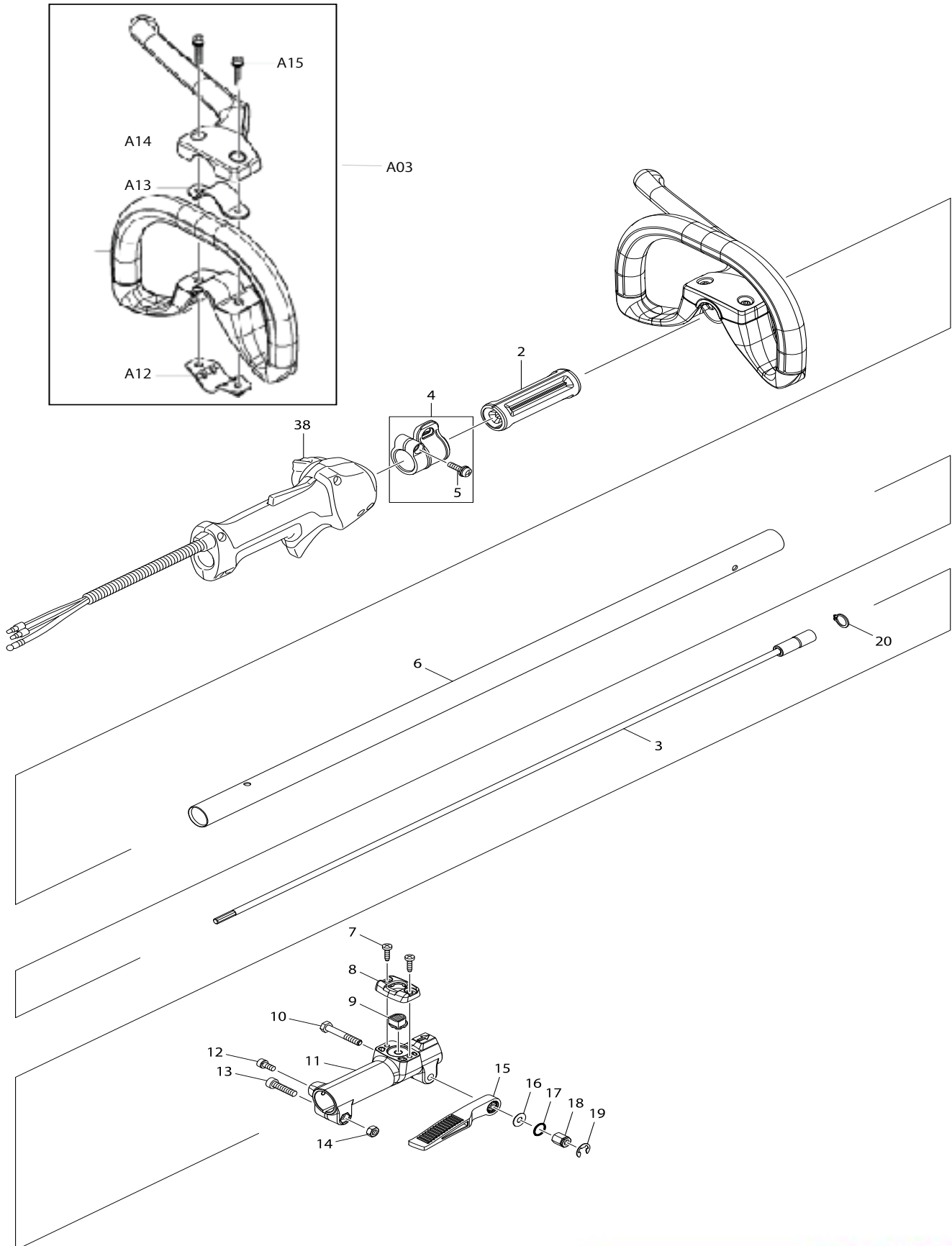


PARTS BREAKDOWN

EX2650LH

CS-246.4 C

CS-246.4CBC



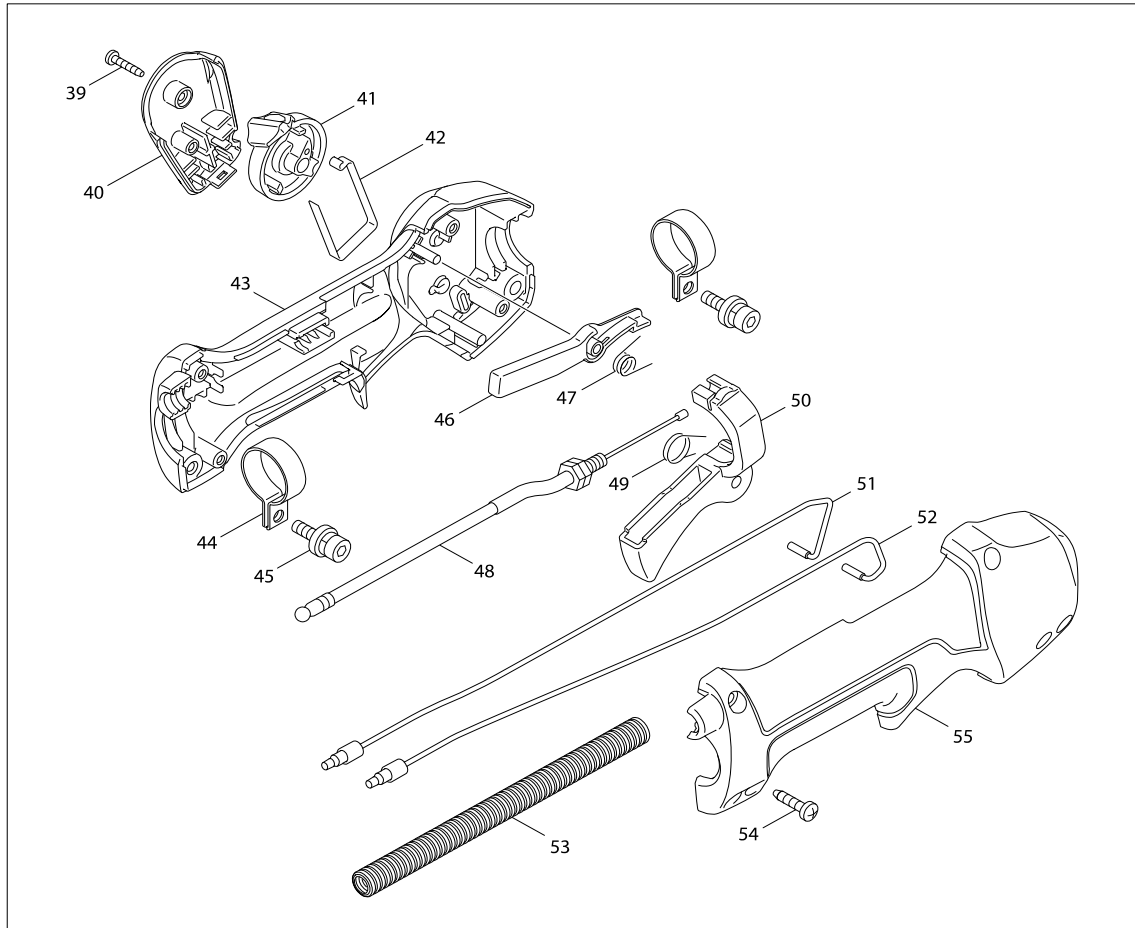
EX2650LH CS-246.4 C, CS-246.4CBC

1

Main Pipe Assembly, Handle

Products with multiple versions are listed in subsiding order with the newest version on top not indented.

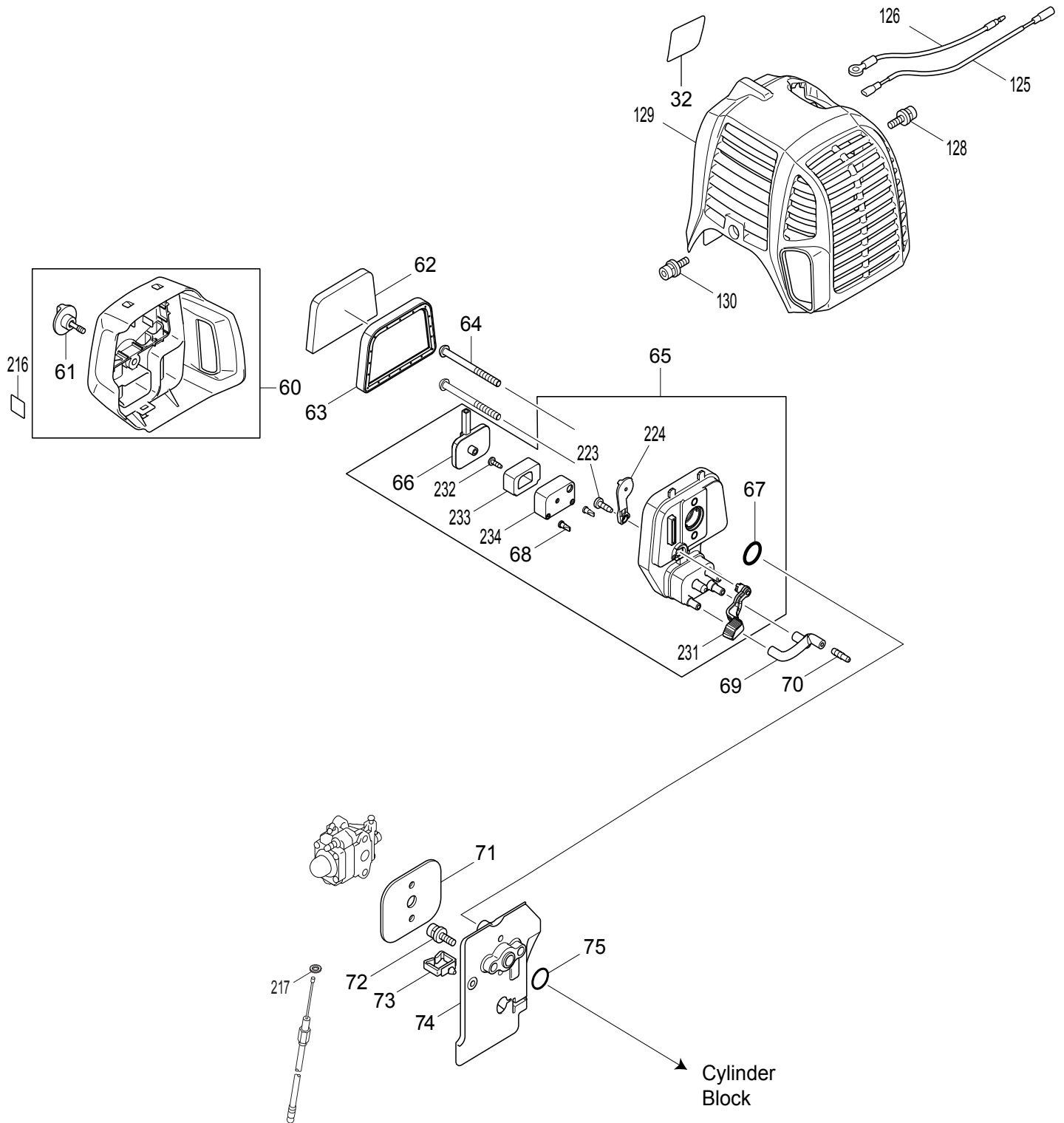
Section	Fig. No.	Part No.	Description	EX2650LH	CS-246.4C	CS-246.4C/BC	Tech Bulletin	Notes
1	2	451601-1	SPACER	1	1	1		
1	3	141238-9	SHAFT COMPLETE	1	1	1		
1	4	195143-2	HANGER SET	1	1	1		INC. 5
1	5	911233-1	PAN HEAD SCREW	1	1	1		
1	6	141008-6	SHAFT PIPE COMPLETE	1	1	1		
1	7	266034-5	TAPPING SCREW	2	2	2		
1	8	452840-6	RELEASE BUTTON COVER	1	1	1		
1	9	452839-1	RELEASE BUTTON	1	1	1		
1	10	265596-0	HEX. SOCKET HEAD BOLT	1	1	1		
1	11	312D49-5	JOINT PIPE	1	1	1		
1	11	318750-6	JOINT PIPE	1	1	1		
1	12	922211-6	HEX. SOCKET HEAD BOLT	1	1	1		
1	13	922342-1	HEX. SOCKET HEAD BOLT	1	1	1		
1	14	931302-2	HEXAGONAL NUT	1	1	1		
1	15	272268-0	LEVER	1	1	1		
1	16	253332-6	THIN WASHER	1	1	1		
1	17	213105-9	O RING	1	1	1		
1	18	252159-1	HEXAGONAL NUT	1	1	1		
1	19	259054-6	STOP RING	1	1	1		
1	20	961052-5	RETAINING RING	1	1	1		
1	38	125776-9	CONTROL LEVER ASS'Y	1	1	1		INC. 39-55
1	A03	195515-1	LOOP HANDLE SET	1	1	1		
1	A12	346467-1	CLAMP	1	1	1		
1	A13	346468-9	CLAMP	1	1	1		
1	A14	452842-2	CLAMP COVER	1	1	1		
1	A15	922244-1	H.S.H.BOLT WITH WG	2	2	2		



38

Products with multiple versions are listed in subsiding order with the newest version on top not indented.

Section	Fig. No.	Part No.	Description	EX2650LH	CS-246.4C	CS-246.4C/BC	Tech Bulletin	Notes
2	38	125776-9	CONTROL LEVER ASS'Y	1	1	1		INC. 39-55
2	39	266130-9	TAPPING SCREW BIND TP	1	1	1		
2	40	451595-0	SWITCH COVER	1	1	1		
2	41	451594-2	SWITCH LEVER	1	1	1		
2	42	232251-9	LEAF SPRING	1	1	1		
2	43	188832-6	LEVER CASE, SET	1	1	1		INC. 55
2	44	346248-3	CLAMP	2	2	2		
2	45	922218-2	H.S.H.BOLT WITH WR	2	2	2		
2	46	451593-4	LOCK LEVER	1	1	1		
2	47	233541-3	TORSION SPRING	1	1	1		
2	48	168571-4	CONTROL CABLE	1	1	1		
2	49	233540-5	TORSION SPRING	1	1	1		
2	50	455313-8	THROTTLE LEVER	1	1	1		
2	50	451592-6	THROTTLE LEVER	1	1	1		
2	51	638714-7	LEAD UNIT	1	1	1		
2	52	638713-9	LEAD UNIT	1	1	1		
2	53	452071-7	CORRUGATED TUBE	1	1	1		
2	54	266326-2	SCREW	4	4	4		
2	55	188832-6	LEVER CASE, SET	1	1	1		INC. 43



EX2650LH CS-246.4 C, CS-246.4CBC

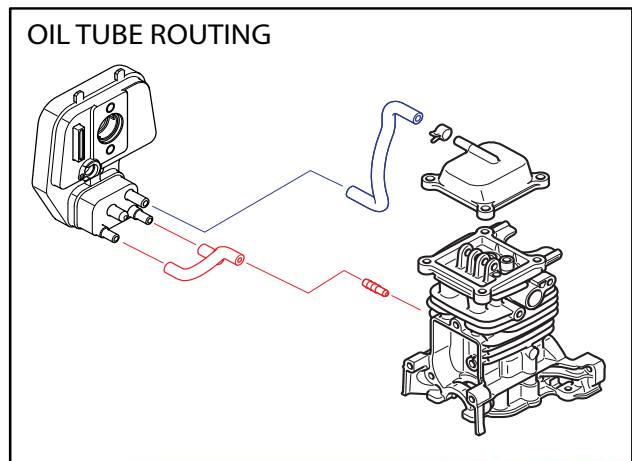
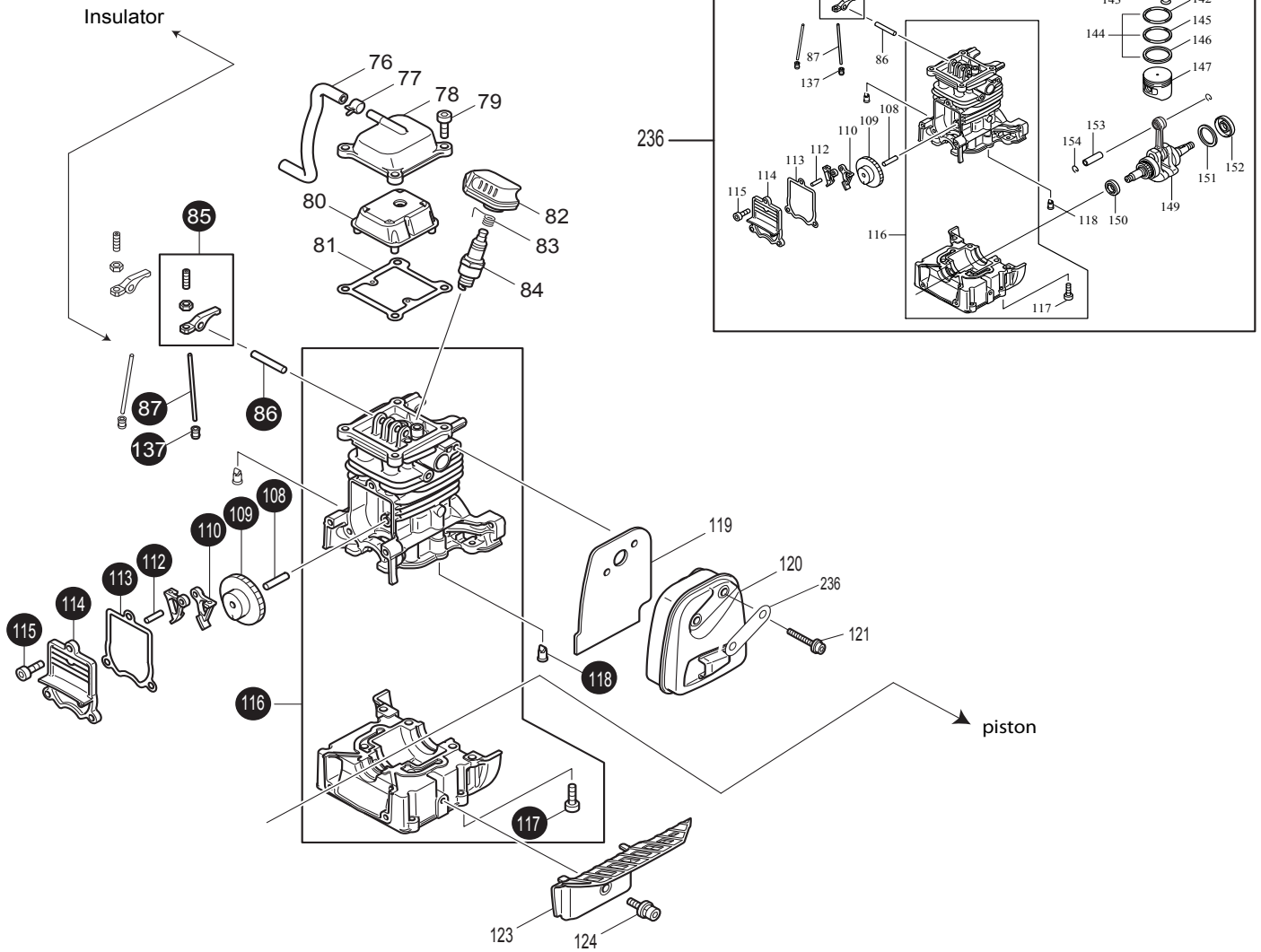
3

Insulator, Cleaner Base, Engine Cover

Products with multiple versions are listed in subsiding order with the newest version on top not indented.

Section	Fig. No.	Part No.	Description	EX2650LH	CS-246.4C	CS-246.4C/BC	Tech Bulletin	Notes
3	60	123499-3	AIR CLEANER COVER ASSY.	1	1	1	B1277	INC. 61
3	60	126202-1	AIR CLEANER COVER ASSY.	1	1	1		INC. 61
3	61	265791-2	THUMB SCREW	1	1	1		
3	62	443171-4	ELEMENT AIR CLEANER	1	1	1		
3	63	443169-1	ELEMENT AIR CLEANER	1	1	1		
3	64	266618-9	H.S.BUTTON HEAD BOLT	2	2	2		
3	65	123501-2	AIR CLEANER PLATE ASS'Y	1	1	1	B1277	INC. 66-68, 223, 224, 231-234
3	65	126198-6	AIR CLEANER PLATE ASS'Y	1	1	1		INC. 66-68, 223, 224, 231-234
3	66	162346-3	SEPARATOR PLATE	1	1	1		
3	67	213540-1	O RING	1	1	1		
3	68	424316-3	CHECK VALVE	2	2	2		
3	69	422099-9	PIPE	1	1	1		
3	70	325665-0	JOINT PIPE	1	1	1		
3	71	442153-3	CARBURETOR GASKET	1	1	1		
3	72	266787-6	H.S.H.BOLT	2	2	2		
3	73	451825-9	CLAMP	1	1	1		
3	74	451729-5	INSULATOR	1	1	1		
3	75	213547-7	O-RING	1	1	1		
3	125	638707-4	LEAD UNIT	1	1	1		
3	126	638708-2	LEAD UNIT	1	1	1		
3	128	922218-2	H.S.H.BOLT WITH WR	1	1	1		
3	129	453266-5	CYLINDER COVER	1				
3	129	453569-7	CYLINDER COVER		1	1		
3	130	922218-2	H.S.H.BOLT WITH WR	1	1	1		
3	216	800F73-7	INDICATION LABEL	1	1	1		
3	217	941152-7	FLAT WASHER	1	1	1		
3	223	266427-6	TAPPING SCREW	1	1	1		
3	224	452219-1	CHOKE PLATE	1	1	1		
3	231	452220-6	CHOKE LEVER	1	1	1		
3	232	266007-8	TAPPING SCREW BIND	1	1	1		
3	233	352020-3	SEPARATOR MESH	1	1	1		
3	234	453865-3	SEPARATOR CASE	1	1	1		

Included in Short Block Assembly Fig. No. 236.



Products with multiple versions are listed in subsiding order with the newest version on top not indented.

Section	Fig. No.	Part No.	Description	EX2650LH	CS-246.4C	CS-246.4C/BC	Tech Bulletin	Notes
4	76	422109-2	BREATHER PIPE	1	1	1		
4	77	345918-1	HOSE CLAMP	1	1	1		
4	78	318745-9	ROCKER COVER OUTER	1	1	1		
4	79	922222-1	HEX. SOCKET HEAD BOLT	4	4	4		
4	80	453860-3	ROCKER COVER INNER	1	1	1		
4	81	162304-9	ROCKER COVER GASKET	1	1	1		
4	82	424302-4	PLUG CAP	1	1	1		
4	83	324891-8	PLUG CAP SPRING	1	1	1		
4	84	168534-0	SPARK PLUG	1	1	1		NGK CMR4A .030
4	85	125554-7	ROCKER ARM ASS'Y	2	2	2		
4	86	256200-2	PIN	1	1	1		
4	87	256865-0	ROD	2	2	2		
4	88	325668-4	SPRING RETAINER	2	2	2		
4	108	268238-5	PIN	1	1	1		
4	108	592-35005-01	PIN	1	1	1		
4	109	125552-1	CAM GEAR ASS'Y	1	1	1		
4	110	313169-4	CAM LIFTER	2	2	2		
4	112	268239-3	PIN	1	1	1		
4	112	592-35006-00	PIN	1	1	1		
4	113	162274-2	CAM GEAR COVER GASKET	1	1	1		
4	114	318443-5	CAMGEAR COVER	1	1	1		
4	115	922222-1	HEX. SOCKET HEAD BOLT	3	3	3		
4	116	135478-9	CYLINDER BLOCK SET	1	1	1		INC. 88, 117, 118
4	117	922222-1	HEX. SOCKET HEAD BOLT	6	6	6		
4	118	424201-0	CHECK VALVE	2	2	2		
4	119	346331-6	MUFFLER GASKET	1	1	1		
4	120	168554-4	EXHAUST MUFFLER	1	1	1		
4	121	266440-4	HEX. SOCKET HEAD BOLT	2	2	2		
4	123	451731-8	MUFFLER PLATE	1	1	1		
4	124	922218-2	H.S.H.BOLT WITH WR	1	1	1		
4	137	424200-2	SPACER	2	2	2		
4	138	234108-0	COMPRESSION SPRING	2	2	2		
4	140	325669-2	EXHAUST VALVE	1	1	1		
4	142	257298-2	PISTON RING TOP	1	1	1		USE PISTON RING SET 195145-8
4	143	326367-1	INTAKE VALVE	1	1	1		
4	143	325670-7	INTAKE VALVE	1	1	1		

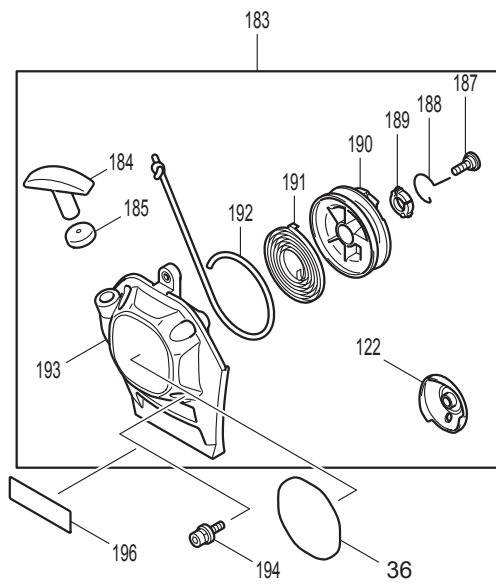
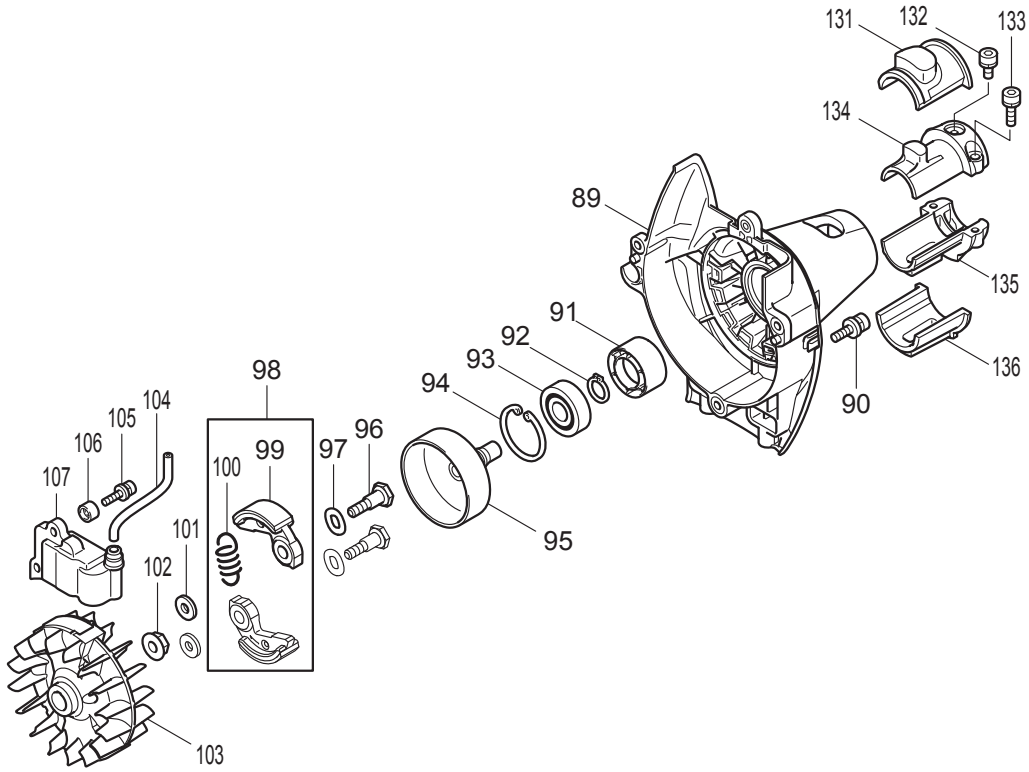
EX2650LH
CS-246.4 C, CS-246.4CBC

4

Piston, Cylinder, Muffler, Oil Tank

Products with multiple versions are listed in subsiding order with the newest version on top not indented.

Section	Fig. No.	Part No.	Description	EX2650LH	CS-246.4C	CS-246.4C/BC	Tech Bulletin	Notes
4	144	195145-8	PISTON RING SET	1	1	1		
4	145	257299-0	PISTON RING SECOND	1	1	1		USE PISTON RING SET 195145-8
4	146	257300-1	PISTON RING BOTTOM	1	1	1		USE PISTON RING SET 195145-8
4	147	318441-9	PISTON	1	1	1		
4	149	126204-7	CRANKSHAFT ASS'Y	1	1	1		
4	150	213769-9	OIL SEAL 10	1	1	1		
4	150	213148-1	OIL SEAL 10	1	1	1		
4	151	267400-9	FLAT WASHER	1	1	1		
4	152	213089-1	OIL SEAL 12	1	1	1		
4	152	213147-3	OIL SEAL 12	1	1	1		
4	153	257781-9	PISTON PIN	1	1	1		
4	154	233976-8	CLIP	2	2	2		
4	236	135668-4	SHORT BLOCK ASSEMBLY	1	1	1		



Products with multiple versions are listed in subsiding order with the newest version on top not indented.

Section	Fig. No.	Part No.	Description	EX2650LH	CS-246.4C	CS-246.4C/BC	Tech Bulletin	Notes
5	89	451735-0	CLUTCH CASE	1	1	1		
5	90	922228-9	H.S.H.BOLT WITH WR	3	3	3		
5	91	450569-8	SPACER	1	1	1		
5	92	961052-5	RETAINING RING	1	1	1		
5	93	211129-9	BALL BEARING 6201DDW	1	1	1		
5	93	210111-5	BALL BEARING	1	1	1		
5	94	962151-6	RETAINING RING	1	1	1		
5	95	161588-6	CLUTCH DRUM	1	1	1		
5	95	165704-2	CLUTCH DRUM	1	1	1		
5	96	266864-4	SHOULDER HEX. BOLT	2	2	2		
5	97	267817-6	WASHER	2	2	2		
5	98	126135-0	CLUTCH ASSY.	1	1	1		INC. 99-100
5	99	168498-8	CLUTCH SHOE	2	2	2		
5	100	231881-3	TENSION SPRING	1	1	1		
5	101	267812-6	WASHER	2	2	2		
5	102	264039-9	NUT	1	1	1		
5	103	318569-3	FLYWHEEL	1	1	1		
5	104	444021-6	TUBE	1	1	1		
5	105	266602-4	HEX. SOCKET HEAD BOLT	2	2	2		
5	106	452049-0	SPACER	2	2	2		
5	107	168559-4	IGNITION COIL	1	1	1		
5	122	168483-1	PULLEY STARTER	1	1	1		
5	131	424082-2	VIBRATION DAMPER	1	1	1		
5	132	922211-6	HEX. SOCKET HEAD BOLT	1	1	1		
5	133	922226-3	HEX. SOCKET HEAD BOLT	2	2	2		
5	134	318249-1	PIPE BRACKET	1	1	1		
5	135	318250-6	PIPE BRACKET	1	1	1		
5	136	424083-0	VIBRATION DAMPER	1	1	1		
5	183	195308-6	RECOIL STARTER SET	1	1	1		
5	184	424319-7	STARTER KNOB	1	1	1		
5	185	424359-5	DAMPER	1	1	1		
5	187	266585-8	TAPPING SCREW	1	1	1		
5	188	325923-4	SWING ARM	1	1	1		
5	189	451938-6	COLLAR	1	1	1		
5	190	451937-8	REEL	1	1	1		

EX2650LH
CS-246.4 C, CS-246.4CBC

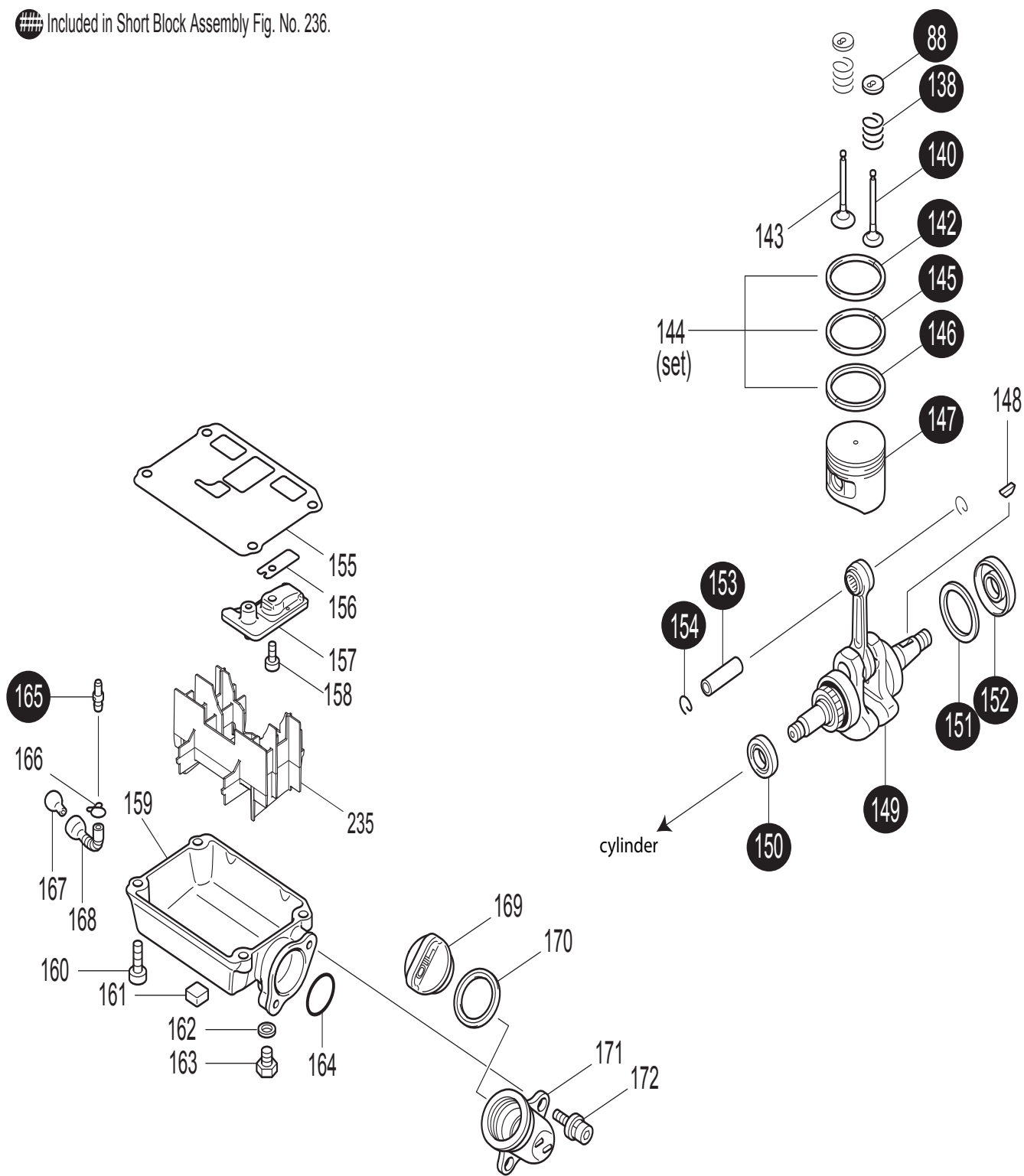
5

Clutch, Ignition, Starter

Products with multiple versions are listed in subsiding order with the newest version on top not indented.

Section	Fig. No.	Part No.	Description	EX2650LH	CS-246.4C	CS-246.4C/BC	Tech Bulletin	Notes
5	191	232258-5	SPIRAL SPRING	1	1	1		
5	192	444023-2	STARTER ROPE	1	1	1		
5	193	451733-4	STARTER CASE	1	1	1		
5	194	922223-9	H.S.H.BOLT WITH WR	4	4	4		

 Included in Short Block Assembly Fig. No. 236.



EX2650LH CS-246.4 C, CS-246.4CBC

6

Oil Tank, Crankshaft, Piston, Valves

Products with multiple versions are listed in subsiding order with the newest version on top not indented.

Section	Fig. No.	Part No.	Description	EX2650LH	CS-246.4C	CS-246.4C/BC	Tech Bulletin	Notes
6	88	325668-4	SPRING RETAINER	2	2	2		
6	138	234108-0	COMPRESSION SPRING	2	2	2		
6	140	325669-2	EXHAUST VALVE	1	1	1		
6	142	257298-2	PISTON RING TOP	1	1	1		USE PISTON RING SET 195145-8
6	143	326367-1	INTAKE VALVE	1	1	1		
6	143	325670-7	INTAKE VALVE	1	1	1		
6	144	195145-8	PISTON RING SET	1	1	1		
6	145	257299-0	PISTON RING SECOND	1	1	1		USE PISTON RING SET 195145-8
6	146	257300-1	PISTON RING BOTTOM	1	1	1		USE PISTON RING SET 195145-8
6	147	318441-9	PISTON	1	1	1		
6	148	254040-2	WOODRUFF KEY	1	1	1		
6	149	126204-7	CRANKSHAFT ASS'Y	1	1	1		INC. 150-152
6	150	213769-9	OIL SEAL 10	1	1	1		
6	150	213148-1	OIL SEAL 10	1	1	1		
6	151	267400-9	FLAT WASHER	1	1	1		
6	152	213089-1	OIL SEAL 12	1	1	1		
6	152	213147-3	OIL SEAL 12	1	1	1		
6	153	257781-9	PISTON PIN	1	1	1		
6	154	233976-8	CLIP	2	2	2		
6	155	162345-5	OIL CASE GASKET	1	1	1		
6	156	592-15010-00	LEAD VALVE	1	1	1		
6	157	318910-0	RETAINER PLATE	1	1	1		
6	158	922112-8	HEX. SOCKET HEAD BOLT	1	1	1		
6	159	318588-9	OIL CASE	1	1	1		
6	160	922222-1	HEX. SOCKET HEAD BOLT	4	4	4		
6	161	424344-8	DAMPER	1	1	1		
6	162	346305-7	GASKET	1	1	1		
6	163	266611-3	HEXAGON BOLT	1	1	1		
6	164	213548-5	O-RING	1	1	1		
6	165	325665-0	JOINT PIPE	1	1	1		
6	166	282020-8	HOSE CLAMP	1	1	1		
6	167	325666-8	OIL WEIGHT	1	1	1		
6	168	424301-6	OIL TUBE	1	1	1		
6	169	452047-4	OIL CAP	1	1	1		
6	170	424343-0	GASKET	1	1	1		

EX2650LH
CS-246.4 C, CS-246.4CBC

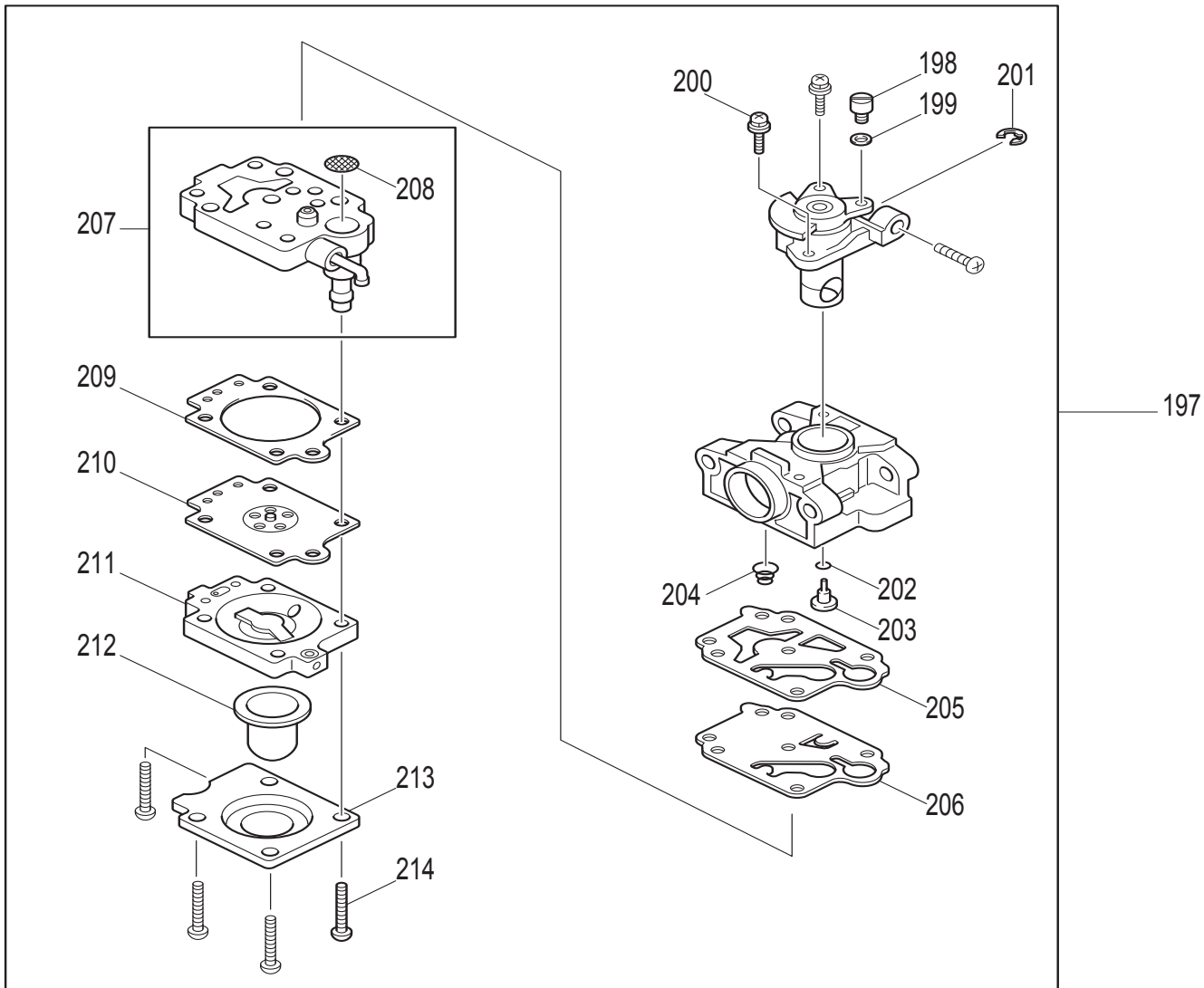
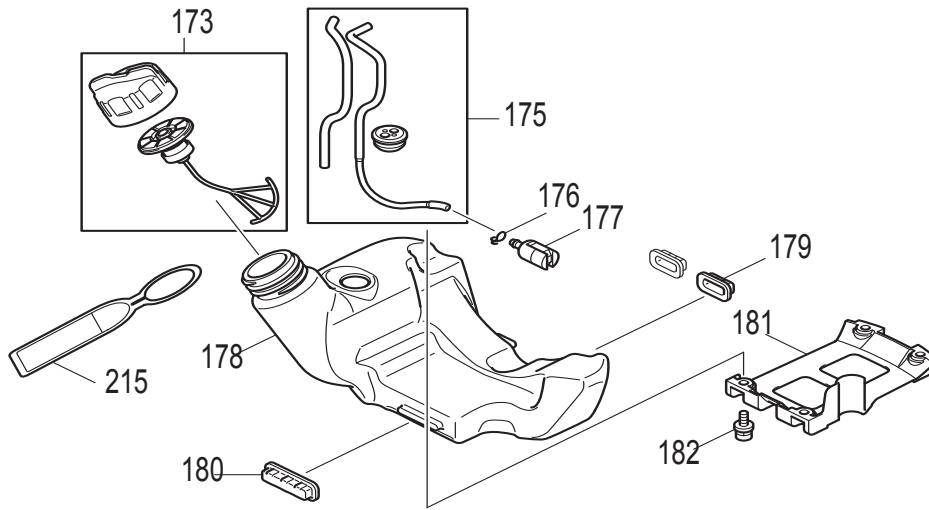
6

**Oil Tank, Crankshaft, Piston,
 Valves**

Products with multiple versions are listed in subsiding order with the newest version on top not indented.

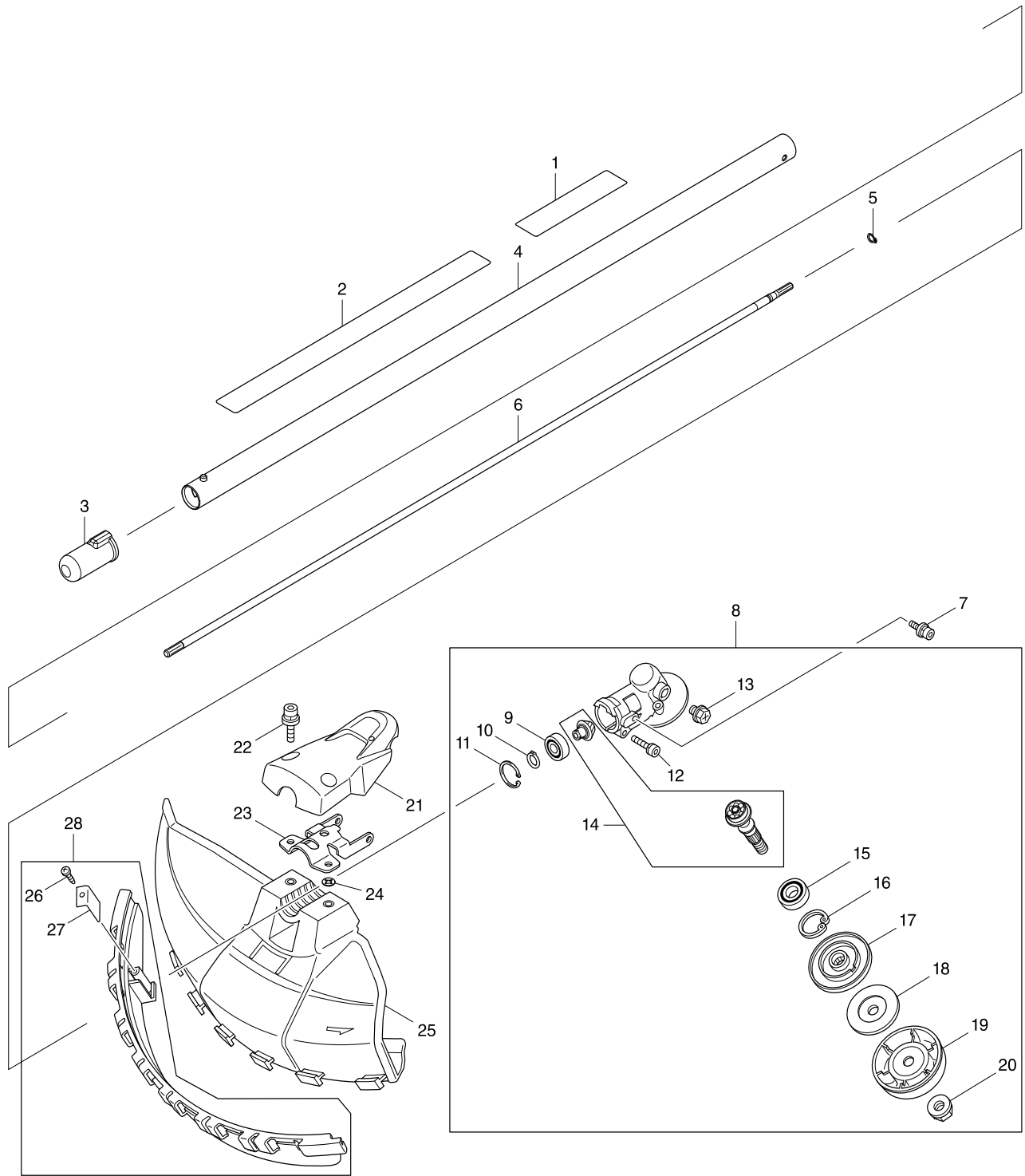
Section	Fig. No.	Part No.	Description	EX2650LH	CS-246.4C	CS-246.4C/BC	Tech Bulletin	Notes
6	170	021-32299-90	GASKET	1	1	1		
6	171	452048-2	OIL PIPE	1	1	1		
6	172	922218-2	H.S.H.BOLT WITH WR	2	2	2		
6	235	453862-9	OIL CASE PLATE	1	1	1		





Products with multiple versions are listed in subsiding order with the newest version on top not indented.

Section	Fig. No.	Part No.	Description	EX2650LH	CS-246.4C	CS-246.4C/BC	Tech Bulletin	Notes
7	173	125728-0	FUEL TANK CAP ASSEMBLY	1	1	1		
7	174	451739-2	FUEL TANK CAP	1	1	1		
7	175	168775-8	TUBE COMPLETE	1	1	1		
7	175	168755-4	TUBE COMPLETE	1	1	1		
7	176	282020-8	HOSE CLAMP	1	1	1		
7	177	163518-3	GASOLIN FILTER	1	1	1		
7	178	123419-7	FUEL TANK	1	1	1		
7	178	454010-3	FUEL TANK	1	1	1		
7	178	452249-2	FUEL TANK	1	1	1		
7	179	424080-6	VIBRATION DAMPER	2	2	2		
7	180	424081-4	VIBRATION DAMPER	1	1	1		
7	181	451737-6	TANK GUARD	1	1	1		
7	182	922218-2	H.S.H.BOLT WITH WR	4	4	4		
7	215	810455-9	CAUTION PLATE	1	1	1		
7	197	168762-7	CARBURETOR	1	1	1		
7	198	325922-6	SWIVEL	1	1	1		
7	199	413140-9	WASHER	1	1	1		
7	200	266581-6	PAN HEAD SCREW	2	2	2		
7	201	257964-1	STOP RING	1	1	1		
7	202	213538-8	O RING	1	1	1		
7	203	325985-2	JET	1	1	1		
7	204	234183-6	CONICAL COMPRESSION SPRING	1	1	1		
7	205	442155-9	PUMP GASKET	1	1	1		
7	206	WJ00009599	PUMP DIAPHRAGM	1	1	1		
7	206	168575-6	PUMP DIAPHRAGM	1	1	1		
7	207	141737-1	PUMP BODY	1	1	1		
7	208	352010-6	INLET SCREEN	1	1	1		
7	209	442154-1	METERING DIAPHRAGM GASKET	1	1	1		
7	210	168620-7	METERING DIAPHRAGM	1	1	1		
7	211	140438-8	AIR PURGE BODY ASS'Y	1	1	1		
7	212	424314-7	PRIMER PUMP	1	1	1		



EX2650LH CS-246.4 C, CS-246.4CBC

8

BC-CS Brushcutter Attachment

Products with multiple versions are listed in subsiding order with the newest version on top not indented.

Section	Fig. No.	Part No.	Description	EX2650LH	CS-246.4C	CS-246.4C/BC	Tech Bulletin	Notes
8	3	424434-7	CAP, BC-CS			1		
8	4	141010-9	SHAFT PIPE COMPLETE, BC-CS			1		
8	5	961003-8	RETAINING RING, BC-CS			1		
8	6	326088-5	SHAFT, BC-CS			1		
8	7	922218-2	H.S.H.BOLT WITH WR			2		
8	8	126264-9	GEAR CASE ASS'Y			1		
8	8	126102-5	GEAR CASE ASS'Y			1		
8	9	210051-7	BALL BEARING 609LLB			1		
8	9	210049-4	BALL BEARING			1		
8	10	961005-4	RETAINING RING, BC-CS			1		
8	11	962103-7	RETAINING RING			1		
8	12	922241-7	HEX. SOCKET HEAD BOLT			1		
8	13	265590-2	+HEX.BOLT WITH R			1		
8	14	187547-2	CUTTER SHAFT SET			1		
8	14	188902-1	CUTTER SHAFT SET			1		
8	15	211131-2	BALL BEARING 6001DDW			1		
8	15	210115-7	BALL BEARING			1		
8	16	962106-1	RETAINING RING			1		
8	17	331861-0	RECEIVE WASHER			1		
8	18	346084-7	CLAMP WASHER			1		
8	19	168526-9	SLIDING CUP			1		
8	20	264025-0	HEX NUT			1		
8	21	451097-6	PROTECTOR COVER			1		
8	22	266579-3	HEX. SOCKET HEAD BOLT			2		
8	23	346073-2	PROTECTOR CLAMP			1		
8	24	413143-3	WASHER			2		
8	25	452260-4	PROTECTOR			1		
8	26	266326-2	SCREW			1		
8	27	346074-0	LINE CUTTER			1		
8	28	135398-7	PROTECTOR EXTENSION ASSY			1		