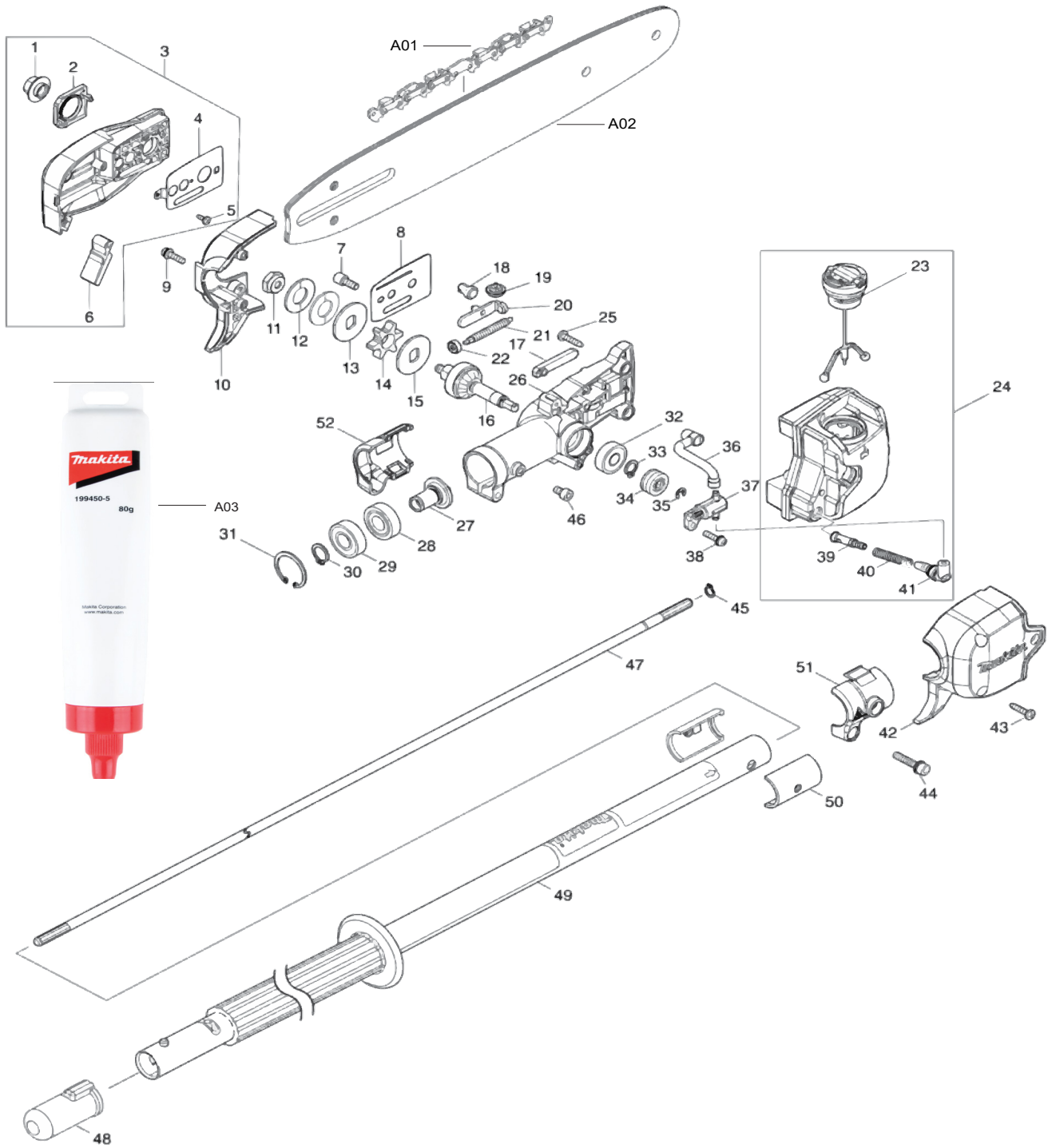




EY402MP



Products with multiple versions are listed in subsiding order with the newest version on top not indented.

Section	Fig. No.	Part No.	Description	EY402MP	Tech Bulletin	Notes
1	1	162494-8	FLANGE NUT COMPLETE	1		
1	2	412638-3	NUT COVER	1		
1	3	136373-6	SPROCKET COVER ASSY	1		INC. 1,2,4-6
1	4	347707-0	GUIDE PLATE L	1		
1	5	265954-0	TAPPING SCREW BIND PT3X8	1		
1	6	422599-9	CHIP GUIDE	1		
1	7	266905-6	H.L. SOCKET HEAD BOLT M5X12	1		
1	8	347708-8	GUIDE PLATE R	1		
1	9	911128-8	P.H.SCREW M4X16 WITH WR	2		
1	10	183P83-2	GEAR CASE HOUSING SET	1		INC. 42
1	11	252291-1	HEX. NUT M6	1		
1	12	232626-2	CORNED DISK SPRING 14	2		
1	13	347705-4	LOCK WASHER 12	1		
1	14	226992-7	SPROCKET 6	1		
1	15	347705-4	LOCK WASHER 12	1		
1	16	140V32-8	SPINDLE COMPLETE A	1		
1	17	422602-6	GROMET	1		
1	18	227620-7	DRIVE GEAR	1		
1	19	227634-6	STRAIGHT BEVEL GEAR 14	1		
1	20	347706-2	TENSION SLIDE	1		
1	21	327606-2	ADJUST SCREW	1		
1	22	227496-2	STRAIGHT BEVEL GEAR 14	1		
1	23	126832-8	TANK CAP ASSEMBLY	1		
1		213894-6	O-RING 25	1		Not Pictured
1	24	136372-8	OIL TANK ASSEMBLY	1		INC. 23,39-41
1	25	266326-2	TAPPING SCREW 4X18	3		
1	26	136301-1	GEAR CASE ASSEMBLY	1		
1		213437-4	O-RING 28	1		Not Pictured
1	27	227900-1	SPIRAL BEVEL GEAR 18 COMPLETE	1		
1	28	211131-2	BALL BEARING 6001DDW	1		
1	29	211101-1	BALL BEARING 6001ZZ	1		
1	29	211148-5	BALL BEARING 6001ZZ	1		
1	30	961052-5	RETAINING RING S-12	1		
1	31	962106-1	RETAINING RING R-28	1		
1	32	211491-2	BALL BEARING 609DDW	1		

Products with multiple versions are listed in subsiding order with the newest version on top not indented.

Section	Fig. No.	Part No.	Description	EY402MP	Tech Bulletin	Notes
1	33	961005-4	RETAINING RING S-9	1		
1	34	226884-0	WORM GEAR	1		
1	35	961011-9	STOP RING E-4	1		
1	36	422600-0	OIL TUBE 3-70	1		
1	37	140U04-7	OIL PUMP COMPLETE	1		
1	38	911128-8	P.H.SCREW M4X16 WITH WR	1		
1	39	452666-6	NIPPLE	1		
1	40	231975-4	SPRING	1		
1	41	422601-8	OIL TUBE 3-14	1		
1	42	183P83-2	GEAR CASE HOUSING SET	1		INC. 10
1	43	266326-2	TAPPING SCREW 4X18	3		
1	44	922243-3	HEX. SOCKET HEAD BOLT M5X25	1		
1	45	961003-8	RETAINING RING S-7	1		
1	46	922202-7	HEX. SOCKET HEAD BOLT M5X8	1		
1	47	327828-4	SHAFT A	1		
1	48	424434-7	CAP 24	2		
1	49	141D97-5	GRIP PIPE COMPLETE	1		
1		163525-6	LEAF SPRING COMPLETE	1		
1	50	312A03-1	SLEEVE 28	1		
1	51	183R91-5	GEAR CASE COVER SET	1		INC. 52
1	52	183R91-5	GEAR CASE COVER SET	1		INC.51
1	A01	E-12740	SAW CHAIN SET	1		
1	A02	E-12734	GUIDE BAR 10"	1		
1	A03	199450-5	GEAR CASE GREASE	1		