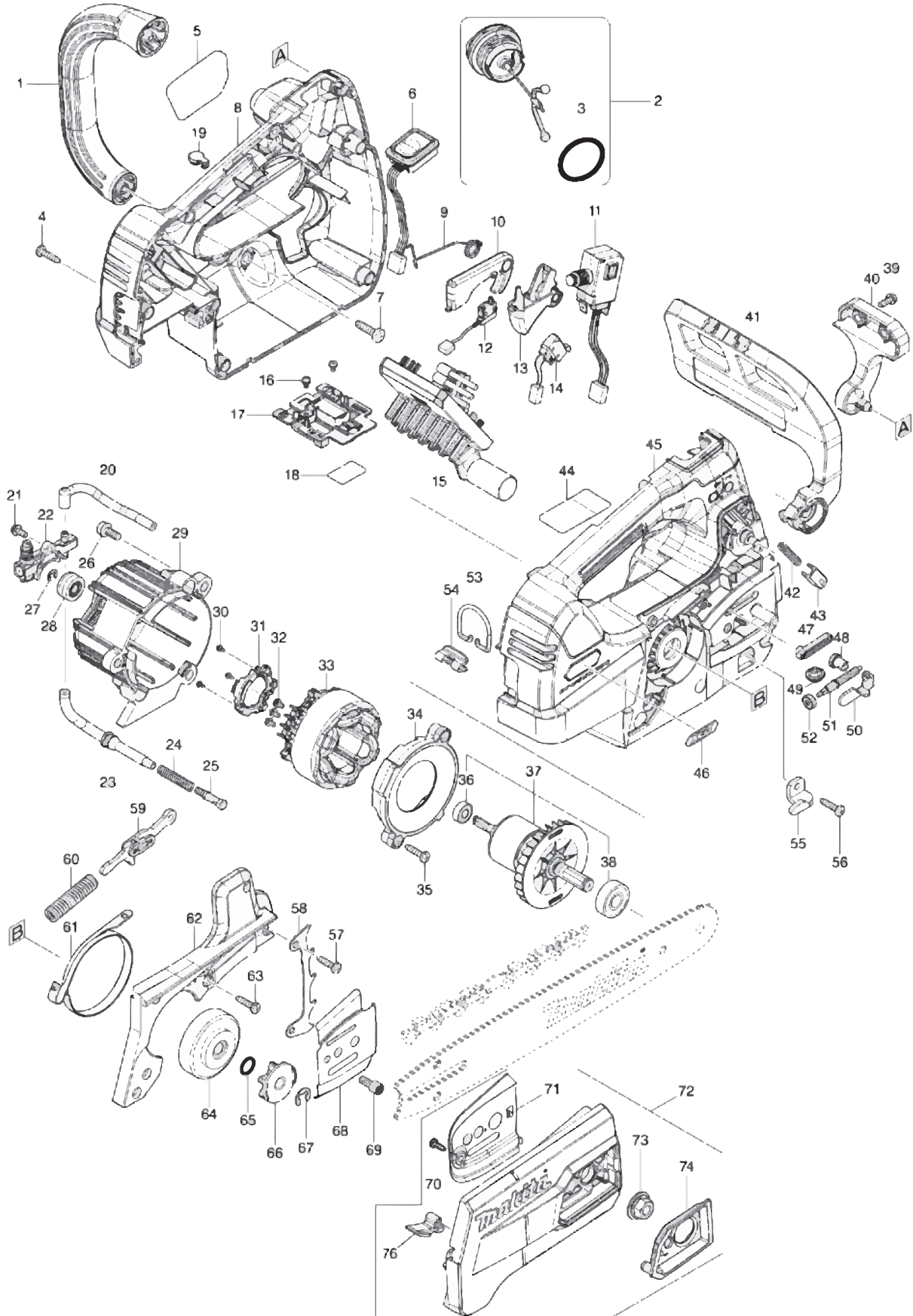




GCU03



Products with multiple versions are listed in subsiding order with the newest version on top not indented.

Section	Fig. No.	Part No.	Description	GCU03	Tech Bulletin	Notes
1	1	413979-0	FRONT HANDLE	1		
1	2	122A77-2	TANK CAP ASSEMBLY	1		INC. 3
1	3	213080-9	O RING 29.5	1		
1	4	266326-2	TAPPING SCREW 4X18	8		
1	6	141G07-0	SWITCH CIRCUIT COMPLETE	1		
1		810D46-0	SWITCH LABEL	1		INC WITH FIG 6
1	7	266420-0	TAPPING SCREW 5X20	2		
1	8	183U58-1	HOUSING SET	1		INC. 19,45
1		263005-3	RUBBER PIN 6	2		INC WITH FIG 8/NOT PICTURED
1	9	232713-7	TORSION SPRING 10	1		
1	10	413987-1	CATCH LEVER	1		
1	11	650011-1	SWITCH C3JR-4BM-PAND3	1		
1	12	632L49-0	SWITCH UNIT	1		
1	13	459282-5	SWITCH LEVER	1		
1	14	632L48-2	SWITCH UNIT	1		
1	15	620F01-4	CONTROLLER	1		
1	16	652031-1	PAN HEAD SCREW M3X6	2		
1	17	632S63-8	TERMINAL UNIT	1		
1	19	422467-6	CAP	1		
1	20	422764-0	OIL TUBE 3-85	1		
1	21	911113-1	PAN HEAD SCREW M4X10 WITH WR	1		
1	22	142156-4	OIL PUMP COMPLETE	1		
1	23	422765-8	OIL TUBE 3-109	1		
1	24	231975-4	SPRING	1		
1	25	452666-6	NIPPLE	1		
1	26	911218-7	PAN HEAD SCREW M5X14	3		
1	27	961011-9	STOP RING E-4	1		
1	28	226884-0	WORM GEAR	1		
1	29	413904-1	MOTOR HOUSING	1		
1	30	652093-9	PAN HEAD SCREW M2X5	3		
1	31	620F73-9	SENSOR UNIT	1		
1	32	652069-6	FLAT HEAD SCREW M3X6	3		
1	33	629A85-9	STATOR	1		

Products with multiple versions are listed in subsiding order with the newest version on top not indented.

Section	Fig. No.	Part No.	Description	GCU03	Tech Bulletin	Notes
1	34	413980-5	BAFFLE PLATE	1		
1	35	266326-2	TAPPING SCREW 4X18	2		
1	36	210026-6	BALL BEARING 696ZZ	1		
1	37	519710-3	ROTOR ASSY	1		INC. 36,38
1	38	210059-1	BALL BEARING 6000DDW	1		
1	39	911118-1	PAN HEAD SCREW M4X12	2		
1	40	413907-5	FRONT HAND GUARD RETAINER	1		
1	41	141E63-8	FRONT HAND GUARD COMPLETE	1		
1	42	232714-5	COMPRESSION SPRING 3	1		
1	43	313212-9	HAND GUARD GUIDE	1		
1	45	183U58-1	HOUSING SET	1		INC. 8,19
1		263005-3	RUBBER PIN 6	2		INC WITH FIG 45/NOT PICTURED
1	47	422466-8	GROMET	1		
1	48	227620-7	DRIVE GEAR 14	1		
1	49	227634-6	STRAIGHT BEVEL GEAR 14	1		
1	50	347517-5	TENSION SLIDE	1		
1	51	327317-9	ADJUST SCREW	1		
1	52	227496-2	STRAIGHT BEVEL GEAR 14	1		
1	53	281222-3	HOOK	1		
1	54	347514-1	HOOK SUPPORT	1		
1	55	347516-7	CHAIN CATCHER	1		
1	56	266326-2	TAPPING SCREW 4X18	1		
1	57	266326-2	TAPPING SCREW 4X18	2		
1	58	346809-9	SPIKE BUMPER	1		
1	59	141E60-4	LINK PLATE COMPLETE	1		
1	60	232452-9	COMPRESSION SPRING 7	1		
1	61	347864-4	BRAKE BAND	1		
1	62	413981-3	HOUSING R COVER	1		
1	63	266326-2	TAPPING SCREW 4X18	5		
1	64	162979-4	BRAKE DRUM	1		
1	65	213060-5	O RING 10	1		
1	66	191V90-7	SPROCKET 6 SET	1		

Products with multiple versions are listed in subsiding order with the newest version on top not indented.

Section	Fig. No.	Part No.	Description	GCU03	Tech Bulletin	Notes
1	67	961013-5	STOP RING E-7	1		
1	68	347533-7	GUIDE PLATE L	1		
1	69	266905-6	H.L. SOCKET HEAD BOLT M5X12	1		
1	70	266007-8	TAPPING SCREW BIND PT 3X10	1		
1	71	347534-5	GUIDE PLATE R	1		
1	72	136573-8	SPROCKET COVER ASS'Y	1		INC. 70,71,73,74,76
1	73	162494-8	FLANGE NUT COMPLETE	1		
1	74	413986-3	NUT COVER	1		
1	76	422310-9	CHIP GUIDE	1		
1	A01	191G17-7	GUIDE BAR 16 SET	1		
1	A02	419242-9	CHAIN COVER	1		
1	A04	E-00240	SAW CHAIN SET	1		
1	A05	782023-7	WRENCH 13-16	1		NOT PICTURED