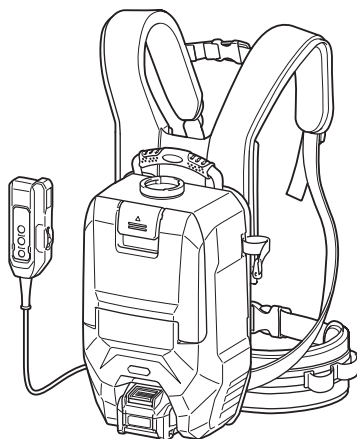


**INSTRUCTION MANUAL
MANUAL DE INSTRUCCIONES**



Cordless Backpack Vacuum Cleaner Aspiradora de mochila a batería GCV06



IMPORTANT: Read Before Using.
IMPORTANTE: Lea antes de usar.

SPECIFICATIONS

Model:		GCV06
Capacity	Filter bag	2.0 L (0.53 gal.)
	Dust bag	1.5 L (0.40 gal.)
Maximum air volume		1.9 m ³ /min (67.1 cu.ft./min)
Vacuum		18 kPa
Dimensions (L x W x H) (excluding the harness, with BL4040)		233 mm x 150 mm x 375 mm (9-1/8" x 5-7/8" x 14-3/4")
Rated voltage		D.C. 36 V - 40 V max
Net weight		4.1 - 5.3 kg (9.0 - 11.7 lbs)

- Due to our continuing program of research and development, the specifications herein are subject to change without notice.
- Specifications may differ from country to country.
- The weight does not include accessories but battery cartridge(s). The lightest and heaviest combination weight of the appliance and battery cartridge(s) are shown in the table.

Applicable battery cartridge and charger

Battery cartridge	BL4020 / BL4025 / BL4040 / BL4050F / BL4080F
Charger	DC40RA / DC40RB / DC40RC

- Some of the battery cartridges and chargers listed above may not be available depending on your region of residence.

⚠ WARNING: Only use the battery cartridges and chargers listed above. Use of any other battery cartridges and chargers may cause injury and/or fire.

⚠ WARNING: Do not use a corded power supply such as battery adapter or portable power pack with this appliance. The cable of such power supply may hinder the operation and result in personal injury.

SAFETY WARNINGS

IMPORTANT SAFETY INSTRUCTIONS

When using an electrical appliance, basic precautions should always be followed, including the following:

**READ ALL
INSTRUCTIONS
BEFORE USING
THIS APPLIANCE.**

WARNING

To reduce the risk of fire, electric shock or injury:

1. **Do not leave appliance when battery fitted. Remove battery from appliance when not in use and before servicing.**
2. **Do not use on wet surfaces. Do not expose to rain. Store indoors.**
3. **Do not allow to be used as a toy. Close attention is necessary when used by or near children.**
4. **Use only as described in this manual. Use only manufacturer's recommended attachments.**
5. **Do not use with damaged battery. If appliance is not working as it should, has been dropped, damaged, left outdoors, or dropped into water, return it to a service center.**

6. **Do not handle appliance with wet hands.**
7. **Do not put any object into openings. Do not use with any opening blocked; keep free of dust, lint, hair, and anything that may reduce air flow.**
8. **Keep hair, loose clothing, fingers, and all parts of body away from openings and moving parts.**
9. **Turn off all controls before removing the battery cartridge.**
10. **Use extra care when cleaning on stairs.**
11. **Do not use to pick up flammable or combustible liquids, such as gasoline, or use in areas where they may be present.**
12. **Do not pick up anything that is burning or smoking, such as cigarettes, matches, or hot ashes.**
13. **Do not use without dust collecting bag in place.**
14. **Do not charge the battery outdoors.**
15. **Prevent unintentional starting. Ensure the switch is in the off-position before connecting to battery pack, picking up or carrying the appliance. Carrying the appliance with your finger on the switch or energizing appliance that have the switch on invites accidents.**
16. **Disconnect the battery pack from the appliance before making any adjustments, changing accessories, or storing appliance.** Such preventive safety measures reduce the risk of starting the appliance accidentally.
17. **Recharge only with the charger specified by the manufacturer.** A charger that is suitable for one type of battery pack may create a risk of fire when used with another battery pack.
18. **Use appliances only with specifically designated battery packs.** Use of any other battery packs may create a risk of injury and fire.
19. **When battery pack is not in use, keep it away from other metal objects, like paper clips, coins, keys, nails, screws or other small metal objects, that can make a connection from one terminal to another.** Shorting the battery terminals together may cause burns or a fire.
20. **Under abusive conditions, liquid may be ejected from the battery; avoid contact. If contact accidentally occurs, flush with water. If liquid contacts eyes, additionally seek medical help.** Liquid ejected from the battery may cause irritation or burns.
21. **Do not use a battery pack or appliance that is damaged or modified. Damaged or modified batteries may exhibit unpredictable behaviour resulting in fire, explosion or risk of injury.**
22. **Do not expose a battery pack or appliance to fire or excessive temperature. Exposure to fire or temperature above 130 °C may cause explosion.**
23. **Follow all charging instructions and do not charge the battery pack or appliance outside of the temperature range specified in the instructions.** Charging improperly or at temperatures outside of the specified range may damage the battery and increase the risk of fire.
24. **Have servicing performed by a qualified repair person using only identical replacement parts.** This will ensure that the safety of the product is maintained.
25. **Do not modify or attempt to repair the appliance or the battery pack except as indicated in the instructions for use and care.**
26. **Do not use a corded power supply such as battery adapter or portable power pack with this machine.** The cable of such power supply may hinder the operation and result in personal injury.

SAVE THESE INSTRUCTIONS.

This appliance is intended for commercial use.

ADDITIONAL SAFETY RULES

1. Read this instruction manual and the charger instruction manual carefully before use.
2. Do not vacuum the following:
 - Flammable liquid (kerosene, gasoline, solvents such as benzene, thinner, etc.)
 - Hot substances that are burning or smoking (cigarettes, matches, incense sticks, candles, hot ashes), sparks and metal dust generated by cutting or grinding metal, etc.
 - Flammable material (toner, paint, spray, etc.)
 - Foam like carpet cleaning agent, etc. (they may cause explosion or fire)
 - Explosive or pyrophoric substances (nitroglycerin, aluminum, magnesium, titanium, zinc, red phosphorus, yellow phosphorus, celluloid, etc. and their dust, gas or steam)
 - Sharp objects (glass, cutlery, wood splinter, metal, stone, nail, razor, push pin, etc.)
 - Solidifying and conductive fine powder (metal or carbon powder)
 - Dehumidifier
 - Large amount of powder (flour, fire extinguisher powder, etc.)
 - Substances that cause toxic symptoms
 - Aggressive chemicals (acid, leach, etc.)
 - Liquid or damp garbage, including vomit and excreta
 - Asbestos
 - Pesticides

Such action may cause fire, injury and/or property damage.


To reduce your exposure to these chemicals, always wear approved respiratory protection such as dust masks that are specially designed to filter out microscopic particles. Direct the exhaust air away from your face and body.

NOTE: Read the OSHA regulation on silica dust to understand the requirements needed to reduce exposure to silica dust at the job-site. Specific rules apply to the drilling, demolition cutting and grinding materials that contain silica. All OSHA requirements regarding reducing silica dust can be found at the OSHA website: www.osha.gov.

3. Stop operation immediately if you notice anything abnormal.
4. If you drop or strike the cleaner, check it carefully for cracks or damage before operation.
5. Do not bring close to stoves or other heat sources.
6. Do not block the intake hole or vent holes.

Symbols

The followings show the symbols used for tool.

V	volts
	direct current

Important safety instructions for battery cartridge

1. Before using battery cartridge, read all instructions and cautionary markings on (1) battery charger, (2) battery, and (3) product using battery.
2. Do not disassemble or tamper with the battery cartridge. It may result in a fire, excessive heat, or explosion.
3. If operating time has become excessively shorter, stop operating immediately. It may result in a risk of overheating, possible burns and even an explosion.
4. If electrolyte gets into your eyes, rinse them out with clear water and seek medical attention right away. It may result in loss of your eyesight.

5. **Do not short the battery cartridge:**
 - (1) **Do not touch the terminals with any conductive material.**
 - (2) **Avoid storing battery cartridge in a container with other metal objects such as nails, coins, etc.**
 - (3) **Do not expose battery cartridge to water or rain.**

A battery short can cause a large current flow, overheating, possible burns and even a breakdown.
6. **Do not store and use the tool and battery cartridge in locations where the temperature may reach or exceed 50 °C (122 °F).**
7. **Do not incinerate the battery cartridge even if it is severely damaged or is completely worn out. The battery cartridge can explode in a fire.**
8. **Do not nail, cut, crush, throw, drop the battery cartridge, or hit against a hard object to the battery cartridge.** Such conduct may result in a fire, excessive heat, or explosion.
9. **Do not use a damaged battery.**
10. **The contained lithium-ion batteries are subject to the Dangerous Goods Legislation requirements.** For commercial transports e.g. by third parties, forwarding agents, special requirement on packaging and labeling must be observed. For preparation of the item being shipped, consulting an expert for hazardous material is required. Please also observe possibly more detailed national regulations. Tape or mask off open contacts and pack up the battery in such a manner that it cannot move around in the packaging.
11. **When disposing the battery cartridge, remove it from the tool and dispose of it in a safe place. Follow your local regulations relating to disposal of battery.**
12. **Use the batteries only with the products specified by Makita.** Installing the batteries to non-compliant products may result in a fire, excessive heat, explosion, or leak of electrolyte.
13. **If the tool is not used for a long period of time, the battery must be removed from the tool.**
14. **During and after use, the battery cartridge may take on heat which can cause burns or low temperature burns. Pay attention to the handling of hot battery cartridges.**
15. **Do not touch the terminal of the tool immediately after use as it may get hot enough to cause burns.**
16. **Do not allow chips, dust, or soil stuck into the terminals, holes, and grooves of the battery cartridge.** It may result in poor performance or breakdown of the tool or battery cartridge.
17. **Unless the tool supports the use near high-voltage electrical power lines, do not use the battery cartridge near a high-voltage electrical power lines.** It may result in a malfunction or breakdown of the tool or battery cartridge.
18. **Keep the battery away from children.**

SAVE THESE INSTRUCTIONS.

⚠ CAUTION: Only use genuine Makita batteries. Use of non-genuine Makita batteries, or batteries that have been altered, may result in the battery bursting causing fires, personal injury and damage. It will also void the Makita warranty for the Makita tool and charger.

Tips for maintaining maximum battery life

1. **Charge the battery cartridge before completely discharged. Always stop tool operation and charge the battery cartridge when you notice less tool power.**
2. **Never recharge a fully charged battery cartridge. Overcharging shortens the battery service life.**
3. **Charge the battery cartridge with room temperature at 10 °C - 40 °C (50 °F - 104 °F). Let a hot battery cartridge cool down before charging it.**
4. **When not using the battery cartridge, remove it from the tool or the charger.**
5. **Charge the battery cartridge if you do not use it for a long period (more than six months).**

Important safety instructions for wireless unit

1. Do not disassemble or tamper with the wireless unit.
2. Keep the wireless unit away from young children. If accidentally swallowed, seek medical attention immediately.
3. Use the wireless unit only with Makita tools.
4. Do not expose the wireless unit to rain or wet conditions.
5. Do not use the wireless unit in places where the temperature exceeds 50 °C (122 °F).
6. Do not operate the wireless unit in places where medical instruments, such as heart pace makers are nearby.
7. Do not operate the wireless unit in places where automated devices are nearby. If operated, automated devices may develop malfunction or error.
8. Do not operate the wireless unit in places under high temperature or places where static electricity or electrical noise could be generated.
9. The wireless unit can produce electromagnetic fields (EMF) but they are not harmful to the user.
10. The wireless unit is an accurate instrument. Be careful not to drop or strike the wireless unit.
11. Avoid touching the terminal of the wireless unit with bare hands or metallic materials.
12. Always remove the battery on the product when installing the wireless unit into it.
13. When opening the lid of the slot, avoid the place where dust and water may come into the slot. Always keep the inlet of the slot clean.
14. Always insert the wireless unit in the correct direction.
15. Do not press the wireless activation button on the wireless unit too hard and/or press the button with an object with a sharp edge.
16. Always close the lid of the slot when operating.
17. Do not remove the wireless unit from the slot while the power is being supplied to the tool. Doing so may cause a malfunction of the wireless unit.
18. Do not remove the sticker on the wireless unit.
19. Do not put any sticker on the wireless unit.
20. Do not leave the wireless unit in a place where static electricity or electrical noise could be generated.
21. Do not leave the wireless unit in a place subject to high heat, such as a car sitting in the sun.
22. Do not leave the wireless unit in a dusty or powdery place or in a place corrosive gas could be generated.
23. Sudden change of the temperature may bedew the wireless unit. Do not use the wireless unit until the dew is completely dried.
24. When cleaning the wireless unit, gently wipe with a dry soft cloth. Do not use benzine, thinner, conductive grease or the like.
25. When storing the wireless unit, keep it in the supplied case or a static-free container.

26. Do not insert any devices other than Makita wireless unit into the slot on the tool.
27. Do not use the tool with the lid of the slot damaged. Water, dust, and dirt come into the slot may cause malfunction.
28. Do not pull and/or twist the lid of the slot more than necessary. Restore the lid if it comes off from the tool.
29. Replace the lid of the slot if it is lost or damaged.

SAVE THESE INSTRUCTIONS.

FUNCTIONAL DESCRIPTION

CAUTION: Always be sure that the appliance is switched off and the battery cartridge is removed before adjusting or checking function on the appliance.

Installing or removing battery cartridge

CAUTION: Always switch off the tool before installing or removing of the battery cartridge.

CAUTION: Hold the tool and the battery cartridge firmly when installing or removing battery cartridge. Failure to hold the tool and the battery cartridge firmly may cause them to slip off your hands and result in damage to the tool and battery cartridge and a personal injury.

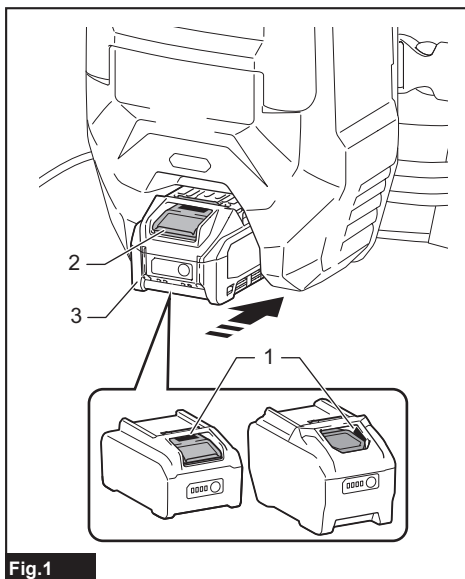


Fig.1

- 1. Red indicator 2. Button 3. Battery cartridge

To remove the battery cartridge, slide it from the tool while sliding the button on the front of the cartridge.

To install the battery cartridge, align the tongue on the battery cartridge with the groove in the housing and slip it into place. Insert it all the way until it locks in place with a little click. If you can see the red indicator as shown in the figure, it is not locked completely.

⚠ CAUTION: Always install the battery cartridge fully until the red indicator cannot be seen. If not, it may accidentally fall out of the tool, causing injury to you or someone around you.

⚠ CAUTION: Do not install the battery cartridge forcibly. If the cartridge does not slide in easily, it is not being inserted correctly.

Indicating the remaining battery capacity

Press the check button on the battery cartridge to indicate the remaining battery capacity. The indicator lamps light up for a few seconds.

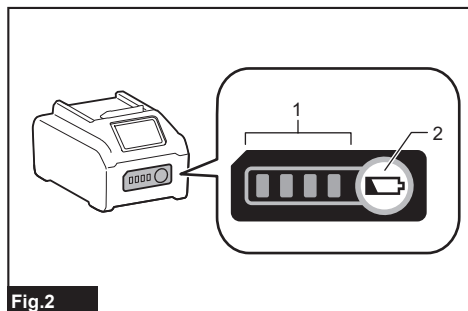


Fig.2

► 1. Indicator lamps 2. Check button

Indicator lamps			Remaining capacity
Lighted	Off	Blinking	
■ ■ ■ ■			75% to 100%
■ ■ ■ □			50% to 75%
■ ■ □ □			25% to 50%
■ □ □ □			0% to 25%
▣ □ □ □			Charge the battery.
■ ■ □ □	↑ ↓	■ ■	The battery may have malfunctioned.

NOTE: Depending on the conditions of use and the ambient temperature, the indication may differ slightly from the actual capacity.

NOTE: The first (far left) indicator lamp will blink when the battery protection system works.

Indicating the remaining battery capacity

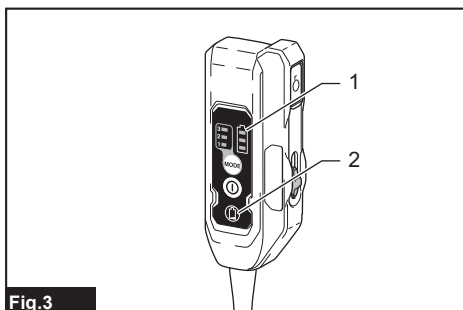


Fig.3

► 1. Battery indicator 2. ⏻ button

Press the ⏻ button to indicate the remaining battery capacities.

Battery indicator status			Remaining battery capacity
On	Off	Blinking	
	■ ■ ■ ■		50% to 100%
	■ ■ ■ □		20% to 50%
	■ ■ □ □		0% to 20%
	■ □ □ □		Charge the battery

Appliance / battery protection system

The appliance is equipped with appliance / battery protection system. This system automatically cuts off power to the motor to extend appliance and battery life. In this situation, the battery indicator lights up as following table.

Battery indicator status			Status
On	Off	Blinking	
	■ ■ ■ ■		Overload protection (battery) / Overheat protection (battery) / Overdischarge protection
	■ □ □ □		Overheat protection (appliance)

The appliance will automatically stop during operation if the appliance or battery is placed under one of the following conditions:

Overload protection

When the appliance / battery is operated in a manner that causes it to draw an abnormally high current, the appliance automatically stops. In this situation, turn the appliance off and stop the application that caused the appliance to become overloaded. Then turn the appliance on to restart.

Overheat protection

When the appliance / battery is overheated, the appliance stops automatically. In this situation, let the appliance / battery cool down before turning the appliance on again.

Overdischarge protection

When the battery capacity becomes low, the appliance stops automatically. If the product does not operate even when the switches are operated, remove the batteries from the appliance and charge the batteries.

Protections against other causes

Protection system is also designed for other causes that could damage the appliance and allows the appliance to stop automatically. Take all the following steps to clear the causes, when the appliance has been brought to a temporary halt or stop in operation.

1. Turn the appliance off, and then turn it on again to restart.
2. Charge the battery(ies) or replace it/them with recharged battery(ies).
3. Let the appliance and battery(ies) cool down.

If no improvement can be found by restoring protection system, then contact your local Makita Service Center.

Adjusting belts

The tightness of the shoulder belts, upper and lower belts can be adjusted. Put your arms through the shoulder belts first then fasten the lower and upper belts. To tighten, pull the end of the strap as illustrated. To loosen, pull up the end of the fastener.

Lower belt

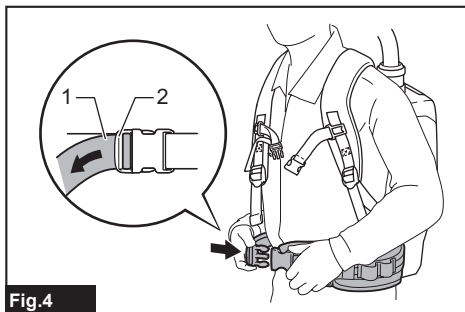


Fig.4

► 1. Strap 2. Fastener

Shoulder belts

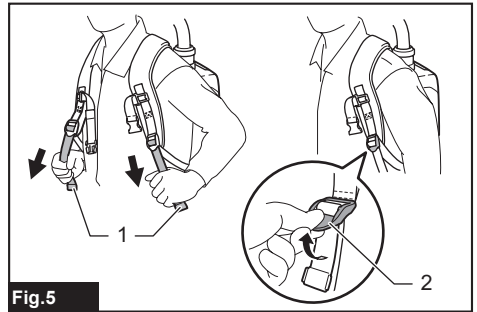


Fig.5

► 1. Strap 2. Fastener

Upper belt

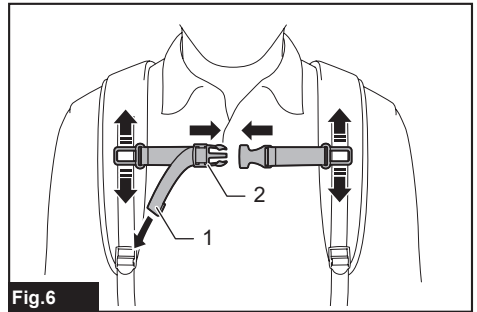


Fig.6

► 1. Strap 2. Fastener

Carrying hook

CAUTION: Use the hanging/mounting parts for their intended purposes only. Using for unintended purpose may cause accident or personal injury.

Always grab the carrying hook when handling the vacuum cleaner body.

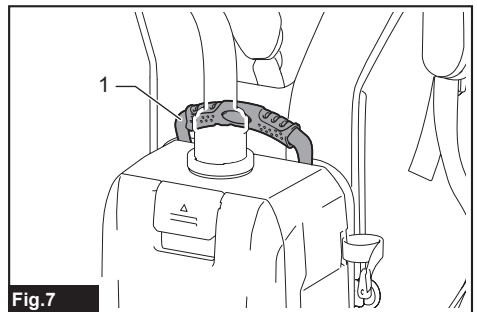


Fig.7

► 1. Carrying hook

Stand-by switch

The stand-by switch is the switch to turn on/off the wireless activation function. The vacuum cleaner is in the stand-by state regardless of the switch position and it runs when **1** button is pushed.

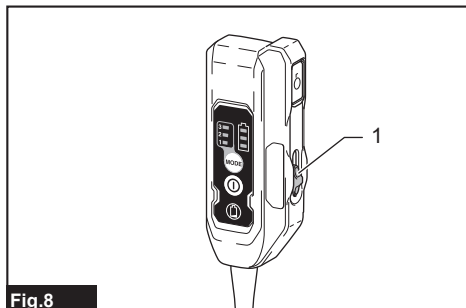


Fig.8

► 1. Stand-by switch

Switch position	Status
AUTO I (ON)	The vacuum cleaner is in the stand-by state and the wireless activation function is available.
O (OFF)	The vacuum cleaner is in the stand-by state however the wireless activation function is not available.

Switch action

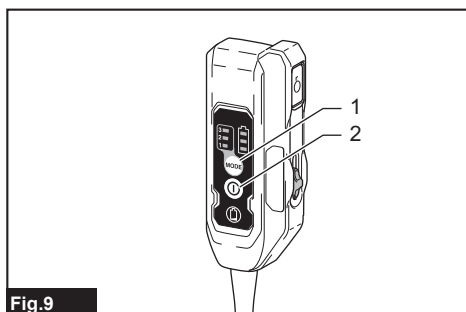


Fig.9

► 1. Suction power change button 2. ON/OFF button

To start the cleaner, simply push the ON/OFF button. To switch off, push the ON/OFF button again. You can change the suction power of the cleaner in three steps by pushing the suction power change button. Each push on this button repeats the 1 to 3 mode in a cycle.

Level	Indication	Mode
1		Normal speed mode
2		High speed mode
3		Max speed mode

NOTE: You can change the suction power before turning on the cleaner.

NOTE: The cleaner starts the operation with the same suction power as the last operation.

NOTE: If you remove the battery immediately after turning off the appliance, while the motor is rotating, the cleaner may not start the operation with the same suction power as the last operation.

Hose band

Hose band can be used for holding the hose or free nozzle.

To secure the hose to the vacuum cleaner body, pass the hose band through the slot on the body. You can attach the hose band on either side.

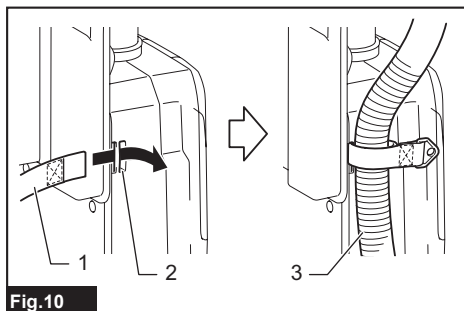


Fig.10

► 1. Hose band 2. Slot 3. Hose

The loop on the lower belt can be used for carrying nozzles as illustrated.

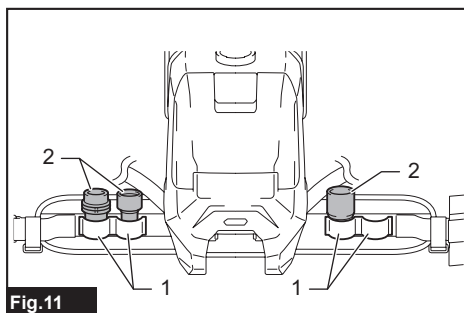


Fig.11

► 1. Loop 2. Nozzles

ASSEMBLY

CAUTION: Always be sure that the appliance is switched off and the battery cartridge is removed before carrying out any work on the appliance.

Assembling hose

Insert the hose cuff into the vacuum cleaner body and turn it clockwise.

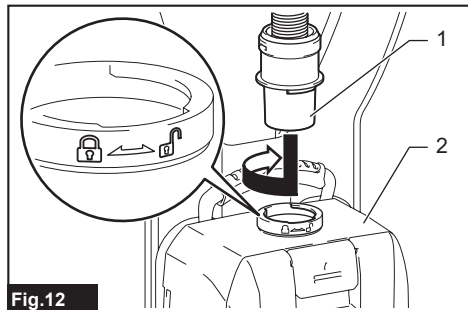


Fig.12

► 1. Hose cuff 2. Vacuum cleaner body

Connecting the tool

If the bent pipe assembly is attached to the hose, loosen the sleeve of bent pipe assembly and remove it.

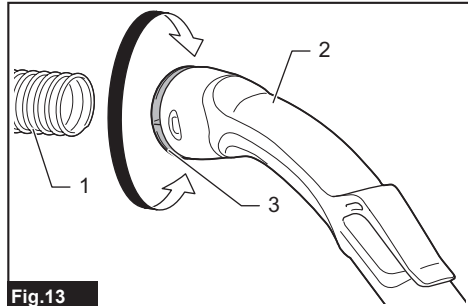


Fig.13

► 1. Hose 2. Bent pipe assembly 3. Sleeve

1. Attach the front cuff to the hose for dust extraction. When connecting the front cuff, make sure that it is securely screwed on the hose.
2. Connect the front cuff to the tool's extraction outlet.

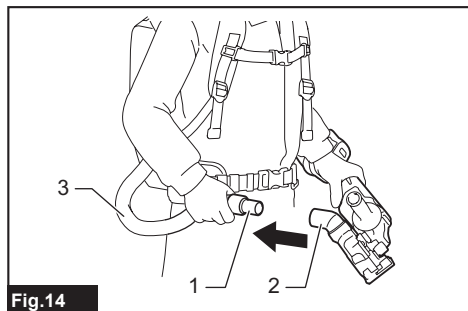


Fig.14

► 1. Front cuff 2. Extraction outlet 3. Hose

The front cuff can be detached by turning it counter-clockwise while holding the hose.

NOTE: Always use a suitable front cuff. When using the front cuff 24, attach it to the front cuff 22 that is connected to the hose.

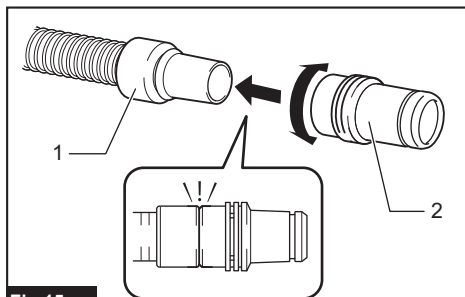


Fig.15

► 1. Front cuff 22 2. Front cuff 24

Using as a cleaner

If you want to use this product as a cleaner, follow the below procedures.

NOTICE: If the front cuff is attached to the hose, remove it beforehand.

NOTE: The bent pipe assembly, extension wand, and nozzles are supplied as optional accessories in some countries.

NOTE: There are two types of bent pipe assembly; the one for slide-type extension wand and the one for ring-type extension wand. If you prepare the bent pipe assembly, choose the one for your desired extension wand type.

1. Fasten the sleeve of bent pipe assembly onto the hose.

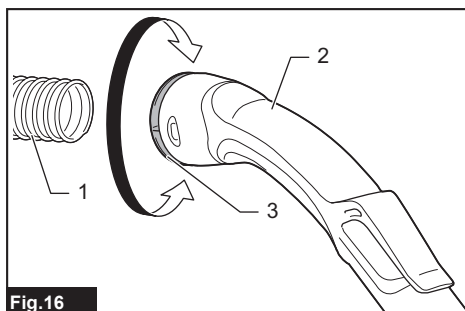


Fig.16

► 1. Hose 2. Bent pipe assembly 3. Sleeve

To remove the bent pipe assembly, loosen the sleeve of bent pipe assembly from the hose.

2. Twist and insert the nozzle to the extension wand.

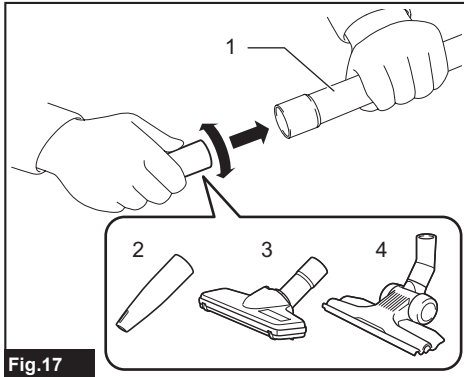


Fig.17

► 1. Extension wand 2. Free nozzle 3. T-shape nozzle 4. T-shape nozzle (slim)

NOTE: By twisting the nozzle while inserting, the nozzle can be attached to the extension wand securely.

3. Follow the procedures below, depending on the type of the extension wand :

NOTE: The slide-type extension wand and the ring-type extension wand are not compatible with each other. If you want to change the slide-type extension wand to the ring-type extension wand or vice versa, change the bent pipe assembly also.

For the slide-type extension wand

Shoulder the vacuum cleaner body then insert the extension wand into the bent pipe assembly until it clicks. To disconnect, extract the extension wand with pressing the button.

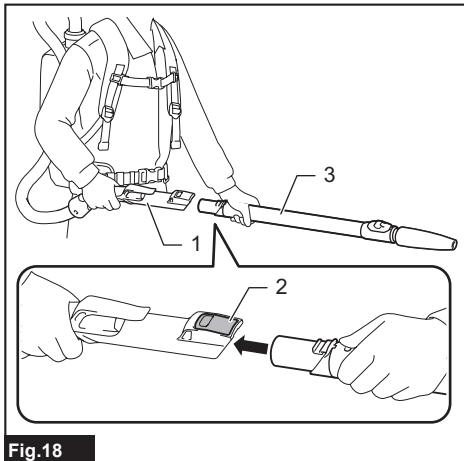


Fig.18

► 1. Bent pipe assembly 2. Button 3. Slide-type extension wand

The length of the wand can be adjusted.

With pressing the slide button, adjust the wand length. The length is locked when releasing the slide button.

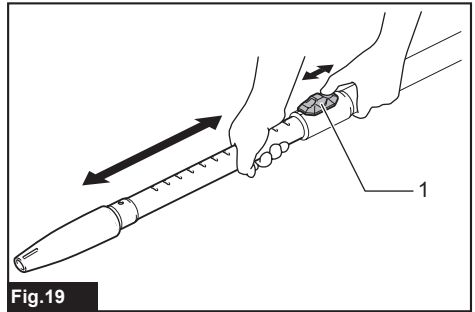


Fig.19

► 1. Slide button

For the ring-type extension wand

Shoulder the vacuum cleaner body then twist and insert the extension wand into the bent pipe assembly. To disconnect, twist and extract it.

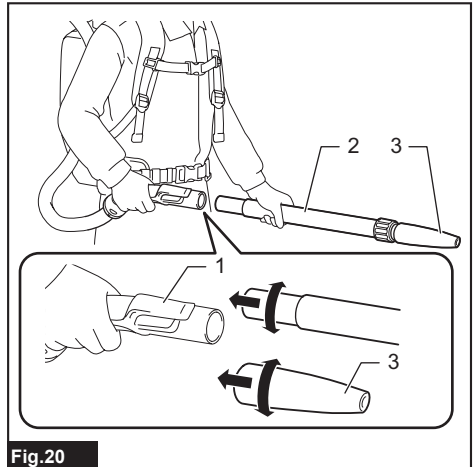


Fig.20

► 1. Bent pipe assembly 2. Ring-type extension wand 3. Free nozzle

NOTE: The free nozzle can be attached to the bent pipe assembly without pipe lock directly.

The length of the wand can be adjusted. Loosen the ring on the wand and adjust the wand length. Tighten the ring at your desired length.

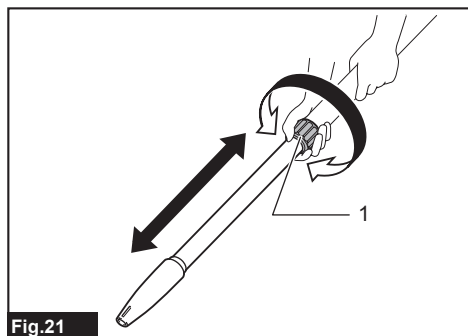


Fig.21

► 1. Ring

Hose hook

When you suspend the operation, the hook on the bent pipe assembly can be used for hanging the wand on the lower belt.

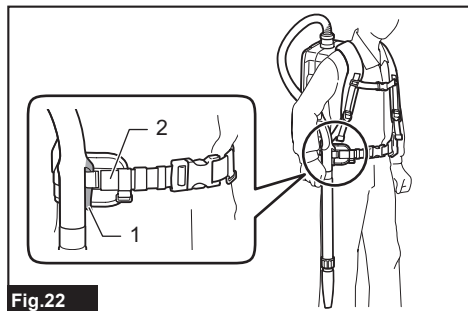


Fig.22

► 1. Hook 2. Lower belt

Installing filter bag / dust bag

Optional accessory

CAUTION: Do not use a damaged filter bag. Always use the vacuum cleaner with the filter bag properly installed. Otherwise the vacuumed dust or particles may be exhausted from the cleaner and they may cause respiratory disease to the operator.

NOTICE: When the filter bag is already full, replace with new one. When the dust bag is already full, empty it. Continuous use with the filter bag/dust bag full results in reduced suction power.

NOTICE: To prevent dust from getting into the motor:

- Make sure that the filter bag/dust bag is installed before use.
- Do not use a broken or ripped bag.

Otherwise the motor may be broken.

NOTICE: Do not fold the cardboard at its opening when installing the filter bag/dust bag.

NOTICE: The filter bag/dust bag for the cleaner is an important component for maintaining the appliance performance. Using non-genuine filter bag/dust bag may cause smoke or ignition.

NOTE: When the filter bag/dust bag is not installed in the cleaner, the front cover does not close completely.

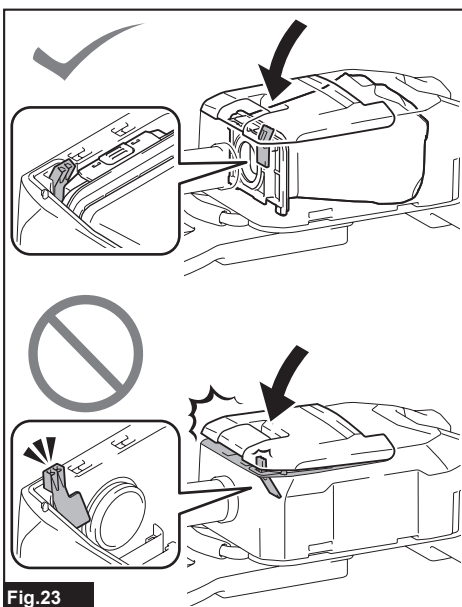


Fig.23

1. Unlock the lever and open the dust box cover.

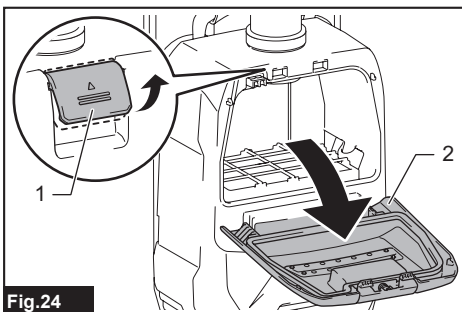


Fig.24

► 1. Lever 2. Dust box cover

2. Insert the filter bag into the slit on the upper side of the room as illustrated.

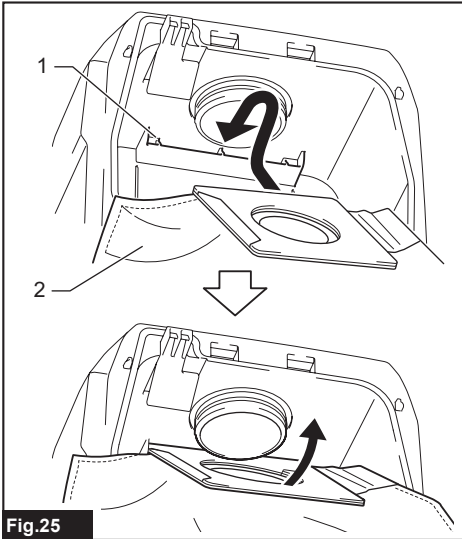


Fig.25

1. Slit 2. Filter bag

When using the dust bag, insert the brim of the dust bag into the slit.

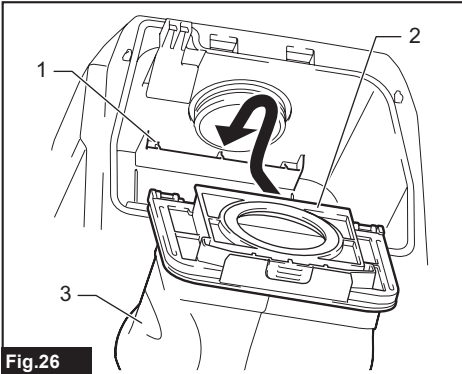


Fig.26

1. Slit 2. Brim 3. Dust bag

3. Align the hole of the filter bag with the hose cuff and push the cardboard portion to the end. Make sure that the rubber ring on the filter bag goes over the rim on the hose cuff.

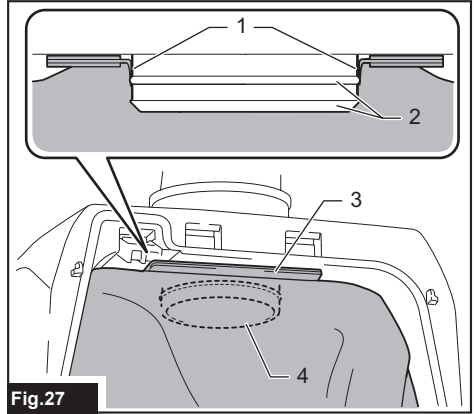


Fig.27

1. Rubber ring on the filter bag 2. Rim on the hose cuff 3. Cardboard portion of the filter bag 4. Hose cuff

4. Lock the dust box cover certainly.

CAUTION: Be careful not to pinch your fingers when hooking the latch, and when closing the dust box cover.

OPERATION

WARNING: Operators shall be adequately instructed on the use of the vacuum cleaner.

WARNING: This vacuum cleaner is not suitable for picking up hazardous dust.

CAUTION: This cleaner is for dry use only.

CAUTION: Always insert the battery cartridge all the way until it locks in place. If you can see the red indicator on the upper side of the button, it is not locked completely. Insert it fully until the red indicator cannot be seen. If not, it may accidentally fall out of the tool, causing injury to you or someone around you.

CAUTION: During operation, be conscious of the vacuum cleaner on your back. You may lose your balance if the vacuum cleaner body bumps against a wall or the hose is hooked by an obstacle.

1. Shoulder the vacuum cleaner body and fasten lower and upper belts. Adjust the tightness as necessary.

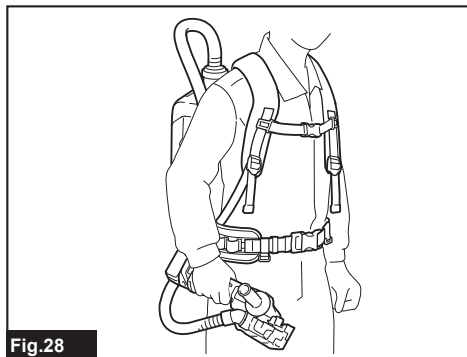


Fig.28

2. Press **⏻** button to start vacuuming. If you want to change the suction power, press **MODE** button until the desired suction power is selected. Press **⏻** button to stop.

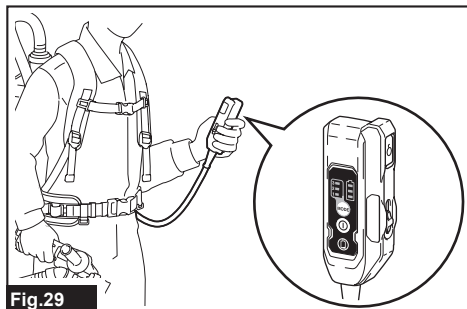


Fig.29

During the operation, hook the switch box on the lower belt or the D-ring.

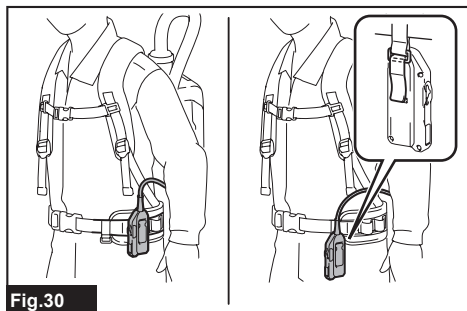


Fig.30

3. Replace the filter bag when it is full. Open the lid and take out the filter bag. Pull the strip on the side of the opening to shut the filter bag and dispose of the filter bag in whole.

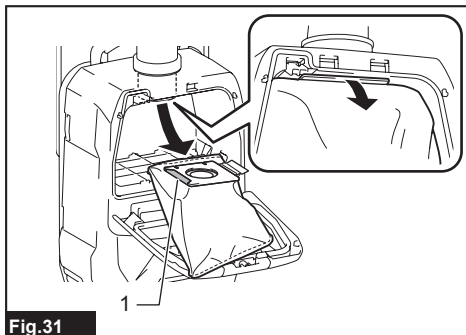


Fig.31

▶ 1. Strip

When using a dust bag, take out the dust bag and dispose of the dust by releasing the latch.

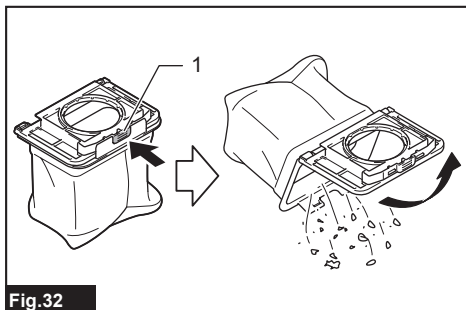


Fig.32

▶ 1. Latch

NOTICE: Periodically check the filter bag if it is full. Continuous use with the filter bag full results in reduced suction power.

NOTICE: Do not use an used filter bag. The filter bag is designed for single use. Using filter bag repeatedly may cause clogging of the filter and results in damage to the cleaner. If you want to use the bag repeatedly, use a dust bag.

WIRELESS ACTIVATION FUNCTION

What you can do with the wireless activation function

The wireless activation function enables clean and comfortable operation. By connecting a supported tool to the cleaner, you can run the cleaner automatically along with the switch operation of the tool.

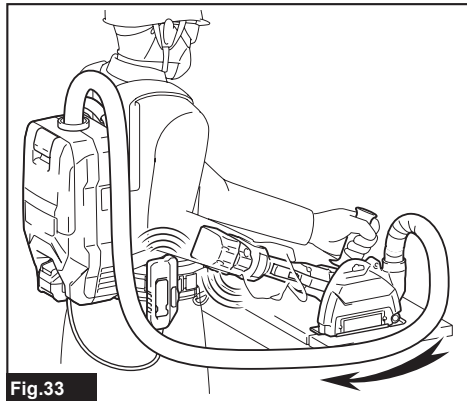


Fig.33

NOTICE: Be sure to refer to the instruction manual of the tool when using the cleaner with wireless activation function.

NOTICE: Do not disassemble or tamper with the wireless unit.

NOTICE: To prevent dust coming into the slot of the wireless unit, always close the lid securely during operation and storage.

NOTICE: Do not remove the wireless unit while the power is being supplied. Doing so may cause a malfunction of the wireless unit.

NOTICE: Do not press the wireless activation button too hard and/or press the button with an object with a sharp edge.


NOTE: Wireless activation needs Makita tools equipped with the wireless unit.


NOTE: Prior to the initial use of the wireless activation function with each tool, the tool registration is required. Once the registration is finished with the tool, the re-registration is not required unless it is cancelled.

NOTE: Before registration, be sure that the wireless unit is properly inserted.

NOTE: One wireless unit can register up to 10 links with other wireless units. If more than 10 other wireless units are registered to one wireless unit, the one registered earliest will be cancelled automatically.

NOTE: The position of the wireless activation button varies depending on the tool.

NOTE: The cleaner also starts by pressing  button when the stand-by switch is set to "I (ON)".

However the  button will not work when the wireless activation function is used.

Installing the wireless unit

CAUTION: Place the cleaner on a flat and stable surface when installing the wireless unit.

NOTICE: Clean the dust and dirt on the cleaner before installing the wireless unit. Dust or dirt may cause malfunction if it comes into the slot of the wireless unit.

NOTICE: To prevent the malfunction caused by static, touch a static discharging material, such as a metallic part, before picking up the wireless unit.

NOTICE: When installing the wireless unit, always be sure that the wireless unit is inserted in the correct direction and the lid is completely closed.

1. Open the lid on the cleaner as shown in the figure.

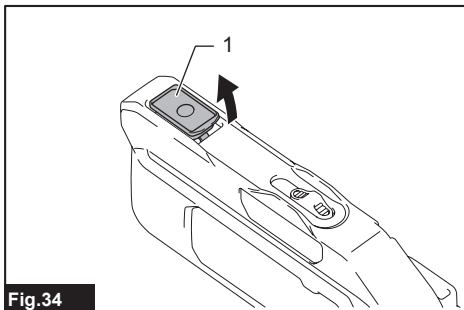


Fig.34

- 1. Lid

2. Insert the wireless unit to the slot and then close the lid.

When inserting the wireless unit, align the projections with the recessed portions on the slot.

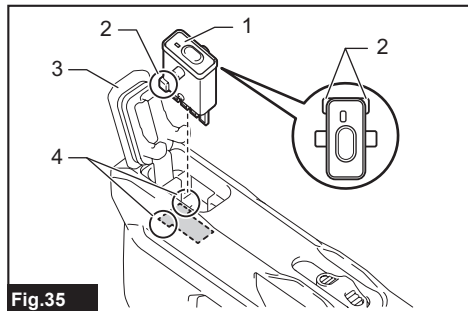


Fig.35

- 1. Wireless unit 2. Projection 3. Lid 4. Recessed portion

When removing the wireless unit, open the lid slowly. The hooks on the back of the lid will lift the wireless unit as you pull up the lid.

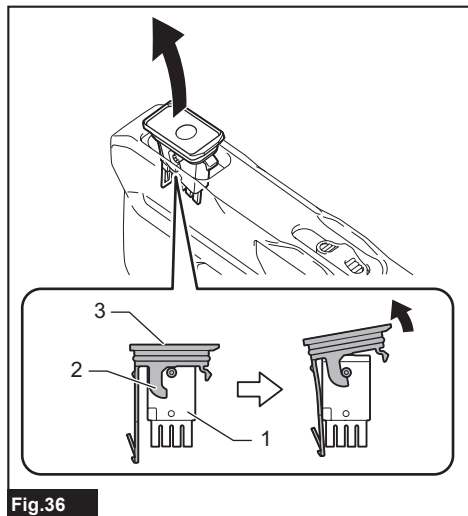


Fig.36

- 1. Wireless unit 2. Hook 3. Lid

After removing the wireless unit, keep it in the supplied case or a static-free container.

NOTICE: Always use the hooks on the back of the lid when removing the wireless unit. If the hooks do not catch the wireless unit, close the lid completely and open it slowly again.

Tool registration for the cleaner

NOTE: A Makita tool supporting the wireless activation function is required for the tool registration.

NOTE: Finish installing the wireless unit to the tool before starting the tool registration.

NOTE: During the tool registration, do not pull the switch trigger on the tool or push the cleaner's switch for vacuuming.

NOTE: Refer to the instruction manual of the tool, too.

If you wish to activate the cleaner along with the switch operation of the tool, finish the tool registration beforehand.

1. Install the wireless units to the cleaner and the tool, respectively.
2. Install the batteries to the cleaner and the tool.
3. Set the stand-by switch on the cleaner to "I (ON)".

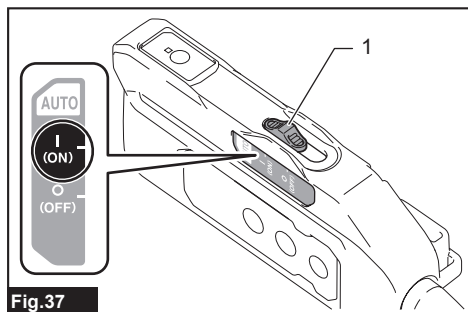


Fig.37

- 1. Stand-by switch

4. Press the wireless activation button on the cleaner for 3 seconds until the wireless activation lamp blinks in green. And then press the wireless activation button on the tool in the same way.

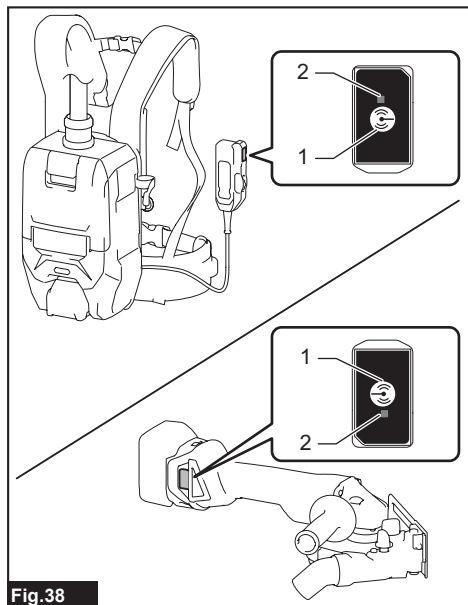


Fig.38

- 1. Wireless activation button 2. Wireless activation lamp

If the cleaner and the tool are linked successfully, the wireless activation lamps will light up in green for 2 seconds and start blinking in blue.

NOTE: The wireless activation lamps finish blinking in green after 20 seconds elapsed. Press the wireless activation button on the tool while the wireless activation lamp on the cleaner is blinking. If the wireless activation lamp does not blink in green, push the wireless activation button briefly and hold it down again.

NOTE: When performing two or more tool registration for the cleaner, finish the tool registration one by one.

Starting the wireless activation function

NOTE: Finish the tool registration for the cleaner for wireless activation.

NOTE: Always place the cleaner so that you can see the status of the wireless activation lamp.

NOTE: Refer to the instruction manual of the tool, too.

After registering a tool to the cleaner, the cleaner will automatically runs along with the switch operation of the tool.

1. Install the wireless units to the cleaner and the tool, respectively.
2. Install the batteries to the cleaner and the tool.
3. Connect the hose of the cleaner with the tool.

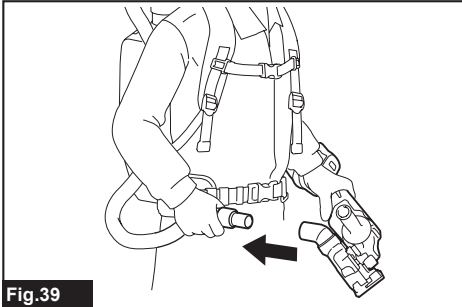


Fig.39

4. Set the stand-by switch on the cleaner to "I (ON)". The wireless activation lamp will blink in blue.

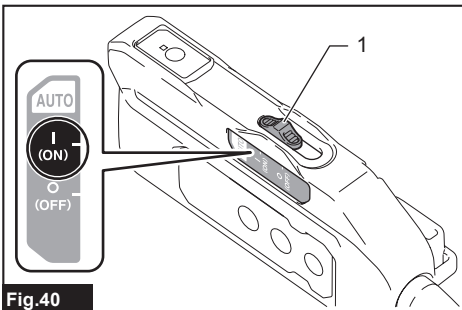


Fig.40

1. Stand-by switch

5. Push the wireless activation button on the tool briefly. The wireless activation lamp will blink in blue.

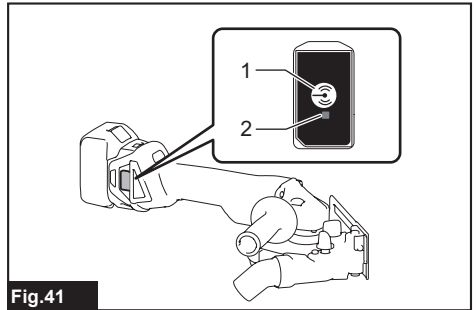


Fig.41

1. Wireless activation button 2. Wireless activation lamp

6. Turn on the tool. Check if the cleaner runs while the tool is operating.

CAUTION: Always check if the wireless activation function works before starting a work with the tool.

To stop the wireless activation, push the wireless activation button on the tool or set the stand-by switch on the cleaner to "O (OFF)".

NOTE: The wireless activation lamp on the tool will stop blinking in blue when there is no operation for 2 hours. In this case, press the wireless activation buttons on the tool again.

NOTE: The cleaner starts/stops with a delay. There is a time lag when the cleaner detects a switch operation of the tool.

NOTE: The transmission distance of the wireless unit may vary depending on the location and surrounding circumstances.

NOTE: When two or more tools are registered to one cleaner, the cleaner may start running even if you do not turn on the tool because other user is using the wireless activation function.

Cancelling tool registration for the cleaner

Perform the following procedure when cancelling the tool registration for the cleaner.

1. Install the wireless units to the cleaner and the tool, respectively.
2. Install the batteries to the cleaner and the tool.
3. Set the stand-by switch on the cleaner to "I (ON)".

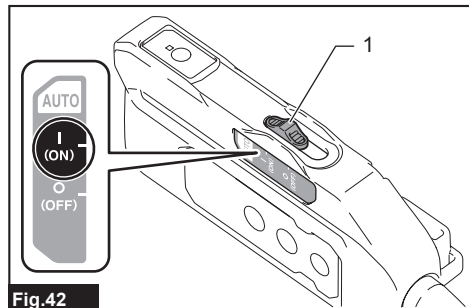


Fig.42

- 1. Stand-by switch

4. Press the wireless activation button on the cleaner for 6 seconds. The wireless activation lamp blinks in green and then become red. After that, press the wireless activation button on the tool in the same way.

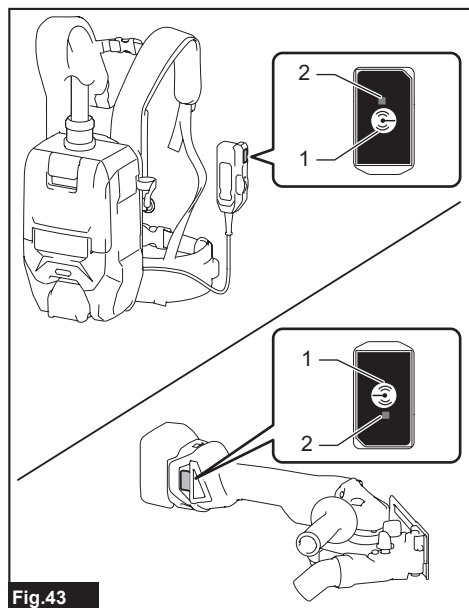


Fig.43

- 1. Wireless activation button 2. Wireless activation lamp

If the cancellation is performed successfully, the wireless activation lamps will light up in red for 2 seconds and start blinking in blue.

NOTE: The wireless activation lamps finish blinking in red after 20 seconds elapsed. Press the wireless activation button on the tool while the wireless activation lamp on the cleaner is blinking. If the wireless activation lamp does not blink in red, push the wireless activation button briefly and hold it down again.

Erasing all tool registrations

You can erase all tool registrations from the cleaner as follows.

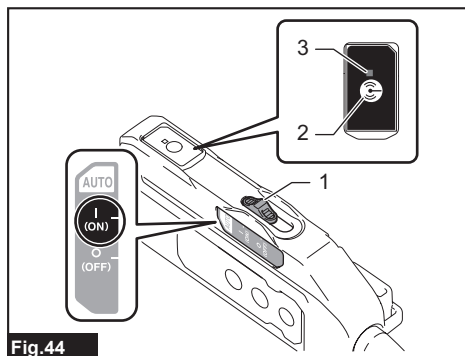


Fig.44

- 1. Stand-by switch 2. Wireless activation button 3. Wireless activation lamp

1. Install the wireless unit to the cleaner.
2. Install the batteries to the cleaner.
3. Set the stand-by switch to "I (ON)".
4. Hold down the wireless activation button for about 6 seconds until the wireless activation lamp blinks in red (about twice per one second).
5. When the wireless activation lamp starts blinking in red, release your finger from the wireless activation button. Thereafter, hold down the wireless activation button again for about 6 seconds.
6. When the wireless activation lamp starts blinking fast (about 5 times per one second) in red, release your finger from the wireless activation button. When the wireless activation lamp lights up in red and later lights off, all tool registrations are erased.

NOTE: If the wireless activation lamp does not blink in red, press the wireless activation button briefly and try again.

Description of the wireless activation lamp status

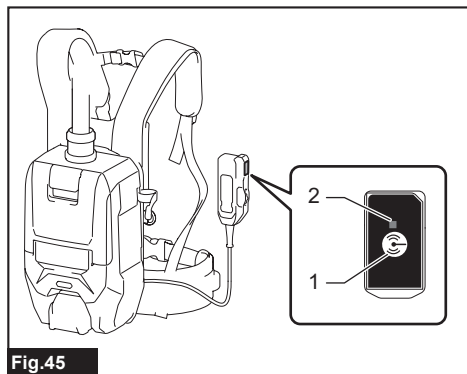


Fig.45

- **1.** Wireless activation button **2.** Wireless activation lamp

The wireless activation lamp shows the status of the wireless activation function. Refer to the below table for the meaning of the lamp status.

Status	Wireless activation lamp			Description	
	Color	■ On	▣ Blinking		Duration (approximate)
Standby	Blue		▣	Cleaner: continuing Tool: 2 hours	Waiting for the tool registration or the wireless activation function is available. The lamp on the cleaner blinks when the stand-by switch is set in "I (ON)". The lamp on the tool blinks when the wireless activation button is pushed. The lamp on the tool will automatically turn off when no operation is performed for 2 hours.
			■	When the tool is running.	The wireless activation of the cleaner is available and the tool is running.
Tool registration	Green		▣	20 seconds	Ready for the tool registration. Searching the tool to be registered.
			■	2 seconds	The tool registration has been finished. The wireless activation lamp will start blinking in blue.
Cancelling/ erasing tool registration	Red		▣ (slow: 2 times/sec.)	20 seconds	Ready for the cancellation of the tool registration. Searching the tool to be cancelled.
			▣ (fast: 5 times/sec.)	When the wireless activation button is pressed down.	Ready to erase all tool registrations.
			■	2 seconds	The tool registration has been cancelled/erased. The wireless activation lamp will start blinking in blue.
Others	Red		■	3 seconds	The power is supplied to the wireless unit and the wireless activation function is starting up.
	Off		-	-	The stand-by switch is not set to "I (ON)".

Troubleshooting for wireless activation function

Before asking for repairs, conduct your own inspection first. If you find a problem that is not explained in the manual, do not attempt to dismantle the tool. Instead, ask Makita Authorized Service Centers, always using Makita replacement parts for repairs.

State of abnormality	Probable cause (malfunction)	Remedy
The wireless activation lamp does not light/blink.	The wireless unit is not installed into the cleaner and/or the tool. The wireless unit is improperly installed into the cleaner and/or the tool.	Install the wireless unit correctly.
	The terminal of the wireless unit and/or the slot is dirty.	Gently wipe off dust and dirt on the terminal of the wireless unit and clean the slot of the cleaner and/or the tool.
	The wireless activation button on the cleaner and/or the tool have not been pushed.	Push the wireless activation button on the tool briefly. Make sure that the wireless activation lamp is blinking in blue.
	The stand-by switch on the cleaner is not set to "I (ON)".	Set the stand-by switch on the cleaner to "I (ON)".
	No power supply	Supply the power to the tool and the cleaner.
Cannot finish tool registration / cancelling tool registration successfully.	The wireless unit is not installed into the cleaner and/or the tool. The wireless unit is improperly installed into the cleaner and/or the tool.	Install the wireless unit correctly.
	The terminal of the wireless unit and/or the slot is dirty.	Gently wipe off dust and dirt on the terminal of the wireless unit and clean the slot of the cleaner and/or the tool.
	The stand-by switch on the cleaner is not set to "I (ON)".	Set the stand-by switch on the cleaner to "I (ON)".
	No power supply	Supply the power to the tool and the cleaner.
	Incorrect operation	Push the wireless activation button briefly and perform the tool registration/cancellation procedures again.
	The tool and cleaner are away from each other (out of the transmission range).	Get the tool and the cleaner closer to each other. The maximum transmission distance is approximately 10 m however it may vary according to the circumstances.
	Before finishing the tool registration/cancellation; - the switch of the tool is turned on or; - the power button on the cleaner is turned on.	Push the wireless activation button briefly and perform the tool registration/cancellation procedures again.
	The tool registration procedures for the tool or the cleaner has not been finished.	Perform the tool registration procedures for the tool and the cleaner at the same timing.
Radio disturbance by other appliances which generate high-intensity radio waves.	Keep the tool and the cleaner away from the appliances such as Wi-Fi devices and microwave ovens.	

State of abnormality	Probable cause (malfunction)	Remedy
The cleaner does not run along with the switch operation of the tool.	The wireless unit is not installed into the cleaner and/or the tool. The wireless unit is improperly installed into the cleaner and/or the tool.	Install the wireless unit correctly.
	The terminal of the wireless unit and/or the slot is dirty.	Gently wipe off dust and dirt on the terminal of the wireless unit and clean the slot of the cleaner and/or the tool.
	The wireless activation button on the tool have not been pushed.	Push the wireless activation button on the tool briefly. Make sure that the wireless activation lamp is blinking in blue.
	The stand-by switch on the cleaner is not set to "I (ON)".	Set the stand-by switch on the cleaner to "I (ON)".
	More than 10 tools are registered to the cleaner.	Perform the tool registration again. If more than 10 tools are registered to the cleaner, the tool registered earliest will be cancelled automatically.
	The cleaner erased all tool registrations.	Perform the tool registration again.
	No power supply	Supply the power to the tool and the cleaner.
	The tool and cleaner are away from each other (out of the transmission range).	Get the tool and the cleaner closer to each other. The maximum transmission distance is approximately 10 m however it may vary according to the circumstances.
	Radio disturbance by other appliances which generate high-intensity radio waves.	Keep the tool and the cleaner away from the appliances such as Wi-Fi devices and microwave ovens.
The cleaner runs while the tool is not operating.	Other users are using the wireless activation of the cleaner with their tools.	Perform one of the following way; - set the stand-by switch on the cleaner to "O" position or; - turn off the wireless activation button of the other tools or; - cancel the tool registration of the other tools.
Cannot erase all tool registrations in the cleaner.	Pressing the wireless button on the tool.	Press the wireless button on the cleaner for erasing all tool registrations.
	The stand-by switch on the cleaner is not set to "I (ON)".	Set the stand-by switch on the cleaner to "I (ON)".
	The wireless activation button is not held down correctly.	Hold down the wireless activation button for more than 6 seconds and then release it when the wireless activation lamp blinks in red. Hold down the wireless activation button for more than 6 seconds again until the wireless activation button rapidly blinks in red and then release the button.

MAINTENANCE

CAUTION: Always be sure that the appliance is switched off and the battery cartridge is removed before attempting to perform inspection or maintenance.

NOTICE: Never use gasoline, benzine, thinner, alcohol or the like. Discoloration, deformation or cracks may result.

To maintain product SAFETY and RELIABILITY, repairs, any other maintenance or adjustment should be performed by Makita Authorized or Factory Service Centers, always using Makita replacement parts.

Cleaning the HEPA filter

CAUTION: Do not use the vacuum cleaner without a HEPA filter or continue to use dirty or damaged HEPA filter. Vacuumed dust or particles may be exhausted from the cleaner and they may cause respiratory disease to the operator.

NOTICE: To keep optimum suction power and clean exhaust, clean the HEPA filter periodically. If enough suction power is not obtained even after the cleaning, replace the HEPA filter with new one.

NOTICE: To prevent the HEPA filter from being damaged, do not use following tools and similar items for cleaning :

- Air duster
- High pressure washer
- Tools made of hard materials such as a metallic brush

1. Open the lid and take out the filter bag. Release the hook on the HEPA filter and remove it from the vacuum cleaner body.

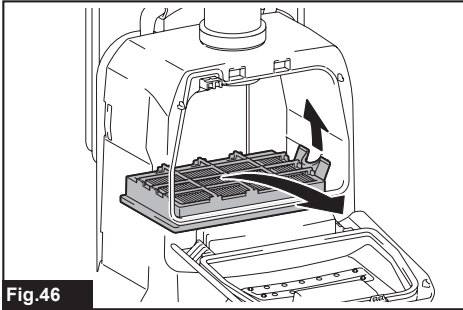


Fig.46

2. Beat the dust off from the HEPA filter. The HEPA filter can be washed with water. Rinse away the dust and particles on the HEPA filter every 1 or 2 month. After that, dry the HEPA filter completely in a shaded and well-ventilated place to prevent unpleasant odor or malfunctions.

3. To install the HEPA filter, insert the side without the flap into the holder then push the HEPA filter downward until the flap is secured by the rib.

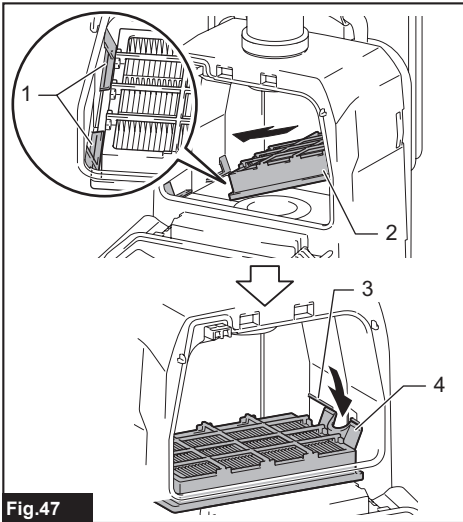


Fig.47

- 1. Holder 2. HEPA filter 3. Rib 4. Flap

Cleaning the dust bag

Regularly clean the dust bag with soap and water. Turn the dust bag inside out and remove the sticky dust. Wash lightly by hand and rinse well with water. Dry completely before installing to the vacuum cleaner.

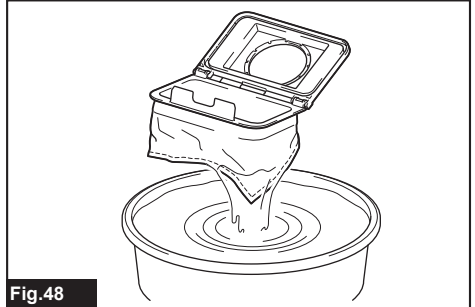


Fig.48

NOTICE: Wet dust bag lowers the vacuuming performance as well as the life of the motor.

OPTIONAL ACCESSORIES

CAUTION: These accessories or attachments are recommended for use with your Makita tool specified in this manual. The use of any other accessories or attachments might present a risk of injury to persons. Only use accessory or attachment for its stated purpose.

If you need any assistance for more details regarding these accessories, ask your local Makita Service Center.

- Hose (for dust extraction type)
- Hose (for vacuum cleaner type)
- Extension wand
- Free nozzle
- T-shape nozzle
- Seat nozzle
- Corner nozzle
- Shelf brush
- Round brush
- Bent pipe assembly
- Filter bag
- Dust bag
- Front cuff
- HEPA filter
- Harness cover
- Wireless unit
- Cyclone attachment
- Makita genuine battery and charger

NOTE: Some items in the list may be included in the tool package as standard accessories. They may differ from country to country.

Cyclone attachment

NOTE: When using the cyclone attachment with this appliance, the bent pipe is also required.

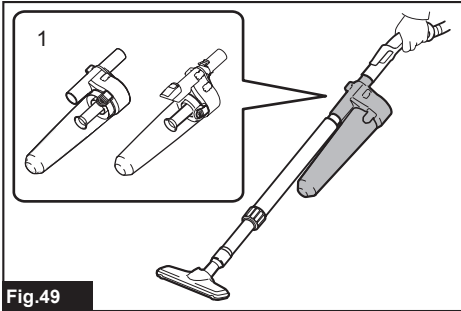


Fig.49

► 1. Cyclone attachment

About the cyclone attachment

Using the cleaner with the cyclone attachment installed reduces the amount of dust that enters the dust bag, which helps to prevent the suction force from weakening. In addition, cleaning after use is also simple.

⚠ CAUTION: Always be sure that the tool is switched off and the battery cartridge is removed before carrying out any work on the tool. If the battery cartridge is left inserted, the cleaner may start unexpectedly and result in injury.

⚠ CAUTION: Clean the mesh filter of the cyclone attachment and the dust bag of the cleaner unit when they become clogged. Continued use in the clogged condition may result in heating or smoke.

NOTICE: When the cyclone attachment is attached, do not use the cyclone attachment in the horizontal or upward facing condition. Doing so may cause the mesh filter to become clogged.

NOTICE: Always use the cleaner with the dust bag installed, even when using the cyclone attachment. Using the cleaner without the dust bag installed may result in a motor malfunction.

NOTE: Check that the cyclone attachment, cleaner, and straight pipe are locked properly before use.

NOTE: Empty the dust case of the cyclone attachment and the dust bag of the cleaner when dust has accumulated. Continued use will result in weakened suction force.

NOTE: You can use the cyclone attachment with or without lock function.

NOTE: To install or remove the cyclone attachment, refer to the section "Using as a cleaner".

Disposing of dust

When dust has accumulated up to the full line of the dust case, follow the procedure below and dispose of the dust.

1. Hold the dust case firmly, press and hold the two buttons, and remove the dust case.

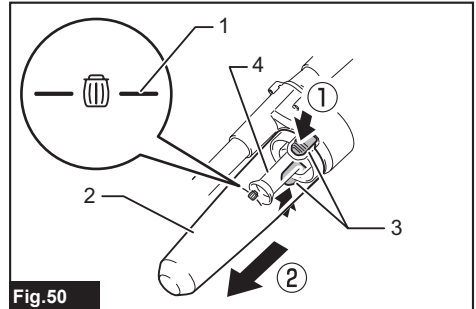


Fig.50

► 1. Full line 2. Dust case 3. Button (two locations)
4. Mesh filter

2. Dispose of the dust inside the dust case and remove any dust and powder adhered to the surface of the mesh filter.

3. Insert the dust case all the way until the two buttons lock with a click.

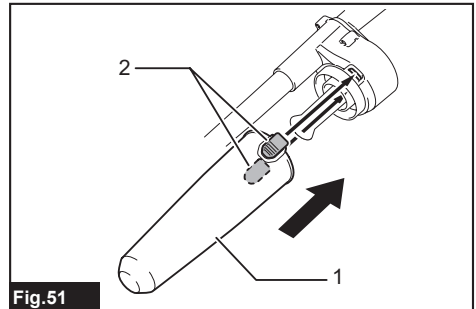


Fig.51

► 1. Dust case 2. Button (two locations)

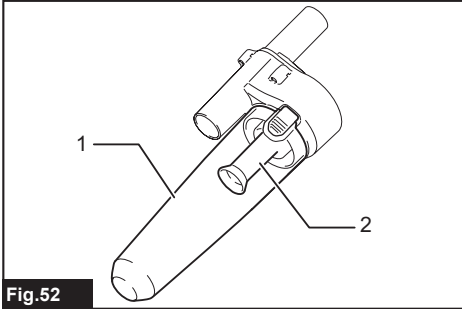
NOTE: Check that the cyclone attachment, cleaner, and straight pipe are locked properly before restarting operation.

NOTE: If the suction force does not recover even after disposing of the dust and cleaning the mesh filter, check whether dust has accumulated in the dust bag of the cleaner or clogging has occurred.

Cleaning

When the dust case becomes dirty or the mesh filter is clogged, remove and wash them with water. (Refer to "Disposing of dust" for the removal procedure.)

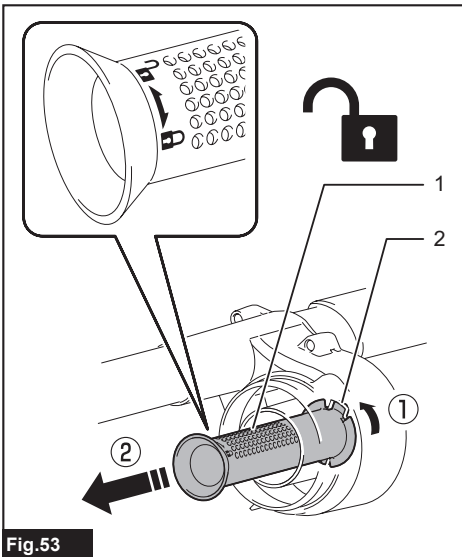
Dry the parts thoroughly before reinstallation and use.



► 1. Dust case 2. Mesh filter

When the mesh filter gets dirty badly, clean it in the following procedures.

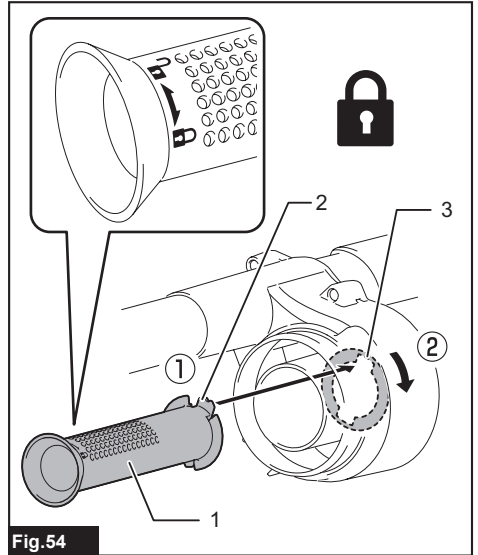
1. Turn the mesh filter counterclockwise and remove it while the hooks are unlocked.



► 1. Mesh filter 2. Hook

2. Remove the dust on the mesh filter and then wash it with water. After that, dry it thoroughly.

3. Insert the mesh filter into the base while the hooks are aligned with the port. Turn the mesh filter clockwise until the hooks are locked with a click. Make sure that the mesh filter is installed securely.



► 1. Mesh filter 2. Hook 3. Port

MAKITA LIMITED WARRANTY

Please refer to the annexed warranty sheet for the most current warranty terms applicable to this product. If annexed warranty sheet is not available, refer to the warranty details set forth at below website for your respective country.

United States of America: www.makitatools.com

Canada: www.makita.ca

Other countries: www.makita.com

ESPECIFICACIONES

Modelo:		GCV06
Capacidad	Bolsa del filtro	2,0 L (0,53 gal.)
	Bolsa recolectora de polvo	1,5 L (0,40 gal.)
Volumen de aire máximo		1,9 m ³ /min (67,1 cu.ft/min)
Vacío		18 kPa
Dimensiones (La x An x Al) (sin incluir el armés, con el modelo BL4040)		233 mm x 150 mm x 375 mm (9-1/8" x 5-7/8" x 14-3/4")
Tensión nominal		36 V - 40 V c.c. máx.
Peso neto		4,1 kg - 5,3 kg (9,0 lbs - 11,7 lbs)

- Debido a nuestro continuo programa de investigación y desarrollo, las especificaciones aquí incluidas están sujetas a cambio sin previo aviso.
- Las especificaciones pueden variar de país a país.
- El peso incluye el o los cartuchos de batería, pero no los accesorios. La combinación de menor y mayor peso del aparato y del o los cartuchos de batería se muestra en la tabla.

Cartucho de batería y cargador aplicables

Cartucho de batería	BL4020 / BL4025 / BL4040 / BL4050F / BL4080F
Cargador	DC40RA / DC40RB / DC40RC

- Algunos de los cartuchos de batería y cargadores enumerados arriba podrían no estar disponibles dependiendo de su área de residencia.

⚠ ADVERTENCIA: Use únicamente los cartuchos de batería y los cargadores indicados arriba. El uso de cualquier otro cartucho de batería y cargador podría ocasionar una lesión y/o un incendio.

⚠ ADVERTENCIA: No use ningún alimentador con cableado eléctrico, como un adaptador para batería o una unidad portátil de alimentación eléctrica, con este aparato. El cable de dicho alimentador podría impedir la operación y ocasionar una lesión personal.

ADVERTENCIAS DE SEGURIDAD

INSTRUCCIONES IMPORTANTES DE SEGURIDAD

Al usar cualquier aparato eléctrico, siempre deben seguirse las precauciones básicas, incluyendo las siguientes:

GUARDE ESTAS INSTRUCCIONES.

ADVERTENCIA

Para reducir el riesgo de incendio, descarga eléctrica o lesión:

1. No deje el aparato con la batería puesta. Retire la batería del aparato cuando no lo vaya a utilizar y antes de dar servicio de mantenimiento.
2. No lo utilice sobre superficies húmedas. No lo exponga a la lluvia. Almacénelo en interiores.
3. No permita que sea utilizado como un juguete. Supervise de cerca cuando lo utilice cerca de niños.
4. Utilícelo solamente como se describe en este manual. Sólo use aditamentos recomendados por el fabricante.

5. **No lo utilice con una batería dañada.** Si el aparato no está funcionando como debiera, se ha dejado caer, se ha dañado, se ha dejado a la intemperie o ha caído sobre agua, llévelo a un centro de servicio.
6. **No manipule el aparato con las manos mojadas.**
7. **No introduzca ningún objeto en las aberturas.** No lo utilice con ninguna abertura bloqueada; manténgalo libre de polvo, pelusa, cabello y cualquier objeto que pueda reducir el flujo de aire.
8. **Mantenga el cabello, la ropa holgada, los dedos y todas las partes del cuerpo lejos de las aberturas y piezas móviles.**
9. **Apague todos los controles antes de retirar el cartucho de batería.**
10. **Tenga especial cuidado cuando limpie en escaleras.**
11. **No lo utilice para recoger líquidos inflamables o combustibles, tal como gasolina, ni en áreas donde puedan estar presentes.**
12. **No recoja nada que se esté quemando o desprenda humo, tal como cigarrillos, fósforos o cenizas calientes.**
13. **No lo utilice sin la bolsa recolectora de polvo colocada en su lugar.**
14. **No cargue la batería en exteriores.**
15. **Evite una puesta en marcha accidental.** Asegúrese de que el interruptor esté en la posición apagada antes de conectar el paquete de baterías, levantar el aparato o cargarlo. Cargar el aparato con su dedo en el interruptor o pasar energía al aparato con el interruptor encendido puede propiciar accidentes.
16. **Desconecte el paquete de baterías del aparato antes de hacer cualquier ajuste, cambiar accesorios o almacenar el aparato.** Estas medidas de seguridad preventivas reducen el riesgo de poner en marcha el aparato accidentalmente.
17. **Recargue sólo con el cargador especificado por el fabricante.** Un cargador que es adecuado para un solo tipo de paquete de baterías puede generar riesgo de incendio al ser utilizado con otro paquete de baterías.
18. **Use los aparatos únicamente con los paquetes de baterías designados específicamente para ellos.** El uso de otros paquetes de baterías puede generar riesgo de lesiones e incendio.
19. **Cuando no se esté usando el paquete de baterías, guárdelo lejos de otros objetos metálicos tales como sujetapapeles (clips), monedas, llaves, clavos, tornillos u otros objetos metálicos pequeños que puedan crear una conexión entre una terminal y otra.** Ocasionar un cortocircuito en las terminales de la batería puede provocar quemaduras o incendios.
20. **En condiciones de mal uso, podría escapar líquido de la batería; evite tocarlo.** Si lo toca accidentalmente, enjuague con agua. Si el líquido entra en contacto con los ojos, solicite adicionalmente atención médica. El líquido expulsado de la batería puede causar irritación o quemaduras.
21. **No utilice un paquete de baterías o aparato que esté dañado o haya sido modificado.** Las baterías dañadas o modificadas podrían comportarse de manera impredecible causando un incendio, explosión o riesgo de lesión.
22. **No exponga un paquete de baterías o aparato al fuego o a una temperatura excesiva.** La exposición al fuego a una temperatura superior a 130 °C podría causar una explosión.
23. **Siga todas las instrucciones relativas a la carga y no cargue el paquete de baterías o el aparato fuera del rango de temperatura especificado en las instrucciones.** Cargar de manera inapropiada o a temperaturas fuera del rango especificado podría dañar la batería e incrementar el riesgo de incendio.
24. **Pida que el servicio lo realice un técnico en reparaciones calificado y que utilice únicamente piezas de repuesto idénticas a las originales.** Esto garantizará que se mantenga la seguridad del producto.

25. **No modifique ni intente reparar el aparato ni el paquete de baterías salvo como se indique en las instrucciones para el uso y cuidado.**
26. **No use ningún alimentador con cableado eléctrico como un adaptador para batería o una unidad portátil de alimentación eléctrica con esta máquina.** El cable de dicho alimentador podría impedir la operación y ocasionar una lesión personal.

GUARDE ESTAS INSTRUCCIONES.

Este aparato está diseñado para uso comercial.

REGLAS DE SEGURIDAD ADICIONALES

1. Lea cuidadosamente este manual de instrucciones y el manual de instrucciones del cargador antes de usar el aparato.
 2. **No aspire los siguientes elementos:**
 - Líquidos inflamables (queroseno, gasolina, disolventes como bencina, diluyentes, etc.)
 - Sustancias calientes que están ardiendo o echando humo (cigarrillos, cerillas, palitos de incienso, velas, cenizas calientes), chispas y polvo metálico generados por el corte o el lijado de metales, etc.
 - Materiales inflamables (tóner, pinturas, aerosoles, etc.)
 - Espumas, como limpiadores de alfombras, etc. (pueden causar explosiones o incendios)
 - Sustancias explosivas o pirofóricas (nitroglicerina, aluminio, magnesio, titanio, zinc, fósforo rojo, fósforo amarillo, celuloide, etc., y su polvo, gases o vapores)
 - Objetos afilados (cristal, cubiertos, astillas de madera, metales, piedras, clavos, cuchillas, tachuelas, etc.)
 - Polvo fino conductor y solidificante (polvo metálico o de carbono)
 - Deshumidificador
 - Grandes cantidades de polvo (harina, polvo de extintor de incendios, etc.)
 - Sustancias que causan síntomas tóxicos
 - Productos químicos agresivos (ácidos, lixiviados, etc.)
 - Basura líquida o húmeda, incluyendo vómitos y heces
 - Asbesto
 - Pesticidas
- Tal acción podría ocasionar un incendio, lesiones y/o daños materiales.
- Para reducir la exposición a estas sustancias químicas, utilice un equipo de protección respiratoria aprobado, tal como las máscaras contra polvo que están especialmente diseñadas para filtrar partículas microscópicas. No apunte la salida de aire a la cara y al cuerpo. **NOTA:** Lea el reglamento OSHA en lo referente a polvo de sílice a fin de entender los requisitos necesarios para reducir la exposición al polvo de sílice en el puesto de trabajo. Contiene normas específicas sobre el taladrado, la demolición, el corte y el lijado de materiales que contienen sílice. Todos los requisitos de la OSHA relacionados con la reducción de polvo de sílice se pueden encontrar en el sitio web de la OSHA: www.osha.gov.
3. Detenga la operación de inmediato si nota algo anormal.
 4. Si deja caer o golpea la aspiradora, verifique cuidadosamente si hay grietas o daños antes de la operación.
 5. No la acerque a estufas ni a otras fuentes de calor.
 6. No obstruya el orificio de flujo de entrada ni los orificios de ventilación.

7. **Este aparato no se destina para utilizarse por personas (incluyendo niños) cuyas capacidades físicas, sensoriales o mentales sean diferentes o estén reducidas o carezcan de experiencia o de conocimiento, a menos que dichas personas reciban una supervisión o capacitación para el funcionamiento del aparato por una persona responsable de su seguridad.**
8. **Los niños deben supervisarse para asegurar que ellos no empleen los aparatos como juguete.**

Símbolos

A continuación se muestran los símbolos utilizados para la herramienta.

V	volts o voltios
— — —	corriente directa o continua

Instrucciones importantes de seguridad para el cartucho de batería

1. **Antes de utilizar el cartucho de batería, lea todas las instrucciones e indicaciones de precaución en el (1) el cargador de batería, (2) la batería, y (3) el producto con el que se utiliza la batería.**
2. **No desarme ni modifique el cartucho de batería.** Podría ocurrir un incendio, calor excesivo o una explosión.
3. **Si el tiempo de operación se ha acortado en exceso, deje de operar de inmediato.** Podría correrse el riesgo de sobrecalentamiento, posibles quemaduras e incluso explosión.
4. **En caso de que ingresen electrolitos en sus ojos, enjuáguelos bien con agua limpia y consulte de inmediato a un médico.** Esto podría ocasionar pérdida de visión.
5. **Evite cortocircuitar el cartucho de batería:**
 - (1) **No toque las terminales con ningún material conductor.**
 - (2) **Evite guardar el cartucho de batería en un cajón junto con otros objetos metálicos, tales como clavos, monedas, etc.**
 - (3) **No exponga el cartucho de batería al agua o la lluvia.**

Un cortocircuito en la batería puede causar un flujo grande de corriente, sobrecalentamiento, posibles quemaduras e incluso una descompostura.
6. **No guarde ni utilice la herramienta y el cartucho de batería en lugares donde la temperatura pueda alcanzar o exceder los 50 °C (122 °F).**
7. **Nunca incinere el cartucho de batería incluso en el caso de que esté dañado seriamente o ya no sirva en absoluto.** El cartucho de batería puede explotar si se tira al fuego.
8. **No clave, corte, aplaste, lance o deje caer el cartucho de batería, ni golpee un objeto sólido contra el cartucho de batería.** Dicha acción podría resultar en un incendio, calor excesivo o en una explosión.
9. **No use una batería dañada.**
10. **Las baterías de ión de litio están sujetas a los requisitos reglamentarios en materia de bienes peligrosos.** Para el transporte comercial, por ej., mediante terceros o agentes de transporte, se deben tomar en cuenta los requisitos especiales relativos al empaque y el etiquetado. Para efectuar los preparativos del artículo que se va a enviar, se requiere consultar a un experto en materiales peligrosos. Si es posible, consulte además otras regulaciones nacionales más detalladas. Pegue o cubra con cinta adhesiva los contactos abiertos y empaque la batería de manera que ésta no pueda moverse dentro del paquete.
11. **Para deshacerse del cartucho de batería, sáquelo de la herramienta y deséchelo en un lugar seguro.** Siga las regulaciones locales relacionadas al desecho de las baterías.

12. **Utilice las baterías únicamente con los productos especificados por Makita.** Instalar las baterías en productos que no cumplen con los requisitos podría ocasionar un incendio, un calentamiento excesivo, una explosión o una fuga de electrolito.
13. **Siga las regulaciones locales relacionadas al desecho de las baterías.**
14. **El cartucho de batería podría absorber calor durante y después de su uso, lo que ocasionaría quemaduras o quemaduras a baja temperatura. Tenga cuidado con la manipulación de los cartuchos de batería que estén calientes.**
15. **No toque el terminal de la herramienta inmediatamente después de su uso, ya que el mismo podría estar lo suficientemente caliente como para provocar quemaduras.**
16. **No permita que las rebabas, el polvo o la tierra queden atrapados en los terminales, orificios y ranuras del cartucho de batería.** Esto podría ocasionar un desempeño deficiente o descompostura de la herramienta o del cartucho de batería.
17. **No utilice el cartucho de batería cerca de cables eléctricos de alto voltaje, a menos que la herramienta sea compatible con el uso cercano a estos cables eléctricos de alto voltaje.** Esto podría ocasionar una avería o descompostura de la herramienta o del cartucho de batería.
18. **Mantenga la batería alejada de los niños.**

GUARDE ESTAS INSTRUCCIONES.

⚠PRECAUCIÓN: Utilice únicamente baterías originales de Makita. El uso de baterías no originales de Makita, o de baterías alteradas, puede ocasionar que las baterías exploten causando un incendio, lesiones personales y daños. Asimismo, esto invalidará la garantía de Makita para la herramienta y el cargador Makita.

Consejos para alargar al máximo la vida útil de la batería

1. **Cargue el cartucho de batería antes de que se descargue completamente. Pare siempre la operación y cargue el cartucho de batería cuando note menos potencia en la herramienta.**
2. **No cargue nunca un cartucho de batería que esté completamente cargado. La sobrecarga acortará la vida de servicio de la batería.**
3. **Cargue el cartucho de batería a una temperatura ambiente de 10 °C - 40 °C (50 °F - 104 °F). Si un cartucho de batería está caliente, déjelo enfriar antes de cargarlo.**
4. **Cuando no utilice el cartucho de batería, sáquelo de la herramienta o del cargador.**
5. **Cargue el cartucho de batería si no va a utilizarlo durante un período prolongado (más de seis meses).**

Instrucciones importantes de seguridad para la unidad inalámbrica

1. **No desarme ni modifique la unidad inalámbrica.**
2. **Mantenga la unidad inalámbrica alejada de los niños pequeños. En caso de ingerirla accidentalmente, solicite atención médica de inmediato.**
3. **Utilice la unidad inalámbrica solamente con herramientas de Makita.**
4. **No exponga la unidad inalámbrica a la lluvia ni a condiciones de humedad.**
5. **No utilice la unidad inalámbrica en lugares donde la temperatura exceda los 50 °C (122 °F).**
6. **No utilice la unidad inalámbrica en lugares donde haya instrumentos médicos tales como marcapasos cerca.**
7. **No utilice la unidad inalámbrica en lugares donde haya dispositivos automáticos cerca. Si se utiliza, los dispositivos automáticos podrían causar alguna avería o error.**
8. **No opere la unidad inalámbrica en lugares con alta temperatura o donde pueda generarse electricidad estática o ruido eléctrico.**
9. **La unidad inalámbrica puede producir campos electromagnéticos (CEM), sin embargo éstos no son dañinos para el usuario.**
10. **La unidad inalámbrica es un instrumento de precisión. Tenga cuidado de no dejar caer ni golpear la unidad inalámbrica.**

11. Evite tocar la terminal de la unidad inalámbrica con las manos descubiertas o con materiales metálicos.
12. Retire siempre la batería del producto al instalar en él la unidad inalámbrica.
13. Cuando abra la tapa de la ranura, evite el lugar donde el polvo y el agua puedan introducirse en la ranura. Mantenga siempre la entrada de la ranura limpia.
14. Inserte siempre la unidad inalámbrica en la dirección correcta.
15. No oprima el botón de activación inalámbrica en la unidad inalámbrica demasiado fuerte, ni lo haga con ningún objeto que tenga un borde filoso.
16. Cierre siempre la tapa de la ranura durante la operación.
17. No retire la unidad inalámbrica de la ranura mientras se esté suministrando energía a la herramienta. El hacerlo podría causar una avería de la unidad inalámbrica.
18. No retire la etiqueta en la unidad inalámbrica.
19. No coloque ninguna etiqueta en la unidad inalámbrica.
20. No deje la unidad inalámbrica en un lugar donde pueda generarse electricidad estática o ruido eléctrico.
21. No deje la unidad inalámbrica en un lugar sujeto a temperaturas altas, tal como un vehículo estacionado bajo el sol.
22. No deje la unidad inalámbrica en un lugar donde haya polvo o suciedad ni en un lugar donde pueda generarse gas corrosivo.
23. Los cambios repentinos de temperatura podrían humedecer la unidad inalámbrica. No utilice la unidad inalámbrica hasta que la condensación se haya secado por completo.
24. Cuando vaya a limpiar la unidad inalámbrica, hágalo cuidadosamente usando un paño suave seco. No utilice bencina, disolvente, grasa conductora o sustancias similares.
25. Cuando vaya a almacenar la unidad inalámbrica, guárdela en el estuche suministrado o en un contenedor libre de electricidad estática.
26. No inserte ningún otro dispositivo que no sea la unidad inalámbrica de Makita en la ranura de la herramienta.
27. No utilice la herramienta si la tapa de la ranura está dañada. La entrada de agua, polvo o suciedad en la ranura podría causar una avería.
28. No jale ni tuerza la tapa de la ranura más de lo necesario. Vuelva a colocar la tapa si ésta se sale de la herramienta.
29. Reemplace la tapa de la ranura si llega a perderse o dañarse.

GUARDE ESTAS INSTRUCCIONES.

DESCRIPCIÓN DEL FUNCIONAMIENTO

⚠PRECAUCIÓN: Asegúrese siempre de que el aparato esté apagado y que el cartucho de la batería haya sido extraído antes de realizar cualquier ajuste o revisión del funcionamiento del aparato.

Instalación o extracción del cartucho de batería

⚠PRECAUCIÓN: Apague siempre la herramienta antes de colocar o quitar el cartucho de batería.

⚠PRECAUCIÓN: Sujete la herramienta y el cartucho de la batería con firmeza al colocar o quitar el cartucho de batería. Si no se sujeta con firmeza la herramienta y el cartucho de batería, puede ocasionar que se resbalen de sus manos causando daños a la herramienta y al cartucho de batería, así como lesiones a la persona.

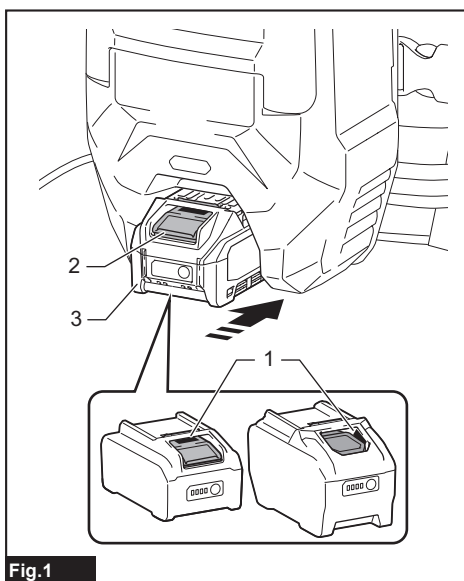


Fig.1

► 1. Indicador rojo 2. Botón 3. Cartucho de batería

Para quitar el cartucho de batería, deslícelo de la herramienta mientras desliza el botón sobre la parte delantera del cartucho.

Para instalar el cartucho de batería, alinee la lengüeta sobre el cartucho de batería con la ranura en la carcasa y deslícela hasta su lugar. Insértelo por completo hasta que se fije en su lugar con un pequeño clic. Si puede ver el indicador rojo como se muestra en la ilustración, este no ha quedado asegurado por completo.

⚠️ PRECAUCIÓN: Introduzca siempre completamente el cartucho de batería hasta que el indicador rojo no pueda verse. Si no, podría accidentalmente salirse de la herramienta y caer al suelo causando una lesión a usted o alguien a su alrededor.

⚠️ PRECAUCIÓN: No instale el cartucho de batería a la fuerza. Si el cartucho no se desliza al interior fácilmente, se debe a que no está siendo insertado correctamente.

Indicación de la capacidad restante de la batería

Oprima el botón de verificación en el cartucho de la batería para que indique la capacidad restante de la batería. Las luces indicadoras se iluminarán por algunos segundos.

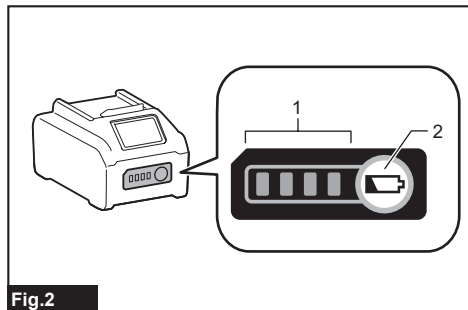


Fig.2

► 1. Luces indicadoras 2. Botón de verificación

Luces indicadoras			Capacidad restante
Iluminadas	Apagadas	Parpadeando	
■ ■ ■ ■			75% a 100%
■ ■ ■ □			50% a 75%
■ ■ □ □			25% a 50%
■ □ □ □			0% a 25%
▣ □ □ □			Cargar la batería.
■ ■ □ □	□ □	■ ■	La batería pudo haber funcionado mal.

NOTA: Dependiendo de las condiciones de uso y la temperatura ambiente, la indicación podrá diferir ligeramente de la capacidad real.

NOTA: La primera luz indicadora (extrema izquierda) parpadeará cuando el sistema de protección de batería esté en funcionamiento.

Indicación de capacidad restante de la batería

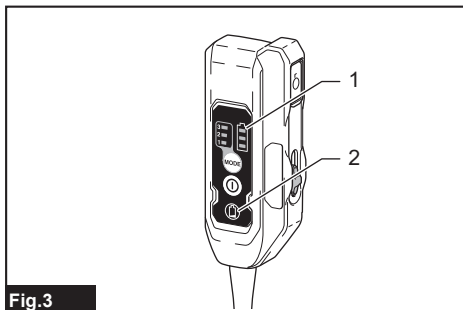


Fig.3

► 1. Indicador de batería 2. Botón

Oprima el botón para indicar las capacidades restantes de la batería.

Estado del indicador de batería			Capacidad restante de la batería
Encendido	Apagado	Parpadeando	
■	□	▣	50% a 100%
	■ ■ ■ ■		20% a 50%
	■ ■ □ □		0% a 20%
	■ □ □ □		Cargar la batería

Sistema de protección del aparato/batería

El aparato está equipado con un sistema de protección del aparato/batería. Este sistema corta automáticamente la alimentación al motor para prolongar la vida del aparato y la batería. En esta situación, el indicador de batería se ilumina como en la siguiente tabla.

Estado del indicador de batería			Estado
Encendida	Apagada	Parpadeando	
■	□	▣	Protección contra sobrecarga (batería) / Protección contra sobrecalentamiento (batería) / Protección contra descarga excesiva
	■ ■ ■ ■		Protección contra sobrecalentamiento (aparato)

El aparato se detendrá automáticamente durante la operación si el aparato o la batería se someten a una de las siguientes condiciones:

Protección contra sobrecarga

Cuando el aparato / batería se están utilizando de manera que causa que consuma una cantidad de corriente inusualmente alta, el aparato se detiene automáticamente. En esta situación, apague el aparato y detenga la aplicación que haya causado que el aparato se sobrecargara. Luego, encienda el aparato para volver a arrancarlo.

Protección contra sobrecalentamiento

Cuando el aparato / batería se sobrecaliente, el aparato se detiene automáticamente. En este caso, deje que el aparato / la batería se enfríe antes de volver a encender el aparato.

Protección contra sobredescarga

Cuando la capacidad de la batería es baja, el aparato se detiene automáticamente. Si el producto no funciona incluso cuando los interruptores están siendo operados, retire las baterías del aparato y cárguelas.

Protección contra otras causas

El sistema de protección también está diseñado para otras causas que podrían dañar el aparato, y permite que el aparato se detenga automáticamente. Siga todos los pasos a continuación para eliminar las causas cuando el aparato se haya detenido temporalmente o se haya detenido durante el funcionamiento.

1. Apague el aparato, y luego enciéndalo nuevamente para reiniciarlo.
2. Cargue la(s) batería(s) o reemplácela(s) con batería(s) recargada(s).
3. Deje que el aparato y la(s) batería(s) se enfríen.

Si no hay ninguna mejora al restaurar el sistema de protección, comuníquese con su centro local de servicio Makita.

Ajuste de las correas

Lo apretado de las correas para hombro y las correas superior e inferior puede ser ajustado. Introduzca sus brazos a través de las correas para hombro primero y luego fije las correas inferior y superior. Para apretar, jale el extremo de la correa tal como se ilustra. Para aflojar, jale el extremo del sujetador.

Correa inferior

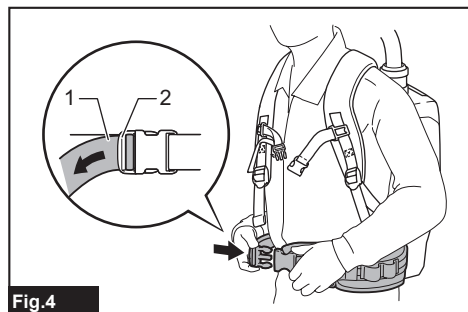


Fig.4

► 1. Correa 2. Sujetador

Correas para hombro

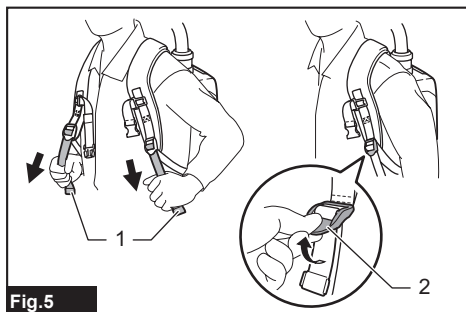


Fig.5

► 1. Correa 2. Sujetador

Correa superior

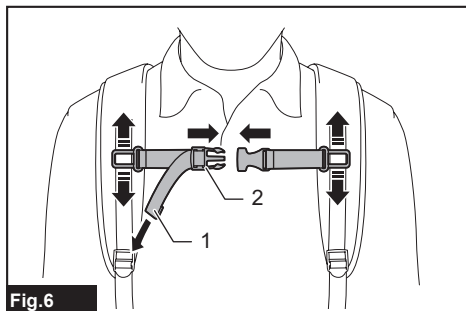


Fig.6

► 1. Correa 2. Sujetador

Gancho de sujeción

⚠PRECAUCIÓN: Utilice las partes para colgado/montaje para sus propósitos pretendidos solamente. El uso para un propósito no pretendido podría ocasionar un accidente o una lesión personal.

Siempre agarre el gancho de sujeción cuando manipule el cuerpo de la aspiradora.

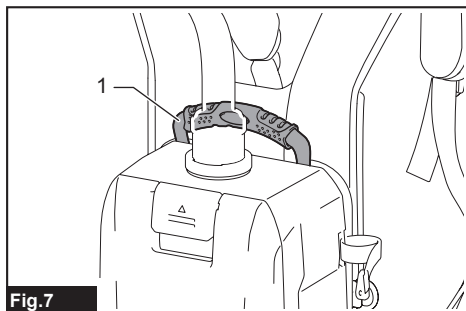


Fig.7

► 1. Gancho de sujeción

Interruptor de modo en espera

El interruptor de modo en espera es el que sirve para encender/apagar la función de activación inalámbrica. La aspiradora está en el estado de modo de espera con independencia de la posición del interruptor, y funciona cuando se oprime el botón 1.

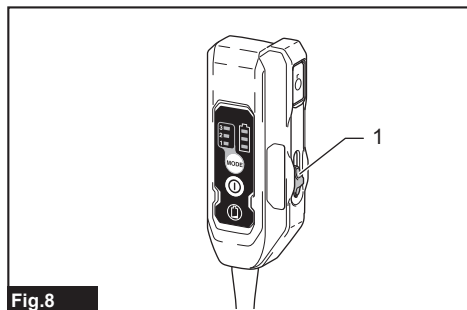


Fig.8

► 1. Interruptor de modo en espera

Posición del interruptor		Estado
AUTO	I (ON)	La aspiradora está en el estado de modo de espera y la función de activación inalámbrica está disponible.
	O (OFF)	La aspiradora está en el estado de modo de espera, pero la función de activación inalámbrica no está disponible.

Accionamiento del interruptor

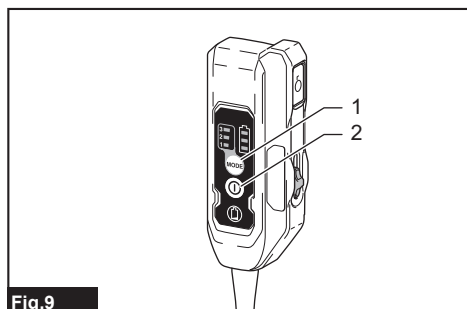


Fig.9

► 1. Botón de cambio de potencia de succión 2. Botón de encendido/apagado

Para poner en marcha la aspiradora, simplemente oprima el botón de encendido/apagado. Para apagarla, oprima el botón de encendido/apagado nuevamente.

Usted puede cambiar la potencia de succión de la aspiradora en tres pasos presionando el botón de cambio de potencia de succión. Cada pulsación de este botón repite el modo 1 a 3 en un ciclo.

Nivel	Indicación	Modo
1		Modo velocidad normal
2		Modo velocidad alta
3		Modo velocidad máxima

NOTA: Puede cambiar la potencia de succión antes de encender la aspiradora.

NOTA: La aspiradora inicia la operación con la misma potencia de succión que la última operación.

NOTA: Si retira la batería inmediatamente después de apagar el aparato, mientras el motor está girando, es posible que la aspiradora no inicie la operación con la misma potencia de succión que la última operación.

Abrazadera de la manguera

La abrazadera de la manguera puede utilizarse para sujetar la manguera o la boquilla amplia. Para fijar la manguera al cuerpo de la aspiradora, pase la abrazadera de la manguera a través de la ranura en el cuerpo. Usted puede fijar la abrazadera de la manguera en cualquiera de los lados.

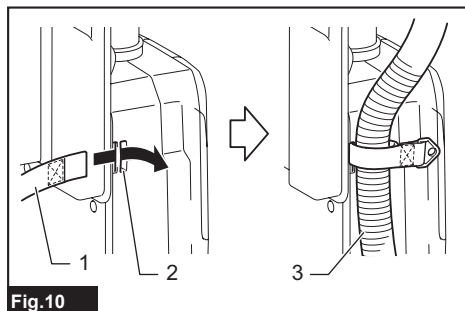


Fig.10

► 1. Abrazadera de la manguera 2. Ranura 3. Manguera

El bucle en la correa inferior se puede utilizar para transportar boquillas, tal como se ilustra.

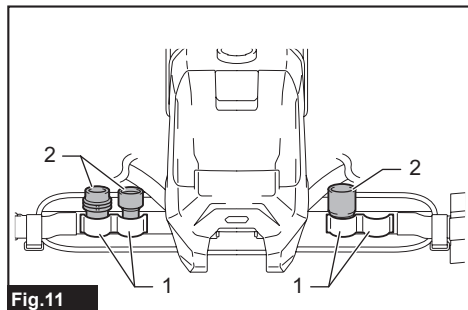


Fig.11

► 1. Bucle 2. Boquillas

MONTAJE

⚠PRECAUCIÓN: Asegúrese siempre de que el aparato esté apagado y el cartucho de batería haya sido extraído antes de realizar cualquier trabajo en el aparato.

Ensamble de la manguera

Inserte la boca de la manguera en el cuerpo de la aspiradora y gírela en el sentido de las manecillas del reloj.

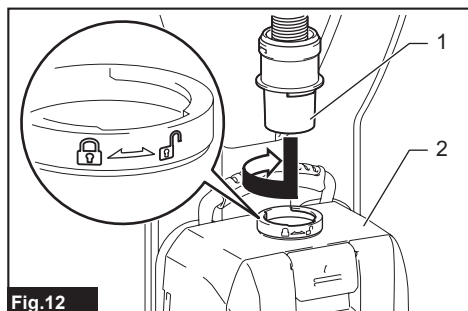


Fig.12

► 1. Boca de la manguera 2. Cuerpo de la aspiradora

Conexión de la herramienta

Si el conjunto de tubo curvo está acoplado a la manguera, afloje el manguito del conjunto de tubo curvo y retírelo.

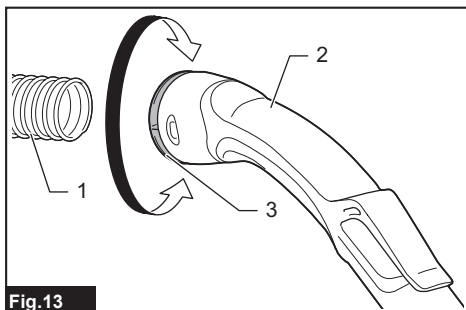


Fig.13

► 1. Manguera 2. Conjunto de tubo curvo 3. Manguito

1. Acople la boca delantera a la manguera de extracción de polvo. Cuando conecte la boca delantera, asegúrese de que quede bien atornillada en la manguera.
2. Conecte la boca delantera a la salida de extracción de la herramienta.

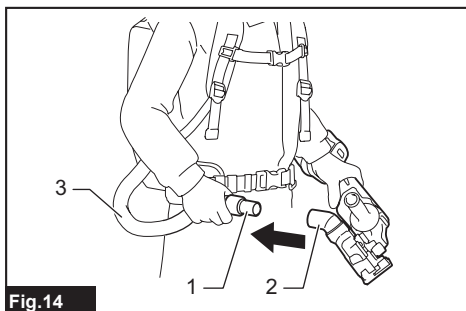


Fig.14

► 1. Boca delantera 2. Salida de extracción
3. Manguera

La boca delantera puede desconectarse girándola en sentido inverso al de las manecillas del reloj mientras sostiene la manguera.

NOTA: Utilice siempre una boca delantera adecuada. Cuando utilice la boca delantera 24, acóplela a la boca delantera 22 que se encuentra conectada a la manguera.

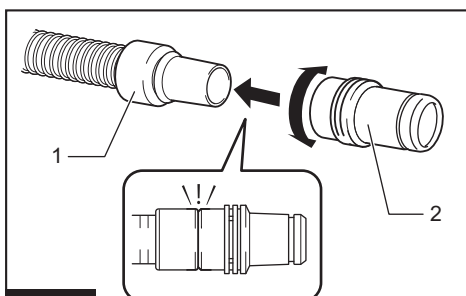


Fig.15

► 1. Boca delantera 22 2. Boca delantera 24

Uso como aspiradora

Si desea usar este producto como aspiradora, siga los procedimientos a continuación.

AVISO: Si la boca delantera está acoplada a la manguera, extráigala primero.

NOTA: El conjunto de tubo curvo, el tubo de extensión y las boquillas se suministran como accesorios opcionales en algunos países.

NOTA: Hay dos tipos de conjunto de tubo curvo; uno para el tubo de extensión de tipo corredera y el otro para el tubo de extensión de tipo anillo. Al preparar el conjunto de tubo curvo, elija el que corresponda al tipo de tubo de extensión deseado.

1. Fije el manguito del conjunto de tubo curvo en la manguera.

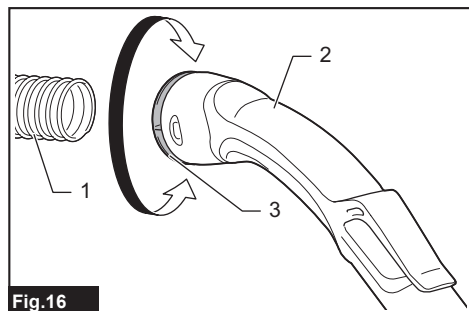


Fig.16

- 1. Manguera 2. Conjunto de tubo curvo 3. Manguito

Para extraer el conjunto de tubo curvo, afloje el manguito del conjunto de tubo curvo respecto de la manguera.

2. Inserte la boquilla girándola en el tubo de extensión.

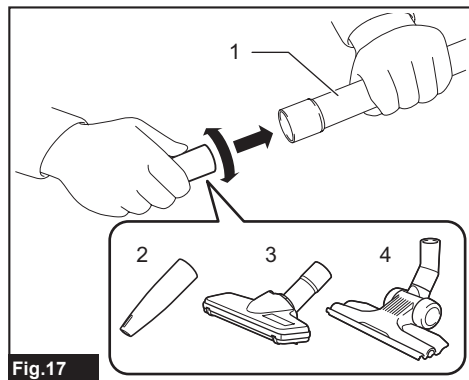


Fig.17

- 1. Tubo de extensión 2. Boquilla amplia 3. Boquilla T 4. Boquilla T (delgada)

NOTA: Girándola mientras se inserta, la boquilla puede fijarse firmemente al tubo de extensión.

3. Siga los procedimientos a continuación dependiendo del tipo de tubo de extensión:

NOTA: El tubo de extensión de tipo corredera y el tubo de extensión de tipo anillo no son compatibles entre sí. Si desea cambiar el tubo de extensión de tipo corredera por el tubo de extensión de tipo anillo o viceversa, cambie todo el conjunto de tubo curvo.

Para el tubo de extensión de tipo corredera

Cárguese al hombro el cuerpo de la aspiradora y a continuación inserte el tubo de extensión en el conjunto de tubo curvo hasta escuchar un clic. Para desconectar, extraiga el tubo de extensión oprimiendo el botón.

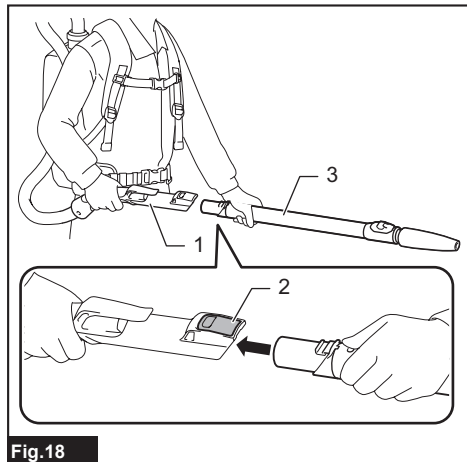


Fig.18

- 1. Conjunto de tubo curvo 2. Botón 3. Tubo de extensión de tipo corredera

La longitud del tubo puede ser ajustada.

Ajuste la longitud del tubo mientras presiona el botón deslizante. La longitud se bloquea cuando se suelta el botón deslizante.

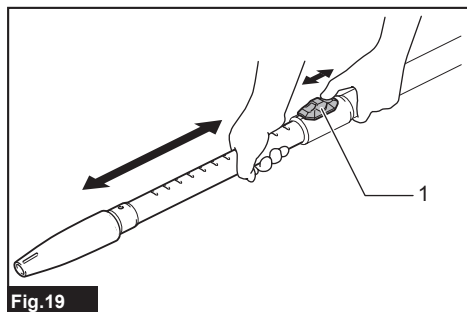


Fig.19

- 1. Botón deslizante

Para el tubo de extensión de tipo anillo

Cárguese al hombro el cuerpo de la aspiradora y a continuación inserte girando el tubo de extensión en el conjunto de tubo curvo. Para desconectar, extraígalo girándolo.

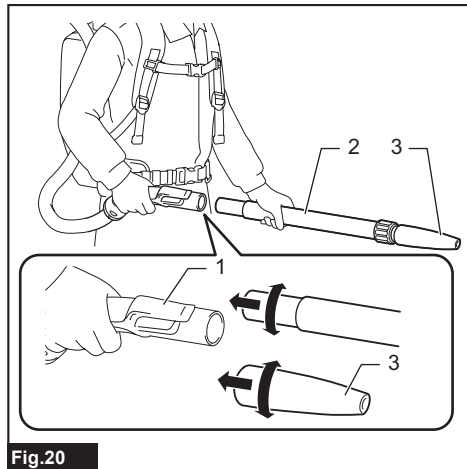


Fig.20

- 1. Conjunto de tubo curvo 2. Tubo de extensión de tipo anillo 3. Boquilla amplia

NOTA: La boquilla amplia puede fijarse directamente al conjunto de tubo curvo sin el seguro del tubo.

La longitud del tubo puede ser ajustada. Afloje el anillo en el tubo y ajuste la longitud del tubo. Apriete el anillo en la longitud deseada.

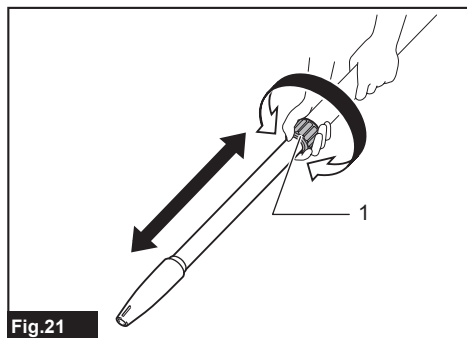


Fig.21

- 1. Anillo

Gancho de la manguera

Cuando suspenda la operación, el gancho en el conjunto de tubo curvo puede utilizarse para colgar el tubo en la correa inferior.

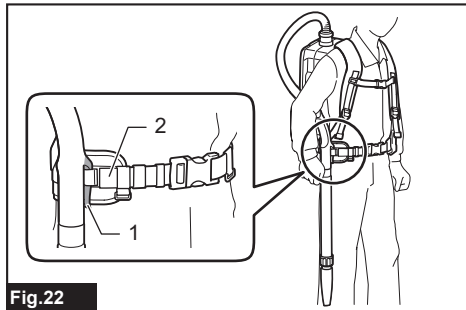


Fig.22

- 1. Gancho 2. Correa inferior

Instalación de la bolsa del filtro/ bolsa recolectora de polvo

Accesorio opcional

PRECAUCIÓN: No use una bolsa del filtro dañada. Siempre utilice la aspiradora con la bolsa del filtro instalada correctamente. De lo contrario, el polvo o las partículas aspiradas podrían escapar de la aspiradora y causar una enfermedad respiratoria al operador.

AVISO: Cuando la bolsa del filtro ya esté llena, reemplácela con una nueva. Cuando la bolsa recolectora de polvo ya esté llena, vacíela. El uso continuo de la bolsa del filtro/bolsa recolectora de polvo cuando está llena ocasionará una reducción de la potencia de succión.

AVISO: Para evitar que el polvo se introduzca en el motor:

- Asegúrese de instalar la bolsa del filtro/bolsa recolectora de polvo antes de su uso.
- No utilice una bolsa rota o rasgada.

De lo contrario, el motor podría averiarse.

AVISO: No doble el cartón en su abertura cuando instale la bolsa del filtro/bolsa recolectora de polvo.

AVISO: La bolsa del filtro/bolsa recolectora de polvo de la aspiradora es un componente importante para mantener el buen desempeño del aparato. El utilizar una bolsa del filtro/bolsa recolectora de polvo no original puede ocasionar humo o ignición.

NOTA: Cuando la bolsa del filtro/bolsa recolectora de polvo no se instalan en la aspiradora, la cubierta delantera no se cierra por completo.

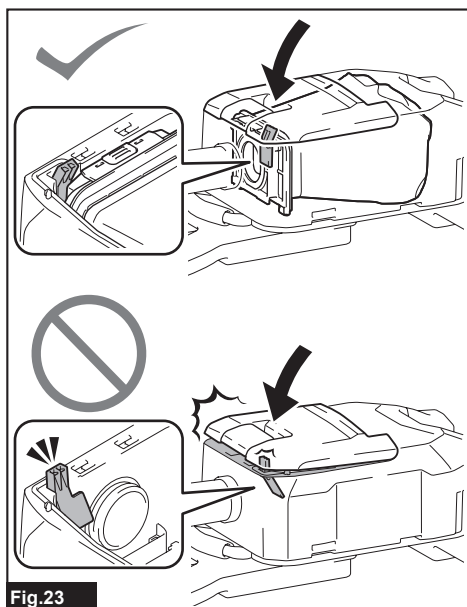


Fig.23

1. Desbloquee la palanca y abra la cubierta de la caja para polvo.

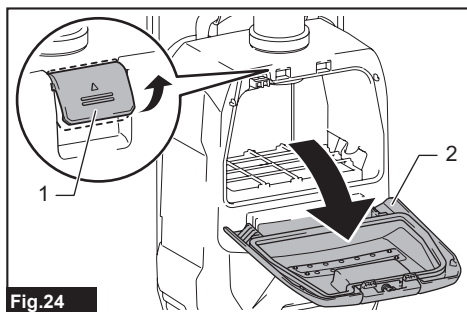


Fig.24

1. Palanca 2. Cubierta de la caja para polvo

2. Inserte la bolsa del filtro en la hendidura en la parte superior del compartimento tal como se ilustra.

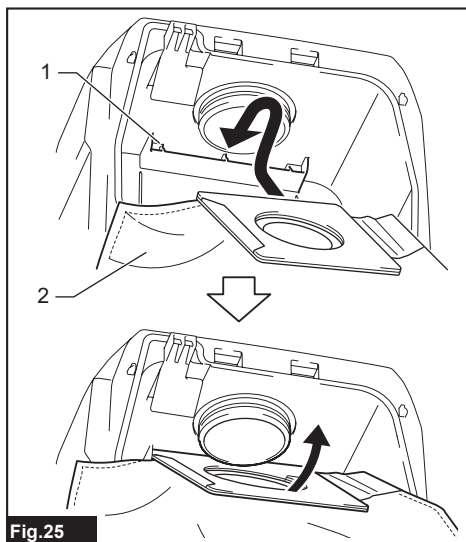


Fig.25

1. Hendidura 2. Bolsa del filtro

- Cuando utilice la bolsa recolectora de polvo, inserte su reborde en la hendidura.

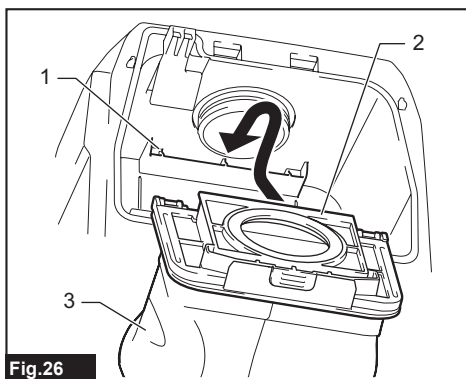


Fig.26

1. Hendidura 2. Reborde 3. Bolsa recolectora de polvo

3. Alinee el orificio de la bolsa del filtro con la boca de la manguera y empuje la parte de cartón hasta el tope. Asegúrese de que la arandela de goma en la bolsa del filtro esté por encima del reborde en la boca de la manguera.

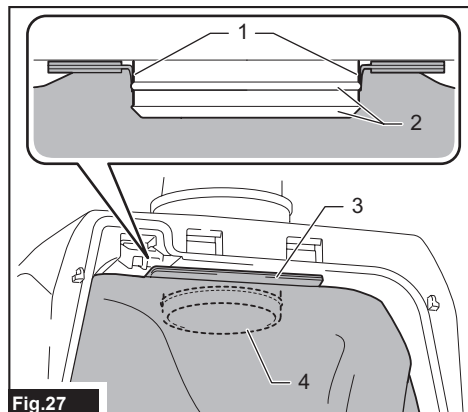


Fig.27

► 1. Arandela de goma en la bolsa del filtro
2. Reborde en la boca de la manguera 3. Parte de cartón de la bolsa del filtro 4. Boca de la manguera

4. Asegure la cubierta de la caja para polvo firmemente.

⚠ PRECAUCIÓN: Tenga cuidado de no pellizcar sus dedos cuando enganche el seguro y al cerrar la cubierta de la caja para polvo.

OPERACIÓN

⚠ ADVERTENCIA: Los operadores deberán recibir las instrucciones adecuadas sobre el uso de la aspiradora.

⚠ ADVERTENCIA: Esta aspiradora no es apropiada para recoger polvo peligroso.

⚠ PRECAUCIÓN: Esta aspiradora está diseñada exclusivamente para el uso en seco.

⚠ PRECAUCIÓN: Siempre inserte completamente el cartucho de batería hasta que quede asegurado en su lugar. Si puede ver el indicador rojo del lado superior del botón, esto indica que no ha quedado completamente asegurado. Insértelo por completo hasta que el indicador rojo no pueda verse. De lo contrario, podría salirse accidentalmente de la herramienta y ocasionarle lesiones a usted o a alguien a su alrededor.

⚠ PRECAUCIÓN: Durante la operación, tenga siempre en mente que lleva la aspiradora a la espalda. Podría perder el equilibrio si el cuerpo de la aspiradora choca contra una pared o la manguera se engancha en algún obstáculo.

1. Cargue al hombro el cuerpo de la aspiradora y fije las correas inferior y superior. Ajuste lo apretado según sea necesario.

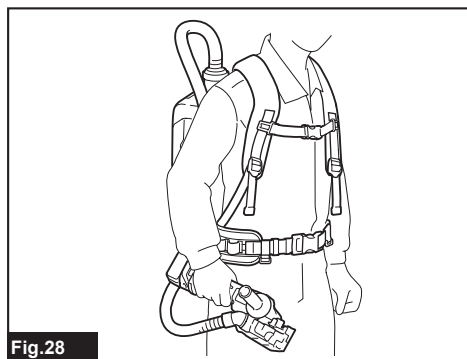


Fig.28

2. Oprima el botón **⏻** para comenzar a aspirar. Si desea cambiar la potencia de succión, oprima el botón **⏻** hasta seleccionar la potencia de succión deseada. Oprima el botón **⏻** para parar.

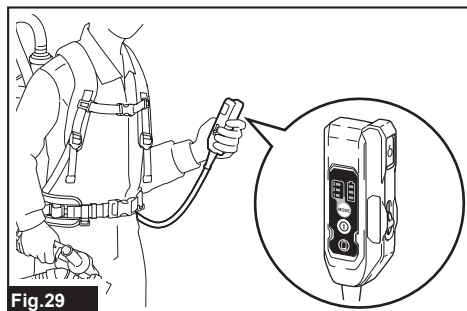


Fig.29

Durante la operación, enganche la caja del interruptor en la correa inferior o el anillo en D.

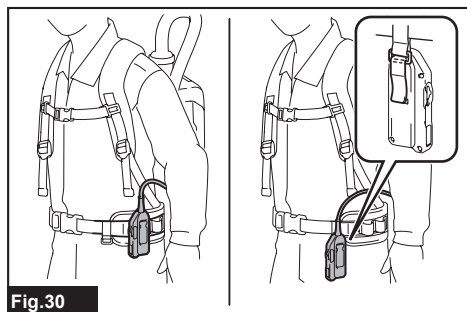


Fig.30

3. Reemplace la bolsa del filtro cuando esté llena. Abra la tapa y extraiga la bolsa del filtro. Jale la tira en el lado de la abertura para cerrar la bolsa del filtro y desechar la bolsa del filtro completa.

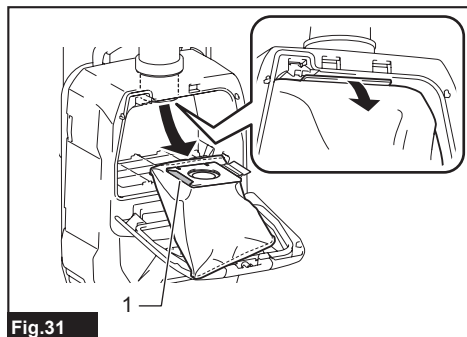


Fig.31

► 1. Tira

Cuando utilice una bolsa recolectora de polvo, retire la bolsa recolectora de polvo y deseche el polvo liberando la aldabilla.

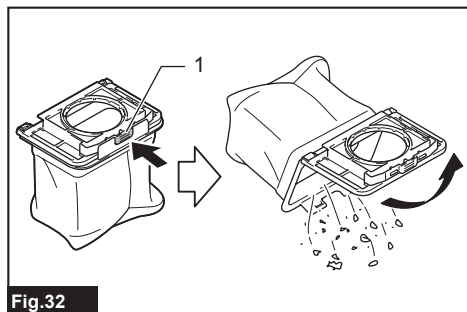


Fig.32

► 1. Aldabilla

AVISO: Inspeccione periódicamente la bolsa del filtro para ver si está llena. El uso continuo de la bolsa del filtro cuando está llena ocasionará una reducción de la potencia de succión.

AVISO: No utilice una bolsa del filtro usada. La bolsa del filtro está diseñada para usarse una sola vez. El uso repetido de la bolsa del filtro puede causar el atasco del filtro y daños a la aspiradora. Si desea utilizar la bolsa repetidamente, utilice una bolsa recolectora de polvo.

FUNCIÓN DE ACTIVACIÓN INALÁMBRICA

Lo que puede hacer con la función de activación inalámbrica

La función de activación inalámbrica permite una operación limpia y cómoda. Si conecta a la aspiradora una herramienta compatible, podrá hacer que la aspiradora funcione automáticamente al activar el interruptor de la herramienta.

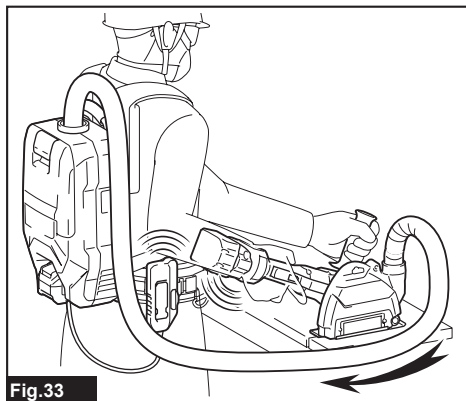


Fig.33

AVISO: Asegúrese de consultar el manual de instrucciones de la herramienta cuando utilice la aspiradora con la función de activación inalámbrica.

AVISO: No desarme ni modifique la unidad inalámbrica.

AVISO: Para impedir que entre el polvo en la ranura de la unidad inalámbrica, cierre siempre bien la tapa durante la operación o el almacenamiento.

AVISO: No retire la unidad inalámbrica mientras se esté suministrando electricidad. De lo contrario se podría causar una avería de la unidad inalámbrica.

AVISO: No oprima el botón de activación inalámbrica demasiado fuerte ni lo haga con ningún objeto que tenga un borde filoso.


NOTA: La activación inalámbrica requiere que la unidad inalámbrica esté equipada con herramientas Makita.

NOTA: Antes de usar por primera vez la función de activación inalámbrica con cada herramienta, es necesario registrar la herramienta. Una vez finalizado el registro de la herramienta, éste no será necesario de nuevo a menos que haya sido cancelado.

NOTA: Antes del registro, asegúrese de que la unidad inalámbrica haya sido insertada correctamente.

NOTA: Una unidad inalámbrica puede registrar hasta 10 enlaces con otras unidades inalámbricas. Si se registran más de otras 10 unidades inalámbricas a una unidad inalámbrica, la registrada al principio se cancelará automáticamente.

NOTA: La posición del botón de activación inalámbrica varía en función de la herramienta.

NOTA: La aspiradora también arranca al oprimir el botón  cuando el interruptor de modo en espera se pone en la posición "I (ENCENDIDO)".

No obstante, el botón  no funcionará cuando se utilice la función de activación inalámbrica.

Instalación de la unidad inalámbrica

⚠PRECAUCIÓN: Coloque la aspiradora sobre una superficie plana y estable cuando vaya a instalar la unidad inalámbrica.

AVISO: Limpie el polvo y la suciedad en la aspiradora antes de instalar la unidad inalámbrica.

El polvo o la suciedad podrían causar una avería si llegan a introducirse en la ranura de la unidad inalámbrica.

AVISO: Para evitar una avería a causa de la electricidad estática, toque un material de descarga de electricidad estática, tal como una pieza metálica antes de levantar la unidad inalámbrica.

AVISO: Cuando vaya a instalar la unidad inalámbrica, asegúrese siempre de que ésta sea insertada en la dirección correcta y que la tapa esté completamente cerrada.

1. Abra la tapa de la aspiradora tal como se muestra en la ilustración.

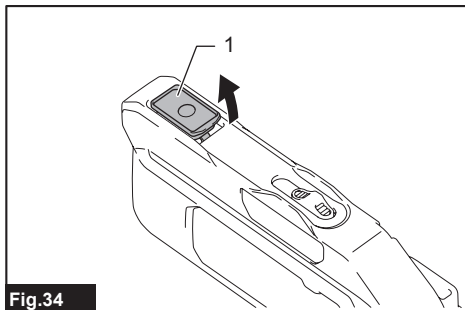


Fig.34

► 1. Tapa

2. Inserte la unidad inalámbrica en la ranura y luego cierre la tapa.

Cuando inserte la unidad inalámbrica, alinee las partes salientes con las partes cóncavas en la ranura.

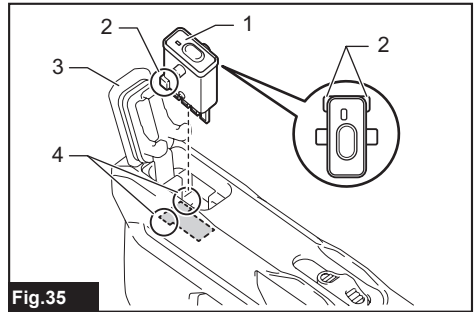


Fig.35

► 1. Unidad inalámbrica 2. Parte saliente 3. Tapa
4. Parte cóncava

Cuando extraiga la unidad inalámbrica, abra la tapa lentamente. Los ganchos en la parte posterior de la tapa levantarán la unidad inalámbrica mientras usted jala hacia arriba la tapa.

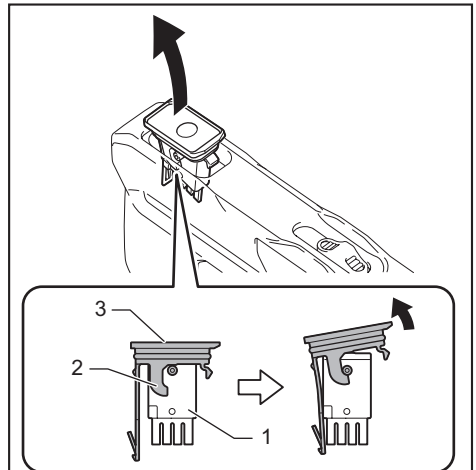


Fig.36

► 1. Unidad inalámbrica 2. Gancho 3. Tapa

Una vez extraída la unidad inalámbrica, guárdela en el estuche suministrado o en un contenedor libre de electricidad estática.

AVISO: Use siempre los ganchos en la parte posterior de la tapa cuando extraiga la unidad inalámbrica. Si los ganchos no sujetan la unidad inalámbrica, cierre la tapa por completo y vuelva a abrirla lentamente.

Registro de herramientas para la aspiradora

NOTA: Para el registro de la herramienta, se requiere una herramienta Makita compatible con la función de activación inalámbrica.

NOTA: Termine de instalar la unidad inalámbrica en la herramienta antes de comenzar con el registro de la herramienta.

NOTA: Durante el registro de la herramienta, no jale el gatillo interruptor en la herramienta ni oprima el interruptor de encendido de la aspiradora.

NOTA: Consulte también el manual de instrucciones de la herramienta.

Si desea activar la aspiradora junto con el interruptor de activación de la herramienta, termine antes con el registro de la herramienta.

1. Instale las unidades inalámbricas en la aspiradora y en la herramienta respectivamente.
2. Instale las baterías en la aspiradora y en la herramienta.
3. Ajuste el interruptor de modo en espera en la aspiradora en "I (ON)".

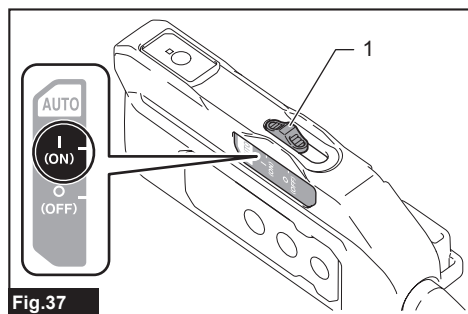


Fig.37

- 1. Interruptor de modo en espera

4. Oprima el botón de activación inalámbrica en la aspiradora durante 3 segundos hasta que la luz indicadora de activación inalámbrica parpadee en verde. Y luego oprima el botón de activación inalámbrica en la herramienta de la misma manera.

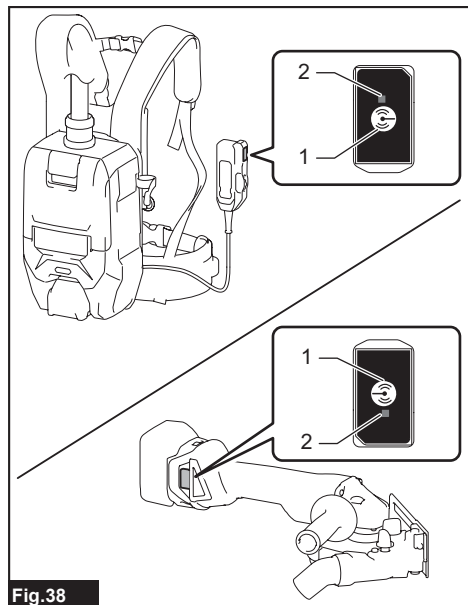


Fig.38

- 1. Botón de activación inalámbrica 2. Luz indicadora de activación inalámbrica

Si la aspiradora y la herramienta han sido conectadas exitosamente, las luces indicadoras de activación inalámbrica se encenderán en verde durante 2 segundos y comenzarán a parpadear en azul.

NOTA: Las luces indicadoras de activación inalámbrica terminarán parpadeando en verde después de un lapso de 20 segundos. Oprima el botón de activación inalámbrica en la herramienta mientras la luz indicadora de activación inalámbrica en la aspiradora esté parpadeando. Si la luz indicadora de activación inalámbrica no parpadea en verde, oprima el botón de activación inalámbrica durante un lapso breve y vuelva a mantenerlo oprimido.

NOTA: Cuando realice dos o más registros de herramientas para una aspiradora, termine el registro de las herramientas de uno en uno.

Inicio de la función de activación inalámbrica

NOTA: Termine con el registro de la herramienta en la aspiradora para la activación inalámbrica.

NOTA: Coloque siempre la aspiradora de manera que pueda ver el estado de la luz indicadora de activación inalámbrica.

NOTA: Consulte también el manual de instrucciones de la herramienta.

Después de registrar una herramienta en la aspiradora, esta última se activará automáticamente junto con el interruptor de activación de la herramienta.

1. Instale las unidades inalámbricas en la aspiradora y en la herramienta respectivamente.
2. Instale las baterías en la aspiradora y en la herramienta.
3. Conecte la manguera de la aspiradora a la herramienta.

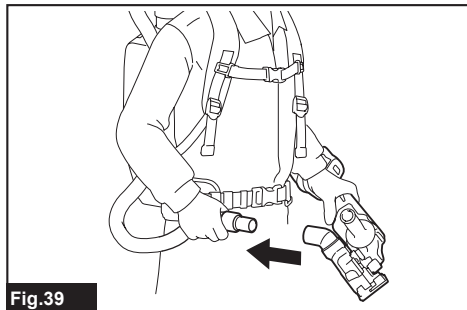


Fig.39

4. Ajuste el interruptor de modo en espera en la aspiradora en "I (ON)". La luz indicadora de activación inalámbrica parpadeará en azul.

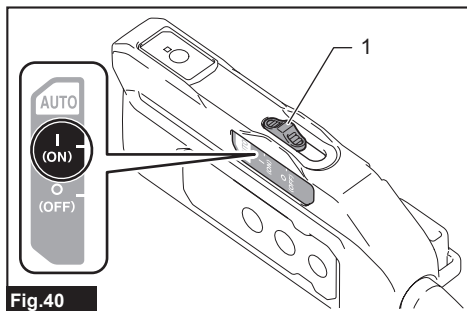


Fig.40

- 1. Interruptor de modo en espera

5. Oprima el botón de activación inalámbrica en la herramienta durante un lapso breve. La luz indicadora de activación inalámbrica parpadeará en azul.

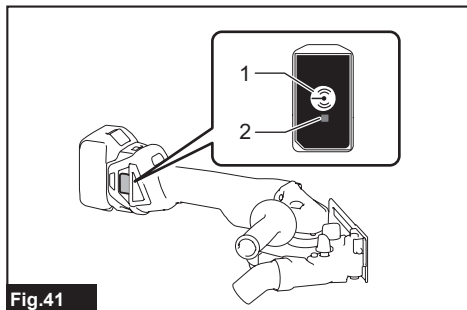


Fig.41

- 1. Botón de activación inalámbrica 2. Luz indicadora de activación inalámbrica

6. Encienda la herramienta. Compruebe si la aspiradora funciona mientras la herramienta está en funcionamiento.

⚠PRECAUCIÓN: Verifique siempre que funciona la función de activación inalámbrica antes de empezar a trabajar con la herramienta.

Para detener la activación inalámbrica, oprima el botón de activación inalámbrica en la herramienta, o ajuste el interruptor de modo en espera en la aspiradora en "O (OFF)".

NOTA: La luz indicadora de activación inalámbrica en la herramienta dejará de parpadear en azul cuando no haya operación durante 2 horas. En este caso, oprima de nuevo los botones de activación inalámbrica en la herramienta.

NOTA: La aspiradora se pondrá en marcha/detendrá con un retraso. Existirá un desfase cuando la aspiradora detecte la activación del interruptor de la herramienta.

NOTA: La distancia de transmisión de la unidad inalámbrica podrá variar en función del lugar y las circunstancias de los alrededores.

NOTA: Cuando dos o más herramientas estén registradas en una aspiradora, esta última podrá comenzar a funcionar incluso si usted no enciende la herramienta, debido a que otro usuario está utilizando la función de activación inalámbrica.

Cancelación del registro de herramientas para la aspiradora

Realice el siguiente procedimiento para cancelar el registro de la herramienta para la aspiradora.

1. Instale las unidades inalámbricas en la aspiradora y en la herramienta respectivamente.
2. Instale las baterías en la aspiradora y en la herramienta.
3. Ajuste el interruptor de modo en espera en la aspiradora en "I (ON)".

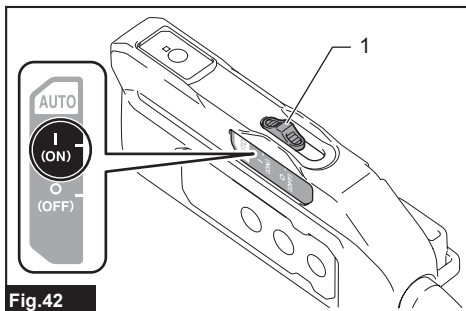


Fig.42

- 1. Interruptor de modo en espera

- Oprima el botón de activación inalámbrica en la aspiradora durante 6 segundos. La luz indicadora de activación inalámbrica parpadeará en verde y luego se pondrá en rojo. Después de eso, oprima el botón de activación inalámbrica en la herramienta de la misma manera.

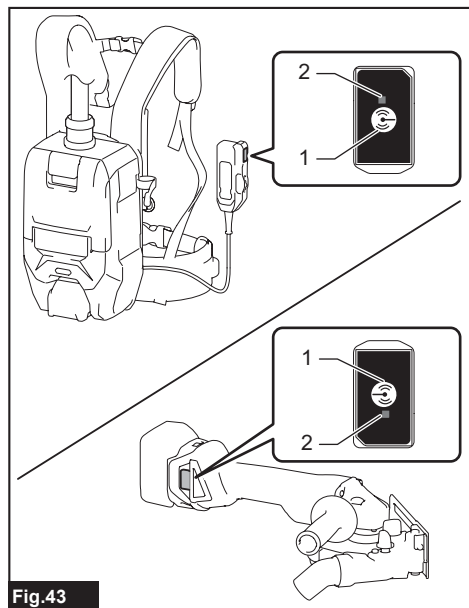


Fig.43

- 1. Botón de activación inalámbrica 2. Luz indicadora de activación inalámbrica

Si la cancelación se realiza exitosamente, las luces indicadoras de activación inalámbrica se encenderán en rojo durante 2 segundos y comenzarán a parpadear en azul.

NOTA: Las luces indicadoras de activación inalámbrica terminarán parpadeando en rojo después de un lapso de 20 segundos. Oprima el botón de activación inalámbrica en la herramienta mientras la luz indicadora de activación inalámbrica en la aspiradora esté parpadeando. Si la luz indicadora de activación inalámbrica no parpadea en rojo, oprima el botón de activación inalámbrica durante un lapso breve y vuelva a mantenerlo oprimido.

Borrado de todos los registros de herramientas

Usted puede borrar todos los registros de herramientas de la aspiradora como se indica a continuación.

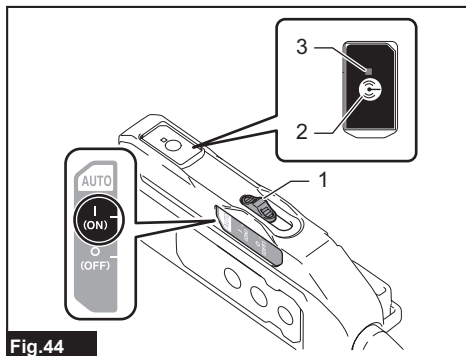


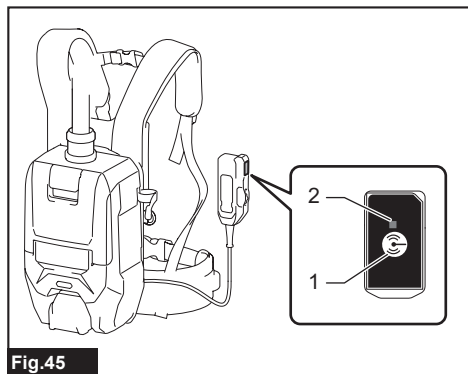
Fig.44

- 1. Interruptor de modo en espera 2. Botón de activación inalámbrica 3. Luz indicadora de activación inalámbrica

- Instale la unidad inalámbrica en la aspiradora.
- Instale las baterías en la aspiradora.
- Ajuste el interruptor de modo en espera en "I (ON)".
- Mantenga oprimido el botón de activación inalámbrica durante aproximadamente 6 segundos hasta que la luz indicadora de activación inalámbrica parpadee en rojo (cerca de dos veces durante un segundo).
- Cuando la luz indicadora de activación inalámbrica comience a parpadear en rojo, suelte el botón de activación inalámbrica. Posteriormente, vuelva a mantener oprimido el botón de activación inalámbrica alrededor de 6 segundos.
- Cuando la luz indicadora de activación inalámbrica comience a parpadear rápidamente en rojo (cerca de 5 veces durante un segundo), suelte el botón de activación inalámbrica. Cuando la luz indicadora de activación inalámbrica se encienda en rojo y luego se apague, todos los registros de herramientas se habrán borrado.

NOTA: Si la luz indicadora de activación inalámbrica no parpadea en rojo, oprima el botón de activación inalámbrica durante un lapso breve e inténtelo nuevamente.

Descripción del estado de la luz indicadora de activación inalámbrica



► 1. Botón de activación inalámbrica 2. Luz indicadora de activación inalámbrica

La luz indicadora de activación inalámbrica muestra el estado de la función de activación inalámbrica. Consulte la tabla a continuación para ver qué significa el estado de la luz indicadora.

Estado	Luz indicadora de activación inalámbrica				Descripción
	Color	■ Encendida	▣ Parpadeando	Duración (aproximada)	
En espera	Azul		▣	Aspiradora: continua Herramienta: 2 horas	Se está esperando el registro de la herramienta o la función de activación inalámbrica está disponible. La luz indicadora en la aspiradora parpadea cuando el interruptor de modo en espera está ajustado en "I (ON)". La luz indicadora en la herramienta parpadea cuando se presiona el botón de activación inalámbrica. La luz indicadora en la herramienta se apaga automáticamente cuando no se realiza ninguna operación durante 2 horas.
		■		Cuando la herramienta está funcionando.	La activación inalámbrica de la aspiradora está disponible y la herramienta está funcionando.
Registro de la herramienta	Verde		▣	20 segundos	Ya se puede realizar el registro de la herramienta. Se está buscando la herramienta que se va a registrar.
		■		2 segundos	El registro de la herramienta ha terminado. La luz indicadora de activación inalámbrica comenzará a parpadear en azul.
Cancelación/borrado del registro de herramientas	Rojo		▣ (lento: 2 veces/s)	20 segundos	Ya se puede cancelar el registro de la herramienta. Se está buscando la herramienta que se va a cancelar.
			▣ (rápido: 5 veces/s)	Cuando el botón de activación inalámbrica es presionado.	Ya se pueden borrar todos los registros de herramientas.
		■		2 segundos	El registro de la herramienta ha sido cancelado/borrado. La luz indicadora de activación inalámbrica comenzará a parpadear en azul.
Otros	Rojo	■		3 segundos	La energía es suministrada a la unidad inalámbrica y la función de activación inalámbrica está arrancando.
	Apagada	-		-	El interruptor de modo en espera no está ajustado en "I (ON)".

DetECCIÓN Y SOLUCIÓN DE PROBLEMAS PARA LA FUNCIÓN DE ACTIVACIÓN INALÁMBRICA

Antes de solicitar alguna reparación, primero realice una inspección por su cuenta. Si detecta algún problema que no esté explicado en el manual, no intente desensamblar la herramienta. En vez de esto, solicite la reparación a un centro de servicio autorizado de Makita, usando siempre piezas de repuesto Makita.

Estado de la anomalía	Causa probable (avería)	Remedio
La luz indicadora de activación inalámbrica no enciende/parpadea.	La unidad inalámbrica no está instalada en la aspiradora y/o la herramienta. La unidad inalámbrica está instalada incorrectamente en la aspiradora y/o la herramienta.	Instale la unidad inalámbrica correctamente.
	La terminal de la unidad inalámbrica y/o la ranura está sucia.	Retire con cuidado el polvo y la suciedad en la terminal de la unidad inalámbrica y limpie la ranura de la aspiradora y/o de la herramienta.
	El botón de activación inalámbrica en la herramienta no se ha oprimido.	Oprima el botón de activación inalámbrica en la herramienta durante un lapso breve. Asegúrese de que la luz indicadora de activación inalámbrica está parpadeando en azul.
	El interruptor de modo en espera en la aspiradora no está ajustado en "I (ON)".	Ajuste el interruptor de modo en espera en la aspiradora en "I (ON)".
	No hay suministro de energía.	Suministre energía a la herramienta y a la aspiradora.
No se puede terminar/cancelar el registro de la herramienta exitosamente.	La unidad inalámbrica no está instalada en la aspiradora y/o la herramienta. La unidad inalámbrica está instalada incorrectamente en la aspiradora y/o la herramienta.	Instale la unidad inalámbrica correctamente.
	La terminal de la unidad inalámbrica y/o la ranura está sucia.	Retire con cuidado el polvo y la suciedad en la terminal de la unidad inalámbrica y limpie la ranura de la aspiradora y/o de la herramienta.
	El interruptor de modo en espera en la aspiradora no está ajustado en "I (ON)".	Ajuste el interruptor de modo en espera en la aspiradora en "I (ON)".
	No hay suministro de energía.	Suministre energía a la herramienta y a la aspiradora.
	Operación incorrecta	Oprima el botón de activación inalámbrica durante un lapso breve y realice los procedimientos de registro/cancelación de la herramienta nuevamente.
	La herramienta y la aspiradora están lejos una de la otra (fuera del rango de transmisión).	Acerque más la herramienta a la aspiradora. La distancia máxima de transmisión es de aproximadamente 10 m, pero puede variar en función de las circunstancias.
	Antes de terminar el registro o cancelación de la herramienta: - que el interruptor de la herramienta se encienda; o - que el botón de la aspiradora se encienda.	Oprima el botón de activación inalámbrica durante un lapso breve y realice los procedimientos de registro/cancelación de la herramienta nuevamente.
	Los procedimientos de registro para la herramienta o la aspiradora no se han terminado.	Realice los procedimientos de registro tanto para la herramienta como para la aspiradora al mismo tiempo.
La perturbación radioeléctrica generada por otros aparatos que emiten ondas de radio de alta intensidad.	Mantenga la herramienta y la aspiradora lejos de aparatos tales como dispositivos Wi-Fi y hornos de microondas.	

Estado de la anomalía	Causa probable (avería)	Remedio
La aspiradora no funciona junto con el interruptor de activación de la herramienta.	La unidad inalámbrica no está instalada en la aspiradora y/o la herramienta. La unidad inalámbrica está instalada incorrectamente en la aspiradora y/o la herramienta.	Instale la unidad inalámbrica correctamente.
	La terminal de la unidad inalámbrica y/o la ranura está sucia.	Retire con cuidado el polvo y la suciedad en la terminal de la unidad inalámbrica y limpie la ranura de la aspiradora y/o de la herramienta.
	El botón de activación inalámbrica en la herramienta no se ha oprimido.	Oprima el botón de activación inalámbrica en la herramienta durante un lapso breve. Asegúrese de que la luz indicadora de activación inalámbrica está parpadeando en azul.
	El interruptor de modo en espera en la aspiradora no está ajustado en "I (ON)".	Ajuste el interruptor de modo en espera en la aspiradora en "I (ON)".
	Más de 10 herramientas están registradas en la aspiradora.	Vuelva a realizar el registro de la herramienta. Si más de 10 herramientas están registradas en la aspiradora, la herramienta registrada al principio se cancelará automáticamente.
	La aspiradora borró todos los registros de herramientas.	Vuelva a realizar el registro de la herramienta.
	No hay suministro de energía.	Suministre energía a la herramienta y a la aspiradora.
	La herramienta y la aspiradora están lejos una de la otra (fuera del rango de transmisión).	Acerque más la herramienta a la aspiradora. La distancia máxima de transmisión es de aproximadamente 10 m, pero puede variar en función de las circunstancias.
	La perturbación radioeléctrica generada por otros aparatos que emiten ondas de radio de alta intensidad.	Mantenga la herramienta y la aspiradora lejos de aparatos tales como dispositivos Wi-Fi y hornos de microondas.
La aspiradora funciona mientras la herramienta no está en funcionamiento.	Otros usuarios están usando la activación inalámbrica de la aspiradora con sus herramientas.	Realice una de las siguientes operaciones: - ajuste el interruptor de modo en espera en la aspiradora en la posición "O"; o - apague el botón de activación inalámbrica en las demás herramientas; o - cancele el registro de la herramienta de las demás herramientas.
No se pueden borrar todos los registros de herramientas en la aspiradora.	El botón de activación inalámbrica en la herramienta está oprimido.	Oprima el botón de activación inalámbrica en la aspiradora para borrar todos los registros de herramientas.
	El interruptor de modo en espera en la aspiradora no está ajustado en "I (ON)".	Ajuste el interruptor de modo en espera en la aspiradora en "I (ON)".
	El botón de activación inalámbrica no se está manteniendo oprimido de forma correcta.	Mantenga oprimido el botón de activación inalámbrica durante más de 6 segundos y luego suéltelo cuando la luz indicadora de activación inalámbrica parpadee en rojo. Mantenga oprimido el botón de activación inalámbrica durante más de 6 segundos nuevamente hasta que el botón de activación inalámbrica parpadee rápidamente en rojo y luego suelte el botón.

MANTENIMIENTO

⚠ PRECAUCIÓN: Asegúrese siempre de que el aparato haya sido apagado y que el cartucho de batería haya sido extraído antes de intentar realizar una inspección o tarea de mantenimiento.

AVISO: Nunca use gasolina, bencina, diluyente (tiner), alcohol o sustancias similares. Puede que esto ocasione grietas o descoloramiento.

Para mantener la SEGURIDAD y FIABILIDAD del producto, las reparaciones, y cualquier otra tarea de mantenimiento o ajuste deberán ser realizadas en centros de servicio autorizados o de fábrica Makita, empleando siempre repuestos Makita.

Limpeza del filtro HEPA

⚠ PRECAUCIÓN: No utilice la aspiradora sin un filtro HEPA, ni continúe usando el filtro HEPA sucio o dañado. El polvo o las partículas aspiradas podrían escapar de la aspiradora y causar una enfermedad respiratoria al operador.

AVISO: Para mantener una potencia de succión óptima y un escape limpio, limpie el filtro HEPA periódicamente. Si no logra obtenerse una potencia de succión suficiente incluso después de la limpieza, reemplace el filtro HEPA con uno nuevo.

AVISO: Para evitar que el filtro HEPA se dañe, no utilice las siguientes herramientas o elementos similares para limpiarlo:

- Sacudidor de aire
- Hidrolavadora de alta presión
- Herramientas hechas de materiales duros, como cepillos metálicos

1. Abra la tapa y extraiga la bolsa del filtro. Libere el gancho del filtro HEPA y retírelo del cuerpo de la aspiradora.

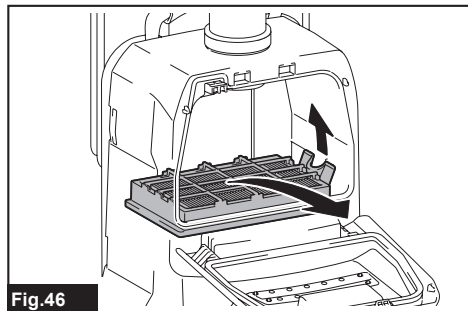


Fig.46

2. Golpee el polvo del filtro HEPA. El filtro HEPA puede ser lavado con agua. Limpie con agua el polvo y las partículas en el filtro HEPA cada 1 o 2 meses. Después de eso, seque por completo el filtro HEPA en un lugar a la sombra y bien ventilado para evitar un olor desagradable o un funcionamiento defectuoso.

3. Para instalar el filtro HEPA, inserte el lado sin la lengüeta en el soporte y luego empuje el filtro HEPA hacia abajo hasta que la lengüeta quede asegurada por la varilla.

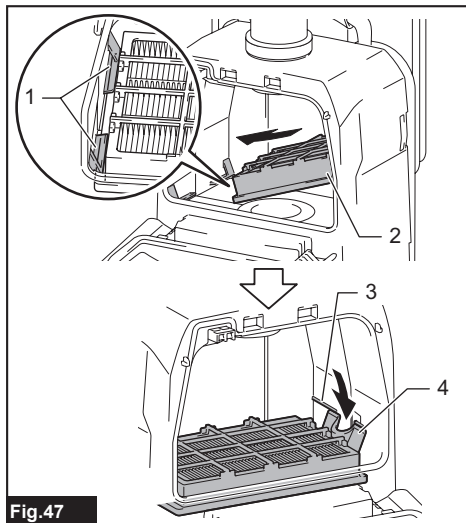


Fig.47

► 1. Soporte 2. Filtro HEPA 3. Varilla 4. Lengüeta

Limpeza de la bolsa recolectora de polvo

Limpie regularmente la bolsa recolectora de polvo con agua y jabón. Voltee al revés la bolsa recolectora de polvo y retire el polvo adherido. Lávela ligeramente con la mano y enjuague bien con agua. Séquela por completo antes de instalarla en la aspiradora.

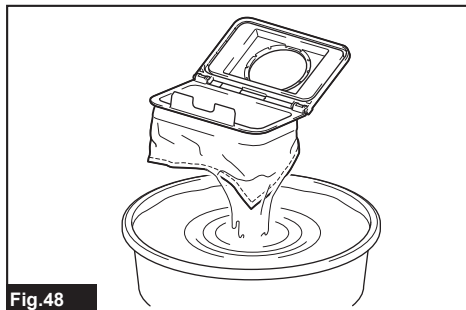


Fig.48

AVISO: Una bolsa recolectora de polvo húmeda reduce el desempeño del aspirado así como la vida del motor.

ACCESORIOS OPCIONALES

⚠PRECAUCIÓN: Estos accesorios o aditamentos están recomendados para utilizarse con su herramienta Makita especificada en este manual. El empleo de cualquier otro accesorio o aditamento puede conllevar el riesgo de lesiones personales. Utilice los accesorios o aditamentos solamente para su fin establecido.

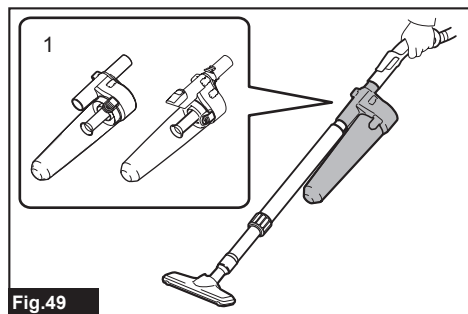
Si necesita cualquier ayuda para más detalles en relación con estos accesorios, pregunte a su centro de servicio local Makita.

- Manguera (para el tipo extractor de polvo)
- Manguera (para el tipo aspiradora)
- Tubo de extensión
- Boquilla amplia
- Boquilla T
- Boquilla para asientos
- Boquilla para esquinas
- Cepillo para estantes
- Cepillo redondo
- Conjunto de tubo curvo
- Bolsa del filtro
- Bolsa recolectora de polvo
- Boca delantera
- Filtro HEPA
- Cubierta del arnés
- Unidad inalámbrica
- Colector ciclónico
- Batería y cargador originales de Makita

NOTA: Algunos de los artículos en la lista pueden incluirse en el paquete de la herramienta como accesorios estándar. Éstos pueden variar de país a país.

Colector ciclónico

NOTA: Cuando utilice el colector ciclónico con este aparato, también se requiere el tubo curvo.



► 1. Colector ciclónico

Acerca del colector ciclónico

El uso de la aspiradora con el colector ciclónico instalado reduce la cantidad de polvo que ingresa a la bolsa recolectora de polvo, lo que ayuda a evitar que la fuerza de succión se debilite. Además, limpiarla después de su uso es algo sencillo.

⚠PRECAUCIÓN: Asegúrese siempre de que la herramienta esté apagada y el cartucho de batería haya sido extraído antes de realizar cualquier trabajo en la misma. Si se deja insertado el cartucho de batería, la aspiradora podría arrancar de forma inesperada y ocasionar una lesión.

⚠PRECAUCIÓN: Limpie el filtro de malla del colector ciclónico y la bolsa recolectora de polvo de la unidad de la aspiradora cuando se obstruyan. El uso continuo en la condición obstruida podría provocar su calentamiento o humo.

AVISO: Cuando se coloca el colector ciclónico, no use el colector ciclónico en la posición horizontal u orientada hacia arriba. El hacerlo podría ocasionar que el filtro de malla se obstruya.

AVISO: Siempre utilice la aspiradora con la bolsa recolectora de polvo instalada, incluso cuando utiliza el colector ciclónico. Si se utiliza la aspiradora sin la bolsa recolectora de polvo instalada se podría ocasionar una avería del motor.

NOTA: Verifique que el colector ciclónico, la aspiradora y el tubo recto estén asegurados correctamente antes de su uso.

NOTA: Vacíe la caja para polvo del colector ciclónico y la bolsa recolectora de polvo de la aspiradora cuando se haya acumulado el polvo. El uso continuo en esas circunstancias debilitará la fuerza de succión.

NOTA: Puede utilizar el colector ciclónico con o sin la función de bloqueo.

NOTA: Para instalar o desinstalar el colector ciclónico, consulte la sección "Uso como aspiradora".

Eliminación del polvo

Cuando se haya acumulado el polvo hasta la línea de llenado completo de la caja para polvo, siga el procedimiento a continuación y deseche el polvo.

1. Sujete la caja para polvo firmemente, oprima y mantenga apretados los dos botones y extraiga la caja para polvo.

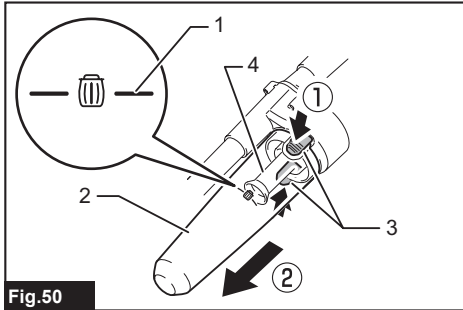


Fig.50

- 1. Línea de llenado completo 2. Caja para polvo
3. Botón (dos ubicaciones) 4. Filtro de malla

2. Deseche el polvo dentro de la caja para polvo y extraiga cualquier polvo y partículas adheridas a la superficie del filtro de malla.
3. Inserte la caja para polvo hasta el fondo hasta que los dos botones queden asegurados con un clic.

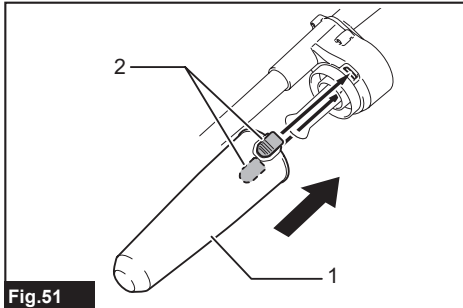


Fig.51

- 1. Caja para polvo 2. Botón (dos ubicaciones)

NOTA: Verifique que el colector ciclónico, la aspiradora y el tubo recto estén asegurados correctamente antes de reiniciar la operación.

NOTA: Si la fuerza de succión no se recupera incluso después de desechar el polvo y de limpiar el filtro de malla, verifique si se ha acumulado polvo en la bolsa recolectora de polvo de la aspiradora o si hay obstrucción.

Limpieza

Cuando la caja para polvo se ensucia o el filtro de malla se obstruye, quítelos y lávelos con agua. (Consulte la sección "Eliminación del polvo" para el procedimiento de eliminación).

Seque las piezas por completo antes de reinstalarlas y usarlas.

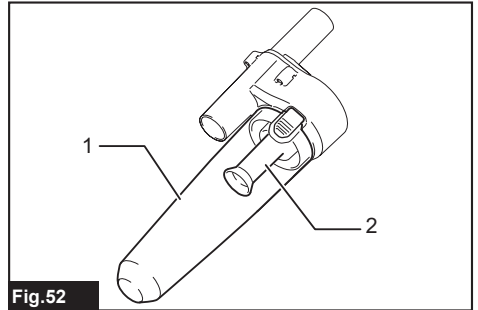


Fig.52

- 1. Caja para polvo 2. Filtro de malla

Cuando el filtro de malla se ensucie en exceso, límpielo con los siguientes procedimientos.

1. Gire el filtro de malla en el sentido contrario a las manecillas del reloj y retírelo mientras los ganchos no están asegurados.

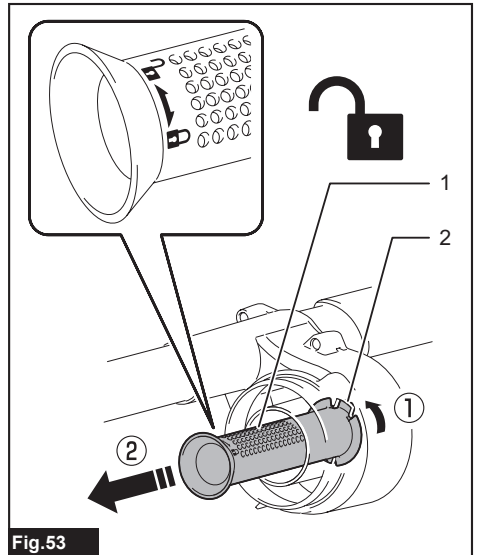


Fig.53

- 1. Filtro de malla 2. Gancho

2. Retire el polvo en el filtro de malla y posteriormente lávelo con agua. Después de esto, séquelo por completo.

3. Inserte el filtro de malla dentro de la base mientras los ganchos están alineados con el puerto. Mueva el filtro de malla en el sentido de las manecillas del reloj hasta que los ganchos se aseguren con un clic. Asegúrese de que el filtro de malla quede bien instalado.

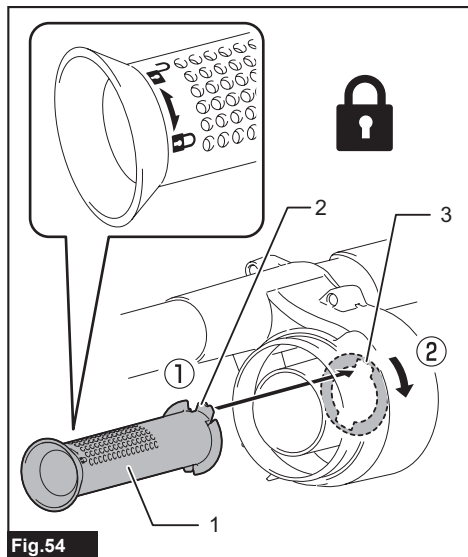


Fig.54

► 1. Filtro de malla 2. Gancho 3. Puerto

GARANTÍA LIMITADA DE MAKITA

Ésta Garantía no aplica para México

Consulte la hoja de la garantía anexa para ver los términos más vigentes de la garantía aplicable a este producto. En caso de no disponer de esta hoja de garantía anexa, consulte los detalles sobre la garantía descritos en el sitio web de su país respectivo indicado a continuación.

Estados Unidos de América: www.makitatools.com

Canadá: www.makita.ca

Otros países: www.makita.com

< USA only >

WARNING

Some dust created by power sanding, sawing, grinding, drilling, and other construction activities contains chemicals known to the State of California to cause cancer, birth defects or other reproductive harm. Some examples of these chemicals are:

- lead from lead-based paints,
- crystalline silica from bricks and cement and other masonry products, and
- arsenic and chromium from chemically-treated lumber.

Your risk from these exposures varies, depending on how often you do this type of work. To reduce your exposure to these chemicals: work in a well ventilated area, and work with approved safety equipment, such as those dust masks that are specially designed to filter out microscopic particles.

< Sólo en los Estados Unidos >

ADVERTENCIA

Algunos polvos creados por el lijado, aserrado, esmerilado, taladrado y otras actividades de la construcción contienen sustancias químicas reconocidas por el Estado de California como causantes de cáncer, defectos de nacimiento y otros peligros de reproducción. Algunos ejemplos de estos productos químicos son:

- plomo de pinturas a base de plomo,
- sílice cristalino de ladrillos y cemento y otros productos de albañilería, y
- arsénico y cromo de maderas tratadas químicamente.

El riesgo al que se expone varía, dependiendo de la frecuencia con la que realice este tipo de trabajo. Para reducir la exposición a estos productos químicos: trabaje en un área bien ventilada y póngase el equipo de seguridad indicado, tal como las máscaras contra polvo que están especialmente diseñadas para filtrar partículas microscópicas.

Makita Corporation

3-11-8, Sumiyoshi-cho,
Anjo, Aichi 446-8502 Japan

www.makita.com

885949A940
GCV06-1
EN, ESMX
20220124