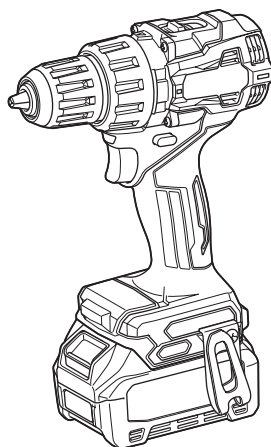


**INSTRUCTION MANUAL
MANUAL DE INSTRUCCIONES**



Cordless Driver Drill Atornillador Taladro Inalámbrico

GFD02



IMPORTANT: Read Before Using.

IMPORTANTE: Lea antes de usar.

SPECIFICATIONS

Model:		GFD02
Drilling capacities	Steel	13 mm (1/2")
	Wood	Auger bit: 38 mm (1-1/2") Self-feed bit: 38 mm (1-1/2") Hole saw: 51 mm (2")
Fastening capacities	Wood screw	10 mm x 90 mm (3/8" x 3-1/2")
	Machine screw	M6 (1/4")
No load speed (RPM)	High (2)	0 - 2,200 /min
	Low (1)	0 - 600 /min
Overall length		164 mm (6-1/2")
Rated voltage		D.C. 36 V - 40 V max
Net weight		1.9 - 2.5 kg (4.2 - 5.5 lbs)

- Due to our continuing program of research and development, the specifications herein are subject to change without notice.
- Specifications may differ from country to country.
- The weight may differ depending on the attachment(s), including the battery cartridge. The lightest and heaviest combination, according to EPTA-Procedure 01/2014, are shown in the table.

Applicable battery cartridge and charger

Battery cartridge	BL4025 / BL4040
Charger	DC40RA

- Some of the battery cartridges and chargers listed above may not be available depending on your region of residence.

⚠ WARNING: Only use the battery cartridges and chargers listed above. Use of any other battery cartridges and chargers may cause injury and/or fire.

SAFETY WARNINGS

General power tool safety warnings

⚠ WARNING: Read all safety warnings, instructions, illustrations and specifications provided with this power tool. Failure to follow all instructions listed below may result in electric shock, fire and/or serious injury.

Save all warnings and instructions for future reference.

The term "power tool" in the warnings refers to your mains-operated (corded) power tool or battery-operated (cordless) power tool.

Work area safety

1. **Keep work area clean and well lit.** Cluttered or dark areas invite accidents.
2. **Do not operate power tools in explosive atmospheres, such as in the presence of flammable liquids, gases or dust.** Power tools create sparks which may ignite the dust or fumes.

3. **Keep children and bystanders away while operating a power tool.** Distractions can cause you to lose control.

Electrical Safety

1. **Power tool plugs must match the outlet. Never modify the plug in any way. Do not use any adapter plugs with earthed (grounded) power tools.** Unmodified plugs and matching outlets will reduce risk of electric shock.
2. **Avoid body contact with earthed or grounded surfaces, such as pipes, radiators, ranges and refrigerators.** There is an increased risk of electric shock if your body is earthed or grounded.
3. **Do not expose power tools to rain or wet conditions.** Water entering a power tool will increase the risk of electric shock.
4. **Do not abuse the cord. Never use the cord for carrying, pulling or unplugging the power tool. Keep cord away from heat, oil, sharp edges or moving parts.** Damaged or entangled cords increase the risk of electric shock.
5. **When operating a power tool outdoors, use an extension cord suitable for outdoor use.** Use of a cord suitable for outdoor use reduces the risk of electric shock.

6. **If operating a power tool in a damp location is unavoidable, use a ground fault circuit interrupter (GFCI) protected supply.** Use of a GFCI reduces the risk of electric shock.
7. **Power tools can produce electromagnetic fields (EMF) that are not harmful to the user.** However, users of pacemakers and other similar medical devices should contact the maker of their device and/or doctor for advice before operating this power tool.
3. **Disconnect the plug from the power source and/or remove the battery pack, if detachable, from the power tool before making any adjustments, changing accessories, or storing power tools.** Such preventive safety measures reduce the risk of starting the power tool accidentally.
4. **Store idle power tools out of the reach of children and do not allow persons unfamiliar with the power tool or these instructions to operate the power tool.** Power tools are dangerous in the hands of untrained users.

Personal Safety

1. **Stay alert, watch what you are doing and use common sense when operating a power tool. Do not use a power tool while you are tired or under the influence of drugs, alcohol or medication.** A moment of inattention while operating power tools may result in serious personal injury.
2. **Use personal protective equipment. Always wear eye protection.** Protective equipment such as dust mask, non-skid safety shoes, hard hat, or hearing protection used for appropriate conditions will reduce personal injuries.
3. **Prevent unintentional starting. Ensure the switch is in the off-position before connecting to power source and/or battery pack, picking up or carrying the tool.** Carrying power tools with your finger on the switch or energising power tools that have the switch on invites accidents.
4. **Remove any adjusting key or wrench before turning the power tool on.** A wrench or a key left attached to a rotating part of the power tool may result in personal injury.
5. **Do not overreach. Keep proper footing and balance at all times.** This enables better control of the power tool in unexpected situations.
6. **Dress properly. Do not wear loose clothing or jewellery. Keep your hair, clothing and gloves away from moving parts.** Loose clothes, jewellery or long hair can be caught in moving parts.
7. **If devices are provided for the connection of dust extraction and collection facilities, ensure these are connected and properly used.** Use of dust collection can reduce dust-related hazards.
8. **Do not let familiarity gained from frequent use of tools allow you to become complacent and ignore tool safety principles.** A careless action can cause severe injury within a fraction of a second.
9. **Always wear protective goggles to protect your eyes from injury when using power tools. The goggles must comply with ANSI Z87.1 in the USA.**
It is an employer's responsibility to enforce the use of appropriate safety protective equipment by the tool operators and by other persons in the immediate working area.

Power tool use and care

1. **Do not force the power tool. Use the correct power tool for your application.** The correct power tool will do the job better and safer at the rate for which it was designed.
2. **Do not use the power tool if the switch does not turn it on and off.** Any power tool that cannot be controlled with the switch is dangerous and must be repaired.

5. **Maintain power tools and accessories. Check for misalignment or binding of moving parts, breakage of parts and any other condition that may affect the power tool's operation. If damaged, have the power tool repaired before use.** Many accidents are caused by poorly maintained power tools.
6. **Keep cutting tools sharp and clean.** Properly maintained cutting tools with sharp cutting edges are less likely to bind and are easier to control.
7. **Use the power tool, accessories and tool bits etc. in accordance with these instructions, taking into account the working conditions and the work to be performed.** Use of the power tool for operations different from those intended could result in a hazardous situation.
8. **Keep handles and grasping surfaces dry, clean and free from oil and grease.** Slippery handles and grasping surfaces do not allow for safe handling and control of the tool in unexpected situations.
9. **When using the tool, do not wear cloth work gloves which may be entangled.** The entanglement of cloth work gloves in the moving parts may result in personal injury.

Battery tool use and care

1. **Recharge only with the charger specified by the manufacturer.** A charger that is suitable for one type of battery pack may create a risk of fire when used with another battery pack.
2. **Use power tools only with specifically designated battery packs.** Use of any other battery packs may create a risk of injury and fire.
3. **When battery pack is not in use, keep it away from other metal objects, like paper clips, coins, keys, nails, screws or other small metal objects, that can make a connection from one terminal to another.** Shorting the battery terminals together may cause burns or a fire.
4. **Under abusive conditions, liquid may be ejected from the battery; avoid contact. If contact accidentally occurs, flush with water. If liquid contacts eyes, additionally seek medical help.** Liquid ejected from the battery may cause irritation or burns.
5. **Do not use a battery pack or tool that is damaged or modified.** Damaged or modified batteries may exhibit unpredictable behaviour resulting in fire, explosion or risk of injury.
6. **Do not expose a battery pack or tool to fire or excessive temperature.** Exposure to fire or temperature above 130 °C may cause explosion.
7. **Follow all charging instructions and do not charge the battery pack or tool outside the temperature range specified in the instructions.** Charging improperly or at temperatures outside the specified range may damage the battery and increase the risk of fire.

Service

1. **Have your power tool serviced by a qualified repair person using only identical replacement parts.** This will ensure that the safety of the power tool is maintained.
2. **Never service damaged battery packs.** Service of battery packs should only be performed by the manufacturer or authorized service providers.
3. **Follow instruction for lubricating and changing accessories.**
4. **Do not modify or attempt to repair the appliance or the battery pack except as indicated in the instructions for use and care.**

Cordless driver drill safety warnings

Safety instructions for all operations

1. **Hold the power tool by insulated gripping surfaces, when performing an operation where the cutting accessory or fasteners may contact hidden wiring.** Cutting accessory or fasteners contacting a "live" wire may make exposed metal parts of the power tool "live" and could give the operator an electric shock.
2. **Always be sure you have a firm footing. Be sure no one is below when using the tool in high locations.**
3. **Hold the tool firmly.**
4. **Keep hands away from rotating parts.**
5. **Do not leave the tool running. Operate the tool only when hand-held.**
6. **Do not touch the drill bit, the workpiece or chips immediately after operation; they may be extremely hot and could burn your skin.**
7. **Some material contains chemicals which may be toxic. Take caution to prevent dust inhalation and skin contact. Follow material supplier safety data.**
8. **If the drill bit cannot be loosened even you open the jaws, use pliers to pull it out.** In such a case, pulling out the drill bit by hand may result in injury by its sharp edge.
9. **Make sure there are no electrical cables, water pipes, gas pipes etc. that could cause a hazard if damaged by use of the tool.**

Safety instructions when using long drill bits


1. **Never operate at higher speed than the maximum speed rating of the drill bit.** At higher speeds, the bit is likely to bend if allowed to rotate freely without contacting the workpiece, resulting in personal injury.
2. **Always start drilling at low speed and with the bit tip in contact with the workpiece.** At higher speeds, the bit is likely to bend if allowed to rotate freely without contacting the workpiece, resulting in personal injury.
3. **Apply pressure only in direct line with the bit and do not apply excessive pressure.** Bits can bend causing breakage or loss of control, resulting in personal injury.

SAVE THESE INSTRUCTIONS.

⚠WARNING: DO NOT let comfort or familiarity with product (gained from repeated use) replace strict adherence to safety rules for the subject product. **MISUSE** or failure to follow the safety rules stated in this instruction manual may cause serious personal injury.

Symbols

The followings show the symbols used for tool.

V	volts
	direct current
n_0	no load speed
\dots / min r / min	revolutions or reciprocation per minute
\varnothing	diameter

Important safety instructions for battery cartridge

1. **Before using battery cartridge, read all instructions and cautionary markings on (1) battery charger, (2) battery, and (3) product using battery.**
2. **Do not disassemble or tamper the battery cartridge.** It may result in a fire, excessive heat, or explosion.
3. **If operating time has become excessively shorter, stop operating immediately.** It may result in a risk of overheating, possible burns and even an explosion.
4. **If electrolyte gets into your eyes, rinse them out with clear water and seek medical attention right away.** It may result in loss of your eyesight.
5. **Do not short the battery cartridge:**
 - (1) **Do not touch the terminals with any conductive material.**
 - (2) **Avoid storing battery cartridge in a container with other metal objects such as nails, coins, etc.**
 - (3) **Do not expose battery cartridge to water or rain.**

A battery short can cause a large current flow, overheating, possible burns and even a breakdown.
6. **Do not store and use the tool and battery cartridge in locations where the temperature may reach or exceed 50 °C (122 °F).**
7. **Do not incinerate the battery cartridge even if it is severely damaged or is completely worn out.** The battery cartridge can explode in a fire.
8. **Do not nail, cut, crush, throw, drop the battery cartridge, or hit against a hard object to the battery cartridge.** Such conduct may result in a fire, excessive heat, or explosion.

9. **Do not use a damaged battery.**
10. **The contained lithium-ion batteries are subject to the Dangerous Goods Legislation requirements.** For commercial transports e.g. by third parties, forwarding agents, special requirement on packaging and labeling must be observed. For preparation of the item being shipped, consulting an expert for hazardous material is required. Please also observe possibly more detailed national regulations. Tape or mask off open contacts and pack up the battery in such a manner that it cannot move around in the packaging.
11. **When disposing the battery cartridge, remove it from the tool and dispose of it in a safe place. Follow your local regulations relating to disposal of battery.**
12. **Use the batteries only with the products specified by Makita.** Installing the batteries to non-compliant products may result in a fire, excessive heat, explosion, or leak of electrolyte.
13. **If the tool is not used for a long period of time, the battery must be removed from the tool.**
14. **During and after use, the battery cartridge may take on heat which can cause burns or low temperature burns. Pay attention to the handling of hot battery cartridges.**
15. **Do not touch the terminal of the tool immediately after use as it may get hot enough to cause burns.**
16. **Do not allow chips, dust, or soil stuck into the terminals, holes, and grooves of the battery cartridge.** It may result in poor performance or breakdown of the tool or battery cartridge.
17. **Unless the tool supports the use near high-voltage electrical power lines, do not use the battery cartridge near a high-voltage electrical power lines.** It may result in a malfunction or breakdown of the tool or battery cartridge.
18. **Keep the battery away from children.**

SAVE THESE INSTRUCTIONS.

CAUTION: Only use genuine Makita batteries. Use of non-genuine Makita batteries, or batteries that have been altered, may result in the battery bursting causing fires, personal injury and damage. It will also void the Makita warranty for the Makita tool and charger.

Tips for maintaining maximum battery life

1. **Charge the battery cartridge before completely discharged. Always stop tool operation and charge the battery cartridge when you notice less tool power.**
2. **Never recharge a fully charged battery cartridge. Overcharging shortens the battery service life.**
3. **Charge the battery cartridge with room temperature at 10 °C - 40 °C (50 °F - 104 °F). Let a hot battery cartridge cool down before charging it.**
4. **When not using the battery cartridge, remove it from the tool or the charger.**
5. **Charge the battery cartridge if you do not use it for a long period (more than six months).**

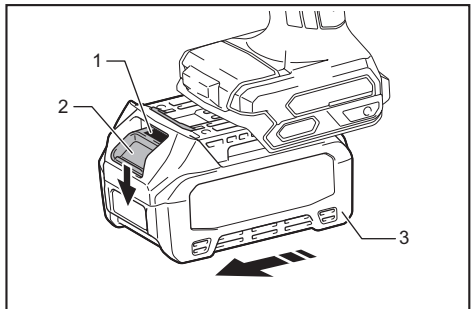
FUNCTIONAL DESCRIPTION

CAUTION: Always be sure that the tool is switched off and the battery cartridge is removed before adjusting or checking function on the tool.

Installing or removing battery cartridge

CAUTION: Always switch off the tool before installing or removing of the battery cartridge.

CAUTION: Hold the tool and the battery cartridge firmly when installing or removing battery cartridge. Failure to hold the tool and the battery cartridge firmly may cause them to slip off your hands and result in damage to the tool and battery cartridge and a personal injury.



► 1. Red indicator 2. Button 3. Battery cartridge

To remove the battery cartridge, slide it from the tool while sliding the button on the front of the cartridge.

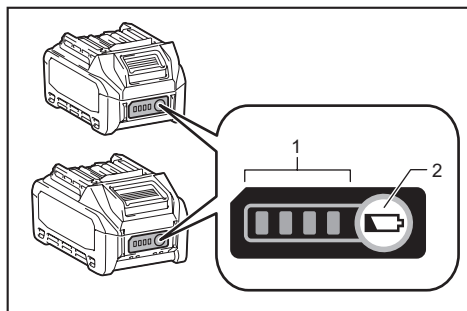
To install the battery cartridge, align the tongue on the battery cartridge with the groove in the housing and slip it into place. Insert it all the way until it locks in place with a little click. If you can see the red indicator on the upper side of the button, it is not locked completely.

CAUTION: Always install the battery cartridge fully until the red indicator cannot be seen. If not, it may accidentally fall out of the tool, causing injury to you or someone around you.

CAUTION: Do not install the battery cartridge forcibly. If the cartridge does not slide in easily, it is not being inserted correctly.

Indicating the remaining battery capacity

Press the check button on the battery cartridge to indicate the remaining battery capacity. The indicator lamps light up for a few seconds.



► 1. Indicator lamps 2. Check button

Indicator lamps			Remaining capacity
Lighted	Off	Blinking	
■ ■ ■ ■	□ □ □ □	▬	75% to 100%
■ ■ ■ □	□ □ □ □	▬	50% to 75%
■ ■ □ □	□ □ □ □	▬	25% to 50%
■ □ □ □	□ □ □ □	▬	0% to 25%
▬ □ □ □	□ □ □ □	▬	Charge the battery.
■ ■ □ □	□ □ □ □	▬	The battery may have malfunctioned.
□ □ ■ ■	□ □ □ □	▬	

NOTE: Depending on the conditions of use and the ambient temperature, the indication may differ slightly from the actual capacity.

NOTE: The first (far left) indicator lamp will blink when the battery protection system works.

Tool / battery protection system

The tool is equipped with a tool/battery protection system. This system automatically cuts off the power to extend tool and battery life. The tool will automatically stop during operation if the tool or battery is placed under one of the following conditions:

Overload protection

This protection works when the tool or battery is operated in a manner that causes it to draw an abnormally high current. In this situation, turn the tool off and stop the application that caused the tool to become overloaded. Then turn the tool on to restart.

Overheat protection

This protection works and the lamp blinks when the tool or battery is overheated. In this situation, let the tool and battery cool before turning the tool on again.

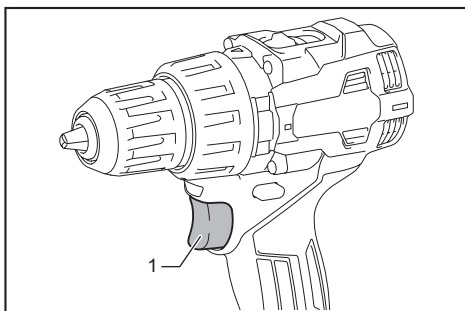
Overdischarge protection

This protection works when the remaining battery capacity gets low. In this situation, remove the battery from the tool and charge the battery.

Switch action

CAUTION: Before installing the battery cartridge into the tool, always check to see that the switch trigger actuates properly and returns to the "OFF" position when released.

To start the tool, simply pull the switch trigger. Tool speed is increased by increasing pressure on the switch trigger. Release the switch trigger to stop.



► 1. Switch trigger

NOTE: The tool automatically stops if you keep pulling the switch trigger for about 6 minutes.

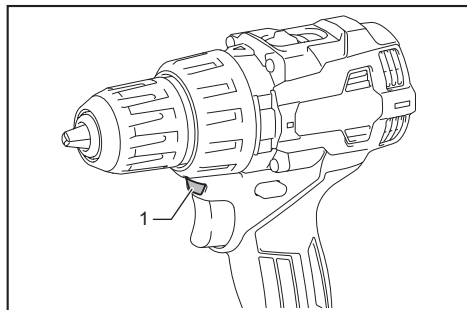
Electric brake

This tool is equipped with an electric brake. If the tool consistently fails to quickly stop after the switch trigger is released, have the tool serviced at a Makita service center.

Lighting up the front lamp

CAUTION: Do not look in the light or see the source of light directly.

Pull the switch trigger to light up the lamp. The lamp keeps on lighting while the switch trigger is being pulled. The lamp goes out approximately 10 seconds after releasing the switch trigger.



► 1. Lamp

NOTE: When the tool is overheated, the tool stops automatically and the lamp starts flashing. In this case, release the switch trigger. The lamp turns off in one minute.

NOTE: Use a dry cloth to wipe the dirt off the lens of the lamp. Be careful not to scratch the lens of lamp, or it may lower the illumination.

Reversing switch action

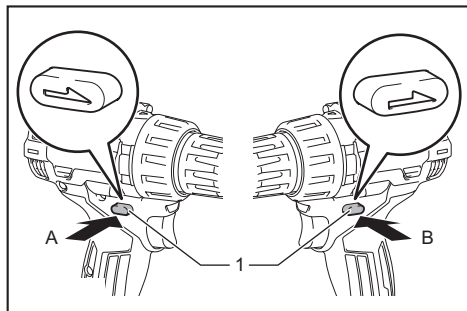
CAUTION: Always check the direction of rotation before operation.

CAUTION: Use the reversing switch only after the tool comes to a complete stop. Changing the direction of rotation before the tool stops may damage the tool.

CAUTION: When not operating the tool, always set the reversing switch lever to the neutral position.

This tool has a reversing switch to change the direction of rotation. Depress the reversing switch lever from the A side for clockwise rotation or from the B side for counterclockwise rotation.

When the reversing switch lever is in the neutral position, the switch trigger cannot be pulled.



► 1. Reversing switch lever

Speed change

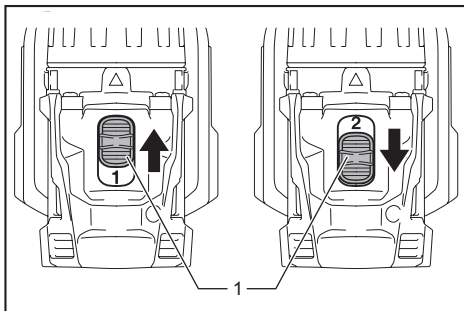
CAUTION: Always set the speed change lever fully to the correct position. If you operate the tool with the speed change lever positioned halfway between the "1" side and "2" side, the tool may be damaged.

CAUTION: Do not use the speed change lever while the tool is running. The tool may be damaged.

Displayed Number	Speed	Torque	Applicable operation
1	Low	High	Heavy loading operation
2	High	Low	Light loading operation

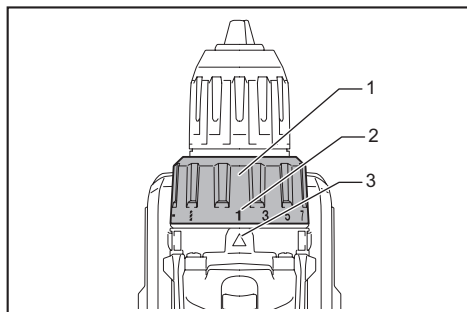
To change the speed, switch off the tool first. Push the speed change lever to display "2" for high speed or "1" for low speed but high torque. Be sure that the speed change lever is set to the correct position before operation.

If the tool speed is coming down extremely during the operation with display "2", push the lever to display "1" and restart the operation.





► 1. Speed change lever

Adjusting the fastening torque



► 1. Adjusting ring 2. Graduation 3. Arrow

The fastening torque can be adjusted in 22 levels by turning the adjusting ring. Align the graduations with the arrow on the tool body. You can get the minimum fastening torque at 1 and maximum torque at  marking. The clutch will slip at various torque levels when set at the number 1 to 21. The clutch does not work at the  marking.

Before actual operation, drive a trial screw into your material or a piece of duplicate material to determine which torque level is required for a particular application.

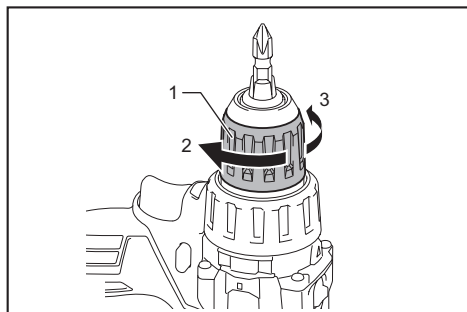
The following shows the rough guide of the relationship between the screw size and graduation.

Graduation		1	2	3	4	5	6	7	8	9	10	11	12	13	14	15	16	17	18	19	20	21	
Machine screw		M4					M5										M6						
Wood screw	Soft wood (e.g. pine)	-					ø3.5 x 22					ø4.1 x 38					-						
	Hard wood (e.g. lauan)	-					ø3.5 x 22					ø4.1 x 38					-						

ASSEMBLY

CAUTION: Always be sure that the tool is switched off and the battery cartridge is removed before carrying out any work on the tool.

Installing or removing driver bit/ drill bit



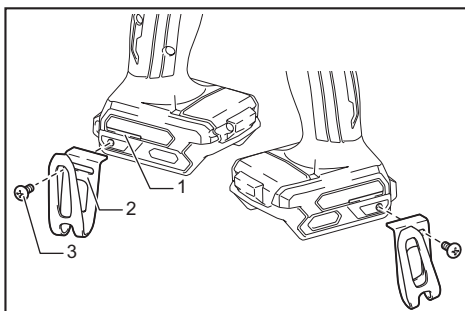
► 1. Sleeve 2. Close 3. Open

Turn the sleeve counterclockwise to open the chuck jaws. Place the driver bit/drill bit in the chuck as far as it will go. Turn the sleeve clockwise to tighten the chuck. To remove the driver bit/drill bit, turn the sleeve counterclockwise.

Installing hook

CAUTION: When installing the hook, always secure it with the screw firmly. If not, the hook may come off from the tool and result in the personal injury.

CAUTION: Use the hanging/mounting parts for their intended purposes only. Using for unintended purpose may cause accident or personal injury.



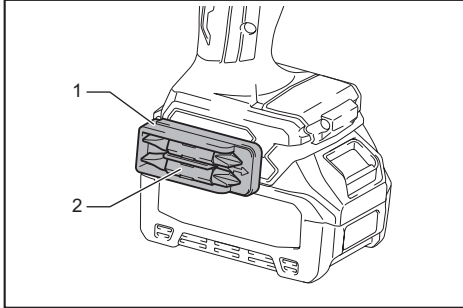
► 1. Groove 2. Hook 3. Screw

The hook is convenient for temporarily hanging the tool. This can be installed on either side of the tool. To install the hook, insert it into a groove in the tool housing on either side and then secure it with a screw. To remove, loosen the screw and then take it out.

NOTICE: When hanging the tool on your belt using the hook, remove the driver bit/drill bit and the side grip.

Installing driver bit holder

Optional accessory

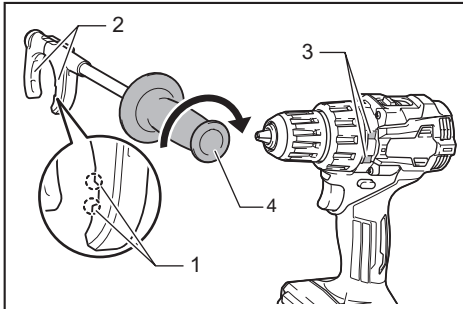


► 1. Driver bit holder 2. Driver bit

Fit the driver bit holder into the protrusion at the tool foot on either right or left side and secure it with a screw. When not using the driver bit, keep it in the driver bit holders. Driver bits 45 mm-long (1-3/4") can be kept there.

Installing side grip (auxiliary handle)

Optional accessory



► 1. Protrusion 2. Arm 3. Recess 4. Grip

Insert the side grip so that the protrusions on the arm fit in the recesses on the tool. Then tighten the grip by turning clockwise. Depending on the operations, you can install the side grip either right or left side of the tool.

OPERATION

CAUTION: Always insert the battery cartridge all the way until it locks in place. If you can see the red indicator on the upper side of the button, it is not locked completely. Insert it fully until the red indicator cannot be seen. If not, it may accidentally fall out of the tool, causing injury to you or someone around you.

CAUTION: When the speed comes down extremely, reduce the load or stop the tool to avoid the tool damage.

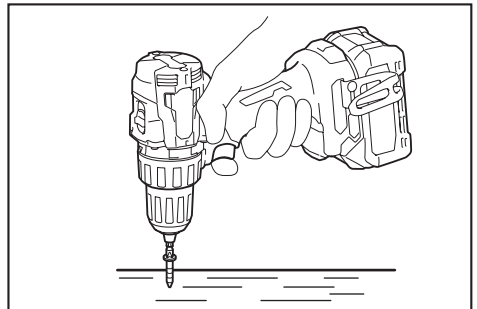
Hold the tool firmly with one hand on the grip and the other hand on the bottom of the battery cartridge to control the twisting action.

Screwdriving operation

CAUTION: Adjust the adjusting ring to the proper torque level for your work.


CAUTION: Make sure that the driver bit is inserted straight in the screw head, or the screw and/or driver bit may be damaged.

Place the point of the driver bit in the screw head and apply pressure to the tool. Start the tool slowly and then increase the speed gradually. Release the switch trigger as soon as the clutch cuts in.



NOTE: When driving wood screw, pre-drill a pilot hole 2/3 the diameter of the screw. It makes driving easier and prevents splitting of the workpiece.

Drilling operation

First, turn the adjusting ring so that the arrow points to the  marking. Then proceed as follows.

Drilling in wood

When drilling in wood, the best results are obtained with wood drills equipped with a guide screw. The guide screw makes drilling easier by pulling the drill bit into the workpiece.

Drilling in metal

To prevent the drill bit from slipping when starting a hole, make an indentation with a center-punch and hammer at the point to be drilled. Place the point of the drill bit in the indentation and start drilling. Use a cutting lubricant when drilling metals. The exceptions are iron and brass which should be drilled dry.

⚠ CAUTION: Pressing excessively on the tool will not speed up the drilling. In fact, this excessive pressure will only serve to damage the tip of your drill bit, decrease the tool performance and shorten the service life of the tool.

⚠ CAUTION: Hold the tool firmly and exert care when the drill bit begins to break through the workpiece. There is a tremendous force exerted on the tool/drill bit at the time of hole break through.

⚠ CAUTION: A stuck drill bit can be removed simply by setting the reversing switch to reverse rotation in order to back out. However, the tool may back out abruptly if you do not hold it firmly.

⚠ CAUTION: Always secure workpieces in a vise or similar hold-down device.

⚠ CAUTION: If the tool is operated continuously until the battery cartridge has discharged, allow the tool to rest for 15 minutes before proceeding with a fresh battery.

MAINTENANCE

⚠ CAUTION: Always be sure that the tool is switched off and the battery cartridge is removed before attempting to perform inspection or maintenance.

NOTICE: Never use gasoline, benzine, thinner, alcohol or the like. Discoloration, deformation or cracks may result.

To maintain product SAFETY and RELIABILITY, repairs, any other maintenance or adjustment should be performed by Makita Authorized or Factory Service Centers, always using Makita replacement parts.

OPTIONAL ACCESSORIES

⚠ CAUTION: These accessories or attachments are recommended for use with your Makita tool specified in this manual. The use of any other accessories or attachments might present a risk of injury to persons. Only use accessory or attachment for its stated purpose.

If you need any assistance for more details regarding these accessories, ask your local Makita Service Center.

- Drill bits
- Driver bits
- Driver bit holder
- Hook
- Side grip
- Makita genuine battery and charger

NOTE: Some items in the list may be included in the tool package as standard accessories. They may differ from country to country.

MAKITA LIMITED WARRANTY

Please refer to the annexed warranty sheet for the most current warranty terms applicable to this product. If annexed warranty sheet is not available, refer to the warranty details set forth at below website for your respective country.

United States of America: www.makitatools.com
Canada: www.makita.ca
Other countries: www.makita.com

ESPECIFICACIONES

Modelo:		GFD02
Capacidades de taladrado	Acero	13 mm (1/2")
	Madera	Broca de barrena: 38 mm (1-1/2") Broca de autoalimentación: 38 mm (1-1/2") Sierra perforadora: 51 mm (2")
Capacidades de apriete	Tornillo para madera	10 mm x 90 mm (3/8" x 3-1/2")
	Tornillo de máquina	6 mm (1/4")
Velocidad sin carga (rpm)	Alta (2)	0 - 2 200 r/min
	Baja (1)	0 - 600 r/min
Longitud total		164 mm (6-1/2")
Tensión nominal		36 V - 40 V (máx.) c.c.
Peso neto		1,9 kg - 2,5 kg (4,2 lbs - 5,5 lbs)

- Debido a nuestro continuo programa de investigación y desarrollo, las especificaciones aquí incluidas están sujetas a cambio sin previo aviso.
- Las especificaciones pueden variar de país a país.
- El peso puede variar en función de los accesorios, incluido el cartucho de batería. En la tabla se muestra la combinación de peso más ligero y más pesado conforme al procedimiento 01/2014 de EPTA.

Cartucho de batería y cargador aplicables

Cartucho de batería	BL4025 / BL4040
Cargador	DC40RA

- Algunos de los cartuchos de batería y cargadores enumerados arriba podrían no estar disponibles dependiendo de su área de residencia.

⚠ ADVERTENCIA: Use únicamente los cartuchos de batería y los cargadores indicados arriba. El uso de cualquier otro cartucho de batería y cargador podría ocasionar una lesión y/o un incendio.

ADVERTENCIAS DE SEGURIDAD

Advertencias generales de seguridad para herramientas eléctricas

⚠ ADVERTENCIA: Lea todas las advertencias de seguridad, instrucciones, ilustraciones y especificaciones suministradas con esta herramienta eléctrica. El no seguir todas las instrucciones indicadas a continuación podría ocasionar una descarga eléctrica, incendio y/o lesiones graves.

Conserve todas las advertencias e instrucciones como referencia en el futuro.

En las advertencias, el término "herramienta eléctrica" se refiere a su herramienta eléctrica de funcionamiento con conexión a la red eléctrica (con cableado eléctrico) o herramienta eléctrica de funcionamiento a batería (inalámbrica).

Seguridad en el área de trabajo

1. **Mantenga el área de trabajo limpia y bien iluminada.** Las áreas oscuras o desordenadas son propensas a accidentes.
2. **No utilice las herramientas eléctricas en atmósferas explosivas, tal como en la presencia de líquidos, gases o polvo inflamables.** Las herramientas eléctricas crean chispas que pueden prender fuego al polvo o los humos.
3. **Mantenga a los niños y curiosos alejados mientras utiliza una herramienta eléctrica.** Las distracciones le pueden hacer perder el control.

Seguridad eléctrica

1. **Las clavijas de conexión de las herramientas eléctricas deberán encajar perfectamente en la toma de corriente. No modifique nunca la clavija de conexión de ninguna forma. No utilice ninguna clavija adaptadora con herramientas eléctricas que tengan conexión a tierra (puesta a tierra).** La utilización de clavijas no modificadas y que encajen perfectamente en la toma de corriente reducirá el riesgo de que se produzca una descarga eléctrica.

2. **Evite tocar con el cuerpo superficies conectadas a tierra o puestas a tierra tales como tubos, radiadores, cocinas y refrigeradores.** Si su cuerpo es puesto a tierra o conectado a tierra existirá un mayor riesgo de que sufra una descarga eléctrica.
3. **No exponga las herramientas eléctricas a la lluvia ni a condiciones húmedas.** La entrada de agua en una herramienta eléctrica aumentará el riesgo de que se produzca una descarga eléctrica.
4. **No maltrate el cable.** Nunca utilice el cable para transportar, jalar o desconectar la herramienta eléctrica. Mantenga el cable alejado del calor, aceite, objetos cortantes o piezas móviles. Los cables dañados o enredados aumentan el riesgo de sufrir una descarga eléctrica.
5. **Cuando utilice una herramienta eléctrica en exteriores, utilice un cable de extensión apropiado para uso en exteriores.** La utilización de un cable apropiado para uso en exteriores reducirá el riesgo de que se produzca una descarga eléctrica.
6. **Si no es posible evitar usar una herramienta eléctrica en condiciones húmedas, utilice un alimentador protegido con interruptor de circuito de falla a tierra (ICFT).** El uso de un ICFT reduce el riesgo de descarga eléctrica.
7. **Las herramientas eléctricas pueden producir campos electromagnéticos (CEM) que no son dañinos para el usuario.** Sin embargo, si los usuarios tienen marcapasos y otros dispositivos médicos similares, deberán consultar al fabricante de su dispositivo y/o a su médico antes de operar esta herramienta eléctrica.
7. **Si dispone de dispositivos para la conexión de equipos de extracción y recolección de polvo, asegúrese de conectarlos y utilizarlos debidamente.** Hacer uso de la recolección de polvo puede reducir los riesgos relacionados con el polvo.
8. **No permita que la familiaridad adquirida debido al uso frecuente de las herramientas haga que se sienta confiado e ignore los principios de seguridad de las herramientas.** Un descuido podría ocasionar una lesión grave en una fracción de segundo.
9. **Utilice siempre gafas protectoras para proteger sus ojos de lesiones al usar herramientas eléctricas.** Las gafas deben cumplir con la Norma ANSI Z87.1 en EUA.
Es responsabilidad del empleador imponer el uso de equipos protectores de seguridad apropiados a los operadores de la herramienta y demás personas cerca del área de trabajo.

Mantenimiento y uso de la herramienta eléctrica

1. **No fuerce la herramienta eléctrica.** Utilice la herramienta eléctrica correcta para su aplicación. La herramienta eléctrica adecuada hará un mejor trabajo y de forma más segura a la velocidad para la que ha sido fabricada.
 2. **No utilice la herramienta eléctrica si el interruptor no la enciende y apaga.** Cualquier herramienta eléctrica que no pueda ser controlada con el interruptor es peligrosa y debe ser reemplazada.
 3. **Desconecte la clavija de la fuente de alimentación y/o retire la batería de la herramienta eléctrica, en caso de ser removible, antes de realizar ajustes, cambiar accesorios o almacenar las herramientas eléctricas.** Tales medidas de seguridad preventivas reducirán el riesgo de poner en marcha la herramienta eléctrica de forma accidental.
 4. **Guarde la herramienta eléctrica que no use fuera del alcance de los niños y no permita que las personas que no están familiarizadas con ella o con las instrucciones la operen.** Las herramientas eléctricas son peligrosas en manos de personas que no saben operarlas.
 5. **Dé mantenimiento a las herramientas eléctricas y los accesorios.** Compruebe que no haya piezas móviles desalineadas o estancadas, piezas rotas y cualquier otra condición que pueda afectar al funcionamiento de la herramienta eléctrica. Si la herramienta eléctrica está dañada, haga que la reparen antes de utilizarla. Muchos de los accidentes son ocasionados por no dar un mantenimiento adecuado a las herramientas eléctricas.
 6. **Mantenga las herramientas de corte limpias y filosas.** Si recibe un mantenimiento adecuado y tiene los bordes afilados, es probable que la herramienta se atasque menos y sea más fácil controlarla.
 7. **Utilice la herramienta eléctrica, los accesorios y las brocas de acuerdo con estas instrucciones, considerando las condiciones laborales y el trabajo a realizar.** Si utiliza la herramienta eléctrica para realizar operaciones distintas de las indicadas, podrá presentarse una situación peligrosa.
- #### Seguridad personal
1. **Manténgase alerta, preste atención a lo que está haciendo y utilice su sentido común cuando opere una herramienta eléctrica.** No utilice una herramienta eléctrica cuando esté cansado o bajo la influencia de drogas, alcohol o medicamentos. Un momento de distracción mientras opera las herramientas eléctricas puede terminar en una lesión grave.
 2. **Use equipo de protección personal. Póngase siempre protección para los ojos.** El equipo protector tal como máscara contra el polvo, zapatos de seguridad antiderrapantes, casco rígido y protección para oídos utilizado en las condiciones apropiadas reducirá el riesgo de lesiones.
 3. **Impida el encendido accidental.** Asegúrese de que el interruptor esté en la posición de apagado antes de conectar a la alimentación eléctrica y/o de colocar el cartucho de batería, así como al levantar o cargar la herramienta. Cargar las herramientas eléctricas con su dedo en el interruptor o enchufarlas con el interruptor encendido hace que los accidentes sean comunes.
 4. **Retire cualquier llave de ajuste o llave de apriete antes de encender la herramienta.** Una llave de ajuste o llave de apriete que haya sido dejada puesta en una parte giratoria de la herramienta eléctrica puede ocasionar alguna lesión.
 5. **No utilice la herramienta donde no alcance.** Mantenga los pies sobre suelo firme y el equilibrio en todo momento. Esto permite un mejor control de la herramienta eléctrica en situaciones inesperadas.
 6. **Use una vestimenta apropiada. No use ropa suelta ni alhajas.** Mantenga el cabello, la ropa y los guantes alejados de las piezas móviles. Las prendas de vestir holgadas, las alhajas y el cabello largo suelto podrían engancharse en estas piezas móviles.

8. **Mantenga los mangos y superficies de asiento secos, limpios y libres de aceite o grasa.** Los mangos y superficies de asiento resbalosos no permiten una manipulación segura ni el control de la herramienta en situaciones inesperadas.
9. **Cuando vaya a utilizar esta herramienta, evite usar guantes de trabajo de tela ya que éstos podrían atorarse.** Si los guantes de trabajo de tela llegan a atorarse en las piezas móviles, esto podría ocasionar lesiones personales.

Uso y cuidado de la herramienta a batería

1. **Recargue sólo con el cargador especificado por el fabricante.** Un cargador que es adecuado para un solo tipo de batería puede generar riesgo de incendio al ser utilizado con otra batería.
2. **Utilice las herramientas eléctricas solamente con las baterías designadas específicamente para ellas.** La utilización de cualquier otra batería puede crear un riesgo de lesiones o incendio.
3. **Cuando no se esté usando la batería, manténgala alejada de otros objetos metálicos, como sujetapapeles (clips), monedas, llaves, clavos, tornillos u otros objetos pequeños de metal los cuales pueden actuar creando una conexión entre las terminales de la batería.** Originar un cortocircuito en las terminales puede causar quemaduras o incendios.
4. **En condiciones abusivas, podrá escapar líquido de la batería; evite tocarlo. Si lo toca accidentalmente, enjuague con agua. Si hay contacto del líquido con los ojos, busque asistencia médica.** Puede que el líquido expulsado de la batería cause irritación o quemaduras.
5. **No utilice una herramienta ni una batería que estén dañadas o hayan sido modificadas.** Las baterías dañadas o modificadas podrían ocasionar una situación inesperada provocando un incendio, explosión o riesgo de lesiones.
6. **No exponga la herramienta ni la batería al fuego ni a una temperatura excesiva.** La exposición al fuego o a una temperatura superior a los 130 °C podría causar una explosión.
7. **Siga todas las instrucciones para la carga y evite cargar la herramienta o la batería fuera del rango de temperatura especificado en las instrucciones.** Una carga inadecuada o a una temperatura fuera del rango especificado podría dañar la batería e incrementar el riesgo de incendio.

Servicio

1. **Haga que una persona calificada repare la herramienta eléctrica utilizando sólo piezas de repuesto idénticas.** Esto asegura que se mantenga la seguridad de la herramienta eléctrica.
2. **Nunca dé servicio a baterías que estén dañadas.** El servicio a las baterías solamente deberá ser efectuado por el fabricante o un agente de servicio autorizado.
3. **Siga las instrucciones para la lubricación y cambio de accesorios.**
4. **No modifique ni intente reparar el aparato ni el paquete de baterías salvo como se indique en las instrucciones para el uso y cuidado.**

Advertencias de seguridad para el taladro atornillador inalámbrico

Instrucciones de seguridad para todas las operaciones

1. **Sujete la herramienta eléctrica por las superficies de agarre aisladas al realizar una operación en la que el accesorio de corte o sujetadores puedan estar en contacto con cables ocultos.** El accesorio de corte o sujetadores que hagan contacto con un cable electrificado pueden electrificar las piezas metálicas expuestas de la herramienta eléctrica, lo cual podría ocasionar una descarga eléctrica al operador.
2. **Asegúrese siempre de que pisa sobre suelo firme. Asegúrese de que no haya nadie debajo cuando utilice la herramienta en lugares altos.**
3. **Sujete la herramienta con firmeza.**
4. **Mantenga las manos alejadas de las piezas giratorias.**
5. **No deje la herramienta funcionando. Ponga la herramienta en marcha únicamente cuando la tenga con usted.**
6. **No toque la broca, la pieza de trabajo o las astillas inmediatamente después de la operación; podrían estar extremadamente calientes y ocasionar quemaduras en la piel.**
7. **Algunos materiales contienen sustancias químicas que pueden ser tóxicas. Evite inhalar polvo y que éste entre en contacto con la piel. Consulte la hoja de seguridad de materiales del proveedor.**
8. **Si la broca no puede ser aflojada aun abriendo las mordazas, utilice tenazas para sacarla.** En este caso, sacar la broca con la mano podría ocasionar una lesión a causa de su borde filoso.
9. **Asegúrese de que no haya cables eléctricos, tubos de agua, tubos de gas, etc. que pudieran representar un peligro en caso de ser dañados por el uso de la herramienta.**

Instrucciones de seguridad cuando se utilicen brocas largas

1. **Nunca opere a una velocidad mayor que la velocidad máxima nominal de la broca.** A velocidades más altas, es probable que la broca se doble si se permite que gire libremente sin tocar la pieza de trabajo, lo que ocasionaría lesiones personales.
2. **Siempre comience a perforar a baja velocidad y con la punta de la broca en contacto con la pieza de trabajo.** A velocidades más altas, es probable que la broca se doble si se permite que gire libremente sin tocar la pieza de trabajo, lo que ocasionaría lesiones personales.
3. **Aplique presión solo en línea directa con la broca y no aplique presión excesiva.** Las brocas podrían doblarse y romperse u ocasionar la pérdida del control, lo que resultaría en lesiones personales.

GUARDE ESTAS INSTRUCCIONES.

⚠️ ADVERTENCIA: NO DEJE que la comodidad o familiaridad con el producto (a base de utilizarlo repetidamente) sustituya la estricta observancia de las normas de seguridad para dicho producto. **EL MAL USO** o el no seguir las normas de seguridad establecidas en este manual de instrucciones puede ocasionar lesiones personales graves.

Símbolos

A continuación se muestran los símbolos utilizados para la herramienta.

V	volts o voltios
— — —	corriente directa o continua
n_0	velocidad sin carga
... /min r /min	revoluciones o alternancias por minuto, frecuencia de rotación
∅	diámetro

Instrucciones importantes de seguridad para el cartucho de batería

1. Antes de utilizar el cartucho de batería, lea todas las instrucciones e indicaciones de precaución en el (1) el cargador de batería, (2) la batería, y (3) el producto con el que se utiliza la batería.
2. No desarme ni modifique el cartucho de batería. Podría ocurrir un incendio, calor excesivo o una explosión.
3. Si el tiempo de operación se ha acortado en exceso, deje de operar de inmediato. Podría correrse el riesgo de sobrecalentamiento, posibles quemaduras e incluso explosión.
4. En caso de que ingresen electrolitos en sus ojos, enjuáguelos bien con agua limpia y consulte de inmediato a un médico. Esto podría ocasionar pérdida de visión.
5. Evite cortocircuitar el cartucho de batería:
 - (1) No toque las terminales con ningún material conductor.
 - (2) Evite guardar el cartucho de batería en un cajón junto con otros objetos metálicos, tales como clavos, monedas, etc.
 - (3) No exponga el cartucho de batería al agua o la lluvia.

Un cortocircuito en la batería puede causar un flujo grande de corriente, sobrecalentamiento, posibles quemaduras e incluso una descompostura.
6. No guarde ni utilice la herramienta y el cartucho de batería en lugares donde la temperatura pueda alcanzar o exceder los 50 °C (122 °F).
7. Nunca incinere el cartucho de batería incluso en el caso de que esté dañado seriamente o ya no sirva en absoluto. El cartucho de batería puede explotar si se tira al fuego.
8. No clave, corte, aplaste, lance o deje caer el cartucho de batería, ni golpee un objeto sólido contra el cartucho de batería. Dicha acción podría resultar en un incendio, calor excesivo o en una explosión.
9. No use una batería dañada.
10. Las baterías de ión de litio están sujetas a los requisitos reglamentarios en materia de bienes peligrosos. Para el transporte comercial, por ej., mediante terceros o agentes de transporte, se deben tomar en cuenta los requisitos especiales relativos al empaque y el etiquetado. Para efectuar los preparativos del artículo que se va a enviar, se requiere consultar a un experto en materiales peligrosos. Si es posible, consulte además otras regulaciones nacionales más detalladas. Pegue o cubra con cinta adhesiva los contactos abiertos y empaque la batería de manera que ésta no pueda moverse dentro del paquete.
11. **Para deshacerse del cartucho de batería, sáquelo de la herramienta y deséchelo en un lugar seguro. Siga las regulaciones locales relacionadas al desecho de las baterías.**
12. **Utilice las baterías únicamente con los productos especificados por Makita.** Instalar las baterías en productos que no cumplan con los requisitos podría ocasionar un incendio, un calentamiento excesivo, una explosión o una fuga de electrolito.
13. **Si no se utiliza la herramienta por un período largo, debe extraerse la batería de la herramienta.**
14. **El cartucho de batería podría absorber calor durante y después de su uso, lo que ocasionaría quemaduras o quemaduras a baja temperatura.** Tenga cuidado con la manipulación de los cartuchos de batería que estén calientes.
15. **No toque el terminal de la herramienta inmediatamente después de su uso, ya que el mismo podría estar lo suficientemente caliente como para provocarle quemaduras.**
16. **No permita que las rebabas, el polvo o la tierra queden atrapados en los terminales, orificios y ranuras del cartucho de batería.** Esto podría ocasionar un desempeño deficiente o descompostura de la herramienta o del cartucho de batería.
17. **No utilice el cartucho de batería cerca de cables eléctricos de alto voltaje, a menos que la herramienta sea compatible con el uso cercano a estos cables eléctricos de alto voltaje.** Esto podría ocasionar una avería o descompostura de la herramienta o del cartucho de batería.
18. **Mantenga la batería alejada de los niños.**

GUARDE ESTAS INSTRUCCIONES.

⚠PRECAUCIÓN: Utilice únicamente baterías originales de Makita. El uso de baterías no originales de Makita, o de baterías alteradas, puede ocasionar que las baterías exploten causando un incendio, lesiones personales y daños. Asimismo, esto invalidará la garantía de Makita para la herramienta y el cargador Makita.

Consejos para alargar al máximo la vida útil de la batería

1. Cargue el cartucho de batería antes de que se descargue completamente. Pare siempre la operación y cargue el cartucho de batería cuando note menos potencia en la herramienta.
2. **No cargue nunca un cartucho de batería que esté completamente cargado.** La sobrecarga acortará la vida de servicio de la batería.

- Cargue el cartucho de batería a una temperatura ambiente de 10 °C - 40 °C (50 °F - 104 °F). Si un cartucho de batería está caliente, déjelo enfriar antes de cargarlo.
- Cuando no utilice el cartucho de batería, sáquelo de la herramienta o del cargador.
- Cargue el cartucho de batería si no va a utilizarlo durante un período prolongado (más de seis meses).

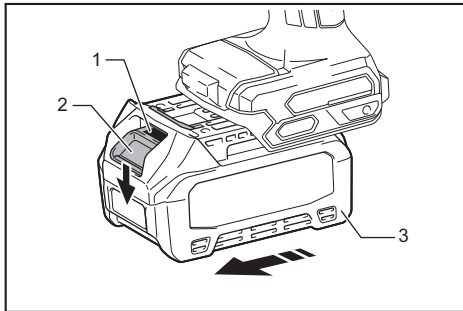
DESCRIPCIÓN DEL FUNCIONAMIENTO

⚠️ PRECAUCIÓN: Asegúrese siempre de que la herramienta esté apagada y el cartucho de batería haya sido extraído antes de realizar cualquier ajuste o comprobación en la herramienta.

Instalación o extracción del cartucho de batería

⚠️ PRECAUCIÓN: Apague siempre la herramienta antes de colocar o quitar el cartucho de batería.

⚠️ PRECAUCIÓN: Sujete la herramienta y el cartucho de la batería con firmeza al colocar o quitar el cartucho de batería. Si no se sujeta con firmeza la herramienta y el cartucho de batería, puede ocasionar que se resbalen de sus manos causando daños a la herramienta y al cartucho de batería, así como lesiones a la persona.



► 1. Indicador rojo 2. Botón 3. Cartucho de batería

Para quitar el cartucho de batería, deslícelo de la herramienta mientras desliza el botón sobre la parte delantera del cartucho.

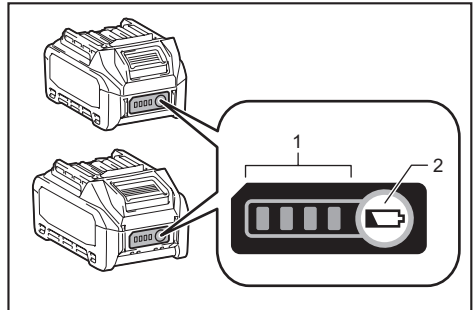
Para colocar el cartucho de batería, alinee la lengüeta sobre el cartucho de batería con la ranura en la carcasa y deslice en su lugar. Inserte por completo hasta que se fije en su lugar con un pequeño clic. Si puede ver el indicador rojo del lado superior del botón, esto indica que no ha quedado fijo por completo.

⚠️ PRECAUCIÓN: Introduzca siempre completamente el cartucho de batería hasta que el indicador rojo no pueda verse. Si no, podría accidentalmente salirse de la herramienta y caer al suelo causando una lesión a usted o alguien a su alrededor.

⚠️ PRECAUCIÓN: No instale el cartucho de batería a la fuerza. Si el cartucho no se desliza al interior fácilmente, se debe a que no está siendo insertado correctamente.

Indicación de la capacidad restante de la batería

Oprima el botón de verificación en el cartucho de la batería para que indique la capacidad restante de la batería. Las luces indicadoras se iluminarán por algunos segundos.



► 1. Luces indicadoras 2. Botón de verificación

Luces indicadoras			Capacidad restante
Iluminadas	Apagadas	Parpadeando	
■ ■ ■ ■			75% a 100%
■ ■ ■ □			50% a 75%
■ ■ □ □			25% a 50%
■ □ □ □			0% a 25%
▬ □ □ □			Cargar la batería.
■ ■ □ □			La batería pudo haber funcionado mal.
□ □ ■ ■	↑ ↓		

NOTA: Dependiendo de las condiciones de uso y la temperatura ambiente, la indicación podrá diferir ligeramente de la capacidad real.

NOTA: La primera luz indicadora (extrema izquierda) parpadeará cuando el sistema de protección de batería esté en funcionamiento.

Sistema de protección para la herramienta/batería

La herramienta está equipada con un sistema de protección para la herramienta/batería. Este sistema corta automáticamente la alimentación para prolongar la vida de la herramienta y la batería. La herramienta se detendrá automáticamente durante la operación si la herramienta o la batería se someten a una de las siguientes condiciones:

Protección contra sobrecarga

Esta protección funciona cuando la herramienta o la batería se están utilizando de una manera que causa que consuma una cantidad de corriente inusualmente alta. En esta situación, apague la herramienta y detenga la aplicación que haya causado que la herramienta se sobrecargara. Luego encienda la herramienta para reiniciarla.

Protección contra sobrecalentamiento

Esta protección funciona y la lámpara parpadea cuando la herramienta o la batería se sobrecalientan. En este caso, espere a que la herramienta y la batería se enfríen antes de volver a encender la herramienta.

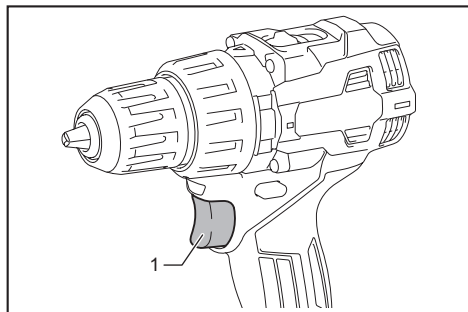
Protección en caso de sobredescarga

Esta protección funciona cuando la capacidad restante de la batería disminuye. En esta situación, extraiga la batería de la herramienta y cárguela.

Accionamiento del interruptor

⚠PRECAUCIÓN: Antes de insertar el cartucho de batería en la herramienta, compruebe siempre y cerciórese de que el gatillo interruptor se acciona debidamente y que vuelve a la posición "OFF" (apagado) cuando lo suelta.

Para poner en marcha la herramienta, simplemente apriete el gatillo interruptor. La velocidad de la herramienta aumenta incrementando la presión en el gatillo. Para detenerla, suelte el gatillo.



► 1. Gatillo interruptor

NOTA: La herramienta se detiene automáticamente si continúa jalando el gatillo interruptor alrededor de 6 minutos.

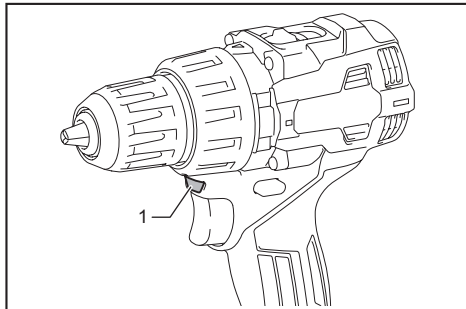
Freno eléctrico

La herramienta está equipada con un freno eléctrico. Si la herramienta falla constantemente en detenerse tras soltar el gatillo interruptor, lleve la herramienta a mantenimiento a un centro de servicio Makita.

Iluminación de la luz delantera

⚠PRECAUCIÓN: No mire a la luz ni vea a la fuente de luz directamente.

Jale el gatillo interruptor para encender la luz. La luz continúa iluminándose mientras se está jalando el gatillo interruptor. La luz se apaga aproximadamente 10 segundos tras haber liberado el gatillo interruptor.



► 1. Luz

NOTA: Cuando la herramienta se sobrecaliente, ésta se detendrá automáticamente y la lámpara comenzará a destellar. En este caso, suelte el gatillo interruptor. La lámpara se apagará en un minuto.

NOTA: Utilice un paño seco para quitar la suciedad de la lente de la lámpara. Tenga cuidado de no rayar la lente de la lámpara ya que la iluminación podría disminuir.

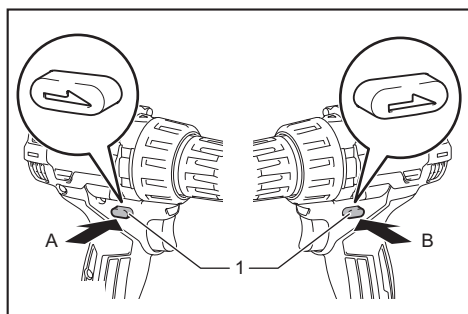
Accionamiento del conmutador de inversión de giro

⚠PRECAUCIÓN: Confirme siempre la dirección de rotación antes de la operación.

⚠PRECAUCIÓN: Utilice el conmutador de inversión solamente después de que la herramienta haya parado completamente. Si cambia la dirección de rotación antes de que la herramienta haya parado podría dañarla.

⚠PRECAUCIÓN: Cuando no esté utilizando la herramienta, ponga siempre la palanca del conmutador de inversión en la posición neutral.

Esta herramienta tiene un conmutador de inversión para cambiar la dirección de rotación. Presione la palanca del conmutador de inversión desde el lado A para una rotación en sentido de las manecillas del reloj o desde el lado B, para una rotación en sentido inverso al de las manecillas del reloj. Cuando la palanca del conmutador de inversión esté en la posición neutral, no se podrá jalar el gatillo conmutador.



► 1. Palanca del interruptor de inversión

Cambio de velocidad

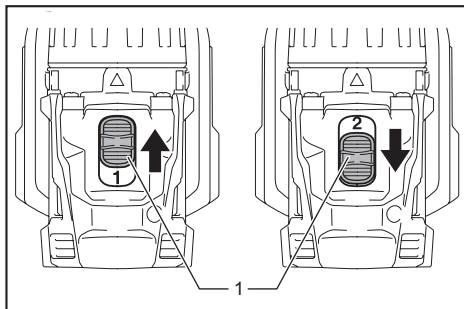
⚠PRECAUCIÓN: Coloque siempre la palanca de cambio de velocidad exactamente en la posición correcta. Si usted utiliza la herramienta con la palanca de cambio de velocidad puesta a medias entre la posición “1” y “2”, la herramienta puede dañarse.

⚠PRECAUCIÓN: No utilice la palanca de cambio de velocidad mientras la herramienta está en marcha. La herramienta puede dañarse.

Número desplegado	Velocidad	Torsión	Operación aplicable
1	Baja	Alta	Operación de carga pesada
2	Alta	Baja	Operación de carga ligera

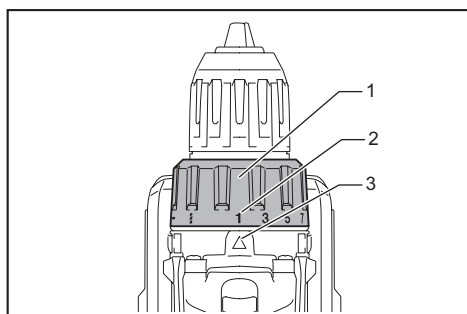
Para cambiar la velocidad, apague primero la herramienta. Presione la palanca de cambio de velocidad para desplegar “2” para velocidad alta o “1” para velocidad baja pero alta torsión. Asegúrese de que la palanca de cambio de velocidad esté en la posición correcta antes de la operación.

Si la velocidad de la herramienta desciende extremadamente durante la operación con el “2” desplegado, presione la palanca para desplegar “1” y reinicie la operación.



► 1. Palanca de cambio de velocidad

Ajuste de la torsión de apriete



► 1. Anillo de ajuste 2. Graduación 3. Flecha

La torsión de apriete puede ajustarse en 22 niveles girando el anillo de ajuste. Alinee las graduaciones con la flecha en el cuerpo de la herramienta. Puede conseguir una fijación de torsión mínima en 1 y una torsión máxima en la marca 21.

El embrague se deslizará entre los diferentes niveles de torsión cuando esté ajustado en los números 1 a 21. El embrague no funciona en la marca 22.

Antes de iniciar la operación, coloque un tornillo de prueba en su material o en un pedazo del mismo material para determinar qué nivel de torsión se requiere para una aplicación en particular.

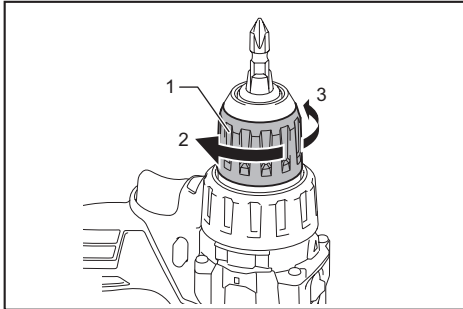
La siguiente es una guía aproximada de la relación entre el tamaño del tornillo y la graduación.

Graduación		1	2	3	4	5	6	7	8	9	10	11	12	13	14	15	16	17	18	19	20	21
Tornillo de máquina		4 mm					5 mm					6 mm										
Tornillo para madera	Madera blanda (Ej. pino)	-					φ3,5 mm x 22 mm					φ4,1 mm x 38 mm					-					
	Madera dura (Ej. lauan)	-					φ3,5 mm x 22 mm					φ4,1 mm x 38 mm					-					

MONTAJE

⚠PRECAUCIÓN: Asegúrese siempre de que la herramienta esté apagada y el cartucho de batería haya sido extraído antes de realizar cualquier trabajo en la misma.

Instalación o extracción de la punta de destornillador/broca de taladro



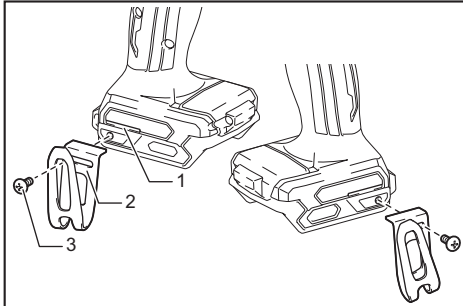
► 1. Mandril 2. Cerrar 3. Abrir

Gire el mandril en sentido inverso al de las manecillas del reloj para abrir las garras de la prensa de sujeción. Inserte la punta de destornillador/broca de taladro completamente en la prensa de sujeción. Gire el mandril en sentido de las manecillas del reloj para apretar la prensa de sujeción. Para extraer la punta de destornillador/broca de taladro, gire el mandril en sentido inverso al de las manecillas del reloj.

Instalación del gancho

⚠PRECAUCIÓN: Cuando instale el gancho, siempre asegúrelo firmemente con el tornillo. De lo contrario, el gancho podría desprenderse de la herramienta y ocasionar lesiones personales.

⚠PRECAUCIÓN: Utilice las partes para colgado/montaje para sus propósitos pretendidos solamente. El uso para un propósito no pretendido podría ocasionar un accidente o una lesión personal.



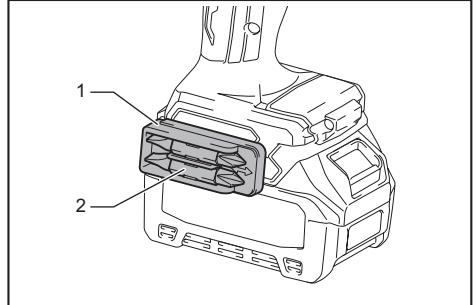
► 1. Ranura 2. Gancho 3. Tornillo

El gancho resulta útil para colgar temporalmente la herramienta. Se puede instalar en cualquiera de los lados de la herramienta. Para instalar el gancho, insértele en una ranura de la carcasa de la herramienta de cualquiera de los lados y después sujételo con un tornillo. Para quitarlo, afloje el tornillo y después sáquelo.

⚠AVISO: Cuando cuelgue la herramienta de su cinturón mediante el gancho, retire la punta para atornillar/broca y la empuñadura lateral.

Instalación del portabrocas

Accesorio opcional



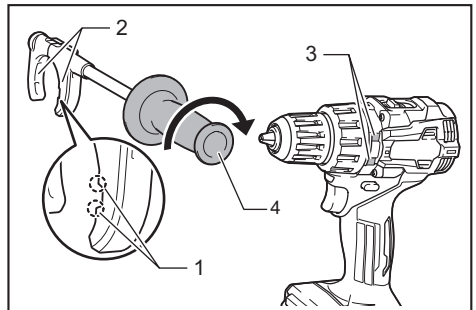
► 1. Portabrocas 2. Punta de destornillador

Coloque el portabrocas en la protuberancia en la base de la herramienta o ya sea del lado derecho o izquierdo y asegúrelo con un tornillo.

Cuando no utilice la punta de destornillador, manténgala dentro del portabrocas. Las puntas de destornillador de 45 mm de largo (1-3/4") se pueden guardar ahí.

Instalación de la empuñadura lateral (mango auxiliar)

Accesorio opcional



► 1. Protuberancia 2. Brazo 3. Cavidad
4. Empuñadura

Inserte la empuñadura lateral de modo que las protuberancias en el brazo queden entre las cavidades en la herramienta. Luego apriete la empuñadura girándola en el sentido de las manecillas del reloj.

Dependiendo de las operaciones, usted puede instalar la empuñadura lateral en el lado derecho o izquierdo de la herramienta.

OPERACIÓN

⚠PRECAUCIÓN: Siempre inserte completamente el cartucho de batería hasta que quede asegurado en su lugar. Si puede ver el indicador rojo del lado superior del botón, esto indica que no ha quedado completamente asegurado. Insértelo por completo hasta que el indicador rojo no pueda verse. De lo contrario, podría salirse accidentalmente de la herramienta y ocasionarle lesiones a usted o a alguien a su alrededor.

⚠PRECAUCIÓN: Cuando la velocidad baje demasiado, reduzca la carga o detenga la herramienta para evitar daños en ésta.

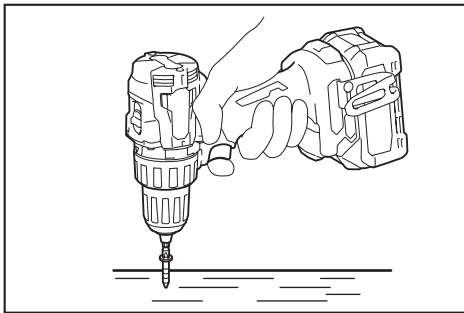
Sujete firmemente la herramienta con una mano en la agarradera y otra en la parte inferior del cartucho de batería para controlar la acción de torsión.

Operación de atornillado

⚠PRECAUCIÓN: Coloque el anillo de ajuste en el nivel de torsión apropiado para su trabajo.

⚠PRECAUCIÓN: Asegúrese de que la punta de destornillador se inserte exactamente en la cabeza del tornillo, de lo contrario el tornillo y/o la punta de destornillador pueden dañarse.

Coloque la punta de la punta de destornillador sobre la cabeza del tornillo y aplique presión en la herramienta. Haga funcionar la herramienta lentamente y después aumente la velocidad gradualmente. Suelte el gatillo interruptor en cuanto el embrague patine.



NOTA: Cuando atornille en madera, taladre primero un orificio de 2/3 del diámetro del tornillo. Esto facilita la operación y evita que la pieza de trabajo se rompa en dos.

Operación de taladrado

Primero, gire el anillo de ajuste de tal forma que la flecha apunte hacia la marca . Después proceda como sigue.

Taladrado en madera

Cuando taladre en madera, podrá obtener mejores resultados si utiliza brocas para madera equipadas con un tornillo guía. El tornillo guía facilita el taladrado jalando la broca de taladro hacia el interior de la pieza de trabajo.

Taladrado en metal

Para evitar que la broca de taladro resbale una vez que comience a hacer el orificio, haga un surco con punzón y un martillo en el punto a taladrar. Coloque la punta de la broca de taladro en el surco y comience a taladrar. Utilice un lubricante para corte cuando taladre metales. Salvo en el caso de hierro y bronce, los cuales deberán ser taladrados en seco.

⚠PRECAUCIÓN: Ejercer una presión excesiva sobre la herramienta no hará que consiga taladrar más rápido. De hecho, una presión excesiva sólo logrará dañar la punta de la broca de taladro, reducir el desempeño y acortar la vida útil de la herramienta.

⚠PRECAUCIÓN: Sujete firmemente la herramienta y tenga cuidado cuando la broca de taladro comience a penetrar en la pieza de trabajo. La fuerza ejercida en la herramienta/broca de taladro al momento de la penetración es enorme.

⚠PRECAUCIÓN: Para extraer una broca de taladro atorada, basta simplemente con ajustar el interruptor de inversión en rotación inversa para hacerla retroceder. Sin embargo, la herramienta puede retroceder bruscamente si no la sujeta con firmeza.

⚠PRECAUCIÓN: Asegure siempre las piezas de trabajo con un tornillo de banco o dispositivo de sujeción similar.

⚠PRECAUCIÓN: Si utiliza la herramienta de forma continua hasta que el cartucho de batería se descargue, deje descansar la herramienta durante 15 minutos antes de proceder con una batería llena.

MANTENIMIENTO

⚠PRECAUCIÓN: Asegúrese siempre de que la herramienta esté apagada y el cartucho de batería extraído antes de intentar realizar una inspección o mantenimiento.

AVISO: Nunca use gasolina, bencina, diluyente (tíner), alcohol o sustancias similares. Puede que esto ocasione grietas o descoloramiento.

Para mantener la SEGURIDAD y FIABILIDAD del producto, las reparaciones, y cualquier otra tarea de mantenimiento o ajuste deberán ser realizadas en centros de servicio autorizados o de fábrica Makita, empleando siempre repuestos Makita.

ACCESORIOS OPCIONALES

⚠PRECAUCIÓN: Estos accesorios o aditamentos están recomendados para utilizarse con su herramienta Makita especificada en este manual. El empleo de cualquier otro accesorio o aditamento puede conllevar el riesgo de lesiones personales. Utilice los accesorios o aditamentos solamente para su fin establecido.

Si necesita cualquier ayuda para más detalles en relación con estos accesorios, pregunte a su centro de servicio local Makita.

- Brocas de taladro
- Puntas de destornillador
- Portabrocas
- Gancho
- Empuñadura lateral
- Batería y cargador originales de Makita

NOTA: Algunos de los artículos en la lista pueden incluirse en el paquete de la herramienta como accesorios estándar. Éstos pueden variar de país a país.

GARANTÍA LIMITADA DE MAKITA

Ésta Garantía no aplica para México

Consulte la hoja de la garantía anexa para ver los términos más vigentes de la garantía aplicable a este producto. En caso de no disponer de esta hoja de garantía anexa, consulte los detalles sobre la garantía descritos en el sitio web de su país respectivo indicado a continuación.

Estados Unidos de América: www.makitatools.com

Canadá: www.makita.ca

Otros países: www.makita.com

< USA only >

WARNING

Some dust created by power sanding, sawing, grinding, drilling, and other construction activities contains chemicals known to the State of California to cause cancer, birth defects or other reproductive harm. Some examples of these chemicals are:

- lead from lead-based paints,
- crystalline silica from bricks and cement and other masonry products, and
- arsenic and chromium from chemically-treated lumber.

Your risk from these exposures varies, depending on how often you do this type of work. To reduce your exposure to these chemicals: work in a well ventilated area, and work with approved safety equipment, such as those dust masks that are specially designed to filter out microscopic particles.

< Sólo en los Estados Unidos >

ADVERTENCIA

Algunos polvos creados por el lijado, aserrado, esmerilado, taladrado y otras actividades de la construcción contienen sustancias químicas reconocidas por el Estado de California como causantes de cáncer, defectos de nacimiento y otros peligros de reproducción. Algunos ejemplos de estos productos químicos son:

- plomo de pinturas a base de plomo,
- sílice cristalino de ladrillos y cemento y otros productos de albañilería, y
- arsénico y cromo de maderas tratadas químicamente.

El riesgo al que se expone varía, dependiendo de la frecuencia con la que realice este tipo de trabajo. Para reducir la exposición a estos productos químicos: trabaje en un área bien ventilada y póngase el equipo de seguridad indicado, tal como las máscaras contra polvo que están especialmente diseñadas para filtrar partículas microscópicas.

Makita Corporation

3-11-8, Sumiyoshi-cho,
Anjo, Aichi 446-8502 Japan

www.makita.com

885844-944
GFD02-1
EN, ESMX
20200914