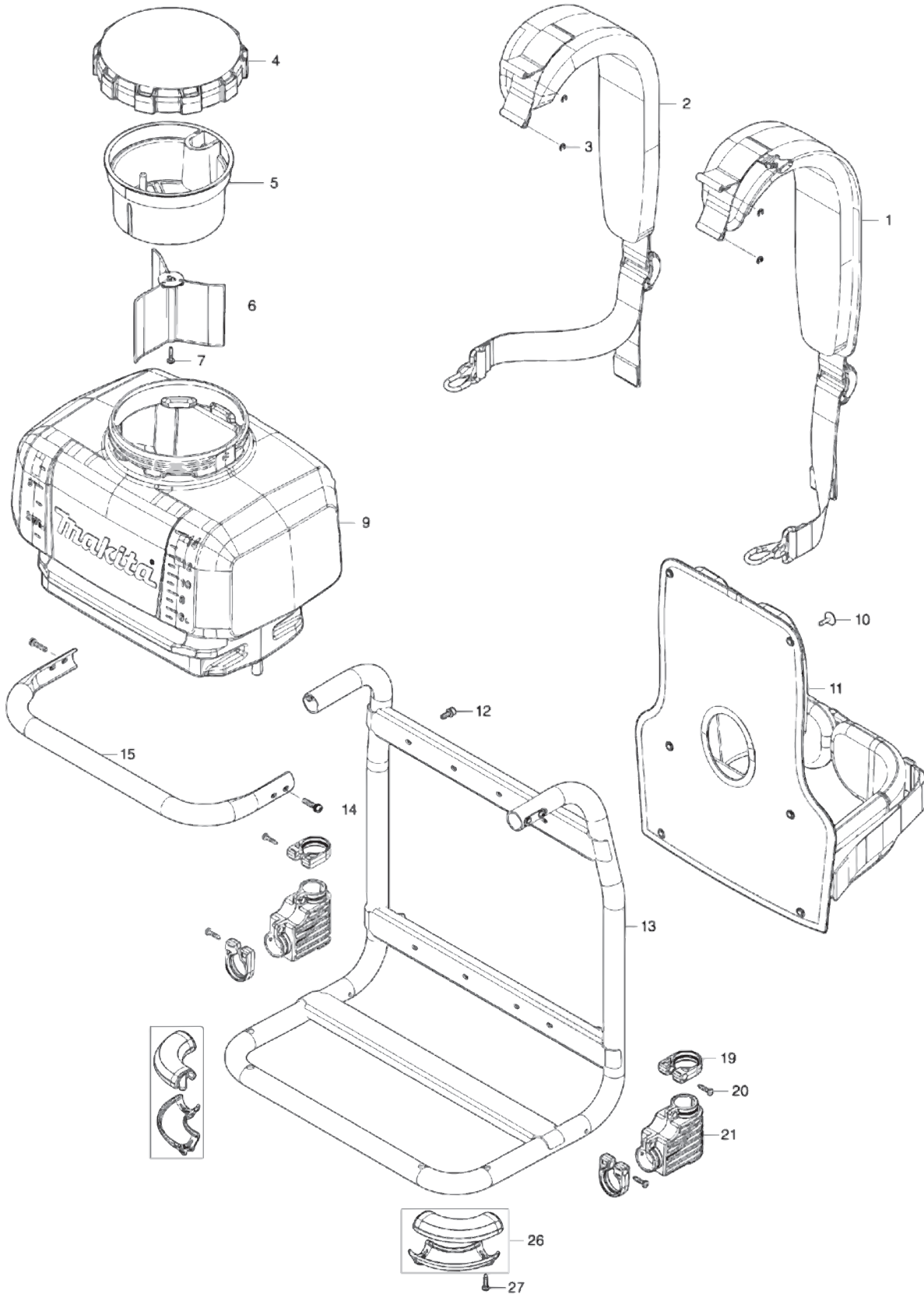


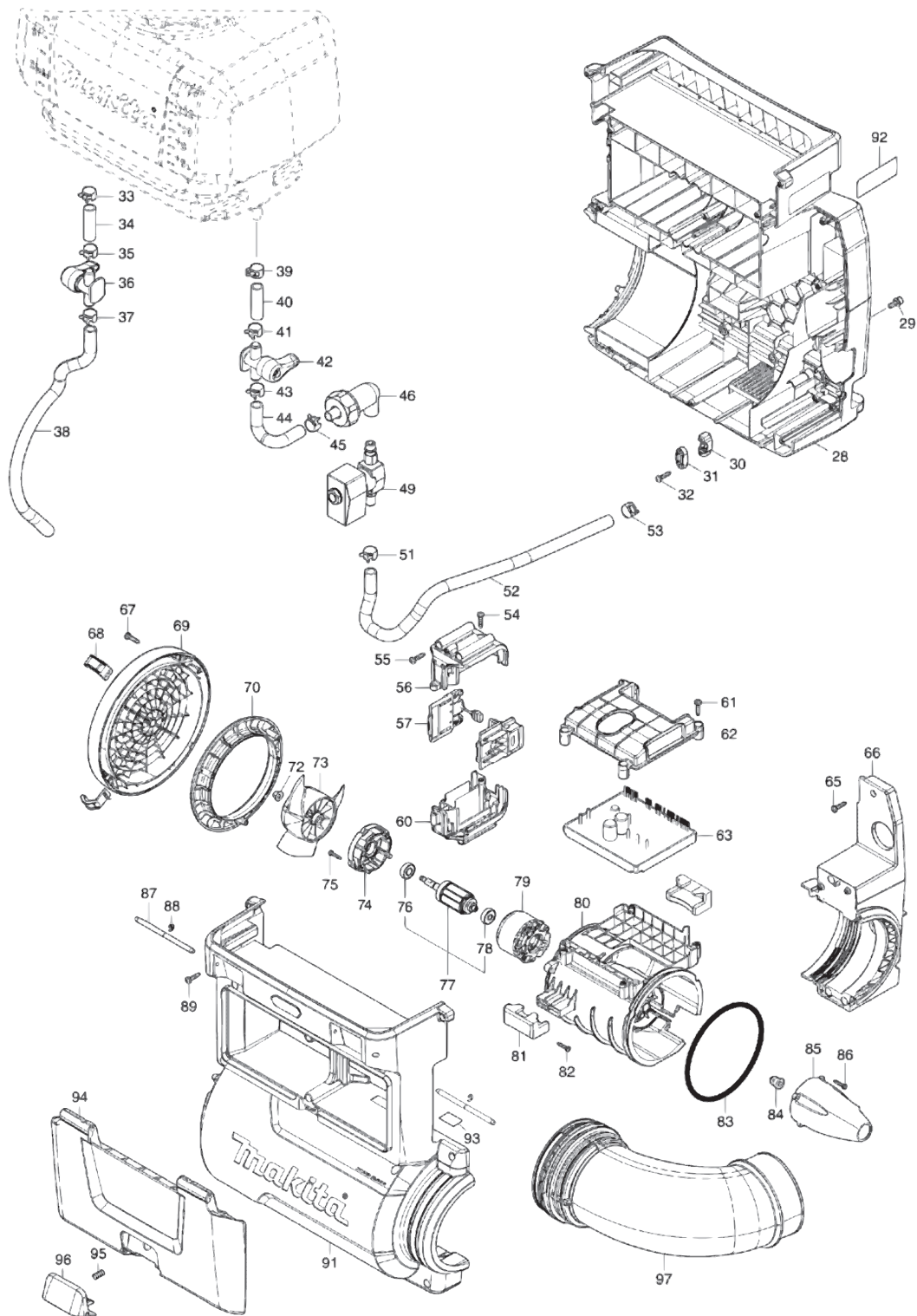


**GMP01**



Products with multiple versions are listed in subsiding order with the newest version on top not indented.

Section	Fig. No.	Part No.	Description	GMP01	Tech Bulletin	Notes
1	1	162C47-1	BAND R	1		
1	2	162C46-3	BAND L	1		
1	3	961011-9	STOP RING E-4	4		
1	4	141764-8	TANK CAP COMPLETE	1		
1	5	413M64-7	TANK STRAINER	1		
1	6	413M65-5	STRAINER FIN	1		
1	7	266326-2	TAPPING SCREW 4X18	1		
1	9	136980-5	TANK ASS'Y	1		
1		422978-1	UMBRELLA CHECK VALVE	1	Inc with 9	Not Pictured
1		256A28-4	ROD 5	4	Inc with 9	Not Pictured
1	10	252274-1	TAPPING SCREW 4X18 WITH W	6		
1	11	162B58-0	CUSHION COMPLETE	1		
1	12	922218-2	H.S.H.BOLT M5X14 WITH WR	8		
1	13	327A95-7	PIPE FRAME A	1		
1	14	265A08-9	PAN HEAD SCREW M5X20	4		
1	15	327A96-5	PIPE FRAME B	1		
1	19	413K11-6	RUBBER CLAMP	4		
1	20	266326-2	TAPPING SCREW 4X18	4		
1	21	422977-3	FOOT HOUSING RUBBER	2		
1	26	183X85-6	FOOT HOUSING SET	2		
1	27	266326-2	TAPPING SCREW 4X18	4		

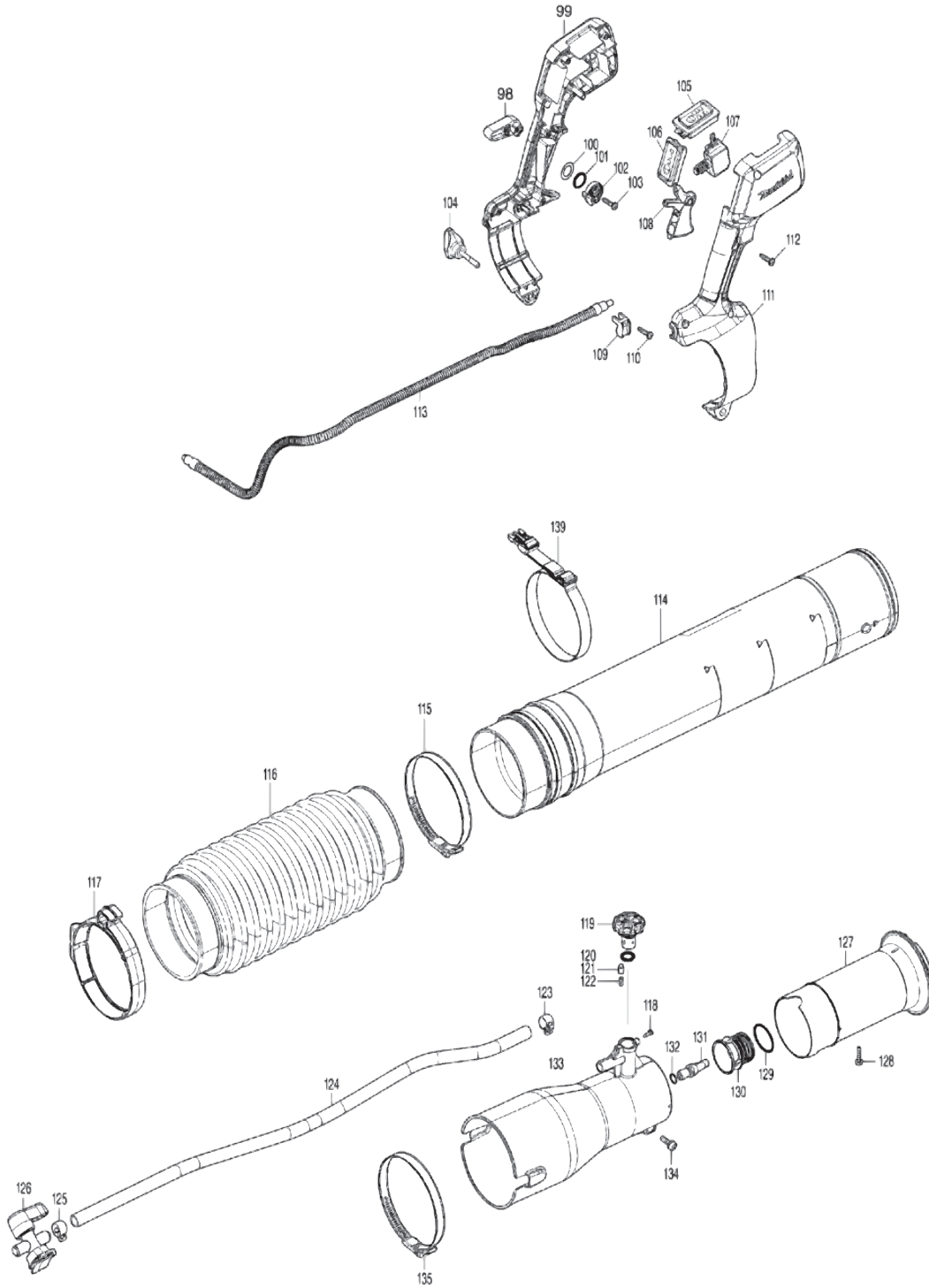


Products with multiple versions are listed in subsiding order with the newest version on top not indented.

Section	Fig. No.	Part No.	Description	GMP01	Tech Bulletin	Notes
2	28	141M68-6	LOWER HOUSING COMPLETE A	1		
2	29	922218-2	H.S.H.BOLT M5X14 WITH WR	2		
2	30	687051-6	STRAIN RELIEF	1		
2	31	687124-5	STRAIN RELIEF	1		
2	32	266326-2	TAPPING SCREW 4X18	2		
2	33	282023-2	HOSE CLAMP 14	1		
2	34	422981-2	TUBE 10-45	1		
2	35	282023-2	HOSE CLAMP 14	1		
2	36	122D52-6	COCK ASSEMBLY A	1		
2		266326-2	TAPPING SCREW 4X18	1	Inc with 36	Not Pictured
2		457675-0	COCK LEVER	1	Inc with 36	Not Pictured
2	37	282023-2	HOSE CLAMP 14	1		
2	38	422982-0	TUBE 10-370	1		
2	39	282023-2	HOSE CLAMP 14	1		
2	40	422981-2	TUBE 10-45	1		
2	41	282023-2	HOSE CLAMP 14	1		
2	42	122D52-6	COCK ASSEMBLY A	1		
2		266326-2	TAPPING SCREW 4X18	1	Inc with 42	Not Pictured
2		457675-0	COCK LEVER	1	Inc with 42	Not Pictured
2	43	282023-2	HOSE CLAMP 14	1		
2	44	422980-4	TUBE 10-100	1		
2	45	282023-2	HOSE CLAMP 14	1		
2	46	122E16-6	STRAINER ASSEMBLY	1		
2		413M62-1	STRAINER	1	Inc with 46	Not Pictured
2	49	136985-5	SOLENOID VALVE ASS'Y	1		
2		213063-9	O RING 10	1	Inc with 49	Not Pictured
2	51	282023-2	HOSE CLAMP 14	1		
2	52	422983-8	TUBE 10-500	1		
2	53	282023-2	HOSE CLAMP 14	1		
2	54	266326-2	TAPPING SCREW 4X18	2		
2	55	266326-2	TAPPING SCREW 4X18	4		
2	56	183Y74-7	TERMINAL BOX SET	1	Inc 60	
2		263005-3	RUBBER PIN 6	4	Inc with 56	Not Pictured
2	57	632P65-6	TERMINAL UNIT	2		

Products with multiple versions are listed in subsiding order with the newest version on top not indented.

Section	Fig. No.	Part No.	Description	GMP01	Tech Bulletin	Notes
2	60	183Y74-7	TERMINAL BOX SET	1	Inc 56	
2		263005-3	RUBBER PIN 6	4	Inc with 60	Not Pictured
2	61	266326-2	TAPPING SCREW 4X18	4		
2	62	413M52-4	CONTROLLER CASE COVER	1		
2	63	620K76-3	CONTROLLER	1		
2	65	266326-2	TAPPING SCREW 4X18	4		
2	66	413M43-5	ELBOW SUPPORT	1		
2	67	266326-2	TAPPING SCREW 4X18	4		
2	68	413M58-2	CLAMP	2		
2	69	413G61-7	REAR COVER	1		
2	70	413G72-2	FAN GUIDE	1		
2	72	252286-4	COLLARED HEX.LOCK NUT M5-8	1		
2	73	240177-1	FAN 110	1		
2	74	413G67-5	MOTOR HOUSING COVER	1		
2	75	266130-9	TAPPING SCREW BIND PT 3X16	4		
2	76	210040-2	BALL BEARING 698LLU	1		
2	77	519639-3	ROTOR ASS'Y	1	Inc 76, 78	
2	78	210022-4	BALL BEARING 626DDW	1		
2	79	629C09-7	STATOR	1		
2	80	413M44-3	MOTOR HOUSING	1		
2	81	422877-7	RUBBER CUSHION	2		
2	82	266130-9	TAPPING SCREW BIND PT 3X16	3		
2	83	424721-4	RUBBER RING 115	1		
2	84	422879-3	GROMMET	1		
2	85	413G64-1	CAP	1		
2	86	266130-9	TAPPING SCREW BIND PT 3X16	3		
2	87	256938-9	ROD 5	2		
2	88	961011-9	STOP RING E-4	2		
2	89	266326-2	TAPPING SCREW 4X18	12		
2	91	136912-2	UPPER HOUSING ASSEMBLY	1		
2	95	231240-1	COMPRESSION SPRING 7	1		
2	96	413M55-8	LOCK LEVER	1		
2	97	413M51-6	ELBOW	1		



Products with multiple versions are listed in subsiding order with the newest version on top not indented.

Section	Fig. No.	Part No.	Description	GMP01	Tech Bulletin	Notes
3	98	413G66-7	CONTROL LEVER	1		
3	99	183X86-4	LEVER CASE SET	1	Inc 111	
3	C10	252103-8	HEX. LOCK NUT M5-8	1	Inc w/ 99	Not Pictured
3	100	253798-0	FLAT WASHER 13	1		
3	101	213154-6	O RING 14	1		
3	102	412754-1	LINK	1		
3	103	266326-2	TAPPING SCREW 4X18	1		
3	104	265C61-7	THUMB SCREW M5X35	1		
3	105	620L36-1	INDICATION CIRCUIT COMPLETE	1		
3	106	620L35-3	SWITCH CIRCUIT COMPLETE	1		
3		136982-1	SWITCH PLATE ASS'Y	1		
3		266490-9	TAPPING SCREW PT 2X6	3		
3	107	651492-2	SWITCH C3JR-1A-PAXD3	1		
3	108	413G68-3	SWITCH LEVER	1		
3	109	687260-7	STRAIN RELIEF	1		
3	110	266326-2	TAPPING SCREW 4X18	1		
3	111	183X86-4	LEVER CASE SET	1	Inc 99	
3		252103-8	HEX. LOCK NUT M5-8	1	Inc w/ 111	Not Pictured
3	112	266326-2	TAPPING SCREW 4X18	6		
3	113	699221-5	POWER SUPPLY CORD UNIT	1		
3	114	162B56-4	SWIVEL PIPE COMPLETE	1		
3	115	281040-9	HOSE CLAMP 110	1		
3	116	413M50-8	FLEXIBLE PIPE 100	1		
3	117	122F35-8	HOSE CLAMP 110 ASSEMBLY	1		
3		252103-8	HEX. LOCK NUT M5-8	1	Inc w/ 117	Not Pictured
3		911258-5	PAN HEAD SCREW M5X35	1	Inc w/ 117	Not Pictured
3	118	266007-8	TAPPING SCREW BIND PT 3X10	1		
3	119	453505-3	NOZZLE CAP	1		
3	120	213686-3	O-RING 12	1		
3	121	268288-0	PIN 5.5	1		
3	122	234244-2	COMPRESSION SPRING 3	1		
3	123	282023-2	HOSE CLAMP 14	1		
3	124	422984-6	TUBE 10-750	1		
3	125	282023-2	HOSE CLAMP 14	1		



Products with multiple versions are listed in subsiding order with the newest version on top not indented.

Section	Fig. No.	Part No.	Description	GMP01	Tech Bulletin	Notes
3	126	122D53-4	COCK ASSEMBLY B	1		
3		266326-2	TAPPING SCREW 4X18	1	Inc w/ 126	Not Pictured
3		457675-0	COCK LEVER	1	Inc w/ 126	Not Pictured
3	127	413M66-3	TOP ADAPTER	1		
3	128	266045-0	TAPPING SCREW 4X20	1		
3	129	213437-4	O RING 28	1		
3	130	413M59-0	SLEEVE 23	1		
3	131	327A93-1	NOZZLE 4.5	1		
3	132	213647-3	O-RING 9	1		
3	133	141M72-5	NOZZLE ADAPTER COMPLETE	1		
3	134	911228-4	PAN HEAD SCREW M5X18	1		
3	135	281040-9	HOSE CLAMP 110	1		
3	139	162B60-3	BAND B COMPLETE	1		
3	A01	327C46-2	NOZZLE 0.5	1		
3	A02	453506-1	DIFFUSION COVER	1		
3	A03	781006-4	WRENCH 13	1		