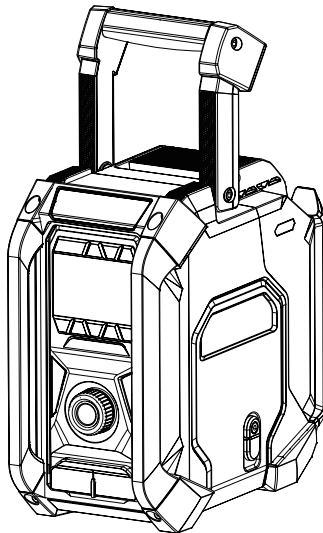
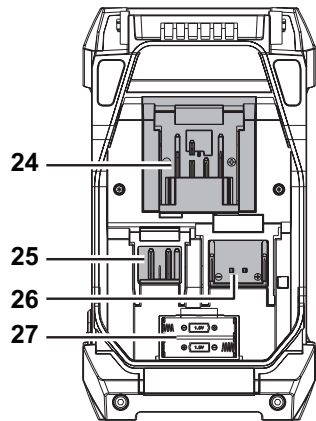
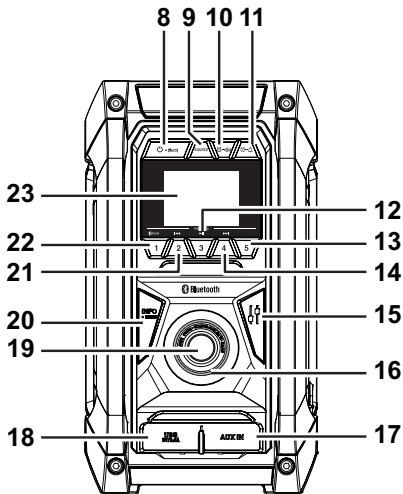
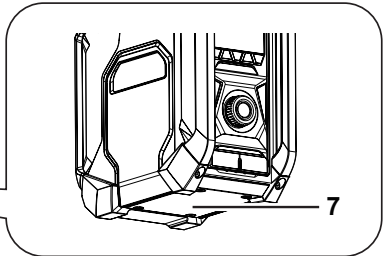
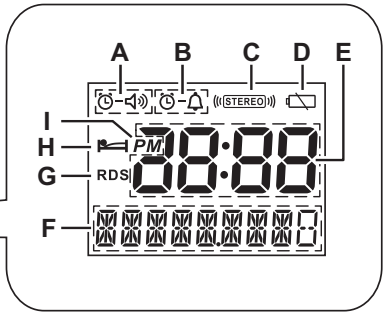
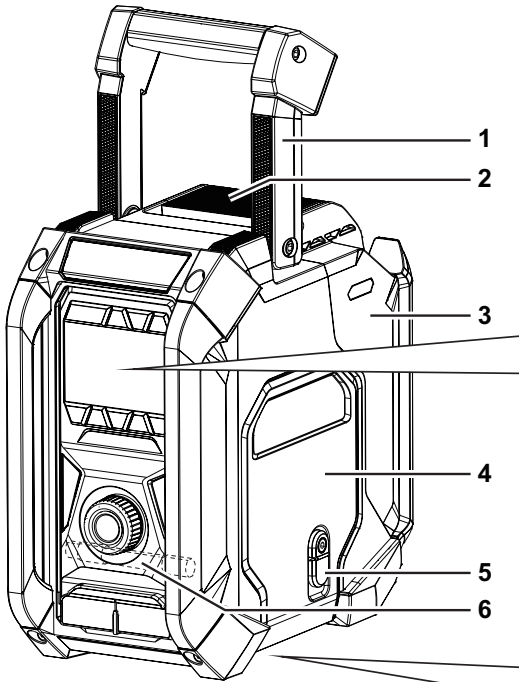


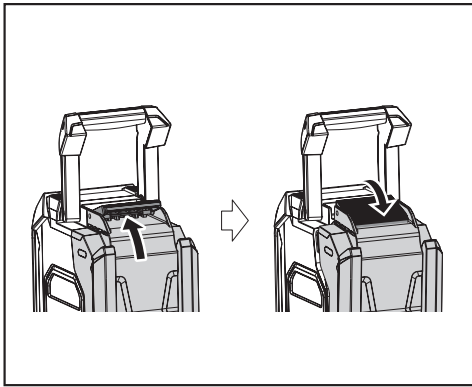


| | | | |
|------|------------------|-------------------------|----|
| EN | Job Site Radio | Instruction manual | 4 |
| ESMX | Radio de Trabajo | Manual de instrucciones | 15 |

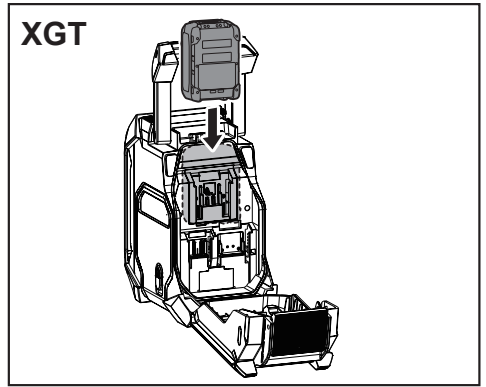
GRM03



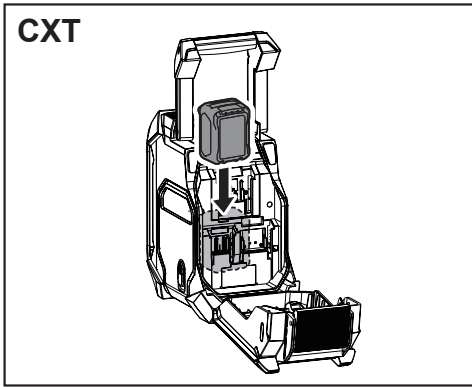




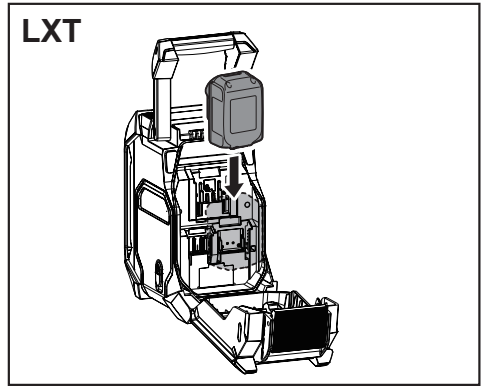
2



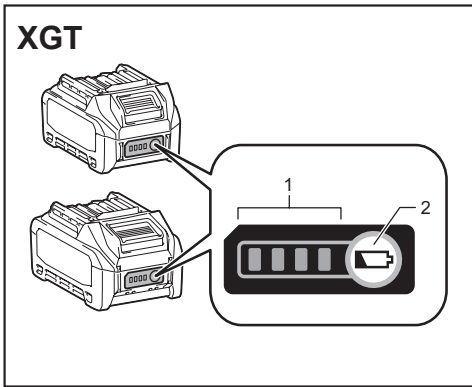
3



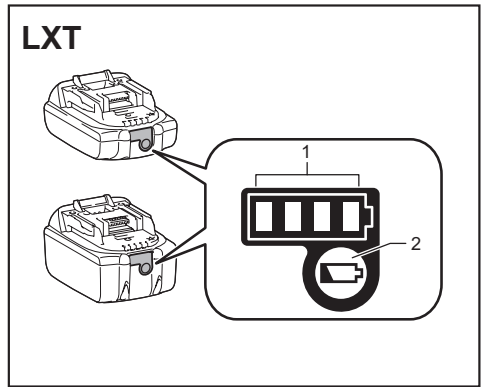
4



5

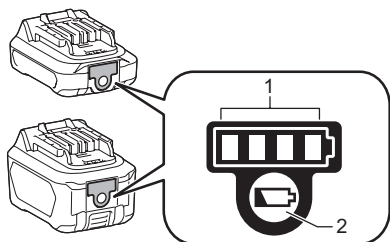


6



7

CXT



8

ENGLISH

(Original Instruction)

EXPLANATION OF GENERAL VIEW (Fig. 1)

1. Handle/Built-in antenna (FM)
2. Battery compartment locker
3. Battery compartment cover (covering battery cartridge)
4. Speaker
5. DC IN socket
6. Built-in antenna (AM)
7. Subwoofer
8. Power/Sleep timer button
9. Source button
10. Radio alarm button
11. Buzzer alarm button
12. Preset 3/Play/Pause button
13. Preset 5 button
14. Preset 4/Next track button
15. EQ control button
16. EQ mode LED indicator
17. AUX IN socket
18. USB power supply port
19. Volume/Tuning control/Select knob
20. Menu/Info button
21. Preset 2/Previous track button
22. Preset 1/Bluetooth pairing button
23. LCD display
24. XGT Battery Terminal
25. CXT Battery Terminal
26. LXT Battery Terminal
27. Back up batteries compartment

LCD DISPLAY

- A. Radio alarm
- B. Buzzer alarm
- C. Stereo symbol
- D. Low battery indicator
- E. Clock
- F. Frequency
- G. RDS (Radio data system)
- H. Sleep timer icon
- I. PM for clock

SYMBOLS

The following show the symbols used for the equipment. Be sure that you understand their meaning before use.



Read instruction manual.

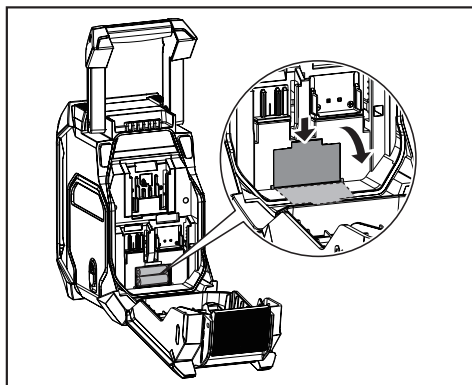
IMPORTANT SAFETY INSTRUCTIONS

⚠ WARNING:

When using electric tools, basic safety precautions should always be followed to reduce the risk of fire, electric shock, and personal injury, including the following:

1. Read this instruction manual and the charger instruction manual carefully before use.
2. Clean only with dry cloth.
3. Do not install near any heat sources such as radiators, heat registers, stoves, or other apparatus (including amplifiers) that produce heat.
4. Only use attachments/accessories specified by the manufacturer.
5. Unplug this apparatus during lightning storms or when unused for long periods of time.

9



6. A battery operated radio with integral batteries or a separate battery pack must be recharged only with the specified charger for the battery. A charger that may be suitable for one type of battery may create a risk of fire when used with another battery.
7. Use battery operated radio only with specifically designated battery packs. Use of any other batteries may create a risk of fire.
8. When battery pack is not in use, keep it away from other metal objects like: paper clips, coins, keys, nails, screws, or other small metal objects that can make a connection from one terminal to another. Shorting the battery terminals together may cause sparks, burns, or a fire.
9. Avoid body contact with grounded surfaces such as pipes, radiators, ranges and refrigerators. There is an increased risk of electric shock if your body is grounded.
10. Under abusive conditions, liquid may be ejected from the battery; avoid contact. If contact accidentally occurs, flush with water. If liquid contacts eyes, additionally seek medical help. Liquid ejected from the battery may cause irritation or burns.
11. Do not use a battery pack or tool that is damaged or modified. Damaged or modified batteries may exhibit unpredictable behaviour resulting in fire, explosion or risk of injury.
12. Do not expose a battery pack or tool to fire or excessive temperature. Exposure to fire or temperature above 130°C (266°F) may cause explosion.
13. Follow all charging instructions and do not charge the battery pack or tool outside the temperature range specified in the instructions. Charging improperly or at temperatures outside the specified range may damage the battery and increase the risk of fire.
14. The MAINS plug is used as the disconnect device, and it shall remain readily operable.
15. Do not use the product at a high volume for any extended period. To avoid hearing damage, use the product at moderate volume level.
16. (For products with LCD display only) LCD displays include liquid which may cause irritation and poisoning. If the liquid enters the eyes, mouth or skin, rinse it with water and call a doctor.
17. Do not expose the product to rain or wet conditions. Water entering the product will increase the risk of electric shock.
18. This product is not intended for use by persons (including children) with reduced physical, sensory or mental capabilities, or lack of experience and knowledge, unless they have been given supervision or instruction concerning use of the product by a person responsible for their safety. Children should

be supervised to ensure that they do not play with the product. Store the product out of the reach of children.

SAVE THESE INSTRUCTIONS

SPECIFIC SAFETY RULES FOR BATTERY CARTRIDGE

1. Before using battery cartridge, read all instructions and cautionary markings on (1) battery charger, (2) battery, and (3) product using battery.
2. Do not disassemble battery cartridge.
3. If operating time has become excessively shorter, stop operating immediately. It may result in a risk of overheating, possible burns and even an explosion.
4. If electrolyte gets into your eyes, rinse them out with clear water and seek medical attention right away. It may result in loss of your eyesight.
5. Do not short the battery cartridge:
 - (1) Do not touch the terminals with any conductive material.
 - (2) Avoid storing battery cartridge in a container with other metal objects such as nails, coins, etc.
 - (3) Do not expose battery cartridge to water or rain. A battery short can cause a large current flow, overheating, possible burns and even a breakdown.
6. Do not store and use the tool and battery cartridge in locations where the temperature may reach or exceed 50°C (122°F).
7. Do not incinerate the battery cartridge even if it is severely damaged or is completely worn out. The battery cartridge can explode in a fire.
8. Be careful not to drop or strike battery.
9. Do not use a damaged battery.
10. To avoid risk, the manual of replaceable the battery should be read before use. And the max discharging current of the battery should be greater than or equal to 8A.
11. The contained lithium-ion-batteries are subject to the Dangerous Goods Legislation requirements. For commercial transports e.g. by third parties, forwarding agents, special requirement on packaging and labeling must be observed.
For preparation of the item being shipped, consulting an expert for hazardous material is required. Please also observe possibly more detailed national regulations.
Tape or mask off open contacts and pack up the battery in such a manner that it cannot move around in the packaging.
12. Follow your local regulations relating to disposal of battery.

13. Use the batteries only with the products specified by Makita. Installing the batteries to non-compliant products may result in a fire, excessive heat, explosion, or leak of electrolyte.
14. If the tool is not used for a long period of time, the battery must be removed from the tool.
15. Do not allow chips, dust, or soil stuck into the terminals, holes, and grooves of the battery cartridge. It may result in poor performance or breakdown of the tool or battery cartridge.
16. Keep the battery away from children.

⚠ CAUTION:

- **Danger of explosion if battery is incorrectly replaced.**
- **Replace only with the same or equivalent type.**
- **Only use genuine Makita batteries. Use of non-genuine Makita batteries, or batteries that have been altered, may result in the battery bursting causing fires, personal injury and damage. It will also void the Makita warranty for the Makita tool and charger.**

Tips for maintaining maximum battery life

1. Charge the battery cartridge before completely discharged. Always stop tool operation and charge the battery cartridge when you notice less tool power.
2. Never recharge a fully charged battery cartridge. Overcharging shortens the battery service life.
3. Charge the battery cartridge with room temperature at 10°C - 40°C (50°F - 104°F). Let a hot battery cartridge cool down before charging it.
4. When not using the battery cartridge, remove it from the tool or the charger.
5. Charge the battery cartridge if you do not use it for a long period (more than six months).

For United States:

FC **Cautions to the user**

The changes or modifications not expressly approved by the party responsible for compliance could void the user's authority to operate the equipment.

RF exposure statements

IMPORTANT NOTE: To comply with the FCC RF exposure compliance requirements, the antenna (s) used for this transmitter must be installed to provide a separation distance of at least 20 cm from all persons and must not be co-located or operating in conjunction with any other antenna or transmitter. No change to the antenna or the device is permitted. Any change to the antenna or the device could result in the device exceeding the RF exposure requirements and void user's authority to operate the device.

Note: This equipment has been tested and found to comply with the limits for a Class B digital device, pursuant to part 15 of the FCC Rules. These limits are designed to provide reasonable protection against harmful interference in a residential installation. This equipment generates, uses and can radiate radio frequency energy and, if not installed and used in accordance with the instructions, may cause harmful interference to radio communications. However, there is no guarantee that interference will not occur in a particular installation. If this equipment does cause harmful interference to radio or television reception, which can be determined by turning the equipment off and on, the user is encouraged to try to correct the interference by one or more of the following measures:

- Reorient or relocate the receiving antenna.
- Increase the separation between the equipment and receiver.
- Connect the equipment into an outlet on a circuit different from that to which the receiver is connected.
- Consult the dealer or an experienced radio/TV technician for help.

OPERATING TIME

* The suitable battery packs for this radio listed as the following table.

* The following table indicates the operating time on a single charge.

| Battery capacity | Battery cartridge voltage | | | AT SPEAKERS OUTPUT = 100mW Unit: Hour (Approximately) | |
|------------------|---------------------------|-------------------|------------------------|--|----------------|
| | CXT (10.8V - 12V max) | LXT(18V) | XGT (36V - 40V max) | Radio/AUX | Bluetooth play |
| 1.5 Ah | BL1016 | | | 6.0 | 5.0 |
| | | BL1815N | | 5.0 | 4.0 |
| 2.0 Ah | BL1021B | | | 8.0 | 7.0 |
| | | BL1820B | | 6.5 | 6.5 |
| | | | BL4020 | 9.5 | 9.0 |
| 2.5 Ah | | | BL4025 | 12.0 | 12.0 |
| 3.0 Ah | | BL1830 BL1830B | | 9.5 | 9.0 |
| 4.0 Ah | BL1041B | | | 16.0 | 13.5 |
| | | BL1840B | | 13.0 | 13.0 |
| | | | BL4040 | 19.0 | 17.0 |
| 5.0 Ah | | BL1850B | | 17.0 | 16.0 |
| 6.0 Ah | | BL1860B | | 20.0 | 20.0 |

Some of the battery cartridges and chargers listed above may not be available depending on your region of residence.

⚠ WARNING:

Only use the battery cartridges listed above. Use of any other battery cartridges may cause injury and/or fire.

NOTE:

- Table regarding to the battery operating time above is for reference.
- The actual operating time may differ with the type of the battery, charging condition, or usage environment.

INSTALLATION AND POWER SUPPLY

⚠ CAUTION:

- Be careful not to pinch your fingers when opening and closing the battery cover.
- Return the battery compartment locker to the original position, after installing or removing battery cartridge. If not, battery cartridge may accidentally fall out of the radio, causing injury to you or someone around you.
- Always close and lock the battery compartment locker before moving the radio.
- Always switch off the radio before installing or removing the battery cartridge.
- Be careful not to drop or strike the radio. Broken shell may slash your finger or stab your body. Damaged radio may exhibit unpredictable behaviour resulting in fire, explosion or risk of injury.
- Hold the tool and the battery cartridge firmly when installing or removing battery cartridge.

IMPORTANT:

- Reduced power, distortion, "stuttering sound" or when both low battery indicator and "POWERFAIL" appear on the display are all the signs that the main battery pack needs to be replaced.
- When low battery indicator appears and an "EMPTY" keeps on flashing is the time to replace the back up batteries.
- The battery cartridge can't be charged via the supplied AC power adapter.
- The battery cartridge is not included as standard accessories.

Installing or removing slide battery cartridge (Fig. 2-5)

- To install the battery cartridge, align the tongue on the battery cartridge with the groove in the housing and slip it into place. Always insert it all the way until it locks in place with a little click.
- If you can see the red indicator on the upper side of the button, it is not locked completely. Install it fully until the red indicator cannot be seen. If not, it may accidentally fall out of the radio, causing injury to you or someone around you.
- Do not use force when installing the battery cartridge. If the cartridge does not slide in easily, it is not being inserted correctly.
- To remove the battery cartridge, slide it from the radio while sliding the button on the front of the cartridge.

Indicating the remaining battery capacity (Fig. 6-8)

➤ 1. Indicator lamps 2. Check button

Press the check button on the battery cartridge to indicate the remaining battery capacity. The indicator lamps light up for few seconds.

• XGT/LXT battery cartridge

| Indicator or lamps | | | Remaining capacity |
|--------------------|-----|----------|------------------------------------|
| Lighted | Off | Blinking | |
| ■ | □ | ◐ | 75% ~ 100% |
| ■ ■ ■ ■ | | | |
| ■ ■ ■ □ | | | 50% ~ 75% |
| ■ ■ □ □ | | | 25% ~ 50% |
| ■ □ □ □ | | | 0% ~ 25% |
| ◐ □ □ □ | | | Charge the battery |
| ■ ■ □ □ | ↑ | ↓ | The battery may have malfunctioned |
| □ □ ■ ■ | | | |

• CXT battery cartridge

| Indicator or lamps | | | Remaining capacity |
|--------------------|-----|----------|--------------------|
| Lighted | Off | Blinking | |
| ■ | □ | ◐ | 75% ~ 100% |
| ■ ■ ■ ■ | | | |
| ■ ■ ■ □ | | | 50% ~ 75% |
| ■ ■ □ □ | | | 25% ~ 50% |
| ■ □ □ □ | | | 0% ~ 25% |

NOTE:

- Depending on the conditions of use and the ambient temperature, the indication may differ slightly from the actual capacity.
- The first (far left) indicator lamp will blink when the battery protection system works. (For XGT and LXT battery cartridges only)

Back up battery Installation (Fig. 9)

Keeping back up batteries inside the compartment prevent stored data in preset memories from being lost.

1. Pull out the battery compartment locker to release battery compartment. There are main battery pack compartment and back up battery compartment.

- Remove back up battery compartment cover and insert 2 fresh UM-3 (AA sizes). Make sure the batteries are with correct polarity as shown inside the compartment. Replace the battery cover.
- After back up batteries are inserted, insert the main battery pack to power radio.

Using supplied AC power adapter

Remove the rubber protector and insert the adapter plug into the DC socket on the right hand side of the radio. Plug the adapter into a standard mains socket outlet. Whenever the adapter is used, the battery pack is automatically disconnected.

⚠ CAUTION:

- Always disconnected the AC power adapter completely before moving the radio. If the AC adapter is not removed, it may cause an electric shock.
- Never pull and/or drag the cord of the adapter. If not, the radio may accidentally fall down, causing injury to you or someone around you.

IMPORTANT:

- The mains adapter is used as the means of connecting the radio to the mains supply. The mains socket used for the radio must remain accessible during normal use.
- In order to disconnect the radio, the mains adapter should be removed from the mains outlet completely.
- Use the AC power adapter supplied with the product or specified by Makita only.
- Do not hold the power supply cable and plug by your mouth. Doing so might cause an electric shock.
- Do not touch the power plug with wet or greasy hands.
- Damaged or entangled cords increase the risk of electric shock. If the cord is damaged, have it replaced by our authorized service center in order to avoid a safety hazard. Do not use it before repair.
- After use, always store AC power adapter out of the reach of children. If Children play with the cord, they may suffer injury.

Note:

When your radio has any interference in AM band by its adapter, please move your radio away from its AC power adapter over 30cm.

Charging with USB power supply port

There is the USB port at the front side of the radio. You can charge USB device trough the USB port.

- Press the Power button to switch on your radio.
- Connect the USB device, such as a mobile phone, with USB cable available in the market.
- No matter if the radio is AC powered or battery powered, the radio can charge the USB device when the radio is switched on and in FM radio mode, or

BT mode, or AUX mode, which is appeared when an external audio source is connected.

Note:

- You cannot charge USB devices during AM mode because radio signal reception becomes extremely poor when charging USB device.
- The maximum volume of the output power speaker will decrease when your USB is charging.
- The USB socket can provide max 5V/2.4A of electrical current.

IMPORTANT:

- Before connecting USB device to the charger, always backup your data of USB device. Otherwise your data may lose by any possibility.
- The charger may not supply power to some USB devices.
- When not using or after charging, remove the USB cable and close the cover.
- Do not connect power source to USB port. Otherwise there is risk of fire. The USB port is only intended for charging lower voltage device. Always place the cover onto the USB port when not charging the lower voltage device.
- Do not insert a nail, wire, etc. into USB power supply port. Otherwise a circuit short may cause smoke and fire.
- Do not connect this USB socket with your PC USB port, as it is highly possible that it may cause breakdown of the units.

LISTENING TO THE RADIO

Scan tuning AM/ FM

Note:

The FM antenna is built into the handle. When operating the radio, please straighten the handle properly above the radio to get better reception. For the AM band, rotate the radio to get best signal as the AM antenna is built into the radio.

- Press the Power button to switch on your radio.
- Press the Source button to select AM or FM radio mode.
- Press and hold the Tuning control knob to carry out an auto-tune. Your radio will scan up the AM/FM band from the currently displayed frequency and will stop scanning automatically when it finds a station of sufficient strength.
- After a few seconds the display will update. The display will show the frequency of the signal found.
- To find other station, press and hold the Tuning control knob as before.
- When the end of the waveband is reached your radio will recommence tuning from the opposite end of the waveband.

7. Rotate the Tuning control knob to adjust the sound level as required.

Note:

- While adjusting the volume, make sure the FM/AM is NOT flashing on the screen.
 - If AM/FM is flashing on the screen, it allows you to tune the stations manually (see the section of "Manual tuning – AM/FM" for more detail).
 - The volume should not be too large. To prevent possible hearing damage, do not listen at high volume levels for long periods.
8. To switch off your radio press the Power button.

Manual tuning – AM/FM

1. Press the Power button to switch on your radio.
2. Press the Source button to select AM or FM radio mode.
3. Press the Tuning control knob and you will see the FM or AM is flashing on the display.

Note:

- FM/AM will flash approx. 10 seconds. Within this period, only manual tuning is allowed.
 - If volume adjustment is desired while FM/AM is flashing, press the Tuning control knob to stop the flash and you can rotate the Tuning control knob to adjust sound level.
4. Rotate the Tuning control knob to tune to a station.
 5. When the end of the waveband is reached your radio will recommence tuning from the opposite end of the waveband.
 6. Rotate the Tuning control knob to adjust the sound level as required.

Presetting stations in AM/FM mode

There are 5 preset stations each for AM and FM radio. They are used in the same way for each waveband.

1. Press the Power button to switch on your radio.
2. Press the Source button to select the desired waveband. Tune to the required radio station as previously described.
3. Press and hold the required Preset button (1 to 5) until the display shows "P4" for example after the frequency. The station will be stored using the preset number. Repeat this procedure for the remaining presets as you wish.
4. Preset stations which have already been stored may be overwritten by following the above procedure if required.

Display modes – FM

Your radio has a range of display options for FM radio mode.

Repeatedly press the Menu/Info button to view the RDS information of the station you are listening to.

- a. Station name Displays the name of the station being listened to.
- b. Program type Displays the type of station being listened to such as Pop, Classic, News, etc.
- c. Radio text Displays radio text message such as new items etc.
- d. Year/Day Displays the year and day of the week according to the date setting of your radio.
- e. Date/Day Displays the date and day of the week according to the date setting of your radio.
- f. EQ mode Displays the EQ mode of the FM for the station listened to.
- g. Frequency Displays the frequency of the FM for the station listened to.

FM stereo (auto)/mono

If the FM radio station being listened to has a weak signal some hiss may be audible. It is possible to reduce this hiss by forcing the radio to play the station in mono rather than stereo.

1. Press the Source button as needed to select the FM band and tune to the desired FM station as previously stated.
2. Press and hold Menu/Info button to enter the menu setting.
3. Rotate the Tuning control knob until the "FM AUTO (or MONO)" setting shows on the display. If the setting is Auto, press the Tuning control knob and then rotate the Tuning control knob to switch to Mono mode to reduce the hiss. Press the Tuning control knob to select the option.

Recalling a preset in AM/FM mode

1. Press the Power button to switch on your radio.
2. Press the Source button to select AM or FM radio mode
3. Momentarily press the required Preset button to tune to your radio to one of the stations stored in the preset memory.

MISCELLANEOUS SETTINGS

Setting the time and date format

The clock display used in stand-by mode and on the playing mode screens can be set to different format. The selected format is then also used when setting the alarms.

1. Press and hold the Menu/Info button to enter the menu setting.

2. Rotate the Tuning control knob until "CLOCK xxH" appears on the display and press the Tuning control knob to enter the setting. You will see the time format begins to flash.
3. Rotate the Tuning control knob to select either 12 or 24 hour format. Press the Tuning control knob to confirm your choice of clock format.

Note:

If the 12 hour clock format is chosen, the radio will then use the 12 hour clock for the setting.

4. Press and hold the Menu/Info button to enter the menu setting.
5. Rotate the Tuning control knob until a date (e.g. THU APR 3) appears on the display and press the Tuning control knob to enter the setting. You will see the date format begins to flash.
6. Rotate the Tuning control knob to select the desired date format. Press the Tuning control knob to confirm your choice.

Setting the clock time and date

1. Press and hold the Menu/Info button.
2. Rotate the Tuning control knob until "CLOCK ADJ" appears on the display. Press the Tuning control knob to enter the setting.
3. The hour setting on the display will begin flashing. Rotate the Tuning control knob to select the desired hour, and press the Tuning control knob to confirm the setting. Then rotate the Tuning control knob to select the desired minute, and press the Tuning control knob to confirm the setting.
4. Rotate the Tuning control knob until "DATE ADJ" appears on the display. Press the Tuning control knob to enter the setting.
5. Rotate the Tuning control knob to select the desired year and press the Tuning control knob to confirm the setting. Then rotate the Tuning control knob to select the desired month, and press the Tuning control knob to confirm the setting. Then rotate the Tuning control knob to select the desired day and press the Tuning control knob to confirm the setting.

Radio Data System (RDS)

When you set the clock time using the RDS function, your radio will synchronize its clock time whenever it tunes to a radio station using RDS with CT signals.

1. When tuning to a station transmitting RDS data, the RDS symbol will be shown on the display. Press and hold the Menu/Info button.
2. Rotate the Tuning control knob until "RDS CT" and a clock symbol appear on the display. Press the Tuning control knob to enter the setting.
3. Rotate the Tuning control knob until "RDS CT" appears on the display. Press the Tuning control knob to confirm the setting. The clock time of the radio will set up

automatically according to the RDS data received.

Note:

- The radio clock time will be valid for 5 days each time the radio time is synchronized with RDS CT.
- To disable the RDS CT function, go back to step 1 to 2 and then rotate the Tuning control knob to select "MANUAL" option. Press the Tuning control knob to confirm the setting.

Setting the alarm clock

Your radio has two alarms which can each be set to wake you to AM/FM radio or buzzer alarm. The alarms may be set while the unit is in standby mode or while playing.

Note:

Ensure that the time is set correctly before setting the alarms. If no buttons are pressed for 10 seconds, the radio will exit the alarm setup.

a. Setting radio alarm time:

1. The radio alarm can be set either when radio is on or off.
2. Press and hold the radio alarm button, the radio alarm symbol and the display hour will flash along with a beep.
3. During radio alarm symbol flashes, rotate Tuning control knob to select the hour and press Tuning control knob to confirm hour setting. Then rotate the Tuning control knob to select the minute and press Tuning control knob to confirm minute setting.
4. Rotate the Tuning control knob and the display will show the frequency options for the alarm. The alarm options are as follows:
ONCE – the alarm will sound once
DAILY – the alarm will sound everyday
WEEKDAY – the alarm will sound only on weekdays
WEEKEND – the alarm will sound only at weekends
Press the Tuning control knob to confirm the setting.
5. During radio alarm symbol is flashing, rotate Tuning control knob to select desired wake-up band and station, then press Tuning control knob to confirm the selection.
6. Rotate Tuning control knob to select the desired volume and press Tuning control knob to confirm the volume. Radio alarm setting is now completed.

Note:

- If new radio alarm station is not selected, it will select the last alarm station.
- If the selected AM/FM alarm station is not available when the alarm is sounding, the buzzer alarm will be used instead.

b. Setting HWS (Humane Wake System) buzzer alarm:

A beep tone will activate when selecting the HWS buzzer alarm.

The alarm beep will sound shorter every 15 seconds for one minute followed by one minute silence before repeating the cycle.

1. The buzzer alarm can be set either when the radio is on or off.
2. Press and hold the buzzer alarm button, the buzzer alarm symbol and the display hour will flash along with a beep.
3. During buzzer alarm symbol flashes, rotate the Tuning control knob to select the hour and press the Tuning control knob to confirm hour setting. Then rotate the Tuning control knob to select the minute and press Tuning control knob to confirm minute setting.
4. Rotate the Tuning control knob and the display will show the frequency options for the alarm.

The alarm options are as follows:

ONCE – the alarm will sound once

DAILY – the alarm will sound everyday

WEEKDAY – the alarm will sound only on weekdays

WEEKEND – the alarm will sound only at weekends.

Press the Tuning control knob to confirm the setting.

Note:

There is no volume adjustment for buzzer alarm.

Stopping the alarm sound

To cancel a sounding alarm, press the Power button.

Disable the alarm setting

To disable the alarm setting before the alarm sounds, press and hold the corresponding alarm button until alarm symbol disappears on the display.

Snooze

1. When the alarm sounds, press any button other than the Power button will silence the alarm for 5 minutes. "SNOOZE" will appear on the display.
2. To adjust the silence time for the snooze timer, press and hold the Menu/Info button to enter the menu setting.
3. Rotate the Tuning control knob until "SNOOZE X" appears on the display, then press the Tuning control knob to enter the setting. Rotate the Tuning control knob to adjust the silence time from 5, 10, 15 and 20 minutes for the snooze timer. Press the Tuning control knob to confirm the setting.
4. To cancel the snooze timer while the alarm is suspended, press the Power button.

Sleep timer

Your radio can be set to turn off automatically after a preset time has elapsed. The Sleep Timer setting can be adjusted between 60, 45, 30, 15, 120 and 90 minutes.

1. Press and hold the Power button to enter the Sleep Timer setting. "SLEEP XX" will show on the display.

2. Keep holding the Power button and the Sleep Timer options will start switching on the display. Stop until the desired Sleep Timer setting appears on the display. The setting will be saved and the LCD will return to normal display.
3. Your radio will switch off automatically after the preset Sleep Timer has elapsed. The Sleep Timer icon will be shown on the display indicating an active Sleep Timer.
4. To cancel the Sleep Timer function before the preset time has elapsed, simply press the Power button to turn the unit off manually.

Loudness

You can get compensation on lower and higher frequency for your radio by adjusting the loudness function.

1. Press and hold the Menu/Info button to enter the menu setting.
2. Rotate the Tuning control knob until "LOUD ON" or "LOUD OFF" appears on the display. Press the Tuning control knob to enter the setting.
3. Rotate the Tuning control knob to choose ON to turn on the loudness function, then press the Tuning control knob to confirm the setting.
4. To turn off the loudness function, select OFF and press the Tuning control knob to confirm the setting.

Equalizer function

There are 7 kinds of color LED indicators around the Tuning control knob to indicate different EQ modes.

1. Press the Power button to switch on your radio.
2. Press the EQ control button to enter the EQ setting menu.
3. Rotate the Tuning control knob to select your required mode. Then press the Tuning control knob to confirm the selection.

| EQ mode | LED indicator |
|---------|---------------|
| FLAT | White |
| JAZZ | Blue |
| ROCK | Red |
| CLASSIC | Brown |
| POP | Pink |
| NEWS | Yellow |
| MY EQ | Green |

Set up My EQ profile

1. Press the EQ control button to enter the EQ setting menu.
2. Rotate the Tuning control knob to select "MY EQ". Then press the Tuning control knob to enter the "BASS" setting.
3. Rotate the Tuning control knob to select your required bass level. Press the Tuning control knob to enter the "MIDDLE" setting.

4. Rotate the Tuning control knob to select your required middle level. Press the Tuning control knob to enter the "TREBLE" setting.
5. Rotate the Tuning control knob to select your required treble level. Press the Tuning control knob to confirm the setting.

Note:

When using the equalizer to emphasize the bass and listening at high volume levels, it may cause sound cracking and distortion. In this case, adjust the radio volume appropriately.

LISTENING TO MUSIC VIA BLUETOOTH STREAMING

You need to pair your Bluetooth device with the radio before you can auto-link to play/stream Bluetooth music through the radio. Pairing creates a 'bond' so two devices can recognize each other.

Note:

- To have the better sound quality, we recommend setting the volume to more than two-thirds level on your Bluetooth device and then adjust the volume on the radio as required.
- The radio can memorize up to 8 sets of paired device, when the memory exceed this amount, the oldest pairing history will be over written.

Pairing your Bluetooth device for the first time

1. Press the Power button to turn on the radio. Press the Source button to select Bluetooth mode. The display will appear "BT PAIR" and "PAIR" will flash on the display.
2. Activate Bluetooth on your device according to the device's user manual to link to the radio. Locate the Bluetooth device list and select the device named 'MR006G' (With some mobiles which are equipped with earlier versions than BT2.1 Bluetooth device, you may need to input the pass code "0000").
3. Once connected, there will be a confirmation tone sound. "BLUETOOTH" will remain on the display and the backlight will be dim-out in 10 seconds. You can simply select and play any music from your source device. Volume control can be adjusted from your source device, or directly from the radio.
4. Use the controls on your Bluetooth-enabled device or on the radio to play/pause and navigate tracks.

Note:

- If 2 Bluetooth devices, pairing for the first time, both search for the radio, it will show its availability on both devices. However, if one device links with this unit first, then the other Bluetooth device won't find it on the list.
- If your Bluetooth device is temporarily disconnected to

the radio, then you need to manually reconnect your device again to the radio.

- If 'MR006G' shows in your Bluetooth device list but your device cannot connect with it, please delete the item from your list and pair the device with the radio again following the steps described previously.
- Optimum Bluetooth streaming range is roughly 10 meters (33 feet) (line of sight) to the radio but distance up to 30 meters (100 feet) are possible.
- If Bluetooth connection is lost due to exceeding time of separation, exceeding the optimum distance, obstacles or otherwise, reconnecting your device with the radio may be necessary.
- Physical obstacles, other wireless devices or electromagnetic devices may affect the connection quality.
- Bluetooth connectivity performance may vary depending on the connected Bluetooth devices. Please refer to the Bluetooth capabilities of your device before connecting to the radio. All features may not be supported on some paired Bluetooth devices.

Playing audio files in Bluetooth mode

When you have successfully connected the radio with the chosen Bluetooth device you can start to play your music using the controls on your connected Bluetooth device.

1. Once playing has started adjust the volume to the required setting using the Volume knob on the radio or on your enabled Bluetooth device.
2. Use the controls on your Bluetooth source device to play/pause and navigate tracks. Alternatively, control the playback using Play/Pause, Next track, Previous track buttons on your radio.
3. Press and hold the Next track or Previous track button to move through the current track. Release the button when the desired point is reached.

Note:

- Some player applications or devices may not respond to all of these controls.
- Some mobile phones may temporarily disconnect from the radio when you make or receive calls. Some devices may temporarily mute their Bluetooth audio streaming when they receive text messages, emails or for other reasons unrelated to audio streaming. Such behaviour is a function of the connected device and does not indicate a fault with the radio.

Playing a previously-paired Bluetooth source device

If your Bluetooth device already paired with the radio previously, the unit will memorize your Bluetooth device and it attempts to reconnect with a device in memory which is last connected. If the last connected device is not available, the radio will be discoverable.

Disconnecting your Bluetooth device

Press and hold the Bluetooth pairing button for 2-3 seconds until "BT PAIR" is shown on the display or turn off Bluetooth on your Bluetooth device to disable the connection.

You can also press the Source button to select any mode other than Bluetooth mode to disable the connection.

Deleting Bluetooth paired device memory

To clear the memory of all paired devices, press and hold the Bluetooth pairing button more than 5 seconds until "CLEARING" shows on the display.

AUXILIARY INPUT SOCKET

A 3.5mm Auxiliary input socket is provided at the front of your radio to permit an audio signal to be fed into the unit from an external audio device such as a MP3 or CD player.

1. Connect an external audio source (for example, MP3 or CD player) to the AUX IN socket.
2. Press the Power button to switch on your radio.
3. Repeatedly press and release the Source button until "AUX IN" is displayed.
4. To have the better sound quality, we recommend setting the volume to more than two-thirds level on your audio device and then adjust the volume on the radio as required.

Note:

Audio cord is not included as standard accessories.

MAINTENANCE

⚠ CAUTION:

- Never use gasoline, benzene, thinner, alcohol or the like. Discoloration, deformation or cracks may result.
- Do not wash the radio with water.

SPECIFICATIONS

| Power requirements | |
|--------------------|--|
| AC power adapter | DC 12V 2.5A, center pin positive |
| Battery | UM-3 (AA size) x 2 for back up Slide battery: 10.8V - 36V |
| Frequency coverage | FM 87.50 - 108 MHz (0.05MHz/step) AM (MW) 522-1,710 kHz (9kHz/step) |

| Bluetooth® | |
|---|--|
| (The Bluetooth® word mark and logos are registered trademarks owned by Bluetooth SIG, Inc.) | |
| Bluetooth version | 5.0 Certified |
| Bluetooth Profiles | A2DP/SCMS-T/AVRCP |
| Transmission Power | Power Class2 |
| Transmission Range | Optimum: Max. 10 meters (33 feet) Possible: Max. 30 meters (100 feet) (varies according to usage conditions) |
| Supported codec | SBC |
| Compatible Bluetooth profile | A2DP/AVRCP |
| Maximum radio-frequency power | BT EDR: 3.887dBm |
| Operating Frequency | 2402MHz~2480MHz |

| Circuit feature | |
|-----------------------|--|
| Loudspeaker | 2.5 inches 8 ohm x 2 4 inches 6 ohm x 1 |
| Output power | 10.8V-12V max: 2W X 2 + 10W 14.4V: 3W X 2 + 15W 18V: 5W X 2 + 25W 36V: 5W X 2 + 25W |
| Input terminal | 3.5mm dia. (AUX IN) |
| Antenna system | FM: Built-in antenna AM: bar antenna |
| Dimensions(L x W x H) | 285 x 172 x 305mm |
| Weight | 5.5Kg (without battery) |

ESPAÑOL (Instrucciones originales)

EXPLICACIÓN DE LA VISTA GENERAL (Fig. 1)

1. Asa/antena integrada (FM)
2. Compartimiento de las baterías
3. Cubierta del compartimiento de la batería (que cubre la batería)
4. Altavoz
5. Toma de entrada de CC
6. Antena integrada (AM)
7. Subwoofer
8. Botón de encendido/apagado automático
9. Botón de fuente
10. Botón de alarma de radio
11. Botón de alarma de zumbador
12. Botón de presintonía 3/reproducir/pausar
13. Botón de presintonía 5
14. Botón de presintonía 4/siguiente pista
15. Botón de control del ecualizador
16. Indicador LED del modo del ecualizador
17. Toma de entrada auxiliar
18. Puerto de alimentación USB
19. Control de volumen/sintonización/selección
20. Botón de menú/información
21. Botón de presintonía 2/pista anterior
22. Botón de presintonía 1/vinculación Bluetooth
23. Pantalla LCD
24. Terminal de la batería XGT
25. Terminal de la batería CXT
26. Terminal de la batería LXT
27. Compartimiento de las baterías de respaldo

PANTALLA LCD

- A. Alarma de radio
- B. Alarma de zumbador
- C. Símbolo de estéreo
- D. Indicador de batería baja
- E. Reloj
- F. Frecuencia
- G. RDS (Radio data system)
- H. Icono del apagado automático
- I. P. M. para el reloj

SÍMBOLOS

Lo siguiente muestra los símbolos usados por el equipo. Asegúrese de que entiende su significado, antes de usar el equipo.



Lea el manual de instrucciones.

INSTRUCCIONES IMPORTANTES DE SEGURIDAD

⚠ ADVERTENCIA:

Cuando utilice herramientas eléctricas, para reducir el riesgo de incendio, descarga eléctrica y lesiones personales, siga siempre las precauciones básicas de seguridad, incluyendo lo siguiente:

1. Lea el manual de instrucciones y el manual de instrucciones del cargador detenidamente antes de usarlos.
2. Limpie el equipo solo con un paño seco.
3. No instale cerca de fuentes de calor, como radiadores, estufas, fuegos de cocina u otros aparatos (incluyendo amplificadores) que produzcan calor.
4. Utilice únicamente accesorios especificados por el fabricante.
5. Desenchufe este aparato durante las tormentas o cuando no vaya a usarlo por un periodo prolongado.
6. Una radio a batería con baterías integrales o un paquete de baterías independiente se debe recargar solamente con el cargador especificado para la batería. Un cargador que puede ser adecuado para un tipo de batería puede crear un riesgo de incendio cuando se usa con otra batería.
7. Utilice la radio a batería únicamente con los paquetes de batería designados específicamente. El uso de cualquier otra batería puede crear un riesgo de incendio.
8. Cuando la batería no esté en uso, manténgala alejada de otros objetos metálicos como: clips, monedas, llaves, clavos, tornillos u otros objetos metálicos pequeños que pudieran crear conexiones de un terminal a otro. El contacto entre sí de los terminales de las baterías puede provocar chispas, quemaduras o fuego.
9. Evite contacto corporal con superficies conectadas a tierra como tuberías, radiadores, estufas y refrigeradores. Hay un incremento del riesgo de descarga eléctrica si su cuerpo está conectado a tierra.
10. En condiciones abusivas, puede que de la batería se expulse líquido, evite el contacto. Si de forma accidental entra en contacto con el líquido, enjuague con agua. Si el líquido entrase en contacto con los ojos, busque ayuda médica. El líquido expulsado de la batería puede causar irritación o quemaduras.
11. No use una batería o una herramienta dañada o modificada. Las baterías dañadas o modificadas puede presentar un comportamiento impredecible causando incendios, explosiones y riesgos de lesiones.

12. No exponga la batería o herramienta al fuego o a temperaturas excesivas. La exposición al fuego o a temperaturas mayores que 130°C (266°F) podrían causar una explosión.
13. Siga todas las instrucciones de carga y no cargue la batería o la herramienta fuera del rango de temperatura especificado en las instrucciones. Cargar incorrectamente o a temperaturas fuera del rango especificado podrían dañar la batería e incrementar el riesgo de fuego.
14. El enchufe principal de la red eléctrica se utiliza como dispositivo de desconexión, y debe estar siempre disponible.
15. No use este producto a volumen alto durante un periodo prolongado. Para evitar daños auditivos, use este producto a un nivel de volumen moderado.
16. (Solo para productos con pantalla LCD) Las pantallas LCD incluyen líquidos que pueden causar irritación y envenenamiento. Si el líquido entrase en contacto con los ojos, boca o piel, enjuague con agua y llame a un médico.
17. No exponga el producto a condiciones de lluvia o humedad. El agua que entre al producto incrementará el riesgo de descarga eléctrica.
18. Este aparato no es apto para su uso por personas (niños incluidos) con las capacidades físicas, sensoriales o mentales disminuidas, o por personas que carezcan de experiencia y conocimiento, a no ser que alguien que sea responsable de su seguridad, les esté supervisando o les explique cómo deben usar el aparato. Los niños deben ser supervisados para asegurarse de que no jueguen con el producto. Guarde el producto lejos del alcance de los niños.
5. No haga un cortocircuito con el cartucho de batería.
 - (1) No toque los terminales con un material conductor.
 - (2) Evite almacenar el cartucho de batería en recipientes con otros objetos metálicos como clavos, monedas, etc.
 - (3) No exponga la batería al agua o lluvia. Un cortocircuito en la batería puede producir un gran flujo, sobrecalentamiento, posibles quemaduras e incluso una avería.
6. No guarde la herramienta ni el cartucho de batería en lugares donde la temperatura pueda llegar a o superar los 50°C (122°F).
7. No incinere el cartucho de batería incluso si está muy dañado o completamente desgastado. El cartucho de batería podría explotar en el fuego.
8. Tenga cuidado de no dejar caer o golpear la batería.
9. No use una batería dañada.
10. Para evitar riesgos, lea antes de su uso el manual de la batería reemplazable. Y la corriente máxima de descarga de la batería debe ser igual o mayor a 8A.
11. Las baterías de iones de litio están sujetas a los requisitos de la Legislación de mercancías peligrosas. Para su transporte comercial, como por ejemplo por terceros o transportistas, deben respetarse los requisitos especiales del embalaje y etiquetado. Para la preparación del artículo para su envío, se requiere consultar a un experto en materiales peligrosos. Acate también las, posiblemente más detalladas, regulaciones nacionales. Cubra los contactos abiertos y empaquete la batería de tal manera que no se pueda mover en el embalaje.
12. Siga las regulaciones locales en lo relacionado a la eliminación de baterías.
13. Use las baterías solo con los productos especificados por Makita. La instalación de las baterías con productos no conformes podría resultar en un incendio, calor excesivo, explosión o fuga de electrolitos.
14. Si la herramienta no se usa por un periodo prolongado de tiempo, debe retirar la batería.
15. No permita que astillas, polvo o suciedad se adhieran a los terminales, agujeros y ranuras de la batería. Puede provocar un rendimiento bajo o una avería de la herramienta o batería.
16. Mantenga la batería fuera del alcance de los niños.

GUARDE ESTAS INSTRUCCIONES

REGLAS ESPECÍFICAS DE SEGURIDAD PARA EL CARTUCHO DE BATERÍA

1. Antes de utilizar el cartucho de batería, lea todas las instrucciones y advertencias en (1) el cargador de la batería, (2) la baterías, (3) el producto que usa la batería.
2. No desmonte el cartucho de batería.
3. Si el tiempo de funcionamiento se ha vuelto excesivamente corto, pare inmediatamente. Puede haber riesgo de sobrecalentamiento, posibles quemaduras o incluso una explosión.
4. Si el electrolito entra en contacto con los ojos, lávelos con agua limpia y busque atención médica de inmediato. Podría dar como resultado la pérdida de visión.

⚠ PRECAUCIÓN:

- Peligro de explosión si la batería se coloca incorrectamente.
- Reemplace solo con una del mismo tipo o uno equivalente.
- Use solo baterías originales Makita. El uso de baterías Makita no originales o de baterías que hayan sido alteradas podría provocar la explosión de la batería causando incendios, lesiones personales y daños. También anulará la garantía de Makita para la herramienta de Makita y el cargador.

Consejos para mantener al máximo la vida útil de la batería

1. Cargue el cartucho de batería antes de que se descargue completamente. Deje de usar la herramienta y cargue la batería cuando note que la batería tiene menos potencia.
2. Nunca cargue un cartucho de batería que esté totalmente cargado. La sobrecarga reduce la vida útil de la batería.
3. Cargue el cartucho de batería con una temperatura ambiente de entre 10 y 40 grados centígrados (50°F-104°F). Antes de cargarla, deje que una batería que esté caliente se enfríe.
4. Cuando no use la batería, retírela de la herramienta o del cargador.
5. Cargue el cartucho de batería si no lo usa durante un largo periodo de tiempo (más de seis meses).

Para Estados Unidos:

FC Precauciones para el usuario

Los cambios o modificaciones que no hayan sido expresamente autorizados por la entidad responsable por el cumplimiento de las regulaciones podrían anular la autoridad del usuario de utilizar este equipo.

Declaraciones sobre la exposición de radiofrecuencia (RF)

NOTA IMPORTANTE: Para cumplir con los requisitos de exposición humana a los campos de radiofrecuencia (RF) de la FCC, la o las antenas usadas para este transmisor deben instalarse a una distancia mínima de 20 centímetros de cualquier persona y no deben ser colocadas ni funcionar junto a otras antenas o transmisores. No se permite ningún cambio en la antena o dispositivo. Cualquier cambio en la antena o dispositivo podría resultar en el dispositivo excediendo los requisitos de exposición humana a los campos de radiofrecuencia y anular la autoridad del usuario para operar el dispositivo.

NOTA: Este equipo ha sido probado y cumple con los límites correspondientes a un equipo digital de Clase B, según lo señalado en la Parte 15 de las Normas FCC (la Comisión Federal de Comunicaciones de EE. UU.). Estos límites están diseñados para proporcionar protección razonable contra interferencias perjudiciales en una instalación residencial. Este equipo genera, utiliza y puede emitir energía de frecuencias de radio y, si no es instalado y usado de acuerdo a las instrucciones, puede causar interferencias perjudiciales en las comunicaciones de radio. Sin embargo, no hay garantía de que no ocurrirán las interferencias en una instalación determinada. Si este equipo causa interferencias perjudiciales en la recepción de radio o televisión, que se pueden identificar encendiendo y apagando el equipo, recomendamos al usuario que intente solucionar las interferencias tomando una o más de las siguientes medidas:

- Cambiar la orientación o posición de la antena receptora.
- Aumentar la separación entre el equipo y el receptor.
- Conectar el equipo a una toma de un circuito diferente del conectado con el receptor.
- Consultar al proveedor o a un técnico de radio/TV con experiencia para recibir ayuda.

TIEMPO DE FUNCIONAMIENTO

* Las baterías adecuadas para esta radio se enumeran en la siguiente tabla.

* La siguiente tabla indica el tiempo de uso con una sola carga.

| Capacidad de la batería | Tensión del cartucho de batería | | | CON LA SALIDA DEL ALTAVOZ = 100 mW Unidad: hora (aproximadamente) | |
|-------------------------|---------------------------------|-------------------|------------------------|---|--------------|
| | CXT (10.8V - 12V máx) | LXT (18V) | XGT (36V - 40V máx) | En radio o AUX | En Bluetooth |
| 1.5 Ah | BL1016 | | | 6.0 | 5.0 |
| | | BL1815N | | 5.0 | 4.0 |
| 2.0 Ah | BL1021B | | | 8.0 | 7.0 |
| | | BL1820B | | 6.5 | 6.5 |
| | | | BL4020 | 9.5 | 9.0 |
| 2.5 Ah | | | BL4025 | 12.0 | 12.0 |
| 3.0 Ah | | BL1830 BL1830B | | 9.5 | 9.0 |
| 4.0 Ah | BL1041B | | | 16.0 | 13.5 |
| | | BL1840B | | 13.0 | 13.0 |
| | | | BL4040 | 19.0 | 17.0 |
| 5.0 Ah | | BL1850B | | 17.0 | 16.0 |
| 6.0 Ah | | BL1860B | | 20.0 | 20.0 |

Puede que algunas de las baterías o cargadores listados anteriormente no estén disponibles según su región de residencia.

⚠ ADVERTENCIA:

Solo use las baterías indicadas anteriormente. El uso de cualquier otra batería podría causar lesiones o fuego.

Nota:

- La tabla sobre el tiempo de funcionamiento de la batería es para referencia.
- El tiempo de funcionamiento real puede diferir según el tipo de batería, condiciones de carga o entorno de uso.

INSTALACIÓN Y ALIMENTACIÓN

⚠ PRECAUCIÓN:

- Tenga cuidado de no pellizcarse los dedos al abrir y cerrar la tapa de la batería.
- Tras instalar o retirar la batería, devuelva el compartimento de la batería a su posición inicial. De lo contrario la batería podría caerse accidentalmente de la radio y causar lesiones a usted o a gente a su alrededor.
- Antes de mover la radio cierre y boquee siempre el compartimento de la batería.
- Antes de instalar o retirar la batería, apague siempre la radio.
- Tenga cuidado de no dejar caer o golpear la radio. Una carcasa rota podría cortar los dedos o clavarse en su cuerpo. Una radio dañada puede tener un comportamiento impredecible que podría resultar en fuego, explosiones o riesgo de lesiones.
- Sostenga la herramienta y la batería firmemente cuando instale o retire la batería.

IMPORTANTE:

- Potencia reducida, distorsión, sonido con "tartamudez" o que aparezcan en pantalla tanto el indicador de batería baja como "POWERFAIL", son señales de que la batería principal necesita ser reemplazada.
- Cuando aparece el indicador de batería y "EMPTY" parpadea continuamente, es el momento de reemplazar las baterías de respaldo.
- La batería no puede cargarse mediante el adaptador de alimentación de CA suministrado.
- La batería no se incluye como accesorio estándar.

Instalación o extracción del cartucho de la batería deslizante (Fig. 2-5)

- Para instalar el cartucho de la batería, alinee la lengüeta situada en el cartucho de la batería con la ranura del chasis e insértelo. Insértelo completamente hasta que quede firmemente encajado con un clic.
- Si puede ver el indicador rojo de la zona superior del botón, significa que el cartucho no está encajado completamente. Instálelo completamente hasta que el indicador rojo no esté visible. De lo contrario, el cartucho puede desprenderse accidentalmente de la radio y causar lesiones al operario o a alguna persona que se encuentre cerca.
- No haga fuerza al insertar el cartucho de la batería. Si el cartucho no entra con suavidad, significa que no lo está instalando correctamente.
- Para retirar la batería, deslícela de la radio mientras desliza el botón en la parte frontal de la radio.

Indicación de la capacidad restante de la batería (Fig. 6-8)

- **1. Luces indicadoras** **2. Botón de comprobación**
 Pulse el botón de comprobación del cartucho de la batería para indicar la capacidad restante de la batería. Las luces indicadoras se encienden durante unos segundos.

• Batería XGT/LXT

| Luces indicadoras | | | Capacidad restante |
|-------------------|---------|-------------|---------------------------------------|
| Iluminado | Apagado | Parpadeando | |
| ■ | □ | ◻ | 75% ~ 100% |
| ■ | ■ | ■ | |
| ■ | ■ | □ | |
| ■ | □ | □ | |
| ■ | ■ | □ | 50% ~ 75% |
| ■ | □ | □ | 25% ~ 50% |
| ■ | □ | □ | 0% ~ 25% |
| ◻ | □ | □ | Cargue la batería |
| ■ | ■ | □ | La batería puede haber funcionado mal |
| □ | □ | ■ | |

• Batería CXT

| Luces indicadoras | | | Capacidad restante |
|-------------------|---------|-------------|--------------------|
| Iluminado | Apagado | Parpadeando | |
| ■ | □ | ◻ | 75% ~ 100% |
| ■ | ■ | ■ | |
| ■ | ■ | □ | |
| ■ | □ | □ | |
| ■ | ■ | □ | 50% ~ 75% |
| ■ | □ | □ | 25% ~ 50% |
| ■ | □ | □ | 0% ~ 25% |

NOTA:

- Dependiendo de las condiciones de uso y de la temperatura ambiente, la indicación puede diferir ligeramente de la capacidad real.
- La primera (la más a la izquierda) luz indicadora parpadeará cuando el sistema de protección de la batería funcione. (Solo para baterías XGT y LXT)

Instalación de la batería de respaldo (Fig. 9)

Mantener las baterías de respaldo dentro del compartimento evita que los datos guardados en las memorias de presintonías se pierdan.

1. Saque el compartimiento de las baterías para soltar el compartimiento de la batería. Hay un compartimiento de batería principal y un compartimiento de batería de respaldo.
2. Retire la cubierta del compartimiento de la batería de respaldo e introduzca dos baterías UM-3 nuevas (tamaño AA). Asegúrese de que las baterías estén con la polaridad correcta tal y como se muestra dentro del compartimiento. Vuelva a colocar la cubierta de la batería.
3. Una vez que las baterías de respaldo están introducidas, coloque la batería principal para alimentar la radio.

USO DEL ADAPTADOR DE ALIMENTACIÓN DE CA SUMINISTRADO

Retire el protector de goma e inserte el enchufe del adaptador en la toma de CC en la parte derecha de la radio. Enchufe el adaptador a una toma de la red eléctrica estándar. Cuando se usa el adaptador, la batería se desconecta automáticamente.

⚠️ PRECAUCIÓN:

- **Desconecte siempre completamente el adaptador de alimentación de CA antes de mover la radio. Si no se retira el adaptador de CA, podría causar una descarga eléctrica.**
- **Nunca tire o arrastre el cable del adaptador. De lo contrario, la radio podría caerse de forma accidental causándole lesiones a usted o a gente a su alrededor.**

IMPORTANTE:

- El adaptador de la red eléctrica se usa como medio para conectar la radio al suministro de la red eléctrica. La toma de corriente usada por la radio debe permanecer accesible durante el uso normal.
- Para desconectar la radio, el adaptador de la red eléctrica debe retirarse por completo de la toma de corriente.
- Use solo el adaptador de alimentación de CA suministrado con el producto o especificado por Makita.
- No sujete el cable de alimentación y enchufe con la boca. Hacerlo podría causar una descarga eléctrica.
- No toque el enchufe de corriente con las manos mojadas o grasosas.
- Unos cables dañados o enredados incrementan el riesgo de descarga eléctrica. Si el cable está dañado, haga que su centro de servicio autorizado lo reemplace para evitar riesgos para la seguridad. No lo use antes de la reparación.
- Tras el uso, guarde siempre el adaptador de alimentación de CA fuera del alcance de los niños. Si los niños jugasen con el cable, podrían sufrir lesiones.

Nota:

Cuando la radio tenga alguna interferencia en la banda AM debido a su adaptador, aleje la radio del adaptador de corriente de CA más de 30cm.

Carga mediante el puerto de suministro de alimentación USB

Existe un puerto USB en la parte frontal de la radio. Puede cargar el dispositivo USB mediante el puerto USB.

1. Presione el botón de encendido para encender la radio.
2. Conecte el dispositivo USB, como un teléfono móvil, con un cable USB disponible en tiendas.
3. Independientemente de si la radio recibe alimentación de corriente alterna o de baterías, la radio puede cargar el dispositivo USB cuando está encendida y en el modo de radio FM, el modo BT o el modo AUX, que aparece cuando se conecta una fuente de audio externa.

Nota:

- No puede cargar dispositivos USB durante el modo AM porque la recepción de la señal de radio se vuelve extremadamente mala al cargar el dispositivo USB.
- Durante la carga USB, el volumen máximo del altavoz de salida se reducirá.
- La ranura USB puede suministrar una corriente eléctrica máxima de 2.4A 5V.

Importante:

- Antes de conectar el dispositivo USB al puerto USB, realice siempre una copia de seguridad de los datos del dispositivo USB. De lo contrario, puede que los datos del dispositivo se pierdan.
- Puede que la radio no suministre alimentación a algunos dispositivos USB.
- Cuando no lo utilice, o bien después de una carga, retire el cable USB y cierre la cubierta.
- No conecte una fuente de alimentación al puerto USB. Existe riesgo de que se produzca un incendio. El puerto USB está diseñado únicamente para cargar dispositivos de bajo voltaje. Cuando no cargue un dispositivo de bajo voltaje, coloque siempre la cubierta en el puerto USB.
- No inserte un clavo, un cable, etc. en el interior del puerto de suministro de alimentación USB. Existe el riesgo de que se produzca un cortocircuito que provoque humo o incluso un incendio.
- No conecte esta ranura USB con el puerto USB de un ordenador, ya que es muy posible que las dos unidades se averíen.

ESCUCHAR LA RADIO

Sintonización AM/FM por escaneo

Nota:

La antena FM está integrada en el asa. Al usar la radio, enderece adecuadamente el asa por encima de la radio para obtener una mejor recepción. Para la banda AM, gire la radio para obtener la mejor señal puesto que la antena AM está integrada en la radio.

1. Presione el botón de encendido para encender la radio.
2. Presione el botón de fuente para seleccionar el modo de radio AM o FM.
3. Mantenga presionado el control de sintonización para realizar una sintonización automática. La radio escaneará hacia arriba la banda AM/FM desde la frecuencia mostrada en el momento actual, y se detendrá automáticamente cuando encuentre una emisora lo suficientemente fuerte.
4. Tras unos segundos la pantalla se actualizará. En pantalla se mostrará la frecuencia de la señal encontrada.
5. Para encontrar otra emisora, mantenga presionado el control de sintonización como antes.
6. Cuando se llegue al final de la banda de frecuencia, la radio comenzará la sintonización desde el extremo opuesto de la banda de frecuencia.
7. Gire el control de sintonización para ajustar el nivel del volumen según sea necesario.

Nota:

- Mientras ajusta el volumen, asegúrese de que FM/AM NO están parpadeando en la pantalla.
 - Si AM/FM parpadean en pantalla, esto le permitirá sintonizar las emisoras manualmente (consulte la sección "Sintonización AM/FM manual" para más información).
 - El volumen no debe ser demasiado alto. Para evitar posibles daños auditivos, no escuche a niveles altos de volumen durante periodos prolongados.
8. Para apagar la radio, presione el botón de encendido.

Sintonización AM/FM manual

1. Presione el botón de encendido para encender la radio.
2. Presione el botón de fuente para seleccionar el modo de radio AM o FM.
3. Presione el control de sintonización y verá FM o AM parpadeando en pantalla.

Nota:

- FM/AM parpadearán aproximadamente durante 10 segundos. Durante este periodo, solo se permite la sintonización manual.
- Si desea ajustar el volumen mientras FM/AM están

parpadeando, presione el control de sintonización para detener el parpadeo y gire el control de sintonización para ajustar el nivel de volumen.

4. Gire el control de sintonización para sintonizar una emisora.
5. Cuando se llegue al final de la banda de frecuencia, la radio comenzará la sintonización desde el extremo opuesto de la banda de frecuencia.
6. Gire el control de sintonización para ajustar el nivel del volumen según sea necesario.

Presintonizar emisoras en modo AM/FM

Hay 5 presintonías de emisoras para radio AM y otras cinco para radio FM. Se usan de la misma manera en ambas bandas.

1. Presione el botón de encendido para encender la radio.
2. Presione el botón de fuente para seleccionar la banda de frecuencia deseada. Sintonice la emisora de radio deseada tal y como se describió anteriormente.
3. Mantenga presionado el botón de la presintonía deseada (de la 1 a la 5) hasta que en pantalla se muestre, por ejemplo, "P4" tras la frecuencia. La emisora se guardará en ese número de presintonía. Repita el procedimiento para las presintonías restantes como desee.
4. Las presintonías guardadas pueden sobrescribirse usando el procedimiento anterior si fuera necesario.

Modos de visualización - FM

La radio dispone de diferentes opciones de visualización para el modo de radio FM.

Presione repetidamente el botón de menú/información para ver la información RDS de la emisora que está escuchando.

- | | |
|--------------------------|--|
| a. Nombres de la emisora | Muestra el nombre de la emisora que está escuchando. |
| b. Tipo de programa | Muestra el tipo de emisora que está escuchando como pop, clásica, noticias, etc. |
| c. Texto de la radio | Muestra mensajes de texto de la radio como nuevos artículos, etc. |
| d. Año/día | Muestra el año y el día de la semana según la fecha configurada en su radio. |
| e. Fecha/día | Muestra la fecha y el día de la semana según la fecha configurada en su radio. |
| f. Modo del ecualizador | Muestra el modo del ecualizador de la emisora FM que está escuchando. |
| g. Frecuencia | Muestra la frecuencia de la emisora FM que está escuchando. |

FM estéreo (automático)/mono

Si la emisora de radio FM que está escuchando tiene una señal débil, puede que escuche algunos silbidos. Es posible reducir estos silbidos forzando a la radio reproducir la emisora en mono en vez de estéreo.

1. Presione el botón de fuente según necesite para seleccionar la banda FM y sintonice la emisora FM deseada como se describió anteriormente.
2. Mantenga presionado el botón de menú/información para acceder al menú de ajustes.
3. Gire el control de sintonización hasta que en pantalla aparezca el ajuste de "FM AUTO (o MONO)". Si el ajuste es "AUTO", presione el control de sintonización y a continuación, gire el control de sintonización para cambiar al modo mono para reducir los silbidos. Presione el control de sintonización para seleccionar la opción.

Seleccionar una presintonía en modo AM/FM

1. Presione el botón de encendido para encender la radio.
2. Presione el botón de fuente para seleccionar el modo de radio AM o FM.
3. Presione momentáneamente el botón de presintonía deseada para sintonizar su radio a una de las emisoras guardadas en las presintonías de memoria.

OTROS AJUSTES

Configurar el formato de la hora y fecha

El reloj mostrado en pantalla en el modo de espera y en las pantallas del modo de reproducción se puede ajustar a otros formatos. El formato seleccionado se usa también al configurar las alarmas.

1. Mantenga presionado el botón de menú/información para acceder al menú de ajustes.
2. Gire el control de sintonización hasta que "CLOCK xxH" aparezca en pantalla y presione el control de sintonización para acceder a los ajustes. El formato de la hora comenzará a parpadear.
3. Gire el control de sintonización para seleccionar entre el formato de 12 o 24 horas. Presione el control de sintonización para confirmar su selección para el formato del reloj.

Nota:

Si selecciona el formato de 12 horas, la radio usará el reloj de 12 horas para los ajustes.

4. Mantenga presionado el botón de menú/información para acceder al menú de ajustes.
5. Gire el control de sintonización hasta que una fecha (por ejemplo, THU APR 3) aparezca en pantalla y presione el control de sintonización para acceder a los

- ajustes. El formato de la fecha comenzará a parpadear.
6. Gire el control de sintonización para seleccionar el formato de fecha deseado. Presione el control de sintonización para confirmar su selección.

Establecer la hora y fecha del reloj

1. Mantenga presionado el botón de menú/información.
2. Gire el control de sintonización hasta que "CLOCK ADJ" aparezca en pantalla. Presione el control de sintonización para acceder a los ajustes.
3. La hora parpadeará en pantalla. Gire el control de sintonización para seleccionar la hora deseada y presione el control de sintonización para confirmar los ajustes. A continuación, gire el control de sintonización para seleccionar el minuto deseado y presione el control de sintonización para confirmar los ajustes.
4. Gire el control de sintonización hasta que "DATE ADJ" aparezca en pantalla. Presione el control de sintonización para acceder a los ajustes.
5. Gire el control de sintonización para seleccionar el año deseado y presione el control de sintonización para confirmar los ajustes. A continuación, gire el control de sintonización para seleccionar el mes deseado y presione el control de sintonización para confirmar los ajustes. A continuación, gire el control de sintonización para seleccionar la fecha deseada y presione el control de sintonización para confirmar los ajustes.

Radio Data System (RDS)

Cuando ajusta el reloj usando la función RDS, la radio sincronizará la hora del reloj cada vez que sintonice una emisora de radio usando RDS con señales CT.

1. Cuando sintonice una emisora que transmite datos RDS, el símbolo RDS aparecerá en la pantalla. Mantenga presionado el botón de información/menú.
2. Gire el control de sintonización hasta que en pantalla aparezcan "RDS CT" y el símbolo del reloj. Presione el control de sintonización para acceder a los ajustes.
3. Gire el control de sintonización hasta que "RDS CT" aparezca en pantalla. Presione el control de sintonización para confirmar los ajustes. La hora del reloj se ajustará automáticamente según los datos RDS recibidos.

Nota:

- La hora del reloj será válida por 5 días cada vez que la hora de la radio se sincronice con RDS CT.
- Para deshabilitar la función de RDS CT, vuelva a los pasos del 1 al 2 y a continuación, gire el control de sintonización para seleccionar la opción "MANUAL". Presione el control de sintonización para confirmar los ajustes.

Establecer la alarma

La radio tiene dos alarmas que se pueden usar para despertarle usando la radio AM, FM o un zumbador. Las alarmas pueden establecerse cuando la radio esté en modo de espera o mientras está reproduciendo.

Nota:

Antes de establecer las alarmas, asegúrese de que la hora de la radio sea correcta. Si no presiona ningún botón durante 10 segundos, la radio saldrá de la configuración de las alarmas.

a. Establecer la hora de la alarma de radio:

1. La alarma de radio puede configurarse cuando la radio esté encendida o apagada.
2. Mantenga presionado el botón de alarma de radio. El símbolo de la alarma de radio y la hora parpadearán. También escuchará un pitido.
3. Mientras parpadea el símbolo de la alarma de radio, gire el control de sintonización para seleccionar la hora y presione de nuevo el control de sintonización para confirmar los ajustes de la hora. A continuación, gire el control de sintonización para seleccionar los minutos y presione el control de sintonización para confirmar los ajustes de los minutos.
4. Gire el control de sintonización y la pantalla mostrará las opciones de frecuencia para la alarma.
Las opciones de la alarma son:
ONCE – La alarma sonará una vez
DAILY – La alarma sonará a diario
WEEKDAY – La alarma solo sonará los días laborables (de lunes a viernes)
WEEKEND – La alarma solo sonará los fines de semana
Presione el control de sintonización para confirmar los ajustes.
5. Mientras parpadea el símbolo de la alarma de radio, gire el control de sintonización para seleccionar la banda y emisora deseada para el despertador. A continuación, presione el control de sintonización para confirmar la selección.
6. Gire el control de sintonización para seleccionar el volumen deseado y presione el control de sintonización para confirmar el volumen. La alarma de radio estará ya establecida.

Nota:

- Si no se selecciona la nueva emisora para la alarma de radio, se seleccionará la última emisora usada en la alarma.
- Si la emisora seleccionada para la alarma AM/FM no está disponible cuando suene la alarma, en su lugar se usará la alarma de zumbador.

b. Establecer la alarma de zumbador HWS (Sistema de despertar humano):

Se activará un pitido cuando seleccione la alarma de zumbador HWS.

El pitido de la alarma sonará menos tiempo cada 15 segundos durante un minuto seguido de un minuto de silencio antes de repetir el ciclo.

1. La alarma de zumbador se puede establecer con la radio encendida o apagada.
2. Mantenga presionado el botón de alarma de zumbador. El símbolo y la hora parpadearán. También escuchará un pitido.
3. Mientras parpadea el símbolo de la alarma de zumbador, gire el control de sintonización para seleccionar la hora y presione de nuevo el control de sintonización para confirmar los ajustes de la hora. A continuación, gire el control de sintonización para seleccionar los minutos y presione el control de sintonización para confirmar los ajustes de los minutos.
4. Gire el control de sintonización y la pantalla mostrará las opciones de frecuencia para la alarma.
Las opciones de la alarma son:
ONCE – La alarma sonará una vez
DAILY – La alarma sonará a diario
WEEKDAY – La alarma solo sonará los días laborables (de lunes a viernes)
WEEKEND – La alarma solo sonará los fines de semana
Presione el control de sintonización para confirmar los ajustes.

Nota:

No hay ajuste de volumen para la alarma de zumbador.

Detener el sonido de la alarma

Para cancelar una alarma que esté sonando, presione el botón de encendido.

Desactivar los ajustes de alarma

Para cancelar los ajustes de la alarma antes de que la alarma suene, mantenga presionado el botón de la alarma correspondiente hasta que el símbolo de la alarma desaparezca de la pantalla.

Función posponer

1. Al sonar la alarma, presionar cualquier botón, excepto el botón de encendido, silenciará la alarma por 5 minutos. En pantalla se mostrará "SNOOZE".
2. Para ajustar el tiempo de posposición, mantenga presionado el botón de menú/información para acceder al menú de ajustes.
3. Gire el control de sintonización hasta que en pantalla aparezca "SNOOZE X" y a continuación, presione el control de sintonización para acceder a los ajustes. Gire el control de sintonización para ajustar el tiempo de posposición entre 5, 10, 15 y 20 minutos. Presione el control de sintonización para confirmar los ajustes.

4. Para cancelar la posposición mientras la alarma está suspendida, presione el botón de encendido.

Apagado automático

La radio puede configurarse para que se apague automáticamente transcurrido un tiempo preestablecido. El apagado automático puede ajustarse a 60, 45, 30, 15, 120 y 90 minutos.

1. Mantenga presionado el botón de encendido para acceder a los ajustes del apagado automático. En pantalla se mostrará "SLEEP XX".
2. Continúe presionado el botón de encendido y las opciones del apagado automático irán apareciendo en pantalla. Pare cuando el ajuste de apagado automático deseado aparezca en pantalla. Los ajustes se guardarán y el LCD volverá a la pantalla normal.
3. Una vez transcurrido el tiempo preestablecido del apagado automático, la radio se apagará automáticamente. El icono de apagado automático se mostrará en pantalla indicando que la función está activa.
4. Para cancelar la función de apagado automático antes de que el tiempo preestablecido haya transcurrido, simplemente presione el botón de encendido para apagar la unidad manualmente.

Compensación

Puede conseguir una compensación para su radio en las frecuencias más bajas o altas ajustando la función de compensación.

1. Mantenga presionado el botón de menú/información para acceder al menú de ajustes.
2. Gire el control de sintonización hasta que en pantalla aparezca "LOUD ON" o "LOUD OFF". Presione el control de sintonización para acceder a los ajustes.
3. Gire el control de sintonización para seleccionar "ON" para activar la función de compensación. A continuación, presione el control de sintonización para confirmar los ajustes.
4. Para desactivar la función de compensación, seleccione "OFF" y presione el control de sintonización para confirmar los ajustes.

Función ecualizador

Alrededor del control de sintonización hay 7 tipos de indicadores LED de color para indicar los diferentes modos del ecualizador.

1. Presione el botón de encendido para encender la radio.
2. Presione el botón de control del ecualizador para acceder al menú de ajustes del ecualizador.
3. Gire el control de sintonización para seleccionar el modo deseado. A continuación, presione el control de sintonización para confirmar la selección.

| Modo del ecualizador | Indicador LED |
|----------------------|---------------|
| PLANO | Blanco |
| JAZZ | Azul |
| ROCK | Rojo |
| CLÁSICA | Marrón |
| POP | Rosa |
| NOTICIAS | Amarillo |
| MI ECUALIZADOR | Verde |

Configurar el perfil de Mi ecualizador

1. Presione el botón de control del ecualizador para acceder al menú de ajustes del ecualizador.
2. Gire el control de sintonización para seleccionar "MY EQ". A continuación, presione el control de sintonización para acceder a los ajustes de "BASS" (graves).
3. Gire el control de sintonización para seleccionar el nivel de graves deseado. Presione el control de sintonización para acceder a los ajustes de "MIDDLE" (medios).
4. Gire el control de sintonización para seleccionar el nivel de medios deseado. Presione el control de sintonización para acceder a los ajustes de "TREBLE" (agudos).
5. Gire el control de sintonización para seleccionar el nivel de agudos deseado. Presione el control de sintonización para confirmar los ajustes.

Nota:

Al usar el ecualizador para enfatizar los graves y escuchar a niveles altos de volumen, esto puede causar ruido y distorsión. En dicho caso, ajuste el volumen de la radio apropiadamente.

ESCUCHAR MÚSICA A TRAVÉS DE TRANSMISIÓN BLUETOOTH

Antes de poder enlazarse automáticamente para reproducir/transmitir música Bluetooth a través de la radio, necesita vincular su dispositivo Bluetooth con la radio. La vinculación crea un "vínculo" para que dos dispositivos se reconozcan mutuamente.

Nota:

- Para tener una mejor calidad de sonido, recomendamos que ajuste el volumen en su dispositivo Bluetooth a más de dos tercios y a continuación, ajuste el volumen en la radio como necesite.
- MR006G puede memorizar hasta 8 dispositivos emparejados. Cuando la memoria exceda esta cantidad, el primero de los dispositivos emparejados será sobrescrito.

Vincular su dispositivo Bluetooth por vez primera

1. Presione el botón de encendido para encender la radio. Presione el botón de fuente para seleccionar el modo Bluetooth. En pantalla aparecerá "BT PAIR" y "PAIR" parpadeará en pantalla.
2. Active el Bluetooth de su dispositivo según su manual del usuario para enlazar con la radio. Localice la lista de dispositivos Bluetooth y seleccione el que lleve por nombre "MR006G". (Algunos dispositivos móviles equipados con versiones de Bluetooth anteriores a la BT2.1, puede que sea necesario introducir las contraseñas "0000").
3. Una vez conectado, habrá un sonido de confirmación. "BLUETOOTH" permanecerá en la pantalla y la retroiluminación se apagará en 10 segundos. Ahora puede simplemente seleccionar y reproducir cualquier música desde su dispositivo fuente. El control del volumen puede ajustarse desde el dispositivo fuente o directamente desde la radio.
4. Use los controles de su dispositivo con función de Bluetooth o los de la radio para reproducir/dejar en pausa y navegar por las pistas.

Nota:

- Si dos dispositivos Bluetooth, vinculándose por primera vez, buscan la radio, este se mostrará disponible para ambos dispositivos. Sin embargo, si un dispositivo se enlaza con esta unidad primero, entonces el otro dispositivo Bluetooth no lo encontrará en la lista.
- Si su dispositivo Bluetooth se desconecta temporalmente de su radio, entonces, deberá reconectar su dispositivo a la radio de forma manual.
- Si "MR006G" aparece en la lista de su dispositivo Bluetooth, pero no puede conectarse a él, borre el elemento de la lista y vincule de nuevo el dispositivo con la radio, siguiendo los pasos descritos anteriormente.
- El rango óptimo de transmisión Bluetooth es de aproximadamente 10 metros (33 pies) (campo visual) a la radio, pero una distancia de hasta 30 metros (100 pies) es posible.
- Si se pierde la conexión Bluetooth debido a un exceso del tiempo de separación, de la distancia óptima, obstáculos u otros motivos, puede que sea necesario volver a conectar el dispositivo con la radio.
- Objetos físicos, otros dispositivos inalámbricos o dispositivos electromagnéticos pueden afectar la calidad de la conexión.
- La capacidad de la conectividad Bluetooth podría variar dependiendo del dispositivo Bluetooth que se haya conectado. Por favor, consulte las especificaciones Bluetooth de su dispositivo antes de conectarlo a su radio. Puede que no todas las funciones estuvieran disponibles en algunos dispositivos Bluetooth.

Reproducción de archivos de audio en el modo Bluetooth

Cuando haya conectado su radio con el dispositivo Bluetooth que haya elegido, ya podrá comenzar a reproducir su música usando los controles del dispositivo Bluetooth al que se haya conectado.

1. Una vez que la reproducción haya comenzado, ajuste el volumen al nivel deseado usando los botones de volumen en su radio o en su dispositivo Bluetooth.
2. Use los controles en el dispositivo fuente Bluetooth para reproducir/pausar y recorrer las pistas. Alternativamente, controle la reproducción usando los botones de reproducir/pausar, siguiente pista y pista anterior en la radio.
3. Mantenga presionado el botón de siguiente pista o pista anterior para moverse a través de la pista actual. Suelte el botón cuando alcance el punto deseado.

Nota:

- Es posible que algunas aplicaciones o dispositivos de los reproductores no respondan a todos estos controles.
- Algunos teléfonos móviles puede que se desconecten temporalmente de su radio al realizar o recibir llamadas. Algunos dispositivos puede que silencien temporalmente su transmisión de audio por Bluetooth cuando reciben mensajes de texto, correos electrónicos o por otros motivos ajenos a la transmisión de audio. Ese comportamiento es una función del dispositivo conectado y no indica un fallo en su radio.

Reproducir un dispositivo fuente Bluetooth previamente vinculado

Si su dispositivo Bluetooth hubiera sido emparejado con la radio anteriormente, la unidad memorizará su dispositivo Bluetooth e intentará reconectarse con el dispositivo de la memoria con el que se conectó por última vez. Si el último dispositivo con el que se conectó no estuviera disponible, la radio será reconocible.

Desconexión de su dispositivo Bluetooth

Mantenga presionado el botón de vinculación Bluetooth durante 2-3 segundos hasta que "BT PAIR" se muestre en pantalla o desactive el Bluetooth en su dispositivo Bluetooth para desactivar la conexión. También puede presionar el botón de fuente para seleccionar otro modo que no sea el modo Bluetooth para desactivar la conexión.

Borrar la memoria de dispositivos Bluetooth vinculados

Para borrar la memoria de todos los dispositivos vinculados, mantenga presionado el botón de vinculación Bluetooth durante más de 5 segundos hasta que "CLEARING" se muestre en pantalla.

TOMA DE ENTRADA AUXILIAR

En la parte frontal de la radio se encuentra una toma de entrada auxiliar de 3,5mm para permitir la entrada de una señal de audio desde un dispositivo de audio externo como un reproductor de MP3 o CD.

1. Conecte una fuente de audio externa (por ejemplo, un reproductor de MP3 o CD) a la toma de entrada auxiliar.
2. Presione el botón de encendido para encender la radio.
3. Presione y suelte repetidamente el botón de fuente hasta que se muestre "AUX IN".
4. Para tener una mejor calidad de sonido, recomendamos poner el volumen a más de dos tercios en su dispositivo de audio y a continuación, ajustar el volumen de la radio según necesite.

NOTA:

El cable de audio no está incluido como accesorio estándar.

MANTENIMIENTO

⚠ PRECAUCIÓN:

- Nunca utilice gasolina, benceno, disolvente, alcohol o un producto similar. Se puede provocar una decoloración, una deformación o grietas.
- No lave la radio con agua.

ESPECIFICACIONES

| Requisitos de alimentación | |
|------------------------------|--|
| Adaptador de alimentación CA | DC 12V 2.5A, clavija central positiva |
| Batería | 2 UM-3 (tamaño AA) para respaldo |
| Batería deslizante | 10.8V - 36V |
| Cobertura de frecuencias | FM 87.50-108 MHz (0.05MHz/intervalo) AM (MW) 522-1,710 kHz (9kHz/intervalo) |

| Bluetooth® | |
|---|--|
| (La palabra Bluetooth® y los logotipos son marcas comerciales registradas propiedad de Bluetooth SIG, Inc.) | |
| Versión de Bluetooth | 5.0 certificado |
| Perfiles Bluetooth | A2DP/SCMS-T/AVRCP |
| Alimentación de transmisión | Power Class 2 |
| Alcance de transmisión | Óptima: 10 metros máximo (33 pies) Posible: 30 metros máximo (100 pies) (varía en función de las condiciones de uso) |
| Códec admitido | SBC |
| Perfil Bluetooth compatible | A2DP/AVRCP |
| Potencia máxima de radiofrecuencia | BT EDR: 3.887dBm |
| Frecuencia de funcionamiento | 2402MHz~2480MHz |

| Característica del circuito | |
|------------------------------------|---|
| Altavoz | 2.5 pulgadas 8 ohm x 2 4 pulgadas 6 ohm x 1 |
| Alimentación de salida | 10.8V-12V máx: 2W X 2 + 10W 14.4V: 3W X 2 + 15W 18V: 5W X 2 + 25W 36V: 5W X 2 + 25W |
| Terminal de entrada | 3,5mm diámetro (AUX IN) |
| Sistema de antena | FM: Antena integrada AM: Antena de barra |
| Dimensiones (Largo x Ancho x Alto) | 285 x 172 x 305mm |
| Peso | 5.5Kg (sin batería) |

Makita Corporation
3-11-8, Sumiyoshi-cho,
Anjo, Aichi 446-8502 Japan

GRM03-NA2-2012
3A81e15Z10000

www.makita.com

SJN