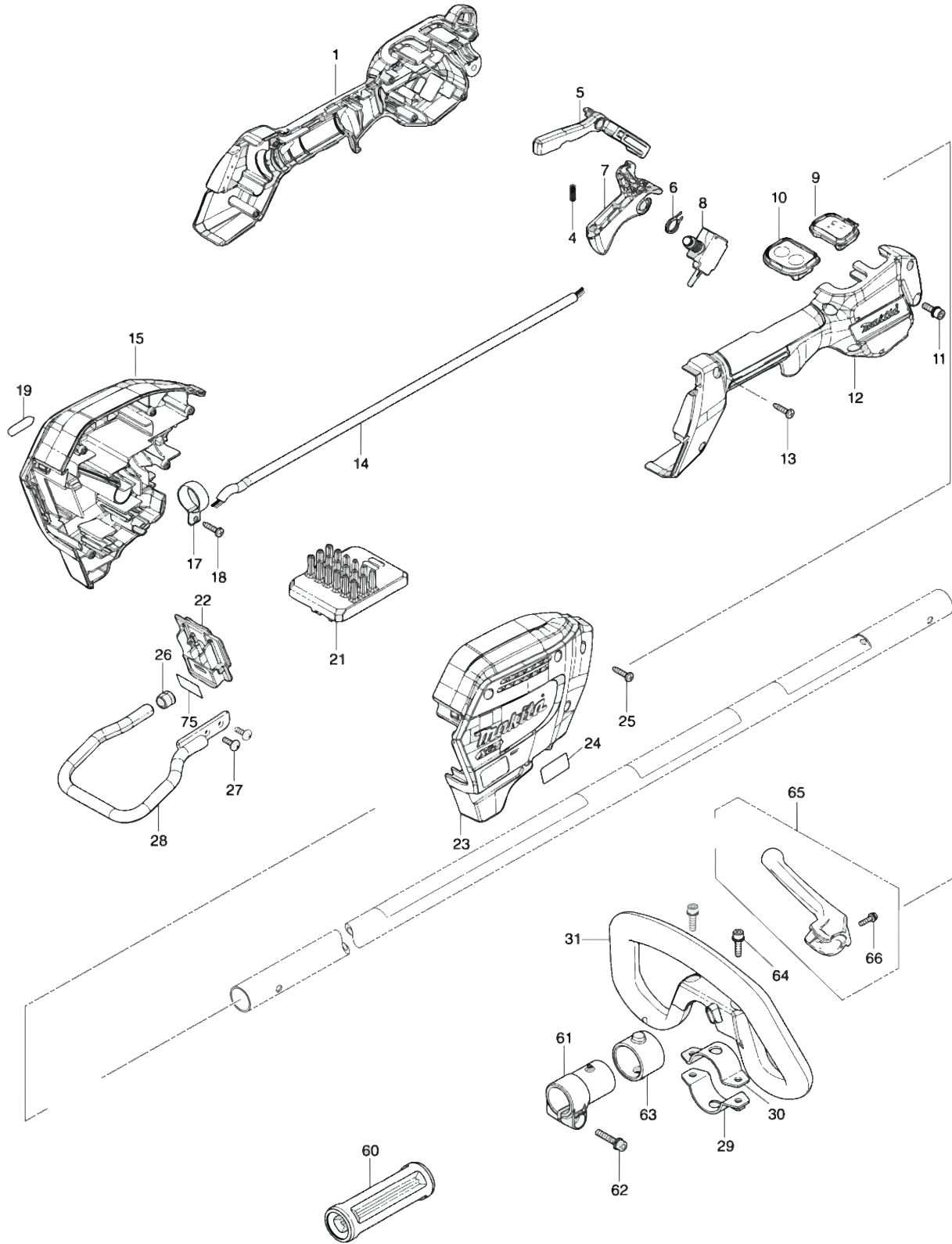


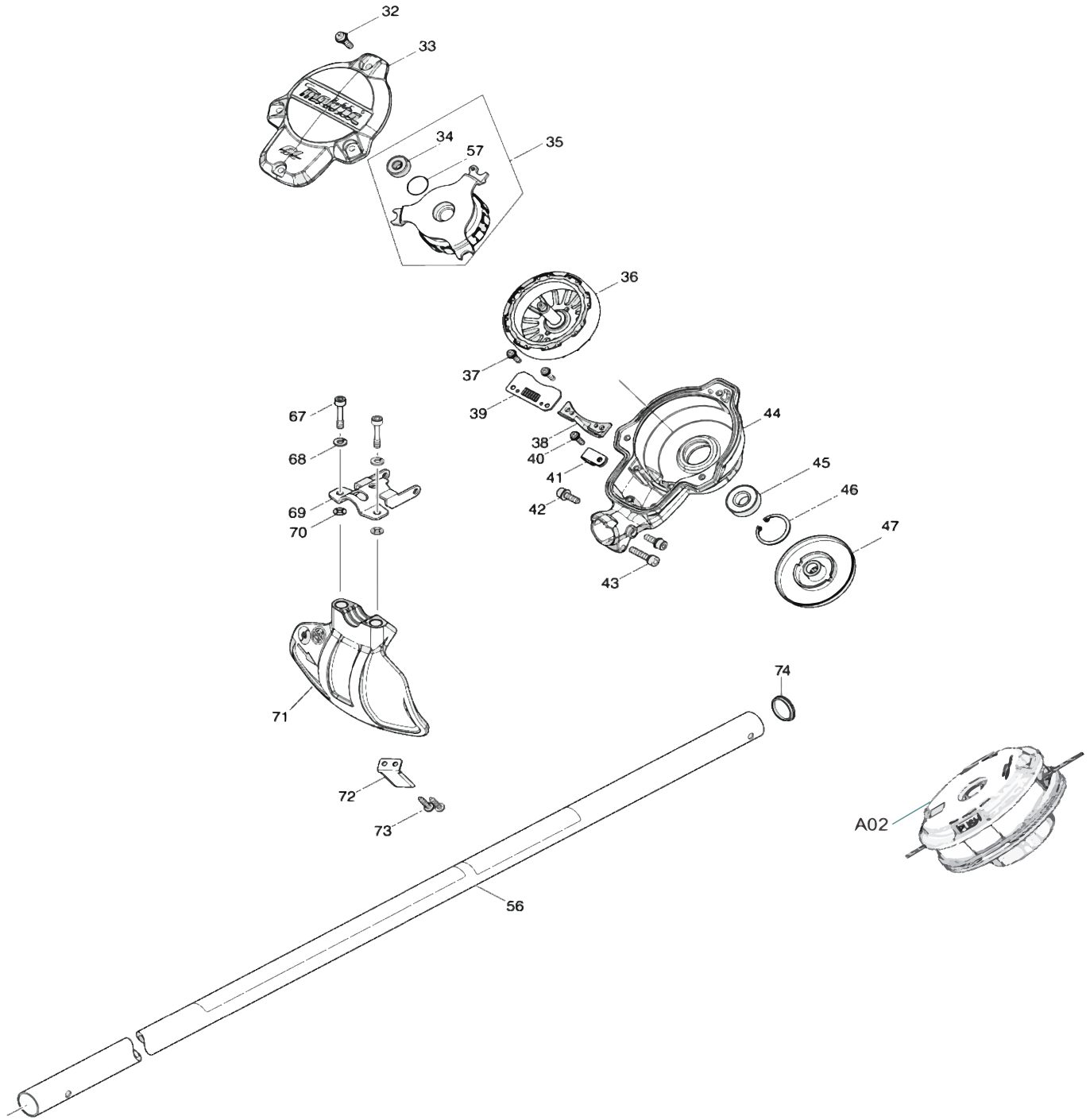


GRU01



Products with multiple versions are listed in subsiding order with the newest version on top not indented.

Section	Fig. No.	Part No.	Description	GRU01	Tech Bulletin	Notes
1	1	183S36-9	GRIP SET	1		INC. 12
1	4	233101-1	COMPRESSION SPRING 4	1		
1	5	459759-0	LOCK OFF LEVER	1		
1	6	233622-3	TORSION SPRING 12	1		
1	7	459758-2	SWITCH LEVER	1		
1	8	651492-2	SWITCH C3JR-1A-PAXD3	1		
1	9	141B32-1	INDICATION CIRCUIT COMPLETE E	1		
1	10	140W06-5	SWITCH CIRCUIT COMPLETE G	1		
1	11	922233-6	H.S.H.BOLT M5X20 WITH WR	1		
1	12	183S36-9	GRIP SET	1		INC. 1
1	13	266326-2	TAPPING SCREW 4X18	6		
1	14	699159-4	POWER SUPPLY CORD UNIT	1		
1	15	183S34-3	HOUSING SET	1		INC. 23
1	17	346248-3	CLAMP 24	1		
1	18	266326-2	TAPPING SCREW 4X18	1		
1	21	620J68-6	CONTROLLER	1	DC879	Sept 2021>
1	21	620E70-9	CONTROLLER	1		>Sept 2021
1	22	632P49-4	TERMINAL UNIT	1		
1	23	183S34-3	HOUSING SET	1		INC. 15
1	25	266326-2	TAPPING SCREW 4X18	5		
1	26	422230-7	CAP	1		
1	27	266420-0	TAPPING SCREW 5X20	2		
1	28	347752-5	BATTERY GUARD	1		
1	29	347114-7	LOWER CLAMP 35	1		
1	30	347113-9	UPPER CLAMP 35	1		
1	31	457267-5	LOOP HANDLE	1		
1	60	451601-1	SPACER 24	1		
1	61	457269-1	PIPE HOLDER 24	1		
1	62	922244-1	H.S.H.BOLT M5X25 WITH WG	1		
1	63	424942-8	DAMPER	1		
1	64	922234-4	H.S.H.BOLT M5X20 WITH WG	2		
1	65	144315-6	BARRIER COMPLETE	1		INC. 66
1	66	911128-8	P.H.SCREW M4X16 WITH WR	1		



Products with multiple versions are listed in subsiding order with the newest version on top not indented.

Section	Fig. No.	Part No.	Description	GRU01	Tech Bulletin	Notes
2	32	911233-1	PAN HEAD SCREW M5X20	4		
2	33	413335-4	TOP COVER	1		
2	34	211021-9	BALL BEARING 607ZZ	1		
2	34	210062-2	BALL BEARING 607ZZ	1		
2	35	520136-4	STATOR ASS'Y	1	DC879	Sept 2021> INC. 34,57
2	35	529146-8	STATOR ASS'Y	1		>Sept 2021 INC. 34, 57
2	36	619462-7	ROTOR	1		
2	37	911128-8	P.H.SCREW M4X16 WITH WR	2		
2	38	455628-3	INNER COVER	1		
2	39	620E48-2	CONTROLLER B	1		
2	40	911128-8	P.H.SCREW M4X16 WITH WR	1		
2	41	687042-7	STRAIN RELIEF	1		
2	42	922223-9	H.S.H.BOLT M5X16 WITH WR	2		
2	43	922241-7	HEX. SOCKET HEAD BOLT M5X25	1		
2	44	141A05-8	MOTOR HOUSING COMPLETE	1		
2	45	211131-2	BALL BEARING 6001DDW	1		
2	46	962106-1	RETAINING RING R-28	1		
2	47	140L84-9	RECEIVE WASHER COMPLETE G	1		
2	56	141B09-6	PIPE COMPLETE L	1		
2	57	213325-5	O RING 19	1		
2	67	266579-3	HEX SOCKET HEAD BOLT M6X30	2		
2	68	253428-3	SPRING WASHER 6	2		
2	69	346073-2	PROTECTOR CLAMP	1		
2	70	413143-3	WASHER	2		
2	71	459504-3	PROTECTOR N 380	1		
2	72	346855-2	CUTTER	1		
2	73	266326-2	TAPPING SCREW 4X18	2		
2	74	422727-6	RUBBER CAP	1		
2	A02	191R00-0	TRIMMER HEAD	2		