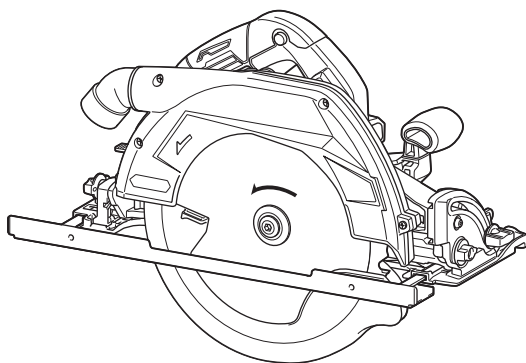


**INSTRUCTION MANUAL
MANUAL DE INSTRUCCIONES**



Cordless Circular Saw Sierra Circular Inalámbrica

GSH04



IMPORTANT: Read Before Using.

IMPORTANTE: Lea antes de usar.

SPECIFICATIONS

Model:		GSH04
Blade diameter		260 mm (10-1/4")
Max. Cutting depth	at 0°	97 mm (3-13/16")
	at 45° bevel	68 mm (2-11/16")
	at 60° bevel	48 mm (1-7/8")
No load speed		3,500 /min
Overall length		453 mm (17-7/8")
Rated voltage		D.C. 36 V - 40 V max
Net weight		5.5 - 6.7 kg (12.1 - 14.8 lbs)

- Due to our continuing program of research and development, the specifications herein are subject to change without notice.
- Specifications and battery cartridge may differ from country to country.
- The weight may differ depending on the attachment(s), including the battery cartridge. The lightest and heaviest combinations, according to EPTA-Procedure 01/2014, are shown in the table.

Applicable battery cartridge and charger

Battery cartridge	BL4020 / BL4025 / BL4040 / BL4050F* / BL4080F* *: Recommended battery
Charger	DC40RA / DC40RB / DC40RC

- Some of the battery cartridges and chargers listed above may not be available depending on your region of residence.

⚠ WARNING: Only use the battery cartridges and chargers listed above. Use of any other battery cartridges and chargers may cause injury and/or fire.

SAFETY WARNINGS

General power tool safety warnings

⚠ WARNING: Read all safety warnings, instructions, illustrations and specifications provided with this power tool. Failure to follow all instructions listed below may result in electric shock, fire and/or serious injury.

Save all warnings and instructions for future reference.

The term "power tool" in the warnings refers to your mains-operated (corded) power tool or battery-operated (cordless) power tool.

Work area safety

1. **Keep work area clean and well lit.** Cluttered or dark areas invite accidents.
2. **Do not operate power tools in explosive atmospheres, such as in the presence of flammable liquids, gases or dust.** Power tools create sparks which may ignite the dust or fumes.
3. **Keep children and bystanders away while operating a power tool.** Distractions can cause you to lose control.

Electrical Safety

1. **Power tool plugs must match the outlet. Never modify the plug in any way. Do not use any adapter plugs with earthed (grounded) power tools.** Unmodified plugs and matching outlets will reduce risk of electric shock.
2. **Avoid body contact with earthed or grounded surfaces, such as pipes, radiators, ranges and refrigerators.** There is an increased risk of electric shock if your body is earthed or grounded.
3. **Do not expose power tools to rain or wet conditions.** Water entering a power tool will increase the risk of electric shock.
4. **Do not abuse the cord. Never use the cord for carrying, pulling or unplugging the power tool. Keep cord away from heat, oil, sharp edges or moving parts.** Damaged or entangled cords increase the risk of electric shock.
5. **When operating a power tool outdoors, use an extension cord suitable for outdoor use.** Use of a cord suitable for outdoor use reduces the risk of electric shock.
6. **If operating a power tool in a damp location is unavoidable, use a ground fault circuit interrupter (GFCI) protected supply.** Use of a GFCI reduces the risk of electric shock.

7. **Power tools can produce electromagnetic fields (EMF) that are not harmful to the user.** However, users of pacemakers and other similar medical devices should contact the maker of their device and/or doctor for advice before operating this power tool.

Personal Safety

1. **Stay alert, watch what you are doing and use common sense when operating a power tool. Do not use a power tool while you are tired or under the influence of drugs, alcohol or medication.** A moment of inattention while operating power tools may result in serious personal injury.
2. **Use personal protective equipment. Always wear eye protection.** Protective equipment such as dust mask, non-skid safety shoes, hard hat, or hearing protection used for appropriate conditions will reduce personal injuries.
3. **Prevent unintentional starting. Ensure the switch is in the off-position before connecting to power source and/or battery pack, picking up or carrying the tool.** Carrying power tools with your finger on the switch or energising power tools that have the switch on invites accidents.
4. **Remove any adjusting key or wrench before turning the power tool on.** A wrench or a key left attached to a rotating part of the power tool may result in personal injury.
5. **Do not overreach. Keep proper footing and balance at all times.** This enables better control of the power tool in unexpected situations.
6. **Dress properly. Do not wear loose clothing or jewellery. Keep your hair, clothing and gloves away from moving parts.** Loose clothes, jewellery or long hair can be caught in moving parts.
7. **If devices are provided for the connection of dust extraction and collection facilities, ensure these are connected and properly used.** Use of dust collection can reduce dust-related hazards.
8. **Do not let familiarity gained from frequent use of tools allow you to become complacent and ignore tool safety principles.** A careless action can cause severe injury within a fraction of a second.
9. **Always wear protective goggles to protect your eyes from injury when using power tools. The goggles must comply with ANSI Z87.1 in the USA. It is an employer's responsibility to enforce the use of appropriate safety protective equipment by the tool operators and by other persons in the immediate working area.**

Power tool use and care

1. **Do not force the power tool. Use the correct power tool for your application.** The correct power tool will do the job better and safer at the rate for which it was designed.
2. **Do not use the power tool if the switch does not turn it on and off.** Any power tool that cannot be controlled with the switch is dangerous and must be repaired.
3. **Disconnect the plug from the power source and/or remove the battery pack, if detachable, from the power tool before making any adjustments, changing accessories, or storing power tools.** Such preventive safety measures reduce the risk of starting the power tool accidentally.

4. **Store idle power tools out of the reach of children and do not allow persons unfamiliar with the power tool or these instructions to operate the power tool.** Power tools are dangerous in the hands of untrained users.
5. **Maintain power tools and accessories. Check for misalignment or binding of moving parts, breakage of parts and any other condition that may affect the power tool's operation. If damaged, have the power tool repaired before use.** Many accidents are caused by poorly maintained power tools.
6. **Keep cutting tools sharp and clean.** Properly maintained cutting tools with sharp cutting edges are less likely to bind and are easier to control.
7. **Use the power tool, accessories and tool bits etc. in accordance with these instructions, taking into account the working conditions and the work to be performed.** Use of the power tool for operations different from those intended could result in a hazardous situation.
8. **Keep handles and grasping surfaces dry, clean and free from oil and grease.** Slippery handles and grasping surfaces do not allow for safe handling and control of the tool in unexpected situations.
9. **When using the tool, do not wear cloth work gloves which may be entangled.** The entanglement of cloth work gloves in the moving parts may result in personal injury.

Battery tool use and care

1. **Recharge only with the charger specified by the manufacturer.** A charger that is suitable for one type of battery pack may create a risk of fire when used with another battery pack.
2. **Use power tools only with specifically designated battery packs.** Use of any other battery packs may create a risk of injury and fire.
3. **When battery pack is not in use, keep it away from other metal objects, like paper clips, coins, keys, nails, screws or other small metal objects, that can make a connection from one terminal to another.** Shorting the battery terminals together may cause burns or a fire.
4. **Under abusive conditions, liquid may be ejected from the battery; avoid contact. If contact accidentally occurs, flush with water. If liquid contacts eyes, additionally seek medical help.** Liquid ejected from the battery may cause irritation or burns.
5. **Do not use a battery pack or tool that is damaged or modified.** Damaged or modified batteries may exhibit unpredictable behaviour resulting in fire, explosion or risk of injury.
6. **Do not expose a battery pack or tool to fire or excessive temperature.** Exposure to fire or temperature above 130 °C may cause explosion.
7. **Follow all charging instructions and do not charge the battery pack or tool outside the temperature range specified in the instructions.** Charging improperly or at temperatures outside the specified range may damage the battery and increase the risk of fire.

Service

1. **Have your power tool serviced by a qualified repair person using only identical replacement parts.** This will ensure that the safety of the power tool is maintained.
2. **Never service damaged battery packs.** Service of battery packs should only be performed by the manufacturer or authorized service providers.
3. **Follow instruction for lubricating and changing accessories.**
4. **Do not modify or attempt to repair the appliance or the battery pack except as indicated in the instructions for use and care.**

Cordless circular saw safety warnings

Cutting procedures

1. **⚠️ DANGER: Keep hands away from cutting area and the blade. Keep your second hand on auxiliary handle, or motor housing.** If both hands are holding the saw, they cannot be cut by the blade.
2. **Do not reach underneath the workpiece.** The guard cannot protect you from the blade below the workpiece.
3. **Adjust the cutting depth to the thickness of the workpiece.** Less than a full tooth of the blade teeth should be visible below the workpiece.
4. **Never hold the workpiece in your hands or across your leg while cutting. Secure the workpiece to a stable platform.** It is important to support the work properly to minimise body exposure, blade binding, or loss of control.

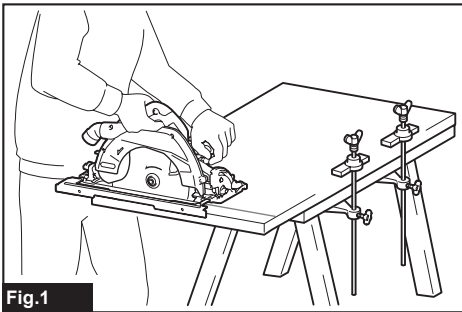


Fig.1

5. **Hold the power tool by insulated gripping surfaces, when performing an operation where the cutting tool may contact hidden wiring.** Contact with a "live" wire will also make exposed metal parts of the power tool "live" and could give the operator an electric shock.
6. **When ripping, always use a rip fence or straight edge guide.** This improves the accuracy of cut and reduces the chance of blade binding.
7. **Always use blades with correct size and shape (diamond versus round) of arbour holes.** Blades that do not match the mounting hardware of the saw will run off-centre, causing loss of control.

8. **Never use damaged or incorrect blade washers or bolt.** The blade washers and bolt were specially designed for your saw, for optimum performance and safety of operation.

Kickback causes and related warnings

- kickback is a sudden reaction to a pinched, jammed or misaligned saw blade, causing an uncontrolled saw to lift up and out of the workpiece toward the operator;
- when the blade is pinched or jammed tightly by the kerf closing down, the blade stalls and the motor reaction drives the unit rapidly back toward the operator;
- if the blade becomes twisted or misaligned in the cut, the teeth at the back edge of the blade can dig into the top surface of the wood causing the blade to climb out of the kerf and jump back toward the operator.

Kickback is the result of saw misuse and/or incorrect operating procedures or conditions and can be avoided by taking proper precautions as given below.

1. **Maintain a firm grip with both hands on the saw and position your arms to resist kickback forces. Position your body to either side of the blade, but not in line with the blade.** Kickback could cause the saw to jump backwards, but kickback forces can be controlled by the operator, if proper precautions are taken.
2. **When blade is binding, or when interrupting a cut for any reason, release the trigger and hold the saw motionless in the material until the blade comes to a complete stop. Never attempt to remove the saw from the work or pull the saw backward while the blade is in motion or kickback may occur.** Investigate and take corrective actions to eliminate the cause of blade binding.
3. **When restarting a saw in the workpiece, centre the saw blade in the kerf so that the saw teeth are not engaged into the material.** If a saw blade binds, it may walk up or kickback from the workpiece as the saw is restarted.
4. **Support large panels to minimise the risk of blade pinching and kickback.** Large panels tend to sag under their own weight. Supports must be placed under the panel on both sides, near the line of cut and near the edge of the panel.

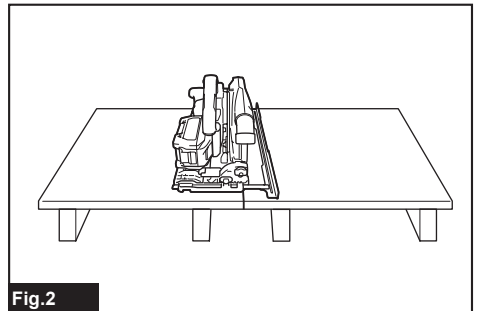


Fig.2

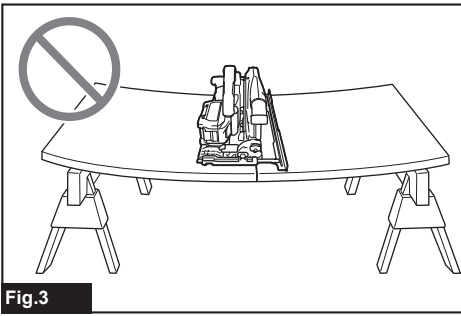


Fig.3

5. **Do not use dull or damaged blades.** Unsharpened or improperly set blades produce narrow kerf causing excessive friction, blade binding and kickback.
6. **Blade depth and bevel adjusting locking levers must be tight and secure before making the cut.** If blade adjustment shifts while cutting, it may cause binding and kickback.
7. **Use extra caution when sawing into existing walls or other blind areas.** The protruding blade may cut objects that can cause kickback.
8. **ALWAYS hold the tool firmly with both hands. NEVER place your hand, leg or any part of your body under the tool base or behind the saw, especially when making cross-cuts.** If kickback occurs, the saw could easily jump backwards over your hand, leading to serious personal injury.

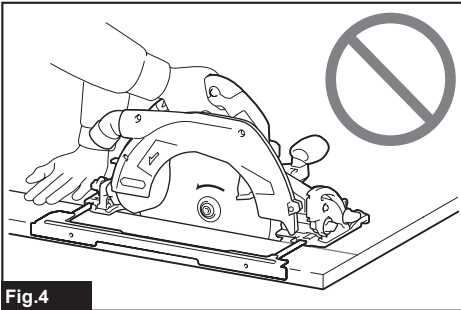


Fig.4

9. **Never force the saw. Push the saw forward at a speed so that the blade cuts without slowing.** Forcing the saw can cause uneven cuts, loss of accuracy, and possible kickback.

Lower guard function

1. **Check the lower guard for proper closing before each use. Do not operate the saw if the lower guard does not move freely and close instantly. Never clamp or tie the lower guard into the open position.** If the saw is accidentally dropped, the lower guard may be bent. Raise the lower guard with the retracting handle and make sure it moves freely and does not touch the blade or any other part, in all angles and depths of cut.
2. **Check the operation of the lower guard spring. If the guard and the spring are not operating properly, they must be serviced before use.** Lower guard may operate sluggishly due to damaged parts, gummy deposits, or a build-up of debris.
3. **The lower guard may be retracted manually only for special cuts such as "plunge cuts" and "compound cuts". Raise the lower guard by the retracting handle and as soon as the blade enters the material, the lower guard must be released.** For all other sawing, the lower guard should operate automatically.

4. **Always observe that the lower guard is covering the blade before placing the saw down on bench or floor.** An unprotected, coasting blade will cause the saw to walk backwards, cutting whatever is in its path. Be aware of the time it takes for the blade to stop after switch is released.
5. **To check lower guard, open lower guard by hand, then release and watch guard closure. Also check to see that retracting handle does not touch tool housing.** Leaving blade exposed is VERY DANGEROUS and can lead to serious personal injury.

Additional safety warnings

1. **Intended use**
This tool is intended to cut wood products by lengthways and crossways straight cuts and miter cuts with angles while in firm contact with the workpiece.
Accumulated sawdust on the lower guard and hub from other materials may effect the proper closure of the lower guard which could lead to serious personal injury.
2. **Use extra caution when cutting damp wood, pressure treated lumber, or wood containing knots.** Maintain smooth advancement of tool without decrease in blade speed to avoid overheating the blade tips.
3. **Do not attempt to remove cut material when blade is moving. Wait until blade stops before grasping cut material.** Blades coast after turn off.
4. **Avoid cutting nails. Inspect for and remove all nails from lumber before cutting.**
5. **Place the wider portion of the saw base on that part of the workpiece which is solidly supported, not on the section that will fall off when the cut is made. If the workpiece is short or small, clamp it down. DO NOT TRY TO HOLD SHORT PIECES BY HAND!**

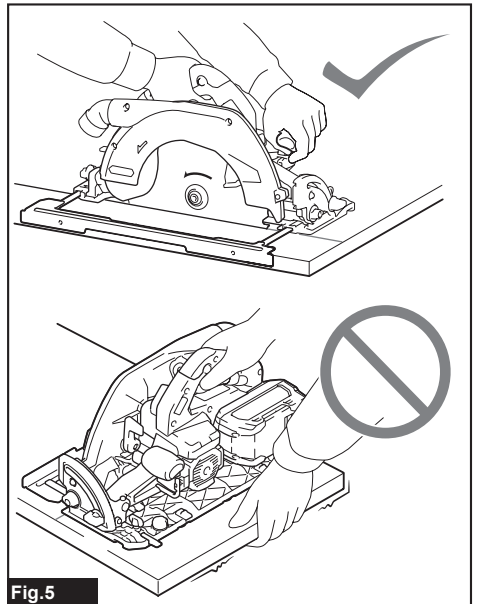


Fig.5

6. Before setting the tool down after completing a cut, be sure that the guard has closed and the blade has come to a complete stop.
7. Never attempt to saw with the circular saw held upside down in a vise. This is extremely dangerous and can lead to serious accidents.

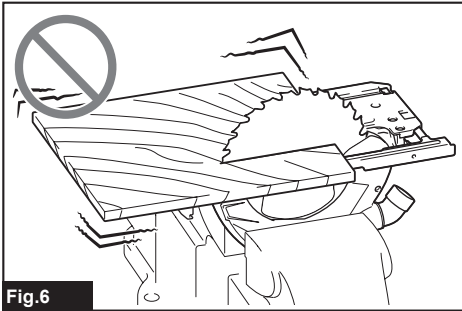


Fig.6

8. Some material contains chemicals which may be toxic. Take caution to prevent dust inhalation and skin contact. Follow material supplier safety data.
9. Do not stop the blades by lateral pressure on the saw blade.
10. Do not use any abrasive wheels.
11. Only use the saw blade with the diameter that is marked on the tool or specified in the manual. Use of an incorrectly sized blade may affect the proper guarding of the blade or guard operation which could result in serious personal injury.
12. Keep blade sharp and clean. Gum and wood pitch hardened on blades slows saw and increases potential for kickback. Keep blade clean by first removing it from tool, then cleaning it with gum and pitch remover, hot water or kerosene. Never use gasoline.
13. Wear a dust mask and hearing protection when use the tool.
14. Always use the saw blade intended for cutting the material that you are going to cut.
15. Only use the saw blades that are marked with a speed equal or higher than the speed marked on the tool.
16. Place the tool and the parts on a flat and stable surface. Otherwise the tool or the parts may fall and cause an injury.

SAVE THESE INSTRUCTIONS.

⚠WARNING: DO NOT let comfort or familiarity with product (gained from repeated use) replace strict adherence to safety rules for the subject product. MISUSE or failure to follow the safety rules stated in this instruction manual may cause serious personal injury.

Symbols

The followings show the symbols used for tool.

v	volts
— — —	direct current
n ₀	no load speed
.../min r/min	revolutions or reciprocation per minute
∅	diameter

Important safety instructions for battery cartridge

1. Before using battery cartridge, read all instructions and cautionary markings on (1) battery charger, (2) battery, and (3) product using battery.
2. Do not disassemble or tamper with the battery cartridge. It may result in a fire, excessive heat, or explosion.
3. If operating time has become excessively shorter, stop operating immediately. It may result in a risk of overheating, possible burns and even an explosion.
4. If electrolyte gets into your eyes, rinse them out with clear water and seek medical attention right away. It may result in loss of your eyesight.
5. Do not short the battery cartridge:
 - (1) Do not touch the terminals with any conductive material.
 - (2) Avoid storing battery cartridge in a container with other metal objects such as nails, coins, etc.
 - (3) Do not expose battery cartridge to water or rain.

A battery short can cause a large current flow, overheating, possible burns and even a breakdown.

6. Do not store and use the tool and battery cartridge in locations where the temperature may reach or exceed 50 °C (122 °F).
7. Do not incinerate the battery cartridge even if it is severely damaged or is completely worn out. The battery cartridge can explode in a fire.
8. Do not nail, cut, crush, throw, drop the battery cartridge, or hit against a hard object to the battery cartridge. Such conduct may result in a fire, excessive heat, or explosion.
9. Do not use a damaged battery.
10. The contained lithium-ion batteries are subject to the Dangerous Goods Legislation requirements.

For commercial transports e.g. by third parties, forwarding agents, special requirement on packaging and labeling must be observed.

For preparation of the item being shipped, consulting an expert for hazardous material is required. Please also observe possibly more detailed national regulations.

Tape or mask off open contacts and pack up the battery in such a manner that it cannot move around in the packaging.

11. **When disposing the battery cartridge, remove it from the tool and dispose of it in a safe place. Follow your local regulations relating to disposal of battery.**
12. **Use the batteries only with the products specified by Makita.** Installing the batteries to non-compliant products may result in a fire, excessive heat, explosion, or leak of electrolyte.
13. **If the tool is not used for a long period of time, the battery must be removed from the tool.**
14. **During and after use, the battery cartridge may take on heat which can cause burns or low temperature burns. Pay attention to the handling of hot battery cartridges.**
15. **Do not touch the terminal of the tool immediately after use as it may get hot enough to cause burns.**
16. **Do not allow chips, dust, or soil stuck into the terminals, holes, and grooves of the battery cartridge.** It may cause heating, catching fire, burst and malfunction of the tool or battery cartridge, resulting in burns or personal injury.
17. **Unless the tool supports the use near high-voltage electrical power lines, do not use the battery cartridge near a high-voltage electrical power lines.** It may result in a malfunction or breakdown of the tool or battery cartridge.
18. **Keep the battery away from children.**

SAVE THESE INSTRUCTIONS.

⚠CAUTION: Only use genuine Makita batteries. Use of non-genuine Makita batteries, or batteries that have been altered, may result in the battery bursting causing fires, personal injury and damage. It will also void the Makita warranty for the Makita tool and charger.

Tips for maintaining maximum battery life

1. **Charge the battery cartridge before completely discharged. Always stop tool operation and charge the battery cartridge when you notice less tool power.**
2. **Never recharge a fully charged battery cartridge. Overcharging shortens the battery service life.**
3. **Charge the battery cartridge with room temperature at 10 °C - 40 °C (50 °F - 104 °F). Let a hot battery cartridge cool down before charging it.**
4. **When not using the battery cartridge, remove it from the tool or the charger.**
5. **Charge the battery cartridge if you do not use it for a long period (more than six months).**

Important safety instructions for wireless unit

1. **Do not disassemble or tamper with the wireless unit.**
2. **Keep the wireless unit away from young children. If accidentally swallowed, seek medical attention immediately.**
3. **Use the wireless unit only with Makita tools.**
4. **Do not expose the wireless unit to rain or wet conditions.**
5. **Do not use the wireless unit in places where the temperature exceeds 50 °C (122 °F).**
6. **Do not operate the wireless unit in places where medical instruments, such as heart pace makers are nearby.**
7. **Do not operate the wireless unit in places where automated devices are nearby.** If operated, automated devices may develop malfunction or error.
8. **Do not operate the wireless unit in places under high temperature or places where static electricity or electrical noise could be generated.**
9. **The wireless unit can produce electromagnetic fields (EMF) but they are not harmful to the user.**
10. **The wireless unit is an accurate instrument. Be careful not to drop or strike the wireless unit.**
11. **Avoid touching the terminal of the wireless unit with bare hands or metallic materials.**
12. **Always remove the battery on the product when installing the wireless unit into it.**
13. **When opening the lid of the slot, avoid the place where dust and water may come into the slot. Always keep the inlet of the slot clean.**
14. **Always insert the wireless unit in the correct direction.**
15. **Do not press the wireless activation button on the wireless unit too hard and/or press the button with an object with a sharp edge.**
16. **Always close the lid of the slot when operating.**
17. **Do not remove the wireless unit from the slot while the power is being supplied to the tool.** Doing so may cause a malfunction of the wireless unit.
18. **Do not remove the sticker on the wireless unit.**
19. **Do not put any sticker on the wireless unit.**
20. **Do not leave the wireless unit in a place where static electricity or electrical noise could be generated.**
21. **Do not leave the wireless unit in a place subject to high heat, such as a car sitting in the sun.**
22. **Do not leave the wireless unit in a dusty or powdery place or in a place corrosive gas could be generated.**
23. **Sudden change of the temperature may bedew the wireless unit. Do not use the wireless unit until the dew is completely dried.**
24. **When cleaning the wireless unit, gently wipe with a dry soft cloth. Do not use benzine, thinner, conductive grease or the like.**

25. **When storing the wireless unit, keep it in the supplied case or a static-free container.**
26. **Do not insert any devices other than Makita wireless unit into the slot on the tool.**
27. **Do not use the tool with the lid of the slot damaged.** Water, dust, and dirt come into the slot may cause malfunction.
28. **Do not pull and/or twist the lid of the slot more than necessary.** Restore the lid if it comes off from the tool.
29. **Replace the lid of the slot if it is lost or damaged.**

SAVE THESE INSTRUCTIONS.

FUNCTIONAL DESCRIPTION

CAUTION: Always be sure that the tool is switched off and the battery cartridge is removed before adjusting or checking function on the tool.

Installing or removing battery cartridge

CAUTION: Always switch off the tool before installing or removing of the battery cartridge.

CAUTION: Hold the tool and the battery cartridge firmly when installing or removing battery cartridge. Failure to hold the tool and the battery cartridge firmly may cause them to slip off your hands and result in damage to the tool and battery cartridge and a personal injury.

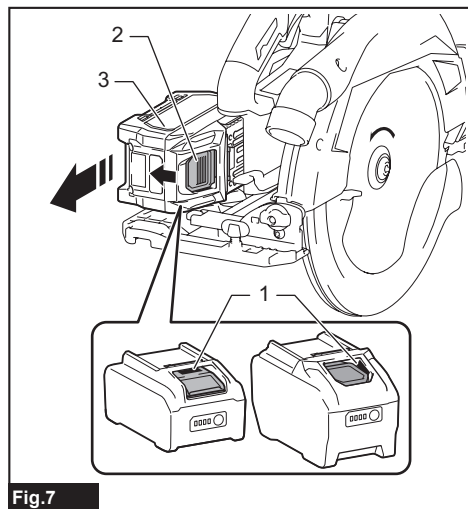


Fig.7

► 1. Red indicator 2. Button 3. Battery cartridge

To remove the battery cartridge, slide it from the tool while sliding the button on the front of the cartridge.

To install the battery cartridge, align the tongue on the battery cartridge with the groove in the housing and slip it into place. Insert it all the way until it locks in place with a little click. If you can see the red indicator as shown in the figure, it is not locked completely.

CAUTION: Always install the battery cartridge fully until the red indicator cannot be seen. If not, it may accidentally fall out of the tool, causing injury to you or someone around you.

CAUTION: Do not install the battery cartridge forcibly. If the cartridge does not slide in easily, it is not being inserted correctly.

Tool / battery protection system

The tool is equipped with a tool/battery protection system. This system automatically cuts off power to the motor to extend tool and battery life. The tool will automatically stop during operation if the tool or battery is placed under one of the following conditions.

Overload protection

When the tool/battery is operated in a manner that causes it to draw an abnormally high current, the tool automatically stops. In this situation, turn the tool off and stop the application that caused the tool to become overloaded. Then turn the tool on to restart.

Overheat protection

When the tool/battery is overheated, the tool stops automatically. In this situation, let the tool cool down before turning the tool on again.

NOTE: When the tool is overheated, the lamp blinks.

Overdischarge protection

When the battery capacity becomes low, the tool stops automatically. If the product does not operate even when the switches are operated, remove the batteries from the tool and charge the batteries.

Protections against other causes

Protection system is also designed for other causes that could damage the tool and allows the tool to stop automatically. Take all the following steps to clear the causes, when the tool has been brought to a temporary halt or stop in operation.

1. Turn the tool off, and then turn it on again to restart.
2. Charge the battery(ies) or replace it/them with recharged battery(ies).
3. Let the tool and battery(ies) cool down.

If no improvement can be found by restoring protection system, then contact your local Makita Service Center.

Indicating the remaining battery capacity

Press the check button on the battery cartridge to indicate the remaining battery capacity. The indicator lamps light up for a few seconds.

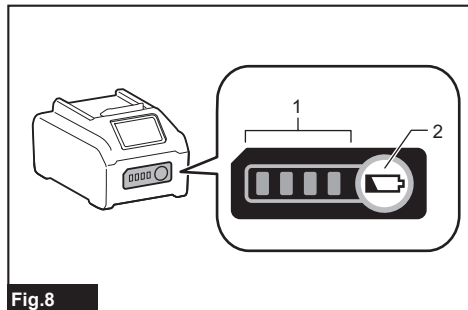


Fig.8

► 1. Indicator lamps 2. Check button

Indicator lamps			Remaining capacity
Lighted	Off	Blinking	
■ ■ ■ ■			75% to 100%
■ ■ ■ □			50% to 75%
■ ■ □ □			25% to 50%
■ □ □ □			0% to 25%
◐ □ □ □			Charge the battery.
■ ■ □ □			The battery may have malfunctioned.
□ □ ■ ■			

NOTE: Depending on the conditions of use and the ambient temperature, the indication may differ slightly from the actual capacity.

NOTE: The first (far left) indicator lamp will blink when the battery protection system works.

Switch action

⚠ WARNING: Before installing the battery cartridge into the tool, always check to see that the switch trigger actuates properly and returns to the "OFF" position when released.

⚠ WARNING: NEVER defeat the lock-off button by taping down or some other means. A switch with a negated lock-off button may result in unintentional operation and serious personal injury.

⚠ WARNING: NEVER use the tool if it runs when you simply pull the switch trigger without pressing the lock-off button. A switch in need of repair may result in unintentional operation and serious personal injury. Return tool to a Makita service center for proper repairs BEFORE further usage.

To prevent the switch trigger from being accidentally pulled, a lock-off button is provided. To start the tool, depress the lock-off button and pull the switch trigger. Release the switch trigger to stop.

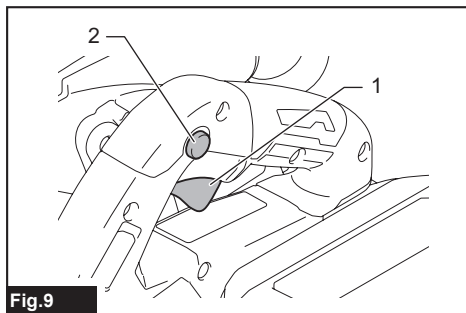


Fig.9

► 1. Switch trigger 2. Lock-off button

NOTICE: Do not pull the switch trigger hard without pressing in the lock-off button. This can cause switch breakage.

⚠ CAUTION: The tool starts to brake the circular saw blade rotation immediately after you release the switch trigger. Hold the tool firmly to respond the reaction of the brake when releasing the switch trigger. Sudden reaction can drop the tool off your hand and can cause a personal injury.

Adjusting depth of cut

⚠ CAUTION: After adjusting the depth of cut, always tighten the lever securely.

Loosen the lever on the depth guide and move the base up or down. At the desired depth of cut, secure the base by tightening the lever.

For cleaner, safer cuts, set cut depth so that no more than one blade tooth projects below workpiece. Using proper cut depth helps to reduce potential for dangerous KICKBACKS which can cause personal injury.

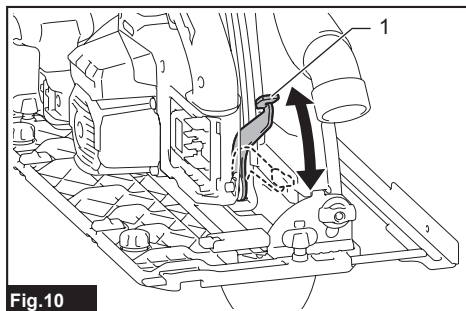


Fig.10

► 1. Lever

NOTICE: If the base doesn't slide up or down smoothly, the depth guide may have been tilted. In this case, adjust the depth guide (refer the section about adjusting the depth guide).

Bevel cutting

CAUTION: After adjusting the bevel angle, always tighten the clamping screws securely.

Loosen the clamping screws. Set for the desired angle by tilting accordingly, then tighten the clamping screws securely.

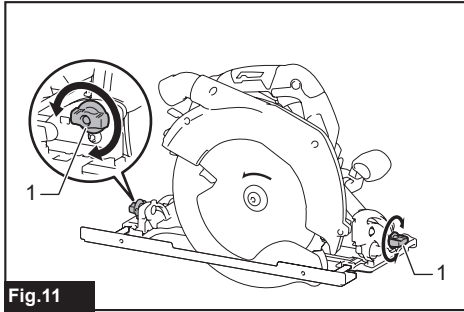


Fig.11

► 1. Clamping screw

Positive stopper

The positive stopper is useful for setting the designated angle quickly. Turn the positive stopper so that the arrow on it points your desired bevel angle (around 22.5°/45°/60°). Loosen the lever and then tilt the tool base until it stops. The position where the tool base stops is the angle you set with the positive stopper. Tighten the lever with the tool base at this position.

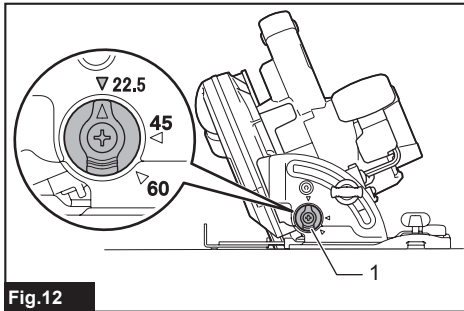


Fig.12

► 1. Positive stopper

-1°-bevel cutting

To perform -1°-bevel cutting, loosen the clamping screws and press the levers toward the direction of the arrow in the figure. Then set the bevel angle to -1° and tighten the clamping screws.

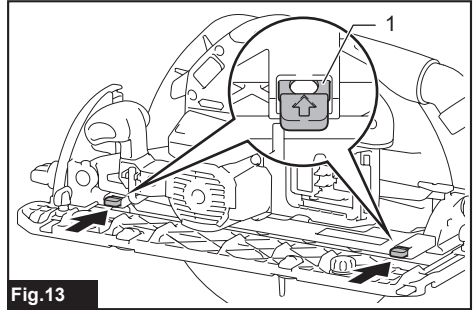


Fig.13

► 1. Lever

Sighting

For straight cuts, align the 0° position on the front of the base with your cutting line. For 45° bevel cuts, align the 45° position with it.

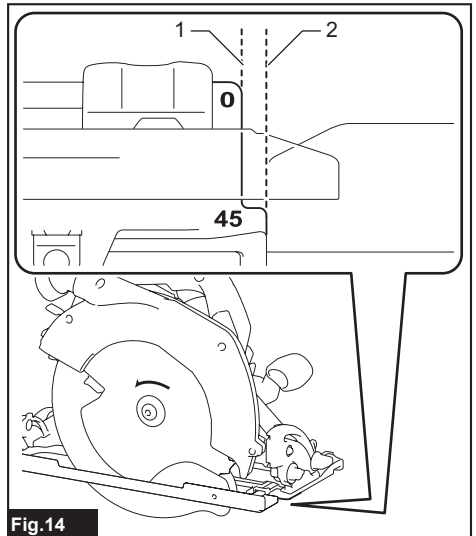


Fig.14

► 1. Cutting line (0° position) 2. Cutting line (45° position)

Lighting the lamp

CAUTION: Do not look in the light or see the source of light directly.

To turn on the lamp without running the tool, pull the switch trigger without pressing the lock-off button. To turn on the lamp with the tool running, press and hold the lock-off button and pull the switch trigger. The lamp goes out 10 seconds after releasing the switch trigger.

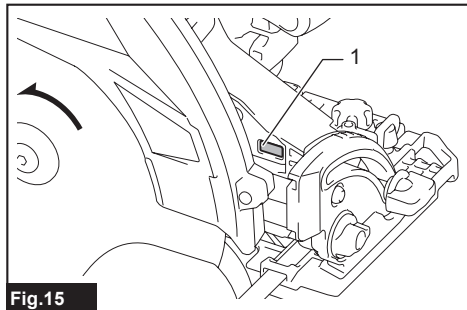


Fig.15

► 1. Lamp

NOTE: Use a dry cloth to wipe the dirt off the lens of the lamp. Be careful not to scratch the lens of lamp, or it may lower the illumination.

Electric brake

This tool is equipped with an electric blade brake. If the tool consistently fails to quickly stop the circular saw blade after switch lever release, have tool serviced at a Makita service center.

CAUTION: The blade brake system is not a substitute for blade guard. NEVER USE TOOL WITHOUT A FUNCTIONING BLADE GUARD. SERIOUS PERSONAL INJURY CAN RESULT.

Electronic function

The tools equipped with electronic function are easy to operate because of the following feature(s).

Soft start feature

Soft start because of suppressed starting shock.

Constant speed control

Electronic speed control for obtaining constant speed. Possible to get fine finish, because the rotating speed is kept constant even under load condition.

ASSEMBLY

CAUTION: Always be sure that the tool is switched off and the battery cartridge is removed before carrying out any work on the tool.

Hex wrench storage

When not in use, store the hex wrench as shown in the figure to keep it from being lost.

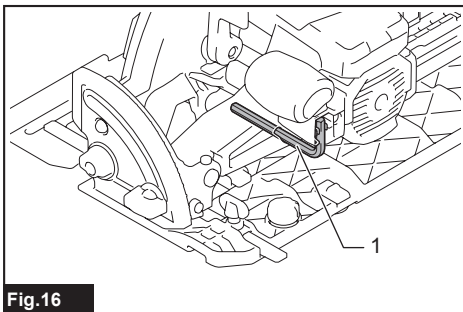


Fig.16

► 1. Hex wrench

Installing sub base

Install the sub base and tighten the clamping screws securely as shown in the figure.

Always use the tool with the sub base unless when using the guide rail.

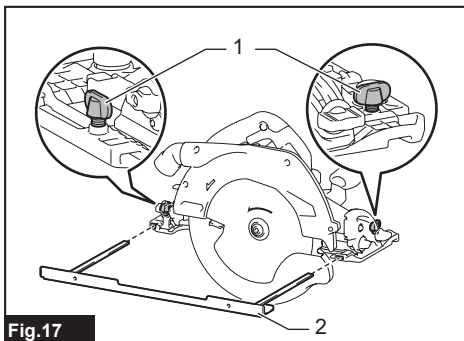


Fig.17

► 1. Clamping screw 2. Sub base

Installing or removing circular saw blade

CAUTION: Be sure the circular saw blade is installed with teeth pointing up at the front of the tool.

CAUTION: Use only the Makita wrench to install or remove the circular saw blade.

1. Loosen the lever on the depth guide and move the base down.

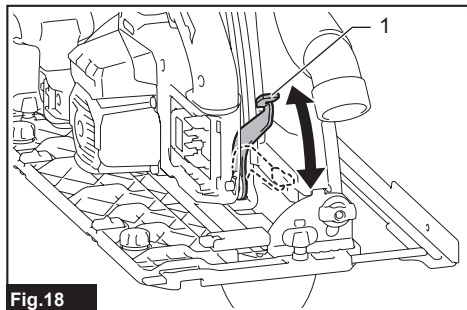


Fig.18

- 1. Lever

2. Install the inner flange, ring (country specific), circular saw blade, outer flange and hex bolt. At this time, align the direction of the arrow on the blade with the arrow on the tool.

For tool without the ring

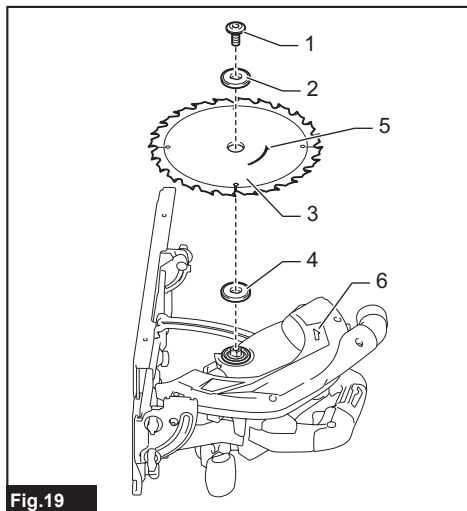


Fig.19

- 1. Hex bolt 2. Outer flange 3. Circular saw blade
4. Inner flange 5. Arrow on the circular saw blade
6. Arrow on the tool

For tool with the ring

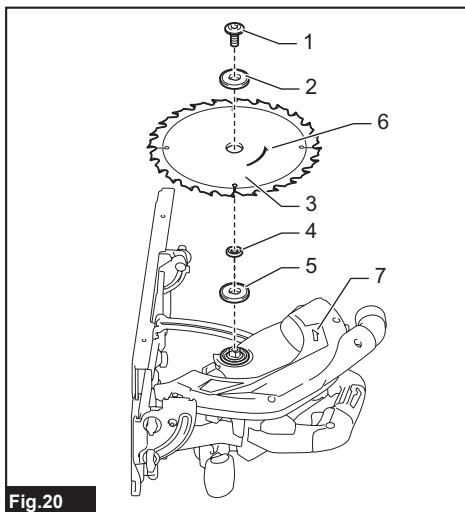


Fig.20

- 1. Hex bolt 2. Outer flange 3. Circular saw blade
4. Ring 5. Inner flange 6. Arrow on the circular saw blade
7. Arrow on the tool

3. Press the shaft lock fully so that the circular saw blade cannot revolve and use the hex wrench to tighten the hex bolt.

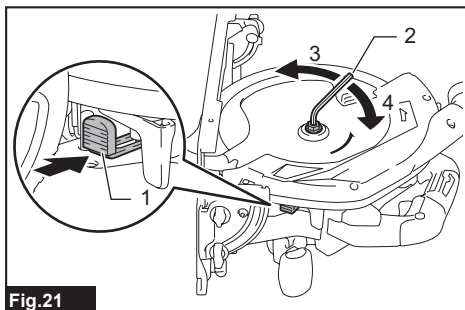


Fig.21

- 1. Shaft lock 2. Hex wrench 3. Loosen 4. Tighten

To remove the circular saw blade, follow the installation procedure in reverse.

Mount the inner flange with its recessed side facing outward onto the mounting shaft and then place circular saw blade (with the ring attached if needed), outer flange and hex bolt.

For tool without the ring

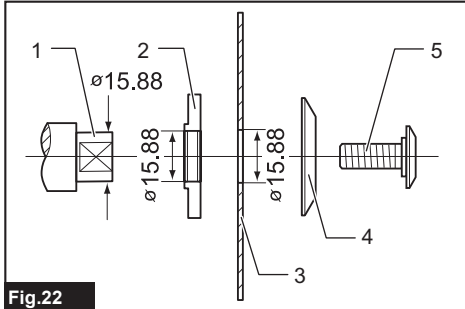


Fig.22

- ▶ 1. Mounting shaft 2. Inner flange 3. Circular saw blade 4. Outer flange 5. Hex bolt

For tool with the ring

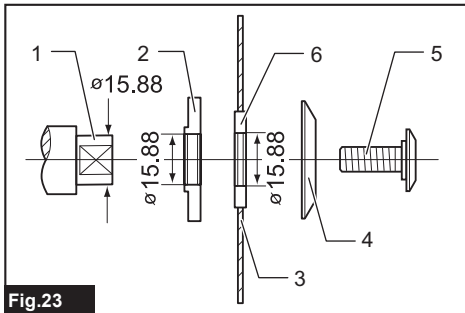


Fig.23

- ▶ 1. Mounting shaft 2. Inner flange 3. Circular saw blade 4. Outer flange 5. Hex bolt 6. Ring

⚠WARNING: BE SURE TO TIGHTEN THE HEX BOLT CLOCKWISE SECURELY. Also be careful not to tighten the bolt forcibly. Slipping your hand from the hex wrench can cause a personal injury.

⚠WARNING: If the ring is needed to mount the blade onto the spindle, always be sure that the correct ring for the blade's arbor hole you intend to use is installed between the inner and the outer flanges. Use of the incorrect arbor hole ring may result in the improper mounting of the blade causing blade movement and severe vibration resulting in possible loss of control during operation and in serious personal injury.

Blade guard cleaning

When changing the circular saw blade, make sure to also clean the upper and lower blade guards of accumulated sawdust as discussed in the Maintenance section. Such efforts do not replace the need to check lower guard operation before each use.

Connecting a vacuum cleaner

Optional accessory

When you wish to perform clean cutting operation, connect a Makita vacuum cleaner to your tool. Connect a hose of the vacuum cleaner to the dust nozzle using the front cuff 24.

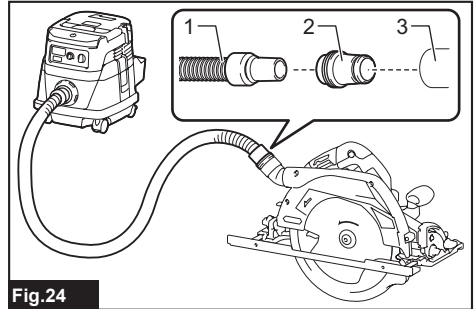


Fig.24

- ▶ 1. Hose of the vacuum cleaner 2. Front cuff 24 3. Dust nozzle

Adjusting angle of dust nozzle

The angle of the dust nozzle can be adjusted by rotating the dust nozzle.

When operating the tool without connecting a vacuum cleaner, bring the dust nozzle downward to prevent the operator from being exposed to sawdust.

When operating the tool with connecting a vacuum cleaner, bring the dust nozzle upward to keep the hose of the vacuum cleaner from getting caught in the work-piece or the guide rail.

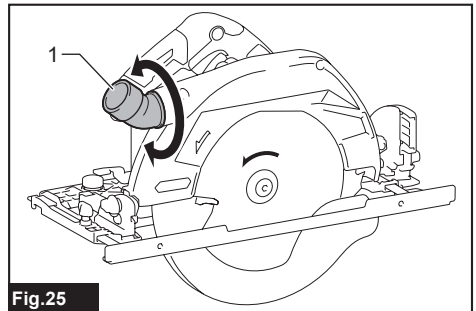


Fig.25

- ▶ 1. Dust nozzle

OPERATION

This tool is intended to cut wood products only. Refer to our website or contact your local Makita dealer for the correct circular saw blades to be used for the material to be cut.

Do not use the tool without the sub base unless when using the guide rail.

Checking blade guard function

Remove the battery cartridge. Set the bevel angle to 0°, and then retract the lower guard manually to the end and release it. The lower guard is properly functioning if;

- it is retracted above the base without any hindrance and;
- it automatically returns and contacts with the stopper.

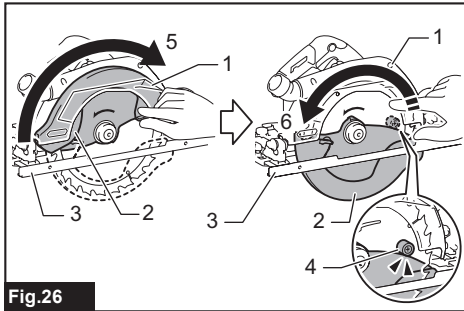


Fig.26

- ▶ 1. Upper guard 2. Lower guard 3. Base 4. Stopper 5. Open 6. Close

If the lower guard is not functioning properly, check if saw dust is accumulated inside of the upper and lower guards. If the lower guard is not functioning properly even after removing dust, have your tool serviced at a Makita service center.

Cutting operation

CAUTION: Wear dust mask when performing cutting operation.

CAUTION: Be sure to move the tool forward in a straight line gently. Forcing or twisting the tool will result in overheating the motor and dangerous kickback, possibly causing severe injury.

NOTE: When the battery cartridge temperature is low, the tool may not work to its full capacity. At this time, for example, use the tool for a light-duty cut for a while until the battery cartridge warms up as high as room temperature. Then, the tool can work to its full capacity.

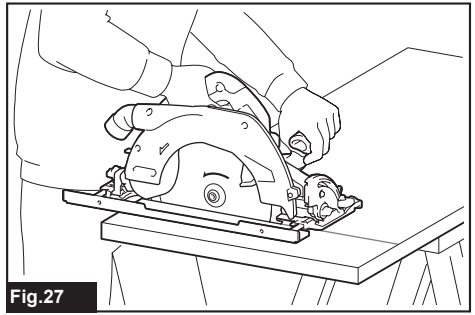


Fig.27

Hold the tool firmly. The tool is provided with both a front grip and rear handle. Use both to best grasp the tool. If both hands are holding saw, they cannot be cut by the circular saw blade. Set the base on the workpiece to be cut without the circular saw blade making any contact. Then turn the tool on and wait until the circular saw blade attains full speed. Now simply move the tool forward over the workpiece surface, keeping it flat and advancing smoothly until the sawing is completed.

To get clean cuts, keep your sawing line straight and your speed of advance uniform. If the cut fails to properly follow your intended cut line, do not attempt to turn or force the tool back to the cut line. Doing so may bind the circular saw blade and lead to dangerous kickback and possible serious injury. Release switch, wait for circular saw blade to stop and then withdraw tool. Realign tool on new cut line, and start cut again. Attempt to avoid positioning which exposes operator to chips and wood dust being ejected from saw. Use eye protection to help avoid injury.

NOTE: When making a miter cuts etc., sometimes the lower guard does not move easily. At that time, use the retracting lever to raise the lower guard for starting cut and as soon as blade enters the material, release the retracting lever.

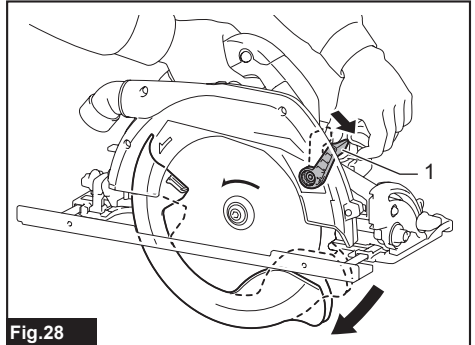


Fig.28

- ▶ 1. Retracting lever

Sub base (Guide rule)

CAUTION: Make sure that the sub base (guide rule) is securely installed in the correct position before use. Improper attachment may cause dangerous kickback.

By using the sub base as a guide rule, you can perform extra-accurate straight cuts. Loosen the clamping screws and slide the sub base out from the tool then insert it upside down.

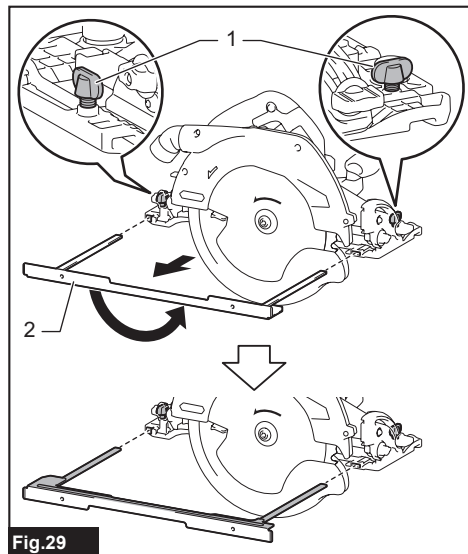


Fig.29

► 1. Clamping screw 2. Sub base

Simply slide the fence of the sub base snugly against the side of the workpiece and secure it in position with the clamping screws. It also makes repeated cuts of uniform width possible.

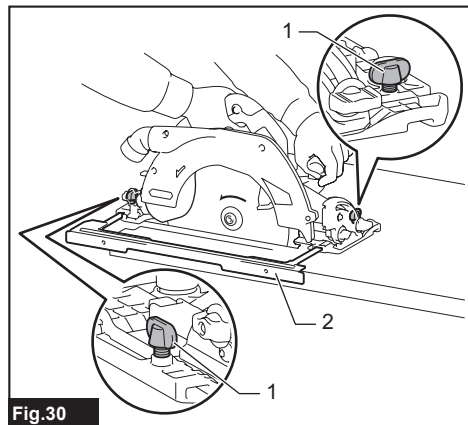


Fig.30

► 1. Clamping screw 2. Sub base

Guide rail

Optional accessory

CAUTION: Always be sure that the tool is switched off and the battery cartridge is removed before loosening the adjusting screws on the tool base.

NOTICE: Remove the sub base when using the guide rail.

Place the tool on the rear end of guide rail. Turn two adjusting screws on the tool base so that the tool slides smoothly without a clatter. Hold both the front grip and rear handle of the tool firmly. Install the battery cartridge. Turn on the tool and cut the splinter-guard along the full length with a stroke. Now the edge of the splinter-guard corresponds to the cutting edge.

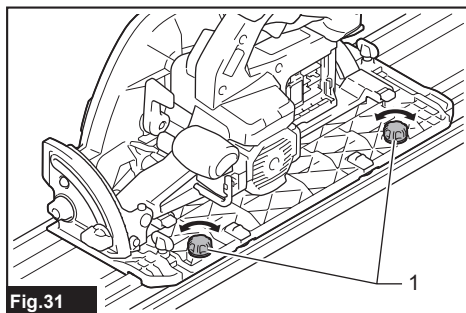


Fig.31

► 1. Adjusting screws

When bevel cutting with the guide rail, use the slide lever to prevent the tool from falling over.

Move the slide lever on the tool base in the direction of arrow so that it engages the undercut groove in the guide rail.

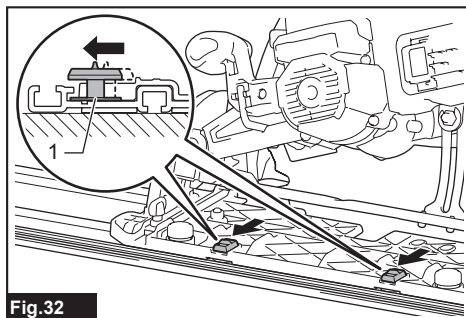


Fig.32

► 1. Slide lever

WIRELESS ACTIVATION FUNCTION

What you can do with the wireless activation function

The wireless activation function enables clean and comfortable operation. By connecting a supported vacuum cleaner to the tool, you can run the vacuum cleaner automatically along with the switch operation of the tool.

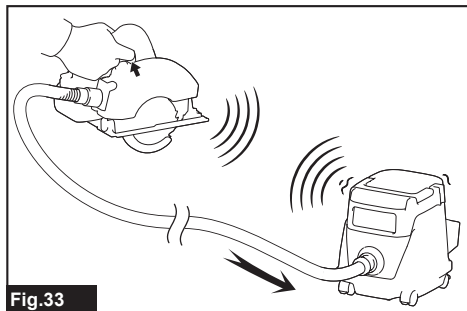


Fig.33

To use the wireless activation function, prepare following items:

- A wireless unit (optional accessory)
- A vacuum cleaner which supports the wireless activation function

The overview of the wireless activation function setting is as follows. Refer to each section for detail procedures.

1. Installing the wireless unit
2. Tool registration for the vacuum cleaner
3. Starting the wireless activation function

Installing the wireless unit

Optional accessory

CAUTION: Place the tool on a flat and stable surface when installing the wireless unit.

NOTICE: Clean the dust and dirt on the tool before installing the wireless unit. Dust or dirt may cause malfunction if it comes into the slot of the wireless unit.

NOTICE: To prevent the malfunction caused by static, touch a static discharging material, such as a metal part of the tool, before picking up the wireless unit.

NOTICE: When installing the wireless unit, always be sure that the wireless unit is inserted in the correct direction and the lid is completely closed.

1. Open the lid on the tool as shown in the figure.

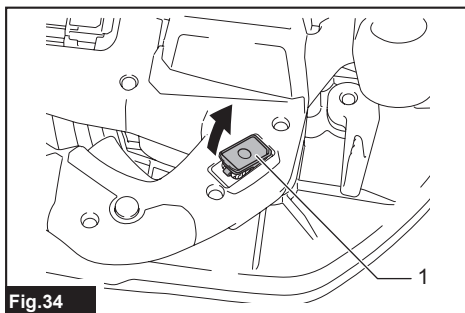


Fig.34

- ▶ 1. Lid

2. Insert the wireless unit to the slot and then close the lid.

When inserting the wireless unit, align the projections with the recessed portions on the slot.

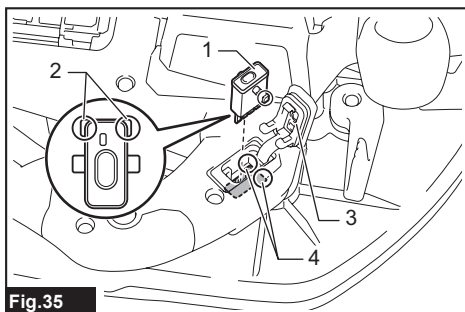


Fig.35

- ▶ 1. Wireless unit 2. Projection 3. Lid 4. Recessed portion

When removing the wireless unit, open the lid slowly. The hooks on the back of the lid will lift the wireless unit as you pull up the lid.

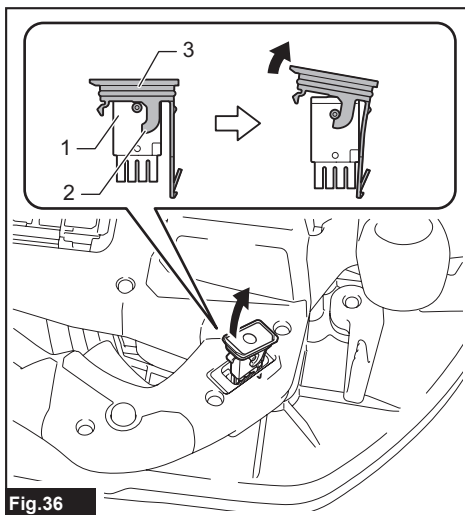


Fig.36

- ▶ 1. Wireless unit 2. Hook 3. Lid

After removing the wireless unit, keep it in the supplied case or a static-free container.

NOTICE: Always use the hooks on the back of the lid when removing the wireless unit. If the hooks do not catch the wireless unit, close the lid completely and open it slowly again.

Tool registration for the vacuum cleaner

NOTE: A Makita vacuum cleaner supporting the wireless activation function is required for the tool registration.

NOTE: Finish installing the wireless unit to the tool before starting the tool registration.

NOTE: During the tool registration, do not pull the switch trigger or turn on the power switch on the vacuum cleaner.

NOTE: Refer to the instruction manual of the vacuum cleaner, too.

If you wish to activate the vacuum cleaner along with the switch operation of the tool, finish the tool registration beforehand.

1. Install the batteries to the vacuum cleaner and the tool.
2. Set the stand-by switch on the vacuum cleaner to "AUTO".

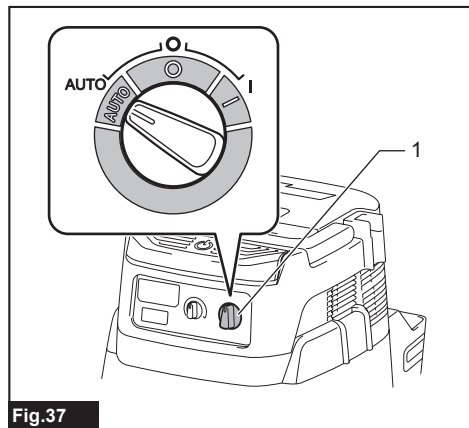


Fig.37

- 1. Stand-by switch

3. Press the wireless activation button on the vacuum cleaner for 3 seconds until the wireless activation lamp blinks in green. And then press the wireless activation button on the tool in the same way.

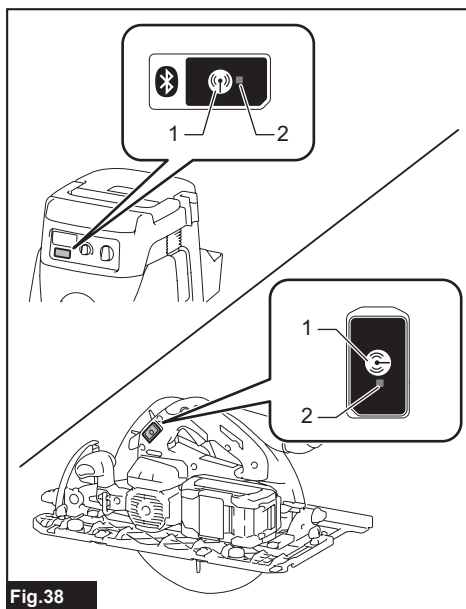


Fig.38

- 1. Wireless activation button 2. Wireless activation lamp

If the vacuum cleaner and the tool are linked successfully, the wireless activation lamps will light up in green for 2 seconds and start blinking in blue.

NOTE: The wireless activation lamps finish blinking in green after 20 seconds elapsed. Press the wireless activation button on the tool while the wireless activation lamp on the cleaner is blinking. If the wireless activation lamp does not blink in green, push the wireless activation button briefly and hold it down again.

NOTE: When performing two or more tool registrations for one vacuum cleaner, finish the tool registration one by one.

Starting the wireless activation function

NOTE: Finish the tool registration for the vacuum cleaner prior to the wireless activation.

NOTE: Refer to the instruction manual of the vacuum cleaner, too.

After registering a tool to the vacuum cleaner, the vacuum cleaner will automatically runs along with the switch operation of the tool.

1. Install the wireless unit to the tool.

2. Connect the hose of the vacuum cleaner with the tool.

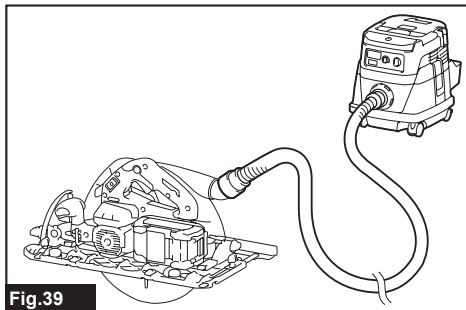


Fig.39

3. Set the stand-by switch on the vacuum cleaner to "AUTO".

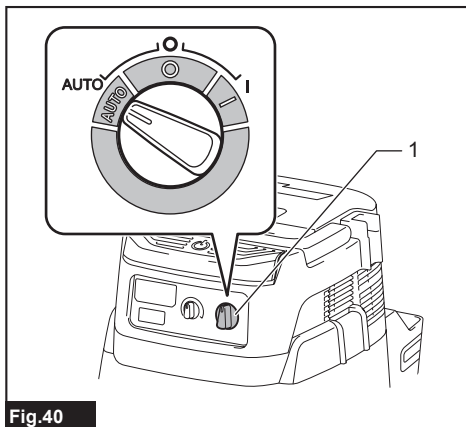


Fig.40

- 1. Stand-by switch

4. Push the wireless activation button on the tool briefly. The wireless activation lamp will blink in blue.

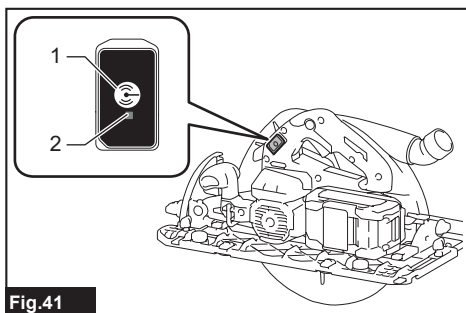


Fig.41

- 1. Wireless activation button 2. Wireless activation lamp

5. Turn on the tool. Check if the vacuum cleaner runs while the tool is operating.

To stop the wireless activation of the vacuum cleaner, push the wireless activation button on the tool.

NOTE: The wireless activation lamp on the tool will stop blinking in blue when there is no operation for 2 hours. In this case, set the stand-by switch on the vacuum cleaner to "AUTO" and push the wireless activation button on the tool again.

NOTE: The vacuum cleaner starts/stops with a delay. There is a time lag when the vacuum cleaner detects a switch operation of the tool.

NOTE: The transmission distance of the wireless unit may vary depending on the location and surrounding circumstances.

NOTE: When two or more tools are registered to one vacuum cleaner, the vacuum cleaner may start running even if you do not turn on your tool because another user is using the wireless activation function.

Description of the wireless activation lamp status

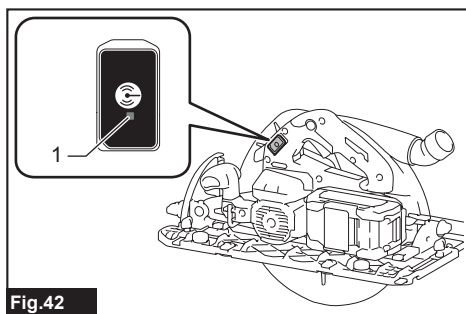


Fig.42

► **1. Wireless activation lamp**

The wireless activation lamp shows the status of the wireless activation function. Refer to the table below for the meaning of the lamp status.

Status	Wireless activation lamp				Description
	Color	■ On	▣ Blinking	Duration	
Standby	Blue		▣	2 hours	The wireless activation of the vacuum cleaner is available. The lamp will automatically turn off when no operation is performed for 2 hours.
		■		When the tool is running.	The wireless activation of the vacuum cleaner is available and the tool is running.
Tool registration	Green		▣	20 seconds	Ready for the tool registration. Waiting for the registration by the vacuum cleaner.
		■		2 seconds	The tool registration has been finished. The wireless activation lamp will start blinking in blue.
Cancelling tool registration	Red		▣	20 seconds	Ready for the cancellation of the tool registration. Waiting for the cancellation by the vacuum cleaner.
		■		2 seconds	The cancellation of the tool registration has been finished. The wireless activation lamp will start blinking in blue.
Others	Red	■		3 seconds	The power is supplied to the wireless unit and the wireless activation function is starting up.
	Off	-		-	The wireless activation of the vacuum cleaner is stopped.

Cancelling tool registration for the vacuum cleaner

Perform the following procedure when cancelling the tool registration for the vacuum cleaner.

1. Install the batteries to the vacuum cleaner and the tool.
2. Set the stand-by switch on the vacuum cleaner to "AUTO".

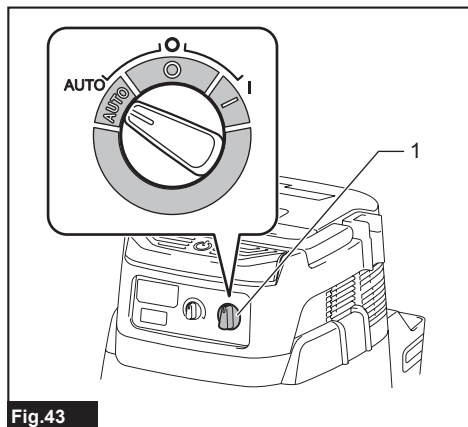


Fig.43

- 1. Stand-by switch

3. Press the wireless activation button on the vacuum cleaner for 6 seconds. The wireless activation lamp blinks in green and then become red. After that, press the wireless activation button on the tool in the same way.

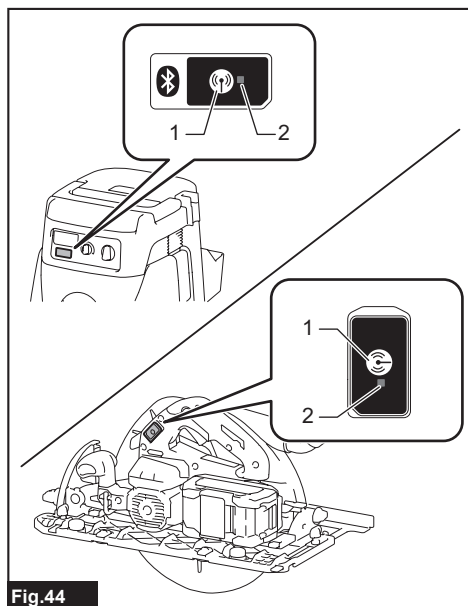


Fig.44

- 1. Wireless activation button 2. Wireless activation lamp

If the cancellation is performed successfully, the wireless activation lamps will light up in red for 2 seconds and start blinking in blue.

NOTE: The wireless activation lamps finish blinking in red after 20 seconds elapsed. Press the wireless activation button on the tool while the wireless activation lamp on the cleaner is blinking. If the wireless activation lamp does not blink in red, push the wireless activation button briefly and hold it down again.

Troubleshooting for wireless activation function

Before asking for repairs, conduct your own inspection first. If you find a problem that is not explained in the manual, do not attempt to dismantle the tool. Instead, ask Makita Authorized Service Centers, always using Makita replacement parts for repairs.

State of abnormality	Probable cause (malfunction)	Remedy
The wireless activation lamp does not light/blink.	The wireless unit is not installed into the tool. The wireless unit is improperly installed into the tool.	Install the wireless unit correctly.
	The terminal of the wireless unit and/or the slot is dirty.	Gently wipe off dust and dirt on the terminal of the wireless unit and clean the slot.
	The wireless activation button on the tool has not been pushed.	Push the wireless activation button on the tool briefly.
	The stand-by switch on the vacuum cleaner is not set to "AUTO".	Set the stand-by switch on the vacuum cleaner to "AUTO".
	No power supply	Supply the power to the tool and the vacuum cleaner.
Cannot finish tool registration / cancelling tool registration successfully.	The wireless unit is not installed into the tool. The wireless unit is improperly installed into the tool.	Install the wireless unit correctly.
	The terminal of the wireless unit and/or the slot is dirty.	Gently wipe off dust and dirt on the terminal of the wireless unit and clean the slot.
	The stand-by switch on the vacuum cleaner is not set to "AUTO".	Set the stand-by switch on the vacuum cleaner to "AUTO".
	No power supply	Supply the power to the tool and the vacuum cleaner.
	Incorrect operation	Push the wireless activation button briefly and perform the tool registration/cancellation procedures again.
	The tool and vacuum cleaner are away from each other (out of the transmission range).	Get the tool and vacuum cleaner closer to each other. The maximum transmission distance is approximately 10 m however it may vary according to the circumstances.
	Before finishing the tool registration/cancellation; - the switch of the tool is turned on or; - the power button on the vacuum cleaner is turned on.	Push the wireless activation button briefly and perform the tool registration/cancellation procedures again.
	The tool registration procedures for the tool or vacuum cleaner have not finished.	Perform the tool registration procedures for both the tool and the vacuum cleaner at the same timing.
	Radio disturbance by other appliances which generate high-intensity radio waves.	Keep the tool and vacuum cleaner away from the appliances such as Wi-Fi devices and microwave ovens.
The vacuum cleaner does not run along with the switch operation of the tool.	The wireless unit is not installed into the tool. The wireless unit is improperly installed into the tool.	Install the wireless unit correctly.
	The terminal of the wireless unit and/or the slot is dirty.	Gently wipe off dust and dirt on the terminal of the wireless unit and clean the slot.
	The wireless activation button on the tool has not been pushed.	Push the wireless activation button briefly and make sure that the wireless activation lamp is blinking in blue.
	The stand-by switch on the vacuum cleaner is not set to "AUTO".	Set the stand-by switch on the vacuum cleaner to "AUTO".
	More than 10 tools are registered to the vacuum cleaner.	Perform the tool registration again. If more than 10 tools are registered to the vacuum cleaner, the tool registered earliest will be cancelled automatically.
	The vacuum cleaner erased all tool registrations.	Perform the tool registration again.
	No power supply	Supply the power to the tool and the vacuum cleaner.
	The tool and vacuum cleaner are away from each other (out of the transmission range).	Get the tool and vacuum cleaner closer each other. The maximum transmission distance is approximately 10 m however it may vary according to the circumstances.
	Radio disturbance by other appliances which generate high-intensity radio waves.	Keep the tool and vacuum cleaner away from the appliances such as Wi-Fi devices and microwave ovens.
The vacuum cleaner runs while the tool is not operating.	Other users are using the wireless activation of the vacuum cleaner with their tools.	Turn off the wireless activation button of the other tools or cancel the tool registration of the other tools.

MAINTENANCE

CAUTION: Always be sure that the tool is switched off and the battery cartridge is removed before attempting to perform inspection or maintenance.

CAUTION: Clean out the upper and lower guards to ensure there is no accumulated saw dust which may impede the operation of the lower guarding system. A dirty guarding system may limit the proper operation which could result in serious personal injury. The most effective way to accomplish this cleaning is with compressed air. **If the dust is being blown out of the guards, be sure the proper eye and breathing protection is used.**

CAUTION: After each use, wipe off the saw dust on the tool. Fine saw dust may come inside the tool and cause malfunction or a fire.

NOTICE: Never use gasoline, benzene, thinner, alcohol or the like. Discoloration, deformation or cracks may result.

To maintain product SAFETY and RELIABILITY, repairs, any other maintenance or adjustment should be performed by Makita Authorized or Factory Service Centers, always using Makita replacement parts.

Adjusting 0°-cut or 45°-cut accuracy

NOTICE: Do not engage the levers for -1° bevel angle when adjusting 0°-cut accuracy.

NOTICE: Do not engage the positive stopper for 22.5° or 60° bevel angle when adjusting 45°-cut accuracy.

This adjustment has been made at the factory. But if it is off, you can adjust it as the following procedure.

1. Loosen the clamping screws on the front and rear of the tool so that the bevel angle can be changed. Set the positive stopper to 45° bevel angle position if you are going to adjust 45°-cut accuracy.

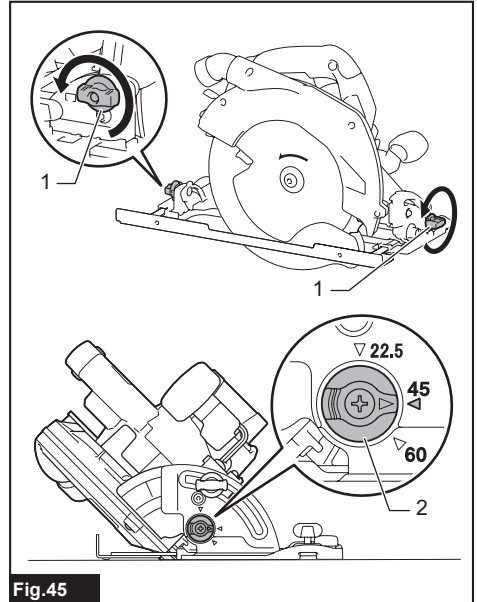


Fig.45

- 1. Clamping screw 2. Positive stopper

2. Make the base perpendicular or 45° to the circular saw blade using a triangular rule by turning the adjusting screw with a hex wrench. You can also use a square rule to adjust 0° angle.

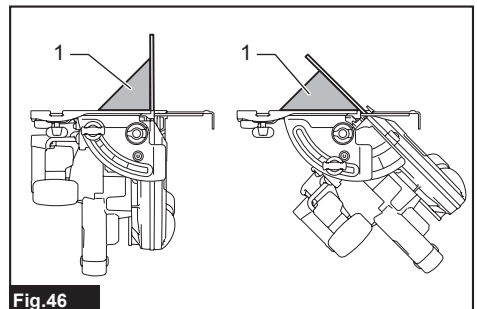


Fig.46

- 1. Triangular rule

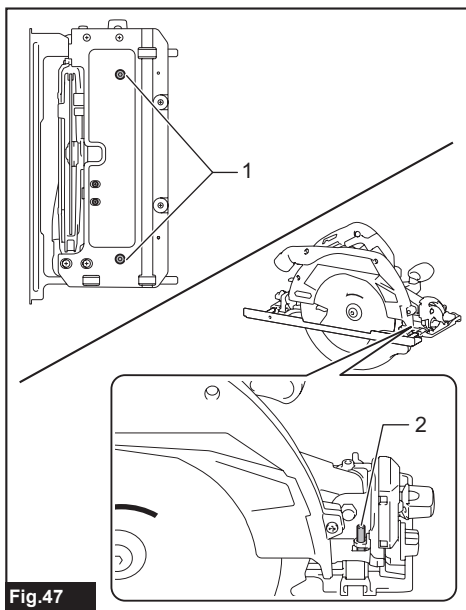


Fig. 47

► 1. Adjusting screw for 0° angle 2. Adjusting screw for 45° angle

3. Tighten the clamping screws and then make a test cut to check if desired angle is obtained.

Adjusting the depth guide

If the base does not slide up or down smoothly, the depth guide may have been tilted. You can adjust the depth guide as follows:

1. Make the base perpendicular, and set the depth of cut to the deepest.
2. Loosen the adjusting screws for the depth guide. The depth guide automatically adjusts its position.
3. Tighten the adjusting screws for the depth guide.
4. Adjust the parallelism by referring to the section for parallelism.

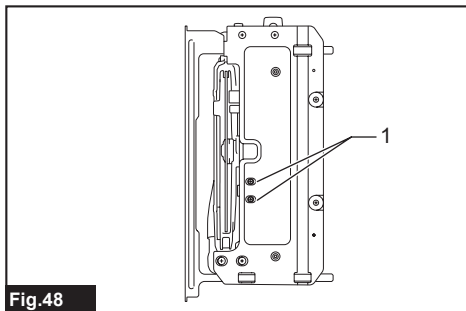


Fig. 48

► 1. Adjusting screws for the depth guide

Adjusting the parallelism

CAUTION: Keep the parallelism accurate. Otherwise the circular saw blade may bite into the guide rail and the damaged guide rail may cause an injury.

This adjustment has been made at the factory. But if it is off, you can adjust it as the following procedure.

1. Set the tool to the maximum cutting depth.
2. Make sure all levers and screws are tightened.
3. Loosen the screws shown in the figure.
4. While opening the lower guard, move the rear of the base so that the distance A and B becomes equal.

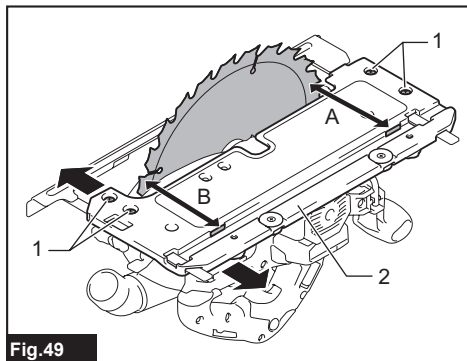


Fig. 49

► 1. Screw 2. Base

5. Tighten the screws and make a test cut to check the parallelism.

OPTIONAL ACCESSORIES

CAUTION: These accessories or attachments are recommended for use with your Makita tool specified in this manual. The use of any other accessories or attachments might present a risk of injury to persons. Only use accessory or attachment for its stated purpose.

If you need any assistance for more details regarding these accessories, ask your local Makita Service Center.

- Circular saw blade
- Sub base
- Guide rail
- Bevel guide
- Clamp
- Sheet
- Rubber sheet
- Position sheet
- Hex wrench
- Front cuff 24
- Wireless unit
- Makita genuine battery and charger

NOTE: Some items in the list may be included in the tool package as standard accessories. They may differ from country to country.

MAKITA LIMITED WARRANTY

Please refer to the annexed warranty sheet for the most current warranty terms applicable to this product. If annexed warranty sheet is not available, refer to the warranty details set forth at below website for your respective country.

United States of America: www.makitatools.com

Canada: www.makita.ca

Other countries: www.makita.com

ESPECIFICACIONES

Modelo:		GSH04
Diámetro del disco		260 mm (10-1/4")
Profundidad de corte máxima	a 0°	97 mm (3-13/16")
	bisel a 45°	68 mm (2-11/16")
	bisel a 60°	48 mm (1-7/8")
Velocidad sin carga		3 500 r/min
Longitud total		453 mm (17-7/8")
Tensión nominal		36 V - 40 V c.c. máx.
Peso neto		5,5 kg - 6,7 kg (12,1 lbs - 14,8 lbs)

- Debido a nuestro continuo programa de investigación y desarrollo, las especificaciones aquí incluidas están sujetas a cambio sin previo aviso.
- Las especificaciones y el cartucho de batería pueden variar de país a país.
- El peso puede variar en función de los accesorios, incluido el cartucho de batería. En la tabla se muestra la combinación de peso más ligero y más pesado conforme al procedimiento 01/2014 de EPTA.

Cartucho de batería y cargador aplicables

Cartucho de batería	BL4020 / BL4025 / BL4040 / BL4050F* / BL4080F* * : Batería recomendada
Cargador	DC40RA / DC40RB / DC40RC

- Algunos de los cartuchos de batería y cargadores enumerados arriba podrían no estar disponibles dependiendo de su área de residencia.

⚠ADVERTENCIA: Use únicamente los cartuchos de batería y los cargadores indicados arriba. El uso de cualquier otro cartucho de batería y cargador podría ocasionar una lesión y/o un incendio.

ADVERTENCIAS DE SEGURIDAD

Advertencias generales de seguridad para herramientas eléctricas

⚠ADVERTENCIA: Lea todas las advertencias de seguridad, instrucciones, ilustraciones y especificaciones suministradas con esta herramienta eléctrica. El no seguir todas las instrucciones indicadas a continuación podría ocasionar una descarga eléctrica, incendio y/o lesiones graves.

Conserve todas las advertencias e instrucciones como referencia en el futuro.

En las advertencias, el término "herramienta eléctrica" se refiere a su herramienta eléctrica de funcionamiento con conexión a la red eléctrica (con cableado eléctrico) o herramienta eléctrica de funcionamiento a batería (inalámbrica).

Seguridad en el área de trabajo

1. **Mantenga el área de trabajo limpia y bien iluminada.** Las áreas oscuras o desordenadas son propensas a accidentes.
2. **No utilice las herramientas eléctricas en atmósferas explosivas, tal como en la presencia de líquidos, gases o polvo inflamables.** Las herramientas eléctricas crean chispas que pueden prender fuego al polvo o los humos.
3. **Mantenga a los niños y curiosos alejados mientras utiliza una herramienta eléctrica.** Las distracciones le pueden hacer perder el control.

Seguridad eléctrica

1. **Las clavijas de conexión de las herramientas eléctricas deberán encajar perfectamente en la toma de corriente. No modifique nunca la clavija de conexión de ninguna forma. No utilice ninguna clavija adaptadora con herramientas eléctricas que tengan conexión a tierra (puesta a tierra).** La utilización de clavijas no modificadas y que encajen perfectamente en la toma de corriente reducirá el riesgo de que se produzca una descarga eléctrica.
2. **Evite tocar con el cuerpo superficies conectadas a tierra o puestas a tierra tales como tubos, radiadores, cocinas y refrigeradores.** Si su cuerpo es puesto a tierra o conectado a tierra existirá un mayor riesgo de que sufra una descarga eléctrica.

3. **No exponga las herramientas eléctricas a la lluvia ni a condiciones húmedas.** La entrada de agua en una herramienta eléctrica aumentará el riesgo de que se produzca una descarga eléctrica.
4. **No maltrate el cable. Nunca utilice el cable para transportar, jalar o desconectar la herramienta eléctrica.** Mantenga el cable alejado del calor, aceite, objetos cortantes o piezas móviles. Los cables dañados o enredados aumentan el riesgo de sufrir una descarga eléctrica.
5. **Cuando utilice una herramienta eléctrica en exteriores, utilice un cable de extensión apropiado para uso en exteriores.** La utilización de un cable apropiado para uso en exteriores reducirá el riesgo de que se produzca una descarga eléctrica.
6. **Si no es posible evitar usar una herramienta eléctrica en condiciones húmedas, utilice un alimentador protegido con interruptor de circuito de falla a tierra (ICFT).** El uso de un ICFT reduce el riesgo de descarga eléctrica.
7. **Las herramientas eléctricas pueden producir campos electromagnéticos (CEM) que no son dañinos para el usuario.** Sin embargo, si los usuarios tienen marcapasos y otros dispositivos médicos similares, deberán consultar al fabricante de su dispositivo y/o a su médico antes de operar esta herramienta eléctrica.
7. **Si dispone de dispositivos para la conexión de equipos de extracción y recolección de polvo, asegúrese de conectarlos y utilizarlos debidamente.** Hacer uso de la recolección de polvo puede reducir los riesgos relacionados con el polvo.
8. **No permita que la familiaridad adquirida debido al uso frecuente de las herramientas haga que se sienta confiado e ignore los principios de seguridad de las herramientas.** Un descuido podría ocasionar una lesión grave en una fracción de segundo.
9. **Utilice siempre gafas protectoras para proteger sus ojos de lesiones al usar herramientas eléctricas. Las gafas deben cumplir con la Norma ANSI Z87.1 en EUA.** Es responsabilidad del empleador imponer el uso de equipos protectores de seguridad apropiados a los operadores de la herramienta y demás personas cerca del área de trabajo.

Mantenimiento y uso de la herramienta eléctrica

1. **No fuerce la herramienta eléctrica. Utilice la herramienta eléctrica correcta para su aplicación.** La herramienta eléctrica adecuada hará un mejor trabajo y de forma más segura a la velocidad para la que ha sido fabricada.
 2. **No utilice la herramienta eléctrica si el interruptor no la enciende y apaga.** Cualquier herramienta eléctrica que no pueda ser controlada con el interruptor es peligrosa y debe ser reemplazada.
 3. **Desconecte la clavija de la fuente de alimentación y/o retire la batería de la herramienta eléctrica, en caso de ser removible, antes de realizar ajustes, cambiar accesorios o almacenar las herramientas eléctricas.** Tales medidas de seguridad preventivas reducirán el riesgo de poner en marcha la herramienta eléctrica de forma accidental.
 4. **Guarde la herramienta eléctrica que no use fuera del alcance de los niños y no permita que las personas que no están familiarizadas con ella o con las instrucciones la operen.** Las herramientas eléctricas son peligrosas en manos de personas que no saben operarlas.
 5. **Dé mantenimiento a las herramientas eléctricas y los accesorios. Compruebe que no haya piezas móviles desalineadas o estancadas, piezas rotas y cualquier otra condición que pueda afectar al funcionamiento de la herramienta eléctrica. Si la herramienta eléctrica está dañada, haga que la reparen antes de utilizarla.** Muchos de los accidentes son ocasionados por no dar un mantenimiento adecuado a las herramientas eléctricas.
 6. **Mantenga las herramientas de corte limpias y filosas.** Si recibe un mantenimiento adecuado y tiene los bordes afilados, es probable que la herramienta se atasque menos y sea más fácil controlarla.
 7. **Utilice la herramienta eléctrica, los accesorios y las brocas de acuerdo con estas instrucciones, considerando las condiciones laborales y el trabajo a realizar.** Si utiliza la herramienta eléctrica para realizar operaciones distintas de las indicadas, podrá presentarse una situación peligrosa.
- #### Seguridad personal
1. **Manténgase alerta, preste atención a lo que está haciendo y utilice su sentido común cuando opere una herramienta eléctrica. No utilice una herramienta eléctrica cuando esté cansado o bajo la influencia de drogas, alcohol o medicamentos.** Un momento de distracción mientras opera las herramientas eléctricas puede terminar en una lesión grave.
 2. **Use equipo de protección personal. Póngase siempre protección para los ojos.** El equipo protector tal como máscara contra el polvo, zapatos de seguridad antiderrapantes, casco rígido y protección para oídos utilizado en las condiciones apropiadas reducirá el riesgo de lesiones.
 3. **Impida el encendido accidental. Asegúrese de que el interruptor esté en la posición de apagado antes de conectar a la alimentación eléctrica y/o de colocar el cartucho de batería, así como al levantar o cargar la herramienta.** Cargar las herramientas eléctricas con su dedo en el interruptor o enchufarlas con el interruptor encendido hace que los accidentes sean comunes.
 4. **Retire cualquier llave de ajuste o llave de apriete antes de encender la herramienta.** Una llave de ajuste o llave de apriete que haya sido dejada puesta en una parte giratoria de la herramienta eléctrica puede ocasionar alguna lesión.
 5. **No utilice la herramienta donde no alcance. Mantenga los pies sobre suelo firme y el equilibrio en todo momento.** Esto permite un mejor control de la herramienta eléctrica en situaciones inesperadas.
 6. **Use una vestimenta apropiada. No use ropa suelta ni alhajas. Mantenga el cabello, la ropa y los guantes alejados de las piezas móviles.** Las prendas de vestir holgadas, las alhajas y el cabello largo suelto podrían engancharse en estas piezas móviles.

- Mantenga los mangos y superficies de asimiento secos, limpios y libres de aceite o grasa. Los mangos y superficies de asimiento resbalosos no permiten una manipulación segura ni el control de la herramienta en situaciones inesperadas.
- Cuando vaya a utilizar esta herramienta, evite usar guantes de trabajo de tela ya que éstos podrían atorarse. Si los guantes de trabajo de tela llegaran a atorarse en las piezas móviles, esto podría ocasionar lesiones personales.

Uso y cuidado de la herramienta a batería

- Recargue sólo con el cargador especificado por el fabricante. Un cargador que es adecuado para un solo tipo de batería puede generar riesgo de incendio al ser utilizado con otra batería.
- Utilice las herramientas eléctricas solamente con las baterías designadas específicamente para ellas. La utilización de cualquier otra batería puede crear un riesgo de lesiones o incendio.
- Cuando no se esté usando la batería, manténgala alejada de otros objetos metálicos, como sujetapapeles (clips), monedas, llaves, clavos, tornillos u otros objetos pequeños de metal los cuales pueden actuar creando una conexión entre las terminales de la batería. Originar un cortocircuito en las terminales puede causar quemaduras o incendios.
- En condiciones abusivas, podrá escapar líquido de la batería; evite tocarlo. Si lo toca accidentalmente, enjuague con agua. Si hay contacto del líquido con los ojos, busque asistencia médica. Puede que el líquido expulsado de la batería cause irritación o quemaduras.
- No utilice una herramienta ni una batería que estén dañadas o hayan sido modificadas. Las baterías dañadas o modificadas podrían ocasionar una situación inesperada provocando un incendio, explosión o riesgo de lesiones.
- No exponga la herramienta ni la batería al fuego ni a una temperatura excesiva. La exposición al fuego o a una temperatura superior a los 130 °C podría causar una explosión.
- Siga todas las instrucciones para la carga y evite cargar la herramienta o la batería fuera del rango de temperatura especificado en las instrucciones. Una carga inadecuada o a una temperatura fuera del rango especificado podría dañar la batería e incrementar el riesgo de incendio.

Servicio

- Haga que una persona calificada repare la herramienta eléctrica utilizando sólo piezas de repuesto idénticas. Esto asegura que se mantenga la seguridad de la herramienta eléctrica.
- Nunca dé servicio a baterías que estén dañadas. El servicio a las baterías solamente deberá ser efectuado por el fabricante o un agente de servicio autorizado.
- Siga las instrucciones para la lubricación y cambio de accesorios.
- No modifique ni intente reparar el aparato ni el paquete de baterías salvo como se indique en las instrucciones para el uso y cuidado.

Advertencias de seguridad para la sierra circular inalámbrica

Procedimientos de corte

- PELIGRO:** Mantenga las manos alejadas del área de corte y del disco. Mantenga su segunda mano sobre el mango auxiliar o sobre la carcasa del motor. Si ambas manos sujetan la sierra no pueden sufrir cortes del disco.
- Nunca meta la mano por debajo de la pieza de trabajo. El protector no puede protegerle del disco debajo de la pieza de trabajo.
- Ajuste la profundidad de corte al grosor de la pieza de trabajo. Debe verse menos de un diente completo por debajo de la pieza de trabajo.
- Nunca sostenga la pieza de trabajo con sus manos ni a través de su pierna durante el corte. Asegure la pieza de trabajo a una plataforma estable. Es importante apoyar la pieza de trabajo adecuadamente para reducir la exposición del cuerpo, el atascamiento del disco o la pérdida de control.

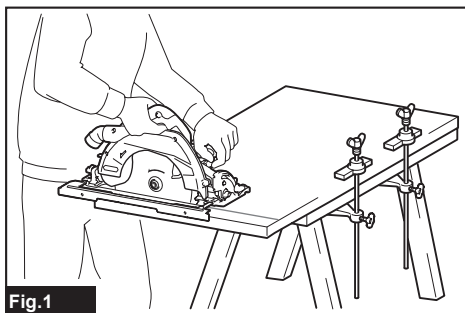


Fig.1

- Cuando realice una operación en la que la herramienta de corte pueda entrar en contacto con cableado oculto, sujete la herramienta eléctrica por las superficies de asimiento aisladas. El contacto con un cable con corriente también hará que la corriente circule por las partes metálicas expuestas de la herramienta eléctrica y podría ocasionar una descarga eléctrica al operador.
- Cuando realice un corte longitudinal, utilice siempre un tope lateral de corte o una guía de borde recto. Esto mejora la precisión del corte y reduce la posibilidad de que el disco se atasque.
- Utilice siempre discos del tamaño y forma correctos (diamante versus circular) de los orificios para ejes. Los discos que no encajen con el equipo de montaje de la sierra se desequilibrarán ocasionando la pérdida de control.
- Nunca utilice arandelas o pernos de disco dañados o incorrectos. El perno y las arandelas del disco se han diseñado específicamente para su sierra, para una seguridad y un rendimiento óptimos.

Causas de los retrocesos bruscos y advertencias relacionadas

- el retroceso brusco es una reacción repentina a un disco de la sierra pellizcado, atascado o desalineado, que ocasiona que una sierra descontrolada se levante y la pieza de trabajo salga disparada hacia el operador;
- cuando el disco queda fuertemente pellizcado o atascado al cerrarse la línea de corte, el disco se detiene y la reacción del motor es dirigir rápidamente la unidad hacia el operador;
- si el disco se retuerce o está mal alineado en el corte, los dientes del borde posterior del disco pueden clavarse en la superficie posterior de la madera, haciendo que el disco escale la línea de corte y salte hacia el operador.

El retroceso brusco es el resultado de un mal uso de la sierra y/o de condiciones o procedimientos de uso incorrectos y se puede evitar tomando las precauciones que se indican a continuación.

1. **Sujete la sierra firmemente con las dos manos y coloque sus brazos de forma que ofrezcan resistencia a la fuerza del retroceso brusco. Coloque su cuerpo hacia cualquiera de los lados del disco, pero no en línea con él.** El retroceso brusco puede provocar que la sierra salte hacia atrás; no obstante, el operador puede controlar la fuerza del retroceso brusco si toma las precauciones adecuadas.
2. **Cuando note que el disco se atora, o cuando quiera interrumpir un corte por cualquier razón, suelte el gatillo y mantenga la sierra inmóvil en el material hasta que el disco se pare completamente. No intente nunca extraer la sierra de la pieza de trabajo ni tirar de la sierra hacia atrás mientras el disco esté moviéndose porque podrá ocasionar un retroceso brusco.** Investigue y tome medidas correctivas para eliminar la causa del atoramiento del disco.
3. **Cuando reinicie la sierra en la pieza de trabajo, centre el disco de la sierra en la línea de corte de manera que los dientes de la sierra no queden enganchados en el material.** Si el disco de la sierra llegara a trabarse, éste podría levantarse y sufrir un retroceso brusco desde la pieza de trabajo al reiniciarse la sierra.
4. **Sujete los paneles grandes para minimizar el riesgo de que el disco se estanque y dé un retroceso brusco.** Los paneles grandes tienden a hundirse bajo su propio peso. Deben colocarse soportes bajo el panel en ambos lados, cerca de la línea de corte y del borde del panel.

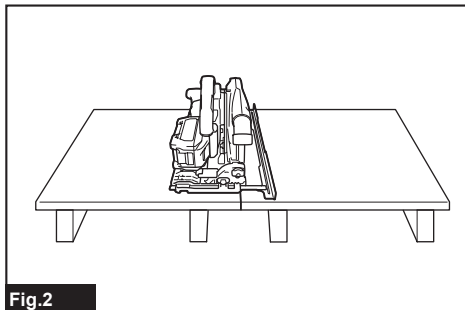


Fig.2

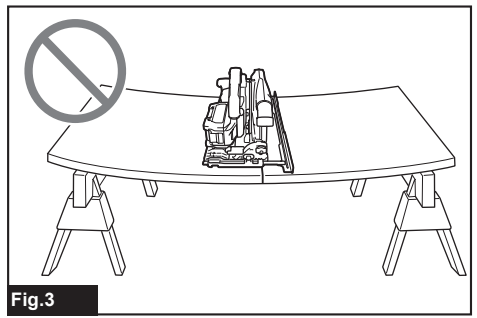


Fig.3

5. **No utilice discos dañados o desafilados.** Las discos colocados incorrectamente o desafilados producen un corte más angosto y causan una fricción excesiva, que el disco se doble y retrocesos bruscos.
6. **Las palancas de fijación de los ajustes de profundidad y de bisel del disco deben ser apretadas y aseguradas antes de realizar el corte.** Si el ajuste del disco cambia durante el corte, podrá ocasionar un atoramiento y retroceso brusco.
7. **Tenga especial cuidado cuando realice cortes con sierra en paredes existentes u otras áreas ciegas.** El disco protuberante puede cortar objetos que pueden provocar retrocesos bruscos.
8. **SIEMPRE sostenga firmemente la herramienta con ambas manos. NUNCA coloque su mano, pierna ni cualquier parte de su cuerpo debajo de la base de la herramienta ni detrás de la sierra, especialmente al hacer cortes longitudinales.** Si se llega a dar un retroceso brusco, la herramienta podría fácilmente saltar hacia atrás sobre su mano, ocasionando lesiones personales graves.

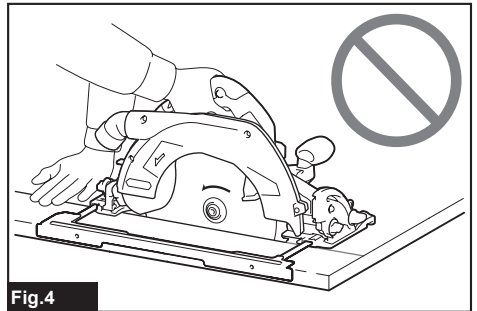


Fig.4

9. **Nunca fuerce la sierra. Empuje la sierra hacia adelante a una velocidad a la que el disco corte sin desacerarse.** Forzar la sierra durante el corte puede producir cortes desiguales, perder precisión y posiblemente generar un retroceso brusco.

Función del protector

1. **Compruebe que el protector inferior esté bien cerrado antes de cada uso. No utilice la sierra si el protector inferior no se mueve libremente y se cierra instantáneamente. Nunca sujete ni mantenga el protector inferior en la posición abierta.** Si la sierra cae accidentalmente, el protector inferior se puede doblar. Levante el protector inferior con el mango retráctil y asegúrese de que se mueve libremente y de que no hace contacto con el disco ni con ninguna otra pieza en todos los ángulos y profundidades de corte.

2. **Compruebe el funcionamiento del muelle del protector inferior.** Si el protector y el muelle no funcionan correctamente, deben repararse antes de utilizar la herramienta. El protector inferior puede funcionar con lentitud debido a las piezas dañadas, depósitos pegajosos o acumulación de suciedad.
3. **El protector inferior debe retraerse manualmente sólo para cortes especiales tales como “cortes de inmersión” y “cortes compuestos”.** Levante el protector inferior mediante el mango retráctil y cuando el disco entre en el material, debe soltar el protector inferior. Para todos los otros cortes con sierra, el protector inferior debe funcionar automáticamente.
4. **Antes de dejar la sierra en el banco o en el suelo, observe siempre que el protector inferior esté cubriendo el disco.** Un disco desprotegido, girando por inercia, hará que la sierra se desplace hacia atrás, cortando todo lo que encuentre a su paso. Tenga presente el tiempo que el disco tarda en detenerse después de soltar el interruptor.
5. **Para revisar el protector inferior, ábralo manualmente, suéltelo y vea que cierre.** Revise también que el mango retráctil no toque el alojamiento de la herramienta. Dejar el disco expuesto es MUY PELIGROSO y puede ocasionar lesiones personales graves.

Advertencias de seguridad adicionales

1. **Uso pretendido**
Esta herramienta está diseñada para cortar productos de madera por medio de cortes rectos longitudinales y transversales, así como cortes en inglete con ángulos, mientras está apoyada firmemente con la pieza de trabajo. La acumulación de aserrín en el protector inferior y el eje generada por otros materiales puede afectar el cierre correcto del protector inferior y ocasionar lesiones personales graves.
2. **Proceda con extrema precaución al cortar madera húmeda, tratada a presión o con nudos.** Mantenga un avance suave de la herramienta sin reducir la velocidad del disco para evitar el sobrecalentamiento de las puntas del mismo.
3. **No intente retirar material cortado cuando el disco se está moviendo.** Espere hasta que el disco se detenga antes de recoger el material cortado. Los discos siguen girando por inercia después de apagar la herramienta.
4. **Evite cortar clavos.** Inspeccione la madera y quite todos los clavos antes de realizar el corte.
5. **Coloque la parte más ancha de la base de la sierra sobre la pieza de trabajo que está sujeta firmemente, no sobre la sección que caerá cuando se realice el corte.** Si la pieza de trabajo es corta o pequeña, fíjela. **¡NO INTENTE SUJETAR PIEZAS PEQUEÑAS CON LA MANO!**

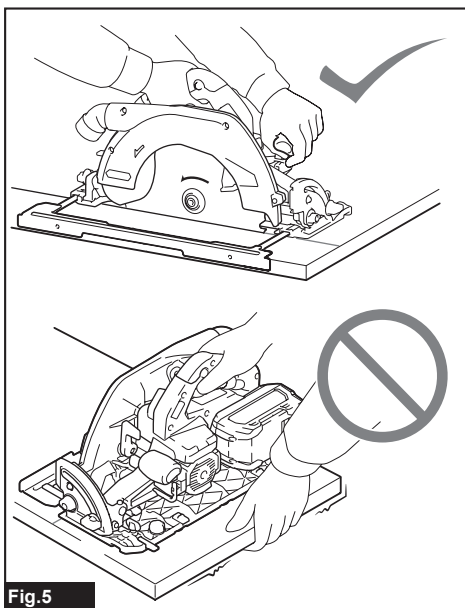


Fig. 5

6. **Antes de depositar la herramienta tras realizar un corte, asegúrese de que el protector esté cerrado y de que el disco se haya detenido por completo.**
7. **Nunca intente serrar con la sierra circular boca arriba en una prensa.** Es extremadamente peligroso y puede conllevar accidentes graves.

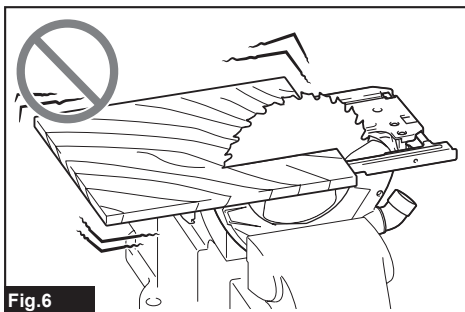


Fig. 6

8. **Algunos materiales contienen sustancias químicas que pueden ser tóxicas.** Tome precauciones para evitar la inhalación de polvo o que éste tenga contacto con la piel. Consulte la hoja de seguridad del proveedor de los materiales.
9. **No detenga el disco de la sierra mediante presión lateral sobre el mismo.**
10. **No use ningún disco abrasivo.**
11. **Use solamente un disco de la sierra cuyo diámetro esté marcado en la herramienta o especificado en el manual.** El uso de un disco de la sierra de tamaño inadecuado puede afectar la protección del disco o del protector en sí, lo cual podría ocasionar lesiones graves al operador.

12. **Mantenga el disco afilado y limpio.** La cola y la resina de madera endurecidas en el disco frenan la sierra y aumentan las posibilidades de que se produzcan retrocesos bruscos. Mantenga limpio el disco quitándolo primero de la herramienta y limpiándolo con eliminador de resina y goma, agua caliente o queroseno. Nunca utilice gasolina.
13. **Utilice una máscara antipolvo y protección para los oídos cuando utilice la herramienta.**
14. **Siempre utilice el disco de la sierra previsto para el material que va a cortar.**
15. **Utilice únicamente los discos de la sierra marcados con una velocidad igual o mayor a la velocidad marcada en la herramienta.**
16. **Coloque la herramienta y las piezas sobre una superficie plana y estable.** De lo contrario, la herramienta o las piezas podrían caerse y ocasionar una lesión.
4. **En caso de que ingresen electrolitos en sus ojos, enjuáguelos bien con agua limpia y consulte de inmediato a un médico.** Esto podría ocasionar pérdida de visión.
5. **Evite cortocircuitar el cartucho de batería:**
 - (1) **No toque las terminales con ningún material conductor.**
 - (2) **Evite guardar el cartucho de batería en un cajón junto con otros objetos metálicos, tales como clavos, monedas, etc.**
 - (3) **No exponga el cartucho de batería al agua o la lluvia.**

Un cortocircuito en la batería puede causar un flujo grande de corriente, sobrecalentamiento, posibles quemaduras e incluso una descompostura.
6. **No guarde ni utilice la herramienta y el cartucho de batería en lugares donde la temperatura pueda alcanzar o exceder los 50 °C (122 °F).**
7. **Nunca incinere el cartucho de batería incluso en el caso de que esté dañado seriamente o ya no sirva en absoluto.** El cartucho de batería puede explotar si se tira al fuego.
8. **No clave, corte, aplaste, lance o deje caer el cartucho de batería, ni golpee un objeto sólido contra el cartucho de batería.** Dicha acción podría resultar en un incendio, calor excesivo o en una explosión.
9. **No use una batería dañada.**
10. **Las baterías de ión de litio están sujetas a los requisitos reglamentarios en materia de bienes peligrosos.** Para el transporte comercial, por ej., mediante terceros o agentes de transporte, se deben tomar en cuenta los requisitos especiales relativos al empaque y el etiquetado. Para efectuar los preparativos del artículo que se va a enviar, se requiere consultar a un experto en materiales peligrosos. Si es posible, consulte además otras regulaciones nacionales más detalladas. Pegue o cubra con cinta adhesiva los contactos abiertos y empaque la batería de manera que ésta no pueda moverse dentro del paquete.

GUARDE ESTAS INSTRUCCIONES.

⚠ ADVERTENCIA: NO DEJE que la comodidad o familiaridad con el producto (a base de utilizarlo repetidamente) sustituya la estricta observancia de las normas de seguridad para dicho producto. El MAL USO o el no seguir las normas de seguridad establecidas en este manual de instrucciones puede ocasionar lesiones personales graves.

Símbolos

A continuación se muestran los símbolos utilizados para la herramienta.

V	volts o voltios
— — —	corriente directa o continua
n ₀	velocidad sin carga
... /min r /min	revoluciones o alternaciones por minuto, frecuencia de rotación
∅	diámetro

Instrucciones importantes de seguridad para el cartucho de batería

1. **Antes de utilizar el cartucho de batería, lea todas las instrucciones e indicaciones de precaución en el (1) el cargador de batería, (2) la batería, y (3) el producto con el que se utiliza la batería.**
2. **No desarme ni modifique el cartucho de batería.** Podría ocurrir un incendio, calor excesivo o una explosión.
3. **Si el tiempo de operación se ha acortado en exceso, deje de operar de inmediato.** Podría correrse el riesgo de sobrecalentamiento, posibles quemaduras e incluso explosión.
11. **Para deshacerse del cartucho de batería, sáquelo de la herramienta y deséchelo en un lugar seguro.** Siga las regulaciones locales relacionadas al desecho de las baterías.
12. **Utilice las baterías únicamente con los productos especificados por Makita.** Instalar las baterías en productos que no cumplan con los requisitos podría ocasionar un incendio, un calentamiento excesivo, una explosión o una fuga de electrolito.
13. **Si no se utiliza la herramienta por un período largo, debe extraerse la batería de la herramienta.**
14. **El cartucho de batería podría absorber calor durante y después de su uso, lo que ocasionaría quemaduras o quemaduras a baja temperatura.** Tenga cuidado con la manipulación de los cartuchos de batería que estén calientes.
15. **No toque el terminal de la herramienta inmediatamente después de su uso, ya que el mismo podría estar lo suficientemente caliente como para provocarle quemaduras.**
16. **No permita que las rebabas, el polvo o la tierra queden atrapados en los terminales, orificios y ranuras del cartucho de batería.** Podría provocar calentamiento, incendio, explosión y mal funcionamiento de la herramienta o del cartucho de batería, lo que resultaría en quemaduras o lesiones personales.

17. No utilice el cartucho de batería cerca de cables eléctricos de alto voltaje, a menos que la herramienta sea compatible con el uso cercano a estos cables eléctricos de alto voltaje. Esto podría ocasionar una avería o descomposición de la herramienta o del cartucho de batería.
18. Mantenga la batería alejada de los niños.

GUARDE ESTAS INSTRUCCIONES.

⚠PRECAUCIÓN: Utilice únicamente baterías originales de Makita. El uso de baterías no originales de Makita, o de baterías alteradas, puede ocasionar que las baterías exploten causando un incendio, lesiones personales y daños. Asimismo, esto invalidará la garantía de Makita para la herramienta y el cargador Makita.

Consejos para alargar al máximo la vida útil de la batería

1. Cargue el cartucho de batería antes de que se descargue completamente. Pare siempre la operación y cargue el cartucho de batería cuando note menos potencia en la herramienta.
2. No cargue nunca un cartucho de batería que esté completamente cargado. La sobrecarga acortará la vida de servicio de la batería.
3. Cargue el cartucho de batería a una temperatura ambiente de 10 °C - 40 °C (50 °F - 104 °F). Si un cartucho de batería está caliente, déjelo enfriar antes de cargarlo.
4. Cuando no utilice el cartucho de batería, sáquelo de la herramienta o del cargador.
5. Cargue el cartucho de batería si no va a utilizarlo durante un periodo prolongado (más de seis meses).

Instrucciones importantes de seguridad para la unidad inalámbrica

1. No desarme ni modifique la unidad inalámbrica.
2. Mantenga la unidad inalámbrica alejada de los niños pequeños. En caso de ingerirla accidentalmente, solicite atención médica de inmediato.
3. Utilice la unidad inalámbrica solamente con herramientas de Makita.
4. No exponga la unidad inalámbrica a la lluvia ni a condiciones de humedad.
5. No utilice la unidad inalámbrica en lugares donde la temperatura exceda los 50 °C (122 °F).
6. No utilice la unidad inalámbrica en lugares donde haya instrumentos médicos tales como marcapasos cerca.
7. No utilice la unidad inalámbrica en lugares donde haya dispositivos automáticos cerca. Si se utiliza, los dispositivos automáticos podrían causar alguna avería o error.

8. No opere la unidad inalámbrica en lugares con alta temperatura o donde pueda generarse electricidad estática o ruido eléctrico.
9. La unidad inalámbrica puede producir campos electromagnéticos (CEM), sin embargo éstos no son dañinos para el usuario.
10. La unidad inalámbrica es un instrumento de precisión. Tenga cuidado de no dejar caer ni golpear la unidad inalámbrica.
11. Evite tocar la terminal de la unidad inalámbrica con las manos descubiertas o con materiales metálicos.
12. Retire siempre la batería del producto al instalar en él la unidad inalámbrica.
13. Cuando abra la tapa de la ranura, evite el lugar donde el polvo y el agua puedan introducirse en la ranura. Mantenga siempre la entrada de la ranura limpia.
14. Inserte siempre la unidad inalámbrica en la dirección correcta.
15. No oprima el botón de activación inalámbrica en la unidad inalámbrica demasiado fuerte, ni lo haga con ningún objeto que tenga un borde filoso.
16. Cierre siempre la tapa de la ranura durante la operación.
17. No retire la unidad inalámbrica de la ranura mientras se esté suministrando energía a la herramienta. El hacerlo podría causar una avería de la unidad inalámbrica.
18. No retire la etiqueta en la unidad inalámbrica.
19. No coloque ninguna etiqueta en la unidad inalámbrica.
20. No deje la unidad inalámbrica en un lugar donde pueda generarse electricidad estática o ruido eléctrico.
21. No deje la unidad inalámbrica en un lugar sujeto a temperaturas altas, tal como un vehículo estacionado bajo el sol.
22. No deje la unidad inalámbrica en un lugar donde haya polvo o suciedad ni en un lugar donde pueda generarse gas corrosivo.
23. Los cambios repentinos de temperatura podrían humedecer la unidad inalámbrica. No utilice la unidad inalámbrica hasta que la condensación se haya secado por completo.
24. Cuando vaya a limpiar la unidad inalámbrica, hágalo cuidadosamente usando un paño suave seco. No utilice bencina, disolvente, grasa conductora o sustancias similares.
25. Cuando vaya a almacenar la unidad inalámbrica, guárdela en el estuche suministrado o en un contenedor libre de electricidad estática.
26. No inserte ningún otro dispositivo que no sea la unidad inalámbrica de Makita en la ranura de la herramienta.
27. No utilice la herramienta si la tapa de la ranura está dañada. La entrada de agua, polvo o suciedad en la ranura podría causar una avería.
28. No jale ni tuerza la tapa de la ranura más de lo necesario. Vuelva a colocar la tapa si ésta se sale de la herramienta.
29. Reemplace la tapa de la ranura si llega a perderse o dañarse.

GUARDE ESTAS INSTRUCCIONES.

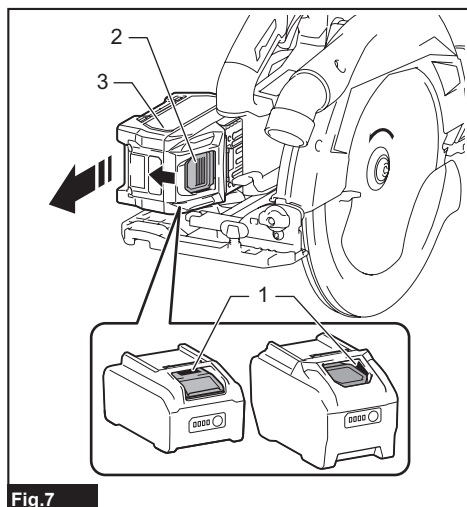
DESCRIPCIÓN DEL FUNCIONAMIENTO

⚠️ PRECAUCIÓN: Asegúrese siempre de que la herramienta esté apagada y el cartucho de batería haya sido extraído antes de realizar cualquier ajuste o comprobación en la herramienta.

Instalación o extracción del cartucho de batería

⚠️ PRECAUCIÓN: Apague siempre la herramienta antes de colocar o quitar el cartucho de batería.

⚠️ PRECAUCIÓN: Sujete la herramienta y el cartucho de la batería con firmeza al colocar o quitar el cartucho de batería. Si no se sujeta con firmeza la herramienta y el cartucho de batería, puede ocasionar que se resbalen de sus manos causando daños a la herramienta y al cartucho de batería, así como lesiones a la persona.



► 1. Indicador rojo 2. Botón 3. Cartucho de batería

Para quitar el cartucho de batería, deslícelo de la herramienta mientras desliza el botón sobre la parte delantera del cartucho.

Para instalar el cartucho de batería, alinee la lengüeta sobre el cartucho de batería con la ranura en la carcasa y deslícela hasta su lugar. Insértelo por completo hasta que se fije en su lugar con un pequeño clic. Si puede ver el indicador rojo como se muestra en la ilustración, este no ha quedado asegurado por completo.

⚠️ PRECAUCIÓN: Introduzca siempre completamente el cartucho de batería hasta que el indicador rojo no pueda verse. Si no, podría accidentalmente salirse de la herramienta y caer al suelo causando una lesión a usted o alguien a su alrededor.

⚠️ PRECAUCIÓN: No instale el cartucho de batería a la fuerza. Si el cartucho no se desliza al interior fácilmente, se debe a que no está siendo insertado correctamente.

Sistema de protección para la herramienta/batería

La herramienta está equipada con un sistema de protección para la herramienta/batería. Este sistema corta en forma automática el suministro de energía al motor para prolongar la vida útil de la herramienta y la batería. La herramienta se detendrá automáticamente durante la operación si la herramienta o la batería se someten a una de las siguientes condiciones. En algunas condiciones, los indicadores pueden encenderse.

Protección contra sobrecarga

Cuando la herramienta/batería sean utilizadas de una manera que cause que consuman una cantidad inusualmente alta de corriente, la herramienta se detendrá automáticamente. En este caso, apague la herramienta y detenga la aplicación que causó que la herramienta se sobrecargara. Luego encienda la herramienta para volver a arrancarla.

Protección contra sobrecalentamiento

Cuando la herramienta/batería se sobrecalienten, la herramienta se detendrá automáticamente. En este caso, permita que la herramienta se enfríe antes de volver a encenderla.

NOTA: Cuando la herramienta se sobrecaliente, la lámpara parpadeará.

Protección contra sobredescarga

Cuando la capacidad de la batería se reduce, la herramienta se detiene automáticamente. Si el producto no funciona incluso cuando los interruptores están siendo operados, retire las baterías de la herramienta y cárguelas.

Protección contra otras causas

El sistema de protección también está diseñado para otras causas que podrían dañar la herramienta, y permite que la herramienta se detenga automáticamente. Siga todos los pasos a continuación para eliminar las causas cuando la herramienta se haya detenido temporalmente o se haya detenido durante el funcionamiento.

1. Apague la herramienta, y luego enciéndala nuevamente para reiniciarla.
2. Cargue la(s) batería(s) o reemplácela(s) con batería(s) recargada(s).
3. Deje que la herramienta y la(s) batería(s) se enfríen.

Si no hay ninguna mejora al restaurar el sistema de protección, comuníquese con su centro local de servicio Makita.

Indicación de la capacidad restante de la batería

Opri­ma el botón de verificación en el cartucho de la batería para que indique la capacidad restante de la batería. Las luces indicadoras se iluminarán por algunos segundos.

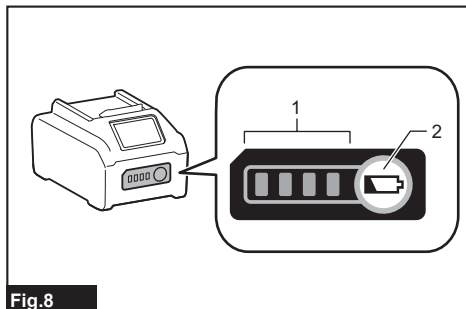


Fig.8

► 1. Luces indicadoras 2. Botón de verificación

Luces indicadoras			Capacidad restante
Iluminadas	Apagadas	Parpadeando	
■ ■ ■ ■	□ □ □ □		75% a 100%
■ ■ ■ □	□ □ □ □		50% a 75%
■ ■ □ □	□ □ □ □		25% a 50%
■ □ □ □	□ □ □ □		0% a 25%
▣ □ □ □	□ □ □ □		Cargar la batería.
■ ■ □ □	□ □ □ □		La batería pudo haber funcionado mal.
□ □ ■ ■	□ □ □ □	↑ ↓	

NOTA: Dependiendo de las condiciones de uso y la temperatura ambiente, la indicación podrá diferir ligeramente de la capacidad real.

NOTA: La primera luz indicadora (extrema izquierda) parpadeará cuando el sistema de protección de batería esté en funcionamiento.

Accionamiento del interruptor

⚠ADVERTENCIA: Antes de insertar el cartucho de batería en la herramienta, compruebe siempre y cerciórese de que el gatillo interruptor se acciona debidamente y que vuelve a la posición "OFF" (apagado) cuando lo suelta.

⚠ADVERTENCIA: NUNCA inhabilite el botón de desbloqueo manteniéndolo presionado con cinta adhesiva o mediante otro método. El uso de un interruptor con un botón de desbloqueo inhabilitado puede ocasionar una operación accidental y lesiones personales graves.

⚠ADVERTENCIA: NUNCA use la herramienta si se activa simplemente al jalar el gatillo interruptor sin que haya presionado el botón de desbloqueo. El uso de un interruptor que requiere reparación puede ocasionar una operación accidental y lesiones personales graves. Lleve la herramienta a un centro de servicio Makita para las reparaciones apropiadas ANTES de continuar su uso.

El botón de desbloqueo es suministrado para evitar jalar accidentalmente el gatillo interruptor. Para arrancar la herramienta, presione el botón de desbloqueo y jale el gatillo interruptor. Para detenerla, suelte el gatillo interruptor.

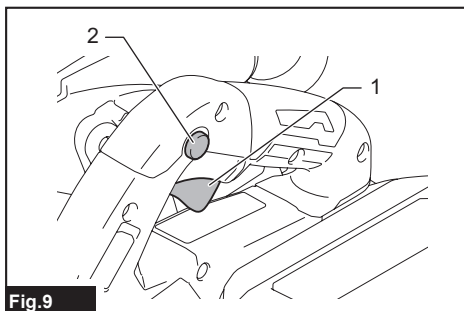


Fig.9

► 1. Gatillo interruptor 2. Botón de desbloqueo

AVISO: No jale fuertemente el gatillo interruptor sin presionar el botón de desbloqueo. Esto podría dañar el interruptor.

⚠PRECAUCIÓN: La herramienta comenzará a frenar la rotación del disco de la sierra circular inmediatamente después de haber soltado el gatillo interruptor. Sostenga la herramienta firmemente para responder a la reacción del freno al soltar el gatillo interruptor. Una reacción repentina podría hacer caer la herramienta de su mano y ocasionar una lesión personal.

Ajuste de la profundidad de corte

⚠ PRECAUCIÓN: Después de ajustar la profundidad de corte, siempre apriete la palanca firmemente.

Afloje la palanca en la guía de profundidad y mueva la base hacia arriba o hacia abajo. En la profundidad de corte deseada, fije la base apretando la palanca. Para obtener cortes más limpios y seguros, ajuste la profundidad de corte de forma que no sobresalga más de un diente del disco por debajo de la pieza de trabajo. El uso de una profundidad de corte adecuada ayuda a reducir la posibilidad de que se produzca un peligroso RETROCESO BRUSCO que pueda ocasionar lesiones personales.

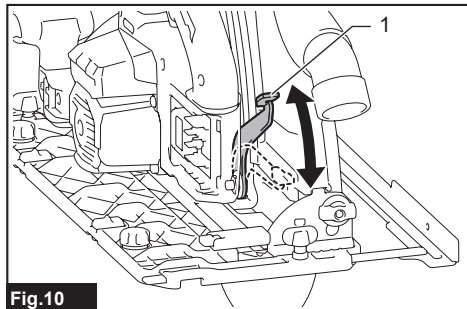


Fig.10

► 1. Palanca

AVISO: Si la base no se desliza hacia arriba o hacia abajo con suavidad, es posible que la guía de profundidad se haya inclinado. En este caso, ajuste la guía de profundidad (consulte la sección sobre cómo ajustar la guía de profundidad).

Corte en bisel

⚠ PRECAUCIÓN: Después de ajustar el ángulo de bisel, apriete siempre los tornillos de fijación con firmeza.

Afloje los tornillos de fijación. Ajuste el ángulo deseado inclinando según corresponda, después apriete los tornillos de fijación firmemente.

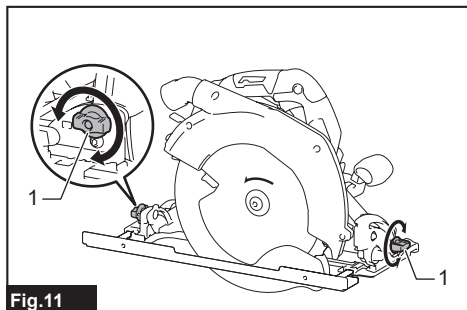


Fig.11

► 1. Tornillo de fijación

Tope de seguridad

El tope de seguridad sirve de ayuda para ajustar rápidamente el ángulo designado. Gire el tope de seguridad de manera que la flecha sobre éste apunte hacia el ángulo de bisel deseado (alrededor de $22,5^\circ/45^\circ/60^\circ$). Afloje la palanca y luego incline la base de la herramienta hasta que se detenga. La base de la herramienta se detendrá en la posición del ángulo que haya ajustado con el tope de seguridad. Apriete la palanca con la base de la herramienta en esta posición.

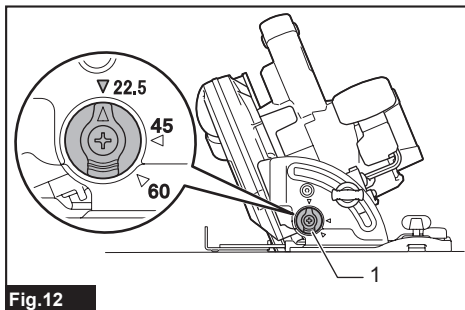


Fig.12

► 1. Tope de seguridad

Corte en bisel a -1°

Para realizar un corte en bisel a -1° , afloje los tornillos de fijación y presione las palancas en dirección de la flecha que se muestra en la ilustración. Luego ajuste el ángulo de bisel a -1° y apriete los tornillos de fijación.

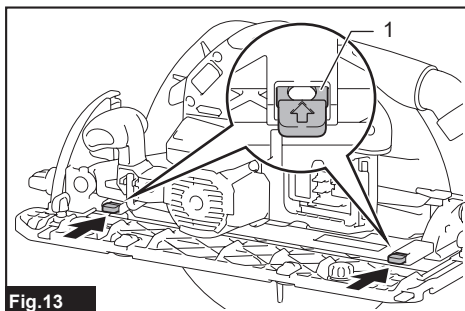


Fig.13

► 1. Palanca

Guía visual

Para cortes rectos, alinee la posición de 0° en la parte delantera de la base con su línea de corte. Para cortes en bisel a 45°, alinee la posición de 45° con la misma.

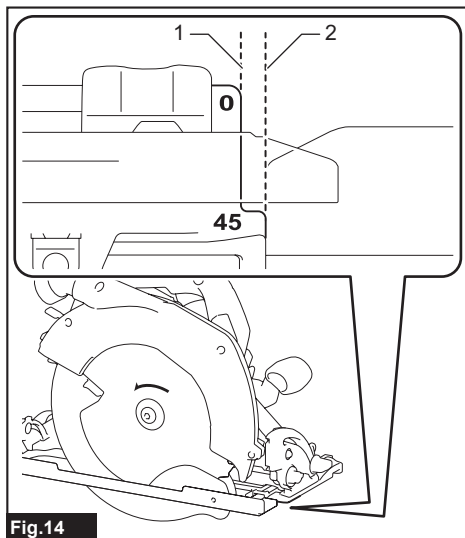


Fig.14

- 1. Línea de corte (posición de 0°) 2. Línea de corte (posición de 45°)

Encendido de la lámpara

PRECAUCIÓN: No mire a la luz ni vea a la fuente de luz directamente.

Para encender la lámpara sin poner en marcha la herramienta, jale el gatillo interruptor sin oprimir el botón de desbloqueo. Para encender la lámpara con la herramienta puesta en marcha, presione y mantenga oprimido el botón de desbloqueo y jale el gatillo interruptor. La lámpara se apagará 10 segundos después tras haber soltado el gatillo interruptor.

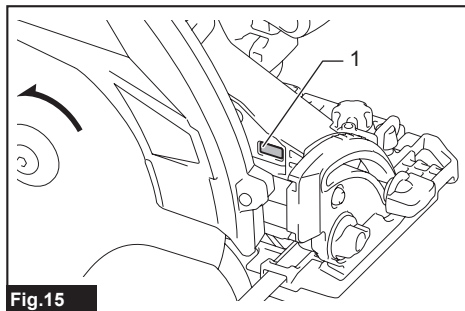


Fig.15

- 1. Lámpara

NOTA: Utilice un paño seco para quitar la suciedad de la lente de la lámpara. Tenga cuidado de no rayar la lente de la lámpara ya que la iluminación podría disminuir.

Freno eléctrico

La herramienta está equipada con un freno eléctrico para el disco. Si la herramienta falla constantemente en la detención rápida del disco de la sierra circular tras soltar la palanca del interruptor, lleve la herramienta a mantenimiento a un centro de servicio Makita.

PRECAUCIÓN: El sistema de frenado del disco no es un sustituto del protector del disco. NUNCA UTILICE LA HERRAMIENTA SI EL PROTECTOR DEL DISCO NO FUNCIONA. EL HACERLO PODRÍA OCASIONAR UNA LESIÓN PERSONAL.

Función eléctrica

Las herramientas equipadas con funciones electrónicas son fáciles de operar gracias a la(s) característica(s) a continuación.

Función de arranque suave

Permite el arranque suave gracias a que reduce el impacto de encendido.

Control de velocidad constante

El control de velocidad electrónico consiste en obtener una velocidad constante. Permite lograr un buen acabado debido a que la velocidad de rotación se mantiene constante aun bajo la condición de carga.

MONTAJE

PRECAUCIÓN: Asegúrese siempre de que la herramienta esté apagada y el cartucho de batería haya sido extraído antes de realizar cualquier trabajo en la misma.

Almacenamiento de la llave Allen (hexagonal)

Quando no la utilice, guarde la llave hexagonal como se muestra en la figura para evitar que se pierda.

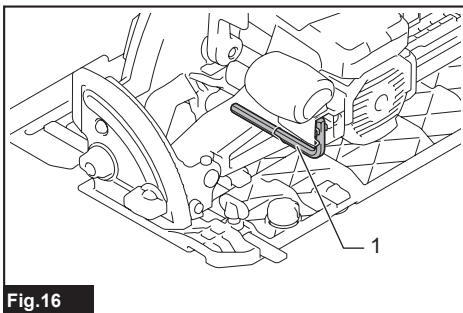


Fig.16

- 1. Llave Allen (hexagonal)

Instalación de la base inferior

Instale la base inferior y apriete el tornillo de fijación firmemente, tal como se muestra en la figura.

Siempre utilice la herramienta con la base inferior, a menos que utilice el carril guía.

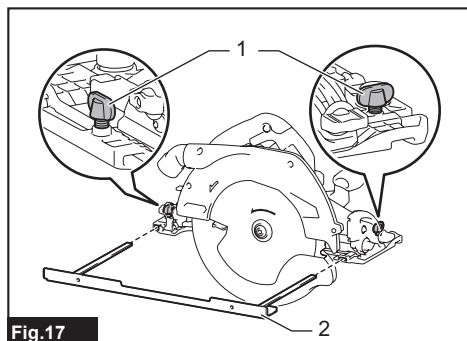


Fig.17

► 1. Tornillo de fijación 2. Base inferior

Instalación o desinstalación del disco de la sierra circular

⚠ PRECAUCIÓN: Asegúrese de que el disco de la sierra circular esté instalado con los dientes orientados hacia arriba en la parte delantera de la herramienta.

⚠ PRECAUCIÓN: Utilice solamente la llave Makita para instalar o extraer el disco de la sierra circular.

1. Afloje la palanca en la guía de profundidad y mueva la base hacia abajo.

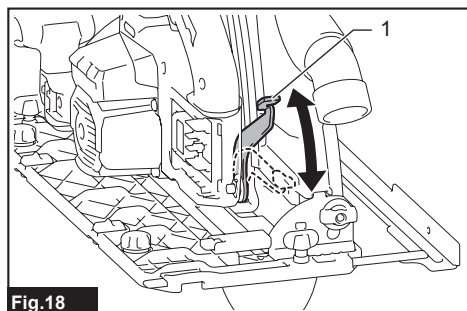


Fig.18

► 1. Palanca

2. Instale la brida interior, el anillo (específico para el país), el disco de la sierra circular, la brida exterior y el perno hexagonal. En este momento, alinee la dirección de la flecha del disco con la flecha de la herramienta.

Para la herramienta sin anillo

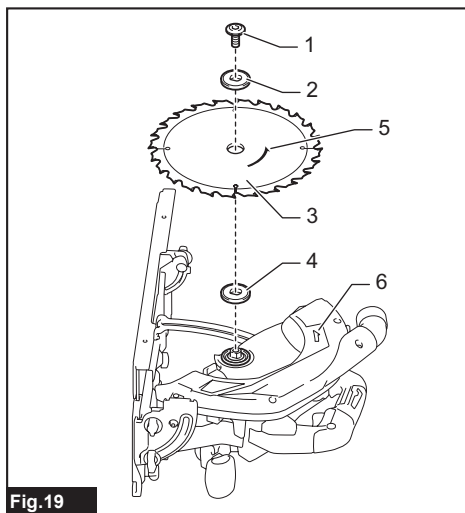


Fig.19

► 1. Perno hexagonal 2. Brida exterior 3. Disco de la sierra circular 4. Brida interior 5. Flecha en el disco de la sierra circular 6. Flecha en la herramienta

Para la herramienta con anillo

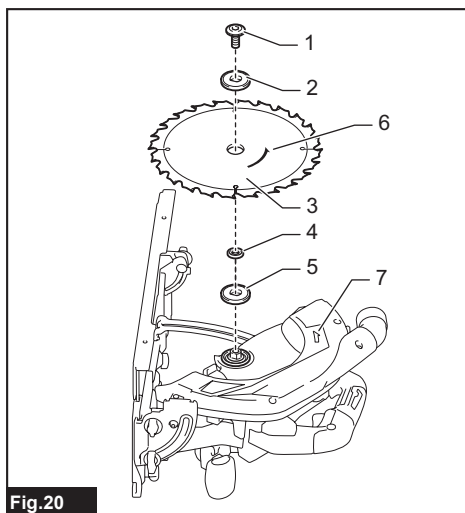


Fig.20

► 1. Perno hexagonal 2. Brida exterior 3. Disco de la sierra circular 4. Anillo 5. Brida interior 6. Flecha en el disco de la sierra circular 7. Flecha en la herramienta

3. Presione el bloqueo del eje por completo de forma que el disco de la sierra circular no pueda girar y use la llave hexagonal para apretar el perno hexagonal.

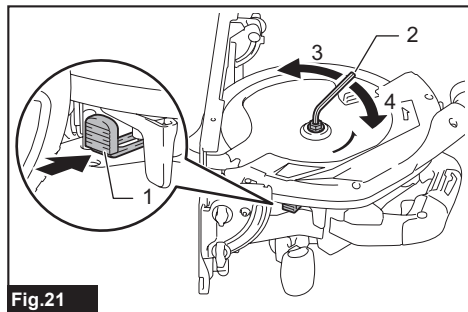


Fig.21

- 1. Bloqueo del eje 2. Llave hexagonal 3. Aflojar
4. Apretar

Para extraer el disco de la sierra circular, siga el procedimiento de instalación en orden inverso.

Instale la brida interior con su lado ahuecado orientado hacia afuera sobre el eje de montaje y luego coloque el disco de la sierra (con el anillo puesto si es necesario), la brida exterior y el perno hexagonal.

Para la herramienta sin anillo

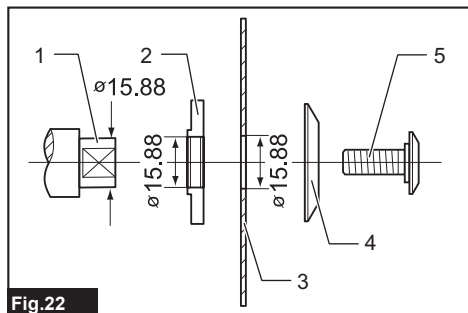


Fig.22

- 1. Eje de montaje 2. Brida interior 3. Disco de la sierra circular 4. Brida exterior 5. Perno hexagonal

Para la herramienta con anillo

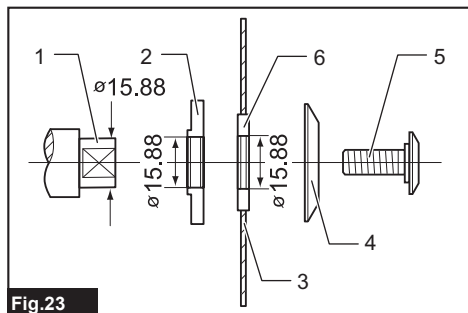


Fig.23

- 1. Eje de montaje 2. Brida interior 3. Disco de la sierra circular 4. Brida exterior 5. Perno hexagonal
6. Anillo

⚠ADVERTENCIA: ASEGÚRESE DE APRETAR FIRMEMENTE EL PERNO HEXAGONAL EN EL SENTIDO DE LAS MANECILLAS DEL RELOJ.

Asimismo, tenga cuidado de no apretar el perno con demasiada fuerza. Si su mano llega a resbalar de la llave hexagonal podría ocasionarle una lesión.

⚠ADVERTENCIA: Si se requiere un anillo para montar el disco sobre el eje, asegúrese siempre de instalar el anillo correcto para el orificio del eje del disco que desea utilizar entre las bridas interior y exterior. El uso de un anillo incorrecto para el orificio del eje puede ocasionar un montaje inadecuado del disco provocando que éste se mueva y vibre excesivamente, pudiendo causar a su vez la pérdida de control durante la operación y lesiones personales graves.

Limpieza del protector del disco

Al cambiar el disco de la sierra circular, asegúrese de limpiar también el aserrín acumulado en los protectores superior e inferior del disco, tal como se indica en la sección de Mantenimiento. Sin embargo, esta tarea no sustituye la necesidad de revisar la operación del protector inferior antes de cada uso.

Conexión de una aspiradora

Accesorio opcional

Cuando desee realizar una operación de corte limpia, conecte una aspiradora Makita a su herramienta. Conecte la manguera de la aspiradora a la boquilla para polvo para polvo usando los manguitos delanteros 24.

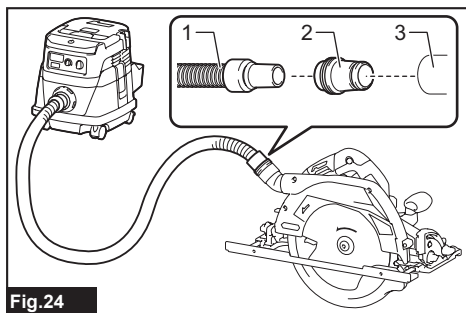


Fig.24

- 1. Manguera de la aspiradora 2. Manguitos delanteros 24 3. Boquilla para polvo

Ajuste del ángulo de la boquilla para polvo

El ángulo de la boquilla para polvo se puede ajustar al girarla. Cuando opere la herramienta sin conectar una aspiradora, ponga la boquilla para polvo hacia abajo para evitar que el operador quede expuesto al aserrín.

Cuando opere la herramienta y conecta una aspiradora, ponga la boquilla para polvo hacia arriba para evitar que la manguera de la aspiradora quede atrapada en la pieza de trabajo o en el carril guía.

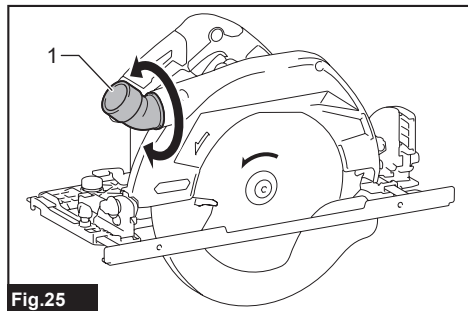


Fig.25

► 1. Boquilla para polvo

OPERACIÓN

Esta herramienta está diseñada para cortar productos de madera únicamente.

Consulte nuestro sitio web o póngase en contacto con su distribuidor local de Makita para información sobre los discos de sierra circulares correctos para emplearse con el material que se va a cortar.

No utilice la herramienta sin la base inferior, salvo cuando utilice el carril guía.

Verificación de la función del protector del disco

Retire el cartucho de batería.

Fije el ángulo de bisel a 0° y luego retraiga manualmente el protector inferior hasta el final y suéltelo. El protector inferior funcionará adecuadamente si:

- se retrae por encima de la base sin ningún obstáculo; y
- regresa automáticamente y hace contacto con el tope.

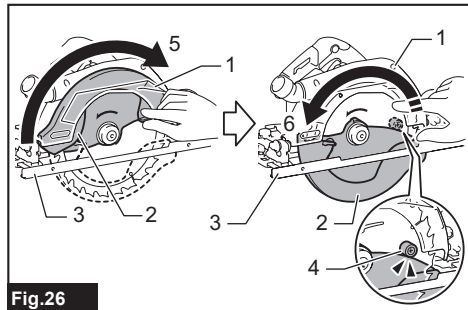


Fig.26

► 1. Protector superior 2. Protector inferior 3. Base 4. Tope 5. Abrir 6. Cerrar

Si el protector inferior no funciona adecuadamente, verifique si se acumuló aserrín dentro del protector superior e inferior. Si el protector inferior no está funcionando adecuadamente, incluso después de retirar el polvo, lleve su herramienta a un centro de servicio Makita para que le den servicio.

Operación de corte

⚠PRECAUCIÓN: Utilice una máscara contra polvo cuando realice la operación de corte.

⚠PRECAUCIÓN: Asegúrese de mover la herramienta hacia adelante en línea recta y suavemente. El forzar o torcer la herramienta producirá un sobrecalentamiento del motor y un peligroso retroceso brusco, posiblemente causando lesiones graves.

NOTA: Cuando el cartucho de batería está frío, la herramienta puede no funcionar a su capacidad completa. En ese momento use la herramienta, por ejemplo, para cortes ligeros durante algún tiempo hasta que el cartucho de batería se caliente hasta alcanzar la temperatura ambiente. De este modo, la herramienta podrá funcionar a su capacidad completa.

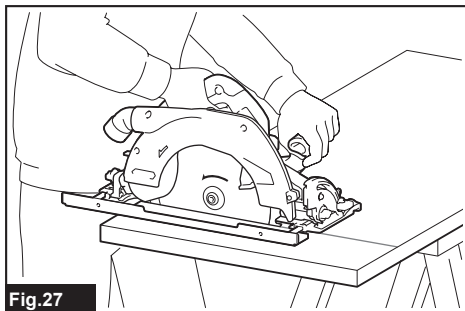


Fig.27

Sujete firmemente la herramienta. La herramienta está provista de empuñadura delantera y mango trasero. Utilice ambos para sujetar de forma óptima la herramienta. Si ambas manos están sujetando la sierra, éstas no podrán ser cortadas por el disco de la sierra circular. Coloque la base sobre la pieza de trabajo a cortar sin que el disco de la sierra circular haga contacto alguno. Luego encienda la herramienta y espere a que el disco de la sierra circular alcance su velocidad completa. Ahora simplemente mueva la herramienta hacia adelante sobre la superficie de la pieza de trabajo, manteniéndola plana y avanzando suavemente hasta completar el corte. Para obtener cortes limpios, mantenga la línea de corte recta y la velocidad de avance uniforme. Si se desvía de la línea de corte prevista, no intente girar ni forzar la herramienta para hacerla volver a la línea de corte. Esta acción podría atorar el disco de la sierra circular y ocasionar un peligroso retroceso brusco y posibles lesiones graves. Suelte el interruptor, espere hasta que el disco de la sierra circular se detenga y después retire la herramienta. Vuelva a alinear la herramienta en una nueva línea de corte y comience el corte otra vez. Hay que evitar posturas en las que el operador quede expuesto a las astillas y el aserrín expulsados de la sierra. Use protección para los ojos para poder evitar las lesiones.

NOTA: A la hora de realizar cortes de ingleta, etc., a veces la protección inferior no se mueve con facilidad. En ese momento, utilice la palanca retráctil para levantar la protección inferior e iniciar el corte. No bien la hoja ingrese en el material, libere la palanca retráctil.

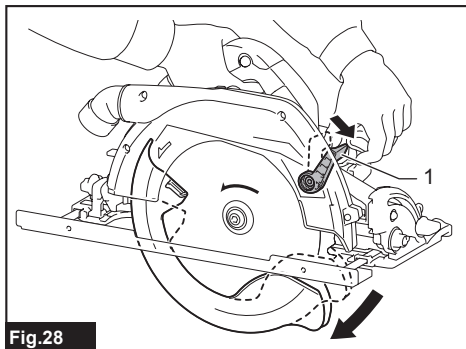


Fig.28

► 1. Palanca de retracción

Base inferior (regla guía)

⚠PRECAUCIÓN: Asegúrese de que la base inferior (regla guía) esté firmemente instalada en la posición correcta antes del uso. Un acoplamiento incorrecto podría ocasionar retrocesos bruscos peligrosos.

Mediante el uso de la base inferior como regla guía, usted puede realizar cortes rectos con extrema precisión. Afloje los tornillos de fijación, deslice la base inferior hacia afuera de la herramienta y luego insértela de cabeza.

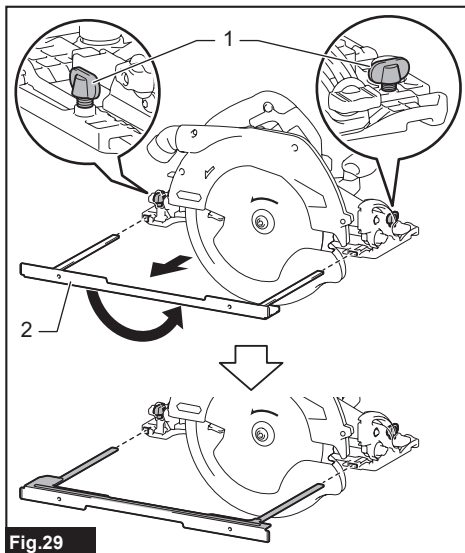


Fig.29

► 1. Tornillo de fijación 2. Base inferior

Simplemente deslice la guía de la base inferior de manera que quede ajustada contra el lado de la pieza de trabajo y fíjela en su posición usando los tornillos de fijación. Con ello también se pueden hacer cortes repetidos de anchura uniforme.

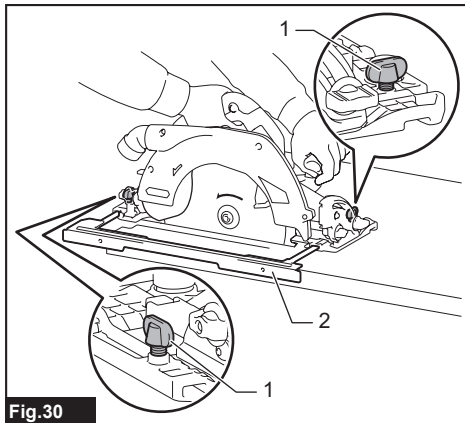


Fig.30

► 1. Tornillo de fijación 2. Base inferior

Carril guía

Accesorio opcional

⚠PRECAUCIÓN: Asegúrese siempre de que la herramienta esté apagada y el cartucho de batería haya sido extraído antes de realizar cualquier trabajo en la misma.

AVISO: Retire la base inferior cuando utilice el carril guía.

Coloque la herramienta en el extremo trasero del carril guía. Gire los dos tornillos de ajuste sobre la base de la herramienta de tal forma que ésta se deslice suave y libremente. Sujete tanto la empuñadura delantera como el mango trasero de la herramienta firmemente. Instale el cartucho de batería. Encienda la herramienta y corte el protector contra astillas a lo largo de toda la longitud con una pasada. El borde del protector contra astillas ahora corresponde con el borde de corte.

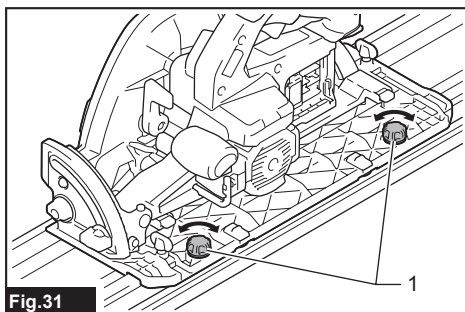


Fig.31

► 1. Tornillos de ajuste

Cuando realice cortes en bisel con el carril guía, utilice la palanca deslizable para evitar que la herramienta se caiga. Mueva la palanca deslizable sobre la base de la herramienta en la dirección de la flecha de manera que encaje en la ranura del corte al ras en el carril guía.

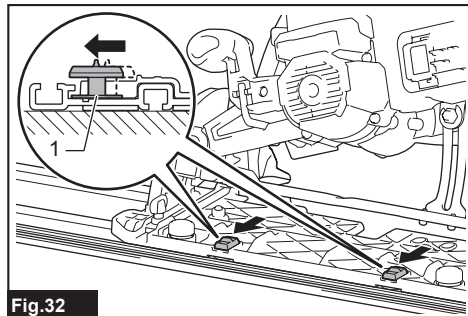


Fig.32

► 1. Palanca deslizable

FUNCIÓN DE ACTIVACIÓN INALÁMBRICA

Lo que puede hacer con la función de activación inalámbrica

La función de activación inalámbrica permite una operación limpia y cómoda. Si conecta a la herramienta una aspiradora compatible, podrá hacer que ésta funcione automáticamente al activar el interruptor de la herramienta.

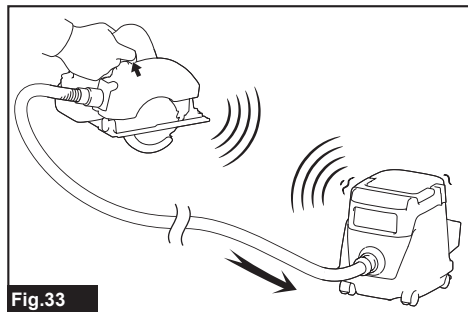


Fig.33

Para hacer uso de la función de activación inalámbrica, tenga preparado lo siguiente:

- Una unidad inalámbrica (accesorios opcionales)
- Una aspiradora compatible con la función de activación inalámbrica

A continuación se presenta la descripción general del ajuste de la función de activación inalámbrica. Consulte cada sección para ver los procedimientos a detalle.

1. Instalación de la unidad inalámbrica
2. Registro de la herramienta para la aspiradora
3. Inicio de la función de activación inalámbrica

Instalación de la unidad inalámbrica

Accesorio opcional

PRECAUCIÓN: Coloque la herramienta sobre una superficie plana y estable cuando vaya a instalar la unidad inalámbrica.

AVISO: Limpie el polvo y la suciedad en la herramienta antes de instalar la unidad inalámbrica. El polvo o la suciedad podrían causar una avería si llegan a introducirse en la ranura de la unidad inalámbrica.

AVISO: Para evitar una avería a causa de la electricidad estática, toque un material de descarga de electricidad estática, tal como una pieza metálica de la herramienta antes de levantar la unidad inalámbrica.

AVISO: Cuando vaya a instalar la unidad inalámbrica, asegúrese siempre de que ésta sea insertada en la dirección correcta y que la tapa esté completamente cerrada.

1. Abra la tapa en la herramienta tal como se muestra en la ilustración.

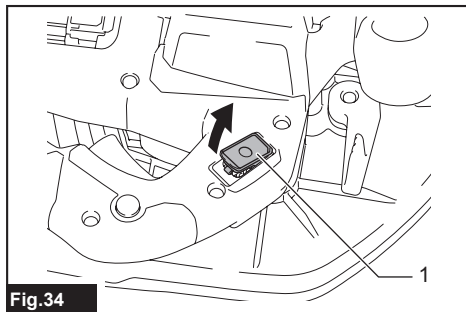


Fig.34

- 1. Tapa

2. Inserte la unidad inalámbrica en la ranura y luego cierre la tapa.

Cuando inserte la unidad inalámbrica, alinee las partes salientes con las partes cóncavas en la ranura.

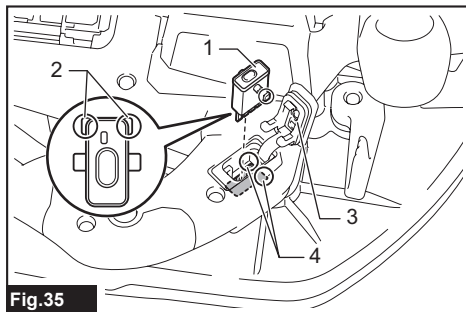


Fig.35

- 1. Unidad inalámbrica 2. Parte saliente 3. Tapa 4. Parte cóncava

Cuando extraiga la unidad inalámbrica, abra la tapa lentamente. Los ganchos en la parte posterior de la tapa levantarán la unidad inalámbrica mientras usted jala hacia arriba la tapa.

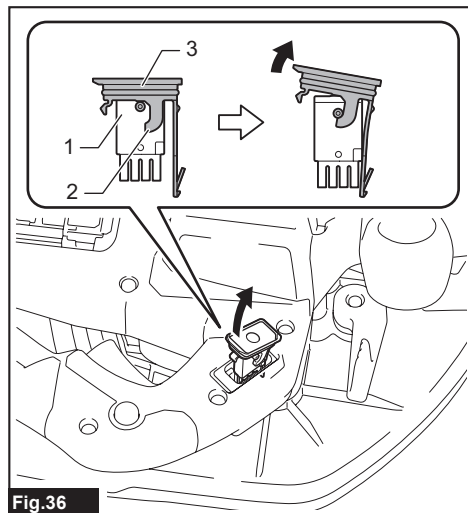


Fig.36

► 1. Unidad inalámbrica 2. Gancho 3. Tapa

Una vez extraída la unidad inalámbrica, guárdela en el estuche suministrado o en un contenedor libre de electricidad estática.

AVISO: Use siempre los ganchos en la parte posterior de la tapa cuando extraiga la unidad inalámbrica. Si los ganchos no sujetan la unidad inalámbrica, cierre la tapa por completo y vuelva a abrirla lentamente.

Registro de la herramienta para la aspiradora

NOTA: Para el registro de la herramienta, se requiere una aspiradora Makita compatible con la función de activación inalámbrica.

NOTA: Termine de instalar la unidad inalámbrica en la herramienta antes de comenzar con el registro de la herramienta.

NOTA: Durante el registro de la herramienta, no jale el gatillo interruptor ni active el interruptor de encendido en la aspiradora.

NOTA: Consulte también el manual de instrucciones de la aspiradora.

Si desea activar la aspiradora junto con el interruptor de la herramienta, termine antes con el registro de la herramienta.

1. Instale las baterías en la aspiradora y en la herramienta.

2. Ajuste el interruptor de modo en espera en la aspiradora en "AUTO".

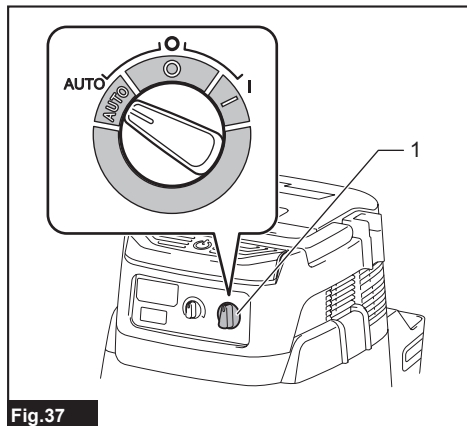


Fig.37

► 1. Interruptor de modo en espera

3. Oprima el botón de activación inalámbrica en la aspiradora durante 3 segundos hasta que la luz indicadora de activación inalámbrica parpadee en verde. Y luego oprima el botón de activación inalámbrica en la herramienta de la misma manera.

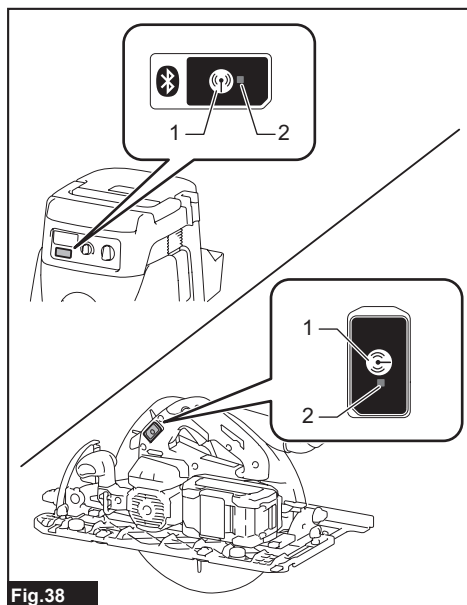


Fig.38

► 1. Botón de activación inalámbrica 2. Luz indicadora de activación inalámbrica

Si la aspiradora y la herramienta han sido conectadas exitosamente, las luces indicadoras de activación inalámbrica se encenderán en verde durante 2 segundos y comenzarán a parpadear en azul.

NOTA: Las luces indicadoras de activación inalámbrica terminarán parpadeando en verde después de un lapso de 20 segundos. Oprima el botón de activación inalámbrica en la herramienta mientras la luz indicadora de activación inalámbrica en la aspiradora esté parpadeando. Si la luz indicadora de activación inalámbrica no parpadea en verde, oprima el botón de activación inalámbrica durante un lapso breve y vuelva a mantenerlo oprimido.

NOTA: Cuando realice dos o más registros de la herramienta para una aspiradora, termine el registro de la herramienta de uno en uno.

Inicio de la función de activación inalámbrica

NOTA: Termine con el registro de la herramienta para la aspiradora antes de la activación inalámbrica.

NOTA: Consulte también el manual de instrucciones de la aspiradora.

Después de registrar una herramienta en la aspiradora, esta última se activará automáticamente junto con el interruptor de la herramienta.

1. Instale la unidad inalámbrica en la herramienta.
2. Conecte la manguera de la aspiradora a la herramienta.

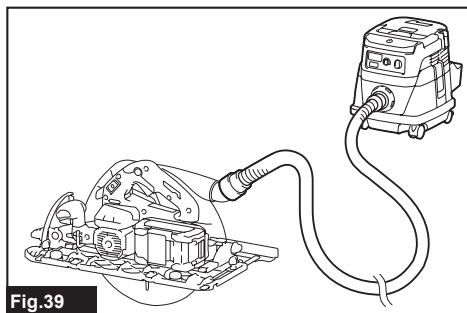


Fig.39

3. Ajuste el interruptor de modo en espera en la aspiradora en "AUTO".

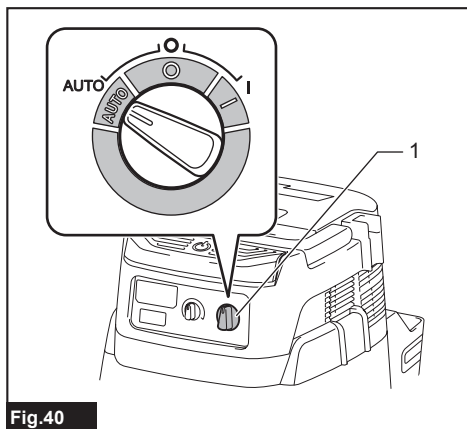


Fig.40

1. Interruptor de modo en espera

4. Oprima el botón de activación inalámbrica en la herramienta durante un lapso breve. La luz indicadora de activación inalámbrica parpadeará en azul.

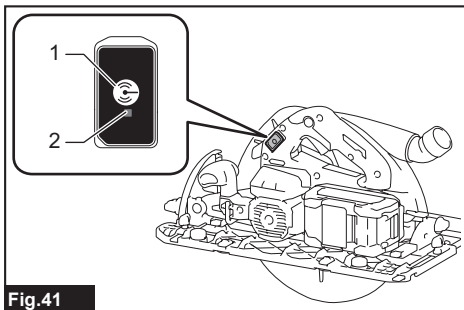


Fig.41

1. Botón de activación inalámbrica 2. Luz indicadora de activación inalámbrica

5. Encienda la herramienta. Compruebe si la aspiradora funciona mientras la herramienta está en funcionamiento.

Para detener la activación inalámbrica de la aspiradora, oprima el botón de activación inalámbrica en la herramienta.

NOTA: La luz indicadora de activación inalámbrica en la herramienta dejará de parpadear en azul cuando no haya operación durante 2 horas. En este caso, ajuste el interruptor de modo en espera en la aspiradora en "AUTO" y oprima el botón de activación inalámbrica en la herramienta nuevamente.

NOTA: La aspiradora funcionará/detendrá con un retraso. Existirá un desfase cuando la aspiradora detecte la activación del interruptor de la herramienta.

NOTA: La distancia de transmisión de la unidad inalámbrica podrá variar en función del lugar y las circunstancias de los alrededores.

NOTA: Cuando dos o más herramientas estén registradas en una aspiradora, esta última podrá comenzar a funcionar incluso si usted no enciende su herramienta, debido a que otro usuario está utilizando la función de activación inalámbrica.

Descripción del estado de la luz indicadora de activación inalámbrica

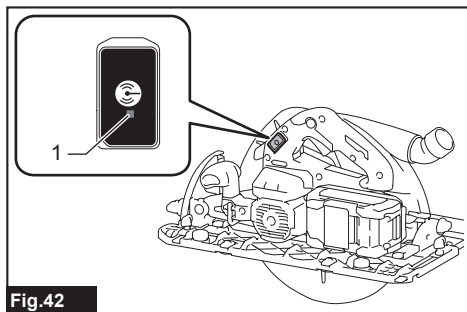


Fig.42

► 1. Luz indicadora de activación inalámbrica

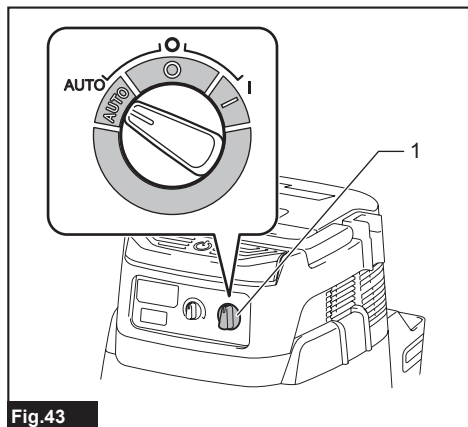
La luz indicadora de activación inalámbrica muestra el estado de la función de activación inalámbrica. Consulte la tabla a continuación para ver qué significa el estado de la luz indicadora.

Estado	Luz indicadora de activación inalámbrica				Descripción
	Color	■ Encendida	▣ Parpadeando	Duración	
En espera	Azul		▣	2 horas	La activación inalámbrica de la aspiradora está disponible. La luz se apagará automáticamente cuando no se realice ninguna operación durante 2 horas.
		■		Cuando la herramienta está funcionando.	La activación inalámbrica de la aspiradora está disponible y la herramienta está funcionando.
Registro de la herramienta	Verde		▣	20 segundos	Ya se puede realizar el registro de la herramienta. Esperando el registro por parte de la aspiradora.
		■		2 segundos	El registro de la herramienta ha terminado. La luz indicadora de activación inalámbrica comenzará a parpadear en azul.
Cancelación del registro de la herramienta	Rojo		▣	20 segundos	Ya se puede cancelar el registro de la herramienta. Esperando la cancelación por parte de la aspiradora.
		■		2 segundos	La cancelación del registro de la herramienta ha terminado. La luz indicadora de activación inalámbrica comenzará a parpadear en azul.
Otros	Rojo	■		3 segundos	La energía es suministrada a la unidad inalámbrica y la función de activación inalámbrica está arrancando.
	Apagada	-		-	La activación inalámbrica de la aspiradora se ha detenido.

Cancelación del registro de la herramienta para la aspiradora

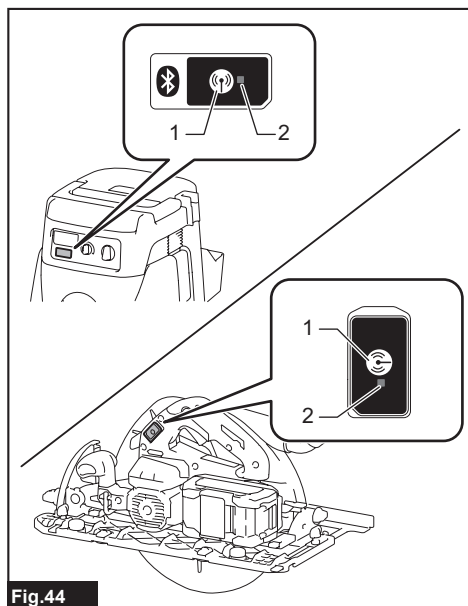
Realice el siguiente procedimiento para cancelar el registro de la herramienta para la aspiradora.

1. Instale las baterías en la aspiradora y en la herramienta.
2. Ajuste el interruptor de modo en espera en la aspiradora en "AUTO".



- 1. Interruptor de modo en espera

3. Oprima el botón de activación inalámbrica en la aspiradora durante 6 segundos. La luz indicadora de activación inalámbrica parpadeará en verde y luego se pondrá en rojo. Después de eso, oprima el botón de activación inalámbrica en la herramienta de la misma manera.



- 1. Botón de activación inalámbrica 2. Luz indicadora de activación inalámbrica

Si la cancelación se realiza exitosamente, las luces indicadoras de activación inalámbrica se encenderán en rojo durante 2 segundos y comenzarán a parpadear en azul.

NOTA: Las luces indicadoras de activación inalámbrica terminarán parpadearo en rojo después de un lapso de 20 segundos. Oprima el botón de activación inalámbrica en la herramienta mientras la luz indicadora de activación inalámbrica en la aspiradora esté parpadearo. Si la luz indicadora de activación inalámbrica no parpadea en rojo, oprima el botón de activación inalámbrica durante un lapso breve y vuelva a mantenerlo oprimido.

DetECCIÓN Y SOLUCIÓN DE PROBLEMAS PARA LA FUNCIÓN DE ACTIVACIÓN INALÁMBRICA

Antes de solicitar alguna reparación, primero realice una inspección por su cuenta. Si detecta algún problema que no esté explicado en el manual, no intente desensamblar la herramienta. En vez de esto, solicite la reparación a un centro de servicio autorizado de Makita, usando siempre piezas de repuesto Makita.

Estado de la anomalía	Causa probable (avería)	Remedio
La luz indicadora de activación inalámbrica no enciende/parpadea.	La unidad inalámbrica no está instalada en la herramienta. La unidad inalámbrica está instalada incorrectamente en la herramienta.	Instale la unidad inalámbrica correctamente.
	La terminal de la unidad inalámbrica y/o la ranura está sucia.	Retire con cuidado el polvo y la suciedad en la terminal de la unidad inalámbrica y limpie la ranura.
	El botón de activación inalámbrica en la herramienta no se ha oprimido.	Oprima el botón de activación inalámbrica en la herramienta durante un lapso breve.
	El interruptor de modo en espera en la aspiradora no está ajustado en "AUTO".	Ajuste el interruptor de modo en espera en la aspiradora en "AUTO".
	No hay suministro de energía.	Suministre energía a la herramienta y a la aspiradora.
No se puede terminar/cancelar el registro de la herramienta exitosamente.	La unidad inalámbrica no está instalada en la herramienta. La unidad inalámbrica está instalada incorrectamente en la herramienta.	Instale la unidad inalámbrica correctamente.
	La terminal de la unidad inalámbrica y/o la ranura está sucia.	Retire con cuidado el polvo y la suciedad en la terminal de la unidad inalámbrica y limpie la ranura.
	El interruptor de modo en espera en la aspiradora no está ajustado en "AUTO".	Ajuste el interruptor de modo en espera en la aspiradora en "AUTO".
	No hay suministro de energía.	Suministre energía a la herramienta y a la aspiradora.
	Operación incorrecta	Oprima el botón de activación inalámbrica durante un lapso breve y realice los procedimientos de registro/cancelación de la herramienta nuevamente.
	La herramienta y la aspiradora están lejos una de la otra (fuera del rango de transmisión).	Acerque más la herramienta a la aspiradora. La distancia máxima de transmisión es de aproximadamente 10 m, pero puede variar en función de las circunstancias.
	Antes de terminar el registro o cancelación de la herramienta: - que el interruptor de la herramienta se encienda; o - que el botón de la aspiradora se encienda.	Oprima el botón de activación inalámbrica durante un lapso breve y realice los procedimientos de registro/cancelación de la herramienta nuevamente.
	Los procedimientos de registro para la herramienta o aspiradora no se han terminado.	Realice los procedimientos de registro tanto para la herramienta como para la aspiradora al mismo tiempo.
La perturbación radioeléctrica generada por otros aparatos que emiten ondas de radio de alta intensidad.	Mantenga la herramienta y la aspiradora lejos de aparatos tales como dispositivos Wi-Fi y hornos de microondas.	

Estado de la anomalía	Causa probable (avería)	Remedio
La aspiradora no funciona junto con el interruptor de la herramienta.	La unidad inalámbrica no está instalada en la herramienta. La unidad inalámbrica está instalada incorrectamente en la herramienta.	Instale la unidad inalámbrica correctamente.
	La terminal de la unidad inalámbrica y/o la ranura está sucia.	Retire con cuidado el polvo y la suciedad en la terminal de la unidad inalámbrica y limpie la ranura.
	El botón de activación inalámbrica en la herramienta no se ha oprimido.	Oprima el botón de activación inalámbrica durante un lapso breve y asegúrese de que la luz indicadora de activación inalámbrica esté parpadeando en azul.
	El interruptor de modo en espera en la aspiradora no está ajustado en "AUTO".	Ajuste el interruptor de modo en espera en la aspiradora en "AUTO".
	Más de 10 herramientas están registradas en la aspiradora.	Vuelva a realizar el registro de la herramienta. Si más de 10 herramientas están registradas en la aspiradora, la herramienta registrada al principio se cancelará automáticamente.
	La aspiradora borró todos los registros de la herramienta.	Vuelva a realizar el registro de la herramienta.
	No hay suministro de energía.	Suministre energía a la herramienta y a la aspiradora.
	La herramienta y la aspiradora están lejos una de la otra (fuera del rango de transmisión).	Acerque más la herramienta a la aspiradora. La distancia máxima de transmisión es de aproximadamente 10 m, pero puede variar en función de las circunstancias.
	La perturbación radioeléctrica generada por otros aparatos que emiten ondas de radio de alta intensidad.	Mantenga la herramienta y la aspiradora lejos de aparatos tales como dispositivos Wi-Fi y hornos de microondas.
La aspiradora funciona mientras la herramienta no está en funcionamiento.	Otros usuarios están usando la activación inalámbrica de la aspiradora con sus herramientas.	Apague el botón de activación inalámbrica de las demás herramientas o cancele el registro de dichas herramientas.

MANTENIMIENTO

⚠️ PRECAUCIÓN: Asegúrese siempre de que la herramienta esté apagada y el cartucho de batería extraído antes de intentar realizar una inspección o mantenimiento.

⚠️ PRECAUCIÓN: Limpie los protectores superior e inferior para asegurar que no haya aserrín acumulado que pueda impedir la operación del sistema de protección inferior. Un sistema de protección sucio puede que limite la operación adecuada, lo cual podría resultar en graves lesiones al operador. La forma más eficaz de lograr esto es limpiando con aire comprimido. **Si el polvo está siendo eliminado soplando aire contra los protectores, asegúrese de usar protección respiratoria y para los ojos adecuada.**

⚠️ PRECAUCIÓN: Después de cada uso, limpie el aserrín de la herramienta. El aserrín fino puede entrar en la herramienta y ocasionar fallas en el funcionamiento o un incendio.

AVISO: Nunca use gasolina, bencina, diluyente (tíner), alcohol o sustancias similares. Puede que esto ocasione grietas o decoloramiento.

Para mantener la SEGURIDAD y FIABILIDAD del producto, las reparaciones, y cualquier otra tarea de mantenimiento o ajuste deberán ser realizadas en centros de servicio autorizados o de fábrica Makita, empleando siempre repuestos Makita.

Ajuste de la precisión del corte a 0° o 45°

AVISO: No emplee las palancas para el ángulo de bisel a -1° cuando ajuste la precisión de corte a 0°.

AVISO: No emplee el tope de seguridad para un ángulo de bisel a 22,5° o 60° cuando ajuste la precisión del corte a 45°.

Este ajuste ha sido efectuado de fábrica. Pero en caso de haberse perdido, usted puede ajustarlo siguiendo el procedimiento a continuación.

1. Afloje los tornillos de fijación en la parte delantera y trasera de la herramienta, de manera que el ángulo de bisel pueda cambiarse. Fije el tope de seguridad a una posición del ángulo de bisel de 45° si va a ajustar la precisión del corte a 45°.

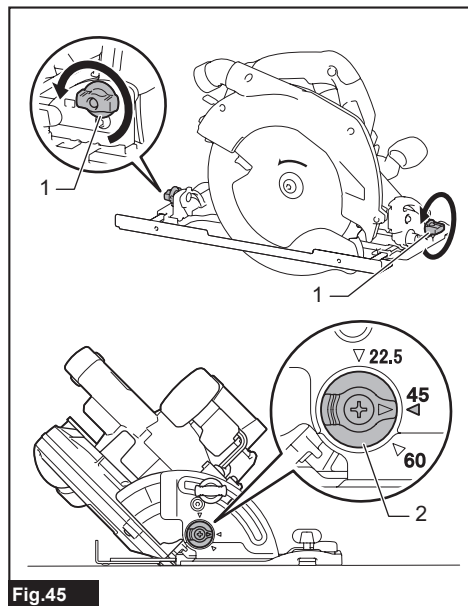


Fig.45

► 1. Tornillo de fijación 2. Tope de seguridad

2. Haga que la base quede perpendicular o a 45° al disco de la sierra circular usando una regla triangular girando el tornillo de ajuste con una llave hexagonal. También puede usar una escuadra para ajustar el ángulo a 0°.

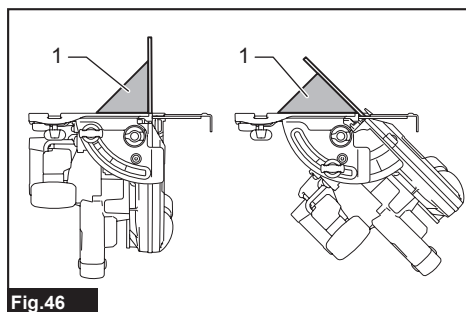


Fig.46

► 1. Regla triangular

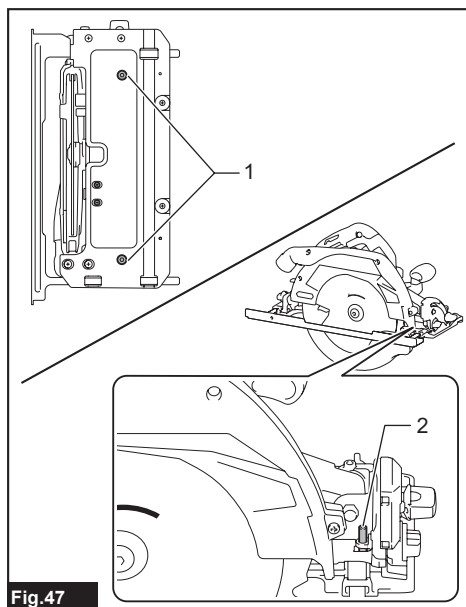


Fig.47

► 1. Tornillo de ajuste para ángulo a 0° 2. Tornillo de ajuste para ángulo a 45°

3. Apriete los tornillos de fijación, y luego haga un corte de prueba para verificar que se haya obtenido el ángulo deseado.

Ajuste de la guía de profundidad

Si la base no se desliza hacia arriba o hacia abajo con suavidad, es posible que la guía de profundidad se haya inclinado. Usted puede ajustar la guía de profundidad de la siguiente manera:

1. Ponga la base de manera perpendicular y ajuste la profundidad de corte a la más profunda.
2. Afloje los tornillos de ajuste para la guía de profundidad.
La guía de profundidad ajusta su posición de manera automática.

3. Apriete los tornillos de ajuste para la guía de profundidad.
4. Consulte la sección de paralelismo para el ajuste del mismo.

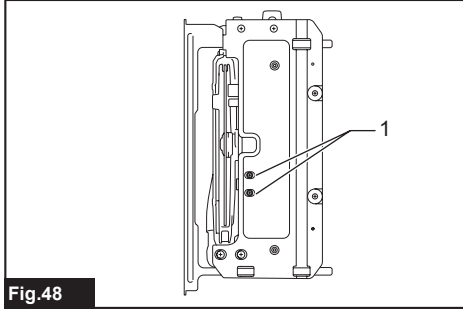


Fig.48

- 1. Tornillos de ajuste para la guía de profundidad

Ajuste del paralelismo

PRECAUCIÓN: Mantenga el paralelismo exacto. De lo contrario, el disco de la sierra circular puede morder el carril guía, el cual si está dañado puede causar una lesión.

Este ajuste ha sido efectuado de fábrica. Pero en caso de haberse perdido, usted puede ajustarlo siguiendo el procedimiento a continuación.

1. Coloque la herramienta a la profundidad de corte máxima.
2. Asegúrese de que todas las palancas y tornillos estén apretados.
3. Afloje los tornillos mostrados en la ilustración.
4. Mientras abre el protector inferior, mueva la parte trasera de la base de manera que las distancias A y B sean iguales.

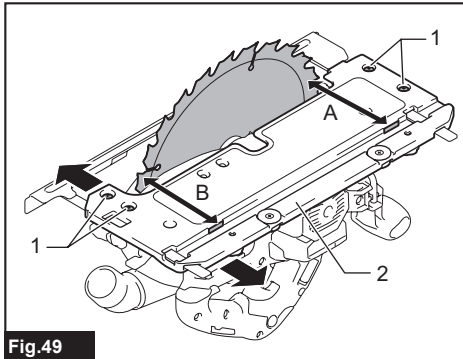


Fig.49

- 1. Tornillo 2. Base

5. Apriete los tornillos y haga un corte de prueba para verificar el paralelismo.

ACCESORIOS OPCIONALES

PRECAUCIÓN: Estos accesorios o aditamentos están recomendados para utilizarse con su herramienta Makita especificada en este manual. El empleo de cualquier otro accesorio o aditamento puede conllevar el riesgo de lesiones personales. Utilice los accesorios o aditamentos solamente para su fin establecido.

Si necesita cualquier ayuda para más detalles en relación con estos accesorios, pregunte a su centro de servicio local Makita.

- Disco de la sierra circular
- Base inferior
- Carril guía
- Guía de bisel
- Pinza
- Hoja
- Hoja de hule
- Hoja de posición
- Llave Allen (hexagonal)
- Boca delantera de 24
- Unidad inalámbrica
- Batería y cargador originales de Makita

NOTA: Algunos de los artículos en la lista pueden incluirse en el paquete de la herramienta como accesorios estándar. Éstos pueden variar de país a país.

GARANTÍA LIMITADA DE MAKITA

Ésta Garantía no aplica para México

Consulte la hoja de la garantía anexa para ver los términos más vigentes de la garantía aplicable a este producto. En caso de no disponer de esta hoja de garantía anexa, consulte los detalles sobre la garantía descritos en el sitio web de su país respectivo indicado a continuación.

Estados Unidos de América: www.makitatools.com
 Canadá: www.makita.ca
 Otros países: www.makita.com

< USA only >

WARNING

Some dust created by power sanding, sawing, grinding, drilling, and other construction activities contains chemicals known to the State of California to cause cancer, birth defects or other reproductive harm. Some examples of these chemicals are:

- lead from lead-based paints,
- crystalline silica from bricks and cement and other masonry products, and
- arsenic and chromium from chemically-treated lumber.

Your risk from these exposures varies, depending on how often you do this type of work. To reduce your exposure to these chemicals: work in a well ventilated area, and work with approved safety equipment, such as those dust masks that are specially designed to filter out microscopic particles.

< Sólo en los Estados Unidos >

ADVERTENCIA

Algunos polvos creados por el lijado, aserrado, esmerilado, taladrado y otras actividades de la construcción contienen sustancias químicas reconocidas por el Estado de California como causantes de cáncer, defectos de nacimiento y otros peligros de reproducción. Algunos ejemplos de estos productos químicos son:

- plomo de pinturas a base de plomo,
- sílice cristalino de ladrillos y cemento y otros productos de albañilería, y
- arsénico y cromo de maderas tratadas químicamente.

El riesgo al que se expone varía, dependiendo de la frecuencia con la que realice este tipo de trabajo. Para reducir la exposición a estos productos químicos: trabaje en un área bien ventilada y póngase el equipo de seguridad indicado, tal como las máscaras contra polvo que están especialmente diseñadas para filtrar partículas microscópicas.

Makita Corporation

3-11-8, Sumiyoshi-cho,
Anjo, Aichi 446-8502 Japan

www.makita.com

885938A945
GSH04-1
EN, ESMX
20211004