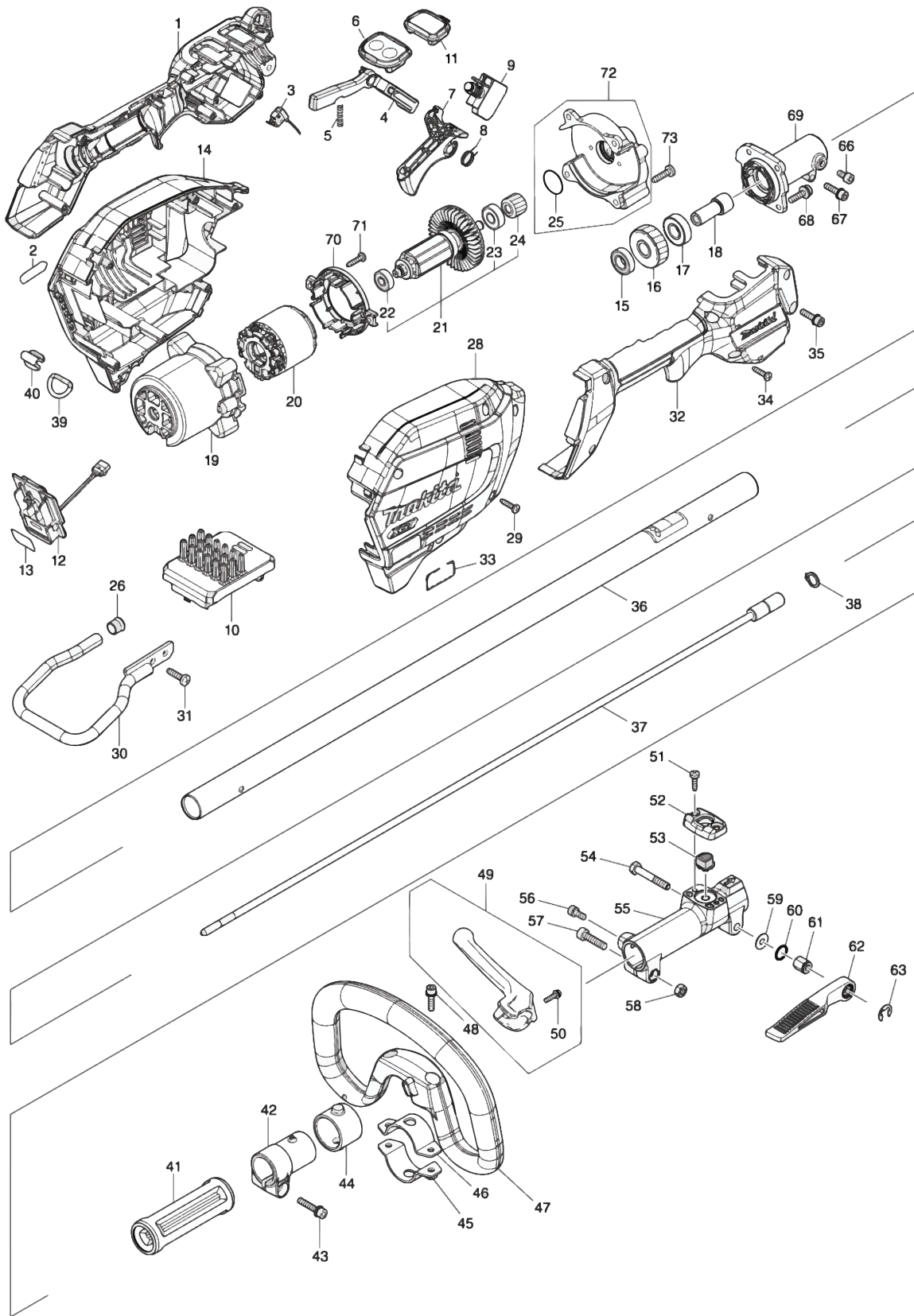




**GUX01ZX1**  
**GUX01JM1X1**



Products with multiple versions are listed in subsiding order with the newest version on top not indented.

Section	Fig. No.	Part No.	Description	GUX01ZX1	GUX01JM1X1	Tech Bulletin	Notes
1	1	183N26-2	GRIP SET	1	1		INC. 32
1	3	632G61-0	SWITCH UNIT	1	1		
1	4	459759-0	LOCK OFF LEVER	1	1		
1	5	233101-1	COMPRESSION SPRING 4	1	1		
1	6	140W64-1	SWITCH CIRCUIT COMPLETE G	1	1		
1	7	459758-2	SWITCH LEVER	1	1		
1	8	233622-3	TORSION SPRING 12	1	1		
1	9	651436-2	SWITCH C3JW-1A-P-2	1	1		
1	10	620D95-7	CONTROLLER	1	1		
1	11	140W63-3	INDICATION CIRCUIT COMPLETE	1	1		
1	12	632P49-4	TERMINAL UNIT	1	1		
1	14	183S13-1	HOUSING SET	1	1		INC. 28
1	15	211150-8	BALL BEARING 6901ZZ	1	1		
1	16	227848-7	HELICAL GEAR 33	1	1		
1	17	211131-2	BALL BEARING 6001DDW	1	1		
1	18	325811-5	SPINDLE HUB	1	1		
1	19	412961-6	MOTOR HOUSING	1	1		
1	20	629A25-7	STATOR	1	1		
1	21	519647-4	ROTOR ASS'Y	1	1		INC. 22-24
1	22	210062-2	BALL BEARING 607ZZ	1	1		
1	23	210005-4	BALL BEARING 608DDW	1	1		
1	24	227834-8	HELICAL GEAR 16	1	1		
1	25	213961-7	O RING 22	1	1		
1	26	422230-7	CAP	1	1		
1	28	183S13-1	HOUSING SET	1	1		INC. 14
1	29	266326-2	TAPPING SCREW 4X18	6	6		
1	30	347752-5	BATTERY GUARD	1	1		
1	31	266420-0	TAPPING SCREW 5X20	2	2		
1	32	183N26-2	GRIP SET	1	1		INC. 1
1	34	266326-2	TAPPING SCREW 4X18	6	6		
1	35	922233-6	H.S.H.BOLT M5X20 WITH WR	1	1		
1	36	140W65-9	SHAFT PIPE B COMPLETE	1	1		
1	37	141238-9	SHAFT B COMPLETE	1	1		
1	38	961052-5	RETAINING RING S-12	1	1		
1	39	327742-4	D RING 20	1	1		

Products with multiple versions are listed in subsiding order with the newest version on top not indented.

Section	Fig. No.	Part No.	Description	GUX01ZX1	GUX01JM1X1	Tech Bulletin	Notes
1	40	347783-4	RING SUPPORT	1	1		
1	41	451601-1	SPACER 24	1	1		
1	42	457269-1	PIPE HOLDER 24	1	1		
1	43	922244-1	H.S.H.BOLT M5X25 WITH WG	1	1		
1	44	424942-8	DAMPER	1	1		
1	45	347114-7	LOWER CLAMP 35	1	1		
1	46	347113-9	UPPER CLAMP 35	1	1		
1	47	457772-2	LOOP HANDLE	1	1		
1	48	922234-4	H.S.H.BOLT M5X20 WITH WG	2	2		
1	49	144315-6	BARRIER COMPLETE	1	1		INC. 50
1	50	911128-8	P.H.SCREW M4X16 WITH WR	1	1		
1	51	266034-5	TAPPING SCREW CT 4X16	2	2		
1	52	452840-6	RELEASE BUTTON COVER	1	1		
1	53	452839-1	RELEASE BUTTON	1	1		
1	54	265596-0	HEX.BOLT M6X40	1	1		
1	55	318750-6	JOINT 24	1	1		
1	56	922211-6	H.S.H.BOLT M5X12 WITH W	1	1		
1	57	922342-1	HEX. SOCKET HEAD BOLT M6X25	1	1		
1	58	931302-2	HEX. NUT M6	1	1		
1	59	253332-6	THIN WASHER 6	1	1		
1	60	213105-9	O RING 11	1	1		
1	61	252159-1	HEX. NUT M6	1	1		
1	62	272268-0	LEVER 94	1	1		
1	63	961014-3	STOP RING E-8	1	1		
1	66	922211-6	H.S.H.BOLT M5X12 WITH W	1	1		
1	67	922233-6	H.S.H.BOLT M5X20 WITH WR	1	1		
1	68	911233-1	PAN HEAD SCREW M5X20	4	4		
1	69	140Y38-4	PIPE BRACKET COMPLETE	1	1		
1	70	459764-7	BAFFLE PLATE	1	1		
1	71	266326-2	TAPPING SCREW 4X18	2	2		
1	72	136368-9	GEAR BOX ASSY	1	1		INC. 25
1	73	266420-0	TAPPING SCREW 5X20	4	4		
1	A01	127759-5	BAND ASSEMBLY L	1	1		NOT PICTURED
1	A03	783202-0	HEX. WRENCH 4	1	1		NOT PICTURED
1	A09	782238-6	BOX WRENCH 17	1	1		NOT PICTURED



Products with multiple versions are listed in subsiding order with the newest version on top not indented.

Section	Fig. No.	Part No.	Description	GUX01ZX1	GUX01JM1X1	Tech Bulletin	Notes
2	1	EM405MP	COMPLETE SHAFT ATTACHMENT	1	1		
2	3	424434-7	CAP 24	1	1		
2	4	141010-9	SHAFT PIPE A COMPLETE	1	1		
2	5	961003-8	RETAINING RING S-7	1	1		
2	6	326088-5	SHAFT A	1	1		
2	7	123975-7	GEAR CASE ASSEMBLY US	1	1		
2	8	210051-7	BALL BEARING 609ZZ	2	2		
2	8	210049-4	BALL BEARING 609ZZ	2	2		
2	9	257986-1	RETAINING RING (EXT) S-9	1	1		
2	10	257987-9	RETAINING RING (INT)R-24	1	1		
2	11	265590-2	+HEX.BOLT M8X10 WITH R	1	1		
2	12	232350-7	RING SPRING 6	1	1		
2	13	210025-8	BALL BEARING 627ZZ	1	1		
2	13	210030-5	BALL BEARING 627ZZ	1	1		
2	14	326853-2	CUTTER SHAFT	1	1		
2	15	211228-7	BALL BEARING 6202DDW	1	1		
2	16	257432-4	RETAINING RING R-35	1	1		
2	17	144312-2	RECEIVE WASHER COMPLETE	1	1		
2	18	252236-9	HEX. LOCK NUT M10-17	1	1		
2	19	183J06-4	SPIRAL BEVEL GEAR SET	1	1		
2	20	922242-5	HEX. SOCKET HEAD BOLT M5X25	1	1		
2	21	922216-6	HEX. SOCKET HEAD BOLT M5X14	1	1		
2	22	251513-6	H.S.H.BOLT M5X25	2	2		
2	23	347107-4	PROTECTOR CLAMP 24	1	1		
2	24	922216-6	HEX. SOCKET HEAD BOLT M5X14	1	1		
2	25	457273-0	PROTECTOR N 420-450	1	1		
2	26	457794-2	CUTTER EXTENSION	1	1		
2	27	347115-5	CUTTER	1	1		
2	28	266553-1	TAPPING SCREW 5X30	1	1		
2	A01	198892-0	TRIMMER HEAD	1	1		
2	A02	199450-5	GEAR GREASE	1	1		