



Heat Gun
Décapeur Thermique
Pistola de Calor

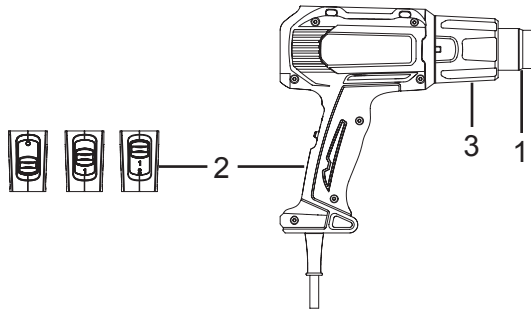
INSTRUCTION MANUAL
MANUEL D'INSTRUCTION
MANUAL DE INSTRUCCIONES

IMPORTANT: Read Before Using.
IMPORTANT: Lire avant usage.
IMPORTANTE: Lea antes de usar.

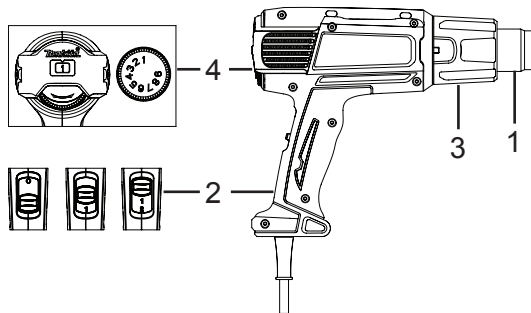


DOUBLE INSULATION
DOUBLE ISOLATION
DOBLE AISLAMIENTO

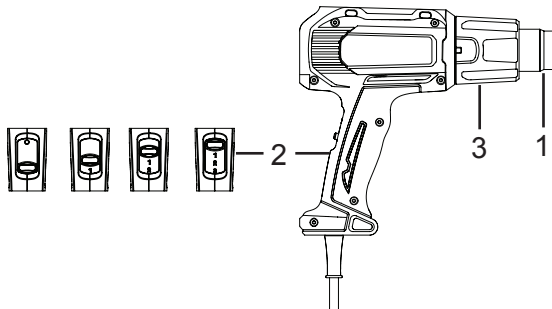
HG5030



HG6031V



HG6030



ENGLISH (Original instructions)

INTENDED USE

Your heat gun has been designed for stripping paint, soldering pipes, shrinking PVC, welding and bending plastic as well as general drying and thawing purposes.



WARNING: To reduce the fire or electric shock, do not expose this product to rain or moisture. Store indoors. Read instruction manual before using.



The tool should be connected only to a power supply of the same voltage as indicated on the nameplate, and can only be operated on single-phase AC supply. They are double-insulated and can, therefore, also be used from sockets without earth wire.



Hot surfaces - Burns to fingers or hands.

DESCRIPTION

- ① Nozzle
- ② On/off switch (0/1/2) HG5030 & HG6031V
On/off switch (0/1/2/3) HG6030
- ③ Front cover
- ④ Dial

PACKAGE CONTENT LIST

- Check the appliance, the power cord, the power plug and all accessories for transportation damages.



WARNING: Packing materials are not toys! Children must not play with plastic bags! Danger of suffocation!

- 1 Heat gun
- 1 Set of accessories (Accessories may not be necessarily be included)
- 1 Instruction manual



When parts are missing or damaged, please contact your dealer.

IMPORTANT SAFETY INSTRUCTIONS

READ THESE INSTRUCTIONS
SAVE THESE INSTRUCTIONS

⚠WARNING: Extreme care should be taken when stripping paint. The peelings, residue and vapors of paint may contain lead, which is poisonous. Any pre-1977 paint may contain lead and paint applied to homes prior to 1950 is likely to contain lead. Once deposited on surfaces, hand to mouth contact can result in the ingestion of lead. Exposure to even low levels of lead can cause irreversible brain and nervous system damage; young and unborn children are particularly vulnerable.

Before beginning any paint removal process you should determine whether the paint you are removing contains lead. This can be done by your local health department or by a professional who uses a paint analyzer to check the lead content of the paint to be removed. **LEAD-BASED PAINT SHOULD ONLY BE REMOVED BY A PROFESSIONAL AND SHOULD NOT BE REMOVED USING A HEAT GUN.**

Persons removing paint should follow these guidelines:

- Move the work piece outdoors. If this is not possible, keep the work area well ventilated. Open the windows and put an exhaust fan in one of them. Be sure the fan is moving the air from inside to outside.
- Remove or cover any carpets, rugs, furniture, clothing, cooking utensils and air ducts.
- Place drop cloths in the work area to catch any paint chips or peelings. Wear protective clothing such as extra work shirts, overalls and hats.
- Work in one room at a time. Furnishings should be removed or placed in the center of the room and covered. Work areas should be sealed off from the rest of the dwelling by sealing doorways with drop cloths.
- Children, pregnant or potentially pregnant women and nursing mothers should not be present in the work area until the work is done and all clean up is complete.
- Wear a dust respirator mask or a dual filter (dust and fume) respirator mask which has been approved by the Occupational Safety and Health Administration (OSHA), the National Institute of Safety and Health (NIOSH), or the United States Bureau of Mines. These masks and replaceable filters are readily available at major hardware stores. Be sure the mask fits. Beards and facial hair may keep masks from sealing properly. Change filters often. **DISPOSABLE PAPER MASKS ARE NOT ADEQUATE.**
- Use caution when operating the heat gun. Keep the heat gun moving as excessive heat will generate fumes which can be inhaled by the operator.
- Keep food and drink out of the work area. Wash hands, arms and face and rinse mouth before eating or drinking. Do not smoke or chew gum or tobacco in the work area.
- Clean up all removed paint and dust by wet mopping the floors. Use a wet cloth to clean all walls, sills and any other surface where paint or dust is clinging. **DO NOT SWEEP, DRY DUST OR VACUUM.** Use a high phosphate detergent or trisodium phosphate (TSP) to wash and mop areas.
- At the end of each work session put the paint chips and debris in a double plastic bag, close it with tape or twist ties and dispose of properly.
- Remove protective clothing and work shoes in the work area to avoid carrying dust into the

rest of the dwelling. Wash work clothes separately. Wipe shoes off with a wet rag that is then washed with the work clothes. Wash hair and body thoroughly with soap and water.

- Hidden areas such as behind walls, ceilings, floors, soffit boards and other panels may contain flammable materials that could be ignited by the heat gun when working in these locations. The ignition of these materials may not be readily apparent and could result in property damage and injury to persons. When working in these locations, keep the heat gun moving in a back-and-forth motion. Lingering or pausing in one spot could ignite the panel or the material behind it.

ADDITIONAL SAFETY INSTRUCTIONS FOR HEAT GUN

- Do not place your hand over the air vents or block the vents in any way.
- The nozzle and accessories of this tool become extremely hot during use. Let these parts cool down before touching.
- Always switch the tool off before putting it down.
- Do not leave the tool unattended while it is switched on.
- A fire may arise if the appliance is not used with care.
- Heat may be conducted to combustible materials that are out of sight. Do not use in a damp atmosphere, where flammable gases may be present or near combustible materials.
- Allow the tool to cool fully before storing.
- Ensure adequate ventilation as toxic fumes may be produced.
- Do not use as a hairdryer.
- Do not obstruct either the air intake or nozzle outlet, as this may cause excessive heat build-up resulting in damage to the tool.
- Do not direct the hot air blast at other people.
- Do not touch the metal nozzle as it becomes very hot during use and remains hot for up to 30 minutes after use.
- Do not place the nozzle against anything while using or immediately after use.
- Do not poke anything down the nozzle as it could give you an electric shock. Do not look down the nozzle while the unit is working because of the high temperature being produced.
- Do not allow paint to adhere to the nozzle or scraper as it could ignite after some time.

Removing paint

- Do not use this tool to remove paint containing lead. The peelings, residue and vapors of paint may contain lead, which is poisonous. Any pre-1960 building may have been painted in the past with paint containing lead and covered with additional layers of paint. Once deposited on surfaces, hand to mouth contact can result in the ingestion of lead. Exposure even to low levels of lead can cause irreversible damage to the brain and nervous system. Young and unborn children are

particularly vulnerable.

- When removing paint, ensure that the work area is enclosed. Preferably wear a dust mask.
- Do not burn the paint. Use the scraper and keep the nozzle at least 25 mm away from the painted surface. When working in a vertical direction, work downwards to prevent paint from falling into the tool and burning.
- Dispose of all paint debris safely and ensure that the work area is thoroughly cleaned after completing the work.
- This tool has a polarized plug (one blade is wider than the other). To reduce the risk of electric shock, this plug is intended to fit in a polarized outlet only one way. If the plug does not fit fully in the outlet, reverse the plug. If it still does not fit, contact a qualified electrician. Do not modify the plug in any way.
- If the supply cord is damaged, it must be replaced by the manufacturer, its service agent or similarly qualified persons in order to avoid a hazard.

CAUTION: In order to avoid a hazard due to inadvertent resetting of the thermal cut-out, this tool must not be supplied through an external switching device, such as a timer, or connected to a circuit that is regularly switched on and off by the utility.

ASSEMBLY AND ADJUSTMENT



Prior to assembly and adjustment, always unplug the tool






The air temperature can be adjusted to suit a wide range of applications. The table below suggests settings for different applications.

Setting	Applications
HG6030: 1	<ul style="list-style-type: none"> ■ Cooling the hot parts. ■ Cooling the machines before changing the nozzle.
HG5030: 1	<ul style="list-style-type: none"> ■ Drying paint and varnish.
HG6031V: 1	<ul style="list-style-type: none"> ■ Removing stickers.
HG6030: 2	<ul style="list-style-type: none"> ■ Waxing and de-waxing. ■ Drying wet timber prior to filling. ■ Shrinking PVC wrapping and insulation tubes. ■ Thawing frozen pipes.
HG5030: 2	<ul style="list-style-type: none"> ■ Welding plastics.
HG6031V: 2	<ul style="list-style-type: none"> ■ Bending plastic pipes and sheets.
HG6030: 3	<ul style="list-style-type: none"> ■ Loosening rusted or tightly fastened nuts and bolts. ■ Removing paint and lacquer. ■ Soldering plumbing joints.



If you are not sure about the correct setting, start with a low temperature setting and gradually increase the temperature until you achieve optimum results.

MOUNTING THE CORRECT ACCESSORY (IF APPLICABLE)

Icon	Description	Purpose
	Glass protection nozzle	Protection windows when stripping frames
	Reflector nozzle	Soldering pipes
	Reduction nozzle	Welding, sleeve shrinking (heat concentrated over small area)
	Wide-slot nozzle	Drying, thawing (heat spread over wider area)
	Scraper	Stripping paint and varnish



- Make sure that the tool is switched off and the nozzle has cooled down.
- Falling down nozzle may ignite objects on the floor. Nozzles must be mounted firmly and secure on the unit.
- Touching a hot nozzle can lead to serious burn. Before attaching or replacing a nozzle, allow the unit to cool down completely or use a suitable tool.
- A hot nozzle can set a surface on fire. Place down hot nozzles only on fire-proof surfaces.
- An incorrect or defective nozzle can lead to heat accumulation and damage the unit. Use only original nozzles according to the table that are suitable for your unit.

INSTRUCTIONS FOR USE

- Always observe the safety instructions and applicable regulations.
- Use only one hand to hold the tool, do not place your other hand over the air vents.

Prior to operation

- Mount the correct accessory for the application.
- Set the desired air temperature.

Switching on and off

- To switch the tool on, set the on/off switch to position 1/2/3. Some smoke may be emitted after switching on, this does not indicate a problem.
- To switch the tool off, adjust the lowest temperature to cool off, then set the on/off switch to position 0. Let the tool cool down before moving or storing it.

Temperature setting

- Turn ON/OFF switch to 1/2/3, depending on temperature you need.

Detachable front cover

- The front cover can be removed when working at a narrow area.



Be careful of the hot nozzle.

Removing the front cover increases the risk of burn with the bare hot nozzle.

Stripping paint

- Mount an appropriate accessory.
- Set a high air temperature.
- Switch the tool on.
- Direct the hot air onto the paint to be removed.
- When the paint softens, scrape the paint away using a hand scraper.



Do not strip metal window frames, as the heat may be conducted onto the glass and crack it. When stripping other window frames, use the glass protection nozzle.



Do not keep the tool directed at one spot too long to prevent igniting the surface.



Avoid collecting paint on the scraper accessory, as it may ignite. If necessary, carefully remove paint debris from the scraper accessory using a knife.

Stationary use

This tool can also be used in stationary mode.

- Place the tool onto a stable workbench.
- Secure the cable to prevent pulling the tool off the workbench.
- Carefully switch the tool on.



Make sure that the nozzle always points away from you and any bystanders.



Make sure not to drop anything onto the nozzle.

Cooling down

The nozzle and accessory become very hot during use. Let them cool down before attempting to move or store the tool.

- To reduce the cooling time, switch the tool on at the lowest air temperature setting and let it run for a few minutes.
- Switch the tool off and let it cool down for at least 30 minutes. Always place it vertical and standing.

MAINTENANCE AND CLEANING



Attention! Before performing any work on the equipment, pull the power plug.

Maintenance

- Your Power Tool has been designed to operate over a long period of time with a minimum of maintenance. Continuous satisfactory operation depends upon proper tool care and regular cleaning.

Lubrication

- Your power tool requires no additional lubrication.

Cleaning

- Keep the ventilation slots clear and regularly clean the housing with a soft cloth.

Cleaning

- Keep the ventilation slots of the machine clean to prevent overheating of the motor.
- Regularly clean the machine housing with a soft cloth, preferably after each use.
- Keep the ventilation slots free from dust and dirt.
- If the dirt does not come off use a soft cloth moistened with soapy water.



Never use solvents such as petrol, alcohol, ammonia water, etc. These solvents may damage the plastic parts.

TECHNICAL DATA

Model No:	HG5030	HG6031V	HG6030
Voltage:	120V	120V	120V
Frequency:	60Hz	60Hz	60Hz
Current:	13.0A	13.0A	13.0A
Setting:	I II	I II	I II III
Temperature: [°C]	400°C	550°C	50-350 80-550 50 350 550
[°F]	752 1022	122-662 176-1022	122 662 1022
Setting:	I II	I II	I II III
Air flow: [L/M]	200 400	200 400	200 200 400
[CFM]	7 14	7 14	7 7 14
Overall length	233mm (9-1/8")	257mm (10-1/8")	233mm (9-1/8")
Net weight	0.56kg (1.2 lbs)	0.67kg (1.5 lbs)	0.57kg (1.3 lbs)

MAKITA LIMITED ONE YEAR WARRANTY

Warranty Policy

Every Makita tool is thoroughly inspected and tested before leaving the factory. It is warranted to be free of defects from workmanship and materials for the period of ONE YEAR from the date of original purchase.

Should any trouble develop during this one year period, return the COMPLETE tool, freight prepaid, to one of Makita's Factory or Authorized Service Centers. If inspection shows the trouble is caused by defective workmanship or material, Makita will repair (or at our option, replace) without charge.

This Warranty does not apply where:

- repairs have been made or attempted by others:
- repairs are required because of normal wear and tear:
- the tool has been abused, misused or improperly maintained:
- alterations have been made to the tool.

IN NO EVENT SHALL MAKITA BE LIABLE FOR ANY INDIRECT, INCIDENTAL OR CONSEQUENTIAL DAMAGES FROM THE SALE OR USE OF THE PRODUCT. THIS DISCLAIMER APPLIES BOTH DURING AND AFTER THE TERM OF THIS WARRANTY.

MAKITA DISCLAIMS LIABILITY FOR ANY IMPLIED WARRANTIES, INCLUDING IMPLIED WARRANTIES OF "MERCHANTABILITY" AND "FITNESS FOR A SPECIFIC PURPOSE," AFTER THE ONE YEAR TERM OF THIS WARRANTY.

This Warranty gives you specific legal rights, and you may also have other rights which vary from state to state. Some states do not allow the exclusion or limitation of incidental or consequential damages, so the above limitation or exclusion may not apply to you.

Some states do not allow limitation on how long an implied warranty lasts, so the above limitation may not apply to you.

Subject to change without notice.

FRANÇAIS (Instructions originales)

USAGE PRÉVU

Votre décapeur thermique a été conçu pour décapier les peintures, souder les tuyaux, contracter le PVC, souder et modeler les plastiques ainsi que pour des applications générales de séchage et de fonte.



MISE EN GARDE : pour réduire le risque d'incendie ou de choc électrique, ne pas exposer ce produit à la pluie ou à l'humidité. L'entreposer à l'intérieur. Lire le manuel d'instruction avant utilisation.



L'outil ne doit être raccordé qu'à une alimentation de la même tension que celle indiquée sur la plaque signalétique, et il ne peut fonctionner que sur un courant secteur monophasé. Réalisé avec une double isolation, il peut de ce fait être alimenté sans mise à la terre.



Surfaces chaudes - Brûlures aux doigts ou aux mains.

DESCRIPTION

- ① Buse
- ② Interrupteur marche/arrêt (0/1/2) HG5030 & HG6031V
- ③ Interrupteur marche/arrêt (0/1/2/3) HG6030
- ④ Protection avant
- ④ Molette

CONTENU DE L'EMBALLAGE

- Vérifier que l'appareil, le cordon d'alimentation, la prise électrique et tous les accessoires n'ont pas subi de dommages au cours du transport.



MISE EN GARDE : les emballages ne sont pas des jouets ! Les enfants ne doivent pas jouer avec les sacs en plastique ! Il existe un risque de suffocation !

- 1 Décapeur thermique
- 1 Jeu d'accessoires (les accessoires ne sont pas nécessairement inclus)
- 1 Manuel d'instruction



En cas de pièces manquantes ou endommagées, contactez votre revendeur.

CONSIGNES DE SÉCURITÉ IMPORTANTES

LIRE CES INSTRUCTIONS
CONSERVER CES INSTRUCTIONS

⚠ MISE EN GARDE : il est recommandé de faire preuve de la plus grande prudence lors du décapage de la peinture. Les pelures, résidus et gaz dégagés par la peinture peuvent contenir du plomb, qui est un poison. Les peintures datant d'avant 1977 peuvent contenir du plomb et la peinture des maisons datant d'avant 1950 contient presque sûrement du plomb. Une fois le plomb appliqué sur une surface, le contact de la main avec la bouche peut entraîner une

ingestion de plomb. Même à faibles quantités, l'exposition au plomb peut causer des dégâts irréversibles au cerveau et au système nerveux ; les jeunes enfants et les enfants dans le ventre de leur mère sont particulièrement vulnérables.

Avant de décapier toute peinture, vous devez déterminer si la peinture contient du plomb. Votre service local de santé ou un professionnel utilisant un analyseur de peinture peut vérifier la teneur en plomb de la peinture à décapier. LES PEINTURES AU PLOMB DOIVENT ÊTRE DÉCAPÉES UNIQUEMENT PAR UN PROFESSIONNEL ET SANS DÉCAPEUR THERMIQUE.

Les personnes décapant de la peinture doivent respecter les consignes suivantes :

- Déplacer la pièce à décapier à l'extérieur. Si cela n'est pas possible, maintenir la zone de travail bien aérée. Ouvrir les fenêtres et installer un ventilateur d'extraction sur l'une d'elles. S'assurer que le ventilateur déplace l'air de l'intérieur vers l'extérieur.
- Retirer ou couvrir les moquettes, tapis, meubles, vêtements, ustensiles de cuisine et conduits de ventilation.
- Installer des toiles de protection sur le lieu de travail pour récupérer la peinture écaillée ou les débris de peinture. Porter des vêtements de protection tels que chemises de travail, salopettes et chapeaux.
- Travailler dans une pièce à la fois. Il est recommandé de sortir les meubles ou de les mettre au centre de la pièce et de les recouvrir. Le lieu de travail devrait être isolé hermétiquement du reste de l'habitation en scellant les ouvertures à l'aide de toiles de protection.
- Éloigner les enfants, les femmes enceintes ou potentiellement enceintes et les mères allaitantes du lieu de travail tant que le travail et le nettoyage ne sont pas terminés.
- Porter un appareil de protection des voies respiratoires normal ou à double filtre (poussières et émanations) homologué par l'Administration de la sécurité et de la santé au travail (OSHA), l'Institut national pour la sécurité et la santé (NIOSH) ou le Bureau des Mines américain. Ces appareils respiratoires et leurs filtres de remplacement sont disponibles auprès de la plupart des grands magasins de bricolage. S'assurer que le masque s'ajuste bien. La barbe et les poils du visage peuvent interférer avec l'efficacité des masques. Changer régulièrement les filtres. **LES MASQUES JETABLES EN PAPIER NE CONVIENNENT PAS.**
- Utiliser le décapeur thermique avec précautions. Déplacer le décapeur thermique constamment, car une chaleur excessive produira des émanations qui pourront être inhalées par l'utilisateur.
- Maintenir toute nourriture ou boisson hors du lieu de travail. Se laver les mains, les bras et le visage, et se rincer la bouche avant de manger ou de boire. Ne pas fumer ou mâcher du chewing-gum ou du tabac au sein du lieu de travail.
- Nettoyer toute peinture décapée et poussière des sols à l'aide d'une vadrouille humide. Utiliser un chiffon humide pour nettoyer les murs, les rebords de fenêtre et toute autre surface où

la peinture ou la poussière s'est accrochée. **NE PAS BALAYER, ÉPOUSSETER À SEC OU ASPIRER.** Utiliser un détergent à haute teneur en phosphate ou triphosphate de sodium (Na₃PO₄) pour nettoyer et laver les lieux de travail.

- En fin de travail, mettre la peinture écaillée et les débris de peinture dans un sac en plastique double, fermer soigneusement le sac avec du ruban adhésif ou un lien torsadé et le jeter conformément aux normes en vigueur.
- Retirer les vêtements de protection et les chaussures de travail sur le lieu de travail pour éviter de transporter de la poussière dans le reste de l'habitation. Nettoyer les vêtements de travail séparément. Nettoyer les chaussures avec un chiffon humide qui sera lavé avec les vêtements de travail. Laver soigneusement le corps et les cheveux à l'eau et au savon.
- Certains endroits, comme derrière des murs, plafonds, sols, panneaux de coffrage ou autres, peuvent dissimuler des matériaux inflammables qui pourraient s'enflammer lorsque le décapeur thermique est utilisé à proximité. L'ignition de ces matériaux pourrait ne pas être immédiatement apparente, et causer des dommages corporels et matériels. Au sein de ce genre d'endroits, effectuer des va-et-vient continus avec le décapeur thermique. S'arrêter ou s'attarder sur un point pourrait enflammer le panneau ou le matériau dissimulé derrière.

CONSIGNES DE SÉCURITÉ SUPPLÉMENTAIRES CONCERNANT LE DÉCAPEUR THERMIQUE

- Ne pas placer pas la main au-dessus des grilles d'aération et ne pas bloquer les ouvertures de quelque manière que ce soit.
- La buse et les accessoires de cet outil deviennent extrêmement chauds pendant l'utilisation. Laisser refroidir ces parties avant de les toucher.
- Toujours mettre l'outil hors tension avant de le poser par terre.
- Ne pas laisser l'outil sans surveillance lorsqu'il est allumé.
- Une utilisation négligente risque de provoquer un incendie.
- La chaleur peut se transmettre à des matières inflammables situées hors de la vue. Ne pas utiliser l'outil dans une atmosphère humide, où des gaz inflammables peuvent être présents ou à proximité de matières inflammables.
- Laisser l'outil refroidir complètement avant de le ranger.
- Veiller à ce que le lieu soit bien aéré, car des fumées toxiques peuvent se dégager.
- Ne pas utiliser cet outil comme sèche-cheveux.
- Ne pas boucher la prise d'air ou la buse, car cela peut produire une accumulation excessive de chaleur et abîmer l'outil.
- Ne pas diriger le jet d'air chaud vers d'autres personnes.
- Ne pas toucher la buse métallique, car elle atteint des températures très élevées pendant l'utilisation et reste très chaude jusqu'à 30 minutes ensuite.
- Ne pas placer la buse contre un objet quelconque

pendant ou immédiatement après l'utilisation.

- Ne mettre aucun objet en contact avec la buse, car vous pourriez recevoir une décharge électrique. Ne pas tourner la buse en direction de votre visage pendant que l'outil est en marche, vous risqueriez de vous brûler.
- Ne pas laisser de la peinture coller à la buse ou au grattoir, car elle risquerait de prendre feu au bout d'un certain temps.

Décapage de la peinture

- Ne pas utiliser cet outil pour décapier de la peinture au plomb. Les pelures, résidus et gaz dégagés par la peinture peuvent contenir du plomb, qui est un poison. Les bâtiments construits avant 1960 sont susceptibles de présenter des surfaces peintes avec de la peinture au plomb recouvertes par d'autres couches de peinture. Une fois le plomb appliqué sur une surface, le contact de la main avec la bouche peut entraîner une ingestion de plomb. Même à faibles quantités, l'exposition au plomb peut causer des dégâts irréversibles au cerveau et au système nerveux. Les jeunes enfants et les enfants dans le ventre de leur mère sont particulièrement vulnérables.
- Pour décapier de la peinture, s'assurer que le lieu de travail est confiné. De préférence, porter un masque antipoussière.
- Ne pas brûler la peinture. Utiliser le grattoir et tenir la buse à au moins 25 mm de la surface peinte. Pour travailler sur des surfaces verticales, appliquer un mouvement de haut en bas pour éviter que de la peinture ne tombe dans l'outil et ne prenne feu.
- Se débarrasser de tous les débris de peinture dans le respect des normes de sécurité et vérifier que le lieu de travail est parfaitement propre une fois que vous avez terminé.
- Cet outil possède une fiche polarisée (une broche est plus large que l'autre). Afin de réduire le risque de choc électrique, cette fiche est conçue pour être insérée dans une prise polarisée dans un seul sens. Si la fiche ne rentre pas entièrement dans la prise, retournez-la. Si elle ne rentre toujours pas, adressez-vous à un électricien qualifié. Ne modifiez la fiche en aucune façon.
- Si le cordon fourni est endommagé, il doit être remplacé par le fabricant, son agent de service ou des personnes possédant des qualifications similaires pour éviter tout risque.

⚠ ATTENTION : pour éviter tout danger dû à un redémarrage accidentel du rupteur thermique, cet outil ne doit pas être alimenté par un dispositif de commande externe, comme une minuterie, ou raccordé à un circuit régulièrement mis sous et hors tension par le service public.

MONTAGE ET RÉGLAGE



Débrancher toujours l'outil avant de procéder au montage et au réglage.

La température de l'air peut être réglée pour une large gamme d'applications. Le tableau ci-dessous indique les réglages pour différentes applications.






Réglage	Applications
HG6030 : 1	<ul style="list-style-type: none"> ■ Refroidissement de parties chaudes. ■ Refroidissement de machines avant changement de buse.
HG5030 : 1 HG6031V : 1 HG6030 : 2	<ul style="list-style-type: none"> ■ Séchage de peinture et de vernis. ■ Décollage d'autocollants. ■ Cirage et élimination de cire. ■ Séchage de bois d'œuvre avant remplissage. ■ Fonte de manchons et de tubes d'isolation en PVC. ■ Dégel de tuyaux.

Réglage	Applications
HG5030 : 2 HG6031V : 2 HG6030 : 3	<ul style="list-style-type: none"> ■ Soudure de plastique. ■ Modelage de tuyaux et panneaux plastiques. ■ Retrait d'écrous et de boulons rouillés ou trop serrés. ■ Retrait de peinture et de laque. ■ Soudage de joints de plomberie.



Si vous n'êtes pas sûr du réglage à utiliser, commencez à une faible température et augmentez-la progressivement jusqu'à obtenir le résultat optimal.

MONTAGE DE L'ACCESSOIRE ADÉQUAT (LE CAS ÉCHÉANT)

Pictogramme	Description	Objectif
	Buse pour la protection du verre	Pour la protection des fenêtres lors du retrait du cadre
	Buse à réflecteur	Pour le soudage de tuyaux
	Buse de réduction	Pour le soudage, le modelage de gaine (chaleur concentrée sur une petite surface)
	Buse à large fente	Pour le séchage et la décongélation (chaleur répartie sur une surface plus importante)
	Grattoir	Pour le décapage des vernis et peintures



- S'assurer que l'outil est hors tension et que la buse a refroidi.
- Une buse qui tombe peut enflammer un objet au sol. Les buses doivent être montées solidement et de manière stable sur l'appareil.
- Toucher une buse chaude peut entraîner de graves brûlures. Avant de monter ou de remplacer une buse, laisser refroidir l'appareil complètement ou utiliser un outil approprié.
- Une buse chaude peut enflammer un support. Ne poser la buse chaude que sur un support qui résiste au feu.
- Une mauvaise buse ou une buse défectueuse peut entraîner une accumulation de chaleur et endommager l'appareil. N'utiliser que des buses d'origine appropriées à votre appareil suivant le tableau.

INSTRUCTIONS D'UTILISATION

- Respecter systématiquement les consignes de sécurité et la réglementation en vigueur.
- Tenir l'outil d'une seule main. Ne pas placer l'autre main sur les grilles d'aération.

Avant l'utilisation

- Monter l'accessoire requis pour l'application.
- Sélectionner la température de l'air souhaitée.

Mise sous tension et hors tension

- Pour mettre l'outil sous tension, placer l'interrupteur marche/arrêt sur la position 1/2/3. Un peu de fumée peut s'échapper, mais cela n'indique pas nécessairement un problème.
- Pour mettre l'outil hors tension, sélectionner la température minimale pour refroidir, puis placer l'interrupteur marche/arrêt sur la position 0. Laisser l'outil refroidir avant de le déplacer ou de le ranger.

Réglage de la température

- Tourner l'interrupteur marche/arrêt sur 1/2/3, selon la température souhaitée.

Protection avant amovible

- Il est possible de retirer la protection avant pour travailler dans une zone étroite.



Soyez prudent avec la buse chaude.
Retirer la protection avant accroît le risque de se brûler avec la buse chaude nue.

Décaper la peinture

- Monter l'accessoire adéquat.
- Sélectionner une température d'air élevée.
- Mettre l'outil sous tension.
- Diriger le jet d'air chaud sur la peinture à enlever.
- Lorsque la peinture se ramollit, la retirer au moyen d'un grattoir à main.



Ne pas décaper les encadrements de fenêtre métalliques, car la chaleur peut se propager et briser le verre. Pour décaper l'encadrement d'autres fenêtres, utiliser la buse de protection du verre.



Ne pas laisser l'outil appliqué trop longtemps à un emplacement donné, vous risqueriez d'y mettre le feu.



Éviter l'accumulation de peinture sur le grattoir, car elle risque de prendre feu. Si nécessaire, retirer les débris de peinture avec précaution du grattoir à l'aide d'un couteau.

Utilisation en position fixe

Cet outil peut également s'utiliser en position fixe.

- Placer l'outil sur un établi stable.
- Fixer le câble pour éviter d'arracher l'outil de l'établi.
- Mettre prudemment l'outil sous tension.



Veiller à ce que la buse soit toujours tournée du côté opposé de vous-même et des éventuelles personnes présentes.



Ne rien faire tomber dans la buse.

Refroidissement

La buse et l'accessoire atteignent une température très élevée pendant l'utilisation. Les laisser refroidir avant de déplacer ou de ranger l'outil.

- Pour accélérer le refroidissement, régler l'outil sur la température la plus basse et le laisser tourner ainsi pendant quelques minutes.
- Mettre l'outil hors tension et le laisser refroidir au moins 30 minutes. Toujours le placer à la verticale et debout.

ENTRETIEN ET NETTOYAGE



Attention ! Débranchez la prise secteur avant toute opération d'entretien.

Entretien

- Votre outil électrique a été conçu pour fonctionner longtemps avec un minimum d'entretien. Le fonctionnement continu et satisfaisant de l'outil dépend d'un entretien adéquat et d'un nettoyage régulier.

Lubrification

- Votre outil électrique ne nécessite aucune lubrification supplémentaire.

Nettoyage

- Veiller à ce que les fentes d'aération restent propres et nettoyer régulièrement le carter à l'aide d'un chiffon doux.

Nettoyage

- Veiller à ce que les fentes d'aération de l'appareil restent propres pour éviter toute surchauffe du moteur.
- Nettoyer régulièrement le carter de l'appareil avec un chiffon doux, de préférence après chaque utilisation.
- Veiller à ce que les fentes d'aération restent exemptes de poussière et de saleté.
- Si la saleté ne part pas, utiliser un chiffon mouillé avec de l'eau savonneuse.



Ne jamais utiliser de solvants tels que l'essence, l'alcool, l'ammoniaque, etc. Ils risquent d'abîmer les pièces en plastique.

DONNÉES TECHNIQUES

No de modèle :	HG5030		HG6031V		HG6030		
Tension :	120V		120V		120V		
Fréquence :	60Hz		60Hz		60Hz		
Courant :	13.0 A		13.0 A		13.0 A		
Réglage :	I	II	I	II	I	II	III
Température : [°C]	400°C	550°C	50-350	80-550	50	350	550
[°F]	752	1022	122-662	176-1022	122	662	1022
Réglage :	I	II	I	II	I	II	III
Débit d'air : [L/M]	200	400	200	400	200	200	400
[CFM]	7	14	7	14	7	7	14
Longueur totale	233mm (9-1/8")		257mm (10-1/8")		233mm (9-1/8")		
Poids net	0,56kg (1,2 lbs)		0,67kg (1,5 lbs)		0,57kg (1,3 lbs)		

GARANTIE LIMITÉE D'UN AN MAKITA

Politique de garantie

Chaque outil Makita est rigoureusement contrôlé et testé avant sa sortie d'usine. Nous garantissons qu'il sera exempt de défaut de fabrication et de vice de matériau pour une période d'UN AN à partir de la date de son achat initial.

Si un problème quelconque devait survenir au cours de cette période d'un an, veuillez retourner l'outil COMPLET, port payé, à une usine ou à un centre de service après-vente Makita. Makita réparera l'outil gratuitement (ou le remplacera, à sa discrétion) si un défaut de fabrication ou un vice de matériau est découvert lors de l'inspection.

Cette garantie ne s'applique pas dans les cas où :

- des réparations ont été effectuées ou tentées par un tiers ;
- des réparations s'imposent suite à une usure normale ;
- l'outil a été malmené, mal utilisé ou mal entretenu ;
- l'outil a subi des modifications.

MAKITA DÉCLINE TOUTE RESPONSABILITÉ POUR TOUT DOMMAGE ACCESSOIRE OU INDIRECT LIÉ À LA VENTE OU À L'UTILISATION DU PRODUIT. CET AVIS DE NON-RESPONSABILITÉ S'APPLIQUE À LA FOIS PENDANT ET APRÈS LA PÉRIODE COUVERTE PAR CETTE GARANTIE.

MAKITA DÉCLINE TOUTE RESPONSABILITÉ QUANT À TOUTE GARANTIE TACITE, INCLUANT LES GARANTIES TACITES DE « QUALITÉ MARCHANDE » ET « ADÉQUATION À UN USAGE PARTICULIER » APRÈS LA PÉRIODE D'UN AN COUVERTE PAR CETTE GARANTIE.

Cette garantie vous donne des droits spécifiques reconnus par la loi, et possiblement d'autres droits, qui varient d'un État à l'autre. Certains États ne permettant pas l'exclusion ou la limitation des dommages accessoires ou indirects, il se peut que la limitation ou exclusion ci-dessus ne s'applique pas à vous.

Certains États ne permettant pas la limitation de la durée d'application d'une garantie tacite, il se peut que la limitation ci-dessus ne s'applique pas à vous.

Sujet à modification sans préavis.

ESPAÑOL (Instrucciones originales)

USO PREVISTO

Su pistola de calor ha sido diseñada para remover pintura, soldar tuberías, encoger PVC, soldar y curvar plástico, así como secar y descongelar en general.



ADVERTENCIA: para reducir el riesgo de incendio o de descarga eléctrica, no exponga este equipo a la lluvia o humedad. Almacene en el interior. Lea el manual de instrucciones antes de usar.



La herramienta debe conectarse solamente a una fuente de alimentación de la misma tensión que la indicada en la placa de características, y sólo puede funcionar con corriente alterna monofásica. El sistema de doble aislamiento de la herramienta puede, por lo tanto, usarse también en enchufes hembra sin conductor de tierra.



Superficies calientes - Quemaduras de los dedos o las manos.

DESCRIPCIÓN

- 1 Boquilla
- 2 Interruptor encendido/apagado (0/1/2) HG5030 & HG6031V
Interruptor encendido/apagado (0/1/2/3) HG6030
- 3 Protección frontal
- 4 Rueda de ajuste

CONTENIDO DE LA CAJA

- Verifique que no haya daños de transporte en la herramienta, el cable de alimentación, el enchufe eléctrico y todos los accesorios.



ADVERTENCIA: ¡Los materiales de embalaje no son juguetes! ¡Los niños no deben jugar con bolsas plásticas! ¡Existe un peligro de asfixia!

- 1 Pistola de calor
- 1 Juego de accesorios (los accesorios no están necesariamente incluidos)
- 1 Manual de instrucciones



En el caso que falten piezas o que haya piezas dañadas, póngase en contacto con el vendedor.

INSTRUCCIONES DE SEGURIDAD IMPORTANTES

LEA ESTAS INSTRUCCIONES
GUARDE ESTAS INSTRUCCIONES

ADVERTENCIA: es importante tener mucho cuidado al remover pintura. La capa desprendida, los residuos y los vapores de pintura pueden contener plomo, que es tóxico. Cualquier pintura aplicada

antes de 1977 puede contener plomo, y es probable que la pintura aplicada a casas construidas antes de 1950 contenga plomo. En caso de retirar pintura con contenido de plomo, el contacto entre las manos y la boca puede causar una ingestión de plomo. Incluso una exposición a cantidades muy reducidas de plomo puede causar daños irreversibles al cerebro y al sistema nervioso; los niños pequeños y en gestación son particularmente vulnerables.

Este aparato no se destina para utilizarse por personas (incluyendo niños) cuyas capacidades físicas, sensoriales o mentales sean diferentes o estén reducidas o carezcan de experiencia o de conocimiento, a menos que dichas personas reciban una supervisión o capacitación para el funcionamiento del aparato por una persona responsable de su seguridad.

Los niños deben supervisarse para asegurar que ellos no empleen los aparatos como juguete.

Si el cordón de alimentación es dañado éste debe sustituirse por el fabricante, por su agente de servicio autorizado o por personal calificado con el fin de evitar un peligro.

Antes de comenzar el proceso de remover pintura, debería determinar si la pintura a remover contiene plomo. Esto puede hacerlo su centro local de salud o un profesional que use un analizador de pintura para verificar el contenido de plomo de la pintura a remover. LA PINTURA A BASE DE PLOMO SÓLO DEBE SER REMOVIDA POR UN PROFESIONAL Y NO DEBERÍA SER REMOVIDA USANDO UNA PISTOLA DE CALOR.

Las personas que remuevan la pintura deben respetar estas pautas:

- Coloque la pieza de trabajo en el exterior. Si esto no es posible, el área de trabajo debe de estar bien ventilada. Abra las ventanas y coloque un ventilador de extracción en una de ellas. Asegúrese que el ventilador mueve el aire de adentro hacia afuera.
- Quite o cubra alfombras, tapetes, muebles, ropa, utensilios de cocina y conductos de aire.
- Coloque láminas de protección en el área de trabajo para atrapar astillas o pedazos de pintura. Vista ropa protectora como camisas de trabajo adicionales, overoles y cascos.
- Trabaje en un cuarto a la vez. Debe quitar el mobiliario o colocarlo en medio del cuarto y cubrirlo. El área de trabajo debe de ser aislado del resto de la vivienda, sellando las puertas con láminas de protección.
- Niños, mujeres embarazadas o probablemente embarazadas y madres lactantes no deben estar presentes en el área de trabajo hasta que el trabajo y la limpieza hayan sido finalizados.
- Utilice una máscara de respiración antipolvo o una máscara de respiración de doble filtro (polvo y vapor) que haya sido aprobada por la Occupational Safety and Health Administration (OSHA), el National Institute of Safety and Health (NIOSH) o el United States Bureau of Mines. Puede obtener estas máscaras y sus filtros reemplazables en las grandes ferreterías. Asegúrese que la máscara le queda bien. La

barba y el vello facial pueden impedir un sellado correcto de la máscara. Cambie los filtros regularmente. **LAS MÁSCARAS DESECHABLES DE PAPEL NO SON ADECUADAS.**

- Tenga precaución cuando opere la pistola de calor. La pistola de calor debe permanecer en movimiento ya que el exceso de calor genera humo que puede ser inhalado por el operador.
- Mantenga la comida y las bebidas fuera del área de trabajo. Lávese las manos, los brazos y la cara y enjuáguese la boca antes de comer o beber. No fume o mastique chicle o tabaco en el área de trabajo.
- Limpie la pintura removida y el polvo en el suelo con un trapeador mojado. Utilice un trapo húmedo para limpiar todas las paredes, umbrales y cualquier otra superficie donde haya pintura o polvo. **NO LIMPIE CON UNA ESCOBA, UN TRAPO SECO O UNA ASPIRADORA.** Use un detergente con un alto nivel de fosfato o fosfato trisódico (TSP) para lavar y trapear las áreas.
- Al final de cada sesión de trabajo, coloque los pedazos de pintura y los residuos dentro de una bolsa de plástico doble, cierre la bolsa con cinta adhesiva o un lazo de enrolllo y deshágase de ella correctamente.
- Qúitese la ropa protectora y los zapatos de trabajo dentro del área de trabajo para no esparcir el polvo en el resto de la vivienda. Lave la ropa de trabajo por separado. Limpie los zapatos con un trapo mojado que luego será lavado con la ropa de trabajo. Lávese minuciosamente el cabello y el cuerpo con jabón y agua.
- Las áreas ocultas, como detrás de paredes, techos, pisos, parte de abajo de tablas u otros paneles, pueden contener materiales inflamables que podrían encenderse al usar la pistola de calor cuando trabaje en estos lugares. Estos materiales podrían encenderse en forma imperceptible al comienzo, lo que podría resultar en daños de propiedad y lesiones a personas. Cuando trabaje en este tipo de lugares, mantenga la pistola de calor en movimiento, hacia atrás y hacia adelante. El detenerse o pausar en un lugar podría encender el panel o los materiales que se encuentran detrás del mismo.

INSTRUCCIONES ADICIONALES DE SEGURIDAD PARA LA PISTOLA DE CALOR

- No coloque la mano por encima de las rejillas de ventilación y no las bloquee de ninguna manera.
- La boquilla y los accesorios de esta herramienta alcanzan temperaturas extremadamente elevadas durante el uso. Deje que estos elementos se enfríen antes de tocarlos.
- Apague siempre la herramienta antes de colocarla en algún lugar.
- No deje la herramienta encendida sin supervisión.
- Si el aparato no se utiliza con cuidado puede provocar un incendio.
- El calor se puede transmitir a materiales combustibles que están fuera de la vista. No utilice el aparato en un ambiente húmedo donde

puedan existir gases inflamables ni en la proximidad de materiales combustibles.

- Deje que la herramienta se enfríe por completo antes de guardarla.
- Asegure una ventilación adecuada, ya que se puede generar humo tóxico.
- No utilice el aparato como secador de pelo.
- No obstruya la entrada de aire ni la salida de la boquilla, ya que se puede generar una acumulación excesiva de calor y provocar daños en la herramienta.
- No dirija el chorro de aire caliente hacia personas.
- No toque la boquilla de metal ya que se pone muy caliente durante el funcionamiento y sigue así hasta 30 minutos después de utilizar.
- No permita que la boquilla permanezca en contacto con ningún otro objeto mientras la utilice.
- No deje caer nada en el interior de la boquilla ya que podría recibir una descarga eléctrica. No mire al interior de la boquilla durante el funcionamiento del aparato, ya que produce temperaturas elevadas.
- No permita que se adhiera pintura a la boquilla o al rascador, ya que se podría inflamar al cabo de un rato.

REMOVER LA PINTURA

- No utilice esta herramienta para retirar pintura que contenga plomo. La capa desprendida, los residuos y los vapores de pintura pueden contener plomo, que es tóxico. En cualquier edificio construido antes de 1960 se puede haber utilizado pintura con contenido de plomo que puede estar cubierta por capas de pintura adicionales.

En caso de retirar pintura con contenido de plomo, el contacto entre las manos y la boca puede causar una ingestión de plomo. Incluso una exposición a cantidades muy reducidas de plomo puede causar daños irreversibles al cerebro y al sistema nervioso. Los niños pequeños y en gestación son particularmente vulnerables.

- Cuando quite la pintura, asegúrese de que el área de trabajo queda cerrada. Es recomendable que utilice una máscara contra el polvo.
- No queme la pintura. Utilice el rascador y mantenga la boquilla a una distancia de al menos 25 mm de la superficie pintada. Al proceder en dirección vertical, trabaje desde arriba hacia abajo para evitar que se caiga pintura al interior de la herramienta y se queme dentro.
- Deseche con seguridad todos los residuos de pintura y asegúrese de limpiar a fondo la zona al finalizar el trabajo.
- Esta herramienta cuenta con un enchufe polarizado (una cuchilla es más ancha que la otra). Para reducir el riesgo de una descarga eléctrica, el enchufe encajará en un tomacorriente polarizado en una sola posición. Si el enchufe no encaja por completo en el tomacorriente, inviértalo. Si con ello sigue sin encajar, llame a un electricista calificado. No modifique el enchufe de manera alguna.
- Si el cable de alimentación está dañado, el fabricante, su agente de servicio o personas cualificadas de forma similar debe reemplazarlo para evitar un peligro.

⚠ PRECAUCIÓN. A fin de evitar un riesgo debido al reajuste manual después de una desconexión térmica, esta herramienta no se debe alimentar a través de un aparato de conmutación externa, como un temporizador, o conectarse a un circuito que la empresa de servicios públicos encienda y apague con regularidad.

MONTAJE Y AJUSTE



Antes de proceder al montaje y ajuste, desenchufe siempre la herramienta.

La temperatura del aire se puede ajustar para una amplia gama de aplicaciones. La siguiente tabla propone ajustes para diferentes aplicaciones.

Ajuste	Aplicaciones
HG6030: 1	<ul style="list-style-type: none"> ■ Enfriamiento de partes calientes. ■ Enfriamiento de máquinas antes de cambiar la boquilla.

Ajuste	Aplicaciones
HG5030: 1	■ Secado de pintura y barniz.
HG6031V: 1	■ Eliminación de pegatinas.
HG6030: 2	<ul style="list-style-type: none"> ■ Encerado y retirada de la cera. ■ Secado de maderos húmedos antes de su tratamiento. ■ Contracción de revestimientos de PVC y de tubos aislantes. ■ Descongelación de tuberías heladas.
HG5030: 2	■ Soldadura de plásticos.
HG6031V: 2	■ Moldeo de tuberías y planchas de plástico.
HG6030: 3	<ul style="list-style-type: none"> ■ Aflojado de tuercas y tornillos oxidados o fuertemente apretados. ■ Eliminación de pintura y esmalte. ■ Soldadura de empalmes de plomería.



Si tiene dudas con respecto al ajuste correcto, empiece con un nivel de temperatura bajo y vaya aumentando paulatinamente la temperatura hasta conseguir un resultado óptimo.

MONTAJE DEL ACCESORIO ADECUADO (SI PROCEDE)

Icono	Descripción	Objetivo
	Boquilla de protección para vidrio	Protección de las ventanas cuando se estén decapando marcos
	Boquilla reflectora	Soldadura de tuberías
	Boquilla de reducción	Soldadura, contracción de manguitos (concentración de calor en una zona reducida)
	Boquilla con ranura grande	Secado, descongelación (calor difundido sobre una zona extensa)
	Rascador	Decapado de pintura y barniz



- Compruebe que la herramienta está desconectada y la boquilla se ha enfriado.
- En caso de caída, las boquillas pueden incendiar objetos en el suelo. Las boquillas deben estar firmemente montadas y aseguradas en el aparato.
- El contacto con una boquilla caliente puede causar graves quemaduras. Antes de montar o cambiar una boquilla, deje que el aparato se enfríe por completo o utilice una herramienta apropiada.
- Una boquilla caliente puede incendiar superficies. Coloque las boquillas calientes únicamente en superficies refractarias.
- Una boquilla inadecuada o defectuosa puede causar una acumulación de calor y daños en el aparato. Utilice únicamente las boquillas originales que aparecen en la tabla.

INSTRUCCIONES DE USO

- Observe siempre las instrucciones de seguridad y los reglamentos aplicables.
- Sujete la herramienta con una sola mano y no coloque la otra mano encima de las rejillas de ventilación.

Antes del uso

- Monte el accesorio adecuado para la aplicación.
- Ajuste la temperatura del aire.

Encender y apagar

- Para encender la herramienta, ponga el interruptor encendido/apagado en la posición 1/2/3. Puede salir algo de humo después del encendido; esto no indica necesariamente un problema.
- Para apagar la herramienta, ponga el interruptor encendido/apagado en la posición 0. Deje que la herramienta se enfríe antes de trasladarla o guardarla.

Ajustar la temperatura

- Gire el interruptor encendido/apagado en 1/2/3, dependiendo de la temperatura que necesite.

Protección frontal removible

- La protección frontal puede retirarse para trabajar en una zona estrecha.



Tenga cuidado con la boquilla caliente. Retirar la protección frontal aumenta el riesgo de quemarse con la boquilla caliente desnuda.

Decapar pintura

- Monte el accesorio adecuado.
- Ajuste la temperatura del aire para que salga caliente.
- Encienda la herramienta.
- Dirija el aire caliente hacia la pintura a remover.
- Cuando se reblandezca la pintura, levántela raspando con un rascador de mano.



No decape marcos de ventanas metálicas, ya que el calor podría transmitirse al vidrio y quebrarlo. Cuando decape marcos de otras ventanas, utilice la boquilla de protección de vidrio.



No mantenga la herramienta dirigida a un mismo punto durante demasiado tiempo para no quemar la superficie.



No deje que se acumule la pintura en el rascador ya que se podría incendiar. En caso de ser necesario, retire los residuos de pintura del rascador utilizando un cuchillo.

Uso estático

Esta herramienta también se puede utilizar en modo estático.

- Coloque la herramienta en un banco de trabajo estable.
- Fije el cable para impedir que tire de la herramienta fuera del banco de trabajo.
- Encienda la herramienta con precaución.



Asegúrese de que la boquilla siempre apunte lejos de usted y de quienes lo acompañan.



Asegúrese de que no cae nada dentro de la boquilla.

Enfriamiento

La boquilla y los accesorios se ponen muy calientes durante el uso. Deje que se enfríen antes de trasladar o guardar la herramienta.

- Para reducir el tiempo de enfriamiento, ponga en marcha la herramienta ajustada a la temperatura mínima y déjala funcionar así durante algunos minutos.
- Apague la herramienta y deje que se enfríe durante mínimo 30 minutos. Coloque siempre la herramienta en posición vertical y de pie.

MANTENIMIENTO Y LIMPIEZA



¡Atención! Antes de realizar cualquier trabajo en el aparato, desconéctelo del suministro eléctrico.

Mantenimiento

- Su herramienta eléctrica está diseñada para funcionar durante un largo periodo de tiempo con un mínimo de mantenimiento. El funcionamiento continuo satisfactorio depende del cuidado adecuado de la herramienta y de su limpieza regular.

Lubricación

- Su herramienta eléctrica no requiere ninguna lubricación adicional.

Limpeza

- Evite que se obstruyan las ranuras de ventilación y limpie el exterior con regularidad utilizando un paño suave.

Limpeza

- Mantenga las ranuras de ventilación de la máquina limpias para evitar que el motor se sobrecaliente.
- Limpie regularmente el exterior de la máquina con un paño suave, de preferencia después de cada uso.

- Mantenga las ranuras de ventilación libres de polvo y suciedad.
- Si no logra eliminar la suciedad, utilice un paño suave humedecido con agua jabonosa.



No utilice nunca disolventes como petróleo, alcohol, amoníaco, etc. Estos disolventes pueden dañar los elementos de plástico.

DATOS TÉCNICOS

No. de modelo:	HG5030		HG6031V		HG6030		
Tensión:	120V		120V		120V		
Frecuencia:	60Hz		60Hz		60Hz		
Corriente:	13 A		13 A		13 A		
Ajuste:	I	II	I	II	I	II	III
Temperatura: [°C]	400°C	550°C	50-350°C	80-550°C	50°C	350°C	550°C
[°F]	752	1022	122-662	176-1022	122	662	1022
Ajuste:	I	II	I	II	I	II	III
Flujo de aire: [L/M]	200 L/min (0,003m³/s)	400 L/min (0,006m³/s)	200 L/min (0,003m³/s)	400 L/min (0,006m³/s)	200 L/min (0,003m³/s)	200 L/min (0,003m³/s)	400 L/min (0,006m³/s)
[CFM]	7	14	7	14	7	7	14
Longitud total	233mm (9-1/8")		257mm (10-1/8")		233mm (9-1/8")		
Peso neto	0,56kg (1,2 lbs)		0,67kg (1,5 lbs)		0,57kg (1,3 lbs)		

GARANTÍA LIMITADA MAKITA DE UN AÑO

Política de garantía

Cada herramienta Makita es inspeccionada y probada exhaustivamente antes de salir de fábrica. Se garantiza que va a estar libre de defectos de mano de obra y materiales por el periodo de UN AÑO a partir de la fecha de adquisición original.

Si durante este periodo de un año se desarrollase algún problema, retorne la herramienta COMPLETA, porte pagado con antelación, a una de las fábricas o centros de servicio autorizados Makita. Si la inspección muestra que el problema ha sido causado por mano de obra o material defectuoso, Makita la reparará (o a nuestra opción, reemplazará) sin cobrar.

Esta garantía no será aplicable cuando:

- se hayan hecho o intentado hacer reparaciones por otros;
- se requieran reparaciones debido al desgaste normal;
- la herramienta haya sido abusada, mal usada o mantenida indebidamente;
- se hayan hecho alteraciones a la herramienta.

EN NINGÚN CASO MAKITA SE HARÁ RESPONSABLE DE NINGÚN DAÑO INDIRECTO, FORTUITO O CONSECUENCIAL DERIVADO DE LA VENTA O USO DEL PRODUCTO. ESTA RENUNCIA SERÁ APLICABLE TANTO DURANTE COMO DESPUÉS DEL TÉRMINO DE ESTA GARANTÍA.

MAKITA RENUNCIA LA RESPONSABILIDAD POR CUALQUIER GARANTÍA IMPLÍCITA, INCLUYENDO GARANTÍAS IMPLÍCITAS DE "COMERCIALIDAD" E "IDONEIDAD PARA UN FIN ESPECÍFICO", DESPUÉS DEL TÉRMINO DE UN AÑO DE ESTA GARANTÍA.

Esta garantía le concede a usted derechos legales específicos, y usted podrá tener también otros derechos que varían de un Estado a otro. Algunos Estados no permiten la exclusión o limitación de daños fortuitos o consecuenciales, por lo que es posible que la antedicha limitación o exclusión no le sea de aplicación a usted.

Algunos Estados no permiten limitación sobre la duración de una garantía implícita, por lo que es posible que la antedicha limitación no le sea de aplicación a usted.

Información sujeta a cambios sin previo aviso.

< USA only >

WARNING

Some dust created by power sanding, sawing, grinding, drilling, and other construction activities contains chemicals known to the State of California to cause cancer, birth defects or other reproductive harm. Some examples of these chemicals are:

- lead from lead-based paints,
- crystalline silica from bricks and cement and other masonry products, and
- arsenic and chromium from chemically-treated lumber.

Your risk from these exposures varies, depending on how often you do this type of work. To reduce your exposure to these chemicals: work in a well ventilated area, and work with approved safety equipment, such as those dust masks that are specially designed to filter out microscopic particles.

< Sólo en los Estados Unidos >

ADVERTENCIA

Algunos polvos creados por el lijado, aserrado, esmerilado, taladrado y otras actividades de la construcción contienen sustancias químicas reconocidas por el Estado de California como causantes de cáncer, defectos de nacimiento y otros peligros de reproducción. Algunos ejemplos de estos productos químicos son:

- plomo de pinturas a base de plomo,
- sílice cristalino de ladrillos y cemento y otros productos de albañilería, y
- arsénico y cromo de maderas tratadas químicamente.

El riesgo al que se expone varía, dependiendo de la frecuencia con la que realice este tipo de trabajo. Para reducir la exposición a estos productos químicos: trabaje en un área bien ventilada y póngase el equipo de seguridad indicado, tal como las máscaras contra polvo que están especialmente diseñadas para filtrar partículas microscópicas.

Makita Corporation

3-11-8, Sumiyoshi-cho,
Anjo, Aichi 446-8502 Japan

www.makita.com

HG5030-NA3-1801
PRL/CRS