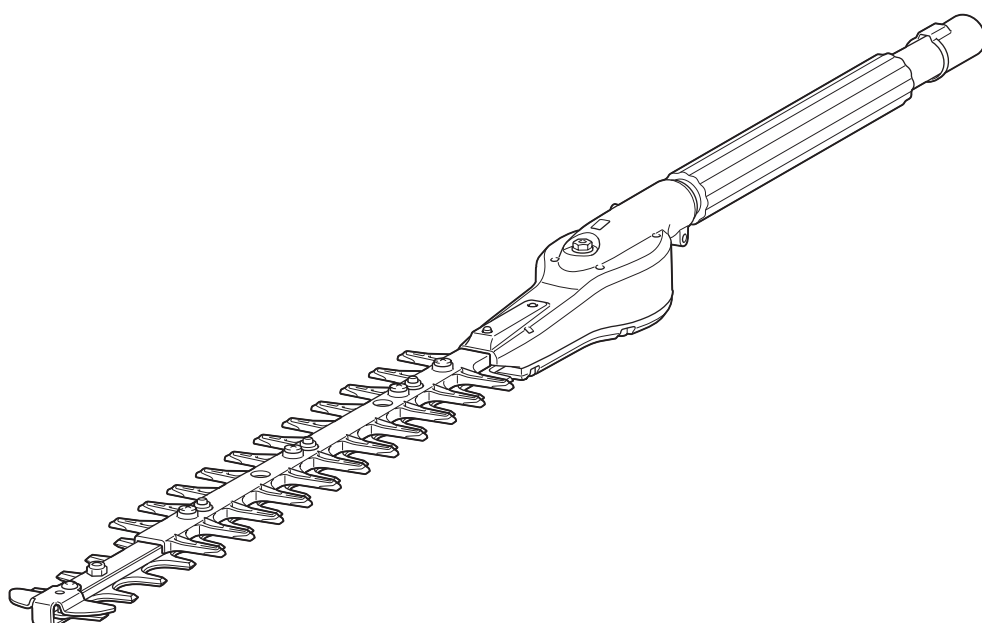




EN	Hedge Trimmer Attachment	INSTRUCTION MANUAL	4
FRCA	Tête Taille-Haie à Perche	MANUEL D'INSTRUCTION	8
ESMX	Accesorio para Cortasetos	MANUAL DE INSTRUCCIONES	13
PTBR	Implemento Aparador de Cerca Viva	MANUAL DE INSTRUÇÕES	17
ID	Alat Pelengkap Pemotong Pagar	PETUNJUK PENGGUNAAN	21
VI	Phụ tùng máy tỉa hàng rào	TÀI LIỆU HƯỚNG DẪN	25
TH	อุปกรณ์ต่อพ่วงเครื่องตัดแต่งพุ่มไม้	คู่มือการใช้งาน	29
ZHCN	高枝绿篱机刀头总成	使用说明书（保留备用。）	34
ZHTW	樹籬剪組件	使用說明書	38
KO	전정기	취급 설명서	42

## EN410MP



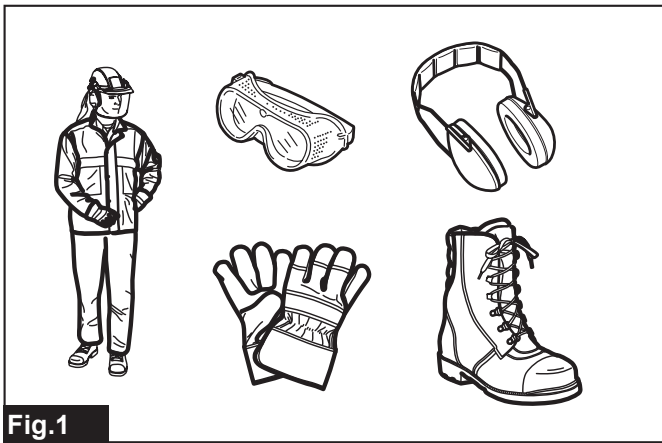


Fig.1

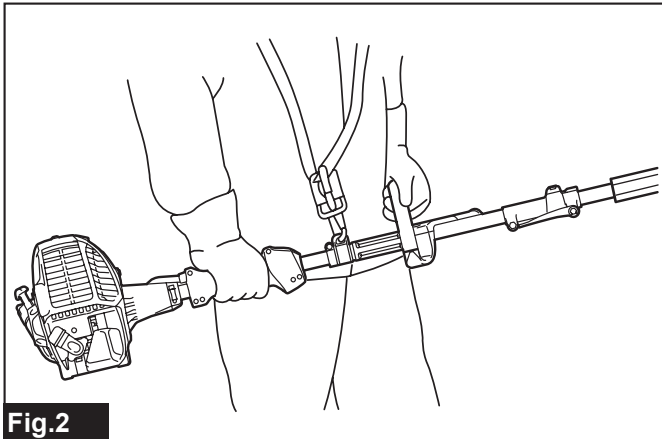


Fig.2

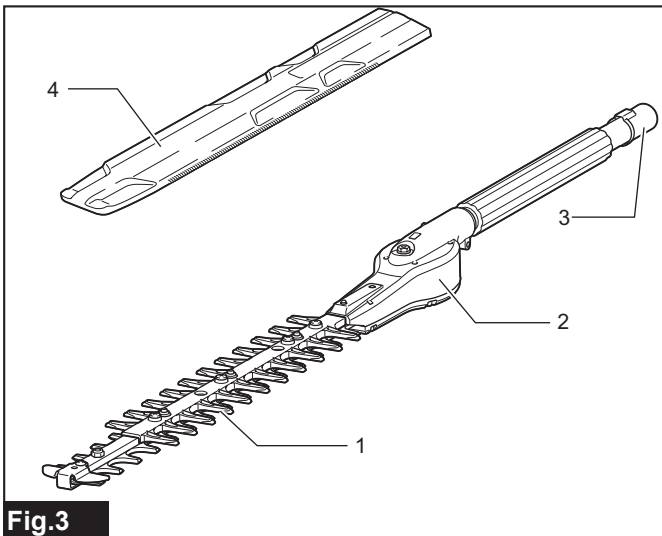


Fig.3

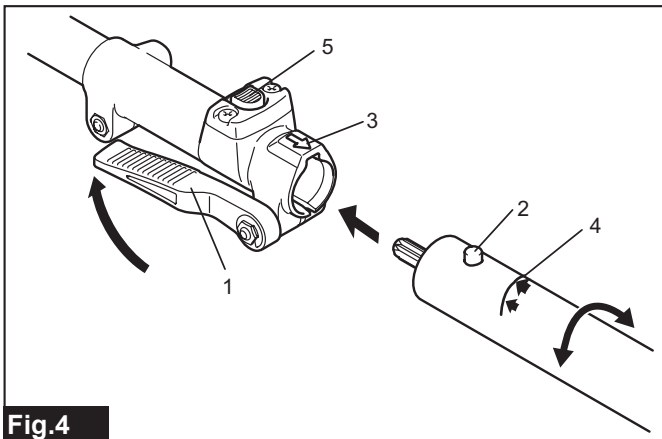


Fig.4

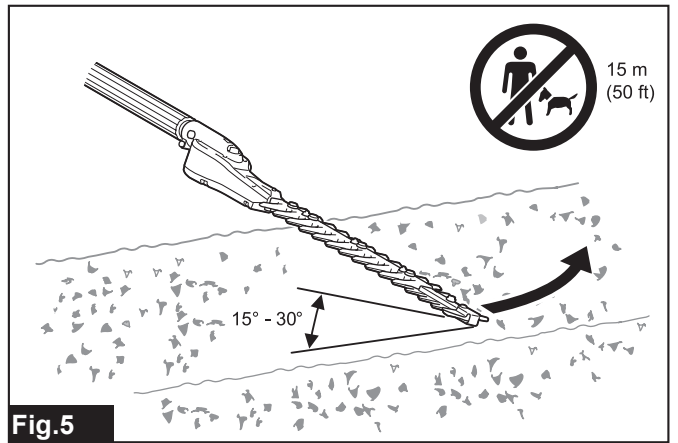


Fig.5

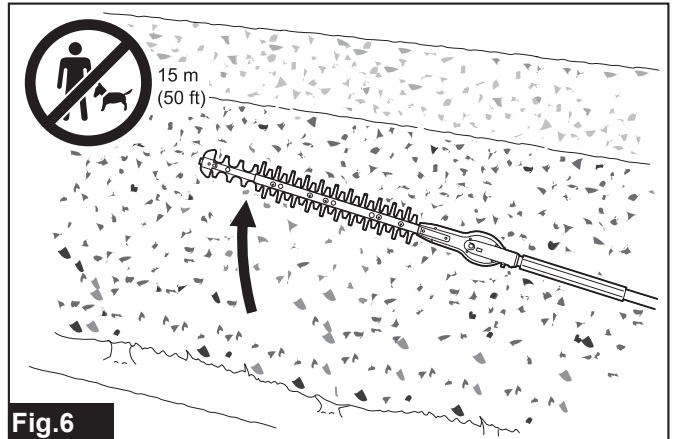


Fig.6

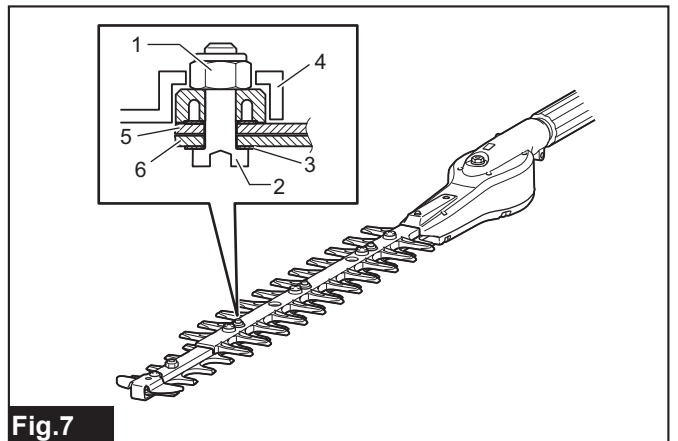


Fig.7

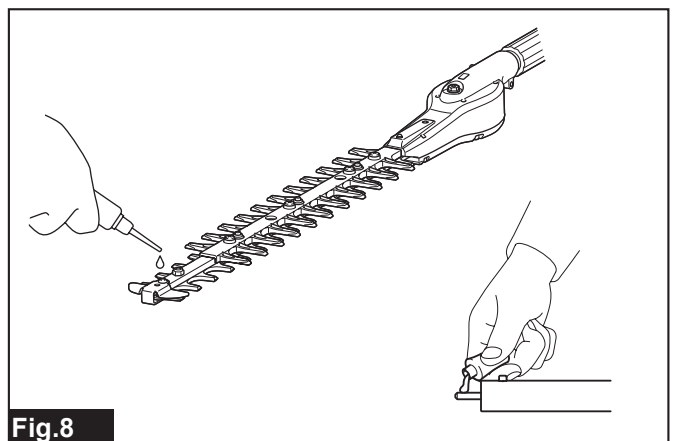
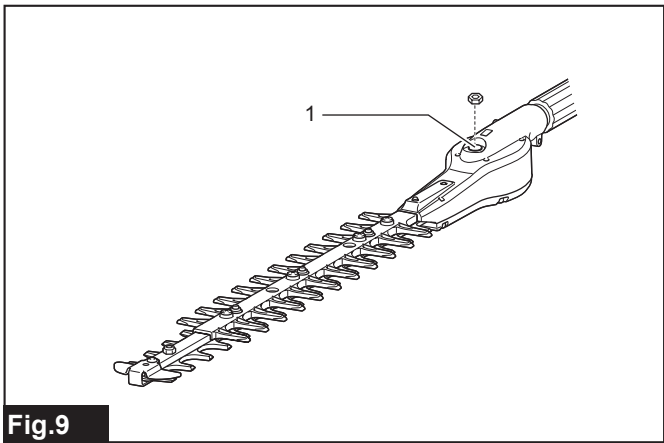
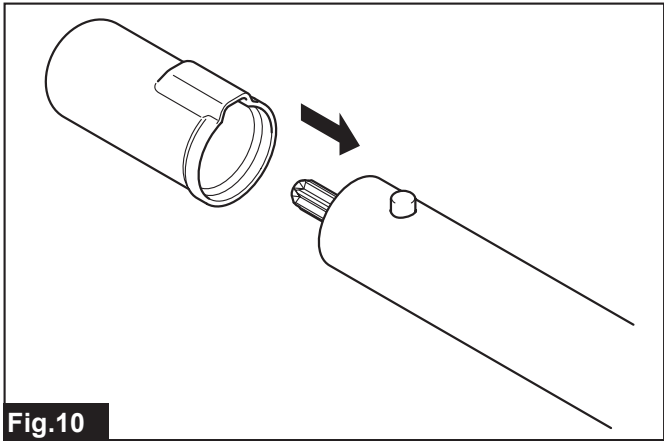


Fig.8



**Fig.9**



**Fig.10**

## SPECIFICATIONS

<b>Model:</b>	<b>EN410MP</b>
Dimensions (L x W x H)	1,104 x 85 x 61 (43-1/2" x 3-3/8" x 2-3/8")
Net weight	2.0 kg (4.5 lbs)
Effective cutting length	490 mm (19-1/4")
Gear ratio	1 : 4.7

- Due to our continuing program of research and development, the specifications herein are subject to change without notice.
- Specifications may differ from country to country.

### Approved power unit

**⚠WARNING:** Never use the attachment with non-approved power unit. Non-approved combination may cause serious injury.

This attachment is approved to use only with the following power unit(s):

- (Multi Function Power Head)  
EX2650LH
- (Cordless Multi Function Power Head)  
BUX360, BUX361, BUX362, UX360D, UX361D, UX362D,  
DUX60, XUX01

### Approved attachment












**⚠WARNING:** Never use a non-approved attachment. Non-approved combination may cause serious injury.

This attachment is approved to use only with the following attachment(s):

- (Shaft extension attachment)  
LE400MP

### Symbols

The following show the symbols used for the equipment. Be sure that you understand their meaning before use.

	Read and follow the instruction manual.
	Take particular care and attention!
	Forbidden!
	Beware of electrical lines. Risk of electrical shock.
	Beware of pinching.
	Wear protective gloves.
	Wear protective helmet, eye and ear protection.
	Wear sturdy boots with non-slip soles.
	Keep bystanders and animals at least 15 m (50 ft) away from the power tool.
	Keep the area of operation clear of all persons and pets.
	First aid

### Intended use

This attachment is designed for only the purpose of trimming shrubs and hedges in conjunction with an approved power unit. Never use the attachment for the other purpose. Abusing the attachment may cause serious injury.

## SAFETY WARNINGS

### IMPORTANT SAFETY INSTRUCTIONS

**⚠WARNING:** Read all safety warnings and all instructions in this booklet and the instruction manual of the power unit. Failure to follow the warnings and instructions may result in electric shock, fire and/or serious injury.

**⚠WARNING:** Save all warnings and instructions for future reference.

The term "hedge trimmer" and "equipment" in the warnings and precautions refer to the combination of the attachment and the power unit.

The term "motor" in the warnings and precautions refers to the engine or electric motor of the power unit.

### General precautions

1. Before starting the hedge trimmer, read this booklet and the instruction manual of the power unit to become familiar with the handling of the hedge trimmer.
2. Do not lend the attachment to a person with insufficient experience or knowledge regarding handling of hedge trimmers.
3. When lending the attachment, always attach this instruction manual.
4. Do not allow children or young persons under 18 years old to use the hedge trimmer. Keep them away from the hedge trimmer.
5. Handle the hedge trimmer with the utmost care and attention.
6. Never use the hedge trimmer after consuming alcohol or drugs, or if feeling tired or ill.
7. Never attempt to modify the attachment.
8. Follow the regulations about handling of hedge trimmers in your country.

### Personal protective equipment

#### ► Fig.1

1. Wear safety helmet, protective goggles and protective gloves to protect yourself from flying debris or falling objects.
2. Wear ear protection such as ear muffs to prevent hearing loss.
3. Wear proper clothing and shoes for safe operation, such as a work overall and sturdy, non-slip shoes. Do not wear loose clothing or jewelry. Loose clothes, jewelry or long hair can be caught in moving parts.
4. When touching blades or adjusting the blade angle, wear protective gloves. Blades can cut bare hands severely.

## Work area safety

**⚠WARNING:** Keep the hedge trimmer away from electric lines and communication cables. Touching or approaching high-voltage lines with hedge trimmer can result in death or serious injury. Watch power lines and electrical fences around the work area before starting operation.

**⚠WARNING:** Use of this product can create dust containing chemicals which may cause respiratory or other illnesses. Some examples of these chemicals are compounds found in pesticides, insecticides, fertilizers and herbicides. Your risk from these exposures varies, depending on how often you do this type of work. To reduce your exposure to these chemicals: work in a well ventilated area, and work with approved safety equipment, such as those dust masks that are specially designed to filter out microscopic particles.

1. Operate the hedge trimmer under good visibility and daylight conditions only. Do not operate the hedge trimmer in darkness or fog.
2. Start and operate the engine only outdoors in a well ventilated area. Operation in a confined or poorly ventilated area can result in death due to suffocation or carbon monoxide poisoning.
3. During operation, never stand on an unstable or slippery surface or a steep slope. During the cold season, beware of ice and snow and always ensure secure footing.
4. During operation, keep bystanders or animals at least 15 m away from the hedge trimmer. Stop the motor as soon as someone approaches.
5. Before operation, examine the work area for wire fences, stones, or other solid objects. They can damage the blades.

## Putting into operation

1. Before assembling or adjusting the equipment, switch off the motor and remove the spark plug cap or the battery cartridge.
2. Before assembling the blades or adjusting the cutting angle, wear protective gloves.
3. Before starting the motor, inspect the equipment for damages, loose screws/nuts or improper assembly. Replace if the blades are cracked, bent, or damaged. Check all control levers and switches for easy action. Clean and dry the handles.
4. Never attempt to start the motor if the equipment is damaged or not fully assembled. Otherwise serious injury may result.
5. Adjust the shoulder harness and hand grip to suit the operator's body size.

## Operation

1. In the event of an emergency, switch off the motor immediately.
2. If you feel any unusual condition (e.g. noise, vibration) during operation, switch off the motor. Do not use the hedge trimmer until the cause is recognized and solved.
3. The blades continue to move for a short period after releasing the throttle trigger or switch off the motor. Don't rush to contact the blades.
4. With the engine running only at idle, attach the shoulder harness.
5. During operation, use the shoulder harness. Keep the hedge trimmer on your right side firmly.

### ► Fig.2

6. Hold the front handle with the left hand and the rear grip with the right hand, no matter you are right-hander or left-hander. Wrap your fingers and thumbs around the handles.
7. Never attempt to operate the equipment with one hand. Loss of control may result in serious or fatal injury. To reduce the risk of cut injuries, keep your hands and feet away from the blades.
8. Do not overreach. Keep proper footing and balance at all times. Watch for hidden obstacles such as tree stumps, roots and ditches to avoid stumbling. Clear fallen branches and other objects away.
9. Never work on a ladder or tree to avoid loss of control.
10. Do not hold the machine above shoulder height.
11. During operation, never hit the blades against hard obstacles such stones and metals. Take particular care when cutting hedges next to or against wire fences. When working close to the ground, make sure that no sand, grit or stones get between the blades.
12. If the blades come into contact with stones or other solid objects, stop the motor immediately and check the blades for damage after removing the spark plug or the battery cartridge. Replace the blades if damaged.
13. If thick branches get jammed in the blades, immediately switch off the motor, put the hedge trimmer down and then remove the obstruction after removing the spark plug or the battery cartridge. Check the blades for damage before using the equipment again.

14. Never touch or approach the blades while they are moving. Blades can cut your finger easily. When handling the blades or adjusting the blade angle, stop the motor and remove the spark plug cap or the battery cartridge.
15. Accelerating the motor with the blades blocked increases the load and will damage the motor and/or clutch.
16. Check the cutting blades frequently during operation for cracks or blunt edges. Before the inspection, switch off the motor and wait until the blades stop completely. Replace damaged or dull blades immediately, even if they have only superficial cracks.
17. If the equipment gets heavy impact or fall, check the condition before continuing work. Check the fuel system for fuel leakage and the controls and safety devices for malfunction. If there is any damage or doubt, ask our authorized service center for the inspection and repair.
18. Do not touch the gear case. The gear case becomes hot during operation.
19. Take a rest to prevent loss of control caused by fatigue. We recommend to take a 10 to 20-minute rest every hour.
20. When you leave the equipment, even if it is a short time, always switch off the engine or remove the battery cartridge. The equipment unattended with the engine running may be used by unauthorized person and cause serious accident.
21. Before cutting, pull the throttle lever fully to achieve the maximum speed.
22. Follow the instruction manual of the power unit for proper use of the control lever and switch.
23. During or after operation, do not put the hot equipment onto dry grass or combustible materials.

## Transport

1. Before transporting the equipment, switch off the motor and remove the spark plug cap or battery cartridge. Always fit the blade cover during transportation.
2. When carrying the equipment, carry it in a horizontal position by holding the shaft. Keep the hot muffler away from your body.
3. When transporting the equipment in a vehicle, properly secure it to avoid turnover. Otherwise fuel spillage and damage to the equipment and other baggage may result.

## Maintenance

1. Before doing any maintenance or repair work or cleaning the equipment, always switch off the motor and remove the spark plug cap or the battery cartridge. Wait until the motor gets cold.
2. To reduce the risk of fire, never service the equipment in the vicinity of fire.
3. Always wear protective gloves when handling the blades.
4. Always clean dust and dirt off the equipment. Never use gasoline, benzine, thinner, alcohol or the like for the purpose. Discoloration, deformation or cracks of the plastic components may result.
5. After each use, tighten all screws and nuts, except for the carburetor adjustment screws.
6. Keep the cutting tool sharp. If the cutting blades have become blunt and cutting performance is poor, ask our authorized service center to sharpen the blades.
7. Never repair bent or broken blades by straightening or welding. It may cause parts of the blades to come off and result in serious injury. Contact our authorized service center for Makita genuine blades to replace them.
8. Do not attempt any maintenance or repair not described in this booklet or the instruction manual of the power unit. Ask our authorized service center for such work.
9. Always use Makita genuine spare parts and accessories only. Using parts or accessories supplied by a third party may result in the equipment breakdown, property damage and/or serious injury.
10. Request our authorized service center to inspect and maintain the hedge trimmer at regular interval.

## Storage

1. Before storing the equipment, perform full cleaning and maintenance. Fit the blade cover.
2. Store the equipment in a dry and high or locked location out of reach of children.
3. Do not prop the equipment against something, such as a wall. Otherwise the hedge trimmer may fall suddenly and cause an injury.

## First aid

1. Always have a first-aid kit close by. Immediately replace any item taken from the first aid kit.

2. When asking for help, give the following information:

- Place of the accident
- What happened
- Number of injured persons
- Nature of the injury
- Your name

## PARTS DESCRIPTION

► Fig.3

1	Blades	2	Gear case	3	Cap	4	Blade cover
---	--------	---	-----------	---	-----	---	-------------

## ASSEMBLY

**⚠WARNING:** Before assembling or adjusting the equipment, switch off the motor and remove the spark plug cap or the battery cartridge. Otherwise blades or other parts may move and result in serious injury.

**⚠WARNING:** Before handling or working around blades, wear protective gloves and put the blade cover onto blades. Otherwise the blades can cut bare hands severely.

**⚠WARNING:** When assembling or adjusting the equipment, always put it down. Assembling or adjusting the equipment in an upright position may result in serious injury.

**⚠WARNING:** Follow the warnings and precautions in the chapter "Safety precautions" and the instruction manual of the power unit.

### Mounting the attachment to a power unit

To mount the attachment to a power unit, follow the steps below.

1. Make sure that the lock lever is not tightened.
2. Align the pin with the arrow mark.
3. Insert the shaft into the drive shaft of the power unit until the position line and the release button pops up.
4. Tighten the lock lever firmly as shown.

To remove the attachment, loosen the lock lever by turning the lock lever opposite direction, and press the lock button and withdraw the shaft.

- Fig.4: 1. Lock lever 2. Pin 3. Arrow mark 4. Position line  
5. Release button

**NOTICE:** Do not tighten the lock lever without the shaft of the attachment inserted. Otherwise the lock lever may tighten the entrance of the drive shaft too much and damage it.

## OPERATION

**⚠WARNING:** If the blades move at idle, adjust the idle speed of the engine down. Otherwise you cannot stop the blades with throttle off and it may cause serious injury.

**⚠WARNING:** Follow the warnings and precautions in the chapter "IMPORTANT SAFETY INSTRUCTIONS" and the instruction manual of the power unit.

### Horizontal cut

When trimming hedges horizontally, follow the steps below.

1. Pull the throttle lever fully.
2. Apply the blades to the hedge with an angle of 15° to 30°.
3. Trim the hedge with a right to left swinging movement.

► Fig.5

### Vertical cut

When trimming hedges vertically, follow the steps below.

1. Pull the throttle lever fully.
2. Apply the blades to the hedge parallel to each other.
3. Trim the hedge from the bottom upwards with a swinging movement.

► Fig.6

## MAINTENANCE

**⚠WARNING:** Before inspecting or maintaining the equipment, switch off the motor and remove the spark plug cap or the battery cartridge. Otherwise blades or other parts may move and result in serious injury.

**⚠WARNING:** Before handling or working around blades, wear protective gloves and put the blade cover onto blades. During the assembly or adjustment, your fingers may contact with blades and it may cause serious injury.

**⚠WARNING:** When inspecting or maintaining the equipment, always put the hedge trimmer down. Assembling or adjusting the equipment in an upright position may result in serious injury.

**⚠WARNING:** Follow the warnings and precautions in the chapter "IMPORTANT SAFETY INSTRUCTIONS" and the instruction manual of the power unit.

### Inspecting blades

Check the blades daily for damage, crack and dull edge. Ask our authorized service center to replace damaged blades or sharpen dull blades.

### Adjusting the blade clearance

The upper/lower blades wear out gradually after operations. If you cannot get a clean cut though the blades are sharp enough, adjust the clearance as follows.

The tightness of the hex bolt decides the clearance of the blades. The nut holds the hex bolt with certain tightness. Too loose clearance causes blunt cut, but too tight clearance causes unnecessary heat and sooner worn-out of the blades.

1. Loosen the nuts with a wrench.
2. Tighten the hex bolts lightly till they stop. And then, screw them back a quarter to half turn each to gain necessary clearance.
3. Hold the hex bolts and tighten the nuts.
4. Apply light oil on the friction surface of the blades.
5. Start the motor and operate the throttle on and off for a minute.
6. Measure the time necessary for the blades to stop after releasing the throttle. If it is two seconds or longer, switch off the motor and repeat the step 1 to 6.
7. Switch off the motor and touch the blade surface. If they are not too hot to touch, you have made a proper adjustment. If they are too hot to touch, turn the hex bolts back a little and repeat the step 5 to 7.

- Fig.7: 1. Nut 2. Hex bolt 3. Plate 4. Blade guard 5. Upper blade  
6. Lower blade

### Lubricating moving parts

**NOTICE:** Follow the instruction of the frequency and amount of grease supplied. Otherwise insufficient lubrication may damage moving parts.

► Fig.8

### Gear case:

Apply grease every 25 working hours.

1. The grease hole locates under the bolt. Remove the bolt to lubricate.
2. Add approx. 5 g (7 cc) of grease to the grease hole.
3. Return the bolt after lubrication.

► Fig.9: 1. Grease hole

**NOTE:** After filling correct amount of grease, grease will come out a bit from the base of the blade during the first operation.

### Drive axle:

Apply grease every 25 working hours.

### Overall inspection

- Tighten loose bolts, nuts and screws.
- Check for damaged parts and blades. Ask our authorized service center to replace them if necessary.

## Storage

**⚠ WARNING:** Follow the warnings and precautions in the chapter “IMPORTANT SAFETY INSTRUCTIONS” and the instruction manual of the power unit.

When storing the hedge trimmer attachment separated from the power unit, put the cap onto the end of the shaft.

► Fig.10

## MAINTENANCE INTERVAL

		Before operation	Daily (10h)	25 h	If required
Whole unit	Visually inspect for damaged parts	○	-	-	-
All fixing screws and nuts	Tighten	○	-	-	-
Blades	Inspect for damage, crack and dull edge	-	○	-	-
	Adjust the clearance	-	-	-	○
Gear case	Supply grease	-	-	○	-
Drive axle	Supply grease	-	-	○	-
Power unit	Refer to the instruction manual of the power unit				

## TROUBLE SHOOTING

State of abnormality	Probable cause (malfunction)	Remedy
The motor does not start.	Refer to the instruction manual of the power unit.	Refer to the instruction manual of the power unit.
The motor stops soon after its start.	Refer to the instruction manual of the power unit.	Refer to the instruction manual of the power unit.
The maximum speed is limited.	Refer to the instruction manual of the power unit.	Refer to the instruction manual of the power unit.
The blades do not move. ⇒ <b>Stop the motor immediately!</b>	Inappropriate angle of cutter unit.	Make sure the angle lock engages properly.
The blades do not move. ⇒ <b>Stop the motor immediately!</b>	A twig is caught by the blades.	Remove the foreign matter.
The blades do not move. ⇒ <b>Stop the motor immediately!</b>	The drive system does not work properly.	Ask our authorized service center to inspect and repair it.
The unit vibrates abnormally. ⇒ <b>Stop the motor immediately!</b>	The drive system does not work properly.	Ask our authorized service center to inspect and repair it.
The blades do not stop. ⇒ <b>Stop the motor immediately!</b>	The power unit does not work properly.	Refer to the instruction manual of the power unit.

## OPTIONAL ACCESSORIES

**⚠ CAUTION:** These accessories or attachments are recommended for use with your Makita tool specified in this manual. The use of any other accessories or attachments might present a risk of injury to persons. Only use accessory or attachment for its stated purpose.

If you need any assistance for more details regarding these accessories, ask your local Makita Service Center.

- Blade set

**NOTE:** Some items in the list may be included in the tool package as standard accessories. They may differ from country to country.

## SPÉCIFICATIONS

Modèle :	EN410MP
Dimensions (L x P x H)	1 104 x 85 x 61 (43-1/2" x 3-3/8" x 2-3/8")
Poids net	2,0 kg (4,5 lbs)
Longueur de coupe efficace	490 mm (19-1/4")
Rapport d'engrenage	1 : 4,7

- Étant donné l'évolution constante de notre programme de recherche et de développement, les spécifications contenues dans ce manuel sont sujettes à modification sans préavis.
- Les spécifications peuvent varier suivant les pays.

### Unité d'alimentation approuvée

**⚠ MISE EN GARDE : N'utilisez jamais l'accessoire avec une unité d'alimentation non approuvée.** Une combinaison non approuvée peut entraîner une grave blessure.

Cet accessoire est approuvé uniquement pour l'utilisation avec les unités d'alimentation suivantes :

- (Tête mécanique multifonctions)  
EX2650LH
- (Tête mécanique multifonctions sans fil)  
BUX360, BUX361, BUX362, UX360D, UX361D, UX362D, DUX60, XUX01

### Fixation approuvée

**⚠ MISE EN GARDE : N'utilisez jamais une fixation non approuvée.** Une combinaison non approuvée peut entraîner une grave blessure.

Cet accessoire est approuvé uniquement pour l'utilisation avec les fixations suivantes :

- (Rallonge d'Arbre)  
LE400MP

### Symboles

Les symboles utilisés pour l'équipement sont indiqués ci-après. Vous devez avoir compris leur signification avant l'utilisation.



Veillez lire le mode d'emploi et en respecter les instructions.



Soyez tout particulièrement prudent et attentif !



Interdit !



Prenez garde aux lignes électriques. Il y a risque de décharge électrique.



Prenez garde de vous coincer la main.



Portez des gants de protection.



Portez un casque de sécurité et des protecteurs pour les yeux et les oreilles.



Portez des bottes robustes à semelles antidérapantes.



Ne laissez pas les curieux et les animaux approcher à moins de 15 m (50 ft) de l'outil électrique.



Ne laissez pénétrer personne, ni aucun animal domestique, dans la zone de travail.



Premiers soins

### Usage prévu

Cet accessoire est conçu uniquement pour la taille des arbustes et des haies, en combinaison avec une unité d'alimentation approuvée. N'utilisez jamais l'accessoire à d'autres fins. Maltraiter l'accessoire peut entraîner une grave blessure.

## CONSIGNES DE SÉCURITÉ

### IMPORTANTES CONSIGNES DE SÉCURITÉ

**⚠ MISE EN GARDE : Veuillez lire toutes les consignes de sécurité et toutes les instructions de cette brochure et du mode d'emploi de l'unité d'alimentation. La négligence des consignes et des instructions peut entraîner une décharge électrique, un incendie et/ou une grave blessure.**

**⚠ MISE EN GARDE : Conservez toutes les consignes et instructions pour consultation ultérieure.**

Dans les consignes et précautions, les termes « taille-haie » et « équipement » font référence à la combinaison de l'accessoire et de l'unité d'alimentation.

Dans les consignes et précautions, le terme « moteur » fait référence au moteur ou au moteur électrique de l'unité d'alimentation.

### Précautions générales

1. Avant de démarrer le taille-haie, veuillez lire cette brochure et le mode d'emploi de l'unité d'alimentation pour vous familiariser avec la manipulation du taille-haie.
2. Ne prêtez l'accessoire à aucune personne ne possédant pas l'expérience ou les connaissances requises pour manipuler les tailles-haies.
3. Lorsque vous prêtez l'accessoire, faites-le toujours en combinaison avec ce mode d'emploi.
4. Ne laissez pas les enfants ou les jeunes de moins de 18 ans utiliser le taille-haie. Tenez-les à l'écart du taille-haie.
5. Manipulez le taille-haie avec la plus grande prudence et la plus grande attention.
6. N'utilisez jamais le taille-haie après avoir consommé de l'alcool ou des médicaments, ou lorsque vous ressentez de la fatigue ou un malaise.
7. N'essayez jamais de modifier l'accessoire.
8. Respectez la réglementation de votre pays en matière de manipulation des tailles-haies.

### Dispositifs de protection personnelle

#### ► Fig.1

1. Portez un casque de sécurité, des lunettes à coques et des gants de protection pour vous protéger contre les débris éjectés ou les chutes d'objets.
2. Portez une protection d'oreilles telle qu'un cache-oreilles antibruit pour éviter de subir une perte auditive.
3. Portez des vêtements et chaussures sécuritaires, tels qu'une salopette et des chaussures robustes et antidérapantes. Ne portez ni vêtements amples ni bijoux. Les vêtements amples, bijoux ou cheveux longs peuvent être happés par les pièces mobiles.
4. Pour toucher les lames ou régler l'angle de la lame, portez des gants de protection. Les lames peuvent infliger de graves coupures aux mains nues.



## Sécurité de la zone de travail

**⚠ MISE EN GARDE :** Gardez le taille-haie à l'écart des lignes électriques et des câbles de transmission. Toucher des lignes haute tension ou s'en approcher avec le taille-haie peut entraîner le décès ou une grave blessure. Avant de commencer le travail, vérifiez s'il y a des lignes électriques ou des clôtures électriques aux environs de la zone de travail.

**⚠ MISE EN GARDE :** L'utilisation de ce produit peut générer des poussières contenant des produits chimiques qui peuvent causer des maladies respiratoires ou autres. Parmi ces produits chimiques figurent les composés que l'on trouve dans les pesticides, les insecticides, les fertilisants et les herbicides. Le risque lié à ces expositions varie suivant la fréquence d'exécution du type de travail en question. Pour réduire votre exposition à ces produits chimiques : travaillez dans une zone bien aérée et avec des dispositifs de sécurité approuvés, tels que des masques antipoussières spécialement conçus pour filtrer les particules microscopiques.

1. N'utilisez le taille-haie que dans de bonnes conditions de visibilité et à la lumière du jour. N'utilisez pas le taille-haie dans la noirceur ou le brouillard.
2. Ne démarrez et n'utilisez le moteur qu'à l'extérieur, dans une zone bien aérée. L'utilisation dans un espace étroit ou mal aéré peut entraîner le décès par asphyxie ou par empoisonnement au monoxyde de carbone.
3. Pendant l'exécution du travail, ne vous tenez jamais sur une surface instable ou glissante, ou dans une pente abrupte. Pendant la saison froide, prenez garde à la glace et à la neige, et assurez-vous toujours d'une bonne prise au sol.
4. Pendant l'exécution du travail, ne laissez pas les curieux ou les animaux approcher à moins de 15 m du taille-haie. Arrêtez le moteur dès que quelqu'un approche.
5. Avant l'exécution du travail, vérifiez l'absence de clôtures grillagées et de pierres ou autres objets solides dans la zone de travail. Ils peuvent endommager les lames.

### Mise en marche

1. Avant d'assembler ou de régler l'équipement, éteignez le moteur et retirez le capuchon de bougie ou la batterie.
2. Avant d'assembler les lames ou de régler l'angle de coupe, enfillez des gants de protection.
3. Avant de démarrer le moteur, vérifiez l'absence de dommages, de vis/écrous mal serrés ou de pièces mal assemblées sur l'équipement. Remplacez les lames si elles sont fissurées, pliées ou endommagées. Vérifiez le fonctionnement fluide des leviers de commande et des commutateurs. Nettoyez et essuyez les poignées.
4. N'essayez jamais de faire démarrer le moteur si l'équipement est endommagé ou partiellement assemblé. Autrement, il y a risque de grave blessure.
5. Réglez la sangle de bandoulière et la poignée selon la taille de l'utilisateur.

### Exécution du travail

1. En cas d'urgence, éteignez immédiatement le moteur.
2. Si vous soupçonnez une anomalie (bruit, vibration, etc.) pendant l'exécution du travail, éteignez le moteur. N'utilisez pas le taille-haie avant que la cause n'ait été identifiée et corrigée.
3. Les lames continuent de tourner un court instant après la libération de la commande d'accélérateur ou l'arrêt du moteur. Ne touchez pas les lames tout de suite.
4. Fixez la sangle de bandoulière pendant que le moteur ne tourne qu'au ralenti.
5. Pendant l'exécution du travail, utilisez la sangle de bandoulière. Tenez fermement le taille-haie de votre côté droit.

#### ► Fig.2

6. Que vous soyez droitier ou gaucher, tenez la poignée avant de la main gauche et la poignée arrière de la main droite. Enveloppez les poignées de vos doigts et pouces.
7. N'essayez jamais d'utiliser l'équipement d'une seule main. La perte de contrôle peut entraîner une blessure grave, voire fatale. Pour réduire les risques de blessure par coupure, gardez mains et pieds à l'écart des lames.
8. Ne vous étirez pas. Gardez une bonne prise au sol et un bon équilibre en tout temps. Vérifiez l'absence d'obstacles non visibles, tels que souches, racines et fossés, pour éviter de perdre pied. Enlevez les branches mortes tombées sur le sol et autres objets.
9. Pour éviter de perdre le contrôle, ne travaillez jamais sur une échelle ou dans un arbre.

10. Ne tenez pas la machine plus haut que la hauteur des épaules.
11. Pendant l'exécution du travail, ne frappez jamais les lames contre des obstacles durs tels que pierres et objets métalliques. Soyez tout particulièrement prudent lorsque vous taillez des haies près ou sur des clôtures grillagées. Lorsque vous travaillez au ras du sol, évitez que du sable, du gravier ou des pierres ne se retrouvent entre les lames.
12. Si les lames entrent en contact avec des pierres ou autres objets solides, arrêtez immédiatement le moteur, retirez la bougie ou la batterie, puis vérifiez l'absence de dommages sur les lames. Si les lames sont endommagées, remplacez-les.
13. Si des branches épaisses se coincent entre les lames, arrêtez immédiatement le moteur, déposez le taille-haie, retirez la bougie ou la batterie, puis retirez les branches. Avant de réutiliser l'équipement, vérifiez l'absence de dommages sur les lames.
14. Ne touchez jamais les lames et ne vous en approchez jamais pendant qu'elles tournent. Les lames peuvent facilement vous couper le doigt. Avant de manipuler les lames ou de régler l'angle d'une lame, arrêtez le moteur et retirez le capuchon de bougie ou la batterie.
15. Faire accélérer le moteur alors que les lames sont bloquées accroîtra la charge et endommagera le moteur et/ou l'embrayage.
16. Vérifiez fréquemment l'absence de fissures ou de tranchants émoussés sur les lames pendant l'exécution du travail. Avant de procéder à l'inspection, éteignez le moteur et attendez l'arrêt complet des lames. Remplacez immédiatement les lames endommagées ou émoussées, même si elles n'ont que des fissures superficielles.
17. Si l'équipement est heurté violemment ou échappé, vérifiez son état avant de poursuivre le travail. Vérifiez l'absence de fuite de carburant sur le circuit de carburant, et l'absence de dysfonctionnements sur les commandes et les dispositifs de sécurité. Si vous constatez ou soupçonnez tout dommage, demandez à un centre de service après-vente agréé d'effectuer l'inspection et la réparation.
18. Ne touchez pas la boîte d'engrenage. La boîte d'engrenage devient chaude pendant l'exécution du travail.
19. Faites une pause, pour éviter une éventuelle perte de contrôle causée par la fatigue. Il est recommandé de prendre une pause de 10 à 20 minutes toutes les heures.
20. Lorsque vous vous éloignez de l'équipement, même pour un bref instant, éteignez toujours le moteur ou retirez la batterie. L'équipement risque d'être utilisé par une personne non autorisée et de causer un grave accident s'il est laissé sans surveillance avec le moteur en marche.
21. Avant d'effectuer la coupe, tirez à fond sur le levier d'accélérateur pour obtenir la vitesse maximale.
22. Suivez les instructions du mode d'emploi de l'unité d'alimentation pour utiliser adéquatement le levier de commande et le commutateur.
23. Pendant ou après l'exécution du travail, ne déposez pas l'équipement chaud sur l'herbe sèche ou sur des matières combustibles.

### Transport

1. Avant de transporter l'équipement, éteignez le moteur et retirez le capuchon de bougie ou la batterie. Pendant le transport, posez toujours le couvre-lame.
2. Lorsque vous transportez l'équipement, tenez-le à l'horizontale en le saisissant par l'arbre. Gardez le silencieux chaud à l'écart de votre corps.
3. Lorsque vous transportez l'équipement à bord d'un véhicule, immobilisez-le adéquatement pour l'empêcher de se retourner sur lui-même. Autrement, du carburant risque de se déverser et d'endommager l'équipement et les autres bagages.

### Entretien

1. Avant d'effectuer tout travail d'entretien, de réparation ou de nettoyage sur l'équipement, éteignez toujours le moteur et retirez le capuchon de bougie ou la batterie. Attendez que le moteur ait refroidi.
2. Pour réduire le risque d'incendie, ne faites jamais l'entretien de l'équipement près d'un feu.
3. Portez toujours des gants de protection lorsque vous manipulez les lames.
4. Enlevez toujours les poussières et saletés sur l'équipement. Pour cela, n'utilisez jamais d'essence, de benzine, de diluant, d'alcool, etc. Cela risquerait de causer la décoloration, la déformation ou la fissuration des composants de plastique.
5. Après chaque utilisation, serrez toutes les vis et tous les écrous, à l'exception des vis de réglage du carburateur.

- Maintenez l'outil de coupe bien affûté. Si les lames sont émoussées ou ne coupent pas bien, demandez à un centre de service après-vente agréé de les affûter.
- Ne réparez jamais les lames pliées ou cassées en les redressant ou en les soudant. Des morceaux de lames risqueraient de se détacher et d'entraîner une grave blessure. Contactez un centre de service après-vente agréé pour les faire remplacer par des lames Makita d'origine.
- Ne tentez aucun travail d'entretien ou de réparation non décrit dans cette brochure ou dans le mode d'emploi de l'unité d'alimentation. Demandez à un centre de service après-vente agréé d'effectuer ce travail.
- Utilisez toujours uniquement des pièces de rechange et accessoires Makita d'origine. L'utilisation de pièces ou d'accessoires d'un autre fabricant peut entraîner une panne d'équipement, des dommages matériels et/ou une grave blessure.
- Demandez régulièrement à un centre de service après-vente agréé de procéder à l'inspection et à l'entretien du taille-haie.

## Rangement

- Avant de ranger l'équipement, effectuez son nettoyage et son entretien complets. Posez le couvre-lame.
- Rangez l'équipement dans un emplacement sec et élevé ou verrouillé, hors de portée des enfants.
- N'appuyez pas l'équipement contre un mur ou un objet. Autrement, le taille-haie risque de tomber soudainement et de causer une blessure.

## Premiers soins

- Ayez toujours une trousse de premiers soins à portée de la main. Lorsque vous prenez un article dans la trousse de premiers soins, remplacez-le immédiatement.
- Au moment de demander de l'aide, veuillez fournir les renseignements suivants :**
  - Le lieu de l'accident
  - Ce qui s'est produit
  - Le nombre de blessés
  - La nature de la blessure
  - Votre nom

## DESCRIPTION DES PIÈCES

► Fig.3

1	Lames	2	Boîte d'engrenage	3	Capuchon	4	Couvre-lame
---	-------	---	-------------------	---	----------	---	-------------

## ASSEMBLAGE

**▲ MISE EN GARDE :** Avant d'assembler ou de régler l'équipement, éteignez le moteur et retirez le capuchon de bougie ou la batterie. Autrement, les lames ou autres pièces peuvent se déplacer et entraîner une grave blessure.

**▲ MISE EN GARDE :** Avant de manipuler les lames ou les pièces adjacentes, enfiler des gants de protection et mettez le couvre-lame sur les lames. Autrement, les lames peuvent infliger de graves coupures aux mains nues.

**▲ MISE EN GARDE :** Déposez toujours l'équipement avant de l'assembler ou de le régler. Assembler ou régler l'équipement en position verticale peut entraîner une grave blessure.

**▲ MISE EN GARDE :** Respectez les mises en garde et précautions du chapitre « Consignes de sécurité » et du mode d'emploi de l'unité d'alimentation.

### Montage de l'accessoire sur une unité d'alimentation

Pour monter l'accessoire sur une unité d'alimentation, suivez les étapes ci-dessous.

- Assurez-vous que le levier de verrouillage n'est pas serré.
- Alignez la broche sur la marque de flèche.
- Insérez l'arbre dans l'arbre d'entraînement de l'unité d'alimentation jusqu'à la ligne de positionnement et jusqu'à ce que le bouton de libération sorte.
- Serrez fermement le levier de verrouillage, tel qu'illustré.

Pour retirer l'accessoire, desserrez le levier de verrouillage en le tournant dans le sens contraire, puis enfoncez le bouton de verrouillage et retirez l'arbre.

- Fig.4: 1. Levier de verrouillage 2. Broche 3. Marque de flèche  
4. Ligne de positionnement 5. Bouton de libération

**AVIS :** Ne serrez pas le levier de verrouillage sans avoir inséré l'arbre de l'accessoire. Autrement, le levier de verrouillage risque de trop serrer l'entrée de l'arbre d'entraînement et d'endommager ce dernier.

## UTILISATION

**▲ MISE EN GARDE :** Si les lames se déplacent au ralenti, réduisez la vitesse de ralenti du moteur. Autrement, vous ne pourrez pas arrêter les lames en libérant l'accélérateur et cela risque de causer une grave blessure.

**▲ MISE EN GARDE :** Respectez les mises en garde et précautions du chapitre « IMPORTANTES CONSIGNES DE SÉCURITÉ » et du mode d'emploi de l'unité d'alimentation.

### Coupe horizontale

Pour tailler des haies horizontalement, suivez les étapes ci-dessous.

- Tirez à fond sur le levier d'accélérateur.
- Appliquez les lames sur la haie avec un angle de 15° à 30°.
- Taillez la haie avec un mouvement de balayage de droite à gauche.

► Fig.5

### Coupe verticale

Pour tailler des haies verticalement, suivez les étapes ci-dessous.

- Tirez à fond sur le levier d'accélérateur.
- Appliquez les lames sur la haie parallèlement l'une à l'autre.
- Taillez la haie avec un mouvement de balayage du bas vers le haut.

► Fig.6

## ENTRETIEN

**▲ MISE EN GARDE :** Avant d'effectuer l'inspection ou l'entretien de l'équipement, éteignez le moteur et retirez le capuchon de bougie ou la batterie. Autrement, les lames ou autres pièces peuvent se déplacer et entraîner une grave blessure.

**▲ MISE EN GARDE :** Avant de manipuler les lames ou les pièces adjacentes, enfiler des gants de protection et mettez le couvre-lame sur les lames. Pendant l'assemblage ou le réglage, vous risquez une grave blessure aux doigts si ceux-ci touchent les lames.

**▲ MISE EN GARDE :** Lorsque vous effectuez l'inspection ou l'entretien de l'équipement, déposez toujours le taille-haie. Assembler ou régler l'équipement en position verticale peut entraîner une grave blessure.

**▲ MISE EN GARDE :** Respectez les mises en garde et précautions du chapitre « IMPORTANTES CONSIGNES DE SÉCURITÉ » et du mode d'emploi de l'unité d'alimentation.

### Inspection des lames

Vérifiez quotidiennement l'absence de dommages, de fissures et de tranchants émoussés sur les lames. Demandez à un centre de service après-vente agréé de remplacer les lames endommagées ou d'affûter les lames émoussées.

### Réglage du jeu des lames

Les lames supérieure/inférieure s'usent graduellement à l'usage. Si vous ne pouvez pas obtenir une coupe nette même si les lames sont suffisamment affûtées, réglez le jeu comme suit. La tension du boulon hexagonal détermine le jeu des lames. L'écrou retient le boulon hexagonal avec une certaine tension. La coupe sera médiocre s'il y a trop de jeu, mais un jeu insuffisant causera une surchauffe inutile et réduira la durée de service des lames.

1. Desserrez les écrous avec une clé.
  2. Serrez légèrement les boulons hexagonaux, jusqu'à ce qu'ils s'arrêtent. Desserrez ensuite chaque boulon d'un quart de tour ou d'un demi-tour pour obtenir le jeu nécessaire.
  3. Serrez les écrous en retenant les boulons hexagonaux.
  4. Appliquez une huile légère sur la surface de friction des lames.
  5. Démarrez le moteur puis activez et désactivez l'accélérateur pendant une minute.
  6. Calculez le temps nécessaire à l'arrêt des lames après la libération de l'accélérateur. S'il est de deux secondes ou plus, éteignez le moteur et répétez les étapes 1 à 6.
  7. Éteignez le moteur et touchez la surface des lames. Si elles ne sont pas trop chaudes au toucher, vous avez effectué un réglage adéquat. Si elles sont trop chaudes au toucher, desserrez légèrement les boulons hexagonaux et répétez les étapes 5 à 7.
- **Fig.7:** 1. Écrou 2. Boulon hexagonal 3. Plaque 4. Protège-lame 5. Lame supérieure 6. Lame inférieure

### Lubrification des pièces mobiles

**AVIS :** Suivez les instructions sur la fréquence de lubrification et sur la quantité de graisse à appliquer. Autrement, une lubrification insuffisante peut endommager les pièces mobiles.

► **Fig.8**

### Boîte d'engrenage :

Appliquez de la graisse toutes les 25 heures d'utilisation.

1. Le trou de graissage se trouve sous le boulon. Retirez le boulon pour effectuer la lubrification.
  2. Ajoutez environ 5 g (7 cc) de graisse dans le trou de graissage.
  3. Remettez le boulon en place après la lubrification.
- **Fig.9:** 1. Trou de graissage

**NOTE :** Une fois la quantité adéquate de graisse ajoutée, la graisse sortira un peu de la base de la lame pendant la première utilisation.

### Axe d'entraînement :

Appliquez de la graisse toutes les 25 heures d'utilisation.

### Inspection générale

- Serrez les boulons, écrous et vis desserrés.
- Vérifiez l'absence de pièces ou lames endommagées. Si nécessaire, demandez à un centre de service après-vente agréé de les remplacer.

### Rangement

**MISE EN GARDE :** Respectez les mises en garde et précautions du chapitre « **IMPORTANTES CONSIGNES DE SÉCURITÉ** » et du mode d'emploi de l'unité d'alimentation.

Lorsque vous rangez la tête taille-haie à perche séparément de l'unité d'alimentation, mettez le capuchon sur l'extrémité de l'arbre.

► **Fig.10**

## INTERVALLE D'ENTRETIEN

		Avant l'exécution du travail	Quotidien (10 h)	25 h	Si nécessaire
Unité entière	Vérifier visuellement l'absence de pièces endommagées	○	-	-	-
Toutes les vis et écrous de fixation	Serrer	○	-	-	-
Lames	Vérifier l'absence de dommages, de fissures ou de tranchant émoussé	-	○	-	-
	Régler le jeu	-	-	-	○
Boîte d'engrenage	Appliquer de la graisse	-	-	○	-
Axe d'entraînement	Appliquer de la graisse	-	-	○	-
Unité d'alimentation	Consulter le mode d'emploi de l'unité d'alimentation				

## DÉPANNAGE

État anormal	Cause probable (dysfonctionnement)	Solution
Le moteur ne démarre pas.	Consultez le mode d'emploi de l'unité d'alimentation.	Consultez le mode d'emploi de l'unité d'alimentation.
Le moteur s'arrête peu après le démarrage.	Consultez le mode d'emploi de l'unité d'alimentation.	Consultez le mode d'emploi de l'unité d'alimentation.
La vitesse maximale est limitée.	Consultez le mode d'emploi de l'unité d'alimentation.	Consultez le mode d'emploi de l'unité d'alimentation.
Les lames ne bougent pas. ⇒ <b>Arrêtez immédiatement le moteur !</b>	Angle inadéquat de l'unité de coupe.	Assurez-vous que le verrou d'angle s'engage bien.
Les lames ne bougent pas. ⇒ <b>Arrêtez immédiatement le moteur !</b>	Une brindille est coincée entre les lames.	Retirez le corps étranger.
Les lames ne bougent pas. ⇒ <b>Arrêtez immédiatement le moteur !</b>	Le dispositif d'entraînement ne fonctionne pas bien.	Demandez à un centre de service après-vente agréé d'effectuer l'inspection et la réparation.
L'unité vibre anormalement. ⇒ <b>Arrêtez immédiatement le moteur !</b>	Le dispositif d'entraînement ne fonctionne pas bien.	Demandez à un centre de service après-vente agréé d'effectuer l'inspection et la réparation.
Les lames ne s'arrêtent pas. ⇒ <b>Arrêtez immédiatement le moteur !</b>	L'unité d'alimentation ne fonctionne pas bien.	Consultez le mode d'emploi de l'unité d'alimentation.

## ACCESSOIRES EN OPTION

**⚠ ATTENTION :** Ces accessoires ou pièces complémentaires sont recommandés pour l'utilisation avec l'outil Makita spécifié dans ce manuel. L'utilisation de tout autre accessoire ou pièce complémentaire peut comporter un risque de blessure. N'utilisez les accessoires ou pièces complémentaires qu'aux fins auxquelles ils ont été conçus.

Si vous désirez obtenir plus de détails sur ces accessoires, veuillez contacter le centre de service après-vente Makita le plus près.

- Ensemble de lames

**NOTE :** Certains éléments de la liste peuvent être inclus avec l'outil comme accessoires standards. Ils peuvent varier suivant les pays.

## ESPECIFICACIONES

Modelo:	EN410MP
Dimensiones (La x An x Al)	1 104 x 85 x 61 (43-1/2" x 3-3/8" x 2-3/8")
Peso neto	2,0 kg (4,5 lbs)
Longitud de corte eficaz	490 mm (19-1/4")
Relación de engranajes	1 : 4,7

- Debido a nuestro programa continuo de investigación y desarrollo, las especificaciones aquí dadas están sujetas a cambios sin previo aviso.
- Las especificaciones pueden variar de país a país.

### Unidad motorizada aprobada

**⚠ADVERTENCIA:** Nunca utilice el accesorio con una unidad motorizada no aprobada. Una combinación no aprobada puede causar lesiones graves.

Este accesorio está aprobado para usarse únicamente con la(s) siguiente(s) unidad(es) motorizada(s):

- (Cabezal motorizado multifuncional)  
EX2650LH
- (Cabezal motorizado multifuncional inalámbrico)  
BUX360, BUX361, BUX362, UX360D, UX361D, UX362D,  
DUX60, XUX01

### Accesorio aprobado

**⚠ADVERTENCIA:** Nunca utilice un accesorio no aprobado. Una combinación no aprobada puede causar lesiones graves.

Este accesorio está aprobado para usarse únicamente con el (los) siguiente(s) aditamento(s):

- (Extensión del Eje)  
LE400MP

### Símbolos

A continuación se muestran los símbolos utilizados para el equipo. Asegúrese de entender su significado antes de usarlo.

	Lea y siga el manual de instrucciones.
	¡Ponga especial cuidado y atención!
	¡Prohibido!
	Tenga cuidado con las líneas eléctricas. Riesgo de descarga eléctrica.
	Tenga cuidado con los pellizcos.
	Utilice guantes de protección.
	Utilice un casco protector y protección para los ojos y oídos.
	Utilice botas resistentes con suelas antiderrapantes.
	Mantenga a las personas y animales alrededor a por lo menos 15 m (50 ft) de distancia de la herramienta eléctrica.
	Mantenga el área de operación libre de personas y mascotas.
	Primeros auxilios

### Uso pretendido

Este accesorio se ha diseñado exclusivamente con la finalidad de cortar arbustos y setos junto con una unidad motorizada aprobada. Nunca use el accesorio para ningún otro propósito. Hacer un mal uso del accesorio puede causar lesiones graves.

## ADVERTENCIAS DE SEGURIDAD

### INSTRUCCIONES IMPORTANTES DE SEGURIDAD

**⚠ADVERTENCIA:** Lea todas las advertencias de seguridad e instrucciones contenidas en este folleto así como el manual de instrucciones de la unidad motorizada. El no seguir las advertencias e instrucciones podrá ocasionar descargas eléctricas, incendios y/o lesiones graves.

**⚠ADVERTENCIA:** Conserve todas las advertencias e instrucciones para referencia en el futuro.

Los términos "cortasetos" y "equipo" en las advertencias y precauciones hacen referencia a la combinación del accesorio y la unidad motorizada.

El término "motor" en las advertencias y precauciones hace referencia al motor o al motor eléctrico de la unidad motorizada.

### Precauciones generales

1. Antes de poner en marcha el cortasetos, lea este folleto y el manual de instrucciones de la unidad motorizada para familiarizarse con el manejo del cortasetos.
2. No preste el accesorio a ninguna persona que no tenga experiencia o conocimientos en relación con el manejo de cortasetos.
3. Cuando preste el accesorio, proporcione siempre este manual de instrucciones.
4. No permita que los niños o jóvenes menores de 18 años utilicen el cortasetos. Manténgalos alejados del cortasetos.
5. Maneje el cortasetos con extremo cuidado y atención.
6. Nunca utilice el cortasetos después de haber ingerido alcohol o drogas o si se siente cansado o enfermo.
7. Nunca intente modificar el accesorio.
8. Siga los reglamentos relativos al manejo de cortasetos de su país.

### Equipo de protección personal

#### ► Fig.1

1. Utilice casco de seguridad, gafas protectoras y guantes de protección para protegerse de los residuos que salgan volando o de la caída de objetos.
2. Utilice protección para los oídos tal como orejeras para evitar la pérdida auditiva.
3. Utilice ropa y calzado adecuados para una operación segura, tal como overol de trabajo y zapatos resistentes con suela antiderrapante. No use ropa suelta ni alhajas. La ropa suelta, las alhajas y el cabello largo podrían engancharse en las piezas móviles.
4. Cuando toque las cuchillas o ajuste el ángulo de las cuchillas, utilice guantes de protección. Las cuchillas pueden causar cortaduras graves en las manos descubiertas.

## Seguridad en el área de trabajo

**⚠ADVERTENCIA:** Mantenga el cortasetos alejado de las líneas eléctricas y los cables de comunicación. Tocar o acercarse a las líneas de alta tensión con el cortasetos puede provocar la muerte o lesiones graves. Esté al pendiente de las líneas de alto voltaje y las cercas eléctricas alrededor del área de trabajo antes de comenzar la operación.

**⚠ADVERTENCIA:** El uso de este producto puede producir polvo que contenga sustancias químicas que podrían causar enfermedades respiratorias o de otro tipo. Algunos ejemplos de estas sustancias químicas son los compuestos encontrados en pesticidas, insecticidas, fertilizantes y herbicidas. El riesgo al que se expone varía, dependiendo de la frecuencia con la que realice este tipo de trabajo. Para reducir la exposición a estas sustancias químicas: trabaje en un área bien ventilada y use un equipo de seguridad aprobado, tal como las máscaras contra polvo que están especialmente diseñadas para filtrar partículas microscópicas.

1. Opere el cortasetos sólo en condiciones de buena visibilidad y a la luz del día. No opere el cortasetos en la oscuridad o la niebla.
2. Ponga en marcha y opere el motor únicamente en exteriores en un área bien ventilada. La operación en un área cerrada o con poca ventilación puede causar la muerte por asfixia o envenenamiento por monóxido de carbono.
3. Durante la operación, nunca se coloque sobre una superficie inestable o resbalosa o una pendiente inclinada. Durante las estaciones de frío, tenga cuidado con el hielo y la nieve y siempre asegúrese de pisar sobre suelo firme.
4. Durante la operación, mantenga a las personas y animales alrededor a por lo menos 15 m de distancia del cortasetos. Detenga el motor en cuanto alguien se acerque.
5. Antes de la operación, examine el área de trabajo para ver si hay alambrados, piedras u otros objetos sólidos. Éstos pueden dañar las cuchillas.

### Puesta en funcionamiento

1. Antes de ensamblar o ajustar el equipo, apague el motor y retire la tapa de la bujía o el cartucho de batería.
2. Antes de ensamblar las cuchillas o ajustar el ángulo de corte, colóquese guantes de protección.
3. Antes de arrancar el motor inspeccione el equipo para ver que no haya daños, tornillos/tuercas flojas o un ensamblado incorrecto. Reemplace las cuchillas si están agrietadas, dobladas o dañadas. Verifique que todas las palancas de control e interruptores se accionen fácilmente. Limpie y seque los mangos.
4. Nunca intente poner en marcha el motor si el equipo está dañado o no se ha ensamblado completamente. De lo contrario, esto podría causar lesiones graves.
5. Ajuste el arnés para hombro y la empuñadura de mano para adaptarlos al tamaño del cuerpo del operador.

### Operación

1. En caso de emergencia, apague el motor de inmediato.
  2. Si percibe cualquier condición inusual (p. ej., ruido o vibración) durante la operación, apague el motor. No utilice el cortasetos hasta que la causa haya sido reconocida y resuelta.
  3. Las cuchillas continuarán moviéndose durante un corto período después de soltar el gatillo del acelerador o apagar el motor. No se apresure a tocar las cuchillas.
  4. Con el motor funcionando únicamente al ralentí, coloque el arnés para hombro.
  5. Durante la operación, utilice el arnés para hombro. Mantenga el cortasetos de su lado derecho con firmeza.
- **Fig.2**
6. Sujete el mango delantero con la mano izquierda y la empuñadura trasera con la mano derecha, sin importar si es derecho o zurdo. Rodee los mangos con sus dedos y pulgares.
  7. Nunca intente operar el equipo con una mano. La pérdida de control podría ocasionar lesiones graves o fatales. Para reducir el riesgo de lesiones por cortaduras, mantenga sus manos y pies alejados de las cuchillas.
  8. No utilice la herramienta donde no alcance. Mantenga los pies sobre suelo firme y el equilibrio en todo momento. Observe si hay obstáculos ocultos tales como cepas de árboles, raíces y zanjas para evitar tropezar. Despeje el área de ramas caídas y otros objetos.
  9. Nunca trabaje sobre una escalera o árbol para evitar la pérdida de control.
  10. No sujete la máquina por encima de la altura del hombro.
  11. Durante la operación, nunca golpee las cuchillas contra obstáculos duros tales como piedras y metales. Tenga especial cuidado

cuando corte setos al lado o enfrente de alambrados. Cuando trabaje cerca del suelo, asegúrese de que no ingrese arena, polvo o piedras entre las cuchillas.

12. Si las cuchillas entran en contacto con piedras u otros objetos sólidos, detenga el motor inmediatamente y verifique que no haya daños en las cuchillas después de retirar la bujía o el cartucho de batería. Reemplace las cuchillas en caso de estar dañadas.
13. Si llegan a atascarse ramas gruesas en las cuchillas, apague de inmediato el motor, coloque el cortasetos en el suelo y luego retire la obstrucción después de extraer la bujía o el cartucho de batería. Verifique que las cuchillas no presenten daños antes de usar nuevamente el equipo.
14. Nunca toque ni se aproxime a las cuchillas mientras se estén moviendo. Las cuchillas pueden cortar sus dedos fácilmente. Cuando manipule las cuchillas o ajuste el ángulo de las mismas, detenga el motor y retire la tapa de la bujía o el cartucho de batería.
15. Si se acelera el motor con las cuchillas bloqueadas, la carga aumentará y esto dañará el motor y/o el embrague.
16. Revise frecuentemente las cuchillas de corte durante la operación para ver que no haya grietas o bordes desafilados. Antes de la inspección, apague el motor y espere hasta que las cuchillas se detengan por completo. Reemplace las cuchillas dañadas o desafiladas inmediatamente, aun cuando sólo presenten grietas superficiales.
17. Si el equipo recibe un impacto fuerte o se cae, verifique la condición antes de continuar el trabajo. Verifique que el sistema de combustible no presente fugas y que los controles y dispositivos de seguridad funcionen correctamente. En caso de daños o dudas, solicite la inspección y reparación a nuestro centro de servicio autorizado.
18. No toque la caja de engranajes. La caja de engranajes se calienta durante la operación.
19. Tome un descanso para evitar la pérdida de control a causa de la fatiga. Recomendamos tomar de 10 a 20 minutos de descanso cada hora.
20. Cuando vaya a dejar el equipo, aunque sea por poco tiempo, siempre apague el motor o retire el cartucho de batería. Si el equipo se deja desatendido con el motor funcionando, alguna persona no autorizada podría utilizarlo y provocar un accidente grave.
21. Antes de cortar, jale completamente la palanca del acelerador para alcanzar la velocidad máxima.
22. Siga el manual de instrucciones de la unidad motorizada para el uso correcto de la palanca de control y el interruptor.
23. Durante o después de la operación, evite colocar el equipo caliente sobre césped seco o materiales combustibles.

### Transporte

1. Antes de transportar el equipo, apague el motor y retire la tapa de la bujía o el cartucho de batería. Siempre coloque la cubierta de las cuchillas durante el transporte.
2. Cuando transporte el equipo, cárguelo en posición horizontal sujetando el eje. Mantenga el silenciador caliente alejado de su cuerpo.
3. Cuando transporte el equipo en un vehículo, asegúrelo correctamente para evitar que se vuelque. De lo contrario, podría provocarse un derrame de combustible o daños al equipo y a los demás objetos transportados.

### Mantenimiento

1. Antes de realizar cualquier trabajo de mantenimiento, reparación o limpieza del equipo, apague siempre el motor y retire la tapa de la bujía o el cartucho de batería. Espere hasta que el motor se enfríe.
2. Para reducir el riesgo de incendio, nunca dé servicio al equipo cerca del fuego.
3. Use siempre guantes de protección cuando manipule las cuchillas.
4. Limpie siempre el polvo y la suciedad del equipo. Nunca utilice gasolina, bencina, disolvente, alcohol o sustancias similares para ese propósito. Esto podría ocasionar decoloración, deformación o grietas en los componentes de plástico.
5. Después de cada uso, apriete todos los tornillos y tuercas, excepto los tornillos de ajuste del carburador.
6. Mantenga afilada la herramienta de corte. Si las cuchillas de corte están desafiladas y el desempeño de corte es deficiente, solicite a nuestro centro de servicio autorizado que afile las cuchillas.
7. Nunca repare cuchillas dobladas o rotas enderezándolas o soldándolas. Esto podría causar que se desprendieran partes de las cuchillas y ocasionar lesiones graves. Póngase en contacto

con nuestro centro de servicio autorizado para solicitar cuchillas de reemplazo originales de Makita.

8. No intente realizar ningún tipo de mantenimiento o reparación que no esté descrito en este folleto o en el manual de instrucciones de la unidad motorizada. Solicite este tipo de trabajo a nuestro centro de servicio autorizado.
9. Siempre utilice únicamente piezas de repuesto y accesorios originales de Makita. El uso de piezas o accesorios suministrados por un tercero podría provocar fallas en el equipo, daños materiales y/o lesiones graves.
10. Solicite a nuestro centro de servicio autorizado que inspeccione y dé mantenimiento al cortasetos de manera periódica.

### Almacenamiento

1. Antes de almacenar el equipo, realice una limpieza completa y déle mantenimiento. Coloque la cubierta de las cuchillas.
2. Almacene el equipo en un lugar seco, en alto y bajo llave fuera del alcance de los niños.
3. No apoye el equipo contra algún objeto, tal como una pared. De lo contrario, el cortasetos podría caer repentinamente y causar una lesión.

### Primeros auxilios

1. Tenga siempre a la mano un botiquín de primeros auxilios. Reemplace inmediatamente cualquier artículo que tome del botiquín de primeros auxilios.
2. Cuando solicite ayuda, proporcione la siguiente información:
  - Lugar del accidente
  - Que fue lo que ocurrió
  - Número de personas lesionadas
  - Naturaleza de la lesión
  - Su nombre

## DESCRIPCIÓN DE LAS PIEZAS

► Fig.3

1	Cuchillas	2	Caja de engranajes	3	Tapa	4	Cubierta de las cuchillas
---	-----------	---	--------------------	---	------	---	---------------------------

## MONTAJE

**⚠ADVERTENCIA:** Antes de ensamblar o ajustar el equipo, apague el motor y retire la tapa de la bujía o el cartucho de batería. De lo contrario, las cuchillas u otras piezas podrían moverse y causar lesiones graves.

**⚠ADVERTENCIA:** Antes de manipular o trabajar alrededor de las cuchillas, póngase guantes de protección y coloque la cubierta a las cuchillas. De lo contrario, las cuchillas podrían causar cortaduras graves en las manos descubiertas.

**⚠ADVERTENCIA:** Cuando ensamble o ajuste el equipo, déjelo siempre en el suelo. El ensamble o ajuste del equipo en una posición vertical podría ocasionar lesiones graves.

**⚠ADVERTENCIA:** Siga las advertencias y precauciones contenidas en el capítulo "Precauciones de seguridad" y el manual de instrucciones de la unidad motorizada.

### Instalación del accesorio en una unidad motorizada

Para instalar el accesorio en una unidad motorizada, siga los pasos a continuación.

1. Asegúrese de que la palanca de bloqueo no esté apretada.
2. Alinee el pasador con la marca de flecha.
3. Inserte el eje en el eje de transmisión de la unidad motorizada hasta que la línea de posición y el botón de liberación aparezcan.
4. Apriete la palanca de bloqueo con firmeza tal como se muestra.

Para extraer el accesorio, afloje la palanca de bloqueo girándola en la dirección opuesta, luego oprima el botón de bloqueo y retire el eje.

► Fig.4: 1. Palanca de bloqueo 2. Pasador 3. Marca de flecha 4. Línea de posición 5. Botón de liberación

**AVISO:** No apriete la palanca de bloqueo sin que el eje del accesorio esté insertado. De lo contrario, la palanca de bloqueo puede apretar demasiado la entrada del eje de transmisión y podría dañarla.

## OPERACIÓN

**⚠ADVERTENCIA:** Si las cuchillas se mueven al ralenti, reduzca la velocidad de ralenti del motor. De lo contrario, no podrá detener las cuchillas con el acelerador apagado y esto podría causar lesiones graves.

**⚠ADVERTENCIA:** Siga las advertencias y precauciones contenidas en el capítulo "INSTRUCCIONES IMPORTANTES DE SEGURIDAD" y el manual de instrucciones de la unidad motorizada.

### Corte horizontal

Cuando corte setos horizontalmente, siga los pasos a continuación.

1. Jale completamente la palanca del acelerador.
2. Coloque las cuchillas sobre el seto a un ángulo de 15° a 30°.
3. Corte el seto con un movimiento de vaivén de derecha a izquierda.

► Fig.5

### Corte vertical

Cuando corte setos verticalmente, siga los pasos a continuación.

1. Jale completamente la palanca del acelerador.
2. Coloque las cuchillas sobre el seto de manera que queden paralelos entre sí.
3. Corte el seto con un movimiento de vaivén de abajo hacia arriba.

► Fig.6

## MANTENIMIENTO

**⚠ADVERTENCIA:** Antes de inspeccionar o dar mantenimiento al equipo, apague el motor y retire la tapa de la bujía o el cartucho de batería. De lo contrario, las cuchillas u otras piezas podrían moverse y causar lesiones graves.

**⚠ADVERTENCIA:** Antes de manipular o trabajar alrededor de las cuchillas, póngase guantes de protección y coloque la cubierta a las cuchillas. Durante el ensamble o ajuste, sus dedos podrían entrar en contacto con las cuchillas ocasionando lesiones graves.

**⚠ADVERTENCIA:** Cuando inspeccione o dé mantenimiento al equipo, deje siempre el cortasetos en el suelo. El ensamble o ajuste del equipo en una posición vertical podría ocasionar lesiones graves.

**⚠ADVERTENCIA:** Siga las advertencias y precauciones contenidas en el capítulo "INSTRUCCIONES IMPORTANTES DE SEGURIDAD" y el manual de instrucciones de la unidad motorizada.

### Inspección de las cuchillas

Revise diariamente las cuchillas para ver si hay daños, grietas o bordes desafilados. Solicite a nuestro centro de servicio autorizado que reemplace las cuchillas dañadas o afile los bordes desafilados.

### Ajuste de la holgura entre las cuchillas

Las cuchillas superiores/inferiores se desgastan gradualmente después de las operaciones. Si no logra obtener un corte limpio aun cuando las cuchillas estén suficientemente afiladas, ajuste la holgura de la siguiente manera.

El nivel de apriete del perno hexagonal determina la holgura entre las cuchillas. La tuerca sostiene el perno hexagonal con cierto nivel de apriete. Demasiada holgura causa un corte desafilado, mientras que muy poca holgura genera calor innecesario y un desgaste más rápido de las cuchillas.

1. Afloje las tuercas con una llave.
2. Apriete ligeramente los pernos hexagonales hasta que se detengan. Y luego vuélvalos a apretar entre un cuarto y media vuelta cada uno para obtener la holgura necesaria.
3. Sujete los pernos hexagonales y apriete las tuercas.
4. Aplique un aceite ligero sobre la superficie de fricción de las cuchillas.
5. Ponga en marcha el motor y active y desactive el acelerador

durante un minuto.

6. Mida cuánto tiempo toma para que las cuchillas se detengan después de soltar el acelerador. Si toma dos segundos o más, apague el motor y repita los pasos 1 a 6.

7. Apague el motor y toque la superficie de las cuchillas. Si no están demasiado calientes al tocarlas, ha realizado el ajuste adecuado. Si están demasiado calientes al tocarlas, desenrosque un poco los pernos hexagonales y repita los pasos 5 a 7.

► **Fig.7:** 1. Tuerca 2. Perno hexagonal 3. Placa 4. Protector de cuchillas 5. Cuchilla superior 6. Cuchilla inferior

### Lubricación de las piezas móviles

**AVISO:** Siga las instrucciones relativas a la frecuencia y la cantidad de grasa suministrada. De lo contrario, una lubricación insuficiente podría dañar las piezas móviles.

► **Fig.8**

### Caja de engranajes:

Aplique grasa cada 25 horas de trabajo.

1. El orificio para el engrasado está ubicado debajo del perno. Retire el perno para lubricar.
2. Agregue aproximadamente 5 g (7 cc) de grasa en el orificio para el engrasado.

3. Regrese a su lugar el perno después de lubricar.

► **Fig.9:** 1. Orificio para el engrasado

**NOTA:** Después de rellenar con la cantidad de grasa correcta, un poco de grasa saldrá de la base de la cuchilla durante la primera operación.

### Eje de transmisión:

Aplique grasa cada 25 horas de trabajo.

### Inspección general

- Apriete los pernos, tuercas y tornillos flojos.
- Verifique que no haya piezas o cuchillas dañadas. Solicite su reemplazo a nuestro centro de servicio autorizado en caso necesario.

### Almacenamiento

**ADVERTENCIA:** Siga las advertencias y precauciones contenidas en el capítulo "INSTRUCCIONES IMPORTANTES DE SEGURIDAD" y el manual de instrucciones de la unidad motorizada.

Quando almacene el accesorio para cortasetos separado de la unidad motorizada, coloque la tapa en el extremo del eje.

► **Fig.10**

## INTERVALO DE MANTENIMIENTO

		Antes de la operación	Diariamente (10 h)	25 h	En caso necesario
Toda la unidad	Inspeccionar visualmente en busca de piezas dañadas	○	-	-	-
Todos los tornillos y tuercas de fijación	Apretar	○	-	-	-
Cuchillas	Inspeccionar en busca de daños, grietas o bordes desafilados	-	○	-	-
	Ajustar la holgura	-	-	-	○
Caja de engranajes	Suministrar grasa	-	-	○	-
Eje de transmisión	Suministrar grasa	-	-	○	-
Unidad motorizada	Consultar el manual de instrucciones de la unidad motorizada				

## RESOLUCIÓN DE PROBLEMAS

Estado de la anomalía	Causa probable (avería)	Remedio
El motor no arranca.	Consultar el manual de instrucciones de la unidad motorizada.	Consultar el manual de instrucciones de la unidad motorizada.
El motor se detiene al poco tiempo de arrancarlo.	Consultar el manual de instrucciones de la unidad motorizada.	Consultar el manual de instrucciones de la unidad motorizada.
La velocidad máxima está limitada.	Consultar el manual de instrucciones de la unidad motorizada.	Consultar el manual de instrucciones de la unidad motorizada.
Las cuchillas no se mueven. ⇒ <b>¡Detenga el motor inmediatamente!</b>	Ángulo inapropiado de la unidad de corte.	Asegúrese de que el bloqueo del ángulo encaje correctamente.
Las cuchillas no se mueven. ⇒ <b>¡Detenga el motor inmediatamente!</b>	Hay una rama pequeña atrapada en las cuchillas.	Retire el objeto extraño.
Las cuchillas no se mueven. ⇒ <b>¡Detenga el motor inmediatamente!</b>	El sistema de accionamiento no funciona correctamente.	Solicite su inspección y reparación a nuestro centro de servicio autorizado.
La unidad vibra de forma anormal. ⇒ <b>¡Detenga el motor inmediatamente!</b>	El sistema de accionamiento no funciona correctamente.	Solicite su inspección y reparación a nuestro centro de servicio autorizado.
Las cuchillas no se detienen. ⇒ <b>¡Detenga el motor inmediatamente!</b>	La unidad motorizada no funciona correctamente.	Consultar el manual de instrucciones de la unidad motorizada.

## ACCESORIOS OPCIONALES

**PRECAUCIÓN:** Estos accesorios o aditamentos están recomendados para utilizarse con su herramienta Makita especificada en este manual. El empleo de cualquier otro accesorio o aditamento puede conllevar el riesgo de lesiones personales. Utilice los accesorios o aditamentos solamente para su fin establecido.

accesorios, pregunte a su centro de servicio local Makita.

- Juego de cuchillas

**NOTA:** Algunos de los artículos en la lista pueden incluirse en el paquete de la herramienta como accesorios estándar. Éstos pueden variar de país a país.

Si necesita cualquier ayuda para más detalles en relación con estos



## ESPECIFICAÇÕES

Modelo:	EN410MP
Dimensões (C x L x A)	1.104 x 85 x 61 (43-1/2" x 3-3/8" x 2-3/8")
Peso líquido	2,0 kg (4,5 lbs)
Comprimento de corte efetivo	490 mm (19-1/4")
Razão de transmissão	1 : 4,7

- Em função do nosso contínuo programa de pesquisa e desenvolvimento, as especificações que constam neste manual estão sujeitas a mudanças sem aviso prévio.
- As especificações podem diferir de país para país.

### Unidade motriz aprovada

**AVISO:** Nunca use o implemento com uma unidade motriz não aprovada. O uso de uma combinação não aprovada pode causar ferimentos sérios.

Este implemento é aprovado para ser usado somente com as seguintes unidades motrizes:

- (Cabeçote motorizado multifuncional)  
EX2650LH
- (Cabeçote motorizado multifuncional a bateria)  
BUX360, BUX361, BUX362, UX360D, UX361D, UX362D, DUX60, XUX01

### Implemento aprovado

**AVISO:** Nunca use um implemento não aprovado. O uso de uma combinação não aprovada pode causar ferimentos sérios.

Este implemento é aprovado para ser usado somente com o(s) seguinte(s) implemento(s):

- (Extensão do Tubo)  
LE400MP

### Símbolos

A seguir, estão os símbolos usados para esta ferramenta. Certifique-se de que compreende o seu significado antes da utilização.

	Leia e siga o manual de instruções.
	Tenha muito cuidado e atenção!
	Proibido!
	Cuidado com linhas de eletricidade. Risco de choque elétrico.
	Perigo de pinçamento.
	Use luvas de proteção.
	Use capacete de segurança, protetor visual e proteção auditiva.
	Use botas resistentes com solado antiderrapante.
	Mantenha pessoas e animais na área a pelo menos 15 m da ferramenta elétrica.
	Mantenha a área de operação totalmente livre de pessoas e animais.
	Primeiros socorros

### Indicação de uso

Este implemento é projetado com o propósito único de aparar arbustos e cerca vivas em conjunção com uma unidade motriz aprovada. Nunca use o implemento para outro propósito. O uso inadequado deste implemento pode causar ferimentos graves.

## AVISOS DE SEGURANÇA

### INSTRUÇÕES DE SEGURANÇA IMPORTANTES

**AVISO:** Leia todos os avisos de segurança e instruções contidos neste folheto e no manual de instruções da unidade motriz. O não seguimento dos avisos e instruções pode resultar em choque elétrico, incêndio e/ou ferimentos graves.

**AVISO:** Guarde todos os avisos e instruções para referências futuras.

Os termos “aparador de cerca viva” e “equipamento” citados nos avisos e precauções referem-se à combinação do implemento e da unidade motriz.

O termo “motor” citado nos avisos e precauções refere-se ao motor ou motor elétrico da unidade motriz.

### Precauções gerais

1. Antes de ligar o aparador de cerca viva, leia este folheto e o manual de instruções da unidade motriz para se familiarizar com o manuseio do aparador de cerca viva.
2. Não empreste o implemento para uma pessoa que não tenha suficiente experiência ou conhecimento sobre como manusear aparadores de cerca viva.
3. Ao emprestar o implemento para alguém, sempre inclua o manual de instruções.
4. Não permita que crianças ou jovens menores de 18 anos usem o aparador de cerca viva. Mantenha-os afastados do aparador de cerca viva.
5. Manuseie o aparador de cerca viva com o maior cuidado e atenção.
6. Nunca use o aparador de cerca viva após consumir álcool ou drogas, ou se estiver cansado ou doente.
7. Nunca tente modificar este implemento.
8. Siga os regulamentos do seu país sobre manuseio de aparadores de cerca viva.

### Equipamentos de proteção pessoal

#### ► Fig.1

1. Use capacete de segurança, óculos de segurança e luvas de proteção para se proteger contra a projeção de fragmentos ou a queda de objetos.
2. Use protetor auditiva, como abafador de ruído, para evitar perda auditiva.
3. Use roupas e sapatos adequados para garantir uma operação segura, como um avental de trabalho e sapatos resistentes e antiderrapantes. Não use roupas folgadas ou joias. Roupas folgadas, joias ou cabelos longos podem ficar presos em peças em movimento.
4. Ao tocar nas lâminas ou ajustar o ângulo da lâmina, use luvas de proteção. As lâminas podem causar cortes graves em mãos não protegidas.

## Segurança da área de trabalho

**⚠️AVISO:** Mantenha o aparador de cerca viva longe de linhas de eletricidade e cabos de comunicação. Tocar ou chegar perto de linhas de alta tensão com o aparador de cerca viva pode resultar em morte ou ferimento grave. Verifique se há linhas de energia ou cercas elétricas em torno da área de trabalho antes de começar a operação.

**⚠️AVISO:** O uso deste produto pode gerar pó que contém produtos químicos, os quais podem causar doenças respiratórias ou outros tipos de doenças. Alguns exemplos desses produtos químicos são os compostos encontrados em pesticidas, inseticidas, fertilizantes e herbicidas. O risco resultante dessas exposições varia conforme o quão frequente você faz esse tipo de trabalho. Para reduzir a sua exposição a esses produtos químicos: Trabalhe em uma área bem ventilada e use equipamentos de segurança aprovados, como as máscaras contra pó especialmente projetadas para filtrar partículas microscópicas.

1. Opere o aparador de cerca viva somente em condições de boa visibilidade e à luz do dia. Não opere o aparador de cerca viva em ambiente escuro ou com neblina.
2. Ligue e opere o motor somente em áreas externas e bem ventiladas. A operação em uma área confinada ou má ventilada pode resultar em morte causada por sufocamento ou envenenamento por monóxido de carbono.
3. Durante a operação, nunca fique em pé em uma superfície instável ou escorregadia ou em um forte declive. Durante os meses mais frios, tome cuidado com gelo e neve e sempre certifique-se de que está em posição estável.
4. Durante a operação, mantenha pessoas ou animais a pelo menos 15 m do aparador de cerca viva. Pare o motor assim que alguém se aproximar.
5. Antes da operação, examine a área de trabalho verificando se há cercas elétricas, pedras ou outros objetos sólidos. Eles podem danificar as lâminas.

### Para colocar em operação

1. Antes de montar ou ajustar o equipamento, desligue o motor e remova o cachimbo da vela de ignição ou a bateria.
2. Antes de montar as lâminas ou ajustar o ângulo de corte, coloque luvas de proteção.
3. Antes de dar a partida no motor, inspecione o equipamento para verificar se há danos, parafusos ou porcas frouxos ou montagem inadequada. Substitua as lâminas se estiverem trincadas, empenadas ou danificadas. Cheque se todos os interruptores e alavancas de controle podem ser facilmente acionados. Limpe e seque as empunhaduras.
4. Nunca tente dar a partida no motor se o equipamento estiver danificado ou não estiver totalmente montado. Do contrário, poderá resultar em ferimentos graves.
5. Ajuste a correia de ombro e a pega da mão de acordo com o tamanho do corpo do operador.

### Operação

1. Em caso de emergência, desligue o motor imediatamente.
2. Se perceber alguma condição anormal (por ex. ruído, vibração) durante a operação, desligue o motor. Não use o aparador de cerca viva até que a causa seja identificada e solucionada.
3. As lâminas continuam a se mover por um curto período após você soltar o gatilho do acelerador ou desligar o motor. Não tente tocar nas lâminas imediatamente.
4. Com o motor funcionando somente em vazio, conecte a correia de ombro.
5. Use a correia de ombro durante a operação. Mantenha o aparador de cerca viva no seu lado direito e segure-o firmemente.

#### ► Fig.2

6. Segure a empunhadura frontal com a mão esquerda e a pega traseira com a mão direita, independente de você ser destro ou canhoto. Envolver os seus dedos completamente em torno das empunhaduras.
7. Nunca tente operar o equipamento somente com uma mão. A perda do controle pode resultar em ferimentos graves ou morte. Para reduzir o risco de ferimentos por corte, mantenha as mãos e os pés longe das lâminas.
8. Não tente alcançar locais distantes demais. Mantenha sempre seu equilíbrio e os pés firmes sobre uma superfície. Preste atenção se há obstáculos escondidos, como raízes, tocos de árvore e valetas, para evitar tropeçar. Retire ramos e outros objetos caídos no chão.
9. Nunca trabalhe em uma escada ou árvore, para evitar a perda do controle.

10. Não segure a máquina acima da altura do ombro.
11. Durante a operação, nunca bata as lâminas contra obstáculos rígidos, como pedras e metais. Tenha cuidado especial ao cortar cercas vivas perto de cercas elétricas ou que estejam encostadas em cercas elétricas. Ao trabalhar perto do solo, certifique-se de não deixar que areia, pedregulhos e pedras se insiram entre as lâminas.
12. Se as lâminas entrarem em contato com pedras ou outros objetos sólidos, pare o motor imediatamente e, depois de remover a vela de ignição ou a bateria, cheque se as lâminas foram danificadas. Troque as lâminas se estiverem danificadas.
13. Se galhos grossos ficarem presos entre as lâminas, pare o motor imediatamente, coloque o aparador de cerca viva no chão e, depois de remover a vela de ignição ou a bateria, remova a obstrução. Verifique se as lâminas não estão danificadas antes de usar o equipamento novamente.
14. Nunca toque ou se aproxime das lâminas enquanto elas estão em movimento. As lâminas podem facilmente cortar seus dedos. Antes de manusear as lâminas ou ajustar o ângulo da lâmina, desligue o motor e remova o cachimbo da vela de ignição ou a bateria.
15. Acelerar o motor com as lâminas bloqueadas aumenta a carga e danifica o motor e/ou embreagem.
16. Examine as lâminas de corte frequentemente durante a operação, verificando se estão trincadas ou se há fios cegos. Antes da inspeção, desligue o motor e espere até que as lâminas parem completamente. Substitua as lâminas se estiverem danificadas ou cegas, mesmo se as trincas forem somente superficiais.
17. Se o equipamento sofrer um grande impacto ou cair no chão, verifique se está em boas condições antes de continuar o trabalho. Verifique se há vazamento de combustível no sistema de combustível e se os controles e dispositivos de segurança estão funcionando adequadamente. Se houver qualquer dano ou se estiver em dúvida, envie o equipamento para inspeção e reparo no nosso centro de assistência técnica autorizada.
18. Não toque na caixa de engrenagens. A caixa de engrenagens fica quente durante a operação.
19. Descanse para evitar perda de controle causada por cansaço. Recomendamos tirar de 10 a 20 minutos de descanso a cada hora de trabalho.
20. Ao deixar o equipamento em algum lugar, mesmo que seja por um curto período, sempre desligue o motor ou remova a bateria. Se o equipamento ficar desatendido com o motor funcionando, ele pode ser usado por uma pessoa não autorizada e causar acidente grave.
21. Antes de começar a cortar, puxe totalmente a alavanca do acelerador para alcançar a velocidade máxima.
22. Verifique no manual de instruções da unidade motriz como usar adequadamente a alavanca de controle e o interruptor.
23. Durante ou depois da operação, não coloque o equipamento quente sobre grama seca ou materiais combustíveis.

### Transporte

1. Antes de transportar o equipamento, desligue o motor e remova o cachimbo da vela de ignição ou a bateria. Sempre coloque a capa da lâmina para fazer o transporte.
2. Ao movimentar o equipamento, carregue-o em uma posição horizontal e segure-o pelo eixo. Mantenha o silenciador quente longe do seu corpo.
3. Ao transportar o equipamento em um veículo, prenda-o firmemente para evitar que caia para um dos lados. Do contrário, pode ocorrer derramamento de combustível e dano ao equipamento ou outros pertences.

### Manutenção

1. Antes de fazer qualquer trabalho de manutenção, reparo ou limpeza no equipamento, sempre desligue o motor e remova o cachimbo da vela de ignição ou a bateria. Espere até o motor esfriar.
2. Para reduzir o risco de incêndio, nunca faça manutenção no equipamento perto de chamas.
3. Sempre use luvas de proteção ao manusear as lâminas.
4. Sempre limpe pó e sujeiras presentes no equipamento. Nunca use gasolina, benzina, tiner, álcool ou similar para fazer a limpeza. Pode resultar em descoloração, deformação ou trincas nos componentes plásticos.
5. Após cada uso, aperte todos os parafusos e porcas, exceto os parafusos de ajuste do carburador.
6. Mantenha a ferramenta de corte afiada. Se as lâminas de corte ficarem cegas e com desempenho de corte baixo, peça ao nosso centro de assistência técnica autorizada para afiar as lâminas.
7. Nunca repare lâminas empenadas ou quebradas

desempenando-as ou soldando-as. Isso pode fazer com que partes das lâminas se soltem e causem ferimentos graves. Contate o nosso centro de assistência técnica autorizada para obter lâminas originais da Makita para substituição.

8. Não tente fazer qualquer manutenção ou reparo que não esteja descrito neste folheto ou no manual de instruções da unidade motriz. Para este tipo de trabalho, solicite a ajuda do nosso centro de assistência técnica autorizada.
9. Sempre use somente acessórios e peças de reposição originais da Makita. O uso de peças ou acessórios fornecidos por um terceiro pode resultar na quebra de equipamento, danos patrimoniais e/ou ferimentos graves.
10. Leve periodicamente o aparador de cerca viva a um centro de assistência técnica autorizada para inspeção e manutenção.

### Armazenamento

1. Antes de guardar o equipamento, execute uma limpeza completa e sua manutenção. Coloque a capa da lâmina.
2. Guarde o equipamento em um local seco e alto ou trancado longe do alcance de crianças.
3. Não apoie o equipamento contra algo, como uma parede. Do contrário, o aparador de cerca viva pode cair de repente e causar ferimentos.

### Primeiros socorros

1. Tenha sempre um kit de primeiros socorros nas proximidades. Substitua imediatamente qualquer item retirado do kit de primeiros socorros.
2. **Ao solicitar ajuda, forneça as seguintes informações:**
  - Local do acidente
  - O que aconteceu
  - Número de pessoas feridas
  - Natureza do ferimento
  - Seu nome

## DESCRIÇÃO DAS PEÇAS

► Fig.3

1	Lâminas	2	Caixa de engrenagens	3	Tampa	4	Capa da lâmina
---	---------	---	----------------------	---	-------	---	----------------

## MONTAGEM

**AVISO:** Antes de montar ou ajustar o equipamento, desligue o motor e remova o cachimbo da vela de ignição ou a bateria. Do contrário, as lâminas ou outras peças podem se mover e causar ferimentos graves.

**AVISO:** Para manusear ou trabalhar perto das lâminas, use luvas de proteção e coloque a capa da lâmina sobre as lâminas. Do contrário, as lâminas podem causar cortes graves em mãos não protegidas.

**AVISO:** Ao montar ou ajustar o equipamento, sempre coloque-o na posição horizontal. Montar ou ajustar o equipamento em uma posição vertical pode causar ferimentos graves.

**AVISO:** Siga os avisos e precauções descritos no capítulo "Precauções de segurança" e no manual de instruções da unidade motriz.

### Montagem do implemento em uma unidade motriz

Para montar o implemento em uma unidade motriz, siga as etapas abaixo.

1. Certifique-se de que a alavanca de travamento não está apertada.
2. Alinhe o pino com a marca de seta.
3. Insira o eixo no eixo de acionamento da unidade motriz até chegar à linha de posição e o botão de liberação sair para cima.
4. Aperte a alavanca de travamento firmemente, como mostrado.

Para remover o implemento, solte a alavanca de travamento girando-a na direção oposta, pressione o botão de trava e retire o eixo.

► Fig.4: 1. Alavanca de travamento 2. Pino 3. Marca de seta 4. Linha de posição 5. Botão de liberação

**OBSERVAÇÃO:** Não aperte a alavanca de travamento sem o eixo do implemento estar inserido. Do contrário, a alavanca de travamento pode apertar demais a entrada do eixo de acionamento e danificá-lo.

## OPERAÇÃO

**AVISO:** Se as lâminas se moverem quando funcionando em vazio, diminua a velocidade em vazio do motor. Do contrário, você não conseguirá parar as lâminas com o acelerador desligado e poderá causar ferimentos graves.

**AVISO:** Siga os avisos e precauções descritos no capítulo "INSTRUÇÕES IMPORTANTES DE SEGURANÇA" e no manual de instruções da unidade motriz.

### Corte horizontal

Ao aparar cercas vivas horizontalmente, siga os passos abaixo.

1. Puxe a alavanca de aceleração até o fim.
  2. Coloque as lâminas sobre a cerca viva a um ângulo de 15° a 30°.
  3. Apare a cerca viva com um movimento oscilante da direita para a esquerda.
- Fig.5

### Corte vertical

Ao aparar cercas vivas verticalmente, siga os passos abaixo.

1. Puxe a alavanca de aceleração até o fim.
  2. Coloque as lâminas sobre a cerca viva paralelas entre si.
  3. Apare a cerca viva com um movimento oscilante de baixo para cima.
- Fig.6

## MANUTENÇÃO

**AVISO:** Antes de inspecionar ou fazer a manutenção do equipamento, desligue o motor e remova o cachimbo da vela de ignição ou a bateria. Do contrário, as lâminas ou outras peças podem se mover e causar ferimentos graves.

**AVISO:** Para manusear ou trabalhar perto das lâminas, use luvas de proteção e coloque a capa da lâmina sobre as lâminas. Os seus dedos podem entrar em contato com as lâminas durante a montagem ou ajuste e sofrer ferimentos graves.

**AVISO:** Ao inspecionar ou fazer a manutenção do equipamento, sempre coloque o aparador de cerca viva na posição horizontal. Montar ou ajustar o equipamento em uma posição vertical pode causar ferimentos graves.

**AVISO:** Siga os avisos e precauções descritos no capítulo "INSTRUÇÕES IMPORTANTES DE SEGURANÇA" e no manual de instruções da unidade motriz.

### Inspeção das lâminas

Verifique diariamente se as lâminas estão danificadas, trincadas ou cegas. Peça ao nosso centro de assistência técnica autorizada para substituir lâminas danificadas ou afiar lâminas cegas.

### Ajuste do espaçamento da lâmina

As lâminas superiores/inferiores se desgastam gradualmente durante as operações. Se você não conseguir um corte preciso apesar de as lâminas estarem suficientemente afiadas, ajuste o espaçamento da seguinte maneira.

O aperto do parafuso passante sextavado define o espaçamento das lâminas. A porca prende o parafuso passante sextavado com um determinado aperto. Um espaçamento muito grande causa um corte cego, mas um espaçamento muito pequeno causa aquecimento desnecessário e um desgaste prematuro das lâminas.

1. Solte as porcas com uma chave.
2. Aperte os parafusos passantes sextavados levemente até eles pararem de girar. Em seguida, desparafuse cada um deles de um quarto a meia volta para obter o espaçamento necessário.

3. Segure os parafusos passantes sextavados e aperte as porcas.
4. Aplique óleo leve na superfície de atrito das lâminas.
5. Dê a partida no motor e ative e desative o acelerador por um minuto.
6. Meça o tempo necessário para as lâminas pararem após soltar o acelerador. Se for dois segundos ou mais, desligue o motor e repita as etapas 1 a 6.

7. Desligue o motor e toque na superfície da lâmina. Se elas não estiverem muito quentes ao toque, o ajuste feito está apropriado. Se elas estiverem muito quente ao toque, desparafuse os parafusos passantes sextavados um pouco e repita as etapas 5 a 7.

- **Fig.7:** 1. Porca 2. Parafuso passante sextavado 3. Prato  
4. Proteção da lâmina 5. Lâmina superior 6. Lâmina inferior

### Lubrificação de partes em movimento

**OBSERVAÇÃO:** Siga as instruções sobre frequência de lubrificação e quantidade de graxa necessária. Do contrário, uma lubrificação insuficiente pode danificar as partes em movimento.

- **Fig.8**

### Caixa de engrenagens:

Aplique graxa a cada 25 horas de trabalho.

1. O orifício de lubrificação está localizado embaixo do parafuso

passante. Remova o parafuso passante para lubrificar.

2. Adicione cerca de 5 g (7 cc) de graxa ao orifício de lubrificação.
3. Recoloque o parafuso passante após a lubrificação.

- **Fig.9:** 1. Orifício de lubrificação

**NOTA:** Após a quantidade correta de graxa ter sido colocada, irá sair um pouco de graxa da base da lâmina durante a primeira operação.

### Eixo de acionamento:

Aplique graxa a cada 25 horas de trabalho.

### Inspeção geral

- Aperte os parafusos passantes, porcas e parafusos que estiverem soltos.
- Cheque se há peças e lâminas danificadas. Peça ao nosso centro de assistência técnica autorizada para substituí-las se necessário.

### Armazenamento

**AVISO:** Siga os avisos e precauções descritos no capítulo "INSTRUÇÕES IMPORTANTES DE SEGURANÇA" e no manual de instruções da unidade motriz.

Ao guardar o implemento aparador de cerca viva separado da unidade motriz, coloque a tampa na extremidade do eixo.

- **Fig.10**

## INTERVALO DE MANUTENÇÃO

		Antes da operação	Diária (10 h)	25 h	Se necessário
Unidade inteira	Inspeccionar visualmente se há peças danificadas	○	-	-	-
Todos os parafusos e porcas de fixação	Apertar	○	-	-	-
Lâminas	Verificar se há danos, trincas ou fio cego	-	○	-	-
	Ajustar o espaçamento	-	-	-	○
Caixa de engrenagens	Colocar graxa	-	-	○	-
Eixo de acionamento	Colocar graxa	-	-	○	-
Unidade motriz	Consulte o manual de instruções da unidade motriz				

## SOLUÇÃO DE PROBLEMAS

Estado de anormalidade	Causa provável (funcionamento incorreto)	Reparação
O motor não liga.	Consulte o manual de instruções da unidade motriz.	Consulte o manual de instruções da unidade motriz.
O motor para logo após ser ligado.	Consulte o manual de instruções da unidade motriz.	Consulte o manual de instruções da unidade motriz.
A velocidade máxima é limitada.	Consulte o manual de instruções da unidade motriz.	Consulte o manual de instruções da unidade motriz.
As lâminas não se movem. ⇒ <b>Pare o motor imediatamente!</b>	Ângulo impróprio da unidade de corte.	Certifique-se de que a trava do ângulo está travando adequadamente.
As lâminas não se movem. ⇒ <b>Pare o motor imediatamente!</b>	Um graveto está preso nas lâminas.	Remova o material estranho.
As lâminas não se movem. ⇒ <b>Pare o motor imediatamente!</b>	O sistema de acionamento não funciona corretamente.	Peça ao nosso centro de assistência técnica autorizada para fazer a inspeção e reparo.
A unidade está vibrando de modo irregular. ⇒ <b>Pare o motor imediatamente!</b>	O sistema de acionamento não funciona corretamente.	Peça ao nosso centro de assistência técnica autorizada para fazer a inspeção e reparo.
As lâminas não param. ⇒ <b>Pare o motor imediatamente!</b>	A unidade motriz não funciona corretamente.	Consulte o manual de instruções da unidade motriz.

## ACESSÓRIOS OPCIONAIS

**PRECAUÇÃO:** Os acessórios ou extensões especificados neste manual são recomendados para utilização com a sua ferramenta Makita. A utilização de quaisquer outros acessórios ou extensões pode causar risco de ferimentos. Utilize o acessório ou extensão apenas para o fim a que se destina.

solicite-as ao centro de assistência técnica Makita em sua região.

- Conjunto de lâminas

**NOTA:** Alguns itens da lista podem estar incluídos na embalagem da ferramenta como acessórios padrão. Eles podem variar de país para país.

Se necessitar de informações adicionais relativas a estes acessórios,

## SPEKIFIKASI

Model:	EN410MP
Dimensi (P x L x T)	1.104 x 85 x 61 (43-1/2" x 3-3/8" x 2-3/8")
Berat bersih	2,0 kg (4,5 pon)
Panjang pemotongan efektif	490 mm (19-1/4")
Rasio roda gigi	1 : 4,7

- Karena kesinambungan program penelitian dan pengembangan kami, spesifikasi yang disebutkan di sini dapat berubah tanpa pemberitahuan.
- Spesifikasi dapat berbeda dari satu negara ke negara lainnya.

### Unit daya disetujui

**⚠️ PERINGATAN:** Jangan gunakan alat pelengkap dengan unit daya yang tidak disetujui. Kombinasi yang tidak disetujui dapat menyebabkan cedera serius.

Alat pelengkap ini disetujui hanya untuk digunakan dengan unit daya berikut:

- (Kepala Daya Multifungsi)  
EX2650LH
- (Kepala Daya Tanpa Kabel Multifungsi)  
BUX360, BUX361, BUX362, UX360D, UX361D, UX362D,  
DUX60, XUX01

### Alat tambahan yang disetujui

**⚠️ PERINGATAN:** Jangan pernah menggunakan alat tambahan yang tidak disetujui. Kombinasi yang tidak disetujui dapat menyebabkan cedera serius.

Alat pelengkap ini disetujui hanya untuk digunakan dengan alat tambahan berikut:

- (Alat tambahan perpanjangan poros)  
LE400MP

### Simbol

Berikut ini adalah simbol-simbol yang digunakan pada peralatan ini. Pastikan Anda mengerti makna masing-masing simbol sebelum menggunakan alat.



Baca dan ikuti instruksi buku petunjuk ini.



Berhati-hatilah dan pusatkan perhatian!



Dilarang!



Hati-hati terhadap saluran listrik. Risiko terkena sengatan listrik.



Hati-hati terjepit.



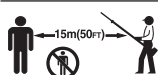
Gunakan sarung tangan pelindung.



Gunakan helm pelindung, serta pelindung mata dan telinga.



Gunakan sepatu bot yang kuat dengan sol yang tidak licin.



Jauhkan penonton dan binatang setidaknya 15 m dari alat listrik.



Jauhkan daerah operasi bebas dari semua orang dan hewan peliharaan.



P3K

### Penggunaan

Alat pelengkap ini dirancang hanya untuk memotong semak-semak dan pagar bersama dengan unit daya yang telah disetujui. Jangan pernah gunakan alat pelengkap ini untuk tujuan lain. Penyalahgunaan alat pelengkap dapat menyebabkan cedera yang berat.

## PERINGATAN KESELAMATAN

### PETUNJUK KESELAMATAN PENTING

**⚠️ PERINGATAN:** Baca semua peringatan keamanan dan semua petunjuk dalam buku ini dan instruksi buku petunjuk dari unit daya. Kelalaian mematuhi peringatan dan petunjuk dapat menyebabkan sengatan listrik, kebakaran dan/atau cedera yang berat.

**⚠️ PERINGATAN:** Simpanlah semua peringatan dan petunjuk untuk acuan di masa depan.

Istilah "pemotong pagar" dan "peralatan" di dalam peringatan dan tindakan pencegahan mengacu pada kombinasi antara alat pelengkap dan unit daya.

Istilah "motor" di dalam peringatan dan tindakan pencegahan mengacu pada mesin atau motor elektrik unit daya.

### Tindakan pencegahan umum

1. Sebelum menyalakan pemotong pagar, baca buku ini dan panduan unit daya agar lebih tahu dengan penanganan pemotong pagar.
2. Jangan meminjamkan alat pelengkap kepada orang yang kurang berpengalaman atau tidak tahu mengenai cara untuk menangani pemotong pagar.
3. Ketika meminjamkan alat pelengkap, selalu sertakan buku panduan ini.
4. Jangan biarkan anak kecil atau anak di bawah umur 18 tahun untuk menggunakan alat pemotong pagar. Jauhkan mereka dari alat pemotong pagar.
5. Perlakukan alat pemotong rumput dengan teliti dan penuh perhatian.
6. Jangan pernah menggunakan alat pemotong pagar setelah mengonsumsi alkohol atau obat-obatan terlarang, atau ketika merasa capek atau sakit.
7. Jangan pernah mencoba untuk mengubah alat pelengkap.
8. Patuhi peraturan mengenai penggunaan pemotong pagar di negara Anda.

### Alat pelindung diri

#### ► Gbr.1

1. Gunakan helm pengaman, kacamata pelindung, dan sarung tangan untuk melindungi diri dari serpihan yang terbang atau benda jatuh.
2. Gunakan pelindung telinga seperti sarung telinga untuk mencegah gangguan pendengaran.
3. Gunakan pakaian dan sepatu yang sesuai untuk penggunaan yang aman, seperti baju terusan kerja dan sepatu yang kuat, tidak licin. Jangan memakai pakaian yang kedodoran atau perhiasan. Pakaian kedodoran, perhiasan, atau rambut panjang dapat tersangkut pada bagian yang bergerak.
4. Ketika menyentuh atau mengarahkan mata pisau, pakailah sarung tangan. Mata pisau dapat melukai tangan kosong dengan parah.

## Keselamatan tempat kerja

**⚠️ PERINGATAN:** Jauhkan alat pemotong pagar dari saluran listrik dan kabel alat komunikasi. Menyentuh atau mendekati saluran bertegangan tinggi menggunakan pemotong pagar dapat menyebabkan kematian atau cedera berat. Perhatikan saluran listrik dan pagar listrik di sekitar area kerja sebelum memulai operasi.

**⚠️ PERINGATAN:** Menggunakan produk ini dapat menghasilkan debu yang mengandung bahan kimia yang dapat menyebabkan gangguan saluran pernapasan atau penyakit lain. Beberapa contoh dari bahan kimia ini adalah senyawa yang ditemukan di dalam pestisida, insektisida, pupuk, dan herbisida. Risiko yang Anda alami dari paparan tersebut bervariasi, tergantung seberapa sering Anda melakukan jenis pekerjaan ini. Untuk mengurangi paparan dari bahan kimia tersebut: bekerja di area yang berventilasi baik dan bekerja menggunakan peralatan keselamatan yang dianjurkan, seperti masker debu yang khusus dirancang untuk menyaring partikel mikroskopis.

1. Gunakan alat pemotong pagar dalam jarak penglihatan yang bagus dan pada siang hari. Jangan gunakan alat pemotong pagar dalam kegelapan atau kabut.
2. Nyalakan dan operasikan mesin di luar ruangan dalam area berventilasi baik. Penggunaan dalam ruang tertutup atau ruang berventilasi buruk dapat mengakibatkan kematian dikarenakan kekurangan napas atau keracunan karbon monoksida.
3. Saat pengoperasian, jangan berdiri di atas permukaan yang tidak stabil, permukaan yang licin, atau lereng yang curam. Saat musim dingin, hati-hati dengan es dan salju dan selalu pastikan pijakan terjamin.
4. Saat pengoperasian, jauhkan orang lain atau binatang paling tidak berjarak 15 m dari alat pemotong pagar. Matikan mesin saat seseorang mendekat.
5. Sebelum pengoperasian, periksa area kerja untuk pagar kawat, batu, atau objek keras lainnya. Itu semua dapat merusak mata pisau.

### Memulai pengoperasian

1. Sebelum memasang atau menyatel peralatan, matikan mesin dan lepaskan tutup busi atau kartrid baterai.
2. Sebelum memasang mata pisau atau mengarahkan sudut potong, pakailah sarung tangan.
3. Sebelum menyalakan mesin, periksa peralatan untuk kerusakan, baut/mur yang longgar, atau pemasangan yang kurang tepat. Ganti jika mata pisau patah, bengkok, atau rusak. Periksa semua tuas kontrol dan tombol untuk memudahkan pekerjaan. Bersihkan dan keringkan gagang.
4. Jangan pernah mencoba menyalakan mesin jika peralatan rusak atau belum terpasang sempurna. Jika tidak cedera berat mungkin terjadi.
5. Atur pundak dan pegangan tangan agar pas dengan ukuran badan pengguna.

### Penggunaan

1. Bila keadaan darurat, segera matikan mesin.
2. Jika Anda merasakan hal yang tidak biasa (misalnya suara, getaran) saat digunakan, matikan mesin. Jangan gunakan alat pemotong pagar sampai penyebab diketahui dan diperbaiki.
3. Mata pisau tetap bergerak sesaat setelah picu trotel dilepas atau mesin dimatikan. Jangan terburu-buru menyentuh mata pisau.
4. Dengan mesin yang menyala namun tidak bergerak, pasang harness bahu.
5. Saat digunakan, gunakan harness bahu. Tahan pemotong pagar di sisi kanan Anda.

#### ► Gbr.2

6. Pegang bagian depan gagang dengan tangan kiri dan pegangan belakang dengan tangan kanan, entah Anda kidal atau tidak. Belitkan jari-jari tangan Anda pada pegangan.
7. Jangan pernah mencoba menggunakan peralatan dengan satu tangan. Kehilangan kendali dapat mengakibatkan cedera yang berat. Untuk mengurangi risiko terpotong, jauhkan tangan dan kaki Anda dari mata pisau.
8. Jangan meraih terlalu jauh. Jagalah pijakan dan keseimbangan sepanjang waktu. Perhatikan penghalang yang terpendam seperti tunggul, akar pohon, dan parit untuk menghindari tersandung. Bersihkan ranting-ranting yang jatuh dan objek lainnya.
9. Jangan pernah bekerja di atas tangga atau pohon untuk menghindari kehilangan kendali.
10. Jangan memegang mesin di atas tinggi pundak.
11. Saat digunakan, jangan pernah memukulkan mata pisau ke

penghalang yang keras seperti batu dan baja. Hati-hati terutama ketika memotong pagar yang bersebelahan atau melawan pagar kawat. Ketika bekerja dekat dengan tanah, pastikan tidak ada pasir, kerikil, atau batu yang tersangkut di antara mata pisau.

12. Apabila mata pisau mengalami benturan dengan batu atau benda keras lainnya, segera matikan mesin dan periksa mata pisau untuk kerusakan setelah melepas busi atau kartrid baterai. Ganti mata pisau jika rusak.
13. Apabila ranting tebal tersangkut di mata pisau, segera matikan mesin, letakkan pemotong pagar lalu lepaskan halangan setelah melepas busi atau kartrid baterai. Periksa mata pisau untuk kerusakan sebelum menggunakan peralatan lagi.
14. Jangan pernah menyentuh atau mendekati mata pisau ketika bergerak. Mata pisau dapat dengan mudah memotong jari Anda. Saat memasang atau menyatel sudut mata pisau, matikan mesin dan lepaskan tutup busi atau kartrid baterai.
15. Menjalankan mesin dengan mata pisau yang terhalang meningkatkan beban dan akan merusak mesin dan/atau kopling.
16. Periksa mata pisau secara teratur saat pemakaian untuk retak atau tepi yang tumpul. Sebelum pemeriksaan, matikan motor dan tunggu hingga pisau berhenti sepenuhnya. Segera ganti mata pisau yang rusak atau tumpul, meskipun hanya retakan kecil.
17. Apabila peralatan terbentur keras atau terjatuh, periksa keadaannya sebelum melanjutkan bekerja. Periksa sistem bahan bakar untuk kebocoran bahan bakar, kontrol dan alat pengamanan untuk kerusakan. Jika ada kerusakan atau keraguan, tanyakan pusat layanan resmi kami untuk pemeriksaan dan perbaikan.
18. Jangan sentuh kotak roda gigi. Kotak roda gigi menjadi panas sewaktu digunakan.
19. Beristirahatlah untuk mencegah hilangnya kontrol dikarenakan kelelahan. Kami menyarankan untuk beristirahat 10 sampai 20 menit tiap jam.
20. Ketika Anda meninggalkan peralatan, meskipun untuk waktu yang sebentar, selalu matikan mesin atau lepaskan kartrid baterai. Peralatan tanpa pengawasan dengan mesin yang hidup dapat digunakan oleh orang yang tidak berhak dan menyebabkan kecelakaan serius.
21. Sebelum memotong, tarik tuas trotel penuh untuk mencapai kecepatan maksimum.
22. Ikuti instruksi manual dari unit daya untuk penggunaan yang tepat dari tuas kontrol dan sakelar.
23. Selama atau setelah operasi, jangan meletakkan peralatan panas ke rumput kering atau bahan yang mudah terbakar.

### Pemindahan

1. Sebelum memindahkan peralatan, matikan mesin dan lepaskan tutup busi atau kartrid baterai. Selalu pasang penutup pisau selama dipindahkan.
2. Ketika membawa peralatan, bawalah dengan posisi horizontal dengan memegang porosnya. Jauhkan knalpot panas dari badan Anda.
3. Ketika memindahkan peralatan dengan kendaraan, pasang dengan aman untuk menghindari terbalik. Jika tidak dapat terjadi bahan bakar tumpah dan kerusakan pada peralatan dan muatan lainnya.

### Pemeliharaan

1. Sebelum melakukan pemeliharaan atau memperbaiki atau membersihkan peralatan, matikan mesin dan lepaskan tutup busi atau kartrid baterai. Tunggu hingga mesin dingin.
2. Untuk mengurangi risiko kebakaran, jangan pernah perbaiki peralatan di sekitar api.
3. Selalu kenakan sarung tangan saat menangani pisau.
4. Selalu bersihkan debu dan lumpur dari peralatan. Jangan sekali-kali menggunakan bensin, tiner, alkohol, atau bahan sejenisnya untuk membersihkan. Perubahan warna, perubahan bentuk, atau keretakan komponen plastik dapat terjadi.
5. Setelah setiap penggunaan, kencangkan semua baut dan mur, kecuali baut penyetelan karburator.
6. Jaga alat pemotong tetap tajam. Jika pisau pemotong telah menjadi tumpul dan kinerja pemotongan buruk, mintalah pusat layanan resmi kami untuk mempertajam pisau.
7. Jangan pernah memperbaiki pisau bengkok atau rusak dengan meluruskan atau mengelasnya. Hal itu dapat menyebabkan bagian pisau copot dan mengakibatkan cedera serius. Hubungi pusat layanan resmi kami untuk mengganti dengan pisau asli Makita.
8. Jangan mencoba melakukan perawatan atau perbaikan apa pun yang tidak dijelaskan dalam buku ini atau instruksi manual dari unit daya. Mintalah kepada pusat layanan resmi untuk pekerjaan ini.

- Selalu gunakan suku cadang dan aksesori asli Makita. Menggunakan bagian atau aksesori yang disediakan oleh pihak ketiga dapat mengakibatkan kerusakan peralatan, kerusakan barang, dan/atau cedera serius.
- Mintalah bengkel resmi kami untuk memeriksa dan merawat pemotong pagar pada waktu yang teratur.

### Penyimpanan

- Sebelum menyimpan peralatan, lakukan pembersihan dan pemeliharaan penuh. Pasang penutup pisau.
- Simpan peralatan di tempat yang kering dan tinggi atau tempat terkunci yang jauh dari jangkauan anak kecil.
- Jangan sandarkan peralatan pada sesuatu, seperti tembok. Jika tidak pemotong pagar mungkin jatuh dan menyebabkan cedera serius.

### P3K

- Selalu sediakan kotak P3K di dekat Anda. Segera ganti setiap item yang diambil dari kotak P3K.
- Ketika meminta bantuan, berikan informasi berikut:**
  - Tempat terjadinya kecelakaan
  - Apa yang terjadi
  - Jumlah orang yang terluka
  - Sifat kecelakaan
  - Nama Anda

## DESKRIPSI BAGIAN-BAGIAN MESIN

► Gbr.3

1	Mata pisau	2	Kotak roda gigi	3	Tutup	4	Penutup mata pisau
---	------------	---	-----------------	---	-------	---	--------------------

## PERAKITAN

**PERINGATAN:** Sebelum memasang atau menyetel peralatan, matikan mesin dan lepaskan tutup busi atau kartrid baterai. Jika tidak pisau atau bagian lain mungkin bergerak dan menyebabkan cedera serius.

**PERINGATAN:** Sebelum memegang atau menggunakan pisau, gunakan sarung tangan dan pasang penutup pisau. Jika tidak mata pisau dapat memotong tangan kosong sekaligus.

**PERINGATAN:** Ketika memasang dan menyetel peralatan, selalu letakkan di bawah. Memasang dan menyetel peralatan pada posisi tegak lurus dapat mengakibatkan cedera berat.

**PERINGATAN:** Ikuti peringatan dan tindakan pencegahan pada bagian "Tindakan pencegahan untuk keamanan" dan buku panduan unit daya.

### Memasang alat pelengkap ke unit daya

Untuk memasang alat pelengkap ke unit daya, ikuti langkah berikut.

- Pastikan tuas pengunci tidak dikencangkan.
- Sejajarkan pasak dengan tanda panah.
- Masukkan poros pada poros unit daya sampai garis posisi dan tombol pelepas menyembul.
- Kencangkan tuas pengunci dengan kuat seperti petunjuk.

Untuk melepas alat pelengkap, kendurkan tuas pengunci dengan memutar tuas pengunci pada arah sebaliknya, lalu tekan tombol pengunci dan cabut porosnya.

- **Gbr.4:** 1. Tuas kunci 2. Pasak 3. Tanda panah 4. Garis posisi 5. Tombol pelepas

**PEMBERITAHUAN:** Jangan kencangkan tuas pengunci tanpa poros alat pelengkap yang terpasang. Jika tuas pengunci akan mengencang pada lubang poros terlalu kuat dan merusaknya.

## PENGUNAAN

**PERINGATAN:** Jika pisau tidak bergerak, sesuaikan kecepatan mesin saat melambat. Jika tidak Anda tidak dapat menghentikan pisau dengan trotel mati dan hal itu dapat menyebabkan cedera serius.

**PERINGATAN:** Ikuti peringatan dan tindakan pencegahan pada bagian "INSTRUKSI KEAMANAN PENTING" dan instruksi manual unit daya.

### Pemotongan horizontal

Ketika memangkas pagar secara horizontal, ikuti langkah-langkah di bawah ini.

- Tarik tuas trotel sepenuhnya.
- Gunakan pisau ke pagar dengan sudut sebesar 15° sampai 30°.
- Potong pagar dengan gerakan mengayun ke kanan dan ke kiri. ► **Gbr.5**

### Pemotongan vertikal

Ketika memangkas pagar secara vertikal, ikuti langkah-langkah di bawah ini.

- Tarik tuas trotel sepenuhnya.
- Gunakan pisau sejajar dengan pagar.
- Potong pagar dari bawah ke atas dengan gerakan mengayun. ► **Gbr.6**

## PERAWATAN

**PERINGATAN:** Sebelum memeriksa atau merawat peralatan, matikan mesin dan lepaskan tutup busi atau kartrid baterai. Jika tidak pisau atau bagian lain mungkin bergerak dan menyebabkan cedera serius.

**PERINGATAN:** Sebelum memegang atau menggunakan pisau, gunakan sarung tangan dan pasang penutup pisau. Saat memasang atau menyetel, jari Anda mungkin menyentuh dengan pisau dan hal itu mungkin menyebabkan cedera serius.

**PERINGATAN:** Ketika memeriksa atau menyetel peralatan, selalu letakkan pemotong rumput. Memasang dan menyetel peralatan pada posisi tegak lurus dapat mengakibatkan cedera berat.

**PERINGATAN:** Ikuti peringatan dan tindakan pencegahan pada bagian "INSTRUKSI KEAMANAN PENTING" dan instruksi manual unit daya.

### Periksa mata pisau

Periksa kerusakan, keretakan, dan sisi yang tumpul pada pisau setiap hari. Mintalah pusat layanan resmi kami untuk mengganti pisau rusak atau mempertajam pisau tumpul.

### Menyetel bukaan mata pisau

Bagian atas/bawah pisau akan aus secara bertahap setelah operasi. Jika Anda tidak bisa mendapatkan potongan rapi meskipun pisau cukup tajam, sesuaikan jarak celah sebagai berikut.

Kekencangan baut kepala segi enam menentukan jarak celah pisau. Mur menahan baut kepala segi enam dengan kekencangan tertentu. Jarak yang terlalu longgar menyebabkan potongan yang tumpul, namun jarak yang terlalu kencang menyebabkan panas yang tidak wajar dan akan membuat pisau cepat aus.

- Kendurkan mur dengan kunci inggris.
- Kencangkan baut kepala segi enam perlahan hingga berhenti. Lalu putar setiap sekrup kembali seperempat hingga setengah putaran untuk mendapatkan jarak yang sesuai.
- Pegang baut kepala segi enam dan kencangkan mur.
- Oleskan minyak ringan di permukaan gesekan pisau.
- Nyalakan mesin dan operasikan trotel nyala dan mati beberapa saat.
- Hitung waktu yang diperlukan untuk pisau untuk berhenti setelah melepas trotel. Jika memerlukan dua detik atau lebih untuk berhenti, matikan mesin dan ulangi langkah 1 hingga 6.

7. Matikan mesin dan sentuh permukaan pisau. Apabila tidak terlalu panas untuk disentuh, Anda telah melakukan penyetelan yang benar. Jika terlalu panas untuk disentuh, putar baut segi enam mundur sedikit dan ulangi langkah 5 hingga 7.

► **Gbr.7:** 1. Mur 2. Baut kepala segi-enam 3. Pelat 4. Pelindung mata pisau 5. Mata pisau atas 6. Mata pisau bawah

### Melumasi bagian yang bergerak

**PEMBERITAHUAN:** Ikuti instruksi dari frekuensi dan jumlah gemuk yang disediakan. Jika tidak, kekurangan pelumas dapat merusak bagian yang bergerak.

► **Gbr.8**

### Kotak roda gigi:

Oleskan gemuk setiap 25 jam kerja.

1. Lubang gemuk terdapat di bawah baut. Lepaskan baut untuk dilumasi.
2. Tambahkan gemuk kira-kira 5 g (7 cc) pada lubang gemuk.
3. Kembalikan baut setelah dilumasi.

► **Gbr.9:** 1. Lubang gemuk

**CATATAN:** Setelah mengisi gemuk dengan jumlah yang benar, gemuk akan keluar sedikit dari bagian asar pisau saat digunakan pertama kali.

### As roda:

Oleskan gemuk setiap 25 jam kerja.

### Pemeriksaan menyeluruh

- Kencangkan baut, mur, dan sekrup yang kendur.
- Periksa komponen dan mata pisau yang rusak. Tanyakan pada pusat layanan resmi kami untuk mengganti jika diperlukan.

### Penyimpanan

**PERINGATAN:** Ikuti peringatan dan tindakan pencegahan pada bagian "INSTRUKSI KEAMANAN PENTING" dan instruksi manual unit daya.

Ketika menyimpan alat pelengkap pemotong rumput dari unit daya yang terpisah, letakkan penutup di atas poros akhir.

► **Gbr.10**

## JARAK WAKTU PEMELIHARAAN

		Sebelum penggunaan	Harian (10 jam)	25 jam	Apabila dibutuhkan
Seluruh unit	Periksa secara visual bagian yang rusak	○	-	-	-
Semua sekrup dan mur terpasang	Kencangkan	○	-	-	-
Mata pisau	Periksa kerusakan, keretakan, dan sisi yang tumpul	-	○	-	-
	Setel jarak	-	-	-	○
Kotak roda gigi	Persediaan gemuk	-	-	○	-
As roda	Persediaan gemuk	-	-	○	-
Unit daya	Mengacu pada instruksi manual dan unit daya				

## PEMECAHAN MASALAH

Keadaan Tidak Normal	Kemungkinan penyebab (kerusakan fungsi)	Perbaikan
Mesin tidak menyala.	Mengacu pada instruksi manual dari unit daya.	Mengacu pada instruksi manual dari unit daya.
Mesin mati sesaat setelah dinyalakan.	Mengacu pada instruksi manual dari unit daya.	Mengacu pada instruksi manual dari unit daya.
Kecepatan maksimal terbatas.	Mengacu pada instruksi manual dari unit daya.	Mengacu pada instruksi manual dari unit daya.
Mata pisau tidak bergerak. ⇒ <b>Hentikan mesin segera!</b>	Sudut pemotong yang tidak sesuai.	Pastikan pengunci sudut terpasang dengan benar.
Mata pisau tidak bergerak. ⇒ <b>Hentikan mesin segera!</b>	Ranting tersangkut pada pisau.	Singkirkan objek asing.
Mata pisau tidak bergerak. ⇒ <b>Hentikan mesin segera!</b>	Sistem penggerak tidak bekerja semestinya.	Tanyakan pada pusat layanan resmi kami untuk memeriksa dan memperbaikinya.
Unit bergetar tidak wajar. ⇒ <b>Hentikan mesin segera!</b>	Sistem penggerak tidak bekerja semestinya.	Tanyakan pada pusat layanan resmi kami untuk memeriksa dan memperbaikinya.
Mata pisau tidak berhenti. ⇒ <b>Hentikan mesin segera!</b>	Daya unit tidak bekerja semestinya.	Mengacu pada instruksi manual dari unit daya.

## AKSESORI PILIHAN

**PERHATIAN:** Dianjurkan untuk menggunakan aksesoris atau perangkat tambahan ini dengan mesin Makita Anda yang ditentukan dalam petunjuk ini. Penggunaan aksesoris atau perangkat tambahan lain bisa menyebabkan risiko cedera pada manusia. Hanya gunakan aksesoris atau perangkat tambahan sesuai dengan peruntukannya.

Jika Anda memerlukan bantuan lebih rinci berkenaan dengan aksesoris ini, tanyakan pada Pusat Layanan Makita terdekat.

- Set mata pisau

**CATATAN:** Beberapa item dalam daftar tersebut mungkin sudah termasuk dalam paket mesin sebagai aksesoris standar. Hal tersebut dapat berbeda dari satu negara ke negara lainnya.



## THÔNG SỐ KỸ THUẬT

Kiểu máy:	EN410MP
Kích thước (Dài x Rộng x Cao)	1.104 x 85 x 61 (43-1/2" x 3-3/8" x 2-3/8")
Khối lượng tịnh	2,0 kg (4,5 lbs)
Chiều dài cắt hiệu quả	490 mm (19-1/4")
Tỷ số truyền động	1 : 4,7

- Do chương trình nghiên cứu và phát triển liên tục của chúng tôi nên các thông số kỹ thuật trong đây có thể thay đổi mà không cần thông báo trước.
- Các thông số kỹ thuật có thể thay đổi tùy theo từng quốc gia.

### Thiết bị máy được chấp nhận

**⚠ CẢNH BÁO:** Không bao giờ sử dụng phụ tùng với thiết bị máy không được chấp nhận. Kiểu kết hợp không được chấp nhận có thể gây ra thương tích nghiêm trọng.

Phụ tùng này được chấp nhận chỉ để sử dụng với thiết bị máy (các thiết bị máy) sau đây:

- (Đầu máy đa năng)  
EX2650LH
- (Đầu máy đa năng chạy pin)  
BUX360, BUX361, BUX362, UX360D, UX361D, UX362D, DUX60, XUX01

### Phụ tùng được chấp nhận phù hợp

**⚠ CẢNH BÁO:** Không bao giờ sử dụng phụ tùng không được chấp nhận phù hợp. Kiểu kết hợp không hợp lệ có thể gây ra thương tích nghiêm trọng.

Phụ tùng này chỉ được chấp nhận sử dụng với (các) phụ tùng sau đây:

- (Đồ gá đoạn trục nối dài)  
LE400MP

### Ký hiệu

Phần dưới đây cho biết các ký hiệu được dùng cho thiết bị. Đảm bảo rằng bạn hiểu rõ ý nghĩa của các ký hiệu này trước khi sử dụng.

	Đọc và làm theo tài liệu hướng dẫn.
	Hãy đặc biệt cẩn thận và chú ý!
	Bị nghiêm cấm!
	Hãy cẩn thận với các đường dây điện. Nguy cơ điện giật.
	Hãy cẩn thận với vật nhọn.
	Mang găng tay bảo hộ.
	Đội mũ bảo hộ, thiết bị bảo vệ tai và mắt.
	Mang ủng cứng có đế chống trượt.
	Giữ dụng cụ máy tránh xa những người xung quanh và động vật ít nhất 15 m.
	Giữ cho khu vực vận hành không có người và thú cưng bất kỳ.
	Sơ cấp cứu

### Mục đích sử dụng

Phụ tùng này được thiết kế chỉ dành cho mục đích cắt các bụi cây và hàng rào bằng thiết bị máy được chấp nhận. Không bao giờ sử dụng phụ tùng này cho mục đích khác. Sử dụng phụ tùng sai mục đích có thể gây ra thương tích nghiêm trọng.

## CẢNH BÁO AN TOÀN

### CÁC HƯỚNG DẪN AN TOÀN QUAN TRỌNG

**⚠ CẢNH BÁO:** Đọc tất cả các cảnh báo an toàn và tất cả các hướng dẫn trong quyển sách này cũng như trong tài liệu hướng dẫn về thiết bị máy. Việc không tuân theo các cảnh báo và hướng dẫn có thể dẫn đến điện giật, hỏa hoạn và/hoặc thương tích nghiêm trọng.

**⚠ CẢNH BÁO:** Lưu giữ tất cả cảnh báo và hướng dẫn để tham khảo sau này.

Thuật ngữ "máy tỉa hàng rào" và "thiết bị" trong các cảnh báo và các biện pháp phòng ngừa là nói đến kiểu kết hợp phụ tùng và thiết bị máy.

Thuật ngữ "mô-tơ" trong các cảnh báo và các biện pháp phòng ngừa là nói đến động cơ hoặc mô-tơ điện của thiết bị máy.

### Các biện pháp phòng ngừa chung

- Trước khi khởi động máy tỉa hàng rào, hãy đọc kỹ quyển sách này và tài liệu hướng dẫn về thiết bị máy để làm quen với việc điều khiển máy tỉa hàng rào.
- Không đưa cho mượn phụ tùng đối với người không đủ kinh nghiệm hoặc kiến thức liên quan điều khiển máy tỉa hàng rào.
- Khi cho mượn phụ tùng, luôn luôn kèm theo tài liệu hướng dẫn này.
- Không cho phép trẻ em hoặc thanh thiếu niên dưới 18 tuổi sử dụng máy tỉa hàng rào này. Giữ chúng tránh xa máy tỉa hàng rào.
- Cần hết sức chú ý và cẩn thận khi điều khiển máy tỉa hàng rào này.
- Không bao giờ sử dụng máy tỉa hàng rào sau khi sử dụng rượu hoặc ma túy, hoặc nếu cảm thấy đang mệt hoặc bệnh.
- Không được cố cải tạo phụ tùng.
- Phải tuân thủ các quy định về điều khiển máy tỉa hàng rào ở đất nước của bạn.

### Thiết bị bảo hộ cá nhân

#### ► Hình 1

- Đội mũ bảo hộ, kính an toàn và găng tay bảo hộ để bảo vệ bản thân khỏi các mảnh vỡ bay ra hoặc các vật rơi xuống.
- Mang thiết bị bảo vệ tai như đồ chụp tai để tránh mất thính lực.
- Mặc quần áo và mang giày thích hợp để vận hành an toàn, chẳng hạn như quần áo bảo hộ liền thân và ủng cứng có đế chống trượt. Không mặc quần áo rộng hay đeo đồ trang sức. Quần áo rộng, đồ trang sức hay tóc dài có thể mắc vào các bộ phận chuyển động.
- Khi chạm vào lưới cửa hoặc điều chỉnh góc lưới cắt, phải mang găng tay bảo hộ. Để tay trần có thể bị lưới cửa cắt rất nghiêm trọng.

## An toàn tại nơi làm việc

**⚠CẢNH BÁO:** Giữ máy tia hàng rào cách xa các đường dây điện và cáp truyền thông. Việc chạm vào hoặc đến gần các đường dây cao áp với máy tia hàng rào có thể gây tử vong hoặc thương tích nghiêm trọng. Quan sát các mạng lưới điện và hàng rào điện xung quanh khu vực làm việc trước khi bắt đầu vận hành.

**⚠CẢNH BÁO:** Sử dụng sản phẩm này có thể tạo ra bụi có chứa hóa chất gây ra bệnh về đường hô hấp hoặc các bệnh khác. Một số ví dụ về các hóa chất này là các hợp chất được tìm thấy trong thuốc trừ sâu, thuốc diệt côn trùng, phân bón và thuốc diệt cỏ. Mức độ rủi ro từ việc tiếp xúc với các hóa chất này có thể khác nhau, phụ thuộc vào tần suất bạn làm loại công việc này. Để giảm tiếp xúc với những hóa chất này: làm việc ở nơi thoáng gió và làm việc với thiết bị an toàn đã được phê chuẩn, như mặt nạ chống bụi được thiết kế đặc biệt để lọc các hạt cực nhỏ.

- Chỉ vận hành máy tia hàng rào trong điều kiện ánh sáng tốt và khả năng nhìn rõ. Không vận hành máy tia hàng rào trong điều kiện thiếu ánh sáng hoặc có sương mù.
- Chỉ khởi động và vận hành động cơ ngoài trời ở nơi thoáng gió. Vận hành ở nơi thiếu gió hoặc kém thông thoáng có thể gây tử vong do nghẹt thở hoặc ngộ độc khí cacbon monoxít.
- Trong khi vận hành, không bao giờ đứng trên bề mặt trơn trượt hoặc không bằng phẳng hoặc mặt nghiêng đứng. Vào mùa đông, hãy cẩn thận nước đá và tuyết và phải luôn đảm bảo chân được an toàn.
- Đề máy tia hàng rào tránh xa những người xung quanh và động vật ít nhất 15 m trong khi vận hành. Ngừng mô-tơ ngay khi có ai đó lại gần.
- Trước khi vận hành, kiểm tra hàng rào kim loại, đá, hoặc những vật cứng khác trong khu vực làm việc. Chúng có thể làm hỏng lưới của.

### Đưa vào vận hành

- Trước khi lắp ráp hoặc điều chỉnh thiết bị, hãy tắt mô-tơ và tháo nắp bugi hoặc hộp pin.
- Trước khi lắp ráp lưới của hoặc điều chỉnh góc cắt, hãy mang găng tay bảo hộ.
- Trước khi khởi động mô-tơ, kiểm tra xem thiết bị có hư hỏng, đai ốc/vít có lỏng lẻo hoặc lắp ráp không đúng cách. Thay thế các lưới bị sứt mẻ, uốn cong, hoặc bị hư hỏng. Kiểm tra xem tất cả các cần điều khiển có hoạt động trơn tru. Lau sạch và giữ khô tay cầm.
- Không được cố khởi động mô-tơ khi thiết bị đang hư hỏng hoặc chưa được lắp ráp đầy đủ. Nếu không có thể dẫn đến thương tích nghiêm trọng.
- Điều chỉnh dây nịt vai và tay cầm cho phù hợp với kích thước cơ thể người vận hành.

### Vận hành

- Trong trường hợp khẩn cấp, hãy tắt mô-tơ ngay lập tức.
- Nếu bạn cảm thấy bất kỳ tình trạng bất thường nào (ví dụ như tiếng ồn, rung động) trong quá trình vận hành, hãy tắt mô-tơ. Không sử dụng máy tia hàng rào cho đến khi xác định và giải quyết được nguyên nhân.
- Lưới cắt sẽ tiếp tục di chuyển một lúc sau khi nhà cần khởi động tiết lưu hoặc tắt mô-tơ. Đừng vội tiếp xúc với lưới cắt.
- Chỉ khi động cơ đang chạy ở chế độ chờ, mới được gắn dây nịt vai vào.
- Sử dụng dây nịt vai trong khi vận hành. Giữ chặt máy tia hàng rào bên hông phải của bạn.

#### ► Hình 2

- Hãy cầm tay cầm trước bằng tay trái và tay cầm sau bằng tay phải, dù cho bạn là người thuận tay trái hay tay phải. Hãy xô các ngón tay và ngón cái của bạn xung quanh tay cầm.
- Không được cố vận hành thiết bị bằng một tay. Luôn kiểm soát có thể dẫn đến thương tích nguy hiểm hoặc chết người. Để giảm nguy cơ thương tích khi cắt, hãy để tay và chân của bạn tránh xa lưới cắt.
- Không với quá cao. Luôn giữ thẳng bằng tốt và có chỗ để chân phù hợp. Cẩn thận với các chướng ngại vật không nhìn thấy được như gốc cây, rễ cây và các rãnh để tránh vấp ngã. Dọn sạch các nhánh cây rơi xuống và các vật khác.
- Không được làm việc trên thang hoặc cây để tránh mất kiểm soát.
- Không cầm máy vượt quá chiều cao của vai.
- Trong khi vận hành, không được để lưới cắt đụng phải các chướng ngại vật cứng như đá và kim loại. Hãy đặc biệt chú ý khi cắt các hàng rào bên cạnh hoặc đối diện các hàng rào kim loại. Khi làm việc gần với mặt đất, hãy đảm bảo rằng không có cát,

sạn, hoặc đá ở giữa các lưới cắt.

- Nếu lưới cắt đụng phải đá hoặc các vật rắn khác, hãy dừng mô-tơ ngay lập tức và kiểm tra xem lưới cắt có bị hư hỏng sau khi tháo bugi hoặc hộp pin hay không. Thay thế lưới cắt nếu bị hư hỏng.
- Nếu các nhánh cây dày bị kẹt trong lưới cắt, tắt mô-tơ ngay lập tức, hạ máy tia hàng rào xuống rồi gỡ chướng ngại vật ra sau khi tháo bugi hoặc hộp pin. Kiểm tra các lưới cắt xem có bị hư hỏng gì không trước khi sử dụng lại thiết bị.
- Không được chạm hoặc lại gần các lưới cắt trong khi chúng đang di chuyển. Lưới cắt có thể dễ dàng cắt trúng ngón tay của bạn. Khi xử lý lưới cắt hoặc điều chỉnh góc cắt, dừng mô-tơ và tháo nắp bugi hoặc hộp pin.
- Gia tốc mô-tơ khi các lưới cắt đã bị khóa sẽ làm tăng tải và làm hỏng mô-tơ và/hoặc bộ ly hợp.
- Thường xuyên kiểm tra các lưới cắt trong khi vận hành xem có bị nứt hoặc bị cùn các mép không. Trước khi kiểm tra, tắt mô-tơ và đợi đến khi lưới cắt dừng hẳn. Thay thế các lưới hỏng hoặc bị cùn ngay lập tức, ngay cả khi chúng chỉ có vết nứt ở mặt ngoài.
- Nếu thiết bị chịu lực nặng hoặc bị ngã, hãy kiểm tra tình trạng của nó trước khi tiếp tục công việc. Kiểm tra hệ thống nhiên liệu xem có bị rò rỉ nhiên liệu và các bộ phận điều khiển và thiết bị an toàn có bị trục trặc không. Nếu có bất kỳ hư hỏng hoặc nghi ngờ nào, hãy nhờ trung tâm dịch vụ được ủy quyền kiểm tra và sửa chữa.
- Không được chạm vào hộp số. Hộp số bị nóng lên trong khi vận hành.
- Hãy nghỉ ngơi để tránh mất kiểm soát do mệt mỏi gây ra. Chúng tôi khuyến nghị nên nghỉ ngơi 10 đến 20 phút sau mỗi giờ.
- Khi không sử dụng thiết bị, ngay cả trong một thời gian rất ngắn, hãy luôn tắt động cơ và tháo nắp hộp pin ra. Thiết bị không được giám sát khi động cơ đang chạy có thể bị người không được ủy quyền sử dụng và gây ra tai nạn nghiêm trọng.
- Trước khi cắt, kéo cần gạt ga hết cỡ để đạt được tốc độ tối đa.
- Làm theo tài liệu hướng dẫn về thiết bị máy để sử dụng cần và công tắc điều khiển đúng cách.
- Trong hoặc sau khi vận hành, không để thiết bị đang nóng lên có khô hoặc vật liệu dễ cháy.

### Vận chuyển

- Trước khi vận chuyển thiết bị, hãy tắt mô-tơ và tháo nắp bugi hoặc hộp pin. Luôn gắn chặt nắp lưới cắt trong khi vận chuyển.
- Khi mang thiết bị, hãy mang theo chiều ngang bằng cách cầm lấy trục. Để ống pô đang nóng tránh xa cơ thể của bạn.
- Khi vận chuyển thiết bị bằng xe máy, hãy cố định thật chặt để tránh lật đổ. Nếu không có thể dẫn đến đổ nhiên liệu và gây hư hỏng thiết bị và các hành lý khác.

### Bảo dưỡng

- Trước khi thực hiện công việc bảo dưỡng hoặc sửa chữa hay vệ sinh thiết bị, luôn tắt mô-tơ và tháo nắp bugi hoặc hộp pin ra. Đợi cho đến khi mô-tơ nguội hẳn.
- Để giảm nguy cơ cháy nổ, không bao giờ sử dụng thiết bị trong vùng lân cận nguồn lửa.
- Luôn mang găng tay bảo hộ khi xử lý lưới cắt.
- Luôn làm sạch bụi bẩn trên thiết bị. Không được phép dùng xăng, ét xăng, dung môi, cồn hoặc hóa chất tương tự cho mục đích này. Có thể xảy ra hiện tượng mất màu, biến dạng hoặc nứt vỡ của các thành phần nhựa.
- Sau khi sử dụng, vận chặt tất cả đai ốc và ốc vít, trừ các vít điều chỉnh bộ chế hòa khí.
- Giữ cho dụng cụ luôn sắc bén. Nếu lưới cắt đã trở nên cùn và hiệu suất cắt kém, hãy nhờ trung tâm dịch vụ được ủy quyền làm sắc bên lại lưới cắt.
- Không bao giờ sửa các lưới cắt bị hỏng hoặc bị cong bằng cách nắn thẳng hoặc hàn lại. Nó có thể làm cho các bộ phận của lưới cắt rơi ra và gây ra thương tích nghiêm trọng. Hãy liên hệ với trung tâm dịch vụ được ủy quyền của Makita để thay thế chúng.
- Không được cố bảo dưỡng hay sửa chữa không được mô tả quyền sách này và tài liệu hướng dẫn về thiết bị máy. Hãy nhờ trung tâm dịch vụ được ủy quyền của chúng tôi cho công việc này.
- Chỉ sử dụng phụ tùng và các bộ phận thay thế Makita chính hãng. Sử dụng phụ tùng và các bộ phận do bên thứ ba cung cấp có thể làm hư hỏng thiết bị, thiệt hại tài sản và/hoặc thương tích nghiêm trọng.
- Hãy yêu cầu trung tâm dịch vụ được ủy quyền kiểm tra và bảo dưỡng máy tia hàng rào định kỳ.

### Cất giữ

- Trước khi cất giữ thiết bị, hãy thực hiện vệ sinh và bảo dưỡng toàn bộ. Cố định nắp lưới cắt.
- Cất giữ thiết bị ở nơi khô thoáng, cao ráo hoặc nơi có khóa xa

tầm với của trẻ em.

- Đừng kê thiết bị tỳ vào một cái gì đó như bức tường. Nếu không máy tia hàng rào có thể rơi ra và gây thương tích cá nhân.

## Sơ cấp cứu

- Luôn có hộp sơ cấp cứu ở bên mình. Thay thế bất kỳ bộ phận nào lấy từ hộp sơ cấp cứu.
- Khi yêu cầu giúp đỡ, cung cấp các thông tin sau:**
  - Nơi xảy ra tai nạn
  - Chuyện gì xảy ra
  - Số người bị thương
  - Tính chất của thương tích
  - Tên của bạn

## MÔ TẢ CÁC BỘ PHẬN

► Hình 3

1	Các lưới	2	Hộp số	3	Nắp	4	Nắp lưới cắt
---	----------	---	--------	---	-----	---	--------------

## LẮP RÁP

**⚠ CẢNH BÁO:** Trước khi lắp ráp hoặc điều chỉnh thiết bị, hãy tắt mô-tơ và tháo nắp bugi hoặc hộp pin. Nếu không các lưới cắt hoặc các bộ phận khác có thể di chuyển và gây ra thương tích nghiêm trọng.

**⚠ CẢNH BÁO:** Trước khi xử lý hoặc làm việc gần lưới cắt, mang găng tay bảo hộ và dùng nắp bọc lưới cắt lại. Nếu không để tay trần có thể bị lưới cưa cắt rất nghiêm trọng.

**⚠ CẢNH BÁO:** Khi lắp ráp hoặc điều chỉnh thiết bị, luôn đặt nó nằm xuống. Lắp ráp hoặc điều chỉnh thiết bị ở vị trí thẳng đứng có thể gây ra thương tích nghiêm trọng.

**⚠ CẢNH BÁO:** Thực hiện theo các cảnh báo và các biện pháp phòng ngừa trong chương “Các biện pháp phòng ngừa an toàn” và tài liệu hướng dẫn về thiết bị máy.

## Gắn phụ tùng vào một thiết bị máy

Để gắn phụ tùng vào một thiết bị máy, làm theo các bước dưới đây.

- Đảm bảo rằng cần khóa không bị vận chặt.
- Căn chỉnh chốt thẳng hàng với dấu mũi tên.
- Lắp trực vào trục điều khiển của thiết bị máy cho đến khi vạch định vị và nút nhả bật lên.
- Vặn chặt cần khóa lại thật chắc như sau.

Để tháo phụ tùng, nới lỏng cần khóa bằng cách xoay cần khóa theo hướng ngược lại, nhấn nút khóa và rút trực ra.

► **Hình 4:** 1. Cần khóa 2. Chốt 3. Dấu mũi tên 4. Vạch định vị 5. Nút nhả

**CHÚ Ý:** Không vặn chặt cần khóa khi không lắp trực của phụ tùng kèm theo. Nếu không, cần khóa có thể có thể bị vặn quá chặt vào cửa nạp của trục điều khiển và làm hỏng nó.

## VẬN HÀNH

**⚠ CẢNH BÁO:** Nếu các lưới cắt ở chế độ chờ, điều chỉnh tốc độ chờ của động cơ giảm xuống. Nếu không, bạn sẽ không thể ngừng lưới cắt và bàn đạp ga có thể rơi ra ngoài, gây ra thương tích nghiêm trọng.

**⚠ CẢNH BÁO:** Thực hiện theo các cảnh báo và các biện pháp phòng ngừa trong chương “CÁC BIỆN PHÁP PHÒNG NGỪA AN TOÀN QUAN TRỌNG” và tài liệu hướng dẫn về thiết bị máy.

## Cắt theo chiều ngang

Khi tia hàng rào theo chiều ngang, hãy làm theo các bước dưới đây.

- Kéo cần gạt ga hết cỡ.
- Đặt lưới cắt với hàng rào ở góc 15° đến 30°.
- Tia hàng rào với chuyển động xoay ngang từ phải qua trái.

► Hình 5

## Cắt theo chiều dọc

Khi tia hàng rào theo chiều dọc, hãy làm theo các bước dưới đây.

- Kéo cần gạt ga hết cỡ.
- Đặt lưới cắt song song với hàng rào.
- Tia hàng rào với chuyển động xoay ngang lên xuống.

► Hình 6

## BẢO TRÌ

**⚠ CẢNH BÁO:** Trước khi kiểm tra hoặc bảo dưỡng thiết bị, hãy tắt mô-tơ và tháo nắp bugi hoặc hộp pin. Nếu không các lưới cắt hoặc các bộ phận khác có thể di chuyển và gây ra thương tích nghiêm trọng.

**⚠ CẢNH BÁO:** Trước khi xử lý hoặc làm việc gần lưới cắt, mang găng tay bảo hộ và dùng nắp bọc lưới cắt lại. Trong khi lắp ráp hoặc điều chỉnh, ngón tay của bạn có thể tiếp xúc với lưới cắt và có thể gây ra thương tích nghiêm trọng.

**⚠ CẢNH BÁO:** Khi lắp ráp hoặc điều chỉnh thiết bị, luôn để máy tia hàng rào nằm xuống. Lắp ráp hoặc điều chỉnh thiết bị ở vị trí thẳng đứng có thể gây ra thương tích nghiêm trọng.

**⚠ CẢNH BÁO:** Thực hiện theo các cảnh báo và các biện pháp phòng ngừa trong chương “CÁC BIỆN PHÁP PHÒNG NGỪA AN TOÀN QUAN TRỌNG” và tài liệu hướng dẫn về thiết bị máy.

## Kiểm tra các lưới cắt

Kiểm tra các lưới cắt hàng ngày xem có bị hư hỏng, nứt hay phần mép bị cùn hay không. Hãy nhờ trung tâm dịch vụ được ủy quyền thay thế các lưới cắt hoặc mài lại các lưới cắt bị cùn.

## Điều chỉnh khoảng hở lưới cắt

Các lưới cắt trên/dưới mòn dần sau khi vận hành. Nếu bạn không thể có được vết cắt sạch mịn dù các lưới cắt đều sắc bén, hãy điều chỉnh khoảng hở như sau.

Độ khít của bu-lông lục giác sẽ quyết định khoảng hở của lưới cắt. Đai ốc kẹp bu-lông lục giác với độ khít nhất định. Khoảng hở quá lỏng sẽ làm cho vết cắt bị cùn, nhưng nếu khoảng hở quá khít cũng sẽ gây ra nhiệt không cần thiết và làm mòn lưới cắt nhanh hơn.

- Nới lỏng đai ốc bằng cờ lê.
- Vặn chặt các bu-lông lục giác từ cho đến khi dừng lại. Sau đó, siết chúng lại từ một phần tư đến một nửa vòng để có khoảng hở cần thiết.
- Giữ bu-lông lục giác và vặn chặt đai ốc.
- Tra một ít dầu lên bề mặt ma sát của lưới cắt.
- Khởi động mô-tơ và bật tắt bàn đạp ga một lúc.
- Đo thời gian cần thiết để lưới cắt dừng lại sau khi nhả bàn đạp ga. Nếu hai giây trở lên, tắt mô-tơ và lặp lại bước 1 đến 6.
- Tắt mô-tơ và chạm vào bề mặt lưới cắt. Nếu chúng quá nóng không thể chạm vào, bạn phải điều chỉnh cho đúng cách. Nếu chúng quá nóng không thể chạm vào, vặn bu-lông lục giác ngược lại một chút, rồi lặp lại bước 5 đến 7.

► **Hình 7:** 1. Đai ốc 2. Bu-lông lục giác 3. Bàn 4. Phần bảo vệ lưới cưa 5. Lưới bên trên 6. Lưới bên dưới

## Bôi trơn các bộ phận chuyển động

**CHÚ Ý:** Làm theo hướng dẫn về số lần và lượng dầu bôi trơn được chỉ định. Nếu không, bôi trơn không thích hợp có thể làm hỏng các bộ phận di chuyển.

► Hình 8

## Hộp số:

Tra dầu bôi trơn mỗi 25 giờ làm việc.

- Lỗ tra dầu đặt dưới bu-lông. Tháo bu-lông ra để tra dầu.
- Thêm khoảng 5 g (7 cc) dầu bôi trơn vào lỗ tra dầu.
- Vặn bu-lông lại sau khi bôi trơn.

► **Hình 9:** 1. Lỗ tra dầu

**LƯU Ý:** Sau khi đổ đủ lượng dầu bôi trơn, dầu bôi trơn sẽ chảy ra một chút từ đế lưới cắt trong khi vận hành lần đầu.

## Trực truyền động:

Tra dầu bôi trơn mỗi 25 giờ làm việc.

### Kiểm tra tổng quát

- Vận lỏng bu-lông, đai ốc và ốc vít.
- Kiểm tra các bộ phận và lưỡi cắt bị hỏng. Nhờ trung tâm dịch vụ được ủy quyền thay thế nếu cần thiết.

## Cắt giữ

**⚠ CẢNH BÁO:** Thực hiện theo các cảnh báo và các biện pháp phòng ngừa trong chương “CÁC BIỆN PHÁP PHÒNG NGỪA AN TOÀN QUAN TRỌNG” và tài liệu hướng dẫn về thiết bị máy.

Khi cắt giữ phụ tùng máy tia hàng rào riêng biệt khỏi thiết bị máy, hãy đặt nắp lên đầu trục.

► Hình10

## THỜI GIAN BẢO DƯỠNG

		Trước khi vận hành	Hàng ngày (10h)	25 h	Nếu cần thiết
Toàn bộ thiết bị	Kiểm tra các bộ phận bu hông bằng mắt	○	-	-	-
Vận chặt tất cả đai ốc và ốc vít	Vận chặt	○	-	-	-
Các lưỡi	Kiểm tra hư hỏng, nứt và phần mép bị cùn	-	○	-	-
	Điều chỉnh khoảng hở	-	-	-	○
Hộp số	Tra dầu bôi trơn	-	-	○	-
Trực truyền động	Tra dầu bôi trơn	-	-	○	-
Thiết bị máy	Tham khảo tài liệu hướng dẫn về thiết bị máy				

## XỬ LÝ SỰ CỐ

Tình trạng bất thường	Nguyên nhân tiềm tàng (sự cố hỏng hóc)	Biện pháp khắc phục
Mô-tơ không khởi động.	Tham khảo tài liệu hướng dẫn về thiết bị máy.	Tham khảo tài liệu hướng dẫn về thiết bị máy.
Mô-tơ ngừng lại ngay sau khi khởi động.	Tham khảo tài liệu hướng dẫn về thiết bị máy.	Tham khảo tài liệu hướng dẫn về thiết bị máy.
Tốc độ tối đa bị hạn chế.	Tham khảo tài liệu hướng dẫn về thiết bị máy.	Tham khảo tài liệu hướng dẫn về thiết bị máy.
Các lưỡi cắt không di chuyển. ⇒ <b>Ngừng mô-tơ ngay lập tức!</b>	Góc của thiết bị cắt không phù hợp.	Đảm bảo khóa góc đã giải đúng cách.
Các lưỡi cắt không di chuyển. ⇒ <b>Ngừng mô-tơ ngay lập tức!</b>	Một cành cây bị giữ lại trên lưỡi cắt.	Gỡ ngoại vật ra.
Các lưỡi cắt không di chuyển. ⇒ <b>Ngừng mô-tơ ngay lập tức!</b>	Hệ thống truyền động không làm việc đúng cách.	Nhờ trung tâm dịch vụ được ủy quyền kiểm tra và sửa chữa nó.
Thiết bị rung bất thường. ⇒ <b>Ngừng mô-tơ ngay lập tức!</b>	Hệ thống truyền động không làm việc đúng cách.	Nhờ trung tâm dịch vụ được ủy quyền kiểm tra và sửa chữa nó.
Các lưỡi cắt không dừng lại được. ⇒ <b>Ngừng mô-tơ ngay lập tức!</b>	Thiết bị máy không làm việc đúng cách.	Tham khảo tài liệu hướng dẫn về thiết bị máy.

## PHỤ KIỆN TỰY CHỌN

**⚠ THẬN TRỌNG:** Các phụ kiện hoặc phụ tùng gắn thêm này được khuyến cáo sử dụng với dụng cụ Makita của bạn theo như quy định trong hướng dẫn này. Việc sử dụng bất cứ phụ kiện hoặc phụ tùng gắn thêm nào khác đều có thể gây ra rủi ro thương tích cho người. Chỉ sử dụng phụ kiện hoặc phụ tùng gắn thêm cho mục đích đã quy định sẵn của chúng.

Nếu bạn cần bất kỳ sự hỗ trợ nào để biết thêm chi tiết về các phụ tùng này, hãy hỏi Trung tâm Dịch vụ của Makita tại địa phương của bạn.

- Bộ lưỡi cắt

**LƯU Ý:** Một số mục trong danh sách có thể được bao gồm trong gói dụng cụ làm phụ kiện tiêu chuẩn. Các mục này ở mỗi quốc gia có thể khác nhau.

## ข้อมูลจำเพาะ

รุ่น:	EN410MP
ขนาด (ยาว x กว้าง x สูง)	1,104 x 85 x 61 (43-1/2" x 3-3/8" x 2-3/8")
น้ำหนักสุทธิ	2.0 kg (4.5 lbs)
ความยาวในการตัดที่มีประสิทธิภาพ	490 mm (19-1/4")
อัตราเฟือง	1 : 4.7

- เนื่องจากการค้นคว้าวิจัยและพัฒนาอย่างต่อเนื่อง ข้อมูลจำเพาะในเอกสารฉบับนี้อาจเปลี่ยนแปลงได้โดยไม่ต้องแจ้งให้ทราบล่วงหน้า
- ข้อมูลจำเพาะอาจแตกต่างกันไปในแต่ละประเทศ

## จุดตัดกำลังที่อนุญาต

**คำเตือน:** ห้ามใช้อุปกรณ์ต่อพ่วงร่วมกับจุดตัดกำลังที่ไม่ได้รับอนุญาต การใช้งานร่วมกันที่ไม่ได้รับอนุญาตอาจก่อให้เกิดการบาดเจ็บร้ายแรง

อุปกรณ์ต่อพ่วงนี้ได้รับการอนุญาตให้ใช้งานร่วมกับจุดตัดกำลังต่อไปนี้เท่านั้น:

- (ปั๊มมัลติฟังก์ชัน)
  - EX2650LH
- (ปั๊มมัลติฟังก์ชันไร้สาย)
  - BUX360, BUX361, BUX362, UX360D, UX361D, UX362D, DUX60, XUX01

## อุปกรณ์ต่อพ่วงที่ได้รับการรับรอง

**คำเตือน:** ห้ามใช้อุปกรณ์ต่อพ่วงที่ไม่ได้รับการรับรอง การใช้งานร่วมกันที่ไม่ได้รับการรับรองอาจทำให้ได้รับบาดเจ็บสาหัสได้

อุปกรณ์ต่อพ่วงนี้ได้รับการรับรองให้ใช้งานร่วมกับอุปกรณ์ต่อพ่วงดังต่อไปนี้เท่านั้น:

- (อุปกรณ์ต่อพ่วงด้าม)
  - LE400MP

## สัญลักษณ์

ต่อไปนี้เป็นสัญลักษณ์ที่ใช้สำหรับอุปกรณ์ โปรดศึกษาความหมายของสัญลักษณ์ให้เข้าใจก่อนการใช้งาน

	อ่านและปฏิบัติตามคู่มือคำแนะนำ
	ใช้ความระมัดระวังและความสนใจเป็นพิเศษ!
	ห้าม!
	ระวังสายไฟ เสี่ยงต่อการถูกกระแสไฟฟ้าช็อต
	ระวังถูกหนีบ
	ให้สวมถุงมือป้องกัน
	สวมหมวกนิรภัย อุปกรณ์ป้องกันดวงตาและหู
	สวมรองเท้าแข็งแรงที่มีพื้นกันลื่น
	ให้ผู้ที่อยู่ข้างเคียงและสัตว์อยู่ห่างจากเครื่องมือไฟฟ้าอย่างน้อย 15 m



ให้บริเวณปฏิบัติงานปราศจากบุคคลและสัตว์เลี้ยง



การปฐมพยาบาล

## จุดประสงค์การใช้งาน

อุปกรณ์ต่อพ่วงนี้ได้รับการออกแบบมาเพื่อวัตถุประสงค์ในการตัดแต่งต้นไม้เตี้ยและพุ่มไม้ร่วมกับจุดตัดกำลังที่อนุญาต ห้ามใช้อุปกรณ์ต่อพ่วงนี้เพื่อวัตถุประสงค์อื่น การใช้อุปกรณ์ต่อพ่วงผิดวิธีอาจก่อให้เกิดการบาดเจ็บร้ายแรง

## คำเตือนด้านความปลอดภัย

### คำแนะนำด้านความปลอดภัยที่สำคัญ

**คำเตือน:** อ่านคำเตือนด้านความปลอดภัยและคำแนะนำทั้งหมดในสมุดเล่มนี้และคู่มือคำแนะนำของจุดตัดกำลัง การไม่ปฏิบัติตามคำเตือนและคำแนะนำดังกล่าวอาจส่งผลให้ไฟฟ้าช็อต ไฟไหม้ และ/หรือได้รับบาดเจ็บร้ายแรง

**คำเตือน:** เก็บรักษาคำเตือนและคำแนะนำทั้งหมดไว้เป็นข้อมูลอ้างอิงในอนาคต

คำว่า "เครื่องตัดแต่งพุ่มไม้" และ "อุปกรณ์" ในคำเตือนและข้อควรระวัง หมายถึงการใช้อุปกรณ์ต่อพ่วงและจุดตัดกำลังร่วมกัน

คำว่า "มอเตอร์" ในคำเตือนและข้อควรระวัง หมายถึงเครื่องยนต์หรือมอเตอร์ไฟฟ้าของจุดตัดกำลัง

### ข้อควรระวังโดยทั่วไป

1. ก่อนเริ่มใช้งานเครื่องตัดแต่งพุ่มไม้ อ่านสมุดเล่มนี้และคู่มือคำแนะนำของจุดตัดกำลังเพื่อทำความเข้าใจเกี่ยวกับการควบคุมเครื่องตัดแต่งพุ่มไม้
2. อย่าให้บุคคลที่มีประสบการณ์หรือความรู้ไม่เพียงพอเกี่ยวกับการควบคุมเครื่องตัดแต่งพุ่มไม้มีอุปกรณ์ต่อพ่วง
3. เมื่อให้ยืมอุปกรณ์ต่อพ่วง ให้แนบคู่มือคำแนะนำนี้ไปด้วย
4. ไม่อนุญาตให้เด็กหรือผู้มีอายุต่ำกว่า 18 ปีใช้งานเครื่องตัดแต่งพุ่มไม้ ให้บุคคลเหล่านี้อยู่ห่างจากเครื่องตัดแต่งพุ่มไม้
5. จับเครื่องตัดแต่งพุ่มไม้ด้วยความระมัดระวังและความสนใจเป็นพิเศษ
6. ห้ามใช้เครื่องตัดแต่งพุ่มไม้หลังจากบริโภคแอลกอฮอล์หรือสารเสพติดหรือถ้าหากรู้สึกเหนื่อยล้าหรือไม่สบาย
7. ห้ามพยายามดัดแปลงอุปกรณ์ต่อพ่วง
8. ปฏิบัติตามข้อบังคับเกี่ยวกับการควบคุมเครื่องตัดแต่งพุ่มไม้ในประเทศของคุณ

### อุปกรณ์ป้องกันส่วนบุคคล

#### ▶ หมายเลข 1

1. สวมหมวกนิรภัย แวนนิรภัย และถุงมือป้องกันเพื่อป้องกันตัวเองจากเศษวัสดุกระเด็นหรือวัตถุที่ตกลงมา
2. สวมอุปกรณ์ป้องกันหู เช่น ที่ครอบหู เพื่อป้องกันการสูญเสียการได้ยิน

- สวมเสื้อผ้าและรองเท้าที่เหมาะสมเพื่อการปฏิบัติงานอย่างปลอดภัย เช่น ชุดทำงานติดกัน และรองเท้าแข็งแรงที่มีพื้นกันลื่น อย่าสวมเครื่องแต่งกายที่หลวมเกินไป หรือสวมเครื่องประดับ เสื้อผ้ารุ่มร่าม เครื่องประดับ หรือหมวกที่มีความยาวอาจเข้าไปติดในชิ้นส่วนที่เคลื่อนที่
- เมื่อสัมผัสใบเลื่อยหรือทำการปรับมุมใบเลื่อย ให้สวมถุงมือป้องกัน ใบเลื่อยอาจบาดมือเปล่าจนบาดเจ็บสาหัส

### ความปลอดภัยของพื้นที่ทำงาน

**คำเตือน:** ให้เครื่องตัดแต่งพุ่มไม้อยู่ห่างจากสายไฟและสายโทรศัพท์ การแตะหรือเข้าไปใกล้สายไฟฟ้าแรงสูงด้วยเครื่องตัดแต่งพุ่มไม้ อาจก่อให้เกิดการเสียชีวิตหรือการบาดเจ็บร้ายแรง ตรวจสอบสายไฟและรั้วไฟฟ้ารอบๆ บริเวณที่ทำงานก่อนเริ่มทำงาน

**คำเตือน:** การใช้ผลิตภัณฑ์นี้อาจก่อให้เกิดฝุ่นผงที่มีสารเคมีซึ่งอาจก่อให้เกิดการเจ็บป่วยทางระบบทางเดินหายใจหรืออื่นๆ ได้ ตัวอย่างของสารเคมีเหล่านี้คือส่วนประกอบที่พบได้ในยาปราบศัตรูพืช ยาฆ่าแมลง ปุ๋ย และยากำจัดวัชพืช ความเสี่ยงของคุณจากการสัมผัสสิ่งเหล่านี้จะแตกต่างกันไปตามความถี่การทำงานของคุณ เพื่อลดการสัมผัสต่อสารเคมีเหล่านี้ ให้ทำงานในพื้นที่ที่มีการระบายอากาศอย่างดีและใช้อุปกรณ์รักษาความปลอดภัยที่ได้รับอนุญาต เช่น หน้ากากป้องกันฝุ่นที่ได้รับการออกแบบมาเป็นพิเศษที่สามารถกรองอนุภาคที่มีขนาดเล็กมากๆ ได้

- ใช้งานเครื่องตัดแต่งพุ่มไม้ภายใต้สภาพที่เห็นได้ชัดเจนและในเวลากลางวันเท่านั้น อย่าใช้งานเครื่องตัดแต่งพุ่มไม้ในความมืดหรือหมอก
- เริ่มและใช้งานเครื่องยนต์กลางแจ้งในบริเวณที่มีอากาศถ่ายเทดีเท่านั้น การใช้งานในบริเวณจำกัดหรือมีอากาศถ่ายเทไม่ดีอาจก่อให้เกิดการเสียชีวิตเนื่องจากการขาดอากาศหายใจหรือคาร์บอนมอนอกไซด์เป็นพิษ
- ระหว่างการใช้งาน ห้ามยืนบนพื้นผิวที่ไม่มั่นคงหรือลื่นหรืออยู่บนทางลาดชัน ระหว่างฤดูหนาว ให้ระวังน้ำแข็งและหิมะ และตรวจสอบเท้าให้มั่นคงเสมอ
- ระหว่างการใช้งาน ให้ผู้ที่อยู่ข้างเคียงและสัตว์อยู่ห่างจากเครื่องตัดแต่งพุ่มไม้อย่างน้อย 15 m หยุดมอเตอร์ทันทีที่มีคนเข้ามาใกล้
- ก่อนการใช้งาน ตรวจสอบหัววัด หิน หรือของแข็งอื่นๆ ในพื้นที่ทำงาน เนื่องจากอาจทำให้ใบเลื่อยเสียหายได้

### การใช้งาน

- ก่อนการประกอบหรือการปรับอุปกรณ์ ให้ปิดมอเตอร์และถอดฝาครอบหัวเทียนหรือดัลเบตเตอร์ออก
- ก่อนประกอบหรือทำการปรับมุมใบเลื่อย ให้สวมถุงมือป้องกัน
- ก่อนเริ่มใช้มอเตอร์ ให้ตรวจสอบความเสียหายของอุปกรณ์ สกรู/น็อตที่หลวม หรือการประกอบที่ไม่เหมาะสม เปลี่ยนใบเลื่อยที่แตก งอ หรือเสียหาย ตรวจสอบก้านควบคุมและสวิตช์ทั้งหมดเพื่อการทำงานที่ง่ายตาย ทำความสะอาดมือจับและเช็ดให้แห้ง
- ห้ามพยายามเริ่มใช้งานมอเตอร์หากอุปกรณ์เสียหายหรือไม่ได้ประกอบโดยสมบูรณ์ มิฉะนั้นอาจเกิดการบาดเจ็บร้ายแรงได้
- ปรับสายคล้องไหล่และมือจับให้เหมาะกับขนาดร่างกายของผู้ปฏิบัติงาน

### การใช้งาน

- ในกรณีที่เกิดเหตุฉุกเฉิน ให้ปิดสวิตช์มอเตอร์ทันที
- หากคุณรู้สึกถึงสภาพที่ผิดปกติ (เช่น เสียทรง การสั่นสะเทือน) ระหว่างการใช้งาน ให้ปิดสวิตช์มอเตอร์ อย่าใช้เครื่องตัดแต่งพุ่มไม้ จนกว่าจะทราบถึงสาเหตุและแก้ปัญหาได้
- ใบเลื่อยจะหมุนต่อไปเป็นระยะเวลาสั้นๆ หลังจากปล่อยสวิตช์เปิดปิดหรือปิดสวิตช์มอเตอร์ อย่ารีบสัมผัสใบเลื่อย
- ขณะที่เครื่องยนต์กำลังหมุนแบบเดินเบา ให้ติดสายสะพายไหล่
- ระหว่างการทำงาน ให้ใช้สายสะพายไหล่ ให้เครื่องตัดแต่งพุ่มไม้อยู่ทางด้านขวาของคุณอย่างมั่นคง

#### ► หมายเลข 2

- จับมือจับด้านหน้าด้วยมือซ้ายและจับตามจับด้านหลังด้วยมือขวา ไม้ว่าคุณจะถนัดซ้ายหรือขวา กำนิ้วมือและนิ้วโป้งของคุณรอบมือจับ

- ห้ามพยายามใช้งานอุปกรณ์ด้วยมือเดียว การสูญเสียการควบคุมอาจก่อให้เกิดการบาดเจ็บร้ายแรงหรือถึงแก่ชีวิต หากต้องการลดความเสี่ยงในการถูกบาด ให้มือและเท้าของคุณอยู่ห่างจากใบเลื่อย
- อย่าทำงานในระยงที่สุดเอื้อม จัดทำการยืนและการทรงตัวให้เหมาะสมตลอดเวลา มองสิ่งกีดขวางที่ซ่อนอยู่อย่างเช่น ดอกไม้ รากไม้ และร่องน้ำเพื่อหลีกเลี่ยงการสะดุด กำจัดกิ่งไม้ที่ตกอยู่และสิ่งอื่นๆ ออกไป
- ห้ามทำงานบนบันไดหรือต้นไม้ เพื่อหลีกเลี่ยงไม่ให้สูญเสียการควบคุม
- อย่าถือเครื่องจักรเหนือความสูงของไหล่
- ระหว่างการทำงาน ห้ามให้ใบเลื่อยกระทบกับของแข็งอย่างเช่น หินและโลหะ ใช้ความระมัดระวังเป็นพิเศษในการตัดพุ่มไม้ที่อยู่ด้านข้างหรือติดรั้วลวดเหล็ก ขณะทำงานใกล้กับพื้น ให้ตรวจสอบว่าไม่มีทราย กรวด หรือหินอยู่ระหว่างใบเลื่อย
- ถ้าใบเลื่อยสัมผัสกับหินหรือของแข็งอื่นๆ ให้หยุดมอเตอร์ทันทีและตรวจสอบความเสียหายของใบเลื่อยหลังจากถอดหัวเทียนหรือดัลเบตเตอร์ออกแล้ว เปลี่ยนใบเลื่อยหากมีความเสียหาย
- ถ้ากิ่งไม้หนาดังอยู่ในใบเลื่อย ให้ปิดสวิตช์มอเตอร์ทันที วางเครื่องตัดแต่งพุ่มไม้ลง แล้วกำจัดกิ่งกีดขวางออกหลังจากถอดหัวเทียนหรือดัลเบตเตอร์ออกแล้ว ตรวจสอบความเสียหายของใบเลื่อยก่อนใช้อุปกรณ์อีกครั้ง
- ห้ามแตะหรือเข้าหาใบเลื่อยขณะที่กำลังหมุน ใบเลื่อยอาจตัดนิ้วของคุณอย่างง่ายตาย ขณะจัดการกับใบเลื่อยหรือปรับมุมใบเลื่อย ให้หยุดมอเตอร์และถอดฝาครอบหัวเทียนหรือดัลเบตเตอร์ออก
- การเร่งมอเตอร์โดยที่ใบเลื่อยถูกกีดขวางอยู่จะเป็นการเพิ่มโหลดและจะทำให้มอเตอร์และ/หรือคลัตช์เสียหาย
- ตรวจสอบใบเลื่อยตัดบ่อยๆ ระหว่างการทำงานเพื่อหารอยแตกหรือขอบที่ทื่อ ก่อนทำการตรวจสอบ ให้ปิดสวิตช์มอเตอร์และรอจนกว่าใบเลื่อยจะหยุดสนิท เปลี่ยนใบเลื่อยที่เสียหายหรือที่ทื่อทันที แม้ว่าจะมีรอยแตกเพียงตื้นๆ ก็ตาม
- ถ้าอุปกรณ์ถูกกระแทกอย่างแรงหรือทำตก ให้ตรวจสอบสภาพก่อนทำงานต่อ ตรวจสอบการรั่วไหลของเชื้อเพลิงในระบบเชื้อเพลิงและการทำงานที่ผิดปกติของการควบคุมและอุปกรณ์ป้องกันภัย หากมีความเสียหายหรือข้อสงสัยใดๆ ให้นำไปตรวจสอบและซ่อมแซมที่ศูนย์บริการที่ผ่านการรับรองของเรา
- อย่าจับกระปุกเฟือง กระปุกเฟืองจะร้อนระหว่างการทำงาน
- หยุดพักเพื่อป้องกันการสูญเสียการควบคุมเนื่องจากความเหนื่อยล้า ขอแนะนำให้หยุดพัก 10 ถึง 20 นาทีทุกชั่วโมง
- เมื่อคุณวางอุปกรณ์ทิ้งไว้ แม้จะเป็นระยะเวลาสั้นๆ ก็ตาม ให้ปิดสวิตช์เครื่องยนต์หรือถอดดัลเบตเตอร์เสมอ อุปกรณ์ที่เครื่องยนต์ยังทำงานอยู่แต่ไม่มีผู้ดูแล อาจถูกบุคคลที่ไม่ได้รับอนุญาตนำไปใช้และก่อให้เกิดอุบัติเหตุร้ายแรง
- ก่อนทำการตัด ให้ตั้งก้านเปิดปิดจนสุดเพื่อให้ได้ความเร็วสูงสุด
- ปฏิบัติตามคู่มือคำแนะนำของชุดต้นกำลังเพื่อใช้งานก้านและสวิตช์ควบคุมอย่างถูกต้อง
- ระหว่างหรือหลังจากการทำงาน อย่าวางอุปกรณ์ที่ร้อนลงบนหญ้าแห้ง หรือวัสดุที่ติดไฟได้ง่าย

### การเคลื่อนย้าย

- ก่อนการเคลื่อนย้ายอุปกรณ์ ให้ปิดมอเตอร์และถอดฝาครอบหัวเทียนหรือดัลเบตเตอร์ออก ใส่ฝาครอบใบเลื่อยระหว่างการเคลื่อนย้ายเสมอ
- ขณะถือเครื่องมือ ให้ถือในตำแหน่งแน่นอนโดยจับที่ก้าน หันเครื่องเก็บเสียงที่ร้อนออกจากร่างกายของคุณ
- ขณะเคลื่อนย้ายอุปกรณ์ในยานพาหนะ ให้ยึดอุปกรณ์ไว้อย่างเหมาะสมเพื่อหลีกเลี่ยงการพลิก มิฉะนั้นอาจเกิดการกระเด็นของเชื้อเพลิงและเกิดความเสียหายต่อเครื่องมือและหีบห่ออื่นๆ

### การบำรุงรักษา

- ก่อนทำการบำรุงรักษาหรือซ่อมแซมหรือทำความสะอาดอุปกรณ์ ให้ปิดมอเตอร์และถอดฝาครอบหัวเทียนหรือดัลเบตเตอร์ออกเสมอ รอจนกว่ามอเตอร์จะเย็น

- หากต้องการลดความเสี่ยงในการเกิดอัคคีภัย ห้ามทำการบำรุงรักษาอุปกรณ์ในบริเวณใกล้เคียงกับไฟ
- ใส่ถุงมือป้องกันขณะจับใบเลื่อยเสมอ
- กำจัดฝุ่นและสิ่งสกปรกออกจากอุปกรณ์เสมอ อย่าใช้น้ำมันเชื้อเพลิงเบนซิน ทินเนอร์ แอลกอฮอล์ หรือวัสดุประเภทเดียวกันเพื่อวัตถุประสงค์ดังกล่าว เนื่องจากอาจเกิดการเปลี่ยนสี เปลี่ยนรูป หรือรอยแตกบนชิ้นส่วนพลาสติก
- หลังจากการใช้งานในแต่ละครั้ง ให้ขันสกรูและน็อตทุกตัว ยกเว้นสกรูปรับคาร์บูเรเตอร์
- รักษาความคมของเครื่องมือตัด หากใบเลื่อยตัดทื่อและประสิทธิภาพการตัดแย่ ให้นำใบเลื่อยไปลับที่ศูนย์บริการที่ผ่านการรับรองของเรา
- ห้ามซ่อมแซมใบเลื่อยที่งอหรือแตกด้วยการยึดให้ตรงหรือเชื่อม เนื่องจากชิ้นส่วนของใบเลื่อยอาจจะยื่นออกมาและก่อให้เกิดการบาดเจ็บร้ายแรง ติดต่อศูนย์บริการที่ผ่านการรับรองของเราเพื่อเปลี่ยนใบเลื่อย Makita ของแท้
- อย่าพยายามทำการบำรุงรักษาหรือซ่อมแซมใดๆ ที่ไม่ได้ระบุไว้ในสมุดเล่มนี้หรือคู่มือคำแนะนำของชุดต้นกำลัง สอบถามศูนย์บริการที่ผ่านการรับรองของเราให้ทำงานดังกล่าวให้
- ใช้อะไหล่และอุปกรณ์เสริม Makita ของแท้เสมอเท่านั้น การใช้อะไหล่หรืออุปกรณ์เสริมที่บุคคลที่สามจัดหาให้อาจส่งผลให้อุปกรณ์เสียหาย ทรัพย์สินเสียหาย และ/หรือการบาดเจ็บร้ายแรง
- ติดต่อศูนย์บริการที่ผ่านการรับรองของเราเพื่อตรวจสอบและบำรุงรักษาเครื่องตัดแต่งฟุ่มไม้ตามรอบระยะเวลาทั่วไป

### การเก็บรักษา

- ก่อนทำการเก็บอุปกรณ์ ให้ทำความสะอาดและบำรุงรักษาเต็มรูปแบบไว้ฝาครอบใบเลื่อย
- เก็บอุปกรณ์ในที่แห้ง สูงหรือมีที่ล็อกและห่างจากมือเด็ก
- อย่าเอาอุปกรณ์ไปค้ำกับสิ่งอื่นเช่น กำแพง มิฉะนั้น เครื่องตัดแต่งฟุ่มไม้ อาจตกลงมากระแทกพื้นและก่อให้เกิดการบาดเจ็บ

### การปฐมพยาบาล

- เตรียมชุดปฐมพยาบาลไว้ใกล้ๆ เสมอ นำสิ่งที่ถูกนำออกจากชุดปฐมพยาบาลมาเติมทันที
- เมื่อต้องการขอความช่วยเหลือ ให้บอกข้อมูลดังต่อไปนี้:
  - สถานที่เกิดอุบัติเหตุ
  - สิ่งที่เกิดขึ้น
  - จำนวนผู้ได้รับบาดเจ็บ
  - ลักษณะการบาดเจ็บ
  - ชื่อของคุณ

## คำอธิบายชิ้นส่วนต่างๆ

### ▶ หมายเลข 3

1	ใบมีด	2	กระปุกเฟือง	3	ฝาปิด	4	ฝาครอบใบเลื่อย
---	-------	---	-------------	---	-------	---	----------------

## การประกอบ

**คำเตือน:** ก่อนการประกอบหรือการปรับอุปกรณ์ ให้ปิดมอเตอร์และถอดฝาครอบหัวเทียนหรือตัวแบตเตอรี่ออก มิฉะนั้นใบเลื่อยหรือชิ้นส่วนอื่นๆ อาจเคลื่อนไหวและก่อให้เกิดการบาดเจ็บร้ายแรง

**คำเตือน:** ก่อนทำการควบคุมหรือทำงานกับใบเลื่อย ให้สวมถุงมือป้องกันและใส่ฝากรอบใบเลื่อยลงบนใบเลื่อย มิฉะนั้นใบเลื่อยอาจบาดมือเปล่าจนบาดเจ็บสาหัส

**คำเตือน:** ขณะทำการประกอบหรือปรับอุปกรณ์ ให้วางอุปกรณ์ลงเสมอ การประกอบหรือปรับอุปกรณ์ในตำแหน่งตั้งขึ้นอาจก่อให้เกิดการบาดเจ็บร้ายแรง

**คำเตือน:** ปฏิบัติตามคำเตือนและข้อควรระวังในบท "ข้อควรระวังความปลอดภัย" และคู่มือคำแนะนำของชุดต้นกำลัง

## การติดอุปกรณ์ต่อพ่วงเข้ากับชุดต้นกำลัง

หากต้องการติดอุปกรณ์ต่อพ่วงเข้ากับชุดต้นกำลัง ให้ปฏิบัติตามขั้นตอนด้านล่างนี้

- ตรวจสอบให้แน่ใจว่าไม่ได้ขันก้านล็อก
- ปรับสลักให้ตรงกับเครื่องหมายลูกศร
- ใส่ก้านเข้าไปในเพลลาขับของชุดต้นกำลังจนกว่าเส้นตำแหน่งและปุ่มปล่อยจะตั้งออกมา
- ขันก้านล็อกให้แน่นตามที่แสดง

หากต้องการถอดอุปกรณ์ต่อพ่วง ให้คลายก้านล็อกโดยหมุนก้านล็อกไปในทิศทางตรงกันข้าม และกดปุ่มล็อกและถอนเพลลาออก

- ▶ **หมายเลข 4:** 1. ก้านล็อก 2. สลัก 3. เครื่องหมายลูกศร 4. เส้นตำแหน่ง 5. ปุ่มปล่อย

**ข้อสังเกต:** อย่าขันก้านล็อกโดยไม่มีก้านของอุปกรณ์ต่อพ่วงสอดเข้าไป มิฉะนั้นก้านล็อกอาจขันแน่นกับทางเข้าของเพลลาขับมากเกินไปและทำให้เกิดความเสียหาย

## การใช้งาน

**คำเตือน:** หากใบเลื่อยเคลื่อนที่แบบเดินเบา ให้ปรับความเร็วเดินเบาของเครื่องยนต์ลง มิฉะนั้นคุณจะไม่สามารถหยุดใบเลื่อยโดยปิดสวิตช์เปิดปิดได้ และอาจก่อให้เกิดการบาดเจ็บร้ายแรง

**คำเตือน:** ปฏิบัติตามคำเตือนและข้อควรระวังในบท "คำแนะนำด้านความปลอดภัยที่สำคัญ" และคู่มือคำแนะนำของชุดต้นกำลัง

## การตัดในแนวนอน

ขณะตัดแต่งฟุ่มไม้ในแนวนอน ให้ปฏิบัติตามขั้นตอนด้านล่างนี้

- ดึงก้านเปิดปิดจนสุด
- กดใบเลื่อยเข้ากับฟุ่มไม้โดยทำมุม 15° ถึง 30°
- ตัดแต่งฟุ่มไม้โดยแกว่งจากทางขวาไปทางซ้าย

### ▶ หมายเลข 5

## การตัดในแนวตั้ง

ขณะตัดแต่งฟุ่มไม้ในแนวตั้ง ให้ปฏิบัติตามขั้นตอนด้านล่างนี้

- ดึงก้านเปิดปิดจนสุด
- กดใบเลื่อยเข้ากับฟุ่มไม้โดยให้ขนานกัน
- ตัดแต่งฟุ่มไม้จากด้านล่างขึ้นด้านบนโดยการแกว่ง

### ▶ หมายเลข 6

## การบำรุงรักษา

**คำเตือน:** ก่อนทำการตรวจสอบหรือบำรุงรักษาอุปกรณ์ ให้ปิดมอเตอร์และถอดฝาครอบหัวเทียนหรือตัดแบตเตอรี่ออก มีฉะนั้นใบเลื่อยหรือชิ้นส่วนอื่นๆ อาจเคลื่อนไหวและก่อให้เกิดการบาดเจ็บร้ายแรง

**คำเตือน:** ก่อนทำการควบคุมหรือทำงานกับใบเลื่อย ให้สวมถุงมือป้องกันและใส่ฝาครอบใบเลื่อยลงบนใบเลื่อย ระหว่างการประกอบหรือการปรับ นิ้วของคุณอาจสัมผัสกับใบเลื่อยและอาจก่อให้เกิดการบาดเจ็บร้ายแรง

**คำเตือน:** ขณะทำการตรวจสอบหรือบำรุงรักษาอุปกรณ์ ให้วางเครื่องตัดแต่งพุ่มไม้ลงเสมอ การประกอบหรือปรับอุปกรณ์ในตำแหน่งตั้งขึ้นอาจก่อให้เกิดการบาดเจ็บร้ายแรง

**คำเตือน:** ปฏิบัติตามคำเตือนและข้อควรระวังในบท "คำแนะนำด้านความปลอดภัยที่สำคัญ" และคู่มือคำแนะนำของชุดต้นกำลัง

## การตรวจสอบใบเลื่อย

ตรวจสอบความเสียหาย รอยแตก และขอบที่ของใบเลื่อยเป็นประจำทุกวัน สอบถามศูนย์บริการที่ผ่านการรับรองของเราให้เปลี่ยนใบเลื่อยที่เสียหายหรือลับใบเลื่อยที่ข้อให้

## การปรับตั้งระยะห่างของใบมีด

ใบเลื่อยด้านบนด้านล่างจะค่อยๆ สึกหลังจากการใช้งาน หากคุณไม่สามารถทำการตัดอย่างเรียบได้แม้ว่าใบเลื่อยจะมีความคมเพียงพอ ให้ปรับระยะห่างดังนี้

ความแน่นของสลักเกลียวหกเหลี่ยมจะเป็นตัวกำหนดระยะห่างของใบเลื่อย น็อตจะยึดสลักเกลียวหกเหลี่ยมไว้ด้วยความแน่นในระดับหนึ่ง ช่องว่างที่หลวมเกินไปจะทำให้ตัดได้ไม่คม แต่ช่องว่างที่แน่นเกินไปจะทำให้เกิดความร้อนโดยไม่จำเป็นและทำให้ใบเลื่อยสึกหรอเร็วขึ้น

- คลายน็อตด้วยประแจ
- ขันสลักเกลียวหกเหลี่ยมเบาๆ จนสลักเกลียวหยุด แล้วจึงขันสกรูกลับไปประมาณหนึ่งส่วนสี่รอบถึงครึ่งรอบในแต่ละครั้งเพื่อให้ได้ระยะห่างที่จำเป็น
- ยึดสลักเกลียวหกเหลี่ยมไว้และขันน็อต
- ใส่น้ำมันเล็กน้อยบนผิวหน้าการเสียดสีของใบเลื่อย
- เริ่มใช้งานมอเตอร์และใช้สวิตช์เปิดปิดเป็นเวลา 1 นาที
- วัดระยะเวลาที่จำเป็นในการที่ใบเลื่อยจะหยุดหลังจากปล่อยสวิตช์เปิดปิด หากใช้เวลา 2 วินาทีขึ้นไป ให้ปิดมอเตอร์และทำขั้นตอนที่ 1 ถึง 6 ซ้ำ

## รอบการบำรุงรักษา

	-	ก่อนใช้งาน	ทุกวัน (10 ชม.)	25 ชม.	หากจำเป็น
ทั้งหมด	ตรวจสอบชิ้นส่วนที่เสียหายด้วยตา	○	-	-	-
สกรูและน็อตที่ใช้ยึดทุกตัว	ขันแน่น	○	-	-	-
ใบมีด	ตรวจสอบความเสียหาย รอยแตก และขอบที่ข้อ	-	○	-	-
	ปรับตั้งระยะห่าง	-	-	-	○
กระปุกเฟือง	ใส่จาระบี	-	-	○	-
เพลาชับ	ใส่จาระบี	-	-	○	-
ชุดต้นกำลัง					อ้างอิงคู่มือคำแนะนำของชุดต้นกำลัง

- ปิดสวิตช์มอเตอร์และแกะผิวหน้าของใบเลื่อย หากผิวหน้าไม่ร้อนเกินกว่าจะแตะได้ นั่นคือคุณได้ทำการปรับที่เหมาะสมแล้ว หากผิวหน้าร้อนเกินกว่าจะแตะได้ ให้หมุนสลักเกลียวหกเหลี่ยมกลับเล็กน้อยและทำขั้นตอนที่ 5 ถึง 7 ซ้ำ
- **หมายเลข 7:** 1. น็อต 2. สลักเกลียวหกเหลี่ยม 3. แผ่นป้าน 4. ที่ป้องกันใบเลื่อย 5. ใบมีดด้านบน 6. ใบมีดด้านล่าง

## การหล่อลื่นชิ้นส่วนที่เคลื่อนไหว

**ข้อสังเกต:** ปฏิบัติตามคำแนะนำในด้านความถี่และปริมาณจาระบีที่ต้องใช้ มีฉะนั้น การหล่อลื่นที่ไม่เพียงพออาจทำให้ชิ้นส่วนที่เคลื่อนไหวเสียหายได้

- **หมายเลข 8**

## กระปุกเฟือง:

ทาจาระบีทุกๆ 25 ชั่วโมงการทำงาน

- รูจาระบีอยู่ใต้สลักเกลียว ถอดสลักเกลียวเพื่อทำการหล่อลื่น
- เติมจาระบีประมาณ 5 g (7 cc) เข้าไปในรูจาระบี
- ใส่สลักเกลียวกลับไปหลังจากหล่อลื่นเสร็จ

- **หมายเลข 9:** 1. รูจาระบี

**หมายเหตุ:** หลังจากเติมจาระบีในปริมาณที่ถูกต้องแล้ว จาระบีจะออกมาจากฐานของใบเลื่อยเล็กน้อยระหว่างการใช้งานครั้งแรก

## เพลาชับ:

ทาจาระบีทุกๆ 25 ชั่วโมงการทำงาน

## การตรวจสอบทั้งหมด

- ขันสลักเกลียว น็อต และสกรูที่หลวมให้แน่น
- ตรวจสอบชิ้นส่วนและใบเลื่อยที่เสียหาย สอบถามศูนย์บริการที่ผ่านการรับรองของเราให้ทำการเปลี่ยนชิ้นส่วนหากจำเป็น

## การเก็บรักษา

**คำเตือน:** ปฏิบัติตามคำเตือนและข้อควรระวังในบท "คำแนะนำด้านความปลอดภัยที่สำคัญ" และคู่มือคำแนะนำของชุดต้นกำลัง

เมื่อเก็บรักษาอุปกรณ์ต่อพ่วงของเครื่องตัดแต่งพุ่มไม้แยกออกจากชุดต้นกำลัง ให้ใส่ฝาครอบที่ปลายเพลาชับ

- **หมายเลข 10**



## การแก้ไขปัญหา

สภาวะความผิดปกติ	สาเหตุที่เป็นไปได้ (การทำงานผิดปกติ)	การแก้ไข
มอเตอร์ไม่เริ่มทำงาน	อ้างอิงคู่มือคำแนะนำของชุดต้นกำลัง	อ้างอิงคู่มือคำแนะนำของชุดต้นกำลัง
มอเตอร์หยุดหลังจากเริ่มทำงานไม่นานนัก	อ้างอิงคู่มือคำแนะนำของชุดต้นกำลัง	อ้างอิงคู่มือคำแนะนำของชุดต้นกำลัง
ความเร็วสูงสุดถูกจำกัด	อ้างอิงคู่มือคำแนะนำของชุดต้นกำลัง	อ้างอิงคู่มือคำแนะนำของชุดต้นกำลัง
ใบเลื่อยไม่ขยับ ⇒ หยุดมอเตอร์ทันที!	มุมที่ไม่เหมาะสมของชุดตัด	ตรวจสอบให้แน่ใจว่าการล็อกมุมอย่างเหมาะสม
ใบเลื่อยไม่ขยับ ⇒ หยุดมอเตอร์ทันที!	กึ่งไม้ติดอยู่กับใบเลื่อย	เอาสิ่งแปลกปลอมออก
ใบเลื่อยไม่ขยับ ⇒ หยุดมอเตอร์ทันที!	ระบบขับเคลื่อนไม่ทำงานอย่างเหมาะสม	สอบถามศูนย์บริการที่ผ่านการรับรองของเราให้ทำการตรวจสอบและซ่อมแซม
อุปกรณ์สิ้นผิดปกติ ⇒ หยุดมอเตอร์ทันที!	ระบบขับเคลื่อนไม่ทำงานอย่างเหมาะสม	สอบถามศูนย์บริการที่ผ่านการรับรองของเราให้ทำการตรวจสอบและซ่อมแซม
ใบเลื่อยไม่หยุดหมุน ⇒ หยุดมอเตอร์ทันที!	ชุดต้นกำลังไม่ทำงานอย่างเหมาะสม	อ้างอิงคู่มือคำแนะนำของชุดต้นกำลัง

## อุปกรณ์เสริม

**⚠ ข้อควรระวัง:** ขอแนะนำให้ใช้เฉพาะอุปกรณ์เสริมหรืออุปกรณ์ต่อพ่วงเหล่านี้กับเครื่องมือ Makita ที่ระบุในคู่มือ การใช้อุปกรณ์เสริมหรืออุปกรณ์ต่อพ่วงอื่นๆ อาจมีความเสี่ยงที่จะได้รับบาดเจ็บ ใช้อุปกรณ์เสริมหรืออุปกรณ์ต่อพ่วงตามวัตถุประสงค์ที่ระบุไว้เท่านั้น

หากต้องการทราบรายละเอียดเพิ่มเติมเกี่ยวกับอุปกรณ์เสริมเหล่านี้ โปรดสอบถามศูนย์บริการ Makita ใกล้บ้านคุณ

- ชุดใบเลื่อย

**หมายเหตุ:** อุปกรณ์บางรายการอาจจะรวมอยู่ในชุดเครื่องมือเป็นอุปกรณ์มาตรฐาน ซึ่งอาจแตกต่างกันไปในแต่ละประเทศ

## 目录

规格 .....	34	保养 .....	36
安全警告 .....	34	维修保养间隔 .....	37
部件说明 .....	36	故障排除 .....	37
装配 .....	36	选购附件 .....	37
操作 .....	36		

## 规格

型号:	EN410MP
尺寸 (长 × 宽 × 高)	1,104 x 85 x 61 (43-1/2" x 3-3/8" x 2-3/8" )
净重	2.0 kg (4.5 lbs)
有效切割长度	490 mm (19-1/4" )
齿轮比率	1: 4.7

- 生产者保留变更规格不另行通知之权利。
- 规格可能因销往国家之不同而异。

### 认可的动力机

**警告：** 切勿在未经认可的动力机上使用该刀头总成。在未经认可的动力机上使用该刀头总成可能会造成严重伤害。

该刀头总成仅可与以下动力机组合使用：

- (多功能动力机)  
EX2650LH
- (充电式多功能动力机)  
BUX360, BUX361, BUX362, UX360D, UX361D, UX362D, DUX60, XUX01

### 认可的附件

**警告：** 切勿使用未经认可的附件。未经认可的组合使用可能会造成严重伤害。

该刀头总成仅可与以下附件组合使用：

- (轴杆延伸附件)  
LE400MP

### 符号

以下显示本工具使用的符号。在使用工具之前请务必理解其含义。



阅读并遵循使用说明书。



特别小心和注意!



禁止!



小心电气线路。存在触电危险。



小心夹手。



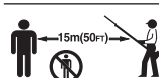
佩戴防护手套。



佩戴防护头盔、护目镜和耳罩。



穿戴具有防滑底的结实靴。



请使旁观者或动物远离电动工具至少15m距离。



请确保操作区域无任何人员或宠物。



急救

### 用途

该刀头总成仅可用于修剪灌木和绿篱，且必须与认可的动力机组合使用。切勿将刀头总成用于其他用途。不正当使用可能会导致严重伤害。

## 安全警告

### 重要安全注意事项

**警告：** 请通读本手册和动力机使用说明书中的所有警告和说明。若不遵循警告和说明事项，可能导致触电、起火和/或严重的人身伤害。

**警告：** 请保留所有的警告和说明事项，以备日后参考。

警告和注意事项中的术语“篱笆修剪机”和“设备”指代本刀头总成与动力机的组合。

警告和注意事项中的术语“电机”指代动力机的引擎或电机。

### 一般注意事项

1. 启动篱笆修剪机之前，请阅读本手册和动力机的使用说明书，熟悉篱笆修剪机的操作处理。
2. 切勿将本刀头总成借予缺乏篱笆修剪机操作经验或知识的人员。
3. 借出本刀头总成时，请务必附上使用说明书。
4. 切勿允许儿童或未满18岁的少年使用篱笆修剪机。使他们远离篱笆修剪机。
5. 使用篱笆修剪机时请务必特别小心谨慎。
6. 切勿在饮酒或服药后以及疲劳、身体不适时使用篱笆修剪机。
7. 切勿尝试改装篱笆修剪机。
8. 请遵循当地篱笆修剪机的相关法规。

### 个人防护设备

#### ► 图片1

1. 请佩戴安全头盔，护目镜和防护手套以免飞溅碎片或掉落物体的伤害。
2. 请佩戴耳罩等护耳设备以免听力受损。

3. 请穿戴合适的衣服和鞋（例如工作服和具有防滑底的结实靴）以确保操作安全。请勿穿戴宽松的衣服或佩带首饰。宽松的衣服、首饰或长头发会被卷入运动部件中。
4. 接触刀片或调节刀片角度时，请佩戴防护手套。刀片会严重割伤裸手。

## 工作区域安全事项

**警告：** 使篱笆修剪机远离电气线路和通信电缆。篱笆修剪机接触或靠近高压线会导致死亡或严重人身伤害。开始操作前，请检查工作区域的电气线路和带电围栏。

**警告：** 使用本机时产生的粉尘含化学物质，可能会导致呼吸类疾病或其他疾病。例如其中一些化学物质为杀虫剂、农药、化肥和除草剂中含有的化合物。根据您进行该类型作业的频率，您暴露于这些化学物质的危险程度有所不同。为尽量避免受到这些化学物质的影响：请保持工作区域通风良好，并使用认可的安全设备，如专门用于过滤精细微粒的防尘面罩等。

1. 仅可在可视性良好且光线充足的情况下操作本篱笆修剪机。切勿在黑暗或雾霾环境中操作篱笆修剪机。
2. 仅可在通风良好的户外条件下启动和操作引擎。在狭小封闭或通风条件差的环境下操作会导致人体因缺氧和一氧化碳中毒而死亡。
3. 操作期间，切勿站在打滑不稳的表面或陡坡上。寒冷季节，请警惕冰雪并时刻确保立足稳固。
4. 操作期间，请使旁观者或动物远离篱笆修剪机至少15 m距离。有人接近时，请立即停止电机。
5. 操作前，请检查工作区域是否有铁丝网、石子或其他坚硬物体。此类物体会损伤刀片。

## 操作

1. 组装和调节本设备前，请关闭电机并取下火花塞帽或电池组。
2. 组装刀片或调节切割角度前，请佩戴防护手套。
3. 启动电机前，请检查设备是否存在损坏，螺丝/螺母松动或者组装不当。如果刀片有裂缝、弯曲或受损，请更换刀片。请检查并确保所有的控制杆和按钮可以正常工作。清洁并擦干把手。
4. 如果设备有损坏或未安装完毕，切勿尝试启动电机。否则可能会导致严重的人身伤害。
5. 请根据操作者的身材合理调节肩带和手柄。

## 操作

1. 出现紧急事件时，请立刻关闭电机。
  2. 如果在操作期间感觉有任何的不妥（例如振动），请关闭电机。找出并解决问题后方可使用篱笆修剪机。
  3. 松开油门扳机或关闭电机后刀片会在短时间内继续移动。切勿急于接触刀片。
  4. 仅在引擎怠速运行时安装肩带。
  5. 操作期间，请使用肩带。使篱笆修剪机牢固位于身体右侧。
- **图片2**
6. 无论您习惯使用左手还是右手，请都用左手握住前把手，右手握住后把手。五指握住把手。
  7. 切勿尝试单手操作本设备。失控会导致严重或致命伤害。为降低人身伤害风险，请使手和脚都远离刀片。
  8. 操作时手不要伸得太长。操作时请双脚站稳，始终保持平衡。注意观察是否有隐藏的障碍物，例如树桩，树根和沟渠等以免被绊倒。请清理掉落的树枝等其他物体。
  9. 切勿在梯子或树上进行作业，以免失控。
  10. 切勿将机器提到肩膀的高度进行操作。
  11. 操作期间，切勿使刀片触碰坚硬物体的表面，例如石头或金属。尤其是在铁丝网围栏附近操作时要特别小心。在离地面较近的位置操作时，确保刀片不会碰到沙子、砂石和石头。
  12. 如果刀片碰到石头或其他坚硬物体，请立即停止电机，并在移除火花塞帽或电池组后检查刀片是否受损。如果刀片有任何损伤，请予以更换。
  13. 如果刀片被粗树枝卡住，请立即关闭电机，放下篱笆修剪机，并在移除火花塞帽或电池组后清除障碍物。再次使用设备前请检查刀片是否受损。

14. 切勿触摸或靠近运行中的刀片。刀片可以轻易割伤手指。处理刀片或调节刀片角度时，请关闭电机并取下火花塞帽或电池组。
15. 刀片受阻时，如果增大负载加速电机则会导致电机和/或离合器受损。
16. 操作期间，请经常检查刀片是否有裂痕或变钝。检查前，请关闭电机并等待刀片完全停止。必须立刻更换损坏或变钝的刀片，即使只是表面的浅裂痕也要及时更换。
17. 如果设备遭到严重撞击或摔落，请在继续工作前检查机器状态。检查燃料系统是否存在燃料泄露，控制和安全刀头总成是否存在故障。如果有任何损坏或疑问，请我们的授权维修中心进行检查和修复。
18. 不可触摸齿轮箱。齿轮箱在操作期间会产生高温。
19. 注意休息，以免疲劳操作导致失控。建议每隔1小时休息10到20分钟。
20. 如要离开设备，即使是短时间离开，也请务必关闭引擎或拆下电池组。无人照看引擎运转的设备时，工具可能会被闲杂人员使用，并导致严重事故。
21. 切割前，完全扣动油门拉杆以获得最大速度。
22. 按照动力机的使用说明书合理使用控制拉杆和开关。
23. 操作期间或操作结束后，请勿将发热的设备放在干草或易燃物体上。

## 运输

1. 运输本设备前，请关闭电机并取下火花塞帽或电池组。运输期间需始终安装刀片保护罩。
2. 携运本设备时，请手握轴部水平携带。身体远离发热的消音器。
3. 使用车辆运输本设备时，请将其固定以免翻滚。否则可能会导致燃料泄露损坏工具或其它行李。

## 保养

1. 对本设备进行保养或修理工作或清洁前，请关闭电机并取下火花塞帽或电池组。等待电机冷却。
2. 为降低火灾风险，切勿在火源附近维修设备。
3. 处理刀片时，请务必佩戴防护手套。
4. 请务必清理设备上的灰尘和泥土。切勿使用汽油、苯、稀释剂、酒精或类似物品清洁工具进行清洁。否则可能会导致塑料部件变色，变形或产生裂纹。
5. 每次使用完毕后，请紧固所有螺丝和螺母，化油器调节螺丝除外。
6. 保持切割工具的锋利。如果刀片变钝且切割能力下降，请联系Makita（牧田）授权的维修服务中心更换刀片。
7. 切勿通过矫直或焊接的方式修复弯折或受损的刀片。可能会导致刀片的碎片脱离，导致严重人身伤害。请联系当地的Makita（牧田）授权维修服务中心更换原装刀片。
8. 请勿尝试进行本手册或动力机使用说明书中未提及的保养或修理。请授权维修中心进行此类工作。
9. 请仅使用Makita（牧田）原装正品配件和附件。使用第三方提供的配件或附件可能会导致设备故障，财产损失和/或严重的人身伤害。
10. 请定期要求授权维修中心检查并维护篱笆修剪机。

## 存放

1. 存放本设备前，进行全面清洁和维护。安装刀片保护罩。
2. 请将本设备放置在干燥的高处或加锁位置，避免儿童接触。
3. 请勿将本设备倚靠在墙上或其他物体上。否则篱笆修剪机可能会摔落导致人身伤害。

## 急救

1. 请确保附近有急救箱可用。立即更换取自急救箱中的所有物品。
2. 寻求帮助时，请给出以下信息：
  - 事故地点
  - 事故经过
  - 受伤人数
  - 受伤性质
  - 您的名称

## 部件说明

### ► 图片3

1	刀片	2	齿轮箱	3	盖子	4	刀片罩
---	----	---	-----	---	----	---	-----

## 装配

**警告：** 组装和调节本设备前，请关闭电机并取下火花塞帽或电池组。否则刀片或其他部件可能会运行导致严重人身伤害。

**警告：** 处理刀片或在刀片附近工作前，请佩戴防护手套，并装上刀片防护罩。否则刀片会严重割伤裸手。

**警告：** 组装或调节设备时，请始终将其放下。组装或调节设备时直立放置设备可能导致严重人身伤害。

**警告：** 遵循“安全注意事项”章节以及动力机使用说明书中的警告和注意事项。

### 将该刀头总成安装至动力机

将该刀头总成安装至动力机时，请遵循以下步骤。

1. 确保锁定杆未紧固。
2. 将销钉与箭头标记对齐。
3. 将轴插入动力机驱动轴直至到达位置线，且释放按钮弹起。
4. 如图所示紧固锁定杆。

要拆下刀头总成，请反方向旋转锁定杆将其拧松，按锁定按钮并拉回轴。

► **图片4：** 1. 锁定杆 2. 销 3. 箭头标记 4. 位置线 5. 释放按钮

**注意：** 未插入刀头总成的轴时请勿紧固锁定杆。否则锁定杆可能过于紧固驱动轴开口部分，导致其受损。

## 操作

**警告：** 如果刀片在怠速时移动，请降低引擎的怠速速度。否则关闭油门时无法停止刀片，可能会导致严重伤害。

**警告：** 遵循“重要安全注意事项”章节以及动力机使用说明书中的警告和注意事项。

### 水平切割

水平位置修剪绿篱时，请遵循以下步骤。

1. 完全拉开油门拉杆。
2. 使刀片与绿篱呈15°至30°的斜角。
3. 左右摆动修剪绿篱。

► **图片5**

### 垂直切割

垂直位置修剪绿篱时，请遵循以下步骤。

1. 完全拉开油门拉杆。
2. 使刀片与绿篱呈平行状态。
3. 从下往上摆动修剪绿篱。

► **图片6**

## 保养

**警告：** 检查和维修本设备前，请关闭电机并取下火花塞帽或电池组。否则刀片或其他部件可能会运行导致严重人身伤害。

**警告：** 处理刀片或在刀片附近工作前，请佩戴防护手套，并装上刀片防护罩。组装或调节期间，手指可能会触碰刀片导致严重伤害。

**警告：** 检查或维护设备时，请始终将篱笆修剪机放下。组装或调节设备时直立放置设备可能导致严重人身伤害。

**警告：** 遵循“重要安全注意事项”章节以及动力机使用说明书中的警告和注意事项。

### 检查刀片

经常检查刀片是否有受损、裂缝或变钝的情况。请联系Makita（牧田）授权的维修服务中心更换受损或变钝的刀片。

### 调节刀片间距

操作后上部/下部刀片会逐渐磨损。如果刀片锋利但切割不顺畅，请调节间距如下。

六角螺栓的紧固程度决定刀片之间的间距。螺母为六角螺栓提供一定的紧固力。间距过疏会导致切割不顺畅，而间距过密则会导致产生不必要的热量，加快了刀片的磨损。

1. 用扳手松开螺母。
2. 轻轻紧固六角螺栓直至其停止。然后，将其拧松四分之一圈至半圈来获取必要的间距。
3. 稳住六角螺栓紧固螺母。
4. 在刀片的摩擦面涂抹低粘度油。
5. 启动电机并对油门进行一分钟的开启和关闭操作。
6. 测算松开油门后直到刀片停止的必要时间。如果为两秒或以上，请关闭电机，然后重复步骤1至6。
7. 关闭电机，触摸刀片表面。如果刀片未感觉烫手，说明调节合理。如果感觉烫手，请稍稍松开六角螺栓，然后重复步骤5至7。

► **图片7：** 1. 螺母 2. 六角螺栓 3. 板 4. 锯片保护罩 5. 上部锯片 6. 下部锯片

### 润滑移动部件

**注意：** 按照润滑脂的频率和用量说明添加润滑脂。否则润滑不充分会导致移动部件受损。

► **图片8**

### 齿轮箱：

每隔25个工作小时添加一次润滑脂。

1. 润滑孔位于螺栓下方。拆下螺栓进行润滑。
2. 添加约5 g (7 cc)的润滑脂至润滑孔。
3. 润滑后还原螺栓。

► **图片9：** 1. 润滑孔

**注：** 添加正确量的润滑脂后，首次操作时润滑脂会从刀片的基座中渗漏少许。

### 驱动轴：

每隔25个工作小时添加一次润滑脂。

### 整机检查

- 紧固松开的螺栓、螺母和螺丝。
- 检查零件和刀片是否受损。如需更换，请联系Makita（牧田）授权的维修服务中心进行更换。

## 存放

**警告：** 遵循“重要安全注意事项”章节以及动力机使用说明书中的警告和注意事项。

分开存放高枝绿篱机刀头总成和动力机时，请盖住轴末端的封盖。

► 图片10

## 维修保养间隔

		操作前	日常维护（10小时）	25小时	如有必要
整体装置	目测检查是否有部件受损	○	-	-	-
所有起固定作用的螺钉和螺母	拧紧	○	-	-	-
刀片	检查受损、裂缝和变钝情况	-	○	-	-
	调节间距	-	-	-	○
齿轮箱	添加润滑脂	-	-	○	-
驱动轴	添加润滑脂	-	-	○	-
动力机	请参阅动力机的使用说明书				

## 故障排除

异常状态	可能原因（故障）	纠正措施
电机无法启动。	请参阅动力机的使用说明书。	请参阅动力机的使用说明书。
电机启动后马上停止。	请参阅动力机的使用说明书。	请参阅动力机的使用说明书。
超过最大速度限制。	请参阅动力机的使用说明书。	请参阅动力机的使用说明书。
刀片无法移动。 ⇒ 立即停止电机！	切割装置的角度不正确。	请确保角度锁正确啮合。
刀片无法移动。 ⇒ 立即停止电机！	刀片被小枝卡住。	清除异物。
刀片无法移动。 ⇒ 立即停止电机！	驱动系统未正常工作。	请联系Makita（牧田）授权的维修服务中心进行检查和修理。
装置异常振动。 ⇒ 立即停止电机！	驱动系统未正常工作。	请联系Makita（牧田）授权的维修服务中心进行检查和修理。
刀片无法停止。 ⇒ 立即停止电机！	动力机未正常工作。	请参阅动力机的使用说明书。

## 选购附件

**小心：** 这些附件或装置专用于本说明书所列的Makita（牧田）电动工具。如使用其他厂牌附件或装置，可能导致人身伤害。仅可将附件或装置用于规定目的。

如您需要了解更多关于这些选购附件的信息，请咨询当地的Makita（牧田）维修服务中心。

- 刀片组

**注：** 本列表中的一些部件可能作为标准配件包含于工具包装内。它们可能因销往国家之不同而异。

## 規格

型號：	EN410MP
尺寸(長 × 寬 × 高)	1,104 x 85 x 61 (43-1/2" x 3-3/8" x 2-3/8")
淨重	2.0 kg(4.5 lbs)
有效切割長度	490 mm(19-1/4")
齒輪比率	1 : 4.7

- 生產者保留變更規格不另行通知之權利。
- 規格可能因銷往國家之不同而異。

### 認可的動力裝置

**警告：**切勿將本組件和未經認可的動力裝置組合使用。未經認可的組合可能會造成嚴重的傷害。

該組件僅可與以下認可的動力裝置組合使用：

- (多功能動力機)  
EX2650LH
- (充電式多功能動力機)  
BUX360, BUX361, BUX362, UX360D, UX361D, UX362D, DUX60, XUX01

### 認可附件

**警告：**切勿使用未經認可的附件。未經認可的組合可能會造成嚴重的傷害。

該組件僅可與以下認可的附件組合使用：

- (延伸軸桿)  
E400MP

### 符號

以下顯示本設備使用的符號。在使用工具前請務必理解其含義。



閱讀並遵循使用說明書。



特別小心和注意。



禁止!



留意電氣線路。存在觸電風險。



小心夾手。



佩帶保護手套。



請佩帶保護頭盔、護目鏡和護耳罩!



穿著具有防滑底的結實靴。



確保工具的15 m範圍內無旁觀者或動物。



確保操作區域沒有人員和寵物。



急救

### 用途

該組件用於修剪灌木或樹籬，需與動力裝置組合使用。切勿將該組件用於他用。不正當使用該組件可能造成嚴重的人身傷害。

## 安全警告

### 重要安全須知

**警告：**閱讀本手冊和動力裝置說明書中的所有警告和說明。未按照以下列舉的警告和安全事項而使用或操作可能導致觸電、火災和/或嚴重傷害。

**警告：**妥善保存所有的警告和安全事項說明以備將來參考。

警告和注意事項中的術語“樹籬剪”和“設備”是指該組件和動力裝置的組合。

警告和注意事項中的術語“電機”是指動力裝置的引擎或電機。

### 一般注意事項

1. 啟動樹籬剪之前，請閱讀本手冊和動力機的使用說明書，熟悉樹籬剪的操作處理。
2. 請勿將本裝置借給不熟悉樹籬剪操作方法的人員使用。
3. 借出本裝置時，請務必附上本使用說明書。
4. 切勿允許兒童或未滿18歲的少年使用樹籬剪。使樹籬剪與他們保持距離。
5. 使用樹籬剪時務必特別小心和注意。
6. 切勿在飲酒、服藥或身體不適、疲勞的情況下使用樹籬剪。
7. 切勿嘗試改裝本裝置。
8. 按照貴國家關於樹籬剪的規定進行操作。

### 安全裝置

#### ► 圖片1

1. 佩帶安全頭盔、保護眼鏡和保護手套以防止受到飛濺碎片或下落物體的傷害。
2. 佩帶耳罩等護耳裝置以防止聽力受損。
3. 穿著合適的衣服及鞋子以確保安全操作，如工作服及結實的防滑鞋。不要穿寬鬆衣服或佩帶飾品。寬鬆衣服、佩帶或長發易卷入運動部件。
4. 接觸刀片或調節刀片角度時，請佩戴防護手套。否則刀片可能會嚴重傷及手部。

### 工作場地安全

**警告：**使樹籬剪遠離電氣線路和通信電纜。樹籬剪接觸或靠近高壓線會導致死亡或嚴重人身傷害。開始操作前，請檢查工作區域的電氣線路和帶電圍欄。

**警告：**使用本產品可能會擊起含有化學物質的粉塵，這可能會導致呼吸困難或其他疾病。例如，這些化學物質可能含有殺蟲劑、肥料和除草劑。暴露於此類物質的傷害程度取決於您做該類工作的頻度。為降低您暴露於此類化學物質的程度：請在通風良好的區域進行作業並使用經認可的安全裝置，如特別設計用於過濾細微顆粒的防塵面罩。

1. 僅在立足穩固且光線充足的條件下操作樹籬剪。請勿在昏暗或模糊的條件下操作樹籬剪。

- 僅可在通風良好的戶外條件下啟動和操作引擎。在狹小封閉或通風條件差的環境下操作會導致人體因缺氧和一氧化碳中毒而死亡。
- 操作期間，切勿立足於不穩固、打滑或陡坡上。在冬季，要注意冰雪並確保立足穩固。
- 操作期間，確保樹籬剪的15 m範圍內無旁觀者或動物。若有他人靠近，請立即停止電機。
- 操作之前，請檢查作業區域是否有鐵絲柵欄、石塊或其他堅硬物體。此類物體會損傷刀片。

## 啟動工具

- 組裝和調節本設備前，請關閉電機並取下火花塞帽或電池組。
- 組裝刀片或調節切割角度前，請佩戴保護手套。
- 啟動電機前，請檢查是否有設備受損、螺絲/螺母鬆開或裝配錯誤等異常。請更換有裂縫、彎折或受損的刀片。檢查所有控制桿和開關，確保其可操作自如。清潔並乾燥手柄。
- 切勿嘗試啟動受損或未完全裝配的設備。否則，可能會造成嚴重的人身傷害。
- 調整肩帶和手柄，使其適合操作者。

## 操作

- 出現緊急情況時，請立即關閉電機。
  - 如果操作期間察覺到任何異常（如，噪音、振動），請關閉電機。在未查出並解除故障原因前，請勿使用樹籬剪。
  - 鬆開油門扳機或關閉電機後刀片會在短時間內繼續移動。切勿急於接觸刀片。
  - 當引擎僅怠速運行時安裝肩帶。
  - 操作時，請使用肩帶。將樹籬剪牢固置於右手側。
- **圖片2**
- 無論您習慣使用左手還是右手，請都用左手握住前把手，右手握住後把手。五指握住把手。
  - 切勿嘗試單手操作本設備。失控會導致嚴重或致命傷害。為降低人身傷害風險，請使手和腳都遠離刀片。
  - 操作時手不要伸得太長。使用時請雙腳站穩，時刻保持平衡。注意樹株、樹根和壕溝等不明顯的障礙物以避免絆倒。請清理掉落的樹枝等其他物體。
  - 切勿在梯子或樹上作業，以避免失控。
  - 切勿將機器提到肩膀的高度進行操作。
  - 操作期間，切勿使刀片觸碰堅硬物體的表面，例如石頭或金屬。在鐵絲柵欄周圍或附近進行切割時應特別小心。在離地面較近的位置操作時，確保刀片不會碰到沙子、砂石和石頭。
  - 如果刀片碰到石頭或其他堅硬物體，請立即停止電機，並在移除火花塞帽或電池組後檢查刀片是否受損。如果刀片有任何損傷，請予以更換。
  - 如果刀片被粗樹枝卡住，請立即關閉電機，放下樹籬剪，並在移除火花塞帽或電池組後清除障礙物。再次使用設備前請檢查刀片是否受損。
  - 切勿觸摸或靠近運行中的刀片。刀片可以輕易割傷手指。處理刀片或調節刀片角度時，請關閉電機並取下火花塞帽或電池組。
  - 刀片受阻時，如果增大負載加速電機則會導致電機和/或離合器受損。
  - 操作期間，請時常檢查切割裝置是否有裂縫或變鈍。檢查前，請關閉電機並等待刀片完全停止。立即更換受損或變鈍的刀片，即便其僅是表面受損。
  - 如果設備受到重擊或跌落，請在繼續使用前進行檢查。檢查燃料系統是否存在燃料洩露，控制和 safety 裝置是否存在故障。如果有任何損壞或疑問，請將其交由授權維修服務中心進行檢查和維修。
  - 不可觸摸齒輪箱。操作期間，齒輪箱會發燙。
  - 使工具休息一段時間以避免因過度使用而失控。建議每小時休息10到20分鐘。
  - 離開設備時，即便是短時離開，也務必關閉引擎或取出電池組。無人照看引擎正在運行的設備時可能會被未授權人員使用並造成嚴重事故。
  - 切割前，完全扣動油門拉桿以獲得最大速度。
  - 按照動力裝置的使用說明書合理使用控制拉桿和開關。
  - 操作期間或操作結束後，請勿將發熱的設備放在乾草或易燃物體上。

## 搬運

- 搬運本設備前，請關閉電機並取下火花塞帽或電池組。搬運期間需始終安裝刀片保護罩。
- 搬運設備時，請透過抓握軸部分水平搬運。身體遠離發熱的消音器。
- 使用車輛運輸本設備時，請妥當固定以避免翻轉。否則可能會造成燃料洩露損壞工具或其它行李。

## 保養

- 對工具進行任何保養、維修或清潔工作前，請務必關閉電機並取下火花塞帽或電池組。等待電機冷卻。
- 為降低火災風險，切勿在火源附近維修設備。
- 處理刀片時，請務必佩戴保護手套。
- 務必清除設備上的灰塵及塵垢。切勿使用汽油、苯、稀釋劑、酒精或類似物品清潔工具。否則可能會導致塑料零件變色、變形或出現裂縫。
- 每次使用完畢後，請緊固所有螺絲和螺母，化油器調節螺絲除外。
- 保持切割工具的鋒利。如果刀片變鈍且切割能力下降，請聯繫Makita（牧田）授權的維修服務中心更換刀片。
- 切勿通過矯正或焊接的方式修復彎折或受損的刀片。可能會導致刀片的碎片脫離，造成嚴重人身傷害。請聯絡當地的Makita（牧田）授權維修服務中心更換原裝刀片。
- 請勿嘗試進行本手冊或動力裝置使用說明書中未介紹的任何保養或維修。將此類工作交由牧田授權的維修服務中心執行。
- 務必僅使用Makita（牧田）原裝正品備件和附件。使用第三方供應的零件或附件可能會導致設備破損、財產損失和/或嚴重傷害。
- 定期將樹籬剪交由牧田授權的維修中心進行檢查和保養。

## 存放

- 存放設備前，請進行徹底清潔和保養。安裝刀片保護罩。
- 將設備存放在兒童接觸不到的乾燥高處或加鎖位置。
- 請勿將設備倚靠在牆壁等物體上。否則樹籬剪可能會突然跌落並造成傷害。

## 急救

- 務必在近旁備有急救套件。立即補充從急救套件中取用的任何物品。
- 請求幫助時，請提供以下資訊：
  - 事故發生位置
  - 發甚麼事故
  - 受傷人數
  - 受傷狀況
  - 您的名稱

## 部件說明

### ► 圖片3

1	刀片	2	齒輪箱	3	蓋子	4	鋸片罩
---	----	---	-----	---	----	---	-----

## 裝配

**警告：** 組裝和調節本設備前，請關閉電機並取下火花塞帽或電池組。否則刀片或其他部件可能會運行造成嚴重人身傷害。

**警告：** 處理刀片或在刀片附近工作前，請佩戴防護手套，並裝上刀片防護罩。否則，刀片可能會嚴重傷及手部。

**警告：** 組裝或調節設備時，請始終將其放下。組裝或調節設備時直立放置設備可能造成嚴重人身傷害。

**警告：** 遵循“安全注意事項”章節以及動力裝置使用說明書中的警告和注意事項。

### 安裝該裝置至動力裝置

安裝該裝置至動力裝置時，請遵循以下步驟。

- 請確保鎖定桿未緊固。
- 將銷與箭頭標志對齊。

3. 將軸插入動力裝置的驅動軸直到達到位置線，且釋放按鈕彈出。

4. 如圖所示緊固鎖定桿。

拆下裝置時，請反方向轉動鎖定桿將其擰鬆，按下鎖定按鈕並抽出軸。

► 圖片4: 1. 鎖定桿 2. 銷 3. 箭頭標誌 4. 位置線 5. 釋放按鈕

**注意：**請勿在未插入裝置的軸的情況下緊固鎖定桿。否則鎖定桿可能會緊固驅動軸的入口並損壞驅動軸。

## 操作

**警告：**如果刀片在怠速時移動，請降低引擎的怠速速度。否則關閉油門時無法停止刀片，可能會造成嚴重傷害。

**警告：**遵循“重要安全注意事項”章節以及動力裝置使用說明書中的警告和注意事項。

## 水平切割

水平位置修剪綠籬時，請遵循以下步驟。

1. 完全拉開油門拉桿。
2. 使刀片與綠籬呈15°至30°的斜角。
3. 左右擺動修剪綠籬。

► 圖片5

## 垂直切割

垂直位置修剪綠籬時，請遵循以下步驟。

1. 完全拉開油門拉桿。
2. 使刀片與綠籬呈平行狀態。
3. 從下往上擺動修剪綠籬。

► 圖片6

## 保養

**警告：**檢查和維護本設備前，請關閉電機並取下火花塞帽或電池組。否則刀片或其他部件可能會運行造成嚴重人身傷害。

**警告：**處理刀片或在刀片附近工作前，請佩戴防護手套，並裝上刀片防護罩。組裝或調節期間，手指可能會觸碰刀片導致嚴重傷害。

**警告：**檢查或維護設備時，請始終將樹籬剪放下。組裝或調節設備時直立放置設備可能造成嚴重人身傷害。

**警告：**遵循“重要安全注意事項”章節以及動力裝置使用說明書中的警告和注意事項。

## 檢查刀片

經常檢查刀片是否有受損、裂縫或變鈍的情況。請聯繫Makita（牧田）授權的維修服務中心更換受損或變鈍的刀片。

## 維修保養間隔

		操作前	日常維護（10小時）	25小時	如有必要
整體裝置	目測檢查是否有部件受損	○	-	-	-
所有起固定作用的螺釘和螺母	擰緊	○	-	-	-
刀片	檢查受損、裂縫和變鈍情況	-	○	-	-
	調節間距	-	-	-	○
齒輪箱	添加潤滑脂	-	-	○	-
驅動軸	添加潤滑脂	-	-	○	-
動力裝置	請參閱動力裝置的使用說明書				

## 調節刀片間距

操作後上部/下部刀片會逐漸磨損。如果刀片鋒利但切割不順暢，請調節間距如下。

六角螺栓的緊固程度決定刀片之間的間距。螺母為六角螺栓提供一定的緊固力。間距過疏會導致切割不順暢，而間距過密則會導致產生不必要的熱量，加快了刀片的磨損。

1. 用扳手鬆開螺母。
2. 輕輕緊固六角螺栓直至其停止。然後，將其擰松四分之一圈至半圈來獲取必要的間距。
3. 穩住六角螺栓緊固螺母。
4. 在刀片的摩擦面塗抹低粘度油。
5. 啟動電機並對油門進行一分鐘的開啟和關閉操作。
6. 測算鬆開油門後直到刀片停止的必要時間。如果為兩秒或以上，請關閉電機，然後重複步驟1至6。
7. 關閉電機，觸摸刀片表面。如果刀片未感覺燙手，說明調節合理。如果感覺燙手，請稍稍鬆開六角螺栓，然後重複步驟5至7。

► 圖片7: 1. 螺母 2. 六角螺栓 3. 板 4. 鋸片保護罩 5. 上刀片 6. 下刀片

## 潤滑移動部件

**注意：**按照潤滑脂的頻率和用量說明添加潤滑脂。否則潤滑不充分會導致移動部件受損。

► 圖片8

## 齒輪箱：

每隔25個工作小時添加一次潤滑脂。

1. 潤滑孔位於螺栓下方。拆下螺栓進行潤滑。
2. 添加5 g（7 cc）的潤滑脂至潤滑孔。
3. 潤滑後還原螺栓。

► 圖片9: 1. 潤滑孔

**注：**添加正確量的潤滑脂後，首次操作時潤滑脂會從刀片的基座中滲漏少許。

## 驅動軸：

每隔25個工作小時添加一次潤滑脂。

## 整機檢查

- 緊固鬆開的螺栓、螺母和螺絲。
- 檢查零件和刀片是否受損。如需更換，請聯繫Makita（牧田）授權的維修服務中心進行更換。

## 存放

**警告：**遵循“重要安全注意事項”章節以及動力裝置使用說明書中的警告和注意事項。

分開存放樹籬剪和動力裝置時，請蓋住軸末端的封蓋。

► 圖片10



## 故障排除

異常狀態	可能原因（故障）	糾正措施
電機無法啟動。	請參閱動力裝置的使用說明書。	請參閱動力裝置的使用說明書。
電機啟動後馬上停止。	請參閱動力裝置的使用說明書。	請參閱動力裝置的使用說明書。
超過最大速度限制。	請參閱動力裝置的使用說明書。	請參閱動力裝置的使用說明書。
刀片無法移動。 ⇒ 立即停止電機！	切割裝置的角度不正確。	請確保角度鎖正確嚙合。
刀片無法移動。 ⇒ 立即停止電機！	刀片被小枝卡住。	清除異物。
刀片無法移動。 ⇒ 立即停止電機！	驅動系統未正常工作。	請聯繫Makita（牧田）授權的維修服務中心進行檢查和修理。
裝置異常振動。 ⇒ 立即停止電機！	驅動系統未正常工作。	請聯繫Makita（牧田）授權的維修服務中心進行檢查和修理。
刀片無法停止。 ⇒ 立即停止電機！	動力裝置未正常工作。	請參閱動力裝置的使用說明書。

## 選購附件

**⚠小心：** 這些附件或裝置專用於本說明書所列的Makita（牧田）電動工具。如使用其他廠牌附件或裝置，可能導致傷人的危險。僅可將選購附件或裝置用於規定目的。

如您需要瞭解更多關於這些選購附件的信息，請諮詢當地的Makita（牧田）維修服務中心。

- 刀片組

**注：** 本列表中的一些部件可能作為標準配件包含於工具包裝內。規格可能因銷往國家之不同而異。

## 사양

모델:	EN410MP
치수(L x W x H)	1,104 x 85 x 61(43-1/2" x 3-3/8" x 2-3/8" )
중량	2.0kg(4.5lbs)
유효 절단 길이	490mm(19-1/4" )
기어비	1: 4.7

- 지속적인 연구, 개발로 인해 여기에 기재된 사양은 예고 없이 변경될 수 있습니다.
- 사양은 국가별로 상이할 수 있습니다.

## 승인된 동력 장치

**⚠경고:** 본 부착기기를 승인되지 않은 동력 장치와 사용하지 마십시오. 승인되지 않은 조합은 심각한 부상의 원인이 될 수 있습니다.

본 부착기기는 다음의 동력 장치와 사용하는 것만이 승인되었습니다.

- (다목적 예초기)  
EX2650LH
- (충전 다목적 예초기)  
BUX360, BUX361, BUX362, UX360D, UX361D, UX362D, DUX60, XUX01

## 승인된 부착기기

**⚠경고:** 승인되지 않은 부착기기는 사용하지 마십시오. 승인되지 않은 조합은 심각한 부상의 원인이 될 수 있습니다.

본 부착기기는 다음의 부착기기에 사용하는 것만 승인되었습니다.

- (분리형 예초기대)  
LE400MP

## 기호

다음은 본 공구에 사용된 기호를 나타냅니다. 사용하시기 전에 그 의미를 숙지하여 주십시오.

	취급 설명서를 읽고 따라 주십시오.
	특별히 주의하여 주십시오!
	금지!
	전기 선에 주의하십시오. 감전의 위험이 있습니다.
	손이 끼는 것을 주의하십시오.
	보호 장갑을 착용하여 주십시오.
	안전모, 보안경과 귀마개를 착용하여 주십시오.
	미끄럼 방지 밑창이 부착된 단단한 부츠를 신어 주십시오.
	사람이나 동물이 동력 공구에서 15m 이상 떨어져 있도록 하십시오.
	작업 지역에 사람이나 동물 접근 금지.
	구급약

## 용도

본 기기는 승인된 동력 장치에 부착하여 나무와 울타리를 손질하는 용도로만 사용할 수 있도록 설계되었습니다. 다른 용도로는 사용하지 마십시오. 본 부착기기를 남용할 경우 심각한 상해를 야기할 수 있습니다.

## 안전 경고

### 중요한 안전 규칙

**⚠경고:** 본 설명서의 모든 안전 경고와 사용설명 및 전동 공구의 취급 설명서를 읽어 주십시오. 경고와 사용설명을 따르지 않으면 감전, 화재 또는 상해의 원인이 됩니다.

**⚠경고:** 본 경고와 취급 설명서를 잘 보관하여 주십시오.

경고와 주의사항에 언급된 '헤지트리머' 와 '장비' 는 동력 장치와 부착기기의 조합을 의미합니다. 경고와 주의사항에 언급된 '모터' 는 동력 장치의 엔진 또는 전기 모터를 의미합니다.

### 일반 주의사항

1. 헤지트리머를 기동하기 전에 본 설명서와 동력 장치의 취급 설명서를 읽고 헤지트리머의 취급 방법을 숙지하십시오.
2. 헤지트리머의 취급에 관한 경험이나 지식이 부족한 사람에게 본 부착기기를 빌려주지 마십시오.
3. 부착기기를 빌려줄 때는 항상 이 취급 설명서를 함께 전달하십시오.
4. 어린이나 18세 이하의 청소년에게 헤지트리머를 사용하게 하지 마십시오. 헤지트리머의 멀리 있게 하십시오.
5. 헤지트리머를 취급할 때 세심한 주의를 기울이고 조심하십시오.
6. 술을 마셨거나, 약을 먹었거나, 피곤하거나, 아픈 경우에는 헤지트리머를 사용하지 마십시오.
7. 부착기기를 개조하려고 하지 마십시오.
8. 헤지트리머의 취급에 관한 국내 법규를 준수하십시오.

### 개인 보호 장비

#### ▶ 그림 1

1. 안전모, 보호 안경 및 보호 장갑을 착용하여 파편이 튀거나 물체가 떨어질 때 다치지 않도록 자신을 보호하십시오.
2. 귀마개 같은 청각 보호 장비를 착용하여 청력 상실을 예방하십시오.
3. 전신 작업복과 튼튼한 미끄럼 방지 신발 같은 올바른 복장과 신발을 착용하여 안전하게 작업하십시오. 헐렁한 옷이나 장신구를 착용하지 마십시오. 헐렁한 의류, 장신구 또는 긴 머리카락은 회전부에 빨려 들어갈 수 있습니다.
4. 날을 만지거나 날 각도를 조절할 때는 보호 장갑을 꺼야 합니다. 날이 맨손에 닿으면 심하게 다칠 수 있습니다.

### 작업장의 안전

**⚠경고:** 헤지트리머를 전기 선이나 통신 케이블에서 멀리하십시오. 헤지트리머로 고전압 선에 닿거나 근접하면 사망하거나 심각한 상해를 입을 수 있습니다. 작업을 시작하기 전에 작업할 곳 주변에 동력 선이나 전기 울타리가 있는지 확인하십시오.

**⚠경고:** 이 제품을 사용할 때는 호흡기 질환이나 기타 질병을 초래할 수 있는 화학 물질이 함유된 먼지가 발생할 수 있습니다. 이런 화학 물질의 예로는 농약, 살충제, 비료 및 제조업체에 함유된 화학물이 있습니다. 이러한 물질에 노출됨으로부터 발생하는 위험은 이러한 종류의 일을 얼마나 자주 하느냐에 따라 다릅니다. 이러한 화학물질에 대한 노출을 줄이려면, 환기가 잘 되는 곳에서 작업하고, 미세 분자를 거르도록 특별히 고안된 방진 마스크와 같이 승인된 안전 장비를 갖추고 작업하여 주십시오.

1. 헤지트리머를 가시성이 좋은 환경에서 주간에만 사용하십시오. 헤지트리머를 어둡거나 안개 낀 곳에서 사용하지 마십시오.

2. 환기가 잘 되는 실외에서만 엔진을 시동하고 작동하십시오. 밀폐되거나 환기가 잘 안 되는 곳에서 작동하면 질식이나 일산화탄소 중독으로 인한 사망의 원인이 될 수 있습니다.
3. 불안정하거나 미끄러운 표면 위나 경사가 심한 곳에 서서 작업하지 마십시오. 추운 계절에는 얼음과 눈에 주의하고 발이 항상 안정적으로 고정되도록 하십시오.
4. 사용 중에는 사람이나 동물이 항상 헤지트리머에서 15m 이상 떨어져 있도록 하십시오. 접근하는 사람이 있으면 즉시 모터를 멈추십시오.
5. 사용 전에는 작업 구역에 철사 울타리, 돌이나 기타 단단한 물체가 없는지 확인하십시오. 이것들로 인해 날이 손상될 수 있습니다.

## 가동

1. 장비를 조립하거나 조정하기 전에 모터의 스위치를 끄고 점화 플러그 캡 또는 배터리 카트리지를 제거해 주십시오.
2. 날을 조립하거나 절단 각도를 조절할 때는 보호 장갑을 착용하십시오.
3. 모터를 기동하기 전에 장비에 손상된 부분이나 느슨하게 풀린 나사나 너트가 있거나 장비가 잘못 조립되어 있지 않은지 확인하십시오. 날에 균열이 있거나 구부러졌거나 손상된 경우는 교체하십시오. 모든 조종 레버와 스위치의 조작에 문제가 없는지 확인하십시오. 핸들을 닦고 말리십시오.
4. 장비가 손상되었거나 완전히 조립되지 않은 경우 모터를 기동하지 마십시오. 그렇지 않으면 심각한 부상의 원인이 될 수 있습니다.
5. 어깨끈과 핸드 그립을 작업자의 신체 크기에 맞게 조절하십시오.

## 작동

1. 비상시에는 모터의 스위치를 즉시 끄십시오.
2. 작동 중에 이상(예: 소음, 진동)이 감지되면 모터의 스위치를 끄십시오. 원인을 파악하고 해결할 때까지 헤지트리머를 사용하지 마십시오.
3. 조절판 트리거를 놓거나 모터 스위치를 끈 후에도 날은 잠시 동안 계속 움직입니다. 성급하게 날을 만지지 마십시오.
4. 엔진이 공회전으로 작동하는 상태에서 먼저 어깨 벨트를 장착하십시오.
5. 작동 중에 어깨 벨트를 사용하십시오. 헤지트리머를 몸 오른쪽에 단단히 매서 많이 움직이지 않게 하십시오.

### ▶ 그림 2

6. 오른손잡이와 왼손잡이와 관계없이 왼손으로 전면 핸들을 그리고 오른손으로 후면 그립을 잡습니다. 엄지와 나머지 손가락으로 핸들을 감쌉니다.
7. 한 손으로 공구를 조작하지 마십시오. 통제력을 잃으면 심각한 치명적인 상해를 당할 수 있습니다. 절단으로 인한 부상의 위험을 줄이려면 손과 발을 날에 가까이 대지 마십시오.
8. 무리한 자세로 작업하지 마십시오. 항상 양발을 고정시켜 균형을 유지하여 주십시오. 나무의 그루터기, 뿌리나 도랑처럼 보이지 않는 장애물이 없는지 살펴보고 넘어지지 않도록 주의하십시오. 떨어진 가지나 다른 장애물을 제거하십시오.
9. 통제력을 잃을 수 있으므로 사다리나 나무 위에서 작업하지 마십시오.
10. 어깨높이보다 높이 장비를 들어 올리지 마십시오.
11. 날이 작동 중에 돌이나 금속 같은 단단한 장애물에 부딪히지 않게 하십시오. 철사 울타리를 향해서 또는 근처에서 생울타리를 다듬을 때는 특히 주의를 기울이십시오. 땅바닥에 근접해서 작업할 때는 모래, 자갈 또는 돌이 날 사이에 끼었는지 확인합니다.
12. 날이 돌이나 기타 단단한 물체와 부딪힌 경우, 즉시 모터를 멈추고 점화 플러그 캡 또는 배터리 카트리지를 제거한 후 날의 손상을 점검하십시오. 손상이 있으면 날을 교체하십시오.
13. 두꺼운 가지가 날에 낀 경우는 즉시 모터의 스위치를 끄고 헤지트리머를 바닥에 놓은 다음 점화 플러그 캡 또는 배터리 카트리지를 뺀 후 그 가지를 제거합니다. 장비를 다시 사용하기 전에 날에 손상이 있는지 확인합니다.
14. 날이 움직이고 있을 때는 만지거나 가까이하지 마십시오. 날에 간단히 손가락을 절단될 수 있습니다. 날을 조작하거나 날 각도를 조정할 때는 모터를 정지하고 점화 플러그 캡 또는 배터리 카트리지를 제거해 주십시오.
15. 날이 움직일 수 없는 상태로 모터를 가속하면 부하가 증가하고 모터 및/또는 클러치에 손상을 줄 수 있습니다.
16. 작동 중에 절단 날에 균열이나 무더진 가장자리를 확인하십시오. 점검하기 전에 모터 스위치를 끄고 날이 완전히 정지할 때까지 기다립니다. 손상되거나 무더진 날은 피상적인 균열만 있는 경우에도 즉시 교체하십시오.
17. 공구에 과도한 충격을 가했거나 떨어뜨렸을 때는 계속 사용하기 전에 상태를 점검하여 주십시오. 연료가 쉼 수 있으니 연료 시스템을 점검하고 고장에 대비해 공구의 제어 및 안전을 점검하여 주십시오. 의심 가는 점이나 손상이 있으면 마끼다 공인 서비스 센터에 점검과 수리를 의뢰하십시오.
18. 기어 케이스를 만지지 마십시오. 기어 케이스는 작동 중에 뜨거워 집니다.
19. 피로로 인해 제어력을 잃지 않도록 휴식을 취하십시오. 1시간마다 10~20분 정도 휴식을 취하는 것이 좋습니다.

20. 장비를 사람이 없는 곳에 놔둘 때는 잠시 동안이라도 엔진의 스위치를 끄거나 배터리 카트리지를 항상 분리하십시오. 엔진이 작동하는 장비를 사람이 없는 곳에 두면 무허가자가 사용하다가 심각한 사고가 발생할 수 있습니다.
21. 절단 전에 조절판 레버를 최대한 당겨서 최대 속도로 만듭니다.
22. 제어 레버와 스위치의 적절한 사용을 위해 동력 장치의 취급 설명서를 따라 주십시오.
23. 작동 중 또는 후에 뜨거운 장비를 마른 풀이나 가연성 물질 위에 놓아두지 마십시오.

## 운반

1. 공구를 운반하기 전에 모터의 스위치를 끄고 점화 플러그 캡 또는 배터리 카트리지를 제거해 주십시오. 운반 중에는 항상 날 커버를 씌웁니다.
2. 장비를 운반할 때는 샤프트를 잡고 수평 상태로 운반합니다. 뜨거운 머플러는 작업자의 몸에서 거리를 둡니다.
3. 장비를 차에 실어서 운반할 때는 확실하게 고정하여 뒤집히는 것을 방지합니다. 그렇지 않으면 연료가 새서 장비에 손상을 주거나 다른 문제가 발생할 수 있습니다.

## 유지 보수

1. 장비를 보수하거나 수리 또는 청소하기 전에 항상 모터의 스위치를 끄고 점화 플러그 캡 또는 배터리 카트리지를 제거해 주십시오. 모터가 식을 때까지 기다리십시오.
2. 화재의 위험을 줄이기 위해 불 주변에서 장비를 정비하지 마십시오.
3. 날을 취급할 때는 반드시 보호 장갑을 착용하여 주십시오.
4. 항상 먼지를 제거하고 오물을 닦아내십시오. 그런 목적으로 휘발유, 벤진, 시너, 알코올 등은 사용하지 마십시오. 플라스틱 부품의 변색, 변형 또는 균열의 원인이 될 수 있습니다.
5. 매번 사용 후 카뷰테러 조정 나사를 제외한 모든 나사와 너트를 조여 주십시오.
6. 절단 공구를 날카롭게 유지하십시오. 만약 절단 날이 무더져서 절단 성능이 저하된 경우 마끼다 공인 서비스 센터에 날의 연마를 의뢰하십시오.
7. 절대로 구부러졌거나 부러진 날을 펴거나 용접하여 수리하지 마십시오. 날 일부가 떨어져 나갈 수 있어 심각한 상해의 원인이 될 수 있습니다. 저희 공인 서비스 센터에 연락하여 마끼다 순정 날로 교체하십시오.
8. 이 설명서나 동력 장치의 취급 설명서에 명시되지 않은 유지 보수 작업을 수행해서는 안 됩니다. 그런 작업은 마끼다 공인 서비스 센터에 의뢰하여 주십시오.
9. 항상 마끼다의 순정 부품과 부속품만 사용하십시오. 타사에서 만든 부품이나 부속품을 사용할 경우 기기가 고장이 나거나 재산상의 손실 또는 심각한 부상을 입을 수 있습니다.
10. 정기적으로 마끼다 공인 서비스 센터에 헤지트리머의 점검 및 유지 보수를 의뢰하십시오.

## 보관

1. 장비를 보관하기 전에 전체적인 청소와 유지 보수를 실행하십시오. 날 커버를 장착합니다.
2. 장비는 아이들의 손이 닿지 않는 높거나 잠금 장치가 되어 있는 건조한 곳에 보관하여 주십시오.
3. 장비를 예를 들어 벽과 같은 것에 기대어 놓지 마십시오. 그렇지 않으면 헤지트리머가 떨어져서 상해를 입을 수 있습니다.

## 구급약

1. 구급상자를 항상 가까운 곳에 두십시오. 구급상자에서 사용한 물품은 즉시 보충하여 주십시오.
2. 도움을 요청할 때는 다음 정보를 알려 주십시오.
  - 사고 장소
  - 발생한 사고 내역
  - 부상당한 사람 수
  - 부상의 종류
  - 자신의 이름

## 각부 명칭

### ▶ 그림 3

1	날	2	기어 케이스	3	뚜껑	4	날 커버
---	---	---	--------	---	----	---	------

## 조립

⚠경고: 장비를 조립하거나 조정하기 전에 모터의 스위치를 끄고 정화 플러그 캡 또는 배터리 카트리지를 제거해 주십시오. 그렇지 않으면 날 또는 다른 부분이 움직여서 심각한 상해를 입을 수 있습니다.

⚠경고: 날 주변의 조작이나 작업을 하기 전에 보호 장갑을 착용하고 날 위에 날 커버를 씌우십시오. 그렇지 않으면 날이 맨손에 닿아 심하게 다칠 수 있습니다.

⚠경고: 장비를 조립하거나 조정할 때는 항상 장비를 바닥에 내려놓습니다. 똑바로 세워서 조립이나 조정을 하면 심각한 부상의 원인이 될 수 있습니다.

⚠경고: '안전상의 기본 수칙' 장과 동력 장치 취급 설명서의 경고 및 주의사항을 따라 주십시오.

## 동력 장치에 부착하기 장착

다음과 같은 순서로 동력 장치에 부착기기를 장착하여 주십시오.

1. 잠금 레버가 조여져 있지 않은 것을 확인합니다.
2. 핀과 화살표 표시를 맞춥니다.
3. 위치 선까지 샤프트를 동력 장치의 드라이브 샤프트에 끼우면 해제 버튼이 튀어나옵니다.
4. 그림과 같이 잠금 레버를 단단히 조입니다.

부착기기를 제거하려면 잠금 레버를 반대 방향으로 돌려 잠금 레버를 풀고 해제 버튼을 누른 후 샤프트를 빼내십시오.

▶ 그림4: 1. 잠금 레버 2. 핀 3. 화살표 표시 4. 위치 선 5. 해제 버튼

유의사항: 기기의 샤프트를 끼우지 않은 상태에서 잠금 레버를 조이지 마십시오. 그렇지 않으면, 잠금 레버가 드라이브 샤프트의 입구를 너무 많이 조여서 손상될 수 있습니다.

## 작동

⚠경고: 공회전 상태에서 날이 움직이면 엔진의 공회전 스피드를 낮추는 조정을 합니다. 그렇지 않으면 조절판 끄기로 날을 멈출 수 없게 되어 심각한 부상의 원인이 될 수 있습니다.

⚠경고: '중요한 안전 규칙' 장과 동력 장치 취급 설명서의 경고 및 주의사항을 따라 주십시오.

## 수평 절단

울타리를 수평으로 다듬을 때는 다음의 순서를 따르십시오.

1. 조절판 레버를 완전히 당깁니다.
  2. 울타리에 15° 에서 30° 각도로 날을 가져다 댁니다.
  3. 오른쪽에서 왼쪽으로 반원을 그리듯이 울타리를 다듬습니다.
- ▶ 그림5

## 수직 절단

울타리를 수직으로 다듬을 때는 다음의 순서를 따르십시오.

1. 조절판 레버를 완전히 당깁니다.
  2. 서로 평행이 되도록 울타리에 날을 가져다 댁니다.
  3. 아래에서 위로 반원을 그리듯이 울타리를 다듬습니다.
- ▶ 그림6

## 유지 보수

⚠경고: 장비를 점검하거나 유지 보수하기 전에 모터의 스위치를 끄고 정화 플러그 캡 또는 배터리 카트리지를 제거해 주십시오. 그렇지 않으면 날 또는 다른 부분이 움직여서 심각한 상해를 입을 수 있습니다.

⚠경고: 날 주변의 조작이나 작업을 하기 전에 보호 장갑을 착용하고 날 위에 날 커버를 씌우십시오. 조립이나 조정을 하는 동안 손가락이 날에 닿으면 심각한 부상의 원인이 될 수 있습니다.

⚠경고: 장비를 점검하거나 유지 보수를 할 때는 항상 헤지트리머를 바닥에 내려놓습니다. 똑바로 세워서 조립이나 조정을 하면 심각한 부상의 원인이 될 수 있습니다.

⚠경고: '중요한 안전 규칙' 장과 동력 장치 취급 설명서의 경고 및 주의사항을 따라 주십시오.

## 날 점검

손상, 균열 및 무더진 가장자리가 없는지 날을 매일 점검합니다. 손상된 날의 교체 또는 무더진 날의 연마는 마끼다 인증 서비스 센터에 의뢰하십시오.

## 날 간격 조정

작업 후에는 상부/하부 날이 점차 마모됩니다. 날을 충분히 연마했음에도 깨끗하게 절단할 수 없으면 다음과 같이 날의 간격을 조정합니다. 육각 볼트의 조임을 통해 날의 간격을 결정할 수 있습니다. 적절하게 조인 육각 볼트를 너트로 고정합니다. 간격이 너무 느슨하면 절단이 잘 안 되고 간격이 너무 꼭 조여지면 불필요하게 열이 발생하거나 날이 빨리 마모되는 원인이 됩니다.

1. 렌치로 너트를 풉니다.
  2. 육각 볼트가 멈출 때까지 가볍게 조입니다. 그리고 한 번에 45도씩 풀면서 적절한 간격을 찾습니다.
  3. 육각 볼트를 고정하고 너트를 조입니다.
  4. 날의 마찰 면에 경유를 바릅니다.
  5. 모터를 기동하고 잠시 동안 조절판을 켜고 끄는 조작을 합니다.
  6. 조절판을 풀고 나서 날이 멈출 때까지 필요한 시간을 측정합니다. 이 시간이 2초 이상일 경우 모터를 끄고 1에서 6단계를 반복합니다.
  7. 모터의 스위치를 끄고 날의 면을 만집니다. 만약 날을 만지기에 너무 뜨겁지 않다면 적절한 조절한 것입니다. 만약 날을 만지기에 너무 뜨겁다면 육각 볼트를 조금 풀고 5에서 7단계를 반복합니다.
- ▶ 그림7: 1. 너트 2. 육각 볼트 3. 플레이트 4. 날 보호 커버 5. 상부 날 6. 하부 날

## 가동 부분 윤활

유의사항: 공급하는 그리스의 양과 빈도에 대해서는 지침을 따르십시오. 그렇지 않으면 윤활이 충분하게 이루어지지 않아 가동 부분이 손상될 수 있습니다.

▶ 그림8

## 기어 케이스:

25시간 작업을 할 때마다 그리스를 바릅니다.

1. 그리스 구멍은 볼트 아래에 있습니다. 급유할 수 있게 나사를 제거합니다.
  2. 약 5 g(7 cc)의 그리스를 그리스 구멍에 넣습니다.
  3. 급유 후에 볼트를 다시 넣습니다.
- ▶ 그림9: 1. 그리스 구멍

참고: 적정량의 그리스를 채우면 약간의 그리스가 첫 작동 시에 날의 베이스 부분에서 약간의 그리스가 나옵니다.

## 구동축:

25시간 작업을 할 때마다 그리스를 바릅니다.

## 종합 점검

- 느슨해진 볼트, 너트 및 나사를 조입니다.
- 손상된 부품이나 날이 없는지 점검합니다. 필요하다면 마끼다 인증 서비스 센터에 부품 등의 교체를 요청해 주십시오.

## 보관

⚠경고: '중요한 안전 규칙' 장과 동력 장치 취급 설명서의 경고 및 주의사항을 따라 주십시오.

동력 장치와 분리된 전정기를 보관할 때는 샤프트의 끝에 캡을 씌웁니다.

▶ 그림10

## 유지 보수 주기

-		작동 전	매일(10시간)	25시간	필요한 경우
장치 전체	손상된 부분이 있는지 눈으로 점검	○	-	-	-
고정 나사 및 너트 전부	조임	○	-	-	-
날	손상, 균열 및 가장자리의 무덤 점검	-	○	-	-
	간격 조정	-	-	-	○
기어 케이스	그리스 공급	-	-	○	-
구동축	그리스 공급	-	-	○	-
동력 장치	동력 장치의 취급 설명서 참조				

## 문제 해결

이상 상태	개연성 있는 원인(고장)	해결책
모터가 시동되지 않습니다.	동력 장치의 취급 설명서를 참조하십시오.	동력 장치의 취급 설명서를 참조하십시오.
모터가 시동이 걸린 직후 멈춥니다.	동력 장치의 취급 설명서를 참조하십시오.	동력 장치의 취급 설명서를 참조하십시오.
최대 속도가 제한되었습니다.	동력 장치의 취급 설명서를 참조하십시오.	동력 장치의 취급 설명서를 참조하십시오.
날이 움직이지 않습니다. ⇒ 모터를 즉시 멈추십시오!	부적절한 절단 장치의 각도입니다.	앵글 록이 적절하게 맞물렸는지 확인하십시오.
날이 움직이지 않습니다. ⇒ 모터를 즉시 멈추십시오!	니뮷가지가 날에 끼었습니다.	그 이물질 제거하십시오.
날이 움직이지 않습니다. ⇒ 모터를 즉시 멈추십시오!	드라이브 시스템이 제대로 작동하지 않습니다.	마끼다 공인 서비스 센터에 점검 및 수리를 요청해 주십시오.
장치가 비정상적으로 진동합니다. ⇒ 모터를 즉시 멈추십시오!	드라이브 시스템이 제대로 작동하지 않습니다.	마끼다 공인 서비스 센터에 점검 및 수리를 요청해 주십시오.
날이 움직이지 않습니다. ⇒ 모터를 즉시 멈추십시오!	동력 장치가 제대로 작동하지 않습니다.	동력 장치의 취급 설명서를 참조하십시오.

## 별매품

**⚠주의:** 이는 본 취급 설명서에 명시된 마끼다 공구를 사용할 때 권장되는 부속품입니다. 다른 부속품을 사용하게 되면 대인 상해를 야기할 수 있습니다. 지정된 용도로만 별매품을 사용하여 주십시오.

본 부속품에 관한 보다 상세한 도움이 필요하신 경우에는 각 지역 마끼다 서비스 센터에 문의하여 주십시오.

- 날 설치

**참고:** 목록의 몇 가지 품목은 표준 부속품으로 공구 포장에 포함되어 있습니다. 포함된 품목은 국가별로 상이할 수 있습니다.





<USA only>

## **WARNING**

The engine exhaust from this product contains chemicals known to the State of California to cause cancer, birth defects or other reproductive harm.

<USA solamente>

## **ADVERTENCIA**

Los gases de escape del motor de este producto contienen sustancias químicas conocidas en el Estado de California como causantes de cáncer, defectos genéticos y otros problemas relacionados con la reproducción.

**Makita Corporation**  
3-11-8, Sumiyoshi-cho,  
Anjo, Aichi 446-8502 Japan

[www.makita.com](http://www.makita.com)

885480C934  
EN, FRCA,  
ESMX,  
PTBR, ID, VI,  
TH, ZHCN,  
ZHTW, KO  
20151030