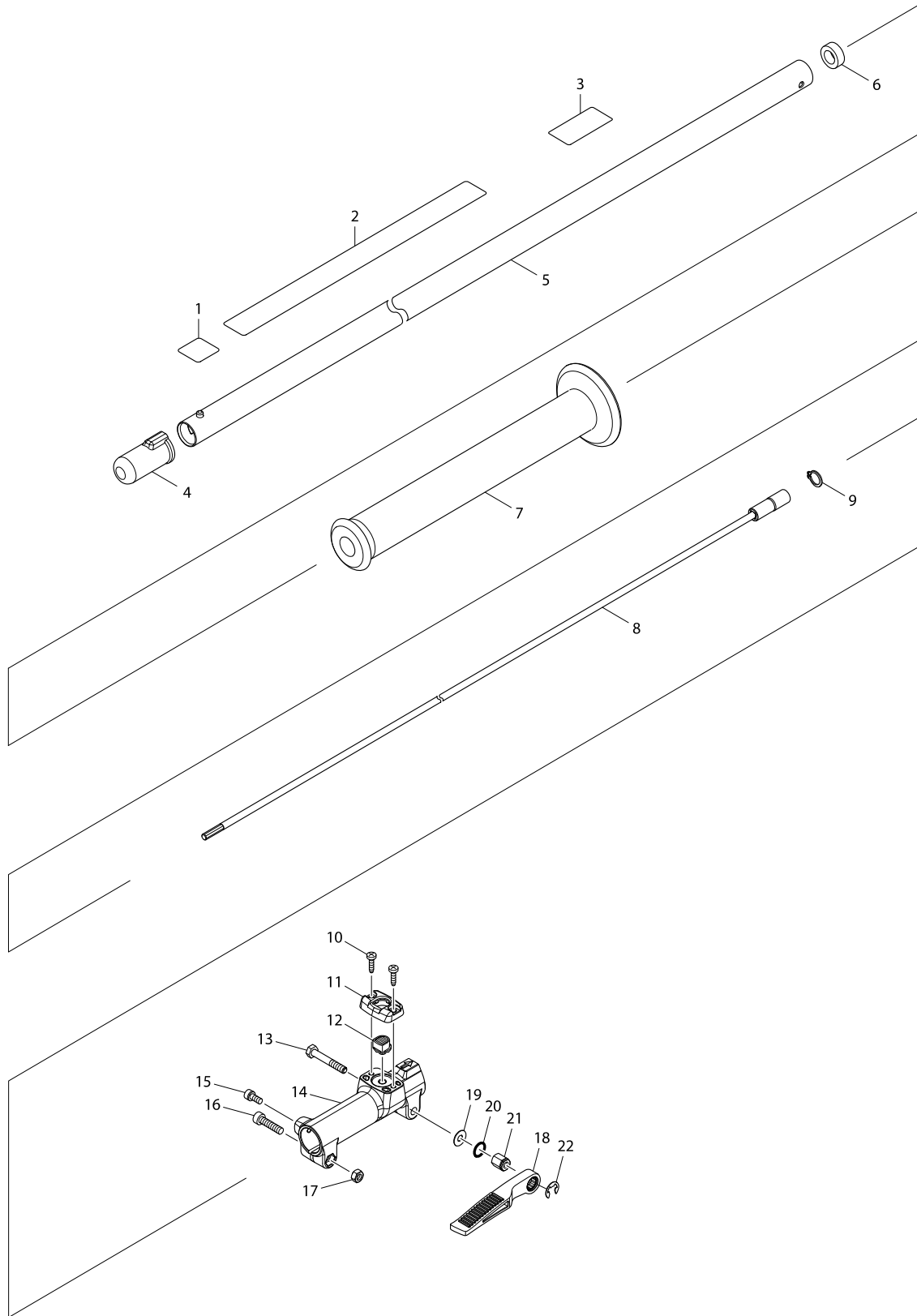




**PARTS BREAKDOWN**  
**LE400MP**  
**SE-CS**



Products with multiple versions are listed in subsiding order with the newest version on top not indented.

Section	Fig. No.	Part No.	Description	LE400MP	SE-CS	Tech Bulletin	Notes
1	1	800A07-0	INDICATION LABEL	1	1		
1	2	800A06-2	CAUTION LABEL	1	1		
1	3	893670-0	MAKITA LOGO LABEL	1	1		
1	4	424434-7	CAP 24	1	1		
1	5	141526-4	SHAFT PIPE C COMPLETE	1	1		
1	6	443181-1	FELT RING 13	1	1		
1	7	273668-7	GRIP 40	1	1		
1	8	141527-2	SHAFT C COMPLETE	1	1		
1	9	961052-5	RETAINING RING S-12	1	1		
1	10	266034-5	TAPPING SCREW CT 4X16	2	2		
1	11	452840-6	RELEASE BUTTON COVER	1	1		
1	12	452839-1	RELEASE BUTTON	1	1		
1	13	265596-0	HEX BOLT M6X40	1	1		
1	14	318750-6	JOINT 24	1	1		
1	15	922211-6	HEX SOCKET HEAD BOLT M5X12	1	1		
1	16	922342-1	HEX SOCKET HEAD BOLT M6X25	1	1		
1	17	931302-2	HEX NUT M6	1	1		
1	18	272268-0	LEVER 94	1	1		
1	19	253332-6	THIN WASHER 6	1	1		
1	20	213105-9	O RING 11	1	1		
1	21	252159-1	HEX NUT M6	1	1		
1	22	961014-3	STOP RING E-8	1	1		
1	23	163525-6	LEAF SPRING COMPLETE	1	1		