

① OFF / Brightness

OFF 4x



OFF 3x



2s



Transportation Lock



www.makita.com

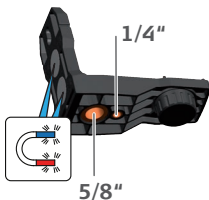


LASER
2



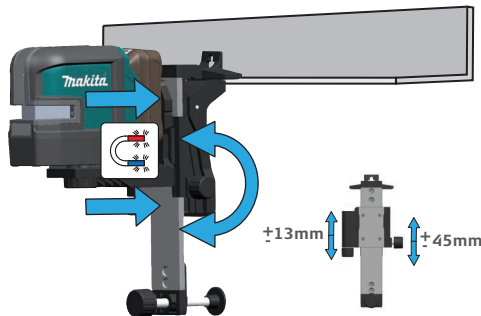
IEC 60825-1:2014 A=525nm Pmax<1mW tp=45-70us

Adapter setup

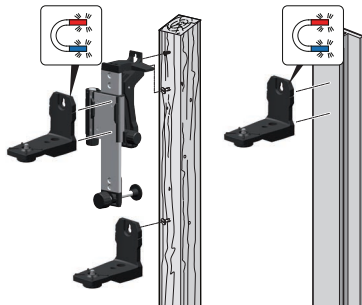


360°

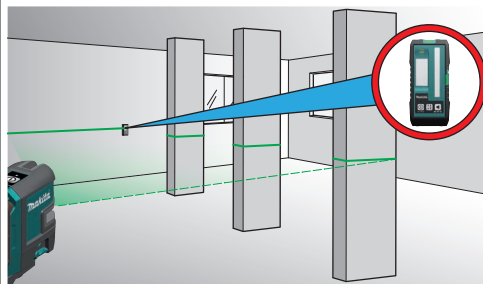
Usable with wall mount



Adapter and wall mount setup



Usable with Receiver



SK105GD

Status LED

ON / Set key

Battery
(optional)

Window vertical line

Window horizontal line

Levelling lock
Transportation lock

Tripod thread 1/4"

DC jack

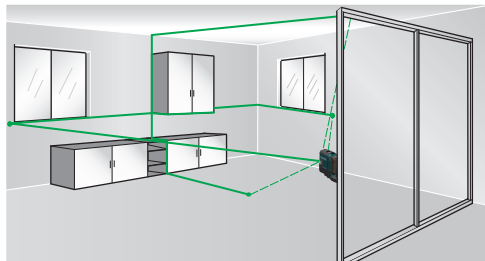


www.makita.com

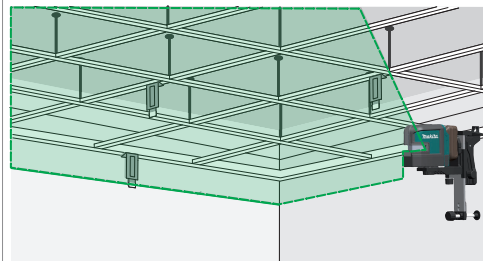
Insert Makita battery (optional)



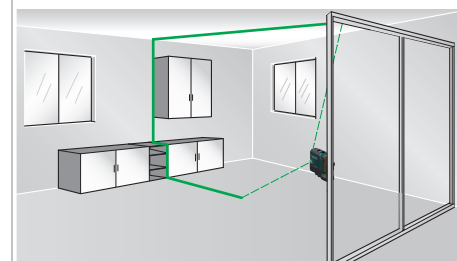
① 1x - Laser on



① 2x - Horizontal mode



① 3x - Vertical mode



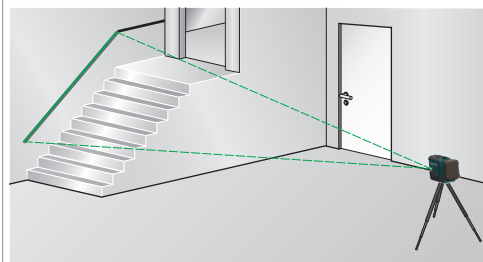
External power supply



Self levelling / Levelling lock



🔒 ① 1x ——— ① 2x |



Status LED

