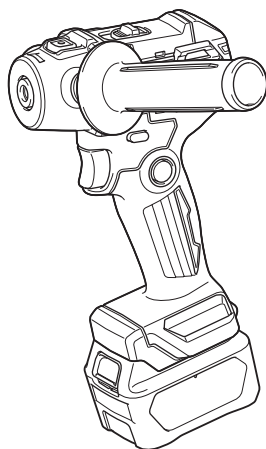


**INSTRUCTION MANUAL
MANUAL DE INSTRUCCIONES**



Cordless Sander Polisher Lijadora Pulidora Inalámbrica

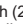
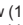
VP01



IMPORTANT: Read Before Using.

IMPORTANTE: Lea antes de usar.

SPECIFICATIONS

Model:		VP01
Maximum capacities	Wool pad	80 mm (3-1/8")
	Sponge pad	80 mm (3-1/8")
	Sanding disc	50 mm (2")
Backing pad diameter	For sanding	46 mm (1-13/16")
	For polishing	75 mm (2-15/16")
Rated speed (n) / No load speed (n ₀)	High (2 ): sanding mode	0 - 9,500 /min
	Low (1 ): polishing mode	0 - 2,800 /min
Overall length		139 mm (5-1/2") *1
Rated voltage		D.C. 10.8 V - 12 V max
Net weight		1.1 - 1.2 kg (2.4 - 2.6 lbs)

*1. With battery cartridge (BL1041B).

- Due to our continuing program of research and development, the specifications herein are subject to change without notice.
- Specifications and battery cartridge may differ from country to country.
- The weight may differ depending on the attachment(s), including the battery cartridge. The lightest and heaviest combinations, according to EPTA-Procedure 01/2014, are shown in the table.

Applicable battery cartridge and charger

Battery cartridge	BL1016 / BL1021B / BL1041B
Charger	DC10SB / DC10WD / DC18RE

- Some of the battery cartridges and chargers listed above may not be available depending on your region of residence.

⚠ WARNING: Only use the battery cartridges and chargers listed above. Use of any other battery cartridges and chargers may cause injury and/or fire.

SAFETY WARNINGS

General power tool safety warnings

⚠ WARNING: Read all safety warnings, instructions, illustrations and specifications provided with this power tool. Failure to follow all instructions listed below may result in electric shock, fire and/or serious injury.

Save all warnings and instructions for future reference.

The term "power tool" in the warnings refers to your mains-operated (corded) power tool or battery-operated (cordless) power tool.

Work area safety

1. **Keep work area clean and well lit.** Cluttered or dark areas invite accidents.
2. **Do not operate power tools in explosive atmospheres, such as in the presence of flammable liquids, gases or dust.** Power tools create sparks which may ignite the dust or fumes.

3. **Keep children and bystanders away while operating a power tool.** Distractions can cause you to lose control.

Electrical Safety

1. **Power tool plugs must match the outlet. Never modify the plug in any way. Do not use any adapter plugs with earthed (grounded) power tools.** Unmodified plugs and matching outlets will reduce risk of electric shock.
2. **Avoid body contact with earthed or grounded surfaces, such as pipes, radiators, ranges and refrigerators.** There is an increased risk of electric shock if your body is earthed or grounded.
3. **Do not expose power tools to rain or wet conditions.** Water entering a power tool will increase the risk of electric shock.
4. **Do not abuse the cord. Never use the cord for carrying, pulling or unplugging the power tool. Keep cord away from heat, oil, sharp edges or moving parts.** Damaged or entangled cords increase the risk of electric shock.
5. **When operating a power tool outdoors, use an extension cord suitable for outdoor use.** Use of a cord suitable for outdoor use reduces the risk of electric shock.

6. **If operating a power tool in a damp location is unavoidable, use a ground fault circuit interrupter (GFCI) protected supply.** Use of a GFCI reduces the risk of electric shock.
7. **Power tools can produce electromagnetic fields (EMF) that are not harmful to the user.** However, users of pacemakers and other similar medical devices should contact the maker of their device and/or doctor for advice before operating this power tool.
3. **Disconnect the plug from the power source and/or remove the battery pack, if detachable, from the power tool before making any adjustments, changing accessories, or storing power tools.** Such preventive safety measures reduce the risk of starting the power tool accidentally.
4. **Store idle power tools out of the reach of children and do not allow persons unfamiliar with the power tool or these instructions to operate the power tool.** Power tools are dangerous in the hands of untrained users.

Personal Safety

1. **Stay alert, watch what you are doing and use common sense when operating a power tool. Do not use a power tool while you are tired or under the influence of drugs, alcohol or medication.** A moment of inattention while operating power tools may result in serious personal injury.
2. **Use personal protective equipment. Always wear eye protection.** Protective equipment such as dust mask, non-skid safety shoes, hard hat, or hearing protection used for appropriate conditions will reduce personal injuries.
3. **Prevent unintentional starting. Ensure the switch is in the off-position before connecting to power source and/or battery pack, picking up or carrying the tool.** Carrying power tools with your finger on the switch or energising power tools that have the switch on invites accidents.
4. **Remove any adjusting key or wrench before turning the power tool on.** A wrench or a key left attached to a rotating part of the power tool may result in personal injury.
5. **Do not overreach. Keep proper footing and balance at all times.** This enables better control of the power tool in unexpected situations.
6. **Dress properly. Do not wear loose clothing or jewellery. Keep your hair, clothing and gloves away from moving parts.** Loose clothes, jewellery or long hair can be caught in moving parts.
7. **If devices are provided for the connection of dust extraction and collection facilities, ensure these are connected and properly used.** Use of dust collection can reduce dust-related hazards.
8. **Do not let familiarity gained from frequent use of tools allow you to become complacent and ignore tool safety principles.** A careless action can cause severe injury within a fraction of a second.
9. **Always wear protective goggles to protect your eyes from injury when using power tools. The goggles must comply with ANSI Z87.1 in the USA.**
It is an employer's responsibility to enforce the use of appropriate safety protective equipment by the tool operators and by other persons in the immediate working area.
5. **Maintain power tools and accessories. Check for misalignment or binding of moving parts, breakage of parts and any other condition that may affect the power tool's operation. If damaged, have the power tool repaired before use.** Many accidents are caused by poorly maintained power tools.
6. **Keep cutting tools sharp and clean.** Properly maintained cutting tools with sharp cutting edges are less likely to bind and are easier to control.
7. **Use the power tool, accessories and tool bits etc. in accordance with these instructions, taking into account the working conditions and the work to be performed.** Use of the power tool for operations different from those intended could result in a hazardous situation.
8. **Keep handles and grasping surfaces dry, clean and free from oil and grease.** Slippery handles and grasping surfaces do not allow for safe handling and control of the tool in unexpected situations.
9. **When using the tool, do not wear cloth work gloves which may be entangled.** The entanglement of cloth work gloves in the moving parts may result in personal injury.

Battery tool use and care

1. **Recharge only with the charger specified by the manufacturer.** A charger that is suitable for one type of battery pack may create a risk of fire when used with another battery pack.
2. **Use power tools only with specifically designated battery packs.** Use of any other battery packs may create a risk of injury and fire.
3. **When battery pack is not in use, keep it away from other metal objects, like paper clips, coins, keys, nails, screws or other small metal objects, that can make a connection from one terminal to another.** Shorting the battery terminals together may cause burns or a fire.
4. **Under abusive conditions, liquid may be ejected from the battery; avoid contact. If contact accidentally occurs, flush with water. If liquid contacts eyes, additionally seek medical help.** Liquid ejected from the battery may cause irritation or burns.
5. **Do not use a battery pack or tool that is damaged or modified.** Damaged or modified batteries may exhibit unpredictable behaviour resulting in fire, explosion or risk of injury.
6. **Do not expose a battery pack or tool to fire or excessive temperature.** Exposure to fire or temperature above 130 °C may cause explosion.
7. **Follow all charging instructions and do not charge the battery pack or tool outside the temperature range specified in the instructions.** Charging improperly or at temperatures outside the specified range may damage the battery and increase the risk of fire.
1. **Do not force the power tool. Use the correct power tool for your application.** The correct power tool will do the job better and safer at the rate for which it was designed.
2. **Do not use the power tool if the switch does not turn it on and off.** Any power tool that cannot be controlled with the switch is dangerous and must be repaired.

Power tool use and care

Service

1. **Have your power tool serviced by a qualified repair person using only identical replacement parts.** This will ensure that the safety of the power tool is maintained.
2. **Never service damaged battery packs.** Service of battery packs should only be performed by the manufacturer or authorized service providers.
3. **Follow instruction for lubricating and changing accessories.**
4. **Do not modify or attempt to repair the appliance or the battery pack except as indicated in the instructions for use and care.**

Cordless sander polisher safety warnings

Safety Warnings Common for Sanding or Polishing Operations:

1. **This power tool is intended to function as a sander or polisher. Read all safety warnings, instructions, illustrations and specifications provided with this power tool.** Failure to follow all instructions listed below may result in electric shock, fire and/or serious injury.
2. **Operations such as grinding, wire brushing or cutting-off are not recommended to be performed with this power tool.** Operations for which the power tool was not designed may create a hazard and cause personal injury.
3. **Do not use accessories which are not specifically designed and recommended by the tool manufacturer.** Just because the accessory can be attached to your power tool, it does not assure safe operation.
4. **The rated speed of the accessory must be at least equal to the maximum speed marked on the power tool.** Accessories running faster than their rated speed can break and fly apart.
5. **The outside diameter and the thickness of your accessory must be within the capacity rating of your power tool.** Incorrectly sized accessories cannot be adequately guarded or controlled.
6. **Threaded mounting of accessories must match the spindle thread of the tool. For accessories mounted by flanges, the arbour hole of the accessory must fit the locating diameter of the flange.** Accessories that do not match the mounting hardware of the power tool will run out of balance, vibrate excessively and may cause loss of control.
7. **Do not use a damaged accessory. Before each use inspect the accessory such as backing pad for cracks, tear or excess wear. If power tool or accessory is dropped, inspect for damage or install an undamaged accessory. After inspecting and installing an accessory, position yourself and bystanders away from the plane of the rotating accessory and run the power tool at maximum no-load speed for one minute.** Damaged accessories will normally break apart during this test time.

8. **Wear personal protective equipment.** Depending on application, use face shield, safety goggles or safety glasses. As appropriate, wear dust mask, hearing protectors, gloves and workshop apron capable of stopping small abrasive or workpiece fragments. The eye protection must be capable of stopping flying debris generated by various operations. The dust mask or respirator must be capable of filtering particles generated by your operation. Prolonged exposure to high intensity noise may cause hearing loss.
9. **Keep bystanders a safe distance away from work area. Anyone entering the work area must wear personal protective equipment.** Fragments of workpiece or of a broken accessory may fly away and cause injury beyond immediate area of operation.
10. **Hold the power tool by insulated gripping surfaces only, when performing an operation where the cutting tool may contact hidden wiring.** Contact with a "live" wire will also make exposed metal parts of the power tool "live" and could give the operator an electric shock.
11. **Never lay the power tool down until the accessory has come to a complete stop.** The spinning accessory may grab the surface and pull the power tool out of your control.
12. **Do not run the power tool while carrying it at your side.** Accidental contact with the spinning accessory could snag your clothing, pulling the accessory into your body.
13. **Regularly clean the power tool's air vents.** The motor's fan will draw the dust inside the housing and excessive accumulation of powdered metal may cause electrical hazards.
14. **Do not operate the power tool near flammable materials.** Sparks could ignite these materials.
15. **Do not use accessories that require liquid coolants.** Using water or other liquid coolants may result in electrocution or shock.

Kickback and Related Warnings

Kickback is a sudden reaction to a pinched or snagged rotating wheel, backing pad, brush or any other accessory. Pinching or snagging causes rapid stalling of the rotating accessory which in turn causes the uncontrolled power tool to be forced in the direction opposite of the accessory's rotation at the point of the binding. For example, if an abrasive wheel is snagged or pinched by the workpiece, the edge of the wheel that is entering into the pinch point can dig into the surface of the material causing the wheel to climb out or kick out. The wheel may either jump toward or away from the operator, depending on direction of the wheel's movement at the point of pinching. Abrasive wheels may also break under these conditions. Kickback is the result of power tool misuse and/or incorrect operating procedures or conditions and can be avoided by taking proper precautions as given below.

1. **Maintain a firm grip on the power tool and position your body and arm to allow you to resist kickback forces. Always use auxiliary handle, if provided, for maximum control over kickback or torque reaction during start-up.** The operator can control torque reactions or kickback forces, if proper precautions are taken.
2. **Never place your hand near the rotating accessory.** Accessory may kickback over your hand.

3. **Do not position your body in the area where power tool will move if kickback occurs.** Kickback will propel the tool in direction opposite to the wheel's movement at the point of snagging.
4. **Use special care when working corners, sharp edges etc. Avoid bouncing and snagging the accessory.** Corners, sharp edges or bouncing have a tendency to snag the rotating accessory and cause loss of control or kickback.
5. **Do not attach a saw chain woodcarving blade or toothed saw blade.** Such blades create frequent kickback and loss of control.

Safety Warnings Specific for Sanding Operations:

1. **Do not use excessively oversized sanding disc paper. Follow manufacturers recommendations, when selecting sanding paper.** Larger sanding paper extending beyond the sanding pad presents a laceration hazard and may cause snagging, tearing of the disc or kickback.

Safety Warnings Specific for Polishing Operations:

1. **Do not allow any loose portion of the polishing bonnet or its attachment strings to spin freely. Tuck away or trim any loose attachment strings.** Loose and spinning attachment strings can entangle your fingers or snag on the workpiece.

Additional Safety Warnings:

1. **Make sure the wheel is not contacting the workpiece before the switch is turned on.**
2. **Before using the tool on an actual workpiece, let it run for a while. Watch for vibration or wobbling that could indicate poor installation or a poorly balanced wheel.**
3. **Use the specified surface of the wheel to perform the sanding or polishing.**
4. **Do not leave the tool running. Operate the tool only when hand-held.**
5. **Do not touch the workpiece immediately after operation; it may be extremely hot and could burn your skin.**
6. **Do not touch accessories immediately after operation; it may be extremely hot and could burn your skin.**
7. **Observe the instructions of the manufacturer for correct mounting and use of wheels. Handle and store wheels with care.**
8. **Check that the workpiece is properly supported.**
9. **Pay attention that the wheel continues to rotate after the tool is switched off.**
10. **Do not use the tool on any materials containing asbestos.**
11. **Do not use cloth work gloves during operation.** Fibers from cloth gloves may enter the tool, which causes tool breakage.

SAVE THESE INSTRUCTIONS.

⚠ WARNING: DO NOT let comfort or familiarity with product (gained from repeated use) replace strict adherence to safety rules for the subject product. MISUSE or failure to follow the safety rules stated in this instruction manual may cause serious personal injury.

Symbols

The followings show the symbols used for tool.

v	volts
— ---	direct current
n	rated speed
.../min r/min	orbits per minute
∅	diameter

Important safety instructions for battery cartridge

1. **Before using battery cartridge, read all instructions and cautionary markings on (1) battery charger, (2) battery, and (3) product using battery.**
2. **Do not disassemble or tamper with the battery cartridge.** It may result in a fire, excessive heat, or explosion.
3. **If operating time has become excessively shorter, stop operating immediately. It may result in a risk of overheating, possible burns and even an explosion.**
4. **If electrolyte gets into your eyes, rinse them out with clear water and seek medical attention right away. It may result in loss of your eyesight.**
5. **Do not short the battery cartridge:**
 - (1) **Do not touch the terminals with any conductive material.**
 - (2) **Avoid storing battery cartridge in a container with other metal objects such as nails, coins, etc.**
 - (3) **Do not expose battery cartridge to water or rain.**

A battery short can cause a large current flow, overheating, possible burns and even a breakdown.
6. **Do not store and use the tool and battery cartridge in locations where the temperature may reach or exceed 50 °C (122 °F).**
7. **Do not incinerate the battery cartridge even if it is severely damaged or is completely worn out. The battery cartridge can explode in a fire.**
8. **Do not nail, cut, crush, throw, drop the battery cartridge, or hit against a hard object to the battery cartridge.** Such conduct may result in a fire, excessive heat, or explosion.
9. **Do not use a damaged battery.**
10. **The contained lithium-ion batteries are subject to the Dangerous Goods Legislation requirements.** For commercial transports e.g. by third parties, forwarding agents, special requirement on packaging and labeling must be observed.

For preparation of the item being shipped, consulting an expert for hazardous material is required. Please also observe possibly more detailed national regulations.

Tape or mask off open contacts and pack up the battery in such a manner that it cannot move around in the packaging.

11. **When disposing the battery cartridge, remove it from the tool and dispose of it in a safe place. Follow your local regulations relating to disposal of battery.**
12. **Use the batteries only with the products specified by Makita.** Installing the batteries to non-compliant products may result in a fire, excessive heat, explosion, or leak of electrolyte.
13. **If the tool is not used for a long period of time, the battery must be removed from the tool.**
14. **During and after use, the battery cartridge may take on heat which can cause burns or low temperature burns. Pay attention to the handling of hot battery cartridges.**
15. **Do not touch the terminal of the tool immediately after use as it may get hot enough to cause burns.**
16. **Do not allow chips, dust, or soil stuck into the terminals, holes, and grooves of the battery cartridge.** It may result in poor performance or breakdown of the tool or battery cartridge.
17. **Unless the tool supports the use near high-voltage electrical power lines, do not use the battery cartridge near high-voltage electrical power lines.** It may result in a malfunction or breakdown of the tool or battery cartridge.
18. **Keep the battery away from children.**

SAVE THESE INSTRUCTIONS.

CAUTION: Only use genuine Makita batteries. Use of non-genuine Makita batteries, or batteries that have been altered, may result in the battery bursting causing fires, personal injury and damage. It will also void the Makita warranty for the Makita tool and charger.

Tips for maintaining maximum battery life

1. **Charge the battery cartridge before completely discharged. Always stop tool operation and charge the battery cartridge when you notice less tool power.**
2. **Never recharge a fully charged battery cartridge. Overcharging shortens the battery service life.**
3. **Charge the battery cartridge with room temperature at 10 °C - 40 °C (50 °F - 104 °F). Let a hot battery cartridge cool down before charging it.**
4. **When not using the battery cartridge, remove it from the tool or the charger.**

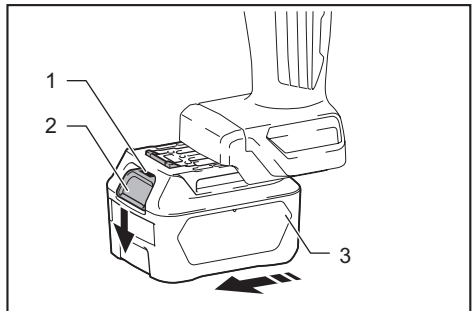
FUNCTIONAL DESCRIPTION

CAUTION: Always be sure that the tool is switched off and the battery cartridge is removed before adjusting or checking function on the tool.

Installing or removing battery cartridge

CAUTION: Always switch off the tool before installing or removing of the battery cartridge.

CAUTION: Hold the tool and the battery cartridge firmly when installing or removing battery cartridge. Failure to hold the tool and the battery cartridge firmly may cause them to slip off your hands and result in damage to the tool and battery cartridge and a personal injury.



► 1. Red indicator 2. Button 3. Battery cartridge

To remove the battery cartridge, slide it from the tool while sliding the button on the front of the cartridge.

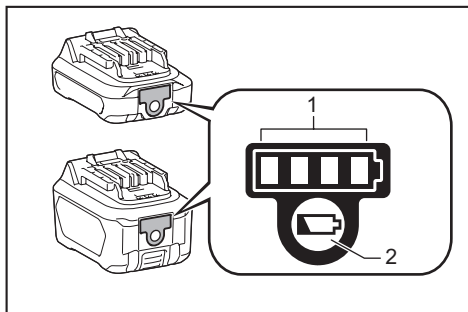
To install the battery cartridge, align the tongue on the battery cartridge with the groove in the housing and slip it into place. Insert it all the way until it locks in place with a little click. If you can see the red indicator on the upper side of the button, it is not locked completely.

CAUTION: Always install the battery cartridge fully until the red indicator cannot be seen. If not, it may accidentally fall out of the tool, causing injury to you or someone around you.

CAUTION: Do not install the battery cartridge forcibly. If the cartridge does not slide in easily, it is not being inserted correctly.

Indicating the remaining battery capacity

Only for battery cartridges with the indicator



► 1. Indicator lamps 2. Check button

Press the check button on the battery cartridge to indicate the remaining battery capacity. The indicator lamps light up for a few seconds.

Indicator lamps		Remaining capacity
Lighted	Off	
■ ■ ■ ■	□	75% to 100%
■ ■ ■ □	□	50% to 75%
■ ■ □ □	□ □	25% to 50%
■ □ □ □	□ □ □ □	0% to 25%

NOTE: Depending on the conditions of use and the ambient temperature, the indication may differ slightly from the actual capacity.

Tool / battery protection system

The tool is equipped with a tool/battery protection system. This system automatically cuts off power to the motor to extend tool and battery life. The tool will automatically stop during operation if the tool or battery is placed under one of the following conditions:

Overload protection

When the tool or battery is operated in a manner that causes it to draw an abnormally high current, the tool automatically stops without any indication. In this situation, turn the tool off and stop the application that caused the tool to become overloaded. Then turn the tool on to restart.

Overheat protection

When the tool or battery is overheated, the tool stops automatically. In this case, let the tool and battery cool before turning the tool on again.

Overdischarge protection


When the battery capacity is not enough, the tool stops automatically. In this case, remove the battery from the tool and charge the battery.



Switch action

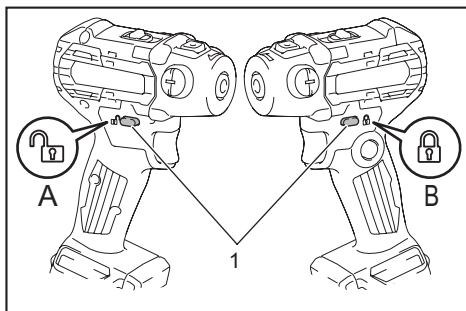
CAUTION: Before installing the battery cartridge into the tool, always check to see that the switch trigger actuates properly and returns to the "OFF" position when released.

CAUTION: Switch can be locked in "ON" position for ease of operator comfort during extended use. Apply caution when locking tool in "ON" position and maintain firm grasp on tool.

CAUTION: Do not install the battery cartridge with the lock button engaged.

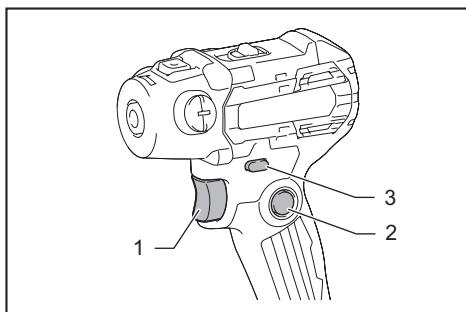
CAUTION: When not operating the tool, depress the trigger-lock button from  side to lock the switch trigger in the OFF position.

To prevent the switch trigger from accidentally pulled, the trigger-lock button is provided. To start the tool, depress the trigger-lock button from A () side and pull the switch trigger. Tool speed is increased by increasing pressure on the switch trigger. Release the switch trigger to stop. After use, depress the trigger-lock button from B () side.



► 1. Trigger-lock button

For continuous operation, depress the lock button while pulling the switch trigger, and then release the switch trigger. To stop the tool, pull the switch trigger fully, then release it.



► 1. Switch trigger 2. Lock button 3. Trigger-lock button

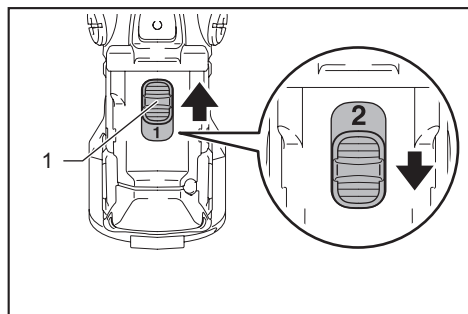
Speed change lever

CAUTION: Always set the speed change lever fully to the correct position. If you operate the tool with the speed change lever positioned halfway between the "1" side and "2" side, the tool may be damaged.

CAUTION: Do not use the speed change lever while the tool is running. The tool may be damaged.

CAUTION: If the tool is operated continuously at low speeds for a long time, the motor will get overloaded, resulting in tool malfunction.

To change the speed, switch off the tool first. Push the speed change lever to display "2" for high speed or "1" for low speed. Be sure that the speed change lever is set to the correct position before operation. Use the right speed for your job.



► 1. Speed change lever

Displayed number	Symbol	Speed	Applicable operation
2		High	Sanding operation
1		Low	Polishing operation

Accidental restart preventive function

If you install the battery cartridge while pulling the switch trigger or locking the switch trigger, the tool does not start. To start the tool, release the switch trigger, and then pull the switch trigger.

ASSEMBLY

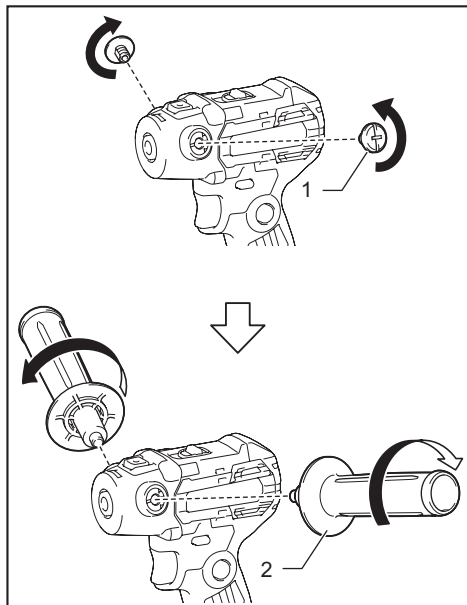
CAUTION: Always be sure that the tool is switched off and the battery cartridge is removed before carrying out any work on the tool.

Installing side grip

CAUTION: Tighten the caps or side grip firmly. Otherwise, the front cover may fall and cause an injury.

Remove the cap and screw the side grip on the tool securely.

The side grip can be installed on either side of the tool.



► 1. Cap 2. Side grip

Installing backing pad

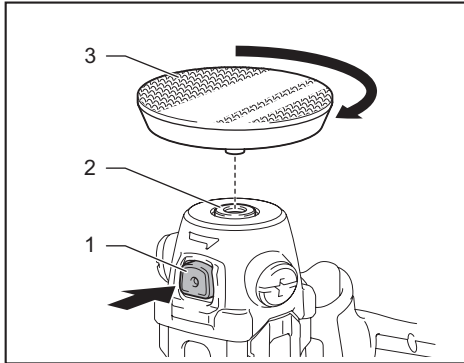
CAUTION: Make sure that the backing pad is secured properly. Loose attachment will run out of balance and cause an excessive vibration which may cause loss of control.

CAUTION: Never actuate the shaft lock when the spindle is moving. The tool may be damaged.

NOTE: Regularly clean the accessories and spindle to remove dust and debris. Wipe the components clean with a cloth dampened in soapy water if necessary.

Hook-and-loop system

Press in the shaft lock to prevent spindle rotation, and thread the backing pad into the spindle. Hand tighten securely.

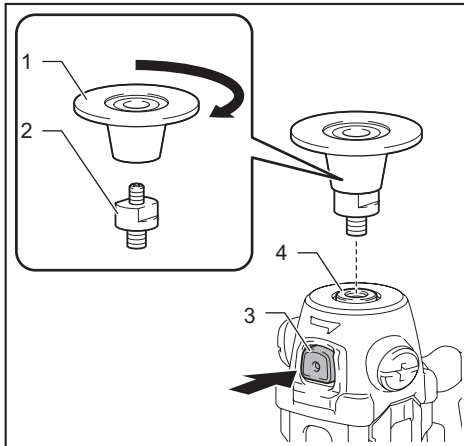


► 1. Shaft lock 2. Spindle 3. Backing pad

To remove the backing pad, follow the installation procedure in reverse.

Twist-on/twist-off system

Screw the backing pad onto the adapter. Then thread the other end of the adapter into the spindle while pressing in the shaft lock. Hand tighten securely.



► 1. Backing pad 2. Adapter 3. Shaft lock 4. Spindle

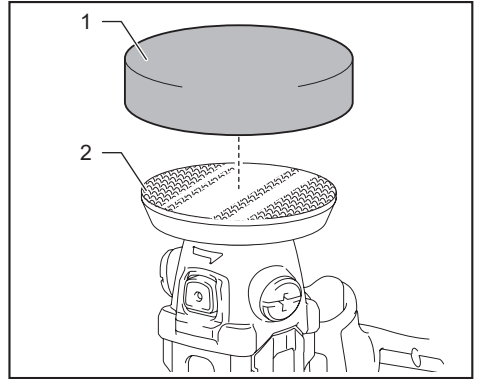
To remove the backing pad, follow the installation procedure in reverse.

Installing and removing polishing pad

CAUTION: Only use the hook-and-loop system pads for polishing.

CAUTION: Make sure that the pad and backing pad are aligned and securely attached. Otherwise the pad will cause an excessive vibration which may cause loss of control or the pad may be thrown out from the tool.

Remove all dirt and foreign matter from the hook-and-loop system of a pad and backing pad. Attach the pad to the backing pad so that their edges are aligned. To remove the pad from the backing pad, just pull up from its edge.



► 1. Pad 2. Backing pad

Installing abrasive disc

Optional accessory

CAUTION: Only use the twist-on/twist-off system discs for sanding.

Disc selection

CAUTION: The outside diameter of accessory must be within the capacity rating of the power tool.

CAUTION: The rated speed of accessory must be equal or higher than the maximum speed marked on the power tool.

Always use the correct sized wheel that is made from appropriate abrasive materials with the right grit size for your job.

Abrasive disc materials

Abrasive materials	Basic features	Practical applications
Aluminum Oxide	Best for steel, stainless steel and metals. Single crystal abrasive material with high tenacity and durability.	Fast sanding Most metal jobs
Alumina Zirconium	Best for INOX and metals. Extremely sharp and hard abrasive material with high durability.	Removing paint from cars and boats, etc.
Ceramic	Best for INOX, metals and non-ferrous materials. Extremely sharp and high resistant to shock/heat/wear.	General metal work

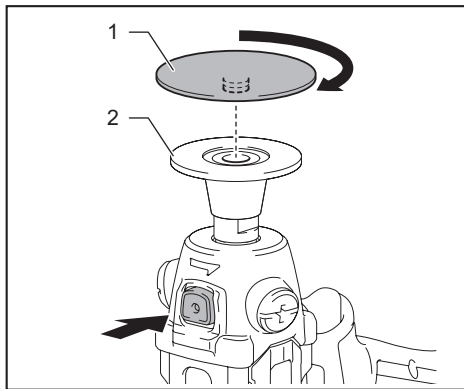
Grit size

Grit	Practical applications
24/36 (coarse)	Heavy stock removal
60/80	Medium stock removal
120 (fine)	Finishing

Installing and removing abrasive disc

CAUTION: Make sure that the backing pad is secured properly. Loose attachment will run out of balance and cause an excessive vibration which may cause loss of control.

Remove all dirt and foreign matter from the backing pad. Thread an abrasive disc onto the backing pad while pressing in the shaft lock. Hand tighten securely. To remove the disc from the backing pad, follow the installation procedure in reverse.



► 1. Abrasive disc 2. Backing pad

OPERATION

CAUTION: Only use Makita genuine pads for polishing.

CAUTION: Only use Makita genuine abrasive disc for sanding (optional accessories).

CAUTION: Make sure the work material is secured and stable. Falling object may cause personal injury.

CAUTION: Hold the tool firmly with one hand on the switch handle and the other hand on the side grip when performing the tool.

CAUTION: Do not run the tool at high load over an extended time period. It may result in tool malfunction which causes electric shock, fire and/or serious injury.

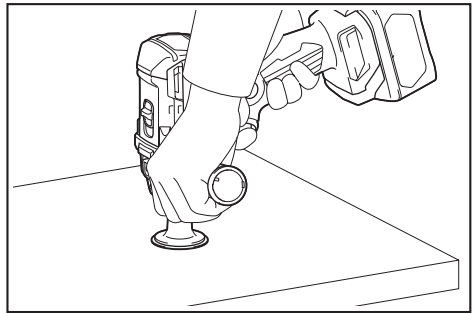
CAUTION: Be careful not to touch the rotating part.

CAUTION: Before operating the tool, make sure that the side grip or caps are not loose. If the side grip or caps are loose, the front cover may fall and cause an injury.

NOTICE: Never force the tool. Excessive pressure may lead to decreased polishing efficiency, damaged pad, or shorten tool life.

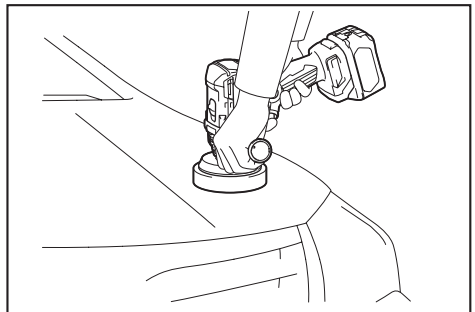
NOTICE: Continuous operation at high speed may damage work surface.

General operation



1. Make sure that the workpiece is properly supported and both hands are free to control the tool.
2. Hold the tool firmly with one hand on the switch handle and the other hand on the side grip.
3. Turn the tool on, letting the wheel reach full speed, and then carefully enter into operation moving the tool forward over the workpiece surface.
4. Having finished, switch the tool off and wait until the wheel has come to a complete stop before putting the tool down.

Polishing operation



1. Surface treatment

Use a wool pad for rough finishing then use a sponge pad for fine finishing.

2. Applying wax

Use a sponge pad. Apply wax to the sponge pad or work surface. Run the tool at low speed to smooth out wax.

CAUTION: Do not apply excessive wax or polishing agent. It will generate more dust and may cause eye or respiratory diseases.

NOTE: First, perform a test waxing on an inconspicuous portion of the work surface. Make sure that the tool will not scratch the surface or result in uneven waxing.

3. Removing wax

Use a sponge pad. Run the tool to remove wax.

4. Polishing

Apply a sponge pad gently to the work surface.

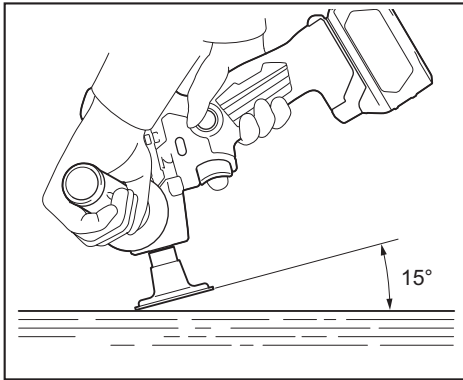
Sanding operation

CAUTION: Never switch on the tool when it is in contact with the workpiece, it may cause an injury to operator.

CAUTION: Never run the tool without the abrasive disc. You may seriously damage the pad.

CAUTION: Always wear safety goggles or a face shield during operation.

CAUTION: After operation, always switch off the tool and wait until the disc has come to a complete stop before putting the tool down.



ALWAYS hold the tool firmly with one hand on rear handle and the other on the side handle. Turn the tool on and then apply the abrasive disc to the workpiece. In general, keep the abrasive disc at an angle of about 15 degrees to the workpiece surface.

Apply slight pressure only. Excessive pressure will result in poor performance and premature wear to abrasive disc.

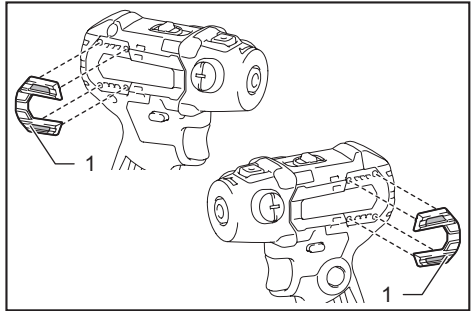
MAINTENANCE

CAUTION: Always be sure that the tool is switched off and the battery cartridge is removed before attempting to perform inspection or maintenance.

NOTICE: Never use gasoline, benzine, thinner, alcohol or the like. Discoloration, deformation or cracks may result.

To maintain product SAFETY and RELIABILITY, repairs, any other maintenance or adjustment should be performed by Makita Authorized or Factory Service Centers, always using Makita replacement parts.

Cleaning dust covers



► 1. Dust cover

Regularly clean the dust covers on the inhalation vents for smooth air circulation. Remove the dust covers and clean the mesh.

OPTIONAL ACCESSORIES

CAUTION: These accessories or attachments are recommended for use with your Makita tool specified in this manual. The use of any other accessories or attachments might present a risk of injury to persons. Only use accessory or attachment for its stated purpose.

If you need any assistance for more details regarding these accessories, ask your local Makita Service Center.

- Wool pad
- Sponge pad (yellow)
- Sponge pad (white)
- Magic pad
- Twist-on/twist-off pad
- Makita genuine battery and charger

NOTE: Some items in the list may be included in the tool package as standard accessories. They may differ from country to country.

MAKITA LIMITED WARRANTY



Please refer to the annexed warranty sheet for the most current warranty terms applicable to this product. If annexed warranty sheet is not available, refer to the warranty details set forth at below website for your respective country.

United States of America: www.makitatools.com

Canada: www.makita.ca

Other countries: www.makita.com

ESPECIFICACIONES

Modelo:		VP01
Capacidades máximas	Almohadilla de lana	80 mm (3-1/8")
	Almohadilla de esponja	80 mm (3-1/8")
	Disco para lijado	50 mm (2")
Diámetro de la almohadilla de soporte	Para lijado	46 mm (1-13/16")
	Para pulido	75 mm (2-15/16")
Velocidad especificada (n) / Velocidad sin carga (n ₀)	Alta (2 ): modo de lijado	0 r/min a 9 500 r/min
	Baja (1 ): modo de pulido	0 r/min a 2 800 r/min
Longitud total		139 mm (5-1/2") *1
Tensión nominal		c.c. 10,8 V a 12 V máx.
Peso neto		1,1 kg - 1,2 kg (2,4 lbs - 2,6 lbs)

*1. Con cartucho de batería (BL1041B).

- Debido a nuestro continuo programa de investigación y desarrollo, las especificaciones aquí incluidas están sujetas a cambio sin previo aviso.
- Las especificaciones y el cartucho de batería pueden variar de país a país.
- El peso puede variar en función de los accesorios, incluido el cartucho de batería. En la tabla se muestra la combinación de peso más ligero y más pesado conforme al procedimiento 01/2014 de EPTA.

Cartucho de batería y cargador aplicables

Cartucho de batería	BL1016 / BL1021B / BL1041B
Cargador	DC10SB / DC10WD / DC18RE

- Algunos de los cartuchos de batería y cargadores enumerados arriba podrían no estar disponibles dependiendo de su área de residencia.

⚠ ADVERTENCIA: Use únicamente los cartuchos de batería y los cargadores indicados arriba. El uso de cualquier otro cartucho de batería y cargador podría ocasionar una lesión y/o un incendio.

ADVERTENCIAS DE SEGURIDAD

Advertencias generales de seguridad para herramientas eléctricas

⚠ ADVERTENCIA: Lea todas las advertencias de seguridad, instrucciones, ilustraciones y especificaciones suministradas con esta herramienta eléctrica. El no seguir todas las instrucciones indicadas a continuación podría ocasionar una descarga eléctrica, incendio y/o lesiones graves.

Conserve todas las advertencias e instrucciones como referencia en el futuro.

En las advertencias, el término "herramienta eléctrica" se refiere a su herramienta eléctrica de funcionamiento con conexión a la red eléctrica (con cableado eléctrico) o herramienta eléctrica de funcionamiento a batería (inalámbrica).

Seguridad en el área de trabajo

1. **Mantenga el área de trabajo limpia y bien iluminada.** Las áreas oscuras o desordenadas son propensas a accidentes.
2. **No utilice las herramientas eléctricas en atmósferas explosivas, tal como en la presencia de líquidos, gases o polvo inflamables.** Las herramientas eléctricas crean chispas que pueden prender fuego al polvo o los humos.
3. **Mantenga a los niños y curiosos alejados mientras utiliza una herramienta eléctrica.** Las distracciones le pueden hacer perder el control.

Seguridad eléctrica

1. **Las clavijas de conexión de las herramientas eléctricas deberán encajar perfectamente en la toma de corriente. No modifique nunca la clavija de conexión de ninguna forma. No utilice ninguna clavija adaptadora con herramientas eléctricas que tengan conexión a tierra (puesta a tierra).** La utilización de clavijas no modificadas y que encajen perfectamente en la toma de corriente reducirá el riesgo de que se produzca una descarga eléctrica.
2. **Evite tocar con el cuerpo superficies conectadas a tierra o puestas a tierra tales como tubos, radiadores, cocinas y refrigeradores.** Si su cuerpo es puesto a tierra o conectado a tierra existirá un mayor riesgo de que sufra una descarga eléctrica.
3. **No exponga las herramientas eléctricas a la lluvia ni a condiciones húmedas.** La entrada de agua en una herramienta eléctrica aumentará el riesgo de que se produzca una descarga eléctrica.
4. **No maltrate el cable. Nunca utilice el cable para transportar, jalar o desconectar la herramienta eléctrica.** Mantenga el cable alejado del calor, aceite, objetos cortantes o piezas móviles. Los cables dañados o enredados aumentan el riesgo de sufrir una descarga eléctrica.
5. **Cuando utilice una herramienta eléctrica en exteriores, utilice un cable de extensión apropiado para uso en exteriores.** La utilización de un cable apropiado para uso en exteriores reducirá el riesgo de que se produzca una descarga eléctrica.
6. **Si no es posible evitar usar una herramienta eléctrica en condiciones húmedas, utilice un alimentador protegido con interruptor de circuito de falla a tierra (ICFT).** El uso de un ICFT reduce el riesgo de descarga eléctrica.
7. **Las herramientas eléctricas pueden producir campos electromagnéticos (CEM) que no son dañinos para el usuario.** Sin embargo, si los usuarios tienen marcapasos y otros dispositivos médicos similares, deberán consultar al fabricante de su dispositivo y/o a su médico antes de operar esta herramienta eléctrica.

Seguridad personal

1. **Manténgase alerta, preste atención a lo que está haciendo y utilice su sentido común cuando opere una herramienta eléctrica. No utilice una herramienta eléctrica cuando esté cansado o bajo la influencia de drogas, alcohol o medicamentos.** Un momento de distracción mientras opera las herramientas eléctricas puede terminar en una lesión grave.
2. **Use equipo de protección personal. Póngase siempre protección para los ojos.** El equipo protector tal como máscara contra el polvo, zapatos de seguridad antiderrapantes, casco rígido y protección para oídos utilizado en las condiciones apropiadas reducirá el riesgo de lesiones.
3. **Impida el encendido accidental. Asegúrese de que el interruptor esté en la posición de apagado antes de conectar a la alimentación eléctrica y/o de colocar el cartucho de batería, así como al levantar o cargar la herramienta.** Cargar las herramientas eléctricas con su dedo en el interruptor o enchufarlas con el interruptor encendido hace que los accidentes sean comunes.

4. **Retire cualquier llave de ajuste o llave de apriete antes de encender la herramienta.** Una llave de ajuste o llave de apriete que haya sido dejada puesta en una parte giratoria de la herramienta eléctrica puede ocasionar alguna lesión.
5. **No utilice la herramienta donde no alcance. Mantenga los pies sobre suelo firme y el equilibrio en todo momento.** Esto permite un mejor control de la herramienta eléctrica en situaciones inesperadas.
6. **Use una vestimenta apropiada. No use ropa suelta ni alhajas. Mantenga el cabello, la ropa y los guantes alejados de las piezas móviles.** Las prendas de vestir holgadas, las alhajas y el cabello largo suelto podrían engancharse en estas piezas móviles.
7. **Si dispone de dispositivos para la conexión de equipos de extracción y recolección de polvo, asegúrese de conectarlos y utilizarlos debidamente.** Hacer uso de la recolección de polvo puede reducir los riesgos relacionados con el polvo.
8. **No permita que la familiaridad adquirida debido al uso frecuente de las herramientas haga que se sienta confiado e ignore los principios de seguridad de las herramientas.** Un descuido podría ocasionar una lesión grave en una fracción de segundo.
9. **Utilice siempre gafas protectoras para proteger sus ojos de lesiones al usar herramientas eléctricas. Las gafas deben cumplir con la Norma ANSI Z87.1 en EUA.** Es responsabilidad del empleador imponer el uso de equipos protectores de seguridad apropiados a los operadores de la herramienta y demás personas cerca del área de trabajo.

Mantenimiento y uso de la herramienta eléctrica

1. **No fuerce la herramienta eléctrica. Utilice la herramienta eléctrica correcta para su aplicación.** La herramienta eléctrica adecuada hará un mejor trabajo y de forma más segura a la velocidad para la que ha sido fabricada.
2. **No utilice la herramienta eléctrica si el interruptor no la enciende y apaga.** Cualquier herramienta eléctrica que no pueda ser controlada con el interruptor es peligrosa y debe ser reemplazada.
3. **Desconecte la clavija de la fuente de alimentación y/o retire la batería de la herramienta eléctrica, en caso de ser removible, antes de realizar ajustes, cambiar accesorios o almacenar las herramientas eléctricas.** Tales medidas de seguridad preventivas reducirán el riesgo de poner en marcha la herramienta eléctrica de forma accidental.
4. **Guarde la herramienta eléctrica que no use fuera del alcance de los niños y no permita que las personas que no están familiarizadas con ella o con las instrucciones la operen.** Las herramientas eléctricas son peligrosas en manos de personas que no saben operarlas.
5. **Dé mantenimiento a las herramientas eléctricas y los accesorios. Compruebe que no haya piezas móviles desalineadas o estancadas, piezas rotas y cualquier otra condición que pueda afectar al funcionamiento de la herramienta eléctrica.** Si la herramienta eléctrica está dañada, haga que la reparen antes de utilizarla. Muchos de los accidentes son ocasionados por no dar un mantenimiento adecuado a las herramientas eléctricas.

6. **Mantenga las herramientas de corte limpias y filosas.** Si recibe un mantenimiento adecuado y tiene los bordes afilados, es probable que la herramienta se atasque menos y sea más fácil controlarla.
7. **Utilice la herramienta eléctrica, los accesorios y las brocas de acuerdo con estas instrucciones, considerando las condiciones laborales y el trabajo a realizar.** Si utiliza la herramienta eléctrica para realizar operaciones distintas de las indicadas, podrá presentarse una situación peligrosa.
8. **Mantenga los mangos y superficies de asimiento secos, limpios y libres de aceite o grasa.** Los mangos y superficies de asimiento resbalosos no permiten una manipulación segura ni el control de la herramienta en situaciones inesperadas.
9. **Cuando vaya a utilizar esta herramienta, evite usar guantes de trabajo de tela ya que éstos podrían atorarse.** Si los guantes de trabajo de tela llegan a atorarse en las piezas móviles, esto podría ocasionar lesiones personales.

Uso y cuidado de la herramienta a batería

1. **Recargue sólo con el cargador especificado por el fabricante.** Un cargador que es adecuado para un solo tipo de batería puede generar riesgo de incendio al ser utilizado con otra batería.
2. **Utilice las herramientas eléctricas solamente con las baterías designadas específicamente para ellas.** La utilización de cualquier otra batería puede crear un riesgo de lesiones o incendio.
3. **Cuando no se esté usando la batería, manténgala alejada de otros objetos metálicos, como sujetapapeles (clips), monedas, llaves, clavos, tornillos u otros objetos pequeños de metal los cuales pueden actuar creando una conexión entre las terminales de la batería.** Originar un cortocircuito en las terminales puede causar quemaduras o incendios.
4. **En condiciones abusivas, podrá escapar líquido de la batería; evite tocarlo. Si lo toca accidentalmente, enjuague con agua. Si hay contacto del líquido con los ojos, busque asistencia médica.** Puede que el líquido expulsado de la batería cause irritación o quemaduras.
5. **No utilice una herramienta ni una batería que estén dañadas o hayan sido modificadas.** Las baterías dañadas o modificadas podrían ocasionar una situación inesperada provocando un incendio, explosión o riesgo de lesiones.
6. **No exponga la herramienta ni la batería al fuego ni a una temperatura excesiva.** La exposición al fuego o a una temperatura superior a los 130 °C podría causar una explosión.
7. **Siga todas las instrucciones para la carga y evite cargar la herramienta o la batería fuera del rango de temperatura especificado en las instrucciones.** Una carga inadecuada o a una temperatura fuera del rango especificado podría dañar la batería e incrementar el riesgo de incendio.

Servicio

1. **Haga que una persona calificada repare la herramienta eléctrica utilizando sólo piezas de repuesto idénticas.** Esto asegura que se mantenga la seguridad de la herramienta eléctrica.
2. **Nunca dé servicio a baterías que estén dañadas.** El servicio a las baterías solamente deberá ser efectuado por el fabricante o un agente de servicio autorizado.

3. **Siga las instrucciones para la lubricación y cambio de accesorios.**
4. **No modifique ni intente reparar el aparato ni el paquete de baterías salvo como se indique en las instrucciones para el uso y cuidado.**

Advertencias de seguridad para la lijadora pulidora inalámbrica

Advertencias de Seguridad Comunes para las Operaciones de Lijado o Pulido:

1. **Esta herramienta eléctrica está diseñada para funcionar como una lijadora o pulidora. Lea todas las advertencias de seguridad, instrucciones, ilustraciones y especificaciones que se incluyen con esta herramienta eléctrica.** El no seguir todas las instrucciones indicadas a continuación podría provocar una descarga eléctrica, incendio o lesiones graves.
2. **Las operaciones tales como el esmerilado, cepillado con alambre o corte no están recomendadas para realizarse con esta herramienta eléctrica.** Las operaciones para las que esta herramienta eléctrica no está diseñada pueden representar un riesgo y ocasionar lesiones personales.
3. **No utilice accesorios que no hayan sido específicamente diseñados y recomendados por el fabricante de la herramienta.** Sólo porque un accesorio pueda instalarse en su herramienta eléctrica no garantiza una operación segura.
4. **La velocidad especificada para el accesorio debe ser por lo menos la misma que la velocidad máxima marcada en la herramienta eléctrica.** Los accesorios que vayan a una velocidad mayor que su velocidad especificada pueden romperse y desintegrarse.
5. **El diámetro exterior y el grosor de su accesorio deben estar dentro de la capacidad indicada de su herramienta eléctrica.** Los accesorios de tamaño incorrecto no podrán ser protegidos ni controlados adecuadamente.
6. **El ensartado de los accesorios debe encajar en la rosca del eje de la herramienta. Para los accesorios instalados por medio de bridas, el orificio del eje del accesorio debe encajar con el diámetro de ubicación de la brida.** Los accesorios que no encajen con el equipo de montaje de la herramienta eléctrica se desequilibrarán, vibrarán excesivamente y podrán causar la pérdida de control.
7. **No utilice accesorios dañados.** Antes de cada uso, inspeccione el accesorio tal como la almohadilla de soporte para verificar que no haya grietas, roturas o un desgaste excesivo. Si la herramienta eléctrica llega a caerse, inspeccione que no haya daños o instale un accesorio que no esté dañado. Después de inspeccionar e instalar un accesorio, colóquese usted y las personas alrededor lejos del plano del accesorio giratorio y haga funcionar la herramienta eléctrica a la velocidad máxima sin carga durante un minuto. Los accesorios dañados por lo general se romperán durante este tiempo de prueba.

8. **Utilice equipo de protección personal.** Dependiendo de la aplicación, use careta y gafas protectoras o de seguridad. Según resulte apropiado, use máscara contra polvo, protectores para oídos, guantes y mandil de trabajo que puedan detener pequeños fragmentos abrasivos o de la pieza de trabajo. La protección para los ojos deberá ser capaz de detener los residuos que salgan volando a causa de las distintas operaciones. La máscara contra polvo o respirador deberá ser capaz de filtrar las partículas generadas durante su operación. La exposición prolongada al ruido de alta intensidad podrá provocar pérdida auditiva.
9. **Mantenga a las personas alrededor a una distancia segura del área de trabajo. Cualquiera persona que ingrese al área de trabajo deberá usar equipo de protección personal.** Los fragmentos de la pieza de trabajo o de un accesorio roto podrán salir proyectados más allá del área inmediata de operación y causar lesiones.
10. **Cuando realice una operación en la que la herramienta de corte pueda entrar en contacto con cableado oculto, sujete la herramienta eléctrica por las superficies de aislamiento aisladas.** El contacto con un cable con corriente también hará que la corriente circule por las partes metálicas expuestas de la herramienta eléctrica y podrá ocasionar una descarga eléctrica al operador.
11. **Nunca deje la herramienta eléctrica hasta que el accesorio se haya detenido completamente.** El accesorio giratorio puede agarrar la superficie y jalar la herramienta eléctrica haciendo que usted pierda el control sobre ella.
12. **No tenga encendida la herramienta eléctrica mientras la lleva cargando a un costado.** El contacto accidental con el accesorio giratorio podría enganchar su ropa y jalar el accesorio hacia su cuerpo.
13. **Limpie regularmente los orificios de ventilación de la herramienta eléctrica.** El ventilador del motor atraerá el polvo hacia el interior de la carcasa y la acumulación excesiva de polvo metálico podrá ocasionar riesgos eléctricos.
14. **No utilice la herramienta eléctrica cerca de materiales inflamables.** Las chispas pueden prender fuego a estos materiales.
15. **No utilice accesorios que requieran refrigerantes líquidos.** El uso de agua u otros refrigerantes líquidos puede ocasionar una electrocución o descarga eléctrica.

Retrocesos bruscos y advertencias relacionadas

El retroceso brusco es una reacción repentina a un atoramiento o enganchamiento de la rueda giratoria, almohadilla de soporte, cepillo o cualquier otro accesorio. El atoramiento o enganchamiento ocasiona un rápido detenimiento del accesorio giratorio que a su vez causa que la herramienta eléctrica descontrolada sea forzada en la dirección opuesta al giro del accesorio en el punto de atascamiento.

Por ejemplo, si una rueda o disco abrasivo queda enganchada o atorada por la pieza de trabajo, el borde de la rueda que está entrando en el punto de atoramiento puede hundirse en la superficie del material haciendo que la rueda se salga o salte. La rueda podrá saltar ya sea hacia el operador o en dirección contraria a él, dependiendo de la dirección del movimiento de la rueda en el punto de atoramiento. Las ruedas abrasivas también pueden romperse en estas condiciones. El retroceso brusco es el resultado de un mal uso de la herramienta eléctrica y/o de procedimientos o condiciones de operación incorrectos y puede evitarse tomando las precauciones adecuadas tal como se indica a continuación.

1. **Mantenga sujeta firmemente la herramienta eléctrica y posicione su cuerpo y brazo de manera que pueda resistir las fuerzas del retroceso brusco. De estar disponible, utilice siempre el mango auxiliar para un control máximo durante un retroceso brusco o reacción de torsión durante la puesta en marcha de la herramienta.** El operador puede controlar las reacciones de torsión o fuerzas del retroceso brusco siempre y cuando se tomen las precauciones adecuadas.
2. **Nunca coloque su mano cerca del accesorio giratorio.** El accesorio puede tener un retroceso brusco sobre su mano.
3. **No posicione su cuerpo en el área donde la herramienta eléctrica pueda desplazarse en caso de ocurrir un retroceso brusco.** El retroceso brusco proyectará la herramienta en dirección opuesta al movimiento de la rueda en el punto de enganchamiento.
4. **Tenga especial cuidado al trabajar en esquinas, bordes filosos, etc. Evite que el accesorio rebote o se enganche.** Las esquinas, bordes filosos o rebotes tienden a enganchar el accesorio giratorio y ocasionar la pérdida de control o un retroceso brusco.
5. **No coloque una cadena de sierra, un disco para labrar madera ni un disco de la sierra dentado.** Dichos discos ocasionan con frecuencia un retroceso brusco y la pérdida de control.

Advertencias de seguridad específicas para las operaciones de lijado:

1. **No utilice papel de lijado para disco de tamaño excesivo. Siga las recomendaciones de los fabricantes cuando seleccione el papel de lijado.** Un papel de lijado de mayor tamaño que se extienda más allá de la almohadilla de lijado implica un riesgo de desgarramiento y podría ocasionar el enganchamiento o rotura del disco o un retroceso brusco.

Advertencias de seguridad específicas para las operaciones de pulido:

1. **No permita que ninguna sección suelta de la capucha pulidora o las cuerdas de su aditamento giren libremente. Recoja o recorte cualquier cuerda suelta del aditamento.** Las cuerdas sueltas del aditamento que estén girando pueden enredarse en sus dedos o engancharse en la pieza de trabajo.

Advertencias de seguridad adicionales:

1. Asegúrese de que la rueda no esté haciendo contacto con la pieza de trabajo antes de activar el interruptor.
2. Antes de utilizar la herramienta en una pieza de trabajo definitiva, déjala funcionar durante un rato. Observe si hay vibración o bamboleo que pueda indicar una instalación incorrecta o una rueda mal equilibrada.
3. Utilice la superficie especificada de la rueda para realizar el lijado o pulido.
4. No deje la herramienta funcionando. Mantenga en marcha la herramienta solamente cuando la esté sosteniendo con la mano.
5. No toque la pieza de trabajo inmediatamente después de la operación, ya que podría estar extremadamente caliente y provocarle quemaduras en la piel.
6. No toque los accesorios inmediatamente después de la operación, ya que podrían estar extremadamente calientes y provocarle quemaduras en la piel.
7. Siga las instrucciones del fabricante para la instalación y el uso correctos de las ruedas. Manipule y almacene las ruedas con cuidado.
8. Verifique que la pieza de trabajo esté debidamente apoyada.
9. Tenga en cuenta que la rueda continuará girando después de haber apagado la herramienta.
10. No utilice la herramienta con ningún material que contenga asbesto.
11. No utilice guantes de trabajo de tela durante la operación. Las fibras de los guantes de tela podrían introducirse en la herramienta ocasionando la rotura de ésta.

GUARDE ESTAS INSTRUCCIONES.

⚠ ADVERTENCIA: NO DEJE que la comodidad o familiaridad con el producto (a base de utilizarlo repetidamente) sustituya la estricta observancia de las normas de seguridad para dicho producto. El MAL USO o el no seguir las normas de seguridad establecidas en este manual de instrucciones puede ocasionar lesiones personales graves.

Símbolos

A continuación se muestran los símbolos utilizados para la herramienta.

v	volts o voltios
— — —	corriente directa o continua
n	velocidad especificada
... /min r /min	órbitas por minuto
∅	diámetro

Instrucciones importantes de seguridad para el cartucho de batería

1. Antes de utilizar el cartucho de batería, lea todas las instrucciones e indicaciones de precaución en el (1) el cargador de batería, (2) la batería, y (3) el producto con el que se utiliza la batería.
2. No desarme ni modifique el cartucho de batería. Podría ocurrir un incendio, calor excesivo o una explosión.
3. Si el tiempo de operación se ha acortado en exceso, deje de operar de inmediato. Podría correrse el riesgo de sobrecalentamiento, posibles quemaduras e incluso explosión.
4. En caso de que ingresen electrolitos en sus ojos, enjuáguelos bien con agua limpia y consulte de inmediato a un médico. Esto podría ocasionar pérdida de visión.
5. Evite cortocircuitar el cartucho de batería:
 - (1) No toque las terminales con ningún material conductor.
 - (2) Evite guardar el cartucho de batería en un cajón junto con otros objetos metálicos, tales como clavos, monedas, etc.
 - (3) No exponga el cartucho de batería al agua o la lluvia.

Un cortocircuito en la batería puede causar un flujo grande de corriente, sobrecalentamiento, posibles quemaduras e incluso una descompostura.

6. No guarde ni utilice la herramienta y el cartucho de batería en lugares donde la temperatura pueda alcanzar o exceder los 50 °C (122 °F).
7. Nunca incinere el cartucho de batería incluso en el caso de que esté dañado seriamente o ya no sirva en absoluto. El cartucho de batería puede explotar si se tira al fuego.
8. No clave, corte, aplaste, lance o deje caer el cartucho de batería, ni golpee un objeto sólido contra el cartucho de batería. Dicha acción podría resultar en un incendio, calor excesivo o en una explosión.
9. No use una batería dañada.
10. Las baterías de ión de litio están sujetas a los requisitos reglamentarios en materia de bienes peligrosos.

Para el transporte comercial, por ej., mediante terceros o agentes de transporte, se deben tomar en cuenta los requisitos especiales relativos al empaque y el etiquetado.

Para efectuar los preparativos del artículo que se va a enviar, se requiere consultar a un experto en materiales peligrosos. Si es posible, consulte además otras regulaciones nacionales más detalladas.

Pegue o cubra con cinta adhesiva los contactos abiertos y empaque la batería de manera que ésta no pueda moverse dentro del paquete.
11. Para deshacerse del cartucho de batería, sáquelo de la herramienta y deséchelo en un lugar seguro. Siga las regulaciones locales relacionadas al desecho de las baterías.

12. **Utilice las baterías únicamente con los productos especificados por Makita.** Instalar las baterías en productos que no cumplan con los requisitos podría ocasionar un incendio, un calentamiento excesivo, una explosión o una fuga de electrolito.
13. **Si no se utiliza la herramienta por un período largo, debe extraerse la batería de la herramienta.**
14. **El cartucho de batería podría absorber calor durante y después de su uso, lo que ocasionaría quemaduras o quemaduras a baja temperatura.** Tenga cuidado con la manipulación de los cartuchos de batería que estén calientes.
15. **No toque el terminal de la herramienta inmediatamente después de su uso, ya que el mismo podría estar lo suficientemente caliente como para provocarle quemaduras.**
16. **No permita que las rebabas, el polvo o la tierra queden atrapados en los terminales, orificios y ranuras del cartucho de batería.** Esto podría ocasionar un desempeño deficiente o descomposición de la herramienta o del cartucho de batería.
17. **No utilice el cartucho de batería cerca de cables eléctricos de alto voltaje, a menos que la herramienta sea compatible con el uso cercano a estos cables eléctricos de alto voltaje.** Esto podría ocasionar una avería o descomposición de la herramienta o del cartucho de batería.
18. **Mantenga la batería alejada de los niños.**

GUARDE ESTAS INSTRUCCIONES.

⚠PRECAUCIÓN: Utilice únicamente baterías originales de Makita. El uso de baterías no originales de Makita, o de baterías alteradas, puede ocasionar que las baterías exploten causando un incendio, lesiones personales y daños. Asimismo, esto invalidará la garantía de Makita para la herramienta y el cargador Makita.

Consejos para alargar al máximo la vida útil de la batería

1. **Cargue el cartucho de batería antes de que se descargue completamente. Pare siempre la operación y cargue el cartucho de batería cuando note menos potencia en la herramienta.**
2. **No cargue nunca un cartucho de batería que esté completamente cargado.** La sobrecarga acortará la vida de servicio de la batería.
3. **Cargue el cartucho de batería a una temperatura ambiente de 10 °C - 40 °C (50 °F - 104 °F).** Si un cartucho de batería está caliente, déjelo enfriar antes de cargarlo.
4. **Cuando no utilice el cartucho de batería, sáquelo de la herramienta o del cargador.**

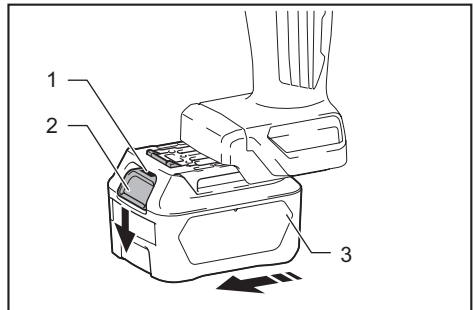
DESCRIPCIÓN DEL FUNCIONAMIENTO

⚠PRECAUCIÓN: Asegúrese siempre de que la herramienta esté apagada y el cartucho de batería haya sido extraído antes de realizar cualquier ajuste o comprobación en la herramienta.

Instalación o extracción del cartucho de batería

⚠PRECAUCIÓN: Apague siempre la herramienta antes de colocar o quitar el cartucho de batería.

⚠PRECAUCIÓN: Sujete la herramienta y el cartucho de la batería con firmeza al colocar o quitar el cartucho de batería. Si no se sujeta con firmeza la herramienta y el cartucho de batería, puede ocasionar que se resbalen de sus manos causando daños a la herramienta y al cartucho de batería, así como lesiones a la persona.



► 1. Indicador rojo 2. Botón 3. Cartucho de batería

Para quitar el cartucho de batería, deslícelo de la herramienta mientras desliza el botón sobre la parte delantera del cartucho.

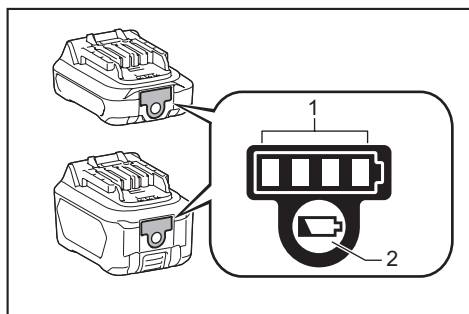
Para colocar el cartucho de batería, alinee la lengüeta sobre el cartucho de batería con la ranura en la carcasa y deslice en su lugar. Inserte por completo hasta que se fije en su lugar con un pequeño clic. Si puede ver el indicador rojo del lado superior del botón, esto indica que no ha quedado fijo por completo.

⚠PRECAUCIÓN: Introduzca siempre completamente el cartucho de batería hasta que el indicador rojo no pueda verse. Si no, podría accidentalmente salirse de la herramienta y caer al suelo causando una lesión a usted o alguien a su alrededor.

⚠PRECAUCIÓN: No instale el cartucho de batería a la fuerza. Si el cartucho no se desliza al interior fácilmente, se debe a que no está siendo insertado correctamente.

Indicación de la capacidad restante de la batería

Únicamente para cartuchos de batería con el indicador



► 1. Luces indicadoras 2. Botón de verificación

Oprima el botón de verificación en el cartucho de la batería para que indique la capacidad restante de la batería. Las luces indicadoras se iluminarán por algunos segundos.

Luces indicadoras		Capacidad restante
Iluminadas	Apagado	
■ ■ ■ ■	□ □ □ □	75% a 100%
■ ■ ■ □	□ □ □ □	50% a 75%
■ ■ □ □	□ □ □ □	25% a 50%
■ □ □ □	□ □ □ □	0% a 25%

NOTA: Dependiendo de las condiciones de uso y la temperatura ambiente, la indicación podrá diferir ligeramente de la capacidad real.

Sistema de protección para la herramienta/batería

La herramienta está equipada con un sistema de protección de la herramienta/batería. Este sistema corta en forma automática el suministro de energía al motor para prolongar la vida útil de la herramienta y la batería. La herramienta se detendrá automáticamente durante la operación si la herramienta o la batería se someten a una de las siguientes condiciones:

Protección contra sobrecarga

Cuando la herramienta o la batería se estén utilizando de una manera que cause que consuman una cantidad de corriente anormalmente alta, la herramienta se detendrá automáticamente sin indicación alguna. En este caso, apague la herramienta y detenga la aplicación que causó que la herramienta se sobrecargara. Luego encienda la herramienta para reiniciarla.

Protección contra sobrecalentamiento

Cuando la herramienta o la batería se sobrecalienten, la herramienta se detendrá automáticamente. En este caso, permita que la herramienta y la batería se enfríen antes de volver a encender la herramienta.

Protección en caso de sobredescarga

Cuando la capacidad de la batería no es suficiente, la herramienta se detiene automáticamente. En este caso, retire la batería de la herramienta y cárguela.

Accionamiento del interruptor

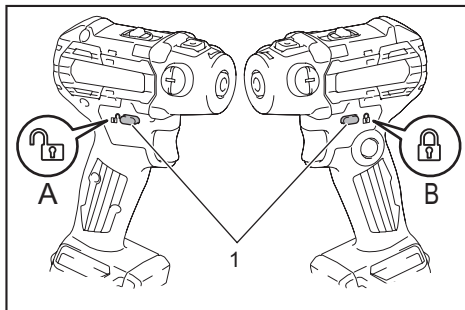
⚠PRECAUCIÓN: Antes de insertar el cartucho de batería en la herramienta, compruebe siempre y cerciórese de que el gatillo interruptor se acciona debidamente y que vuelve a la posición "OFF" (apagado) cuando lo suelta.

⚠PRECAUCIÓN: El interruptor puede bloquearse en la posición de encendido para la comodidad del operador durante el uso prolongado. Tenga cuidado al bloquear la herramienta en la posición de encendido y mantenga bien sujeta la herramienta.

⚠PRECAUCIÓN: No instale el cartucho de batería mientras el botón de bloqueo esté activado.

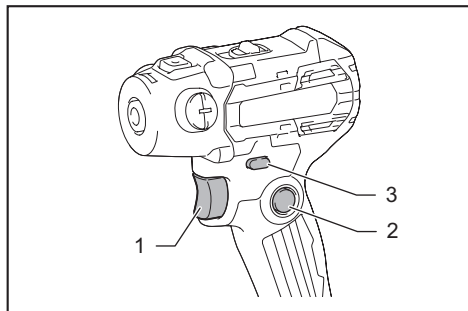
⚠PRECAUCIÓN: Cuando no vaya a utilizar la herramienta, oprima el botón de bloqueo del gatillo del lado **A** (🔒) para bloquear el gatillo interruptor en la posición de apagado.

El botón de bloqueo del gatillo es proporcionado para evitar que el gatillo interruptor sea jalado accidentalmente. Para arrancar la herramienta, oprima el botón de bloqueo del gatillo del lado **A** (🔒) y jale el gatillo interruptor. La velocidad de la herramienta aumenta al incrementar la presión en el gatillo interruptor. Para detenerla, suelte el gatillo interruptor. Cuando termine de usarla, oprima el botón de bloqueo del gatillo del lado **B** (🔒).



► 1. Botón de bloqueo del gatillo

Para una operación continua, oprima el botón de bloqueo mientras jala del gatillo interruptor y luego suelte el gatillo interruptor. Para detener la herramienta, jale el gatillo interruptor por completo, luego suéltelo.



- 1. Gatillo interruptor 2. Botón de bloqueo 3. Botón de bloqueo del gatillo

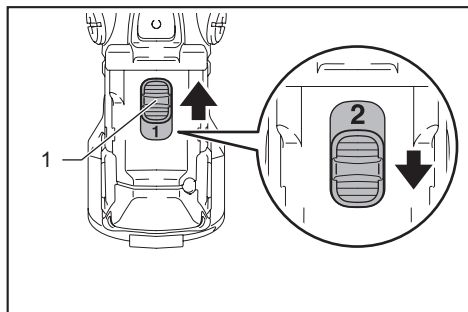
Palanca de cambio de velocidad

⚠PRECAUCIÓN: Coloque siempre la palanca de cambio de velocidad exactamente en la posición correcta. Si usted utiliza la herramienta con la palanca de cambio de velocidad puesta a medias entre la posición "1" y "2", la herramienta puede dañarse.

⚠PRECAUCIÓN: No utilice la palanca de cambio de velocidad mientras la herramienta está en marcha. La herramienta puede dañarse.

⚠PRECAUCIÓN: El uso continuo de la herramienta a bajas velocidades durante un tiempo prolongado provocará la sobrecarga del motor y un funcionamiento deficiente de la herramienta.

Para cambiar la velocidad, apague primero la herramienta. Presione la palanca de cambio de velocidad para desplegar "2" para velocidad alta o "1" para velocidad baja. Asegúrese de que la palanca de cambio de velocidad sea ajustada en la posición correcta antes de iniciar la operación. Utilice la velocidad correcta para su trabajo.



- 1. Palanca de cambio de velocidad

Número desplegado	Símbolo	Velocidad	Operación aplicable
2		Alta	Operación de lijado
1		Baja	Operación de pulido

Función para evitar el encendido accidental

Si instala el cartucho de batería mientras se jala el gatillo interruptor o se bloquea este mismo, la herramienta no arranca. Para arrancar la herramienta, suelte el gatillo interruptor y luego jale el mismo.

MONTAJE

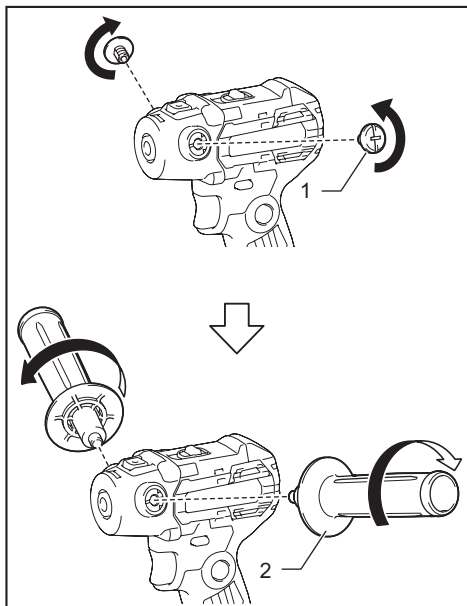
⚠PRECAUCIÓN: Asegúrese siempre de que la herramienta esté apagada y el cartucho de batería haya sido extraído antes de realizar cualquier trabajo en la misma.

Instalación de la empuñadura lateral

⚠PRECAUCIÓN: Apriete las tapas o la empuñadura lateral firmemente. De lo contrario, la cubierta frontal podría caerse y ocasionar una lesión.

Retire la tapa y atornille la empuñadura lateral firmemente a la herramienta.

La empuñadura lateral puede ser instalada en cualquiera de los lados de la herramienta.



- 1. Tapa 2. Empuñadura lateral

Instalación de la almohadilla de soporte

PRECAUCIÓN: Asegúrese de que la almohadilla de soporte quede asegurada debidamente.

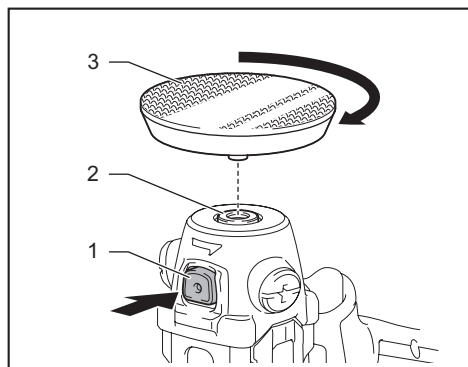
Un aditamento suelto se desequilibrará y ocasionará una vibración excesiva pudiendo causar la pérdida de control.

PRECAUCIÓN: Nunca accione el bloqueo del eje cuando éste se esté moviendo. Podría dañarse la herramienta.

NOTA: Limpie regularmente los accesorios y el eje para quitar el polvo y restos. Limpie los componentes con una tela humedecida en agua jabonosa si es necesario.

Sistema de enganche y cierre

Oprima hacia adentro el bloqueo del eje para evitar la rotación del eje, y enrosque la almohadilla de soporte en el eje. Apriete a mano firmemente.

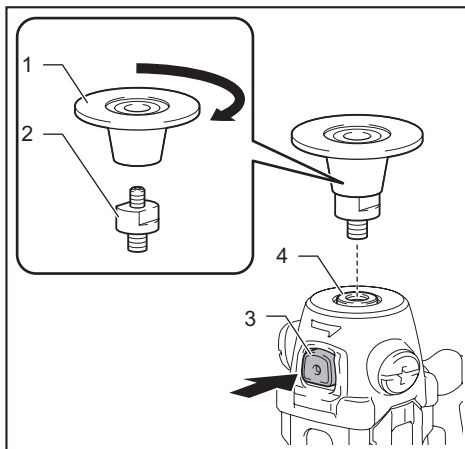


► 1. Bloqueo del eje 2. Eje 3. Almohadilla de soporte

Para extraer la almohadilla de soporte, siga el procedimiento de instalación en orden inverso.

Sistema enroscable/desenroscable

Atornille la almohadilla de soporte sobre el adaptador. Posteriormente, enrosque el otro extremo del adaptador en el eje mientras oprime hacia adentro el bloqueo del eje. Apriete a mano firmemente.



► 1. Almohadilla de soporte 2. Adaptador 3. Bloqueo del eje 4. Eje

Para extraer la almohadilla de soporte, siga el procedimiento de instalación en orden inverso.

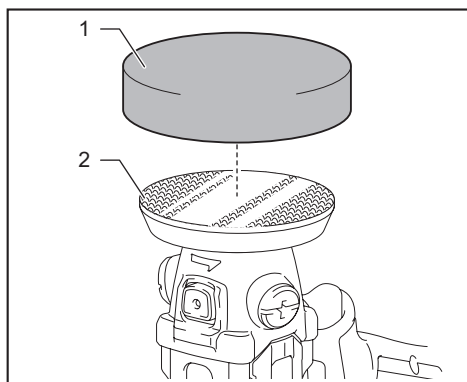
Instalación y remoción de la almohadilla de pulido

PRECAUCIÓN: Utilice únicamente las almohadillas con sistema de enganche y cierre para el pulido.

PRECAUCIÓN: Asegúrese de que la almohadilla y la almohadilla de soporte estén alineadas y debidamente instaladas. De lo contrario, la almohadilla ocasionará una vibración excesiva pudiendo causar la pérdida de control o la almohadilla podrá salir expulsada de la herramienta.

Elimine toda la suciedad y materias extrañas del sistema de enganche y cierre de una almohadilla y almohadilla de soporte. Coloque la almohadilla en la almohadilla de soporte de manera que sus bordes queden alineados.

Para extraer la almohadilla de la almohadilla de soporte, simplemente júela tomándola por el borde.



► 1. Almohadilla 2. Almohadilla de soporte

Instalación de disco abrasivo

Accesorio opcional

⚠PRECAUCIÓN: Utilice los discos de sistema enroscable/desenroscable para lijado solamente.

Selección del disco

⚠PRECAUCIÓN: El diámetro externo del accesorio debe estar dentro de la capacidad indicada de la herramienta eléctrica.

⚠PRECAUCIÓN: La velocidad especificada para el accesorio debe ser igual o mayor que la velocidad máxima marcada en la herramienta eléctrica.

Siempre utilice la rueda de tamaño correcto que esté hecha con materiales abrasivos adecuados, con el tamaño correcto de grano para su trabajo.

Materiales del disco abrasivo

Materiales abrasivos	Características básicas	Aplicaciones prácticas
Óxido de aluminio	El mejor para acero, acero inoxidable y metales. Material abrasivo monocristalino de alta tenacidad y durabilidad.	Lijado rápido Para la mayoría de los trabajos en metal
Alúmina y zirconia	El mejor para acero inoxidable y metales. Material abrasivo extremadamente afilado y duro de alta durabilidad.	Para quitar pintura de automóviles y barcos, etc.
Cerámica	El mejor para acero inoxidable, metales y materiales no ferrosos. Extremadamente afilado y altamente resistente a golpes/calor/desgaste.	Trabajo general con metales

Tamaño de grano

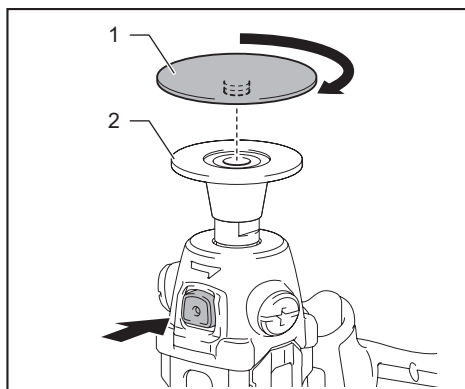
Grano	Aplicaciones prácticas
24/36 (grosso)	Remoción de material grueso
60/80	Remoción de material medio
120 (fino)	Acabado

Instalación y extracción del disco abrasivo

⚠PRECAUCIÓN: Asegúrese de que la almohadilla de soporte quede asegurada debidamente. Un aditamento suelto se desequilibrará y ocasionará una vibración excesiva pudiendo causar la pérdida de control.

Retire toda la suciedad y materias extrañas de la almohadilla de soporte. Enrosque un disco abrasivo sobre la almohadilla de soporte mientras oprime hacia adentro el bloqueo del eje. Apriete a mano firmemente.

Para extraer el disco de la almohadilla de soporte, siga el procedimiento de instalación en orden inverso.



► 1. Disco abrasivo 2. Almohadilla de soporte

OPERACIÓN

⚠PRECAUCIÓN: Utilice únicamente almohadillas para pulido originales de Makita.

⚠PRECAUCIÓN: Utilice únicamente el disco abrasivo para lijado original de Makita (accesorios opcionales).

⚠PRECAUCIÓN: Asegúrese de que el material de trabajo esté asegurado y estable. La caída de algún objeto podría causar lesiones personales.

⚠PRECAUCIÓN: Sujete la herramienta firmemente con una mano en el mango interruptor y con la otra mano en la empuñadura lateral al estar usando la herramienta.

⚠PRECAUCIÓN: No ponga en marcha la herramienta con una carga excesiva durante un período prolongado. Esto podría ocasionar una avería de la herramienta y causar una descarga eléctrica, un incendio y/o lesiones graves.

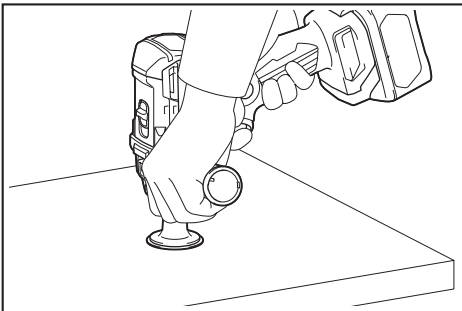
⚠PRECAUCIÓN: Tenga cuidado de no tocar la pieza giratoria.

⚠PRECAUCIÓN: Antes de operar la herramienta, asegúrese de que la empuñadura lateral o las tapas no estén sueltas. Si la empuñadura lateral o las tapas están sueltas, la cubierta frontal podría caerse y ocasionar una lesión.

AVISO: Nunca fuerce la herramienta. Una presión excesiva puede disminuir la eficacia del pulido, dañar la almohadilla o acortar la vida útil de la herramienta.

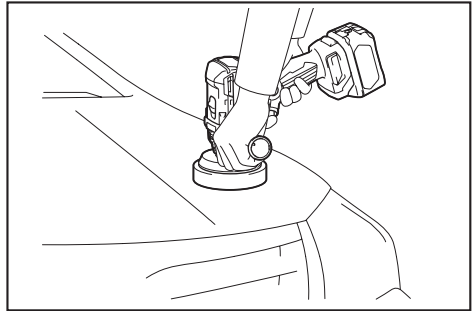
AVISO: La operación continua a alta velocidad podría dañar la superficie de trabajo.

Operación general



1. Asegúrese de que la pieza de trabajo esté apoyada correctamente y que ambas manos estén libres para controlar la herramienta.
2. Sujete la herramienta firmemente con una mano en el mango interruptor y con la otra mano en la empuñadura lateral.
3. Encienda la herramienta, permitiendo que la rueda alcance su velocidad completa y luego realice la operación con cuidado, moviendo la herramienta hacia adelante sobre la superficie de la pieza de trabajo.
4. Una vez concluido, apague la herramienta y espere hasta que la rueda se haya detenido por completo antes de dejar la herramienta.

Operación de pulido



1. Tratamiento de la superficie

Utilice una almohadilla de lana para un acabado grueso y luego use una almohadilla de esponja para un acabado fino.

2. Enцерado

Utilice una almohadilla de esponja. Aplique cera en la almohadilla de esponja o sobre la superficie de trabajo. Haga funcionar la herramienta a baja velocidad para distribuir la cera.

⚠PRECAUCIÓN: No aplique cera ni agente pulidor en exceso. Esto generará más polvo y podrá causar enfermedades de los ojos o respiratorias.

NOTA: Primero, haga una prueba encerando una porción no visible de la superficie de trabajo. Asegúrese de que la herramienta no rayará la superficie ni que la cera será distribuida de forma pareja.

3. Remoción de cera

Utilice una almohadilla de esponja. Haga funcionar la herramienta para retirar la cera.

4. Pulido

Aplique una almohadilla de esponja suavemente sobre la superficie de trabajo.

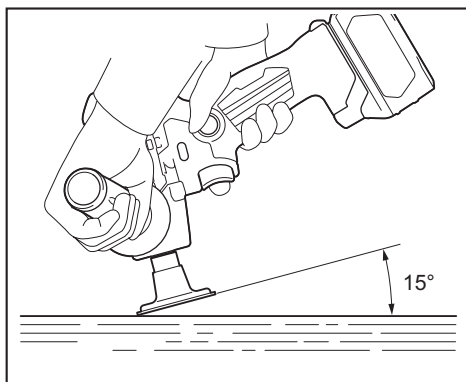
Operación de lijado

⚠PRECAUCIÓN: No encienda nunca la herramienta cuando ésta esté en contacto con la pieza de trabajo, esto podría ocasionar lesiones al operador.

⚠PRECAUCIÓN: Nunca ponga en marcha la herramienta sin el disco abrasivo. Podría dañar seriamente la almohadilla.

⚠PRECAUCIÓN: Use siempre gafas de seguridad o careta durante la operación.

⚠PRECAUCIÓN: Después de la operación, apague siempre la herramienta y espere hasta que el disco se haya detenido por completo antes de dejar la herramienta.



SIEMPRE sujete la herramienta firmemente con una mano en el mango trasero y la otra en el mango lateral. Encienda la herramienta y luego aplique el disco abrasivo a la pieza de trabajo. En general, mantenga el disco abrasivo en un ángulo de aproximadamente 15 grados con respecto a la superficie de la pieza de trabajo. Aplique una ligera presión solamente. La presión excesiva dará como resultado un rendimiento deficiente y un desgaste prematuro del disco abrasivo.

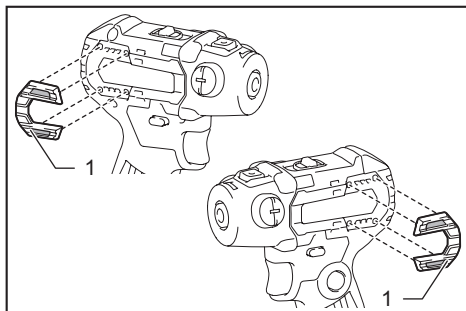
MANTENIMIENTO

⚠PRECAUCIÓN: Asegúrese siempre de que la herramienta esté apagada y el cartucho de batería extraído antes de intentar realizar una inspección o mantenimiento.

AVISO: Nunca use gasolina, bencina, diluyente (tiner), alcohol o sustancias similares. Puede que esto ocasione grietas o descoloramiento.

Para mantener la SEGURIDAD y FIABILIDAD del producto, las reparaciones, y cualquier otra tarea de mantenimiento o ajuste deberán ser realizadas en centros de servicio autorizados o de fábrica Makita, empleando siempre repuestos Makita.

Limpieza de las cubiertas contra polvo



► 1. Cubierta contra polvo

Limpie regularmente las cubiertas contra polvo en las ventilaciones de entrada para una circulación de aire suave. Extraiga las cubiertas contra polvo y limpie la malla.

ACCESORIOS OPCIONALES

⚠PRECAUCIÓN: Estos accesorios o aditamentos están recomendados para utilizarse con su herramienta Makita especificada en este manual. El empleo de cualquier otro accesorio o aditamento puede conllevar el riesgo de lesiones personales. Utilice los accesorios o aditamentos solamente para su fin establecido.

Si necesita cualquier ayuda para más detalles en relación con estos accesorios, pregunte a su centro de servicio local Makita.

- Almohadilla de lana
- Almohadilla de esponja (amarilla)
- Almohadilla de esponja (blanca)
- Almohadilla mágica
- Almohadilla enroscable/desenroscable
- Batería y cargador originales de Makita

NOTA: Algunos de los artículos en la lista pueden incluirse en el paquete de la herramienta como accesorios estándar. Éstos pueden variar de país a país.

GARANTÍA LIMITADA DE MAKITA

Ésta Garantía no aplica para México

Consulte la hoja de la garantía anexa para ver los términos más vigentes de la garantía aplicable a este producto. En caso de no disponer de esta hoja de garantía anexa, consulte los detalles sobre la garantía descritos en el sitio web de su país respectivo indicado a continuación.

Estados Unidos de América: www.makitatools.com

Canadá: www.makita.ca

Otros países: www.makita.com

< USA only >

WARNING

Some dust created by power sanding, sawing, grinding, drilling, and other construction activities contains chemicals known to the State of California to cause cancer, birth defects or other reproductive harm. Some examples of these chemicals are:

- lead from lead-based paints,
- crystalline silica from bricks and cement and other masonry products, and
- arsenic and chromium from chemically-treated lumber.

Your risk from these exposures varies, depending on how often you do this type of work. To reduce your exposure to these chemicals: work in a well ventilated area, and work with approved safety equipment, such as those dust masks that are specially designed to filter out microscopic particles.

< Sólo en los Estados Unidos >

ADVERTENCIA

Algunos polvos creados por el lijado, aserrado, esmerilado, taladrado y otras actividades de la construcción contienen sustancias químicas reconocidas por el Estado de California como causantes de cáncer, defectos de nacimiento y otros peligros de reproducción. Algunos ejemplos de estos productos químicos son:

- plomo de pinturas a base de plomo,
- sílice cristalino de ladrillos y cemento y otros productos de albañilería, y
- arsénico y cromo de maderas tratadas químicamente.

El riesgo al que se expone varía, dependiendo de la frecuencia con la que realice este tipo de trabajo. Para reducir la exposición a estos productos químicos: trabaje en un área bien ventilada y póngase el equipo de seguridad indicado, tal como las máscaras contra polvo que están especialmente diseñadas para filtrar partículas microscópicas.

Makita Corporation

3-11-8, Sumiyoshi-cho,
Anjo, Aichi 446-8502 Japan

www.makita.com

885842-948
VP01-1
EN, ESMX
20200918