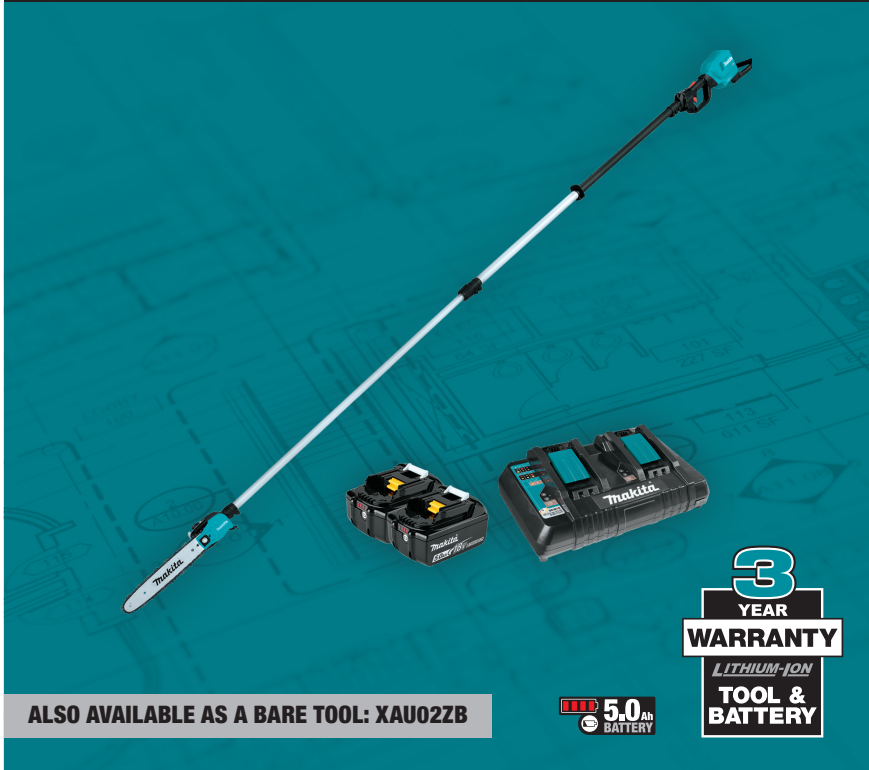


# 18V X2 (36V) LXT® LITHIUM-ION BRUSHLESS CORDLESS 10" TELESCOPING POLE SAW KIT, 13' LENGTH (5.0AH)



ALSO AVAILABLE AS A BARE TOOL: XAU02ZB

5.0Ah BATTERY

3 YEAR WARRANTY  
LITHIUM-ION TOOL & BATTERY



## NEW TOOL OVERVIEW XAU02PTB

### LXT® X2 18V + 18V 36V BRUSHLESS

#### FEATURES

- Telescoping shaft easily adjusts length from 9 ft. to 13 ft. allowing access to hard-to-reach branches
- Makita-built BL™ Brushless Motor delivers power of a 30cc gas pole saw
- Up to 140 cuts in 4x4 cedar with two 18V LXT® 5.0Ah batteries
- 20% faster cutting speed than a 31.4cc gas engine pole saw
- Torque boost mode powers through thick or hard branches
- Lateral chain tensioning with single stud for efficient chain retention
- Captured bar nut is retained in sprocket cover for convenient setup and maintenance
- Branch hook for pulling trimmed branches from trees

#### SPECIFICATIONS

|                              |                         |
|------------------------------|-------------------------|
| Guide Bar Length             | 10"                     |
| Pitch                        | 3/8" LP                 |
| Gauge                        | .050"                   |
| Chain Speed                  | 3,940 FPM               |
| Overall Length (ft.)         | 9' - 13'                |
| Net Weight (with battery)    | 18.1 lbs.               |
| Net Weight (without battery) | 15.3 lbs.               |
| Shipping Weight              | 35.94 lbs.              |
| UPC Code                     | 088381-723732           |
| Battery                      | 2X 18V LXT® Lithium-Ion |
| Power Type                   | Cordless                |

#### PRODUCT HIGHLIGHTS



##### DESIGN

Telescoping shaft easily adjusts from 9 ft. to 13 ft. allowing access to hard-to-reach branches



##### RUN TIME

Up to 140 cuts in 4x4 cedar with two 18V LXT® 5.0Ah batteries



##### POWER

Makita-built BL™ Brushless Motor delivers power of a 30cc gas pole saw



##### SPEED

20% faster cutting speed than a 31.4cc gas engine pole saw

#### STANDARD EQUIPMENT

##### XAU02PTB

- (2) 18V LXT® Lithium-Ion 5.0Ah Battery (BL1850B)
- 18V LXT® Lithium-Ion Dual Port Charger (DC18RD)
- 10" Saw Chain, 3/8" LP, .050"
- 10" Guide Bar, 3/8" LP, .050"
- 10" Chain Cover

##### XAU02ZB

- 10" Saw Chain, 3/8" LP, .050"
- 10" Guide Bar, 3/8" LP, .050"
- 10" Chain Cover

#### RELATED PRODUCTS

1. 18V X2 (36V) LXT® Brushless 10" Pole Saw Kit, 8' Length (XAU01PTB)
2. 10" Pole Saw Couple Shaft Attachment (EY401MP)
3. 18V X2 (36V) LXT® Brushless Couple Shaft Power Head (XUX01Z)
4. 18V LXT® Brushless Power Head (XUX02Z)
5. Bar and Chain Oil, 1 Gallon (181116-A)

