

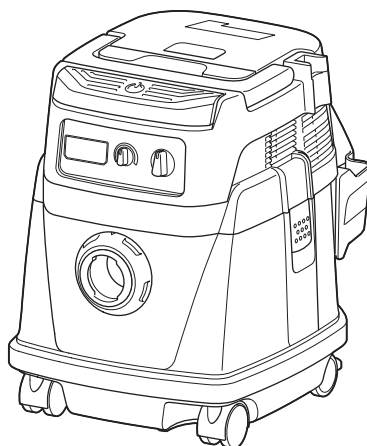
INSTRUCTION MANUAL  
MANUAL DE INSTRUCCIONES



# Corded and Cordless Vacuum Cleaner

## Aspiradora Alámbrica / Inalámbrica

**XCV12**  
**XCV13**



DOUBLE INSULATION  
DOBLE AISLAMIENTO

**IMPORTANT:** Read Before Using.  
**IMPORTANTE:** Lea antes de usar.

## SPECIFICATIONS

Model:		XCV12	XCV13
Standard filter type		Cloth filter (for dry and wet dust)	Powder filter (for dry dust)
Volume flow (air)	DC operation (with BL1850B, ø38 mm (1-1/2") x 2.5 m (98-1/2") hose)	2.1 m <sup>3</sup> /min (74 cu.ft./min)	
	AC operation (with ø38 mm (1-1/2") x 2.5 m (98-1/2") hose)	3.6 m <sup>3</sup> /min (127 cu.ft./min)	
Vacuum	DC operation (with BL1850B, ø38 mm (1-1/2") x 2.5 m (98-1/2") hose)	9.0 kPa	
	AC operation (with ø38 mm (1-1/2") x 2.5 m (98-1/2") hose)	24.0 kPa	
Recoverable capacity	Dust	15 L (4.0 gal)	
	Water	12 L (3.2 gal)	-
Dimensions (L x W x H)		366 mm x 334 mm x 421 mm ( 14-3/8" x 13-1/8" x 16-1/2" )	
Rated voltage		D.C. 36 V	
Net weight		8.9 - 9.6 kg ( 19.7 - 21.1 lbs)	9.6 - 10.3 kg ( 21.2 - 22.6 lbs)
Safety class		Ⓜ/II	

- Due to our continuing program of research and development, the specifications herein are subject to change without notice.
- Specifications and battery cartridge may differ from country to country.
- The weight does not include accessories but battery cartridge(s). The lightest and heaviest combination weight of the appliance and battery cartridge(s) are shown in the table.
- For wet dust, the float and the water filter or cloth filter are required.

### Applicable battery cartridge and charger

Battery cartridge	BL1815N / BL1820B / BL1830 / BL1830B / BL1840B / BL1850B / BL1860B
Charger	DC18RC / DC18RD / DC18RE / DC18SD / DC18SE / DC18SF

- Some of the battery cartridges and chargers listed above may not be available depending on your region of residence.

**⚠WARNING:** Only use the battery cartridges and chargers listed above. Use of any other battery cartridges and chargers may cause injury and/or fire.

## SAFETY WARNINGS

## IMPORTANT SAFETY INSTRUCTIONS

## READ ALL INSTRUCTIONS BEFORE USING THIS APPLIANCE.

When using an electrical appliance, basic precautions should always be followed, including the following:

# WARNING

To reduce the risk of fire, electric shock or injury:

1. Do not leave appliance when plugged in or battery fitted. Unplug from outlet and remove battery from appliance when not in use and before servicing.
2. Do not allow to be used as a toy. Close attention is necessary when used by or near children.
3. Use only as described in this manual. Use only manufacturer's recommended attachments.
4. Do not use with damaged cord, plug or battery. If appliance is not working as it should, has been dropped, damaged, left outdoors, or dropped into water, return it to a service center.
5. Do not pull or carry by cord, use cord as a handle, close a door on cord, or pull cord around sharp edges or corners. Do not run appliance over cord. Keep cord away from heated surfaces.
6. Do not unplug by pulling on cord. To unplug, grasp the plug, not the cord.
7. Do not handle plug or appliance with wet hands.
8. Do not put any object into openings. Do not use with any opening blocked; keep free of dust, lint, hair, and anything that may reduce air flow.
9. Keep hair, loose clothing, fingers, and all parts of body away from openings and moving parts.
10. Turn off all controls before unplugging or removing the battery cartridge.
11. Use extra care when cleaning on stairs.
12. Do not use to pick up flammable or combustible liquids, such as gasoline, or use in areas where they may be present.
13. Use only the charger supplied by the manufacturer to recharge.
14. Do not pick up anything that is burning or smoking, such as cigarettes, matches, or hot ashes.
15. This appliance is provided with double insulation. Use only identical replacement parts. See instructions for Servicing of Double-Insulated Appliances.
16. Do not use without filters in place. Replace a damaged filter immediately.
17. Do not charge the battery outdoors.
18. (For the powder filter models.) Do not use on wet surfaces. Do not expose to rain. Store indoors.
19. (For the cloth filter models.) Do not expose to rain. Store indoors.
20. Always install float before any wet pick-up operation.
21. Do not use the cleaner as a stool or work bench. The machine may fall down and may result in personal injury.
22. Do not vacuum the following:
  - Flammable liquid (kerosene, gasoline, solvents such as benzine, thinner, etc.)
  - Hot substances that are burning or smoking (cigarettes, matches, incense sticks, candles, hot ashes), sparks and metal dust generated by cutting or grinding metal, etc.
  - Flammable material (toner, paint, spray, etc.)
  - Foam like carpet cleaning agent, etc. (they may cause explosion or fire)
  - Explosive or pyrophoric substances (nitroglycerin, aluminum, magnesium, titanium, zinc, red phosphorus, yellow phosphorus, celluloid, etc. and their dust, gas or steam)
  - Sharp objects (glass, cutlery, wood splinter, metal, stone, nail, razor, push pin, etc.)
  - Solidifying and conductive fine powder (metal or carbon powder)
  - Dehumidifier
  - Large amount of powder (flour, fire extinguisher powder, etc.)
  - Substances that cause toxic symptoms
  - Aggressive chemicals (acid, leach, etc.)
  - Liquid or damp garbage, including vomit and excreta
  - Asbestos
  - Pesticides

Such action may cause fire, injury and/or property damage.

To reduce your exposure to these chemicals, always wear approved respiratory protection such as dust masks that are specially designed to filter out microscopic particles. Direct the exhaust air away from your face and body.

**NOTE:** Read the OSHA regulation on silica dust to understand the requirements needed to reduce exposure to silica dust at the job-site. Specific rules apply to the drilling, demolition cutting and grinding materials that contain silica. All OSHA requirements regarding reducing silica dust can be found at the OSHA website: [www.osha.gov](http://www.osha.gov).

## Battery tool use and care

1. **Prevent unintentional starting.** Ensure the switch is in the off-position before connecting to battery pack, picking up or carrying the appliance. Carrying the appliance with your finger on the switch or energizing appliance that have the switch on invites accidents.
2. **Disconnect the battery pack from the appliance before making any adjustments, changing accessories, or storing appliance.** Such preventive safety measures reduce the risk of starting the appliance accidentally.
3. **Recharge only with the charger specified by the manufacturer.** A charger that is suitable for one type of battery pack may create a risk of fire when used with another battery pack.
4. **Use appliances only with specifically designated battery packs.** Use of any other battery packs may create a risk of injury and fire.
5. **When battery pack is not in use, keep it away from other metal objects, like paper clips, coins, keys, nails, screws or other small metal objects, that can make a connection from one terminal to another.** Shorting the battery terminals together may cause burns or a fire.

6. **Under abusive conditions, liquid may be ejected from the battery; avoid contact. If contact accidentally occurs, flush with water. If liquid contacts eyes, additionally seek medical help.** Liquid ejected from the battery may cause irritation or burns.
7. **Do not use a battery pack or appliance that is damaged or modified. Damaged or modified batteries may exhibit unpredictable behaviour resulting in fire, explosion or risk of injury.**
8. **Do not expose a battery pack or appliance to fire or excessive temperature. Exposure to fire or temperature above 130 °C may cause explosion.**
9. **Follow all charging instructions and do not charge the battery pack or appliance outside of the temperature range specified in the instructions.** Charging improperly or at temperatures outside of the specified range may damage the battery and increase the risk of fire.
10. **Have servicing performed by a qualified repair person using only identical replacement parts.** This will ensure that the safety of the product is maintained.
11. **Do not modify or attempt to repair the appliance or the battery pack except as indicated in the instructions for use and care.**

## SERVICING OF DOUBLE-INSULATED APPLIANCES

A double-insulated appliance is marked with one or more of the following: The words "DOUBLE INSULATION" or "DOUBLE INSULATED" or the double insulation symbol (square within a square).

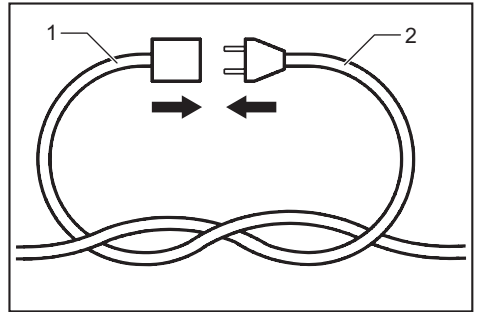


In a double-insulated appliance, two systems of insulation are provided instead of grounding. No grounding means is provided on a double-insulated appliance, nor should a means for grounding be added to the appliance. Servicing a double-insulated appliance requires extreme care and knowledge of the system, and should be done only by qualified service personnel. Replacement parts for a double-insulated appliance must be identical to the parts they replace.

## Polarization instructions

1. To reduce the risk of electric shock, this appliance has a polarized plug (one blade is wider than the other) and will require the use of a polarized extension cord. The appliance plug will fit into a polarized extension cord only one way. If the plug does not fit fully into the extension cord, reverse the plug. If the plug still does not fit, obtain a correct polarized extension cord. A polarized extension cord will require the use of a polarized wall outlet. This plug will fit into the polarized wall outlet only one way. If the plug does not fit fully into the wall outlet, reverse the plug. If the plug still does not fit, contact a qualified electrician to install the proper wall outlet. Do not change the equipment plug, extension cord receptacle, or extension cord plug in any way.
2. **Warning – To reduce the risk of personal injury due to a loose electrical connection between the appliance’s plug and extension cord, firmly and fully attach the appliance plug to the extension cord. Periodically check the connection while operating to ensure it is fully attached. Do not use an extension cord that provides a loose connection. A loose connection may result in overheating, fire, and increases the risk of a burning.**

3. To reduce the risk of disconnection of the appliance cord from the extension cord during operating, make a knot as shown in the Figure.



► 1. Cord set 2. Appliance cord

4. **Maintain Appliance With Care – Inspect extension cords periodically and replace if damaged.**

## Extension cord

**USE PROPER EXTENSION CORD.** Make sure your extension cord is in good condition. When using an extension cord, be sure to use one heavy enough to carry the current your product will draw. An undersized cord will cause a drop in line voltage resulting in loss of power and overheating. Table 1 shows the correct size to use depending on cord length and nameplate ampere rating. If in doubt, use the next heavier gage. The smaller the gage number, the heavier the cord.

Table 1: Minimum gage for cord




Ampere Rating		Volts	Total length of cord in feet			
			25 ft.	50 ft.	100 ft.	150 ft.
		120V	25 ft.	50 ft.	100 ft.	150 ft.
		220V - 240V	50 ft.	100 ft.	200 ft.	300 ft.
More Than	Not More Than	AWG				
0 A	6 A	–	18	16	16	14
6 A	10 A		18	16	14	12
10 A	12 A		16	16	14	12
12 A	16 A		14	12	Not Recommended	

# SAVE THESE INSTRUCTIONS.

This appliance is intended for commercial use.

# Symbols

The followings show the symbols used for tool.

v	volts
— — —	direct current
	Take particular care and attention.
	Never stand on the cleaner.
~	alternating current
A	amperes
Hz	hertz
	Class II Construction

## Important safety instructions for battery cartridge

1. **Before using battery cartridge, read all instructions and cautionary markings on (1) battery charger, (2) battery, and (3) product using battery.**
2. **Do not disassemble battery cartridge.**
3. **If operating time has become excessively shorter, stop operating immediately. It may result in a risk of overheating, possible burns and even an explosion.**
4. **If electrolyte gets into your eyes, rinse them out with clear water and seek medical attention right away. It may result in loss of your eyesight.**
5. **Do not short the battery cartridge:**
  - (1) **Do not touch the terminals with any conductive material.**
  - (2) **Avoid storing battery cartridge in a container with other metal objects such as nails, coins, etc.**
  - (3) **Do not expose battery cartridge to water or rain.**

**A battery short can cause a large current flow, overheating, possible burns and even a breakdown.**

6. **Do not store the tool and battery cartridge in locations where the temperature may reach or exceed 50 °C (122 °F).**
7. **Do not incinerate the battery cartridge even if it is severely damaged or is completely worn out. The battery cartridge can explode in a fire.**
8. **Be careful not to drop or strike battery.**
9. **Do not use a damaged battery.**
10. **The contained lithium-ion batteries are subject to the Dangerous Goods Legislation requirements. For commercial transports e.g. by third parties, forwarding agents, special requirement on packaging and labeling must be observed. For preparation of the item being shipped, consulting an expert for hazardous material is required. Please also observe possibly more detailed national regulations. Tape or mask off open contacts and pack up the battery in such a manner that it cannot move around in the packaging.**
11. **Follow your local regulations relating to disposal of battery.**
12. **Use the batteries only with the products specified by Makita. Installing the batteries to non-compliant products may result in a fire, excessive heat, explosion, or leak of electrolyte.**

## SAVE THESE INSTRUCTIONS.

**⚠ CAUTION:** Only use genuine Makita batteries. Use of non-genuine Makita batteries, or batteries that have been altered, may result in the battery bursting causing fires, personal injury and damage. It will also void the Makita warranty for the Makita tool and charger.

### Tips for maintaining maximum battery life

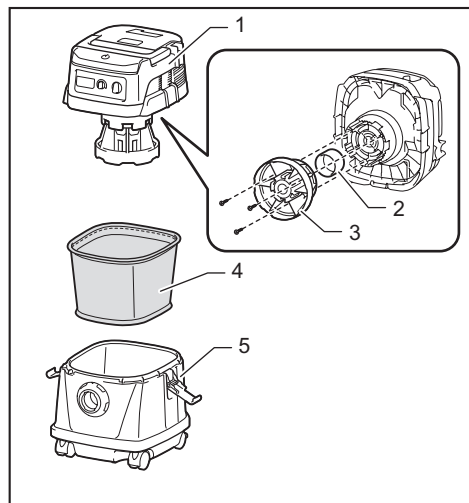
1. **Charge the battery cartridge before completely discharged. Always stop tool operation and charge the battery cartridge when you notice less tool power.**
2. **Never recharge a fully charged battery cartridge. Overcharging shortens the battery service life.**
3. **Charge the battery cartridge with room temperature at 10 °C - 40 °C (50 °F - 104 °F). Let a hot battery cartridge cool down before charging it.**

- Charge the battery cartridge if you do not use it for a long period (more than six months).

## PARTS DESCRIPTION

### Model XCV12

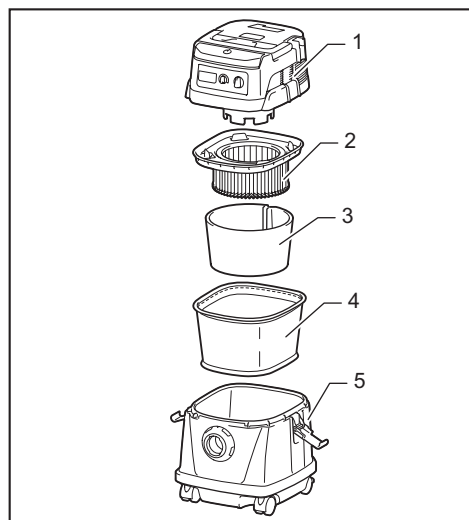
(Cloth filter (for dry and wet dust) model)



- 1. Tank cover 2. Float 3. Float cage 4. Cloth filter  
5. Tank

### Model XCV13

(Powder filter (for dry dust) model)



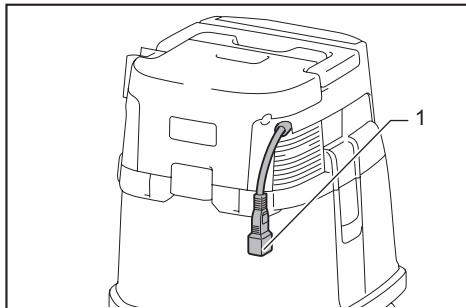
- 1. Tank cover 2. Powder filter (HEPA) 3. Damper  
4. Prefilter 5. Tank

## FUNCTIONAL DESCRIPTION

### Use with AC power:

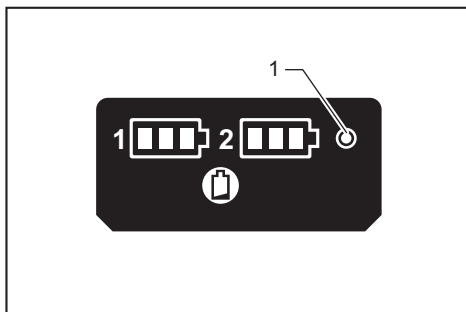
**⚠ WARNING:** Before plugging the cleaner, always make sure that the cleaner is switched off. Plugging the cleaner with the switch on may cause an unexpected start resulting in serious personal injury.

Connect the plug to a power supply.



- 1. Plug (the shape and cord length may differ from country to country)

The AC power indicator lights up when setting the stand-by switch to "I" side.



- 1. AC power indicator

**NOTE:** Even operating in DC power mode, the cleaner is automatically changed into AC power mode when plugged in.

**NOTE:** If the cleaner is unplugged during operation with the battery inserted, the cleaner gets into stand-by state.

### Use with battery:

**⚠ CAUTION:** Always be sure that the cleaner is switched off, unplugged, and the battery cartridge is removed before adjusting or checking function on the cleaner.

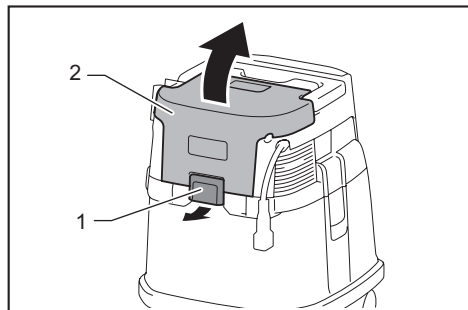
## Installing or removing battery cartridge

**CAUTION:** Always switch off the tool before installing or removing of the battery cartridge.

**CAUTION:** Hold the cleaner and the battery cartridge firmly when installing or removing battery cartridge. Failure to hold the cleaner and the battery cartridge firmly may cause them to slip off your hands and result in damage to the cleaner and battery cartridge and a personal injury.

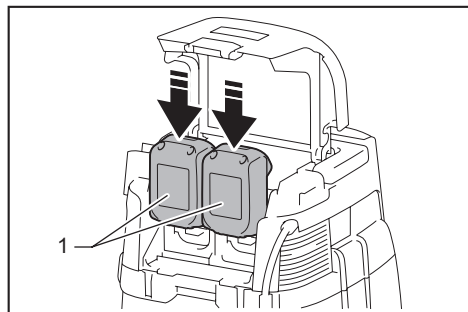
**CAUTION:** Be careful not to pinch your fingers when opening or closing the battery cover. Failure to do so may cause personal injury.

To install the battery cartridge, release the lock first, and then open the battery cover. After that, insert the battery cartridge.



► 1. Lock 2. Battery cover

Align the tongue on the battery cartridge with the groove in the housing and slip it into place. Insert it all the way until it locks in place with a little click. Then lock the battery cover.



► 1. Battery cartridge

To remove the battery cartridge, slide it from the tool while sliding the button in front of the cartridge.

**CAUTION:** Always install the battery cartridge fully until the red indicator cannot be seen. If not, it may accidentally fall out of the cleaner, causing injury to you or someone around you.

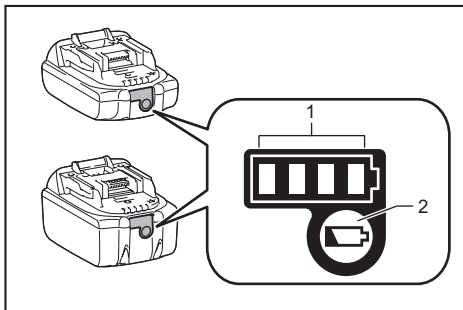
**CAUTION:** Do not install the battery cartridge forcibly. If the cartridge does not slide in easily, it is not being inserted correctly.

**NOTE:** The cleaner does not work with only one battery cartridge.

**NOTE:** Remove the plug of the cleaner from the extension cord when using the cleaner with the batteries.

## Indicating the remaining battery capacity

Only for battery cartridges with the indicator



► 1. Indicator lamps 2. Check button

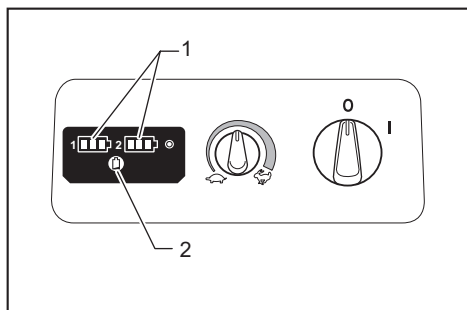
Press the check button on the battery cartridge to indicate the remaining battery capacity. The indicator lamps light up for a few seconds.

Indicator lamps			Remaining capacity
Lighted	Off	Blinking	
■ ■ ■ ■			75% to 100%
■ ■ ■ □			50% to 75%
■ ■ □ □			25% to 50%
■ □ □ □			0% to 25%
▣ □ □ □			Charge the battery.
■ ■ □ □			The battery may have malfunctioned.
□ □ ■ ■			

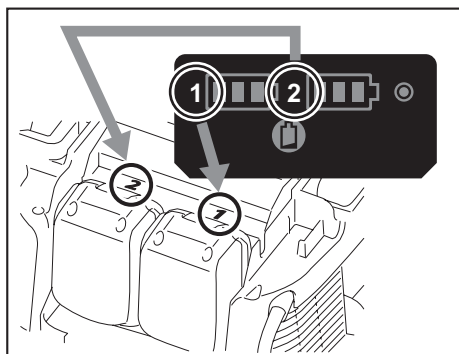
**NOTE:** Depending on the conditions of use and the ambient temperature, the indication may differ slightly from the actual capacity.



## Indicating the remaining battery capacity



► 1. Battery indicator 2. Check button



Press the check button to indicate the remaining battery capacities. The battery indicators correspond to each battery.

Battery indicator status			Remaining battery capacity
On	Off	Blinking	
			50% to 100%
			20% to 50%
			0% to 20%
			Charge the battery

## Tool / battery protection system

The tool is equipped with a tool/battery protection system. This system automatically cuts off power to the motor to extend tool and battery life. The tool will automatically stop during operation if the tool or battery is placed under one of the following conditions:

### Overload protection

When the tool is operated in a manner that causes it to draw an abnormally high current, the tool automatically stops without any indication. In this situation, turn the tool off and stop the application that caused the tool to become overloaded. Then turn the tool on to restart.

### Overheat protection

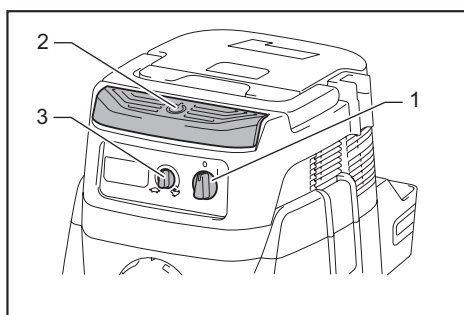
<input type="checkbox"/> On	<input checked="" type="checkbox"/> Blinking

When the tool is overheated, the tool stops automatically, and the battery indicator blinks about 60 seconds. In this situation, let the tool cool down before turning the tool on again.

### Overdischarge protection

When the battery capacity becomes low, the tool stops automatically. If the product does not operate even when the switches are operated, remove the batteries from the tool and charge the batteries.

## Switch action



► 1. Stand-by switch 2. Power button 3. Suction force adjusting knob

To start the cleaner:

1. Set the stand-by switch to the "I" side. The cleaner gets into stand-by state.
2. Press the power button.

To make the cleaner get into stand-by mode, press the power button again.

To turn off the cleaner, set the stand-by switch to the "O" side.

The suction power can be adjusted according to your work need.

Suction power can be increased by turning the suction force adjusting knob from the symbol to the symbol.

**NOTICE:** Always set the stand-by switch to the "O" side when not using the cleaner for long time. The cleaner consumes power during stand-by state.

## Auto-suction stop during wet suction operation

*Only for the cloth filter model*

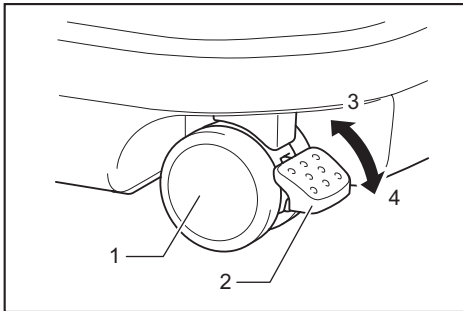
**⚠WARNING:** Do not use for a long time while the float is at work. Using the cleaner with its float at work for a long time can cause overheat, resulting in the cleaner deformation.

**⚠WARNING:** Do not pick up foam or soapy liquid. Picking up foam or soapy liquid can cause foam to come out of air exit before the float works. Continuing to using in this condition may cause an electric shock and breakage of the cleaner.

Auto-suction stop works only when using with the float and float cage.

The cleaner has a float mechanism that prevents water from immersing into the motor when picking up more than a certain amount of water. When the tank is full and the cleaner no longer picks up water, switch off the cleaner and empty the tank.

## Locking or unlocking the caster



- 1. Caster 2. Stopper lever 3. FREE position  
4. LOCK position

Locking the caster is convenient when storing the cleaner, stopping the work on the way and keeping the cleaner still.

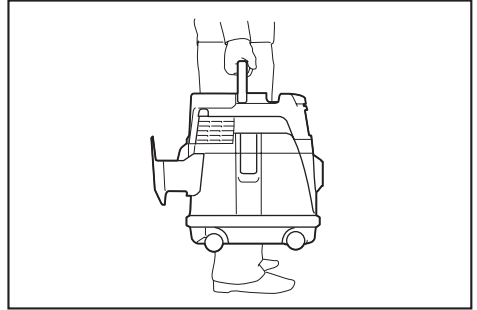
To operate the stopper, move it by hand.

To lock the caster with a stopper, lower the stopper lever and the caster no longer will rotate. To release the caster from the locked position, raise the stopper lever.

**NOTE:** When moving the cleaner, make sure that the caster is unlocked. Moving the cleaner with the caster in the locked position may cause damage to the caster.

## Carriage handle

When carrying the cleaner, carry it by holding the handle on the head. The handle is retractable at the head when not in use.



## ASSEMBLY

**⚠CAUTION:** Always be sure that the cleaner is switched off, unplugged, and the battery cartridge is removed before carrying out any work on the cleaner.

**⚠CAUTION:** Always wear dust mask during assembly or maintenance.

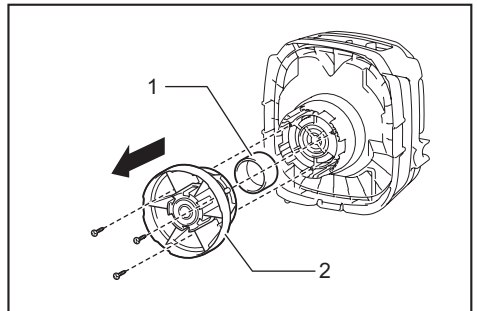
## Installing the powder filter (HEPA) and prefilter (for dry dust)

*Optional accessory for cloth filter model*

**⚠CAUTION:** Never pick up water or other liquids or wet dusts when using the powder filter. Picking up such things may cause the powder filter breakage.

To use powder filter:

1. Remove the float cage and float by removing the bolts.

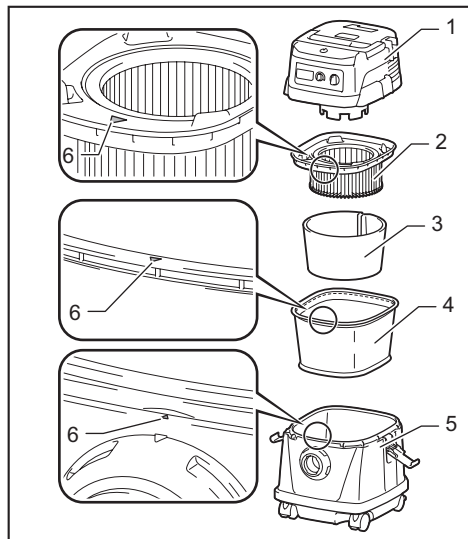


- 1. Float 2. Float cage

2. Place the prefilter in the tank with aligning the mounting position markings.

3. Mount the damper on the powder filter and then place them in the prefilter with aligning the mounting position markings.

4. Finally, mount the tank cover and lock it.



► 1. Tank cover 2. Powder filter (HEPA) 3. Damper 4. Prefilter 5. Tank 6. Mounting position marking

**NOTICE:** Before using the powder filter, make sure that prefilter and damper are always used together. It is not allowed to install powder filter solely.

## Installing the water filter

*Optional accessory for cloth filter model*

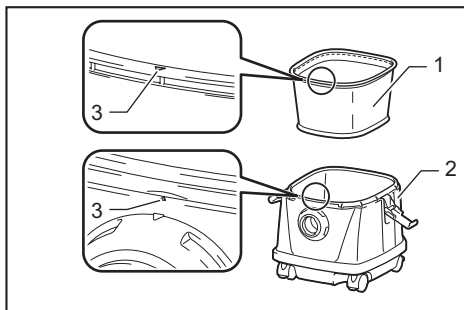
**CAUTION:** Never pick up water or wet dust without the float and the cloth filter or the water filter.

**CAUTION:** For picking up wet dust, make sure that the float cage and the float are installed on the cleaner.

**CAUTION:** When installing the water filter on the tank, set it tight at the opening of the tank so that the hook of the water filter engages the tank opening firmly and there is no space between the water filter and the tank.

To pick up water or wet dust only, the water filter is more suitable than the cloth filter.

When installing the water filter, align its mounting position mark with the one on the tank.



► 1. Water filter 2. Tank 3. Mounting position marking

**NOTE:** It is recommended using water filter when picking up large amount of water repeatedly. Otherwise vacuum ability may be reduced in case of cloth filter.

## Installing the paper pack

*Optional accessory*

**WARNING:** When using the paper pack, also use the cloth filter or prefilter together that is preinstalled on the cleaner. Failure to use the cloth filter / prefilter together may cause unusual noise and heat, resulting in a fire.

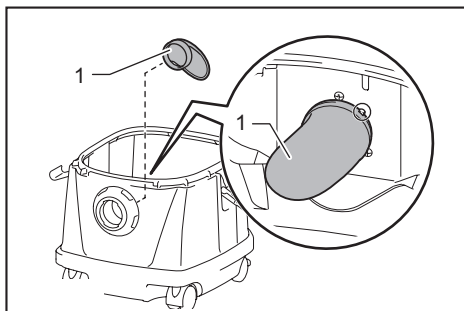
**CAUTION:** (For the cloth filter model)

- Never pick up water or other liquids or wet dusts when using the paper pack. Picking up such things may cause the paper pack breakage.
- Before using the paper pack, make sure that powder filter (optional accessory), damper (optional accessory) and prefilter are always used together.

**CAUTION:** (For the powder filter model)

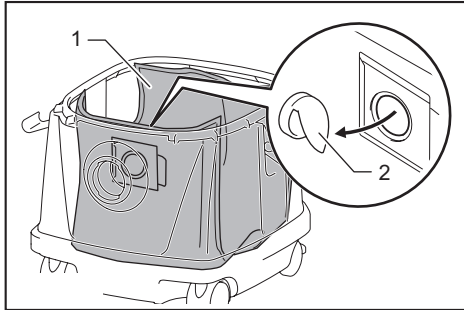
- Before using the paper pack, make sure that powder filter, damper and prefilter are always used together.

1. Remove the rubber holder.



► 1. Rubber holder

2. Extend the paper pack.
3. Align the paper pack opening with the dust suction opening of the cleaner.
4. Insert the cardboard of the paper pack onto the holder so that it is positioned at the end beyond the detent protrusion.

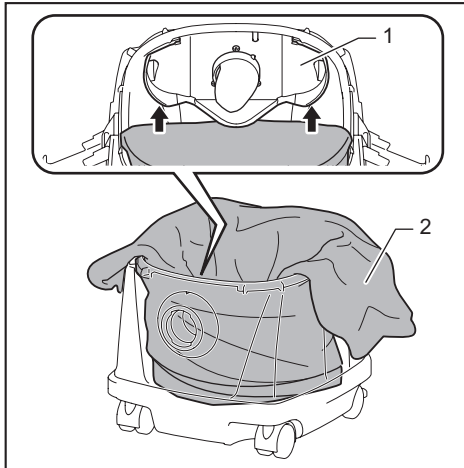


► 1. Paper pack 2. Holder

## Installing the polyethylene bag

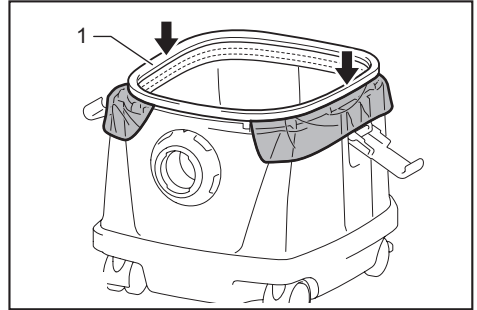
Cleaner can also be used without polyethylene bag. However, using polyethylene bag is easier to empty the tank without letting your hands dirty.

Spread the polyethylene bag in the tank. Insert it between the holder plate and the tank, and pull it to the hose inlet.



► 1. Holder plate 2. Polyethylene bag

Spread the bag around the top of the tank so that the cloth filter / prefilter edge can catch and hold the bag securely.



► 1. Cloth filter / prefilter

**NOTE:** A polyethylene bag available on the market can be used. 0.04 mm or thicker one is recommended.

**NOTE:** Too much dust will tear the bag easily, so do not collect the dust more than the half of the bag capacity.

## Emptying the polyethylene bag

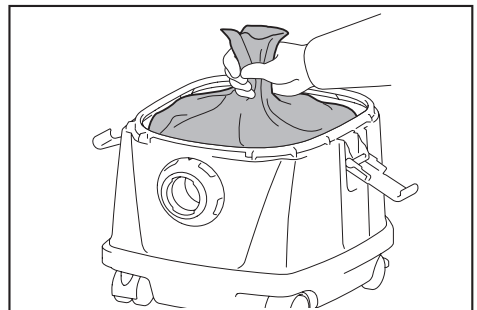
**⚠WARNING:** Always make sure that the cleaner is switched off, unplugged, and the battery cartridge is removed before emptying the polyethylene bag. Failure to do so may cause an electric shock and serious personal injury.

**⚠CAUTION:** Do not apply a great impact on the float cage and tank. Applying a great impact may cause deformation and damage to the parts.

**⚠CAUTION:** Empty the tank at least once a day although this depends on picked-up dust volume in the tank. Or, the suction force will weaken and the motor may be broken.

**⚠CAUTION:** Do not grab the hook when emptying the tank. Grabbing the hook may cause the hook to break.

Unhook and lift up the tank cover. Shake off the dust from the cloth filter / prefilter and then take the polyethylene bag out of the tank.

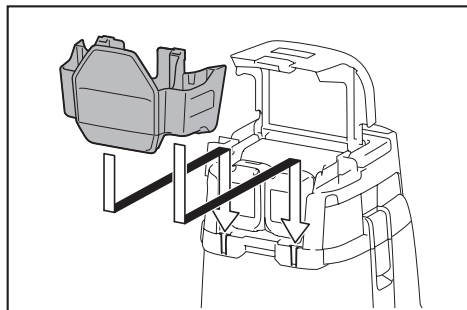


**NOTE:** Take the polyethylene bag carefully out of the tank so that the polyethylene bag cannot be caught and torn by the protrusion inside the tank when emptying it.

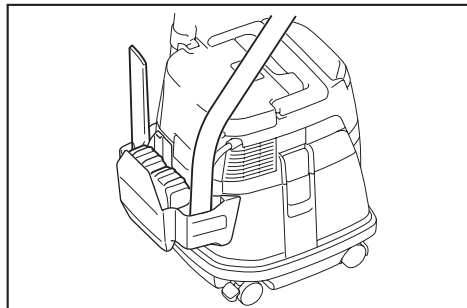
**NOTE:** Empty the polyethylene bag before it becomes full. Too much dust in the tank may cause the polyethylene bag to be torn.

## Installing the tool box

1. Release the lock of the battery cover, and open the battery cover.
2. Set the rails on the tool box along the grooves on the housing.
3. Close the battery cover and apply the lock.



The tool box is convenient for carrying batteries, extension code, pipe, or cuffs.

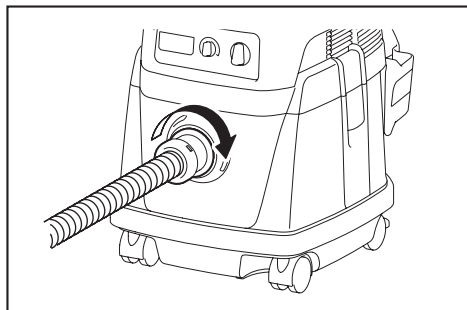


## Connecting the hose

**NOTICE:** Never force the hose for bending or stamp it. Never move the cleaner by a hose. Forcing, stamping and pulling the hose may cause a breakage or deformation of the hose.

**NOTICE:** When picking up large wastes such as planer carvings, concrete dusts or similar other than small wastes, use the 38 mm inner diameter hose (optional accessory). Using the 28 mm inner diameter hose (optional accessory) may cause a hose stuffing and damage.

Insert the hose onto the mounting port of the tank and turn it clockwise until it locks.



## MAINTENANCE

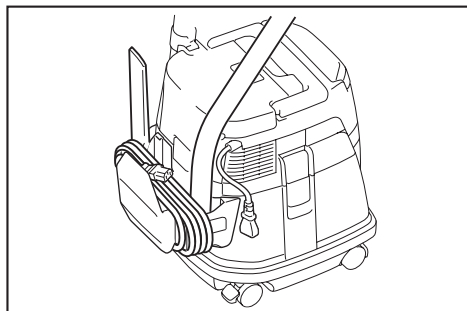
**CAUTION:** Always be sure that the cleaner is switched off, unplugged, and the battery cartridge is removed before attempting to perform inspection or maintenance.

**NOTICE:** Never use gasoline, benzine, thinner, alcohol or the like. Discoloration, deformation or cracks may result.

To maintain product SAFETY and RELIABILITY, repairs, any other maintenance or adjustment should be performed by Makita Authorized or Factory Service Centers, always using Makita replacement parts.

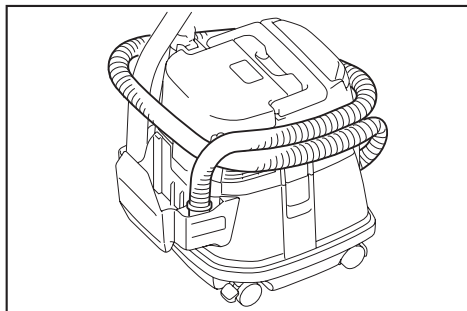
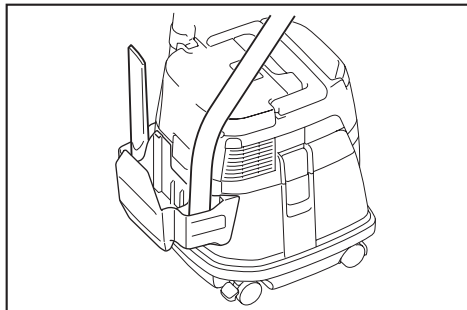
## Storage of power supply cord

You can wind up the power supply cord around the tool box.

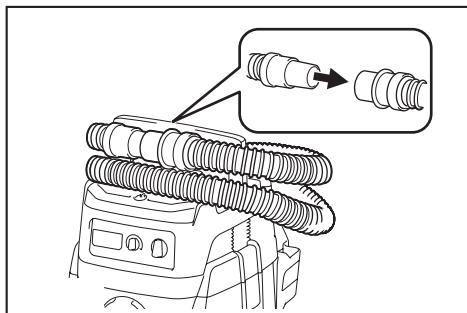


## Storage of accessories

The pipes can be placed into the pipe holder when not using the cleaner for a short time.



The hose can be stored around the tool by connecting each ends.

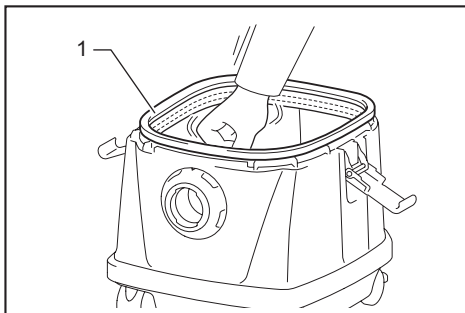


## Cleaning of cloth filter

### *Only for the cloth filter model*

Clogged cloth filter causes poor suction performance. Clean out the cloth filter from time to time.

To remove dust or particles adhering to the cloth filter, shake the frame bottom quickly several times.



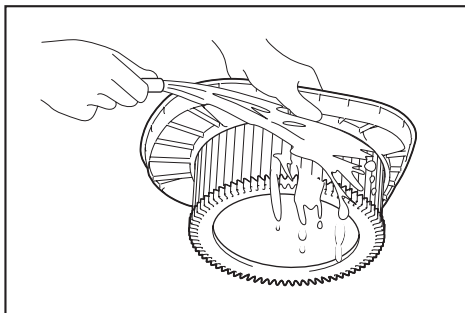
► 1. Cloth filter

## Cleaning of powder filter (HEPA) and prefilter

### *Only for the powder filter model*

Clogged powder filter, prefilter and damper cause poor suction performance. Clean out the filters and dampers from time to time.

To remove dust or particles adhering to the filters, shake the frame bottom quickly several times.



Occasionally wash the powder filter in water, rinse and dry thoroughly in the shade before use. Never wash filters in a washing machine.

**NOTE:** Do not rub or scratch the powder filter, the prefilter or the damper with hard objects such as a brush and a paddle.

**NOTE:** The filters wear out in course of time. It is recommended to have some spares for them.

## OPTIONAL ACCESSORIES

**⚠ CAUTION:** These accessories or attachments are recommended for use with your Makita tool specified in this manual. The use of any other accessories or attachments might present a risk of injury to persons. Only use accessory or attachment for its stated purpose.

If you need any assistance for more details regarding these accessories, ask your local Makita Service Center.

- Hose
- Front cuff (22, 24, 38)
- Straight pipe
- Corner nozzle
- Round brush
- Powder filter, HEPA (for dry dust)
- Damper
- Prefilter
- Nozzle assembly
- Bent pipe
- Polyethylene bag
- Paper pack
- Holder set
- Water Filter (option for the cloth filter model)
- Makita genuine battery and charger

**NOTE:** Some items in the list may be included in the tool package as standard accessories. They may differ from country to country.

## MAKITA LIMITED WARRANTY

Please refer to the annexed warranty sheet for the most current warranty terms applicable to this product. If annexed warranty sheet is not available, refer to the warranty details set forth at below website for your respective country.

United States of America: [www.makitatools.com](http://www.makitatools.com)

Canada: [www.makita.ca](http://www.makita.ca)

Other countries: [www.makita.com](http://www.makita.com)

## ESPECIFICACIONES

Modelo:		XCV12	XCV13
Especificaciones eléctricas en México		120 V ~ 9,2 A 50/60 Hz	
Tipo de filtro estándar		Filtro de tela (para polvo seco y húmedo)	Filtro de polvo (para polvo seco)
Caudal de volumen (aire)	Funcionamiento con C.C. (con BL1850B, manguera de ø38 mm (1-1/2") x 2,5 m (98-1/2"))	2,1 m <sup>3</sup> /min (74 cu.ft./min)	
	Funcionamiento con C.A. (con manguera de ø38 mm (1-1/2") x 2,5 m (98-1/2"))	3,6 m <sup>3</sup> /min (127 cu.ft./min)	
Vacío	Funcionamiento con C.C. (con BL1850B, manguera de ø38 mm (1-1/2") x 2,5 m (98-1/2"))	9,0 kPa	
	Funcionamiento con C.A. (con manguera de ø38 mm (1-1/2") x 2,5 m (98-1/2"))	24,0 kPa	
Capacidad recuperable	Polvo	15 L (4,0 gal)	
	Agua	12 L (3,2 gal)	-
Dimensiones (La x An x Al)		366 mm x 334 mm x 421 mm (14-3/8" x 13-1/8" x 16-1/2")	
Tensión nominal		36 V c.c.	
Peso neto		8,9 kg - 9,6 kg (19,7 lbs - 21,1 lbs)	9,6 kg - 10,3 kg (21,2 lbs - 22,6 lbs)
Clase de seguridad		□/II	

- Debido a nuestro continuo programa de investigación y desarrollo, las especificaciones aquí incluidas están sujetas a cambio sin previo aviso.
- Las especificaciones y el cartucho de batería pueden variar de país a país.
- El peso incluye el o los cartuchos de batería, pero no los accesorios. La combinación de menor y mayor peso del aparato y del o los cartuchos de batería se muestra en la tabla.
- Para polvo húmedo, se requieren el flotador y el filtro de agua o de tela.

### Cartucho de batería y cargador aplicables

Cartucho de batería	BL1815N / BL1820B / BL1830 / BL1830B / BL1840B / BL1850B / BL1860B
Cargador	DC18RC / DC18RD / DC18RE / DC18SD / DC18SE / DC18SF

- Algunos de los cartuchos de batería y cargadores enumerados arriba podrían no estar disponibles dependiendo de su área de residencia.

**⚠ ADVERTENCIA:** Use únicamente los cartuchos de batería y los cargadores indicados arriba. El uso de cualquier otro cartucho de batería y cargador podría ocasionar una lesión y/o un incendio.



## ADVERTENCIAS DE SEGURIDAD

# INSTRUCCIONES IMPORTANTES DE SEGURIDAD

Al usar cualquier aparato eléctrico, siempre deben seguirse las precauciones básicas, incluyendo las siguientes:

## GUARDE ESTAS INSTRUCCIONES.

### ADVERTENCIA

Para reducir el riesgo de incendio, descarga eléctrica o lesión:

1. No deje el aparato cuando esté conectado a la toma de corriente o con la batería puesta. Desconéctelo de la toma de corriente y retire la batería del aparato cuando no lo vaya a utilizar y antes de dar servicio de mantenimiento.
2. No permita que sea utilizado como un juguete. Preste mucha atención cuando sea utilizado por niños o cerca de ellos.
3. Utilícelo solamente como se describe en este manual. Sólo use aditamentos recomendados por el fabricante.
4. No lo utilice con el cable, clavija o la batería dañadas. Si el aparato no está funcionando como debiera, se ha dejado caer, se ha dañado, se ha dejado a la intemperie o ha caído sobre agua, llévelo a un centro de servicio.
5. No tire ni transporte el aparato por el cable, usarlo como manija, no cierre la puerta sobre el cable o tire del mismo cerca de bordes o esquinas afilados. No opere el aparato por encima del cable. Mantenga el cable alejado de superficies calientes.

6. No desenchufe el aparato tirándolo del cable. Para desenchufar, sujete la clavija, no el cable.
7. No manipule la clavija ni el aparato con las manos mojadas.
8. No introduzca ningún objeto en las aberturas. No lo utilice con ninguna abertura bloqueada; manténgalo libre de polvo, pelusa, cabello y cualquier objeto que pueda reducir el flujo de aire.
9. Mantenga el cabello, la ropa holgada, los dedos y todas las partes del cuerpo lejos de las aberturas y piezas móviles.
10. Apague todos los controles antes de desenchufar o retirar el cartucho de batería.
11. Tenga especial cuidado cuando limpie en escaleras.
12. No lo utilice para recoger líquidos inflamables o combustibles, tal como gasolina, ni en áreas donde puedan estar presentes.
13. Utilice solamente el cargador suministrado por el fabricante para recargar.
14. No recoja nada que se esté quemando o desprenda humo, tal como cigarrillos, fósforos o cenizas calientes.
15. Este aparato cuenta con doble aislamiento. Utilice solamente piezas de repuesto idénticas. Vea las instrucciones para dar mantenimiento a los aparatos con doble aislamiento.
16. No lo utilice sin los filtros colocados en su lugar. Reemplace cualquier filtro dañado de inmediato.
17. No cargue la batería en exteriores.
18. (Para los modelos con filtro de polvo.) No lo utilice sobre superficies húmedas. No lo exponga a la lluvia. Almacénelo en interiores.
19. (Para los modelos con filtro de tela.) No lo exponga a la lluvia. Almacénelo en interiores.
20. Instale siempre el flotador antes de cualquier operación para aspirar objetos húmedos.

21. **No utilice la aspiradora como banco o mesa de trabajo. La máquina podría caerse y ocasionar una lesión personal.**
22. **No aspire los siguientes elementos:**
  - Líquidos inflamables (queroseno, gasolina, disolventes como bencina, diluyentes, etc.)
  - Sustancias calientes que están ardiendo o echando humo (cigarrillos, cerillas, palitos de incienso, velas, cenizas calientes), chispas y polvo metálico generados por el corte o el lijado de metales, etc.
  - Materiales inflamables (tóner, pinturas, aerosoles, etc.)
  - Espumas, como limpiadores de alfombras, etc. (pueden causar explosiones o incendios)
  - Sustancias explosivas o pirofóricas (nitroglicerina, aluminio, magnesio, titanio, zinc, fósforo rojo, fósforo amarillo, celuloide, etc., y su polvo, gases o vapores)
  - Objetos afilados (cristal, cubiertos, astillas de madera, metales, piedras, clavos, cuchillas, tachuelas, etc.)
  - Polvo fino conductor y solidificante (polvo metálico o de carbono)
  - Deshumidificador
  - Grandes cantidades de polvo (harina, polvo de extintor de incendios, etc.)
  - Sustancias que causan síntomas tóxicos
  - Productos químicos agresivos (ácidos, lixiviados, etc.)
  - Basura líquida o húmeda, incluyendo vómitos y heces
  - Asbesto
  - Pesticidas

Tal acción podría ocasionar un incendio, lesiones y/o daños materiales.

Para reducir la exposición a estas sustancias químicas, utilice un equipo de protección respiratoria aprobado, tal como las máscaras contra polvo que están especialmente diseñadas para filtrar partículas microscópicas. No apunte la salida de aire a la cara y al cuerpo. **NOTA:** Lea el reglamento OSHA en lo referente a polvo de sílice a fin de entender los requisitos necesarios para reducir la exposición al polvo de sílice en el puesto de trabajo. Contiene normas específicas sobre el taladrado, la demolición, el corte y el lijado de materiales que contienen sílice. Todos los requisitos de la OSHA relacionados con la reducción de polvo de sílice se pueden encontrar en el sitio web de la OSHA: [www.osha.gov](http://www.osha.gov).

23. Este aparato no se destina para utilizarse por personas (incluyendo niños) cuyas capacidades físicas, sensoriales o mentales sean diferentes o estén reducidas o carezcan de experiencia o de conocimiento, a menos que dichas personas reciban una supervisión o capacitación para el funcionamiento del aparato por una persona responsable de su seguridad.
24. Los niños deben supervisarse para asegurar que ellos no empleen los aparatos como juguete.

## Uso y cuidado de la herramienta a batería

1. **Evite un arranque accidental.** Asegúrese de que el interruptor esté en la posición apagada antes de conectar el paquete de baterías, levantar el aparato o cargarlo. Cargar el aparato con su dedo en el interruptor o pasar energía al aparato con el interruptor encendido puede propiciar accidentes.
2. **Desconecte el paquete de baterías del aparato antes de hacer cualquier ajuste, cambiar accesorios o almacenar el aparato.** Estas medidas de seguridad preventivas reducen el riesgo de poner en marcha el aparato accidentalmente.

3. **Recargue sólo con el cargador especificado por el fabricante.** Un cargador que es adecuado para un solo tipo de batería puede generar riesgo de incendio al ser utilizado con otra batería.
4. **Use los aparatos únicamente con los paquetes de baterías designados específicamente para ellos.** El uso de otros paquetes de baterías puede generar riesgo de lesiones e incendio.
5. **Cuando no se esté usando la batería, manténgala alejada de otros objetos metálicos, como sujetapapeles (clips), monedas, llaves, clavos, tornillos u otros objetos pequeños de metal los cuales pueden actuar creando una conexión entre las terminales de la batería.** Originar un cortocircuito en las terminales puede causar quemaduras o incendios.
6. **En condiciones abusivas, podrá escapar líquido de la batería; evite tocarlo. Si lo toca accidentalmente, enjuague con agua. Si hay contacto del líquido con los ojos, busque asistencia médica.** Puede que el líquido expulsado de la batería cause irritación o quemaduras.
7. **No utilice un paquete de baterías o aparato que esté dañado o haya sido modificado. Las baterías dañadas o modificadas podrían comportarse de manera impredecible causando un incendio, explosión o riesgo de lesión.**
8. **No exponga un paquete de baterías o aparato al fuego o a una temperatura excesiva. La exposición al fuego o una temperatura superior a 130 °C podría causar una explosión.**
9. **Siga todas las instrucciones relativas a la carga y no cargue el paquete de baterías o el aparato fuera del rango de temperatura especificado en las instrucciones.** Cargar de manera inapropiada o a temperaturas fuera del rango especificado podría dañar la batería e incrementar el riesgo de incendio.
10. **Pida que el servicio lo realice un técnico en reparaciones calificado y que utilice únicamente piezas de repuesto idénticas a las originales.** Esto garantizará que se mantenga la seguridad del producto.
11. **No modifique ni intente reparar el aparato ni el paquete de baterías salvo como se indique en las instrucciones para el uso y cuidado.**

## MANTENIMIENTO A LOS APARATOS CON DOBLE AISLAMIENTO

Un aparato con doble aislamiento está marcado con uno o más de los siguientes: Las palabras “DOBLE AISLAMIENTO” o “CON DOBLE AISLAMIENTO” o el símbolo de doble aislamiento (cuadrado dentro de un cuadrado).



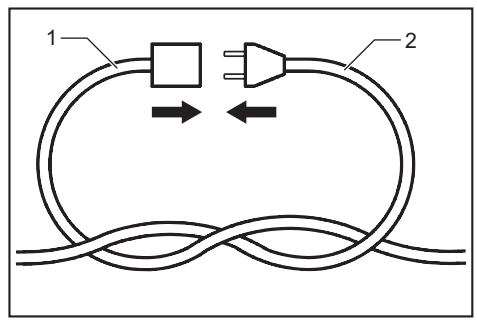
En un aparato con doble aislamiento, se proveen dos sistemas de aislamiento, en vez de conexión a tierra. No se proporcionan medios de conexión a tierra en un aparato con doble aislamiento, ni se debe agregar un aparato para la conexión a tierra al aparato. Dar mantenimiento a un aparato con doble aislamiento requiere un cuidado extremo y conocimiento del sistema, y debe realizarlo únicamente personal de servicio calificado. Las piezas de repuesto para un aparato con doble aislamiento deben ser idénticas a las piezas que reemplazan.

### Instrucciones de polarización

1. **Para reducir el riesgo de una descarga eléctrica, este aparato cuenta con una clavija polarizada (una pata es más ancha que la otra) y será necesario el uso de un cable de extensión polarizado. La clavija del aparato encajará en un cable de extensión polarizado solamente de una manera. Si la clavija no encaja totalmente en el cable de extensión, invierta la clavija. Si la clavija sigue sin encajar, adquiera un cable de extensión polarizado correcto. Un cable de extensión polarizado requerirá del uso de una toma de corriente de pared polarizada.**

Esta clavija encajará en la toma de corriente de pared polarizada solamente de una manera. Si la clavija no encaja totalmente en la toma de pared, invierta la clavija. Si la clavija sigue sin encajar, pida a un electricista calificado que le instale una toma de corriente de pared adecuada. No modifique la clavija del equipo, el receptáculo del cable de extensión ni la clavija del cable de extensión en ninguna forma.

2. **Advertencia - Para reducir el riesgo de lesiones personales a causa de una conexión eléctrica suelta entre la clavija del aparato y el cable de extensión, fije completamente y con firmeza la clavija del aparato al cable de extensión. Verifique con regularidad la conexión durante la operación para asegurarse de que esté completamente fija. No utilice un cable de extensión que pueda provocar una conexión suelta. Una conexión suelta podría ocasionar sobrecalentamiento o un incendio e incrementar el riesgo de una quemadura.**
3. **Para reducir el riesgo de una desconexión del cable del aparato del cable de extensión durante la operación, haga un nudo tal como se muestra en la ilustración.**



► 1. Cable de alimentación 2. Cable del aparato

4. **Dé un mantenimiento cuidadoso al aparato - Inspeccione los cables de extensión periódicamente y reemplácelos si están dañados.**

### Cable de extensión

USE UN CABLE DE EXTENSIÓN APROPIADO. Asegúrese de que su cable de extensión esté en buenas condiciones. Cuando utilice un cable de extensión, asegúrese de usar uno lo suficientemente pesado para conducir la corriente que su producto consumirá. Un cable de menor calibre causará una caída en la línea de voltaje ocasionando la pérdida de potencia y sobrecalentamiento. La tabla 1 muestra la medida correcta que debe usarse en función de la longitud del cable y el amperaje nominal indicado en la placa de características. Si no está seguro, utilice el siguiente calibre más alto. Mientras más pequeño sea el número de calibre, más corriente podrá conducir el cable.

Tabla 1: Calibre mínimo para el cable




Amperaje nominal		Voltios	Longitud total del cable en metros				
			7 m (25 ft.)	15 m (50 ft.)	30 m (100 ft.)	45,7 m (150 ft.)	
		120 V ~	7 m (25 ft.)	15 m (50 ft.)	30 m (100 ft.)	45,7 m (150 ft.)	
		220 V ~ - 240 V ~	15 m (50 ft.)	30 m (100 ft.)	60,9 m (200 ft.)	91,4 m (300 ft.)	
Más de		No más de		Calibre del cable (AWG)			
0 A	6 A	-	18	16	16	14	
6 A	10 A		18	16	14	12	
10 A	12 A		16	16	14	12	
12 A	16 A		14	12	No se recomienda		

# GUARDE ESTAS INSTRUCCIONES.

Este aparato está diseñado para uso comercial.

# Símbolos

A continuación se muestran los símbolos utilizados para la herramienta.

v	volts o voltios
— — —	corriente directa o continua
	Ponga especial atención y tenga cuidado.
	Nunca se pare sobre la aspiradora.
~	corriente alterna
A	amperes
Hz	hertz
	Construcción clase II

## Instrucciones importantes de seguridad para el cartucho de batería

1. Antes de utilizar el cartucho de batería, lea todas las instrucciones e indicaciones de precaución en el (1) el cargador de batería, (2) la batería, y (3) el producto con el que se utiliza la batería.
2. No desarme el cartucho de batería.
3. Si el tiempo de operación se ha acortado en exceso, deje de operar de inmediato. Podría correrse el riesgo de sobrecalentamiento, posibles quemaduras e incluso explosión.
4. En caso de que ingresen electrolitos en sus ojos, enjuáguelos bien con agua limpia y consulte de inmediato a un médico. Esto podría ocasionar pérdida de visión.
5. Evite cortocircuitar el cartucho de batería:
  - (1) No toque las terminales con ningún material conductor.
  - (2) Evite guardar el cartucho de batería en un cajón junto con otros objetos metálicos, tales como clavos, monedas, etc.
  - (3) No exponga el cartucho de batería al agua o la lluvia.  
Un cortocircuito en la batería puede causar un flujo grande de corriente, sobrecalentamiento, posibles quemaduras e incluso una descompostura.
6. No guarde la herramienta ni el cartucho de batería en lugares donde la temperatura pueda alcanzar o exceder los 50°C (122°F).
7. Nunca incinere el cartucho de batería incluso en el caso de que esté dañado seriamente o ya no sirva en absoluto. El cartucho de batería puede explotar si se tira al fuego.
8. Tenga cuidado de no dejar caer ni golpear la batería.
9. No use una batería dañada.
10. Las baterías de ión de litio están sujetas a los requisitos reglamentarios en materia de bienes peligrosos.  
Para el transporte comercial, por ej., mediante terceros o agentes de transporte, se deben tomar en cuenta los requisitos especiales relativos al empaque y el etiquetado. Para efectuar los preparativos del artículo que se va a enviar, se requiere consultar a un experto en materiales peligrosos. Si es posible, consulte además otras regulaciones nacionales más detalladas.  
Pegue o cubra con cinta adhesiva los contactos abiertos y empaque la batería de manera que ésta no pueda moverse dentro del paquete.
11. Siga las regulaciones locales relacionadas al desecho de las baterías.

12. **Utilice las baterías únicamente con los productos especificados por Makita.** Instalar las baterías en productos que no cumplen con los requisitos podría ocasionar un incendio, un calentamiento excesivo, una explosión o una fuga de electrolito.

## GUARDE ESTAS INSTRUCCIONES.

**⚠PRECAUCIÓN:** Utilice únicamente baterías originales de Makita. El uso de baterías no originales de Makita, o de baterías alteradas, puede ocasionar que las baterías exploten causando un incendio, lesiones personales y daños. Asimismo, esto invalidará la garantía de Makita para la herramienta y el cargador Makita.

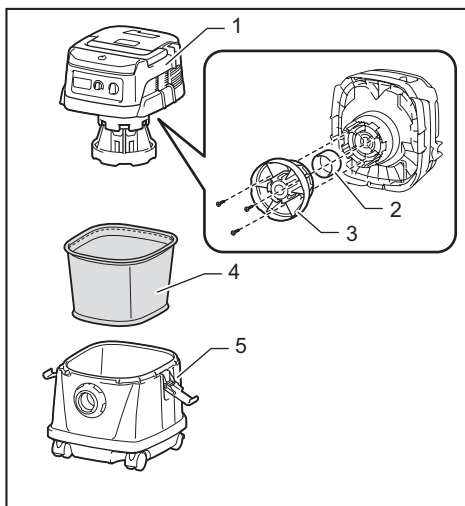
### Consejos para alargar al máximo la vida útil de la batería

1. Cargue el cartucho de batería antes de que se descargue completamente. Pare siempre la operación y cargue el cartucho de batería cuando note menos potencia en la herramienta.
2. No cargue nunca un cartucho de batería que esté completamente cargado. La sobrecarga acortará la vida de servicio de la batería.
3. Cargue el cartucho de batería a una temperatura ambiente de 10 °C - 40 °C (50 °F - 104 °F). Si un cartucho de batería está caliente, déjelo enfriar antes de cargarlo.
4. Cargue el cartucho de batería si no va a utilizarlo durante un período prolongado (más de seis meses).

## DESCRIPCIÓN DE LAS PIEZAS

### Modelo XCV12

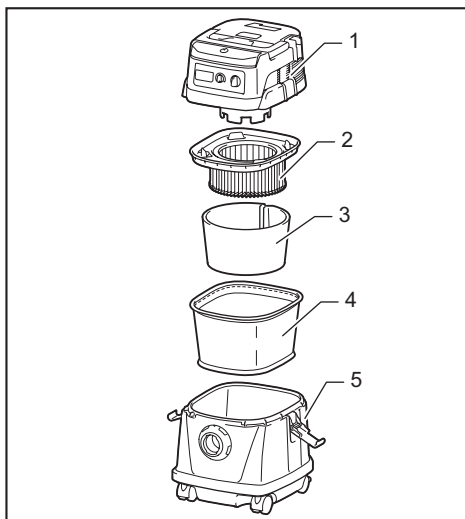
(Modelo con filtro de tela (para polvo seco y húmedo))



- 1. Cubierta del tanque 2. Flotador 3. Caja del flotador 4. Filtro de tela 5. Tanque

### Modelo XCV13

(Modelo con filtro de polvo (para polvo seco))



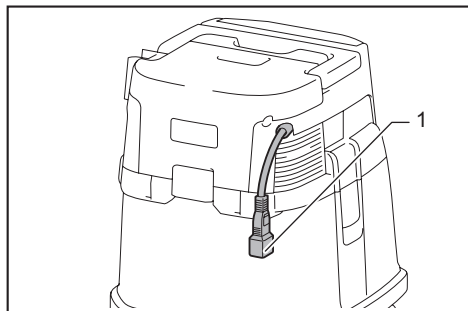
- 1. Cubierta del tanque 2. Filtro de polvo (HEPA) 3. Amortiguador 4. Prefiltro 5. Tanque

# DESCRIPCIÓN DEL FUNCIONAMIENTO

## Uso con energía de C.A.:

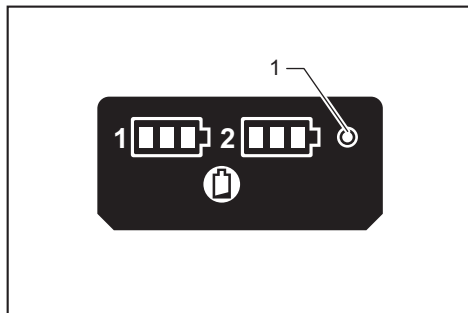
**⚠ADVERTENCIA:** Antes de conectar la aspiradora, asegúrese siempre de que la aspiradora está apagada. Enchufar la aspiradora con el interruptor encendido puede producir un arranque inesperado, ocasionando lesiones personales graves.

Conecte la clavija al suministro de energía.



► 1. Clavija (la forma y longitud del cable pueden variar de país a país)

El indicador de energía C.A. se ilumina cuando se ajusta el interruptor de modo en espera en el lado "I".



► 1. Indicador de energía de C.A.

**NOTA:** Incluso funcionando en el modo de alimentación de C.C., la aspiradora se cambia automáticamente al modo de alimentación de C.A. cuando está enchufada.

**NOTA:** Si la aspiradora se desenchufa durante el funcionamiento con la batería insertada, la aspiradora entra en estado de modo en espera.

## Uso con la batería:

**⚠PRECAUCIÓN:** Asegúrese siempre de que la aspiradora esté apagada, desenchufada y que el cartucho de batería haya sido extraído antes de realizar cualquier ajuste o revisión del funcionamiento de la aspiradora.

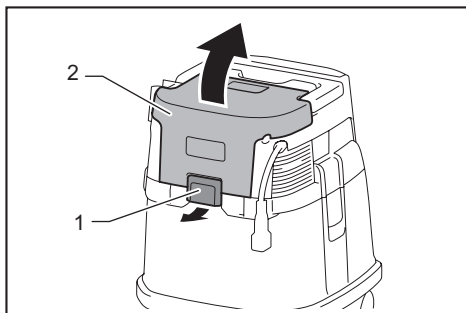
## Instalación o extracción del cartucho de batería

**⚠PRECAUCIÓN:** Apague siempre la herramienta antes de colocar o quitar el cartucho de batería.

**⚠PRECAUCIÓN:** Sujete la aspiradora y el cartucho de batería con firmeza al colocar o quitar el cartucho. Si no se sujeta con firmeza la aspiradora y el cartucho de batería, puede ocasionar que se resbalen de sus manos resultando en daños a la aspiradora y al cartucho, así como lesiones a la persona.

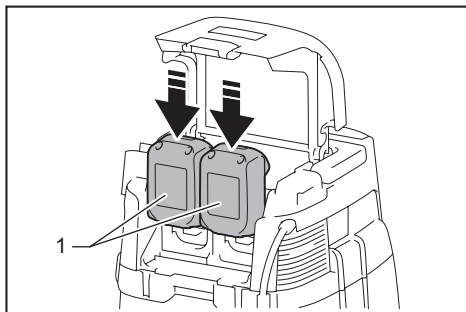
**⚠PRECAUCIÓN:** Tenga cuidado de no pellizcar sus dedos al abrir o cerrar la cubierta de la batería. El no hacerlo podría causar lesiones personales.

Para instalar el cartucho de batería, libere el seguro primero y luego abra la cubierta de la batería. Después de esto, inserte el cartucho de batería.



► 1. Seguro 2. Cubierta de la batería

Alinee la lengüeta en el cartucho de batería con la ranura en la carcasa y deslícelo en su lugar. Insértelo por completo hasta que quede asegurado en su lugar haciendo un pequeño clic. Luego cierre con el seguro la cubierta de la batería.



► 1. Cartucho de batería

Para quitar el cartucho de batería, sáquelo de la herramienta mientras desliza el botón enfrente del cartucho.

**⚠️ PRECAUCIÓN:** Siempre introduzca completamente el cartucho de batería hasta que el indicador rojo no pueda verse. De lo contrario, podría salirse accidentalmente de la aspiradora y ocasionarle lesiones a usted o a alguien a su alrededor.

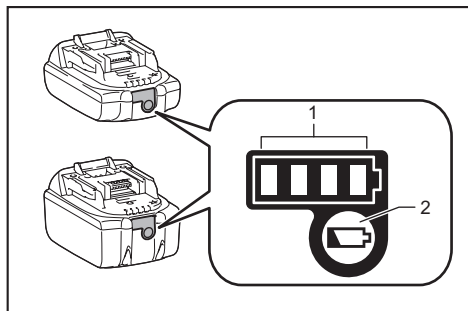
**⚠️ PRECAUCIÓN:** No instale el cartucho de batería a la fuerza. Si el cartucho no se desliza al interior fácilmente, se debe a que no está siendo insertado correctamente.

**NOTA:** La aspiradora no funciona con un sólo cartucho de batería.

**NOTA:** Retire la clavija de la aspiradora del cable de extensión cuando use la aspiradora con las baterías.

## Indicación de la capacidad restante de la batería

*Únicamente para cartuchos de batería con el indicador*



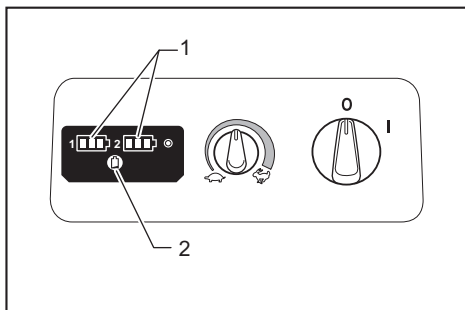
► 1. Luces indicadoras 2. Botón de verificación

Oprima el botón de verificación en el cartucho de la batería para que indique la capacidad restante de la batería. Las luces indicadoras se iluminarán por algunos segundos.

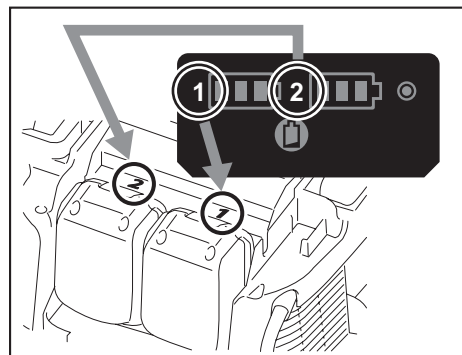
Luces indicadoras			Capacidad restante
Iluminadas	Apagadas	Parpadeando	
■	□	▧	75% a 100%
■ ■ ■ ■			
■ ■ ■ □			50% a 75%
■ ■ □ □			25% a 50%
■ □ □ □			0% a 25%
▧ □ □ □			Cargar la batería.
■ ■ □ □			La batería pudo haber funcionado mal.
□ □ ■ ■	↑ ↓		

**NOTA:** Dependiendo de las condiciones de uso y la temperatura ambiente, la indicación podrá diferir ligeramente de la capacidad real.

## Indicación de capacidad restante de la batería



► 1. Indicador de batería 2. Botón de verificación



Oprima el botón de verificación para indicar las capacidades restantes de la batería. Los indicadores de batería corresponden a cada batería.

Estado del indicador de batería			Capacidad restante de la batería
Encendido	Apagado	Parpadeando	
■	□	▧	50% a 100%
	■ ■ ■ ■		
	■ ■ ■ □		20% a 50%
	■ ■ □ □		0% a 20%
	▧ □ □ □		Cargar la batería



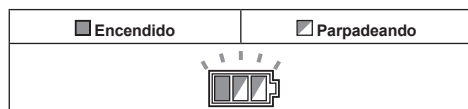
## Sistema de protección para la herramienta/batería

La herramienta está equipada con un sistema de protección de la herramienta/batería. Este sistema corta en forma automática el suministro de energía al motor para prolongar la vida útil de la herramienta y la batería. La herramienta se detendrá automáticamente durante la operación si la herramienta o la batería se someten a una de las siguientes condiciones:

### Protección contra sobrecarga

Cuando la herramienta se está utilizando de manera que causa que consuma una cantidad de corriente inusualmente alta, la herramienta se detiene automáticamente sin que haya indicación alguna. En este caso, apague la herramienta y detenga la aplicación que causó que la herramienta se sobrecargara. Luego encienda la herramienta para reiniciarla.

### Protección contra sobrecalentamiento

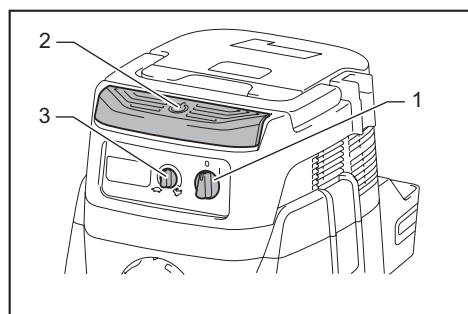


Cuando la herramienta se sobrecalienta, ésta se detiene automáticamente y el indicador de batería parpadea alrededor de 60 segundos. En este caso, espere a que la herramienta se enfríe antes de volver a encenderla.

### Protección contra sobredescarga

Cuando la capacidad de la batería se reduce, la herramienta se detiene automáticamente. Si el producto no funciona incluso cuando los interruptores están siendo operados, retire las baterías de la herramienta y cárguelas.

## Accionamiento del interruptor





- 1. Interruptor de modo en espera 2. Botón de encendido/apagado 3. Perilla de ajuste de la fuerza de succión

Para arrancar la aspiradora:

1. Ajuste el interruptor de modo en espera en el lado "I". La aspiradora se pondrá en el estado de modo en espera.
  2. Oprima el botón de encendido/apagado.
- Para poner la aspiradora en el modo en espera, oprima nuevamente el botón de encendido/apagado. Para apagar la aspiradora, ajuste el interruptor de modo en espera en el lado "O".

La potencia de succión se puede ajustar según sus necesidades de trabajo.

La potencia de succión se puede incrementar girando la perilla de ajuste de la fuerza de succión del símbolo  al símbolo .

**AVISO:** Ajuste siempre el interruptor de modo en espera en el lado "O" cuando no vaya a utilizar la aspiradora durante un tiempo prolongado. La aspiradora consumirá energía durante el estado de modo en espera.

## Parada de succión automática durante la operación para aspirar objetos húmedos

*Únicamente para el modelo con filtro de tela*

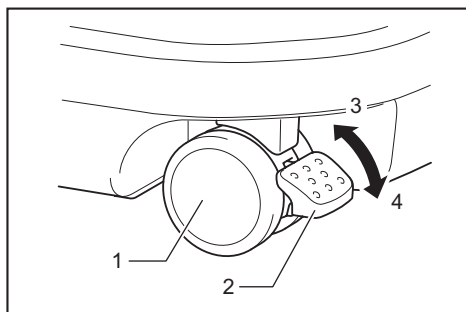
**ADVERTENCIA:** No utilice el aparato durante un tiempo prolongado mientras el flotador esté funcionando. El usar la aspiradora con su flotador funcionando durante un tiempo prolongado podría causar un sobrecalentamiento y la deformación de la aspiradora.

**ADVERTENCIA:** No aspire espuma ni jabón líquido. El aspirar espuma o jabón líquido podría causar que saliera espuma por la salida de aire antes de que el flotador comience a funcionar. Continuar usando el aparato en estas condiciones podría ocasionar una descarga eléctrica y la avería de la aspiradora.

La parada de succión automática sólo funciona cuando se usa con el flotador y la caja del flotador.

La aspiradora cuenta con un mecanismo de flotación que evita que se introduzca agua al motor cuando se aspira más de cierta cantidad de agua. Cuando el tanque se llena, la aspiradora deja de aspirar agua; apague la aspiradora y vacíe el tanque.

## Bloqueo o desbloqueo de la rueda



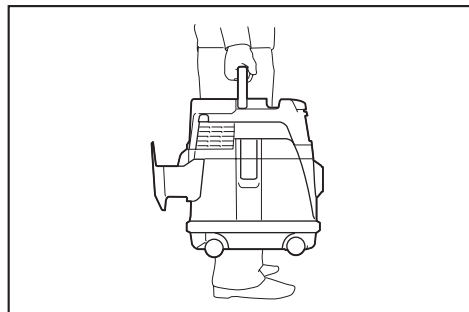
- 1. Rueda 2. Palanca del tope 3. Posición LIBERADA 4. Posición BLOQUEADA

Es conveniente bloquear la rueda para almacenar la aspiradora, detener el trabajo momentáneamente y mantener la aspiradora inmóvil. Para usar el tope, muévelo manualmente. Para bloquear la rueda con el tope, baje la palanca del tope y la rueda ya no podrá girar. Para liberar la rueda de la posición bloqueada, levante la palanca del tope.

**NOTA:** Cuando mueva la aspiradora, asegúrese de que la rueda esté desbloqueada. El mover la aspiradora con la rueda en la posición bloqueada podría causar daños a la rueda.

## Mango de transporte

Cuando transporte la aspiradora, sosténgala del mango ubicado en la cabeza. El mango en la cabeza es retráctil para guardarse cuando no se utilice.



## MONTAJE

**⚠PRECAUCIÓN:** Asegúrese siempre de que la aspiradora esté apagada y desenchufada y el cartucho de batería haya sido extraído antes de realizar cualquier trabajo en la aspiradora.

**⚠PRECAUCIÓN:** Utilice siempre una máscara contra el polvo durante el ensamblado o mantenimiento.

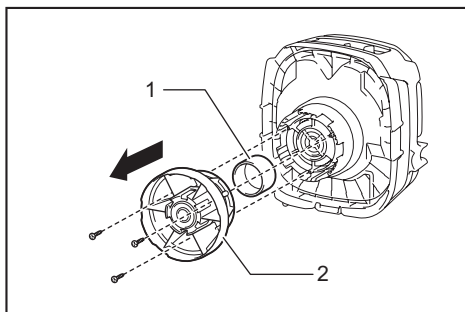
## Instalación del filtro de polvo (HEPA) y el prefiltro (para polvo seco)

*Accesorio opcional para el modelo con filtro de tela*

**⚠PRECAUCIÓN:** Nunca aspire agua ni otros líquidos o polvo húmedo cuando utilice el filtro de polvo. El aspirar este tipo de objetos podría causar la avería del filtro de polvo.

Para usar el filtro de polvo:

1. Extraiga la caja del flotador y el flotador retirando los pernos.

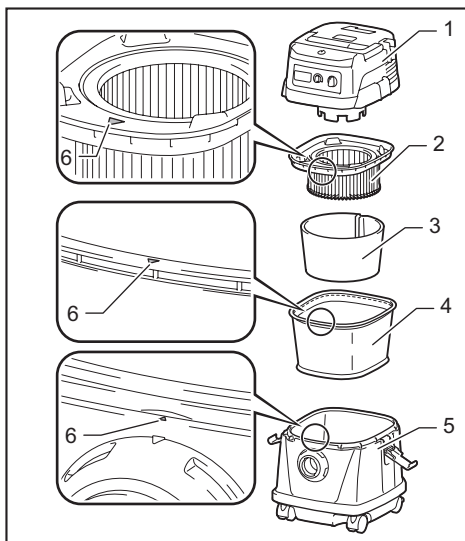


► 1. Flotador 2. Caja del flotador

2. Coloque el prefiltro en el tanque alineando las marcas de posición de montaje.

3. Instale el amortiguador en el filtro de polvo y luego colóquelos en el prefiltro alineando las marcas de posición de montaje.

4. Por último, instale la cubierta del tanque y asegúrela.



► 1. Cubierta del tanque 2. Filtro de polvo (HEPA)  
3. Amortiguador 4. Prefiltro 5. Tanque 6. Marca de posición de montaje

**AVISO:** Antes de usar el filtro de polvo, asegúrese de que el prefiltro y el amortiguador siempre se utilicen juntos. El filtro de polvo no debe ser instalado solo.

## Instalación del filtro de agua

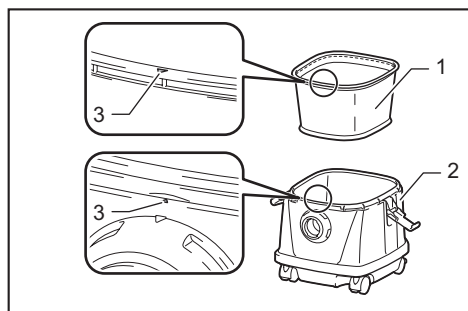
Accesorio opcional para el modelo con filtro de tela

**⚠PRECAUCIÓN:** Nunca aspire agua ni polvo húmedo sin el flotador y el filtro de tela o el filtro de agua.

**⚠PRECAUCIÓN:** Para aspirar polvo húmedo, asegúrese de que la caja del flotador y el flotador estén instalados en la aspiradora.

**⚠PRECAUCIÓN:** Cuando instale el filtro de agua en el tanque, fíjelo bien en la abertura del tanque de manera que el gancho del filtro de agua quede ensartado firmemente en la abertura del tanque y no quede espacio entre el filtro de agua y el tanque.

Para aspirar solamente agua o polvo húmedo, es más conveniente usar el filtro de agua que el filtro de tela. Cuando instale el filtro de agua, alinee su marca de posición de montaje con la del tanque.



► 1. Filtro de agua 2. Tanque 3. Marca de posición de montaje

**NOTA:** Se recomienda usar el filtro de agua cuando vaya a aspirar una gran cantidad de agua de manera repetida. De lo contrario, la capacidad de la aspiradora podría verse reducida si usa el filtro de tela.

## Instalación de la bolsa de papel para polvo

Accesorio opcional

**⚠ADVERTENCIA:** Cuando use la bolsa de papel para polvo, utilice también junto con ésta el filtro de tela o el prefiltro preinstalado en la aspiradora. El no utilizar junto con ésta el filtro de tela/prefiltro podría ocasionar un ruido y calentamiento anormales provocando un incendio.

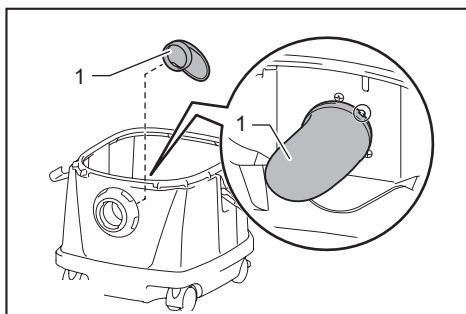
**⚠PRECAUCIÓN:** (Para el modelo con filtro de tela)

- Nunca aspire agua ni otros líquidos o polvo húmedo cuando utilice la bolsa de papel para polvo. El aspirar este tipo de objetos podría causar la avería de la bolsa de papel para polvo.
- Antes de usar la bolsa de papel para polvo, asegúrese de que el filtro de polvo (accesorio opcional), el amortiguador (accesorio opcional) y el prefiltro se utilicen siempre juntos.

**⚠PRECAUCIÓN:** (Para el modelo con filtro de polvo)

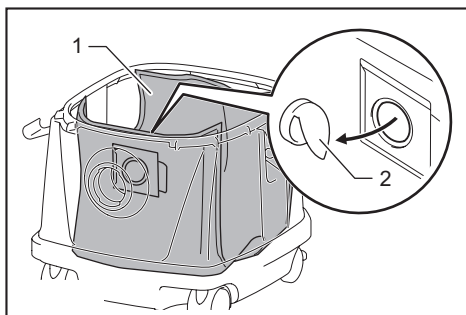
- Antes de usar la bolsa de papel para polvo, asegúrese de que el filtro de polvo, el amortiguador y el prefiltro se utilicen siempre juntos.

1. Retire el sujetador de goma.



► 1. Sujetador de goma

2. Extienda la bolsa de papel para polvo.
3. Alinee la abertura de la bolsa de papel para polvo con la abertura de succión de polvo de la aspiradora.
4. Inserte el cartón de la bolsa de papel para polvo en el sujetador de manera que quede colocado en el extremo más allá de la protuberancia del tope.

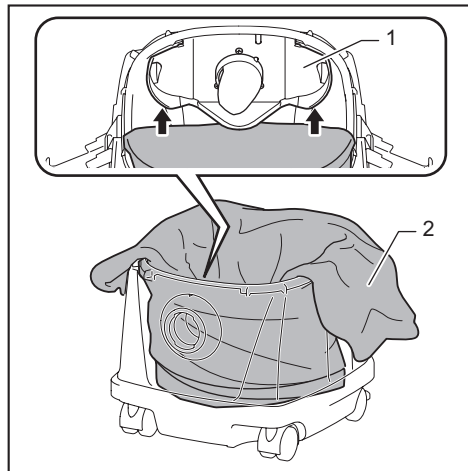


► 1. Bolsa de papel para polvo 2. Sujetador

## Instalación de la bolsa de polietileno

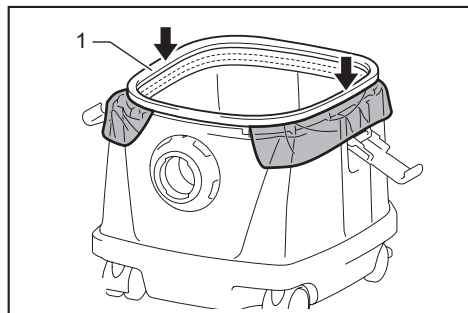
La aspiradora también se puede utilizar sin la bolsa de polietileno. Sin embargo, con el uso de la bolsa de polietileno resulta más fácil vaciar el tanque sin ensuciarse las manos.

Extienda la bolsa de polietileno en el tanque. Insértela entre la placa del sujetador y el tanque, y júlela hacia la entrada para la manguera.



► 1. Placa del sujetador 2. Bolsa de polietileno

Extienda la bolsa alrededor de la parte superior del tanque de manera que el borde del filtro de tela/prefiltro pueda agarrar y sujetar la bolsa firmemente.



► 1. Filtro de tela/prefiltro

**NOTA:** Se puede utilizar cualquier bolsa de polietileno disponible en el mercado. Se recomienda el uso de una con un grosor de 0,04 mm o más.

**NOTA:** Si se recolecta demasiado polvo la bolsa podría romperse fácilmente, por lo que debe evitar recolectar más de la mitad de la capacidad de la bolsa.

## Vaciado de la bolsa de polietileno

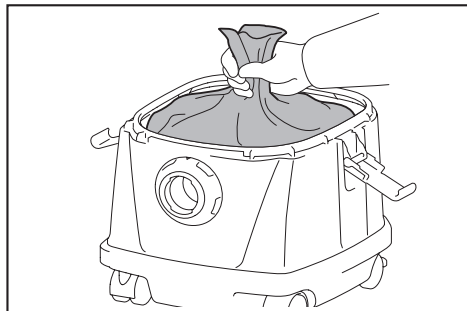
**⚠ADVERTENCIA:** Asegúrese siempre de que la aspiradora esté apagada, desenchufada y que el cartucho de batería haya sido extraído antes de vaciar la bolsa de polietileno. El no hacerlo podría ocasionar una descarga eléctrica y lesiones personales graves.

**⚠PRECAUCIÓN:** Evite los impactos fuertes sobre la caja del flotador y el tanque. Un impacto fuerte podría deformar y dañar las piezas.

**⚠PRECAUCIÓN:** Vacíe el tanque por lo menos una vez al día, aunque esto dependerá del volumen de polvo aspirado en el tanque. De lo contrario, la fuerza de succión se vería reducida y el motor podría averiarse.

**⚠PRECAUCIÓN:** Evite agarrar el gancho mientras vacía el tanque. El agarrar el gancho podría ocasionar que éste se rompa.

Desenganche y levante la cubierta del tanque. Sacuda el polvo del filtro de tela/prefiltro y luego retire la bolsa de polietileno del tanque.



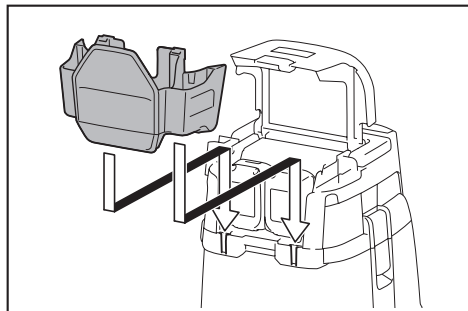
**NOTA:** Retire con cuidado la bolsa de polietileno del tanque de manera que ésta no pueda quedar enganchada y romperse por la protuberancia en el interior del tanque al vaciarla.

**NOTA:** Vacíe la bolsa de polietileno antes de que se llene. Demasiado polvo en el tanque podría causar que la bolsa de polietileno se rompa.

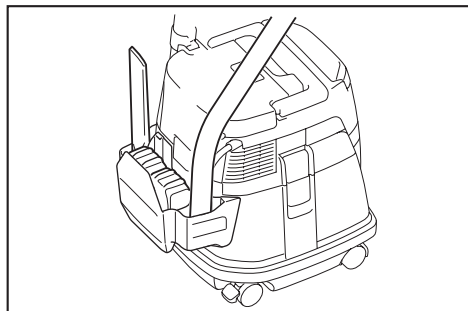
## Instalación de la caja de herramientas

1. Libere el seguro de la cubierta de la batería y ábrala.
2. Coloque los rieles en la caja de herramientas a lo largo de las ranuras en la carcasa.

3. Cierre la cubierta de la batería y ponga el seguro.



La caja de herramientas resulta conveniente para guardar baterías, cables de extensión, tubos o bocas.

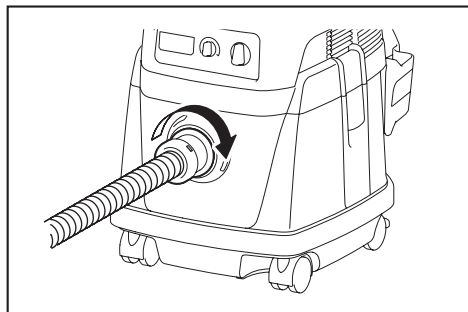


## Conexión de la manguera

**AVISO:** Nunca fuerce la manguera para doblarla o aplastarla. Nunca mueva la aspiradora tomándola de la manguera. El forzar, aplastar y jalar la manguera podría ocasionar que ésta se averíe o se deforme.

**AVISO:** Cuando aspire residuos grandes tales como los generados al tallar con cepillo, polvo de concreto o similares que no sean residuos pequeños, utilice la manguera con diámetro interior de 38 mm (accesorio opcional). El usar la manguera con diámetro interior de 28 mm (accesorio opcional) podría causar obstrucciones y daños a la manguera.

Inserte la manguera en el puerto de montaje del tanque y gírela en el sentido de las manecillas del reloj hasta que quede asegurada.



## MANTENIMIENTO

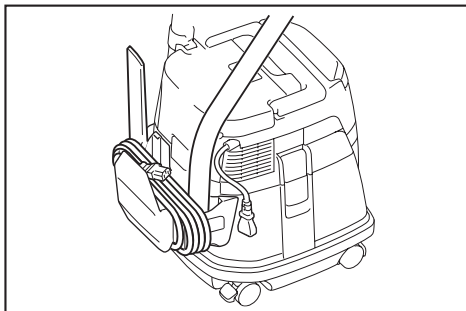
**PRECAUCIÓN:** Asegúrese siempre de que la aspiradora esté apagada y desenchufada y el cartucho de batería haya sido extraído antes de intentar realizar una inspección o mantenimiento.

**AVISO:** Nunca use gasolina, bencina, diluyente (tiner), alcohol o sustancias similares. Puede que esto ocasione grietas o descoloramiento.

Para mantener la SEGURIDAD y FIABILIDAD del producto, las reparaciones, y cualquier otra tarea de mantenimiento o ajuste deberán ser realizadas en centros de servicio autorizados o de fábrica Makita, empleando siempre repuestos Makita.

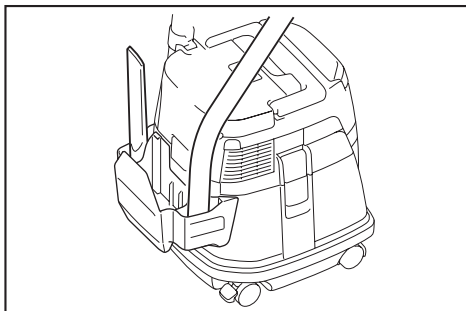
## Almacenamiento del cable del suministro de alimentación

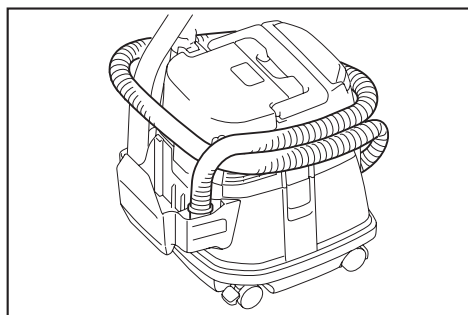
Puede enrollar el cable del suministro de alimentación alrededor de la caja de herramientas.



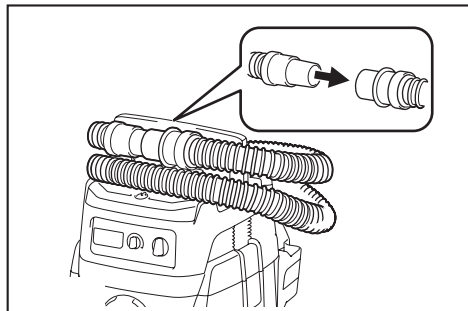
## Almacenamiento de los accesorios

Los tubos se pueden colocar en el portatubos cuando no vaya a utilizar la aspiradora por poco tiempo.





La manguera se puede guardar alrededor de la herramienta conectando los extremos.

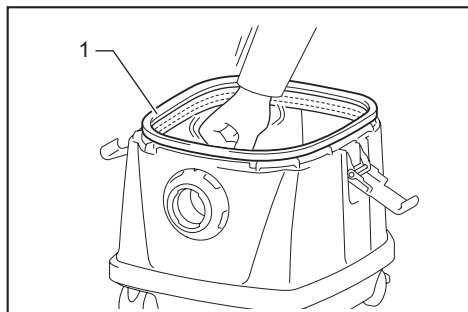


## Limpieza del filtro de tela

**Únicamente para el modelo con filtro de tela**

La obstrucción del filtro de tela causa que el desempeño de la succión sea deficiente. Limpie el filtro de tela ocasionalmente.

Para eliminar el polvo o las partículas adheridos al filtro de tela, sacuda con rapidez varias veces la parte inferior del marco.



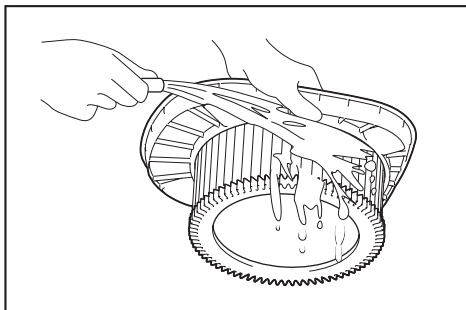
► 1. Filtro de tela

## Limpieza del filtro de polvo (HEPA) y el prefiltro

**Únicamente para el modelo con filtro de polvo**

La obstrucción del filtro de polvo, el prefiltro y el amortiguador causa que el desempeño de la succión sea deficiente. Limpie los filtros y amortiguadores ocasionalmente.

Para eliminar el polvo o las partículas adheridos a los filtros, sacuda con rapidez varias veces la parte inferior del marco.



De vez en cuando lave el filtro de polvo con agua, enjuáguelo y séquelo bien a la sombra antes de usarlo. Nunca lave los filtros en la lavadora.

**NOTA:** No frote ni raye el filtro de polvo, el prefiltro o el amortiguador con objetos duros tales como un cepillo y una pala.

**NOTA:** Los filtros se desgastan con el tiempo. Se recomienda contar con piezas de repuesto.

## ACCESORIOS OPCIONALES

**⚠PRECAUCIÓN:** Estos accesorios o aditamentos están recomendados para utilizarse con su herramienta Makita especificada en este manual. El empleo de cualquier otro accesorio o aditamento puede conllevar el riesgo de lesiones personales. Utilice los accesorios o aditamentos solamente para su fin establecido.

Si necesita cualquier ayuda para más detalles en relación con estos accesorios, pregunte a su centro de servicio local Makita.

- Manguera
- Boca delantera (22, 24, 38)
- Tubo recto
- Boquilla para esquinas
- Cepillo redondo
- Filtro de polvo, HEPA (para polvo seco)
- Amortiguador
- Prefiltro
- Conjunto de boquillas
- Tubo curvo

- Bolsa de polietileno
- Bolsa de papel para polvo
- Juego de sujetadores
- Filtro de agua (opcional para el modelo con filtro de tela)
- Batería y cargador originales de Makita

**NOTA:** Algunos de los artículos en la lista pueden incluirse en el paquete de la herramienta como accesorios estándar. Éstos pueden variar de país a país.

## **GARANTÍA LIMITADA DE MAKITA**

### **Ésta Garantía no aplica para México**

Consulte la hoja de la garantía anexa para ver los términos más vigentes de la garantía aplicable a este producto. En caso de no disponer de esta hoja de garantía anexa, consulte los detalles sobre la garantía descritos en el sitio web de su país respectivo indicado a continuación.

Estados Unidos de América: [www.makitatools.com](http://www.makitatools.com)

Canadá: [www.makita.ca](http://www.makita.ca)

Otros países: [www.makita.com](http://www.makita.com)

< USA only >

# WARNING

Some dust created by power sanding, sawing, grinding, drilling, and other construction activities contains chemicals known to the State of California to cause cancer, birth defects or other reproductive harm. Some examples of these chemicals are:

- lead from lead-based paints,
- crystalline silica from bricks and cement and other masonry products, and
- arsenic and chromium from chemically-treated lumber.

Your risk from these exposures varies, depending on how often you do this type of work. To reduce your exposure to these chemicals: work in a well ventilated area, and work with approved safety equipment, such as those dust masks that are specially designed to filter out microscopic particles.

< Sólo en los Estados Unidos >

# ADVERTENCIA

Algunos polvos creados por el lijado, aserrado, esmerilado, taladrado y otras actividades de la construcción contienen sustancias químicas reconocidas por el Estado de California como causantes de cáncer, defectos de nacimiento y otros peligros de reproducción. Algunos ejemplos de estos productos químicos son:

- plomo de pinturas a base de plomo,
- sílice cristalino de ladrillos y cemento y otros productos de albañilería, y
- arsénico y cromo de maderas tratadas químicamente.

El riesgo al que se expone varía, dependiendo de la frecuencia con la que realice este tipo de trabajo. Para reducir la exposición a estos productos químicos: trabaje en un área bien ventilada y póngase el equipo de seguridad indicado, tal como las máscaras contra polvo que están especialmente diseñadas para filtrar partículas microscópicas.

**Makita Corporation**

3-11-8, Sumiyoshi-cho,  
Anjo, Aichi 446-8502 Japan

[www.makita.com](http://www.makita.com)

885717-941  
XCV12-1  
EN, ESMX  
20190207