



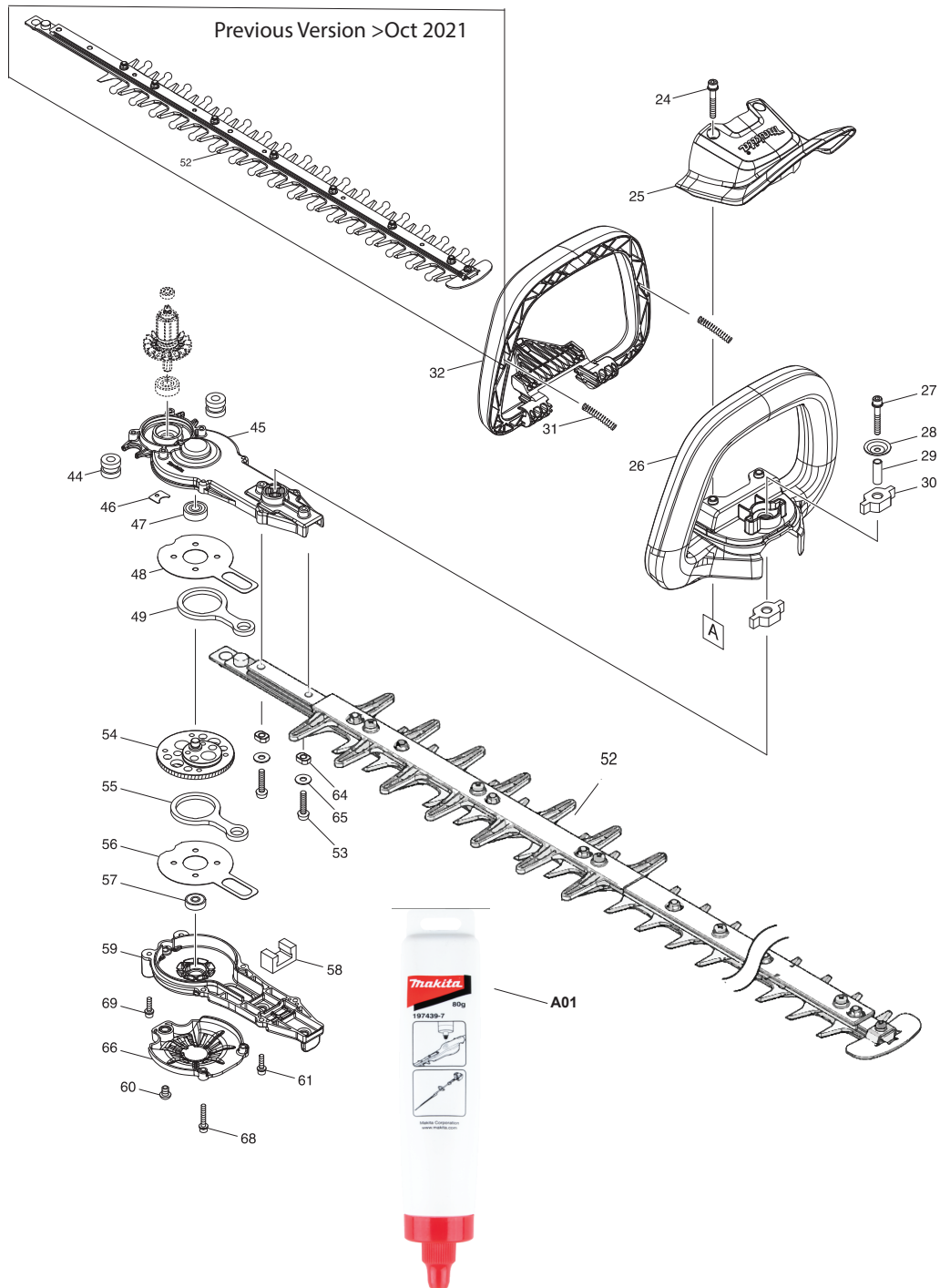
XHU08

Products with multiple versions are listed in subsiding order with the newest version on top not indented.

Section	Fig. No.	Part No.	Description	XHU08	Tech Bulletin	Notes
1	1	458406-0	LOCK LEVER L	1		
1	2	183J69-0	HANDLE SET	1		INC 14
1		263005-3	RUBBER PIN 6	2		INC WITH FIG 2
1		803N81-5	CAUTION LABEL	1		INC WITH FIG 2
1	3	140A04-7	SUB CONTROLLER COMPLETE	1		
1	4	458570-7	SLIDER	1		
1	5	458405-2	LOCK ARM	1		
1	6	234204-4	COMPRESSION SPRING 8	1		
1	7	650781-2	SWITCH C3JW-6B-P	1		
1	8	458403-6	LOCK OFF LEVER	1		
1	9	458404-4	SWITCH LEVER R	1		
1	10	232454-5	TORSION SPRING 10	1		
1	11	620K05-6	CONTROLLER	1	DE312	
1	11	620B18-3	CONTROLLER	1		
1	11	620818-9	CONTROLLER	1		
1	12	644809-6	TERMINAL	1		
1	14	183J69-0	HANDLE SET	1		INC 2
1		263005-3	RUBBER PIN 6	2		INC WITH FIG 14
1		803N81-5	CAUTION LABEL	1		INC WITH FIG 14
1	15	266326-2	TAPPING SCREW 4X18	6		
1	16	458407-8	LOCK LEVER R	1		
1	17	266326-2	TAPPING SCREW 4X18	1		
1	19	183K21-4	HOUSING SET	1		INC 22
1		252143-6	COLLARED HEX NUT M5-8	2		INC WITH FIG 19
1		424344-8	DAMPER	4		INC WITH FIG 19
1	20	651083-9	SWITCH C3XA-1PSPM	1		
1	21	266326-2	TAPPING SCREW 4X18	4		
1	22	183K21-4	HOUSING SET	1		INC 19
1		252143-6	COLLARED HEX NUT M5-8	2		INC WITH FIG 22
1		424344-8	DAMPER	4		INC WITH FIG 22
1	23	266326-2	TAPPING SCREW 4X18	2		
1	33	422261-6	RUBBER SLEEVE	1		
1	34	183J52-7	MOTOR HOUSING SET	1		INC 40
1	35	266490-9	TAPPING SCREW PT 2X6	3		
1	36	629352-6	STATOR	1		

Products with multiple versions are listed in subsiding order with the newest version on top not indented.

Section	Fig. No.	Part No.	Description	XHU08	Tech Bulletin	Notes
1	37	652069-6	FLAT HEAD SCREW M3X6	3		
1	38	266326-2	TAPPING SCREW 4X18	4		
1	39	911128-8	PAN HEAD SCREW M4X16 WITH WR	4		
1	39	265178-8	PAN HEAD SCREW M4X16	4		
1	40	183J52-7	MOTOR HOUSING SET	1		INC 34
1	41	211157-4	BALL BEARING 695ZZ	1		
1	42	510450-6	ROTOR ASSY	1		INC 41, 43
1	42	519557-5	ROTOR ASSY	1		INC 41, 43
1	43	210005-4	BALL BEARING, 608DDW	1		
1	43	211032-4	BALL BEARING 608ZZ	1		



Products with multiple versions are listed in subsiding order with the newest version on top not indented.

Section	Fig. No.	Part No.	Description	XHU08	Tech Bulletin	Notes
2	24	265182-7	+ PAN HEAD SCREW M5X25	2		
2	25	458399-1	PROTECTOR	1		
2	26	458400-2	FRONT GRIP E	1		
2	27	251476-6	H.S.H.BOLT M5X35 WITH WR	1		
2	28	253416-0	DISH WASHER 5	1		
2	29	257678-2	SLEEVE 6	1		
2	30	422260-8	RUBBER SLEEVE 8	2		
2	31	233222-9	COMPRESSION SPRING 5	2		
2	32	458402-8	SWITCH LEVER F	1		
2	44	422259-3	RUBBER SLEEVE 8	2		
2	45	140F22-5	GEAR HOUSING COMPLETE	1		
2		424344-8	DAMPER	1		INC WITH FIG 45
2	46	458417-5	GASKET	1		
2	47	211032-4	BALL BEARING 608ZZ	1		
2	48	347361-0	FRICION PLATE	1		
2	49	347362-8	CONNECTING ROD	1		
2	52	191R58-9	SHEAR BLADE ASSEMBLY SET 750 S	1	D8629	OCT 2021> INC 65
2		345205-8	END COVER	1		INC WITH FIG 52
2		911208-0	PAN HEAD SCREW M5X10	1		INC WITH FIG 52
2		257465-9	RING 5	1		INC WITH FIG 52
2	52	199102-8	SHEAR BLADE ASSEMBLY 750A SET	1	D8629	>SEP 2021 INC 64, 65
2		345205-8	END COVER	1		INC WITH FIG 52
2		911208-0	PANA HEAD SCREW M5X10	1		INC WITH FIG 52
2		257465-9	RING 5	2		INC WITH FIG 52
2	53	265182-7	+ PAN HEAD SCREW M5X25	2		
2	54	140B79-2	GEAR COMPLETE	1	D8629	OCT 2021>
2	54	140B80-7	GEAR COMPLETE	1	D8629	>SEP 2021
2	55	347362-8	CONNECTING ROD	1		
2	56	347361-0	FRICION PLATE	1		
2	57	211016-2	BALL BEARING 626LLB	1		
2	57	211499-6	BALL BEARING 626ZZ	1		
2	58	443159-4	SEAL	1		
2	59	140B62-9	GEAR HOUSING COVER COMPLETE	1		
2	60	265338-2	H.S.BOTTON HEAD BOLT M6X8	1		
2	61	265A29-1	HEX. SOCKET HEAD BOLT M4X16WR	2		

Products with multiple versions are listed in subsiding order with the newest version on top not indented.

Section	Fig. No.	Part No.	Description	XHU08	Tech Bulletin	Notes
2	64	313211-1	SLEEVE 5	2		
2	65	253804-1	FLAT WASHER 6	2		
2	66	458907-8	UNDER COVER	1		
2	68	265698-2	HEX. SOCKET HEAD BOLT M4X25WR	2		
2	69	265A29-1	HEX. SOCKET HEAD BOLT M4X16WR	2		
2	A01	197439-7	GEAR GREASE	1		