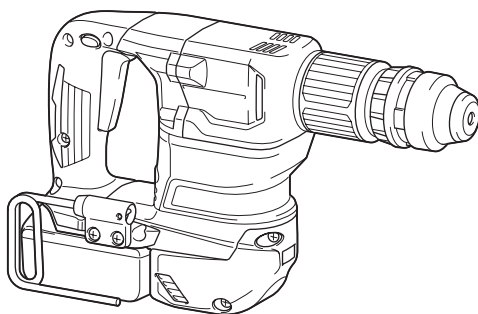


**INSTRUCTION MANUAL
MANUAL DE INSTRUCCIONES**



Cordless Power Scraper Raspador Inalámbrico

XKH01



IMPORTANT: Read Before Using.

IMPORTANTE: Lea antes de usar.

SPECIFICATIONS

| | |
|------------------|------------------------------|
| Model: | XKH01 |
| Blows per minute | 0 - 3,200 /min |
| Overall length | 368 mm (14-1/2") |
| Rated voltage | D.C. 18 V |
| Net weight | 3.3 - 3.6 kg (7.3 - 7.9 lbs) |

- Due to our continuing program of research and development, the specifications herein are subject to change without notice.
- Specifications may differ from country to country.
- The weight may differ depending on the attachment(s), including the battery cartridge. The lightest and heaviest combination, according to EPTA-Procedure 01/2014, are shown in the table.

Applicable battery cartridge, battery adapter and charger

| | |
|-------------------|--|
| Battery cartridge | BL1815N / BL1820B / BL1830 / BL1830B / BL1840B / BL1850B / BL1860B |
| Battery adapter | PDC01 |
| Charger | DC18RC / DC18RD / DC18RE / DC18SD / DC18SE / DC18SF |

- Some of the battery cartridges, battery adapters and chargers listed above may not be available depending on your region of residence.
- Before using the battery adapter, read instruction and cautionary markings on the battery adapter.

⚠WARNING: Only use the battery cartridges, battery adapters and chargers listed above. Use of any other battery cartridges, battery adapters and chargers may cause injury and/or fire.

SAFETY WARNINGS

General power tool safety warnings

⚠WARNING: Read all safety warnings, instructions, illustrations and specifications provided with this power tool. Failure to follow all instructions listed below may result in electric shock, fire and/or serious injury.

Save all warnings and instructions for future reference.

The term "power tool" in the warnings refers to your mains-operated (corded) power tool or battery-operated (cordless) power tool.

Work area safety

1. **Keep work area clean and well lit.** Cluttered or dark areas invite accidents.
2. **Do not operate power tools in explosive atmospheres, such as in the presence of flammable liquids, gases or dust.** Power tools create sparks which may ignite the dust or fumes.
3. **Keep children and bystanders away while operating a power tool.** Distractions can cause you to lose control.

Electrical Safety

1. **Power tool plugs must match the outlet. Never modify the plug in any way. Do not use any adapter plugs with earthed (grounded) power tools.** Unmodified plugs and matching outlets will reduce risk of electric shock.

2. **Avoid body contact with earthed or grounded surfaces, such as pipes, radiators, ranges and refrigerators.** There is an increased risk of electric shock if your body is earthed or grounded.
3. **Do not expose power tools to rain or wet conditions.** Water entering a power tool will increase the risk of electric shock.
4. **Do not abuse the cord. Never use the cord for carrying, pulling or unplugging the power tool. Keep cord away from heat, oil, sharp edges or moving parts.** Damaged or entangled cords increase the risk of electric shock.
5. **When operating a power tool outdoors, use an extension cord suitable for outdoor use.** Use of a cord suitable for outdoor use reduces the risk of electric shock.
6. **If operating a power tool in a damp location is unavoidable, use a ground fault circuit interrupter (GFCI) protected supply.** Use of a GFCI reduces the risk of electric shock.
7. **Power tools can produce electromagnetic fields (EMF) that are not harmful to the user.** However, users of pacemakers and other similar medical devices should contact the maker of their device and/or doctor for advice before operating this power tool.

Personal Safety

1. **Stay alert, watch what you are doing and use common sense when operating a power tool. Do not use a power tool while you are tired or under the influence of drugs, alcohol or medication.** A moment of inattention while operating power tools may result in serious personal injury.

2. **Use personal protective equipment. Always wear eye protection.** Protective equipment such as dust mask, non-skid safety shoes, hard hat, or hearing protection used for appropriate conditions will reduce personal injuries.
3. **Prevent unintentional starting. Ensure the switch is in the off-position before connecting to power source and/or battery pack, picking up or carrying the tool.** Carrying power tools with your finger on the switch or energising power tools that have the switch on invites accidents.
4. **Remove any adjusting key or wrench before turning the power tool on.** A wrench or a key left attached to a rotating part of the power tool may result in personal injury.
5. **Do not overreach. Keep proper footing and balance at all times.** This enables better control of the power tool in unexpected situations.
6. **Dress properly. Do not wear loose clothing or jewellery. Keep your hair, clothing and gloves away from moving parts.** Loose clothes, jewellery or long hair can be caught in moving parts.
7. **If devices are provided for the connection of dust extraction and collection facilities, ensure these are connected and properly used.** Use of dust collection can reduce dust-related hazards.
8. **Do not let familiarity gained from frequent use of tools allow you to become complacent and ignore tool safety principles.** A careless action can cause severe injury within a fraction of a second.
9. **Always wear protective goggles to protect your eyes from injury when using power tools. The goggles must comply with ANSI Z87.1 in the USA.**
It is an employer's responsibility to enforce the use of appropriate safety protective equipment by the tool operators and by other persons in the immediate working area.
6. **Keep cutting tools sharp and clean.** Properly maintained cutting tools with sharp cutting edges are less likely to bind and are easier to control.
7. **Use the power tool, accessories and tool bits etc. in accordance with these instructions, taking into account the working conditions and the work to be performed.** Use of the power tool for operations different from those intended could result in a hazardous situation.
8. **Keep handles and grasping surfaces dry, clean and free from oil and grease.** Slippery handles and grasping surfaces do not allow for safe handling and control of the tool in unexpected situations.
9. **When using the tool, do not wear cloth work gloves which may be entangled.** The entanglement of cloth work gloves in the moving parts may result in personal injury.

Battery tool use and care

1. **Recharge only with the charger specified by the manufacturer.** A charger that is suitable for one type of battery pack may create a risk of fire when used with another battery pack.
 2. **Use power tools only with specifically designated battery packs.** Use of any other battery packs may create a risk of injury and fire.
 3. **When battery pack is not in use, keep it away from other metal objects, like paper clips, coins, keys, nails, screws or other small metal objects, that can make a connection from one terminal to another.** Shorting the battery terminals together may cause burns or a fire.
 4. **Under abusive conditions, liquid may be ejected from the battery; avoid contact. If contact accidentally occurs, flush with water. If liquid contacts eyes, additionally seek medical help.** Liquid ejected from the battery may cause irritation or burns.
 5. **Do not use a battery pack or tool that is damaged or modified.** Damaged or modified batteries may exhibit unpredictable behaviour resulting in fire, explosion or risk of injury.
 6. **Do not expose a battery pack or tool to fire or excessive temperature.** Exposure to fire or temperature above 130 °C may cause explosion.
 7. **Follow all charging instructions and do not charge the battery pack or tool outside the temperature range specified in the instructions.** Charging improperly or at temperatures outside the specified range may damage the battery and increase the risk of fire.
- #### Service
1. **Have your power tool serviced by a qualified repair person using only identical replacement parts.** This will ensure that the safety of the power tool is maintained.
 2. **Never service damaged battery packs.** Service of battery packs should only be performed by the manufacturer or authorized service providers.
 3. **Follow instruction for lubricating and changing accessories.**
 4. **Do not modify or attempt to repair the appliance or the battery pack except as indicated in the instructions for use and care.**
- #### Power tool use and care
1. **Do not force the power tool. Use the correct power tool for your application.** The correct power tool will do the job better and safer at the rate for which it was designed.
 2. **Do not use the power tool if the switch does not turn it on and off.** Any power tool that cannot be controlled with the switch is dangerous and must be repaired.
 3. **Disconnect the plug from the power source and/or remove the battery pack, if detachable, from the power tool before making any adjustments, changing accessories, or storing power tools.** Such preventive safety measures reduce the risk of starting the power tool accidentally.
 4. **Store idle power tools out of the reach of children and do not allow persons unfamiliar with the power tool or these instructions to operate the power tool.** Power tools are dangerous in the hands of untrained users.
 5. **Maintain power tools and accessories. Check for misalignment or binding of moving parts, breakage of parts and any other condition that may affect the power tool's operation. If damaged, have the power tool repaired before use.** Many accidents are caused by poorly maintained power tools.

Cordless Power Scraper Safety Warnings


1. **Wear ear protectors.** Exposure to noise can cause hearing loss.
2. **Use auxiliary handle(s), if supplied with the tool.** Loss of control can cause personal injury.
3. **Hold power tool by insulated gripping surfaces, when performing an operation where the cutting accessory may contact hidden wiring.** Cutting accessory contacting a "live" wire may make exposed metal parts of the power tool "live" and could give the operator an electric shock.
4. **Wear a hard hat (safety helmet), safety glasses and/or face shield. Ordinary eye or sun glasses are NOT safety glasses.** It is also highly recommended that you wear a dust mask and thickly padded gloves.
5. Be sure the bit is secured in place before operation.
6. Under normal operation, the tool is designed to produce vibration. The screws can come loose easily, causing a breakdown or accident. Check tightness of screws carefully before operation.
7. In cold weather or when the tool has not been used for a long time, let the tool warm up for a while by operating it under no load. This will loosen up the lubrication. Without proper warm-up, hammering operation is difficult.
8. Always be sure you have a firm footing. Be sure no one is below when using the tool in high locations.
9. Hold the tool firmly with both hands.
10. Keep hands away from moving parts.
11. Do not leave the tool running. Operate the tool only when hand-held.
12. Do not point the tool at any one in the area when operating. The bit could fly out and injure someone seriously.
13. Do not touch the bit, parts close to the bit, or workpiece immediately after operation; they may be extremely hot and could burn your skin.
14. Some material contains chemicals which may be toxic. Take caution to prevent dust inhalation and skin contact. Follow material supplier safety data.
15. Always be sure that the tool is switched off and the battery cartridge and the bit are removed before handing the tool to other person.
16. Do not operate the tool at no-load unnecessarily.

SAVE THESE INSTRUCTIONS.

⚠ WARNING: DO NOT let comfort or familiarity with product (gained from repeated use) replace strict adherence to safety rules for the subject product. MISUSE or failure to follow the safety rules stated in this instruction manual may cause serious personal injury.

Symbols

The followings show the symbols used for tool.

| | |
|---|---|
| v | volts |
| — --- | direct current |
| ... /min r /min | revolutions or reciprocation per minute |
|  | number of blow |

Important safety instructions for battery cartridge

1. Before using battery cartridge, read all instructions and cautionary markings on (1) battery charger, (2) battery, and (3) product using battery.
2. Do not disassemble battery cartridge.
3. If operating time has become excessively shorter, stop operating immediately. It may result in a risk of overheating, possible burns and even an explosion.
4. If electrolyte gets into your eyes, rinse them out with clear water and seek medical attention right away. It may result in loss of your eyesight.
5. Do not short the battery cartridge:
 - (1) Do not touch the terminals with any conductive material.
 - (2) Avoid storing battery cartridge in a container with other metal objects such as nails, coins, etc.
 - (3) Do not expose battery cartridge to water or rain. A battery short can cause a large current flow, overheating, possible burns and even a breakdown.
6. Do not store the tool and battery cartridge in locations where the temperature may reach or exceed 50 °C (122 °F).
7. Do not incinerate the battery cartridge even if it is severely damaged or is completely worn out. The battery cartridge can explode in a fire.
8. Be careful not to drop or strike battery.
9. Do not use a damaged battery.
10. The contained lithium-ion batteries are subject to the Dangerous Goods Legislation requirements. For commercial transports e.g. by third parties, forwarding agents, special requirement on packaging and labeling must be observed. For preparation of the item being shipped, consulting an expert for hazardous material is required. Please also observe possibly more detailed national regulations. Tape or mask off open contacts and pack up the battery in such a manner that it cannot move around in the packaging.
11. When disposing the battery cartridge, remove it from the tool and dispose of it in a safe place. Follow your local regulations relating to disposal of battery.
12. Use the batteries only with the products specified by Makita. Installing the batteries to non-compliant products may result in a fire, excessive heat, explosion, or leak of electrolyte.

13. If the tool is not used for a long period of time, the battery must be removed from the tool.

SAVE THESE INSTRUCTIONS.

CAUTION: Only use genuine Makita batteries. Use of non-genuine Makita batteries, or batteries that have been altered, may result in the battery bursting causing fires, personal injury and damage. It will also void the Makita warranty for the Makita tool and charger.

Tips for maintaining maximum battery life

1. Charge the battery cartridge before completely discharged. Always stop tool operation and charge the battery cartridge when you notice less tool power.
2. Never recharge a fully charged battery cartridge. Overcharging shortens the battery service life.
3. Charge the battery cartridge with room temperature at 10 °C - 40 °C (50 °F - 104 °F). Let a hot battery cartridge cool down before charging it.
4. Charge the battery cartridge if you do not use it for a long period (more than six months).

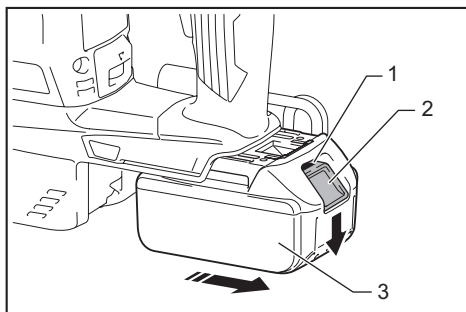
FUNCTIONAL DESCRIPTION

CAUTION: Always be sure that the tool is switched off and the battery cartridge is removed before adjusting or checking function on the tool.

Installing or removing battery cartridge

CAUTION: Always switch off the tool before installing or removing of the battery cartridge.

CAUTION: Hold the tool and the battery cartridge firmly when installing or removing battery cartridge. Failure to hold the tool and the battery cartridge firmly may cause them to slip off your hands and result in damage to the tool and battery cartridge and a personal injury.



▶ 1. Red indicator 2. Button 3. Battery cartridge

To remove the battery cartridge, slide it from the tool while sliding the button on the front of the cartridge.

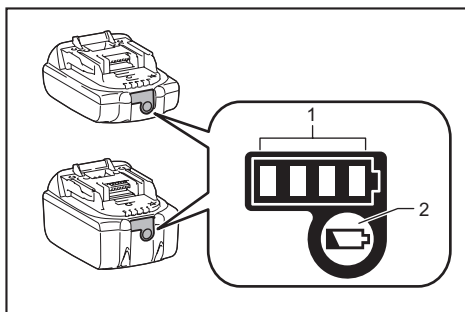
To install the battery cartridge, align the tongue on the battery cartridge with the groove in the housing and slip it into place. Insert it all the way until it locks in place with a little click. If you can see the red indicator on the upper side of the button, it is not locked completely.

CAUTION: Always install the battery cartridge fully until the red indicator cannot be seen. If not, it may accidentally fall out of the tool, causing injury to you or someone around you.

CAUTION: Do not install the battery cartridge forcibly. If the cartridge does not slide in easily, it is not being inserted correctly.

Indicating the remaining battery capacity

Only for battery cartridges with the indicator



▶ 1. Indicator lamps 2. Check button

Press the check button on the battery cartridge to indicate the remaining battery capacity. The indicator lamps light up for a few seconds.

| Indicator lamps | | | Remaining capacity |
|-----------------|-----|----------|-------------------------------------|
| Lighted | Off | Blinking | |
| ■ ■ ■ ■ | | | 75% to 100% |
| ■ ■ ■ □ | | | 50% to 75% |
| ■ ■ □ □ | | | 25% to 50% |
| ■ □ □ □ | | | 0% to 25% |
| ▣ □ □ □ | | | Charge the battery. |
| ■ ■ □ □ | | | The battery may have malfunctioned. |
| □ □ ■ ■ | | | |

NOTE: Depending on the conditions of use and the ambient temperature, the indication may differ slightly from the actual capacity.

Tool / battery protection system

The tool is equipped with a tool/battery protection system. This system automatically cuts off power to the motor to extend tool and battery life. The tool will automatically stop during operation if the tool or battery is placed under one of the following conditions:

Overload protection

When the battery is operated in a manner that causes it to draw an abnormally high current, the tool automatically stops without any indication. In this situation, turn the tool off and stop the application that caused the tool to become overloaded. Then turn the tool on to restart.

Overheat protection

When the tool or battery is overheated, the tool stops automatically. In this case, let the tool and battery cool before turning the tool on again.


NOTE: When the tool is overheated, the lamp blinks.

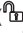

Overdischarge protection

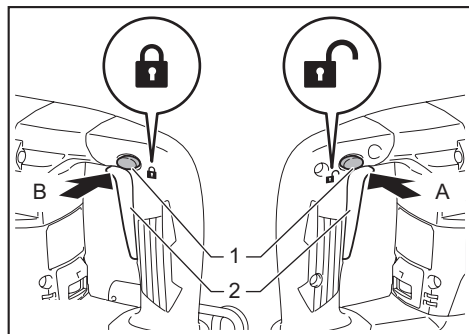
When the battery capacity is not enough, the tool stops automatically. In this case, remove the battery from the tool and charge the battery.

Switch action

⚠WARNING: Before installing the battery cartridge into the tool, always check to see that the switch trigger actuates properly and returns to the "OFF" position when released.



⚠CAUTION: When not operating the tool, depress the trigger-lock button from  side to lock the switch trigger in the OFF position.

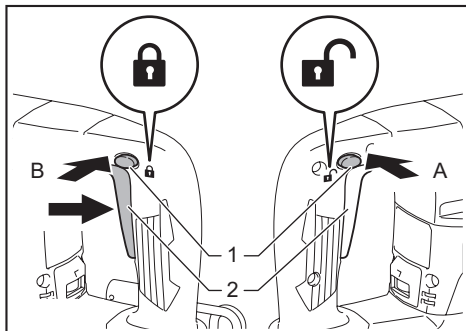
To prevent the switch trigger from accidentally pulled, the trigger-lock button is provided. To start the tool, depress the trigger-lock button from A () side and pull the switch trigger. Tool speed is increased by increasing pressure on the switch trigger. Release the switch trigger to stop. After use, depress the trigger-lock button from B () side.



▶ 1. Trigger-lock button 2. Switch trigger

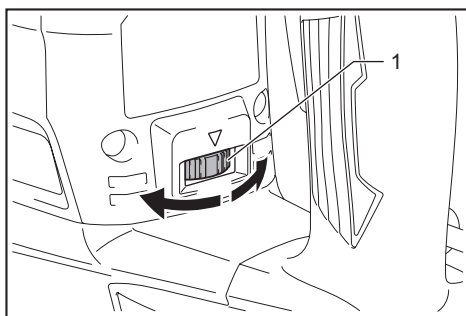
Using the trigger-lock button for continuous operation

For continuous operation, depress the trigger-lock button from B () side while pulling the switch trigger, and then release the switch trigger. To stop the tool, depress the trigger-lock button from A () side.



▶ 1. Trigger-lock button 2. Switch trigger

Speed adjusting dial



▶ 1. Speed adjusting dial

The blows per minute can be changed by turning the speed adjusting dial to a given number setting from 1 to 5. Higher speed is obtained when the dial is turned in the direction of number 5. And lower speed is obtained when it is turned in the direction of number 1.

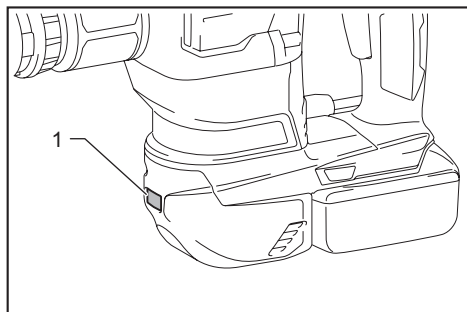
Refer to the table for the relationship between the number settings on the dial and the blows per minute.

| Number | Blows per minute |
|--------|------------------|
| 1 | 1,000/min |
| 2 | 1,300/min |
| 3 | 1,900/min |
| 4 | 2,700/min |
| 5 | 3,200/min |

⚠CAUTION: Do not turn the adjusting dial when the tool is running. Failure to do so may result in the loss of control of the tool and cause an injury.

NOTICE: The speed adjusting dial can be turned only as far as 5 and back to 1. Do not force it past 5 or 1, or the speed adjusting function may no longer work.

Lighting up the front lamp



► 1. Lamp

CAUTION: Do not look in the light or see the source of light directly.

Pull the switch trigger to light up the lamp. The lamp keeps on lighting while the switch trigger is being pulled. The lamp goes out approximately 10 seconds after releasing the switch trigger.

NOTE: Use a dry cloth to wipe the dirt off the lens of the lamp. Be careful not to scratch the lens of lamp, or it may lower the illumination.

Electronic function

The tool is equipped with the electronic functions for easy operation.

- Constant speed control
The speed control function provides the constant rotation speed regardless of load conditions.

ASSEMBLY

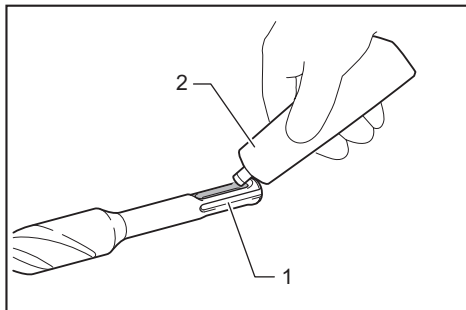
CAUTION: Always be sure that the tool is switched off and the battery cartridge is removed before carrying out any work on the tool.

Grease

Coat the shank end of the bit beforehand with a small amount of grease (about 0.5 - 1 g). This chuck lubrication assures smooth action and longer service life.

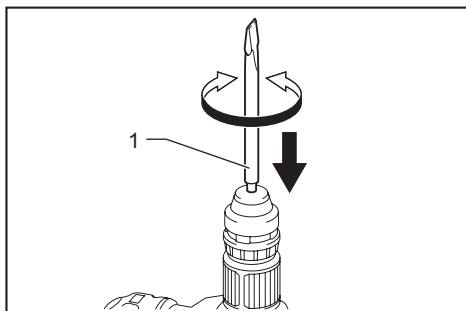
Installing or removing bit

Clean the shank end of the bit and apply grease before installing the bit.



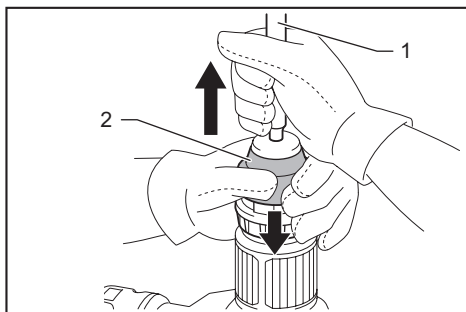
► 1. Shank end 2. Grease

Insert the bit into the tool. Turn the bit and push it in until it engages. After installing the bit, always make sure that the bit is securely held in place by trying to pull it out.



► 1. Bit

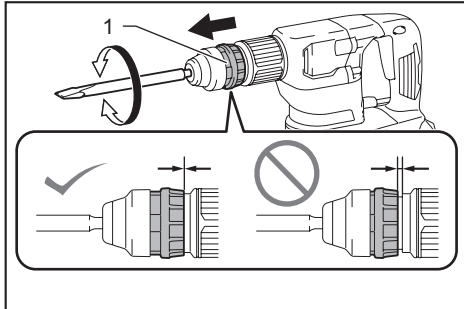
To remove the bit, pull the chuck cover down all the way and pull the bit out.



► 1. Bit 2. Chuck cover

Bit angle

The bit can be secured at 12 different angles. To change the bit angle, slide the change ring forward, then turn the change ring to change the bit angle. At the desired angle, slide the change ring back to the original position. The bit will be secured in place.



► 1. Change ring

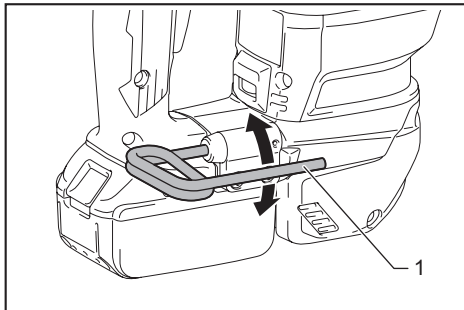
Hook

CAUTION: Always remove the battery when hanging the tool with the hook.

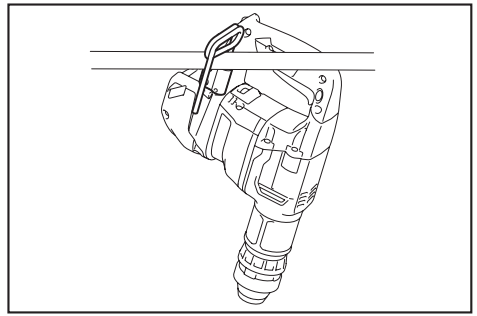
CAUTION: Never hook the tool at high location or on potentially unstable surface.

Using the hook

The hook is convenient for temporarily hanging the tool. To use the hook, simply lift up hook until it snaps into the open position. When not in use, always lower hook until it snaps into the closed position.

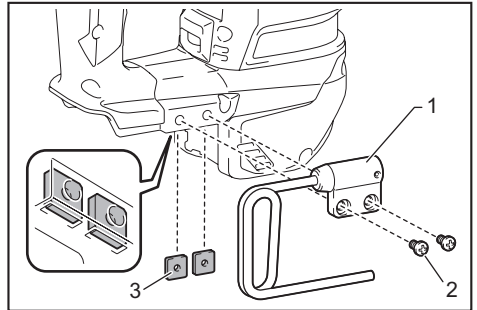


► 1. Hook



Removing or installing the hook

To remove the hook, loosen the screws and remove the washers and hook. To install the hook, insert the washers to the slits on the tool housing, and then secure the hook with 2 screws.



► 1. Hook 2. Screw 3. Washer

Connecting lanyard (tether strap) to the hook

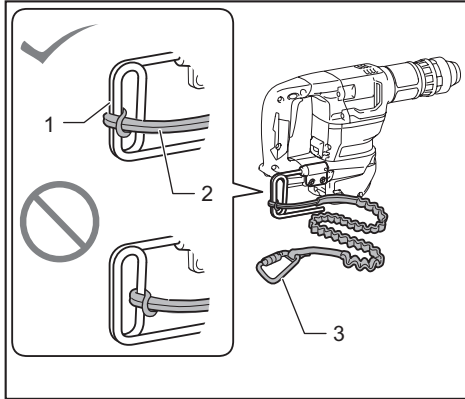
CAUTION: Do not use damaged hook and screws. Before use, always check for damages, cracks or deformations, and make sure that the screws are tightened.

CAUTION: Install or remove the hook on a stable table or surface. Be sure to use the screws provided with the hook only. After installing the hook, make sure that the hook is securely installed with the screws.

CAUTION: Do not remove the battery cartridge while hanging the tool. The tool may fall if the screws are not tightened.

CAUTION: Always use a locking carabiner (multi-action and screw gate type) and be sure to attach the lanyard (tether strap) to the double looped portion of the hook. Improper attachment may cause tool drop from the hook and result in personal injury.

The hook is also used for connecting the lanyard (tether strap). Be sure to connect the lanyard (tether strap) to the double looped portion of the hook.



- ▶ 1. Double looped portion of the hook 2. Lanyard (tether strap) 3. Locking carabiner (multi-action and screw gate type)

OPERATION

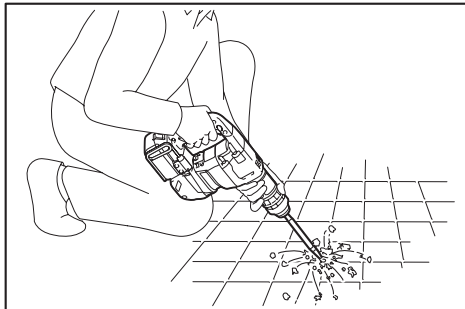
CAUTION: Always hold the tool firmly with both hands during operations.

CAUTION: Always make sure that the work-piece is secured before operation.

CAUTION: Do not pull the tool out forcibly even the bit gets stuck. Loss of control may cause injury.

NOTE: If the battery cartridge is in low temperature, the tool's capability may not be fully obtained. In this case, warm up the battery cartridge by using the tool with no load for a while to fully obtain the tool's capability.

Hold the tool firmly with both hands. Turn the tool on and apply slight pressure on the tool so that the tool will not bounce around, uncontrolled. Pressing very hard on the tool will not increase the efficiency.



Connecting lanyard (tether strap) to hook

SAFETY Safety warnings specific for use at height
Read all safety warnings and instructions. Failure to follow the warnings and instructions may result in serious injury.

- Always keep the tool tethered when working "at height". Maximum lanyard length is 2 m (6.5 ft).
The maximum permissible fall height for lanyard (tether strap) must not exceed 2 m (6.5 ft).
- Use only with lanyards appropriate for this tool type and rated for at least 4.0 kg (8.8 lbs).
- Do not anchor the tool lanyard to anything on your body or on movable components. Anchor the tool lanyard to a rigid structure that can withstand the forces of a dropped tool.
- Make sure the lanyard is properly secured at each end prior to use.
- Inspect the tool and lanyard before each use for damage and proper function (including fabric and stitching). Do not use if damaged or not functioning properly.
- Do not wrap lanyards around or allow them to come in contact with sharp or rough edges.
- Fasten the other end of the lanyard outside the working area so that a falling tool is held securely.
- Attach the lanyard so that the tool will move away from the operator if it falls. Dropped tools will swing on the lanyard, which could cause injury or loss of balance.
- Do not use near moving parts or running machinery. Failure to do so may result in a crush or entanglement hazard.
- Do not carry the tool by the attachment device or the lanyard.
- Only transfer the tool between your hands while you are properly balanced.
- Do not attach lanyards to the tool in a way that keeps switches or trigger-lock (if supplied) from operating properly.
- Avoid getting tangled in the lanyard.
- Keep lanyard away from the drilling or chiseling area of the tool.
- Use a locking carabiner (multi-action and screw gate type). Do not use single action spring clip carabiners.
- In the event the tool is dropped, it must be tagged and removed from service, and should be inspected by a Makita Factory or Authorized Service Center.

MAINTENANCE

⚠ CAUTION: Always be sure that the tool is switched off and the battery cartridge is removed before attempting to perform inspection or maintenance.

NOTICE: Never use gasoline, benzine, thinner, alcohol or the like. Discoloration, deformation or cracks may result.

To maintain product SAFETY and RELIABILITY, repairs, any other maintenance or adjustment should be performed by Makita Authorized or Factory Service Centers, always using Makita replacement parts.

OPTIONAL ACCESSORIES

⚠ CAUTION: These accessories or attachments are recommended for use with your Makita tool specified in this manual. The use of any other accessories or attachments might present a risk of injury to persons. Only use accessory or attachment for its stated purpose.

If you need any assistance for more details regarding these accessories, ask your local Makita Service Center.

- Bull point
- Cold chisel
- Scaling chisel
- Grooving chisel
- Bit grease
- Hook
- Makita genuine battery and charger
- Safety goggles
- Plastic carrying case

NOTE: Some items in the list may be included in the tool package as standard accessories. They may differ from country to country.

MAKITA LIMITED WARRANTY

Please refer to the annexed warranty sheet for the most current warranty terms applicable to this product. If annexed warranty sheet is not available, refer to the warranty details set forth at below website for your respective country.

United States of America: www.makitatools.com

Canada: www.makita.ca

Other countries: www.makita.com

ESPECIFICACIONES

| | |
|-------------------|-------------------------------------|
| Modelo: | XKH01 |
| Golpes por minuto | 0 gpm - 3 200 gpm |
| Longitud total | 368 mm (14-1/2") |
| Tensión nominal | 18 V c.c. |
| Peso neto | 3,3 kg - 3,6 kg (7,3 lbs - 7,9 lbs) |

- Debido a nuestro continuo programa de investigación y desarrollo, las especificaciones aquí incluidas están sujetas a cambio sin previo aviso.
- Las especificaciones pueden variar de país a país.
- El peso puede variar en función de los accesorios, incluido el cartucho de batería. En la tabla se muestra la combinación de peso más ligero y más pesado conforme al procedimiento 01/2014 de EPTA.

Cartucho de batería, adaptador para batería y cargador aplicables

| | |
|------------------------|--|
| Cartucho de batería | BL1815N / BL1820B / BL1830 / BL1830B / BL1840B / BL1850B / BL1860B |
| Adaptador para batería | PDC01 |
| Cargador | DC18RC / DC18RD / DC18RE / DC18SD / DC18SE / DC18SF |

- Algunos de los cartuchos de batería, adaptadores para batería y cargadores enumerados arriba podrían no estar disponibles dependiendo de su área de residencia.
- Antes de utilizar el adaptador para batería, lea las instrucciones e indicaciones de precaución sobre el adaptador para batería.

⚠ADVERTENCIA: Use únicamente los cartuchos de batería, adaptadores para batería y los cargadores indicados arriba. El uso de cualquier otro cartucho de batería, adaptador para batería y cargador podría ocasionar una lesión y/o un incendio.

ADVERTENCIAS DE SEGURIDAD

Advertencias generales de seguridad para herramientas eléctricas

⚠ADVERTENCIA: Lea todas las advertencias de seguridad, instrucciones, ilustraciones y especificaciones suministradas con esta herramienta eléctrica. El no seguir todas las instrucciones indicadas a continuación podría ocasionar una descarga eléctrica, incendio y/o lesiones graves.

Conserve todas las advertencias e instrucciones como referencia en el futuro.

En las advertencias, el término "herramienta eléctrica" se refiere a su herramienta eléctrica de funcionamiento con conexión a la red eléctrica (con cableado eléctrico) o herramienta eléctrica de funcionamiento a batería (inalámbrica).

Seguridad en el área de trabajo

1. Mantenga el área de trabajo limpia y bien iluminada. Las áreas oscuras o desordenadas son propensas a accidentes.

2. No utilice las herramientas eléctricas en atmósferas explosivas, tal como en la presencia de líquidos, gases o polvo inflamables. Las herramientas eléctricas crean chispas que pueden prender fuego al polvo o los humos.
3. Mantenga a los niños y curiosos alejados mientras utiliza una herramienta eléctrica. Las distracciones le pueden hacer perder el control.

Seguridad eléctrica

1. Las clavijas de conexión de las herramientas eléctricas deberán encajar perfectamente en la toma de corriente. No modifique nunca la clavija de conexión de ninguna forma. No utilice ninguna clavija adaptadora con herramientas eléctricas que tengan conexión a tierra (puesta a tierra). La utilización de clavijas no modificadas y que encajen perfectamente en la toma de corriente reducirá el riesgo de que se produzca una descarga eléctrica.
2. Evite tocar con el cuerpo superficies conectadas a tierra o puestas a tierra tales como tubos, radiadores, cocinas y refrigeradores. Si su cuerpo es puesto a tierra o conectado a tierra existirá un mayor riesgo de que sufra una descarga eléctrica.
3. No exponga las herramientas eléctricas a la lluvia ni a condiciones húmedas. La entrada de agua en una herramienta eléctrica aumentará el riesgo de que se produzca una descarga eléctrica.

4. **No maltrate el cable. Nunca utilice el cable para transportar, jalar o desconectar la herramienta eléctrica.** Mantenga el cable alejado del calor, aceite, objetos cortantes o piezas móviles. Los cables dañados o enredados aumentan el riesgo de sufrir una descarga eléctrica.
5. **Cuando utilice una herramienta eléctrica en exteriores, utilice un cable de extensión apropiado para uso en exteriores.** La utilización de un cable apropiado para uso en exteriores reducirá el riesgo de que se produzca una descarga eléctrica.
6. **Si no es posible evitar usar una herramienta eléctrica en condiciones húmedas, utilice un alimentador protegido con interruptor de circuito de falla a tierra (ICFT).** El uso de un ICFT reduce el riesgo de descarga eléctrica.
7. **Las herramientas eléctricas pueden producir campos electromagnéticos (CEM) que no son dañinos para el usuario.** Sin embargo, si los usuarios tienen marcapasos y otros dispositivos médicos similares, deberán consultar al fabricante de su dispositivo y/o a su médico antes de operar esta herramienta eléctrica.
7. **Si dispone de dispositivos para la conexión de equipos de extracción y recolección de polvo, asegúrese de conectarlos y utilizarlos debidamente.** Hacer uso de la recolección de polvo puede reducir los riesgos relacionados con el polvo.
8. **No permita que la familiaridad adquirida debido al uso frecuente de las herramientas haga que se sienta confiado e ignore los principios de seguridad de las herramientas.** Un descuido podría ocasionar una lesión grave en una fracción de segundo.
9. **Utilice siempre gafas protectoras para proteger sus ojos de lesiones al usar herramientas eléctricas.** Las gafas deben cumplir con la Norma ANSI Z87.1 en EUA. **Es responsabilidad del empleador imponer el uso de equipos protectores de seguridad apropiados a los operadores de la herramienta y demás personas cerca del área de trabajo.**

Mantenimiento y uso de la herramienta eléctrica

Seguridad personal

1. **Manténgase alerta, preste atención a lo que está haciendo y utilice su sentido común cuando opere una herramienta eléctrica. No utilice una herramienta eléctrica cuando esté cansado o bajo la influencia de drogas, alcohol o medicamentos.** Un momento de distracción mientras opera las herramientas eléctricas puede terminar en una lesión grave.
2. **Use equipo de protección personal. Póngase siempre protección para los ojos.** El equipo protector tal como máscara contra el polvo, zapatos de seguridad antiderrapantes, casco rígido y protección para oídos utilizado en las condiciones apropiadas reducirá el riesgo de lesiones.
3. **Impida el encendido accidental. Asegúrese de que el interruptor esté en la posición de apagado antes de conectar a la alimentación eléctrica y/o de colocar el cartucho de batería, así como al levantar o cargar la herramienta.** Cargar las herramientas eléctricas con su dedo en el interruptor o enchufarlas con el interruptor encendido hace que los accidentes sean comunes.
4. **Retire cualquier llave de ajuste o llave de apriete antes de encender la herramienta.** Una llave de ajuste o llave de apriete que haya sido dejada puesta en una parte giratoria de la herramienta eléctrica puede ocasionar alguna lesión.
5. **No utilice la herramienta donde no alcance. Mantenga los pies sobre suelo firme y el equilibrio en todo momento.** Esto permite un mejor control de la herramienta eléctrica en situaciones inesperadas.
6. **Use una vestimenta apropiada. No use ropa suelta ni alhajas. Mantenga el cabello, la ropa y los guantes alejados de las piezas móviles.** Las prendas de vestir holgadas, las alhajas y el cabello largo suelto podrían engancharse en estas piezas móviles.
1. **No fuerce la herramienta eléctrica. Utilice la herramienta eléctrica correcta para su aplicación.** La herramienta eléctrica adecuada hará un mejor trabajo y de forma más segura a la velocidad para la que ha sido fabricada.
2. **No utilice la herramienta eléctrica si el interruptor no la enciende y apaga.** Cualquier herramienta eléctrica que no pueda ser controlada con el interruptor es peligrosa y debe ser reemplazada.
3. **Desconecte la clavija de la fuente de alimentación y/o retire la batería de la herramienta eléctrica, en caso de ser removible, antes de realizar ajustes, cambiar accesorios o almacenar las herramientas eléctricas.** Tales medidas de seguridad preventivas reducirán el riesgo de poner en marcha la herramienta eléctrica de forma accidental.
4. **Guarde la herramienta eléctrica que no use fuera del alcance de los niños y no permita que las personas que no están familiarizadas con ella o con las instrucciones la operen.** Las herramientas eléctricas son peligrosas en manos de personas que no saben operarlas.
5. **Dé mantenimiento a las herramientas eléctricas y los accesorios. Compruebe que no haya piezas móviles desalineadas o estancadas, piezas rotas y cualquier otra condición que pueda afectar al funcionamiento de la herramienta eléctrica.** Si la herramienta eléctrica está dañada, haga que la reparen antes de utilizarla. Muchos de los accidentes son ocasionados por no dar un mantenimiento adecuado a las herramientas eléctricas.
6. **Mantenga las herramientas de corte limpias y filosas.** Si recibe un mantenimiento adecuado y tiene los bordes afilados, es probable que la herramienta se atasque menos y sea más fácil controlarla.
7. **Utilice la herramienta eléctrica, los accesorios y las brocas de acuerdo con estas instrucciones, considerando las condiciones laborales y el trabajo a realizar.** Si utiliza la herramienta eléctrica para realizar operaciones distintas de las indicadas, podrá presentarse una situación peligrosa.

Advertencias de seguridad para el raspador inalámbrico

8. **Mantenga los mangos y superficies de asimiento secos, limpios y libres de aceite o grasa.** Los mangos y superficies de asimiento resbalosos no permiten una manipulación segura ni el control de la herramienta en situaciones inesperadas.
9. **Cuando vaya a utilizar esta herramienta, evite usar guantes de trabajo de tela ya que éstos podrían atorarse.** Si los guantes de trabajo de tela llegan a atorarse en las piezas móviles, esto podría ocasionar lesiones personales.

Uso y cuidado de la herramienta a batería

1. **Recargue sólo con el cargador especificado por el fabricante.** Un cargador que es adecuado para un solo tipo de batería puede generar riesgo de incendio al ser utilizado con otra batería.
2. **Utilice las herramientas eléctricas solamente con las baterías designadas específicamente para ellas.** La utilización de cualquier otra batería puede crear un riesgo de lesiones o incendio.
3. **Cuando no se esté usando la batería, manténgala alejada de otros objetos metálicos, como sujetapapeles (clips), monedas, llaves, clavos, tornillos u otros objetos pequeños de metal los cuales pueden actuar creando una conexión entre las terminales de la batería.** Originar un cortocircuito en las terminales puede causar quemaduras o incendios.
4. **En condiciones abusivas, podrá escapar líquido de la batería; evite tocarlo. Si lo toca accidentalmente, enjuague con agua. Si hay contacto del líquido con los ojos, busque asistencia médica.** Puede que el líquido expulsado de la batería cause irritación o quemaduras.
5. **No utilice una herramienta ni una batería que estén dañadas o hayan sido modificadas.** Las baterías dañadas o modificadas podrían ocasionar una situación inesperada provocando un incendio, explosión o riesgo de lesiones.
6. **No exponga la herramienta ni la batería al fuego ni a una temperatura excesiva.** La exposición al fuego o a una temperatura superior a los 130 °C podría causar una explosión.
7. **Siga todas las instrucciones para la carga y evite cargar la herramienta o la batería fuera del rango de temperatura especificado en las instrucciones.** Una carga inadecuada o a una temperatura fuera del rango especificado podría dañar la batería e incrementar el riesgo de incendio.

Servicio

1. **Haga que una persona calificada repare la herramienta eléctrica utilizando sólo piezas de repuesto idénticas.** Esto asegura que se mantenga la seguridad de la herramienta eléctrica.
2. **Nunca dé servicio a baterías que estén dañadas.** El servicio a las baterías solamente deberá ser efectuado por el fabricante o un agente de servicio autorizado.
3. **Siga las instrucciones para la lubricación y cambio de accesorios.**
4. **No modifique ni intente reparar el aparato ni el paquete de baterías salvo como se indique en las instrucciones para el uso y cuidado.**

1. **Utilice protectores de oídos.** La exposición al ruido puede provocar pérdida auditiva.
2. **Utilice los mango(s) auxiliare(s) que se suministren con la herramienta.** La pérdida de control puede ocasionar lesiones.
3. **Sujete la herramienta eléctrica por las superficies de asimiento aisladas al realizar una operación en la que el accesorio de corte pueda entrar en contacto con cableado oculto.** Si el accesorio de corte entra en contacto con un cable con corriente, las piezas metálicas expuestas de la herramienta eléctrica se cargarán también de corriente y el operador podría recibir una descarga eléctrica.
4. **Utilice un casco protector (casco de seguridad), gafas de seguridad y/o careta de protección. Los anteojos comunes o de sol NO son gafas de seguridad. También es muy recomendable que utilice una máscara contra polvo y guantes bien acolchados.**
5. **Asegúrese de que la punta se encuentre asegurada en su lugar antes de la operación.**
6. **En condiciones normales de operación, la herramienta está diseñada para producir vibración. Los tornillos pueden aflojarse fácilmente y causar una falla o accidente. Verifique cuidadosamente que los tornillos estén apretados antes de la operación.**
7. **En clima frío o cuando la herramienta no se haya utilizado durante un tiempo prolongado, permita que la herramienta se caliente un rato haciéndola funcionar sin carga. Esto facilitará la lubricación. Sin un calentamiento apropiado, la operación de percusión resultará difícil.**
8. **Asegúrese siempre de que pisa sobre suelo firme. Asegúrese de que no haya nadie debajo cuando utilice la herramienta en lugares altos.**
9. **Sujete la herramienta firmemente con ambas manos.**
10. **Mantenga las manos alejadas de las piezas móviles.**
11. **No deje la herramienta funcionando. Tenga en marcha la herramienta solamente cuando la esté sosteniendo con la mano.**
12. **Durante la operación, no apunte con la herramienta a ninguna persona en el área. La punta podría salir volando y causarle una lesión grave a alguien.**
13. **No toque la punta, las partes cerca de la punta o la pieza de trabajo inmediatamente después de la operación; éstas podrían estar extremadamente calientes y provocar quemaduras en la piel.**
14. **Algunos materiales contienen sustancias químicas que pueden ser tóxicas. Evite inhalar polvo y que éste entre en contacto con la piel. Consulte la hoja de seguridad de materiales del proveedor.**
15. **Asegúrese siempre de que la herramienta esté apagada y de que el cartucho de batería y la punta hayan sido extraídos antes de pasarle la herramienta a otra persona.**




- No opere la herramienta al vacío innecesariamente.

GUARDE ESTAS INSTRUCCIONES.

⚠️ ADVERTENCIA: NO DEJE que la comodidad o familiaridad con el producto (a base de utilizarlo repetidamente) evite que siga estrictamente las normas de seguridad para dicho producto. El USO INCORRECTO o el no seguir las normas de seguridad indicadas en este manual de instrucciones puede ocasionar lesiones graves.

Símbolos

A continuación se muestran los símbolos utilizados para la herramienta.

| | |
|--|---|
|  | volts o voltios |
|  | corriente directa o continua |
| ... /min r /min | revoluciones o alternaciones por minuto, frecuencia de rotación |
|  | número de percusiones |

Instrucciones importantes de seguridad para el cartucho de batería

- Antes de utilizar el cartucho de batería, lea todas las instrucciones e indicaciones de precaución en el (1) el cargador de batería, (2) la batería, y (3) el producto con el que se utiliza la batería.
- No desarme el cartucho de batería.
- Si el tiempo de operación se ha acordado en exceso, deje de operar de inmediato. Podría correrse el riesgo de sobrecalentamiento, posibles quemaduras e incluso explosión.
- En caso de que ingresen electrolitos en sus ojos, enjuáguelos bien con agua limpia y consulte de inmediato a un médico. Esto podría ocasionar pérdida de visión.
- Evite cortocircuitar el cartucho de batería:
 - No toque las terminales con ningún material conductor.
 - Evite guardar el cartucho de batería en un cajón junto con otros objetos metálicos, tales como clavos, monedas, etc.
 - No exponga el cartucho de batería al agua o la lluvia.

Un cortocircuito en la batería puede causar un flujo grande de corriente, sobrecalentamiento, posibles quemaduras e incluso una descompostura.
- No guarde la herramienta ni el cartucho de batería en lugares donde la temperatura pueda alcanzar o exceder los 50°C (122°F).

- Nunca incinere el cartucho de batería incluso en el caso de que esté dañado seriamente o ya no sirva en absoluto. El cartucho de batería puede explotar si se tira al fuego.
- Tenga cuidado de no dejar caer ni golpear la batería.
- No use una batería dañada.
- Las baterías de ión de litio están sujetas a los requisitos reglamentarios en materia de bienes peligrosos.

Para el transporte comercial, por ej., mediante terceros o agentes de transporte, se deben tomar en cuenta los requisitos especiales relativos al empaque y el etiquetado.

Para efectuar los preparativos del artículo que se va a enviar, se requiere consultar a un experto en materiales peligrosos. Si es posible, consulte además otras regulaciones nacionales más detalladas.

Pegue o cubra con cinta adhesiva los contactos abiertos y empaque la batería de manera que ésta no pueda moverse dentro del paquete.
- Para deshacerse del cartucho de batería, sáquelo de la herramienta y deséchelo en un lugar seguro. Siga las regulaciones locales relacionadas al desecho de las baterías.
- Utilice las baterías únicamente con los productos especificados por Makita. Instalar las baterías en productos que no cumplan con los requisitos podría ocasionar un incendio, un calentamiento excesivo, una explosión o una fuga de electrolito.
- Si no se utiliza la herramienta por un período largo, debe extraerse la batería de la herramienta.

GUARDE ESTAS INSTRUCCIONES.

⚠️ PRECAUCIÓN: Utilice únicamente baterías originales de Makita. El uso de baterías no originales de Makita, o de baterías alteradas, puede ocasionar que las baterías exploten causando un incendio, lesiones personales y daños. Asimismo, esto invalidará la garantía de Makita para la herramienta y el cargador Makita.

Consejos para alargar al máximo la vida útil de la batería

- Cargue el cartucho de batería antes de que se descargue completamente. Pare siempre la operación y cargue el cartucho de batería cuando note menos potencia en la herramienta.
- No cargue nunca un cartucho de batería que esté completamente cargado. La sobrecarga acortará la vida de servicio de la batería.
- Cargue el cartucho de batería a una temperatura ambiente de 10 °C - 40 °C (50 °F - 104 °F). Si un cartucho de batería está caliente, déjelo enfriar antes de cargarlo.
- Cargue el cartucho de batería si no va a utilizarlo durante un período prolongado (más de seis meses).

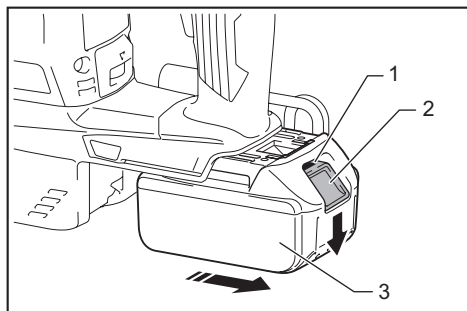
DESCRIPCIÓN DEL FUNCIONAMIENTO

⚠️ PRECAUCIÓN: Asegúrese siempre de que la herramienta esté apagada y el cartucho de batería haya sido extraído antes de realizar cualquier ajuste o comprobación en la herramienta.

Instalación o extracción del cartucho de batería

⚠️ PRECAUCIÓN: Apague siempre la herramienta antes de colocar o quitar el cartucho de batería.

⚠️ PRECAUCIÓN: Sujete la herramienta y el cartucho de la batería con firmeza al colocar o quitar el cartucho de batería. Si no se sujeta con firmeza la herramienta y el cartucho de batería, puede ocasionar que se resbalen de sus manos causando daños a la herramienta y al cartucho de batería, así como lesiones a la persona.



► 1. Indicador rojo 2. Botón 3. Cartucho de batería

Para quitar el cartucho de batería, deslícelo de la herramienta mientras desliza el botón sobre la parte delantera del cartucho.

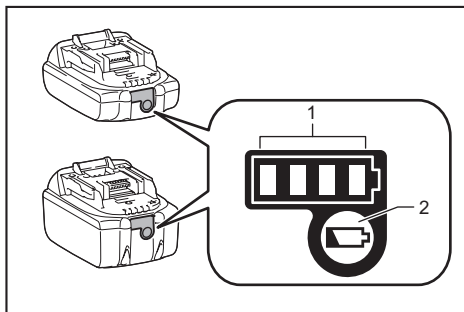
Para colocar el cartucho de batería, alinee la lengüeta sobre el cartucho de batería con la ranura en la carcasa y deslice en su lugar. Inserte por completo hasta que se fije en su lugar con un pequeño clic. Si puede ver el indicador rojo del lado superior del botón, esto indica que no ha quedado fijo por completo.

⚠️ PRECAUCIÓN: Introduzca siempre completamente el cartucho de batería hasta que el indicador rojo no pueda verse. Si no, podría accidentalmente salirse de la herramienta y caer al suelo causando una lesión a usted o alguien a su alrededor.

⚠️ PRECAUCIÓN: No instale el cartucho de batería a la fuerza. Si el cartucho no se desliza al interior fácilmente, se debe a que no está siendo insertado correctamente.

Indicación de la capacidad restante de la batería

Únicamente para cartuchos de batería con el indicador



► 1. Luces indicadoras 2. Botón de verificación

Oprima el botón de verificación en el cartucho de la batería para que indique la capacidad restante de la batería. Las luces indicadoras se iluminarán por algunos segundos.

| Luces indicadoras | | | Capacidad restante |
|-------------------|----------|-------------|---------------------------------------|
| Iluminadas | Apagadas | Parpadeando | |
| ■ ■ ■ ■ | | | 75% a 100% |
| ■ ■ ■ □ | | | 50% a 75% |
| ■ ■ □ □ | | | 25% a 50% |
| ■ □ □ □ | | | 0% a 25% |
| ▬ □ □ □ | | | Cargar la batería. |
| ■ ■ □ □ | | | La batería pudo haber funcionado mal. |
| □ □ ■ ■ | | | |

NOTA: Dependiendo de las condiciones de uso y la temperatura ambiente, la indicación podrá diferir ligeramente de la capacidad real.

Sistema de protección para la herramienta/batería

La herramienta está equipada con un sistema de protección de la herramienta/batería. Este sistema corta en forma automática el suministro de energía al motor para prolongar la vida útil de la herramienta y la batería. La herramienta se detendrá automáticamente durante la operación si la herramienta o la batería se someten a una de las siguientes condiciones:

Protección contra sobrecarga

Cuando la batería se esté utilizando de una manera que cause que consuma una cantidad de corriente anormalmente alta, la herramienta se detendrá automáticamente sin indicación alguna. En este caso, apague la herramienta y detenga la aplicación que causó que la herramienta se sobrecargara. Luego encienda la herramienta para reiniciarla.

Protección contra sobrecalentamiento

Cuando la herramienta o la batería se sobrecalienten, la herramienta se detendrá automáticamente. En este caso, permita que la herramienta y la batería se enfríen antes de volver a encender la herramienta.

NOTA: Cuando la herramienta se sobrecaliente, la lámpara parpadeará.

Protección en caso de sobredescarga

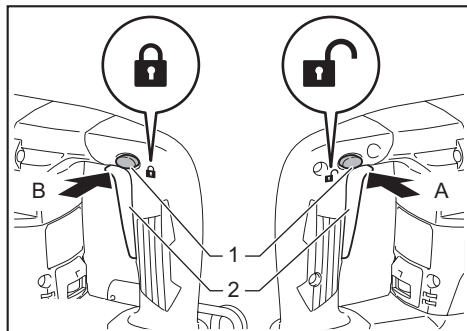
Cuando la capacidad de la batería no es suficiente, la herramienta se detiene automáticamente. En este caso, retire la batería de la herramienta y cárguela.

Accionamiento del interruptor

⚠ADVERTENCIA: Antes de insertar el cartucho de batería en la herramienta, compruebe siempre y cerciórese de que el gatillo interruptor se acciona debidamente y que vuelve a la posición "OFF" (apagado) cuando lo suelta.

⚠PRECAUCIÓN: Cuando no vaya a utilizar la herramienta, oprima el botón de bloqueo del gatillo del lado A (A) para bloquear el gatillo interruptor en la posición de apagado.

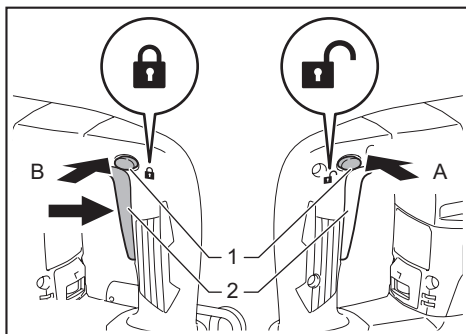
El botón de bloqueo del gatillo es proporcionado para evitar que el gatillo interruptor sea jalado accidentalmente. Para arrancar la herramienta, oprima el botón de bloqueo del gatillo del lado A (A) y jale el gatillo interruptor. La velocidad de la herramienta aumenta al incrementar la presión en el gatillo interruptor. Para detenerla, suelte el gatillo interruptor. Cuando termine de usarla, oprima el botón de bloqueo del gatillo del lado B (B).



▶ 1. Botón de bloqueo del gatillo 2. Gatillo interruptor

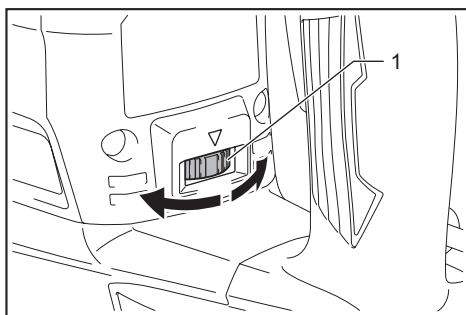
Uso del botón de bloqueo del gatillo para una operación continua

Para una operación continua, oprima el botón de bloqueo del gatillo del lado B (B) mientras jala del gatillo interruptor y luego suelte el gatillo interruptor. Para detener la herramienta, presione el botón de bloqueo del gatillo desde el lado A (A).



▶ 1. Botón de bloqueo del gatillo 2. Gatillo interruptor

Dial de ajuste de velocidad



▶ 1. Dial de ajuste de velocidad

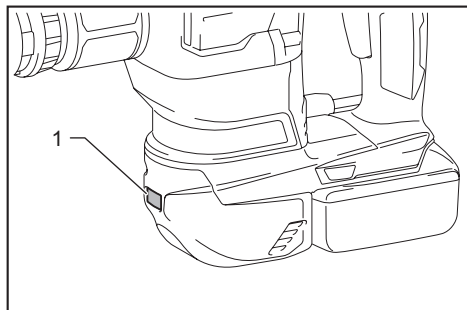
Los golpes por minuto pueden cambiarse girando el dial de ajuste de velocidad hasta la configuración de un número dado de 1 a 5. Se logra una mayor velocidad cuando el dial se gira hacia el número 5. Y se logra una menor velocidad cuando se gira hacia el número 1. Consulte la tabla para ver la relación entre las configuraciones de los números en el dial y los golpes por minuto.

| Número | Golpes por minuto |
|--------|-------------------|
| 1 | 1 000 gpm |
| 2 | 1 300 gpm |
| 3 | 1 900 gpm |
| 4 | 2 700 gpm |
| 5 | 3 200 gpm |

⚠PRECAUCIÓN: No gire el selector de ajuste cuando la herramienta esté funcionando. De lo contrario, podría resultar en la pérdida de control de la herramienta y ocasionar una lesión.

AVISO: El dial de ajuste de velocidad sólo se puede girar hasta 5 y nuevamente hasta 1. No lo fuerce más allá de 5 o 1 o la función de ajuste de velocidad podrá dejar de funcionar.

Iluminación de la luz delantera



► 1. Luz

PRECAUCIÓN: No mire a la luz ni vea a la fuente de luz directamente.

Jale el gatillo interruptor para encender la luz. La luz continúa iluminándose mientras se está jalando el gatillo interruptor. La luz se apaga aproximadamente 10 segundos tras haber liberado el gatillo interruptor.

NOTA: Utilice un paño seco para quitar la suciedad de la lente de la lámpara. Tenga cuidado de no rayar la lente de la lámpara ya que la iluminación podría disminuir.

Funcionamiento electrónico

La herramienta está equipada con funciones electrónicas para facilitar la operación.

- Control de velocidad constante
La función de control de velocidad permite una rotación constante independientemente de las condiciones de carga.

MONTAJE

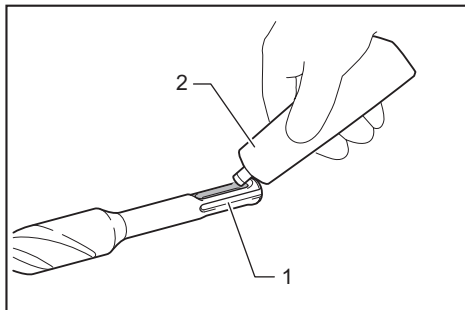
PRECAUCIÓN: Asegúrese siempre de que la herramienta esté apagada y el cartucho de batería haya sido extraído antes de realizar cualquier trabajo en la misma.

Grasa

Aplice previamente una pequeña cantidad de grasa (alrededor de 0,5 g - 1 g) en el extremo de la espiga de la punta. La lubricación del portabrocas asegura un accionamiento suave y una vida útil más larga.

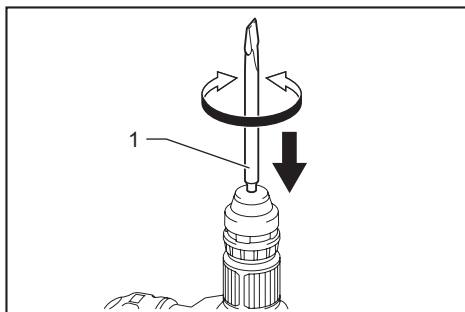
Instalación o extracción de la punta

Limpie el extremo de la espiga de la punta y aplique grasa antes de instalar la punta.



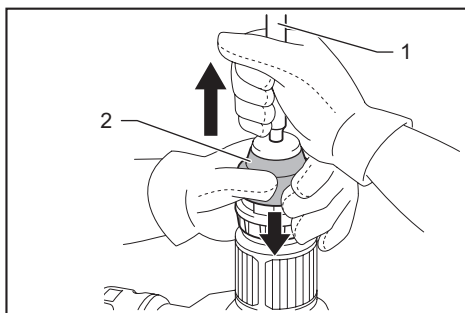
► 1. Extremo de la espiga 2. Grasa

Inserte la punta en la herramienta. Gire la punta y empújela hacia adentro hasta que quede enganchada. Después de instalar la punta, asegúrese siempre de que la punta quede asegurada en su lugar intentando jalarla hacia afuera.



► 1. Punta

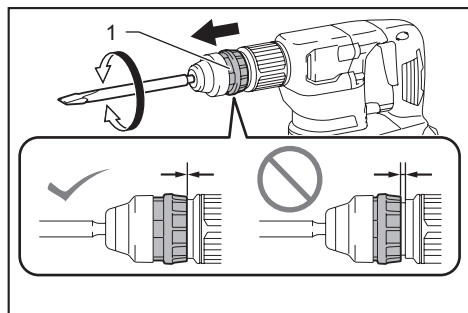
Para extraer la punta, jale hasta abajo la cubierta del portabrocas y jale la punta hacia afuera.



► 1. Punta 2. Cubierta del portabrocas

Ángulo de la punta

La punta puede fijarse en doce ángulos deseados. Para cambiar el ángulo de la punta, deslice el anillo de cambio hacia adelante, luego gire el anillo de cambio para cambiar el ángulo de la punta. En el ángulo deseado, deslice el anillo de cambio de vuelta a la posición original. La punta se fijará en su sitio.



► 1. Anillo de cambio

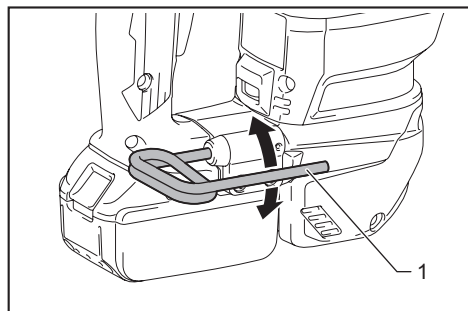
Gancho

⚠PRECAUCIÓN: Extraiga siempre la batería cuando vaya a colgar la herramienta con el gancho.

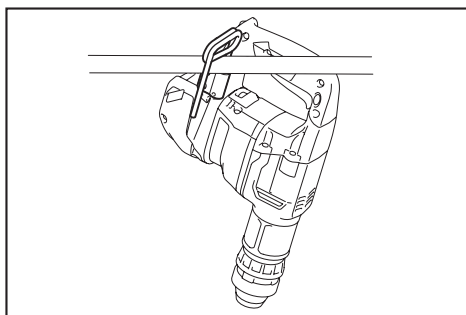
⚠PRECAUCIÓN: Nunca enganche la herramienta en un lugar elevado o en una superficie potencialmente inestable.

Uso del gancho

El gancho resulta útil para colgar temporalmente la herramienta. Cuando vaya a utilizar el gancho, simplemente levántelo hasta que quede trabado en la posición abierta. Cuando no lo vaya a utilizar, siempre baje el gancho hasta que quede trabado en la posición cerrada.

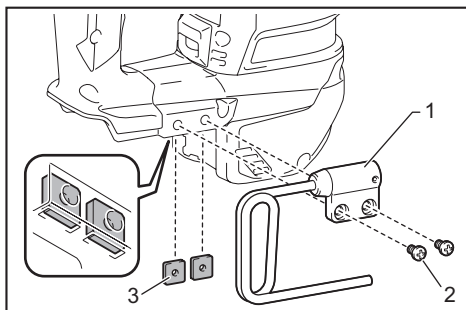


► 1. Gancho



Extracción o instalación del gancho

Para extraer el gancho, afloje los tornillos y extraiga las arandelas y el gancho. Para instalar el gancho, inserte las arandelas a las hendiduras en la carcasa de la herramienta y luego asegure el gancho con dos tornillos.



► 1. Gancho 2. Tornillo 3. Arandela

Conexión del cordel de seguridad (correa de amarre) al gancho

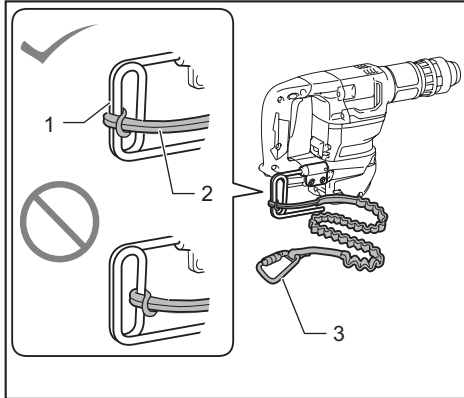
⚠PRECAUCIÓN: No utilice un gancho y tornillos que ya estén dañados. Antes de usarlos, verifique la existencia de daños, roturas o deformaciones y asegúrese de que los tornillos estén apretados.

⚠PRECAUCIÓN: Instale o extraiga el gancho sobre una mesa o superficie estables. Asegúrese de usar los tornillos proporcionados con el gancho solamente. Después de instalar el gancho, asegúrese de que este quede bien asegurado con los tornillos.

⚠PRECAUCIÓN: No extraiga el cartucho de la batería mientras cuelga la herramienta. La herramienta podría caer si los tornillos no están apretados.

⚠PRECAUCIÓN: Utilice siempre una carabina de bloqueo (de tipo multiacción y de seguro de rosca) y asegúrese de sujetar el cordel de seguridad (correa de amarre) a la parte de doble bucle del gancho. Una sujeción inapropiada ocasionaría que la herramienta se cayera del gancho y resultar en lesiones personales.

El gancho también se utiliza para conectar el cordel de seguridad (correa de amarre). Asegúrese de conectar el cordel de seguridad (correa de amarre) a la parte de doble bucle del gancho.



- 1. Parte de doble bucle del gancho 2. Cordel de seguridad (correa de amarre) 3. Carabina de bloqueo (de tipo multiacción y de seguro de rosca)

OPERACIÓN

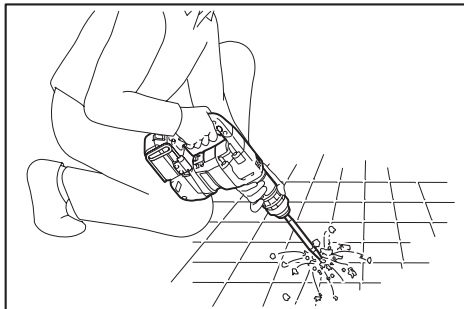
⚠PRECAUCIÓN: Sostenga siempre firmemente la herramienta con ambas manos durante las operaciones.

⚠PRECAUCIÓN: Asegúrese siempre de que la pieza de trabajo quede asegurada antes de la operación.

⚠PRECAUCIÓN: No jale hacia afuera la herramienta con demasiada fuerza aun si la punta se atora. La pérdida de control podría causar lesiones.

NOTA: Si el cartucho de batería se encuentra a baja temperatura, la herramienta podría no alcanzar su máxima capacidad. En este caso, caliente el cartucho de batería usando la herramienta sin carga durante un rato a fin de lograr que la herramienta alcance su máxima capacidad.

Sujete la herramienta firmemente con ambas manos. Encienda la herramienta y aplique una ligera presión sobre ella de manera que no rebote de forma descontrolada. Aplicar mucha presión sobre la herramienta no incrementará la eficiencia.



Conexión del cordel de seguridad (correa de amarre) al gancho

⚠Advertencias de seguridad específicas para uso en alturas

Lea todas las advertencias de seguridad e instrucciones. El no seguir las advertencias e instrucciones podría ocasionar lesiones graves.

- Mantenga siempre la herramienta atada cuando trabaje "en alturas". La longitud máxima del cordel de seguridad es de 2 m (6,5 ft). La altura de caída máxima permisible para el cordel de seguridad (correa de amarre) no deberá superar los 2 m (6,5 ft).
- Use únicamente con cordeles apropiados para este tipo de herramienta y clasificados para al menos 4,0 kg (8,8 lbs).
- No ancle el cordel de la herramienta a nada en su cuerpo o a componentes móviles. Ancle el cordel de la herramienta a una estructura rígida que pueda soportar las fuerzas de una herramienta en caída.
- Asegúrese de que el cordel esté debidamente asegurado de cada extremo previo al uso.
- Inspeccione la herramienta y el cordel antes de cada uso para ver que no tengan daños y que funcionen correctamente (incluyendo la tela y las puntadas). No los utilice si presentan daños o no funcionan correctamente.
- No envuelva cordeles alrededor de bordes filosos o ásperos ni permita que estos entren en contacto con ellos.
- Asegure el otro extremo del cordel fuera del área de trabajo de manera que la herramienta en caída esté firmemente sujeta.
- Fije el cordel de forma que la herramienta se mueva lejos del operador en caso de que esta se caiga. Las herramientas en caída se balancean en el cordel, lo que puede ocasionar lesiones o la pérdida del equilibrio.
- No la utilice cerca de piezas móviles o maquinaria funcionando. El hacerlo podría ocasionar riesgo de choque o enredo.
- No transporte la herramienta sujetándola del dispositivo de atadura o el cordel.
- Cargue la herramienta únicamente entre sus manos mientras mantenga bien el equilibrio.
- No sujete cordeles de seguridad a la herramienta de manera que evite que los interruptores o el bloqueo para el gatillo (de ser suministrado) funcionen correctamente.
- Evite enredarse en el cordel.
- Mantenga el cordel de seguridad alejado del área de perforación o de cincelado de la herramienta.
- Use una carabina de bloqueo (de tipo multiacción y de seguro de rosca). No use carabinas de tipo acción única con gancho de resorte.
- En caso de que la herramienta llegue a caerse, esta debe etiquetarse, sacarse de servicio y ser inspeccionada por una fábrica o centro de servicio autorizado Makita.

MANTENIMIENTO

⚠PRECAUCIÓN: Asegúrese siempre de que la herramienta esté apagada y el cartucho de batería extraído antes de intentar realizar una inspección o mantenimiento.

AVISO: Nunca use gasolina, bencina, diluyente (tíner), alcohol o sustancias similares. Puede que esto ocasione grietas o descoloramiento.

Para mantener la SEGURIDAD y FIABILIDAD del producto, las reparaciones, y cualquier otra tarea de mantenimiento o ajuste deberán ser realizadas en centros de servicio autorizados o de fábrica Makita, empleando siempre repuestos Makita.

ACCESORIOS OPCIONALES

⚠PRECAUCIÓN: Estos accesorios o aditamentos están recomendados para utilizarse con su herramienta Makita especificada en este manual.

El empleo de cualquier otro accesorio o aditamento puede conllevar el riesgo de lesiones personales. Utilice los accesorios o aditamentos solamente para su fin establecido.

Si necesita cualquier ayuda para más detalles en relación con estos accesorios, pregunte a su centro de servicio local Makita.

- Cíncel de punta
- Cíncel plano
- Cíncel de desincrustación
- Cíncel de ranurado
- Grasa para puntas
- Gancho
- Batería y cargador originales de Makita
- Gafas de seguridad
- Maletín de transporte de plástico

NOTA: Algunos de los artículos en la lista pueden incluirse en el paquete de la herramienta como accesorios estándar. Éstos pueden variar de país a país.

GARANTÍA LIMITADA DE MAKITA

Ésta Garantía no aplica para México

Consulte la hoja de la garantía anexa para ver los términos más vigentes de la garantía aplicable a este producto. En caso de no disponer de esta hoja de garantía anexa, consulte los detalles sobre la garantía descritos en el sitio web de su país respectivo indicado a continuación.

Estados Unidos de América: www.makitatools.com

Canadá: www.makita.ca

Otros países: www.makita.com

< USA only >

WARNING

Some dust created by power sanding, sawing, grinding, drilling, and other construction activities contains chemicals known to the State of California to cause cancer, birth defects or other reproductive harm. Some examples of these chemicals are:

- lead from lead-based paints,
- crystalline silica from bricks and cement and other masonry products, and
- arsenic and chromium from chemically-treated lumber.

Your risk from these exposures varies, depending on how often you do this type of work. To reduce your exposure to these chemicals: work in a well ventilated area, and work with approved safety equipment, such as those dust masks that are specially designed to filter out microscopic particles.

< Sólo en los Estados Unidos >

ADVERTENCIA

Algunos polvos creados por el lijado, aserrado, esmerilado, taladrado y otras actividades de la construcción contienen sustancias químicas reconocidas por el Estado de California como causantes de cáncer, defectos de nacimiento y otros peligros de reproducción. Algunos ejemplos de estos productos químicos son:

- plomo de pinturas a base de plomo,
- sílice cristalino de ladrillos y cemento y otros productos de albañilería, y
- arsénico y cromo de maderas tratadas químicamente.

El riesgo al que se expone varía, dependiendo de la frecuencia con la que realice este tipo de trabajo. Para reducir la exposición a estos productos químicos: trabaje en un área bien ventilada y póngase el equipo de seguridad indicado, tal como las máscaras contra polvo que están especialmente diseñadas para filtrar partículas microscópicas.

Makita Corporation

3-11-8, Sumiyoshi-cho,
Anjo, Aichi 446-8502 Japan

www.makita.com

885744-948
XKH01-1
EN, ESMX
20190827