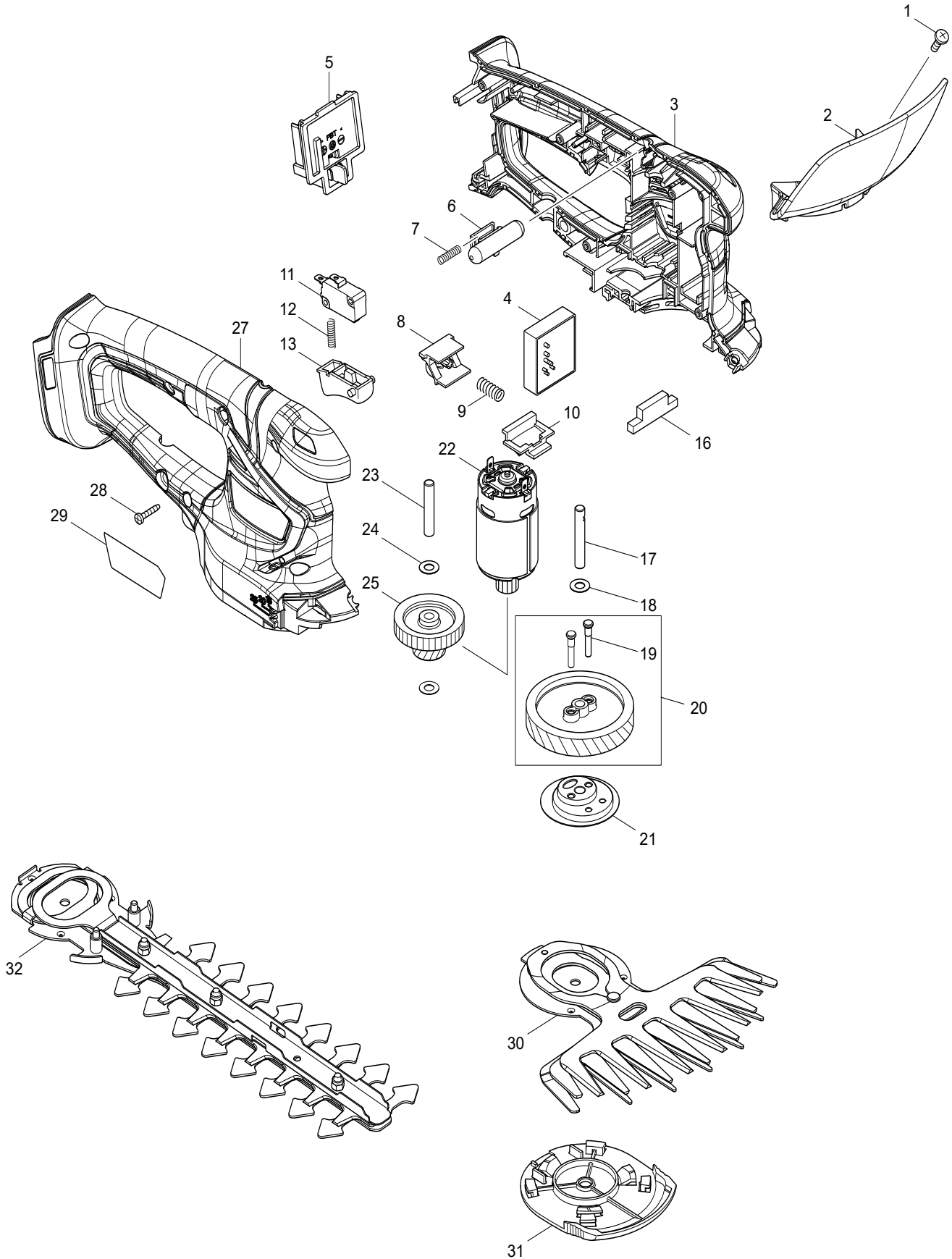




XMU04Z
XMU04ZX



Products with multiple versions are listed in subsiding order with the newest version on top not indented.

Section	Fig. No.	Part No.	Description	XMU04Z	XMU04ZX	Tech Bulletin	Notes
1	1	915116-7	BINDING HEAD SCREW M4X12	1	1		
1	2	144495-8	PROTECTOR COMPLETE	1	1		
1	3	183G03-2	HOUSING SET	1	1		INC. 27
1	4	620647-0	CONTROLLER	1	1		
1	5	643852-2	TERMINAL	1	1		
1	6	458900-2	LOCK OFF BUTTON	1	1		
1	6	452438-9	LOCK OFF BUTTON	1	1		
1	7	231473-8	COMPRESSION SPRING 4	1	1		
1	8	457534-8	SLIDE PLATE	1	1		
1	9	234339-1	COMPRESSION SPRING 6	1	1		
1	10	454879-5	LOCK LEVER	1	1		
1	11	650744-8	SWITCH D3V-16-3C26	1	1		
1	12	231473-8	COMPRESSION SPRING 4	1	1		
1	13	417564-1	SWITCH LEVER	1	1		
1	16	451814-4	DUST GUARD	1	1		
1	17	268254-7	PIN 6	1	1		
1	18	253715-0	FLAT WASHER 6	1	1		
1	19	268256-3	PIN 4	2	2		
1	20	135883-0	HELICAL GEAR 47 ASS'Y	1	1		INC. 19
1	21	161598-3	CRANK COMPLETE	1	1		
1	22	629943-3	DC MOTOR	1	1		
1	23	268076-5	PIN 6	1	1		
1	24	253715-0	FLAT WASHER 6	2	2		
1	25	226831-1	GEAR 12-31	1	1		
1	27	183G03-2	HOUSING SET	1	1		INC. 3
1	28	266429-2	TAPPING SCREW 3X16	6	6		
1	29	853A11-8	XMU04 NAME PLATE	1	1		
1	30	195176-7	SHEAR BLADE ASSEMBLY	1	1		
1	31	140451-6	UNDER COVER COMPLETE	1	1		
1	32	198408-1	SHEAR BLADE ASS'Y, XMU04 MU04	1	1		Standard Equipment on X Model Accessory for Z Model
1	A01	452055-5	BLADE COVER	1	1		Not Pictured
1	A02	457426-1	GRASS RECEIVER 160	1	1		Not Pictured