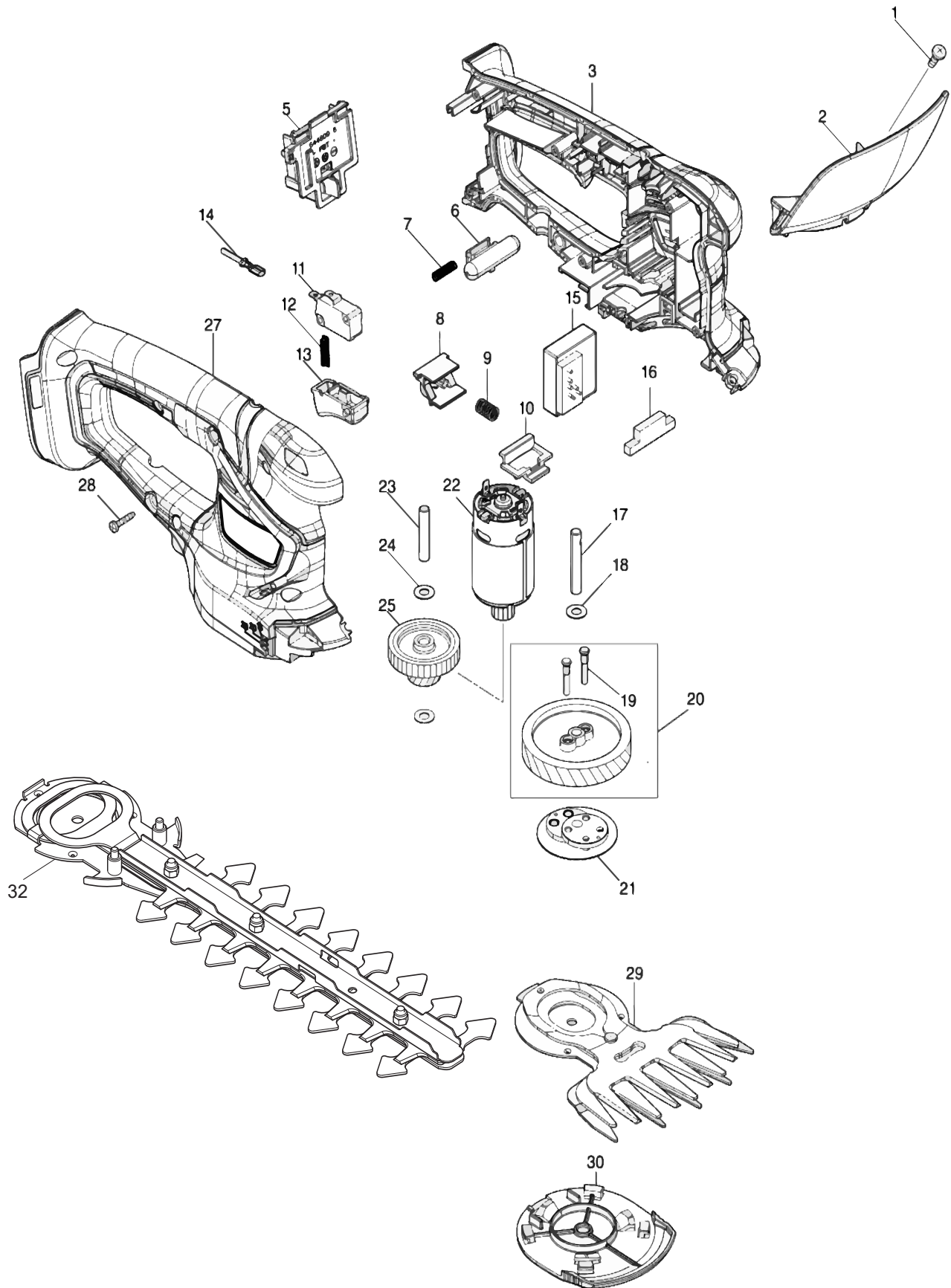




XMU05



Products with multiple versions are listed in subsiding order with the newest version on top not indented.

Section	Fig. No.	Part No.	Description	XMU05	Tech Bulletin	Notes
1	1	915116-7	BINDING HEAD SCREW M4X12	1		
1	2	140V98-8	PROTECTOR COMPLETE	1		
1	3	183G03-2	HOUSING SET	1		INC. 27/USE WITH LOCK OFF BUTTON 452438-9
1		931102-0	HEX NUT M4	1		INC WITH FIG 3
1		346275-0	PLATE	2		INC WITH FIG 3
1		263005-3	RUBBER PIN 6	2		INC WITH FIG 3
1	5	643852-2	TERMINAL	1		
1	6	452438-9	LOCK OFF BUTTON	1		
1	7	231473-8	COMPRESSION SPRING 4	1		
1	8	457534-8	SLIDE PLATE	1		
1	9	234339-1	COMPRESSION SPRING 6	1		
1	10	454879-5	LOCK LEVER	1		
1	11	650744-8	SWITCH D3V-16-3C26	1		
1	12	231473-8	COMPRESSION SPRING 4	1		
1	13	417564-1	SWITCH LEVER	1		
1	14	632S19-1	LEAD UNIT	1		
1	15	620E35-1	CONTROLLER	1		
1	16	451814-4	DUST GUARD	1		
1	17	268254-7	PIN 6	1		
1	18	253715-0	FLAT WASHER 6	1		
1	19	268256-3	PIN 4	2		
1	20	135883-0	HELICAL GEAR 47 ASS'Y	1		INC. 19
1	21	161598-3	CRANK COMPLETE	1		
1	22	629943-3	DC MOTOR	1		
1	23	268076-5	PIN 6	1		
1	24	253715-0	FLAT WASHER 6	2		
1	25	226831-1	GEAR 12-31	1		
1	27	183G03-2	HOUSING SET	1		INC. 3/USE WITH LOCK OFF BUTTON 452438-9
1		931102-0	HEX NUT M4	1		INC WITH FIG 3
1		346275-0	PLATE	2		INC WITH FIG 3
1		263005-3	RUBBER PIN 6	2		INC WITH FIG 3
1	28	266429-2	TAPPING SCREW 3X16	6		

Products with multiple versions are listed in subsiding order with the newest version on top not indented.

Section	Fig. No.	Part No.	Description	XMU05	Tech Bulletin	Notes
1	29	191N23-4	SHEAR BLADE ASSEMBLY 110 SET	1		
1	30	140451-6	UNDER COVER COMPLETE	1		
1	32	198408-1	HEDGE TRIMMER ATTACHMENT	1		OPTIONAL ACCY
1	A02	413885-9	BLADE COVER 110	1		NOT PICTURED