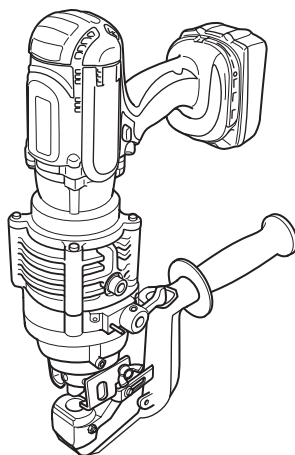


INSTRUCTION MANUAL
MANUAL DE INSTRUCCIONES



Cordless Hole Puncher Perforador Inalámbrico

XPP01



Read before use.
Lea antes de usar.

SPECIFICATIONS

Model:		XPP01
Max. throat depth		40 mm (1-37/64")
Shape of holes		Round / Oblong
Max. hole size and thickness	For mild steel of 65,000 psi tensile strength	Diameter : 20 mm (25/32") Thickness : 8 mm (5/16")
	For stainless steel of 89,000 psi tensile strength	Diameter : 20 mm (25/32") Thickness : 6 mm (15/64")
Rated voltage		D.C. 18 V
Dimensions (L x W x H) (with handle)		417 mm x 127 mm x 315 mm (16-27/64" x 5" x 12-13/32")
Net weight		10.7 - 10.8 kg (23.6 - 23.8 lbs)

- Due to our continuing program of research and development, the specifications herein are subject to change without notice.
- Specifications may differ from country to country.
- Weight, with battery cartridge, according to EPTA-Procedure 01/2014

Applicable battery cartridge and charger



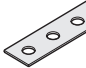
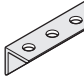
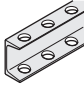
Battery cartridge	BL1830B / BL1840B / BL1850B / BL1860B
Charger	DC18RC / DC18RD / DC18RE / DC18SD / DC18SE / DC18SF

- Some of the battery cartridges and chargers listed above may not be available depending on your region of residence.

⚠ WARNING: Only use the battery cartridges and chargers listed above. Use of any other battery cartridges and chargers may cause injury and/or fire.

Combination of punch and die



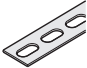
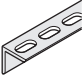
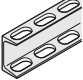
Round punching

Punch	Die	Workpiece	Capacity
		Flat bar 	Max: 80 mm (3-5/32") x t8 (Center punching)
		Angle 	Min: 40 mm (1-37/64") x 40 mm (1-37/64") x t3 Max: 80 mm (3-5/32") x 80 mm (3-5/32") x t8
		Channel 	Min: 75 mm (2-61/64") x 40 mm (1-37/64") Max: 100 mm (3-15/16") x 50 mm (1-31/32") (Flange punching)

Unit: mm

Punch	Die	Tensile	Channel	Tensile
		Mild Steel (65,000 psi)		Stainless Steel (89,000 psi)
6 (15/64")	SB6 (15/64"-SB)	t2 - t4	-	t3 - t4
6.5 (1/4")	SB6.5 (1/4"-SB)	t2 - t6	-	t3 - t4
8 (5/16")	SB8 (5/16"-SB)	t2 - t6	-	t3 - t4
8.5 (11/32")	SB8.5 (11/32"-SB)	t2 - t6	-	t3 - t4
10 (3/8")	SB10 (3/8"-SB)	t2 - t6	t7.5	t3 - t4
11 (7/16")	SB11 (7/16"-SB)	t2 - t8	t7.5	t3 - t6
12 (15/32")	SB12 (15/32"-SB)	t2 - t8	t7.5	t3 - t6
13 (1/2")	SB13 (1/2"-SB)	t2 - t8	t7.5	t3 - t6
14 (9/16")	SB14 (9/16"-SB)	t2 - t8	t7.5	t3 - t6
15 (19/32")	SB15 (19/32"-SB)	t2 - t8	t7.5	t3 - t6
16 (5/8")	SB16 (5/8"-SB)	t2 - t8	t7.5	t3 - t6
18 (23/32")	SB18 (23/32"-SB)	t2 - t8	t7.5	t3 - t6
19 (3/4")	SB19 (3/4"-SB)	t2 - t8	t7.5	t3 - t6
20 (25/32")	SB20 (25/32"-SB)	t2 - t8	t7.5	t3 - t6

Oblong punching

Punch	Die	Workpiece	Capacity
		Flat bar 	Max: 80 mm (3-5/32") x t8 (Center punching)
		Angle 	Min: 40 mm (1-37/64") x 40 mm (1-37/64") x t3 Max: 80 mm (3-5/32") x 80 mm (3-5/32") x t8
		Channel 	Min: 75 mm (61/64") x 40 mm (1-37/64") Max: 100 mm (3-15/16") x 50 mm (1-31/32") (Flange punching)

Unit: mm

Punch	Die	Tensile	Channel	Tensile
		Mild Steel (65,000 psi)		Stainless Steel (89,000 psi)
6.5 x 10 (1/4" x 3/8")	6.5 x 10B (1/4" x 3/8"-B)	t2 - t6	-	t3 - t4
6.5 x 13 (1/4" x 1/2")	6.5 x 13B (1/4" x 1/2"-B)	t2 - t6	-	t3 - t4
8.5 x 13 (11/32" x 1/2")	8.5 x 13B (11/32" x 1/2"-B)	t2 - t6	-	t3 - t4
8.5 x 17 (11/32" x 43/64")	8.5 x 17B (11/32" x 43/64"-B)	t2 - t6	-	t3 - t4
9 x 13.5 (23/64" x 17/32")	9 x 13.5B (23/64" x 17/32"-B)	t2 - t6	-	t3 - t4
9 x 18 (23/64" x 23/32")	9 x 18B (23/64" x 23/32"-B)	t2 - t6	-	t3 - t4
10 x 15 (3/8" x 19/32")	10 x 15B (3/8" x 19/32"-B)	t2 - t8	t7.5	t3 - t6
10 x 20 (3/8" x 25/32")	10 x 20B (3/8" x 25/32"-B)	t2 - t8	t7.5	t3 - t6
11 x 16.5 (7/16" x 21/32")	11 x 16.5B (7/16" x 21/32"-B)	t2 - t8	t7.5	t3 - t6
12 x 18 (15/32" x 23/32")	12 x 18B (15/32" x 23/32"-B)	t2 - t8	t7.5	t3 - t6
13 x 19.5 (1/2" x 49/64")	13 x 19.5B (1/2" x 49/64"-B)	t2 - t8	t7.5	t3 - t6
14 x 21 (9/16" x 53/64")	14 x 21B (9/16" x 53/64"-B)	t2 - t8	t7.5	t3 - t6

Symbols

The followings show the symbols used for the equipment. Be sure that you understand their meaning before use.



Read instruction manual.



Flying debris and loud noise hazards. Wear ear and eye protection.



Hazardous voltage. Disconnect all power before working on this equipment. Failure to observe this instruction may result in death or personal injury.



Moving blade. Keep hands clear while machine is operating. Turn power off before servicing.



Only for EU countries
Do not dispose of electric equipment or battery pack together with household waste material!
In observance of the European Directives, on Waste Electric and Electronic Equipment and Batteries and Accumulators and Waste Batteries and Accumulators and their implementation in accordance with national laws, electric equipment and batteries and battery pack(s) that have reached the end of their life must be collected separately and returned to an environmentally compatible recycling facility.

SAFETY WARNINGS

General power tool safety warnings

⚠ WARNING: Read all safety warnings, instructions, illustrations and specifications provided with this power tool. Failure to follow all instructions listed below may result in electric shock, fire and/or serious injury.

Save all warnings and instructions for future reference.

The term "power tool" in the warnings refers to your mains-operated (corded) power tool or battery-operated (cordless) power tool.

Work area safety

1. **Keep work area clean and well lit.** Cluttered or dark areas invite accidents.
2. **Do not operate power tools in explosive atmospheres, such as in the presence of flammable liquids, gases or dust.** Power tools create sparks which may ignite the dust or fumes.
3. **Keep children and bystanders away while operating a power tool.** Distractions can cause you to lose control.

Electrical Safety

1. **Power tool plugs must match the outlet. Never modify the plug in any way. Do not use any adapter plugs with earthed (grounded) power tools.** Unmodified plugs and matching outlets will reduce risk of electric shock.
2. **Avoid body contact with earthed or grounded surfaces, such as pipes, radiators, ranges and refrigerators.** There is an increased risk of electric shock if your body is earthed or grounded.
3. **Do not expose power tools to rain or wet conditions.** Water entering a power tool will increase the risk of electric shock.
4. **Do not abuse the cord. Never use the cord for carrying, pulling or unplugging the power tool. Keep cord away from heat, oil, sharp edges or moving parts.** Damaged or entangled cords increase the risk of electric shock.
5. **When operating a power tool outdoors, use an extension cord suitable for outdoor use.** Use of a cord suitable for outdoor use reduces the risk of electric shock.

6. **If operating a power tool in a damp location is unavoidable, use a ground fault circuit interrupter (GFCI) protected supply.** Use of a GFCI reduces the risk of electric shock.
7. **Power tools can produce electromagnetic fields (EMF) that are not harmful to the user.** However, users of pacemakers and other similar medical devices should contact the maker of their device and/or doctor for advice before operating this power tool.

Personal Safety

1. **Stay alert, watch what you are doing and use common sense when operating a power tool. Do not use a power tool while you are tired or under the influence of drugs, alcohol or medication.** A moment of inattention while operating power tools may result in serious personal injury.
2. **Use personal protective equipment. Always wear eye protection.** Protective equipment such as dust mask, non-skid safety shoes, hard hat, or hearing protection used for appropriate conditions will reduce personal injuries.
3. **Prevent unintentional starting. Ensure the switch is in the off-position before connecting to power source and/or battery pack, picking up or carrying the tool.** Carrying power tools with your finger on the switch or energising power tools that have the switch on invites accidents.
4. **Remove any adjusting key or wrench before turning the power tool on.** A wrench or a key left attached to a rotating part of the power tool may result in personal injury.
5. **Do not overreach. Keep proper footing and balance at all times.** This enables better control of the power tool in unexpected situations.
6. **Dress properly. Do not wear loose clothing or jewellery. Keep your hair, clothing and gloves away from moving parts.** Loose clothes, jewellery or long hair can be caught in moving parts.
7. **If devices are provided for the connection of dust extraction and collection facilities, ensure these are connected and properly used.** Use of dust collection can reduce dust-related hazards.
8. **Do not let familiarity gained from frequent use of tools allow you to become complacent and ignore tool safety principles.** A careless action can cause severe injury within a fraction of a second.
9. **Always wear protective goggles to protect your eyes from injury when using power tools. The goggles must comply with ANSI Z87.1 in the USA.**
It is an employer's responsibility to enforce the use of appropriate safety protective equipment by the tool operators and by other persons in the immediate working area.

Power tool use and care

1. **Do not force the power tool. Use the correct power tool for your application.** The correct power tool will do the job better and safer at the rate for which it was designed.
2. **Do not use the power tool if the switch does not turn it on and off.** Any power tool that cannot be controlled with the switch is dangerous and must be repaired.

3. **Disconnect the plug from the power source and/or remove the battery pack, if detachable, from the power tool before making any adjustments, changing accessories, or storing power tools.** Such preventive safety measures reduce the risk of starting the power tool accidentally.
4. **Store idle power tools out of the reach of children and do not allow persons unfamiliar with the power tool or these instructions to operate the power tool.** Power tools are dangerous in the hands of untrained users.
5. **Maintain power tools and accessories. Check for misalignment or binding of moving parts, breakage of parts and any other condition that may affect the power tool's operation. If damaged, have the power tool repaired before use.** Many accidents are caused by poorly maintained power tools.
6. **Keep cutting tools sharp and clean.** Properly maintained cutting tools with sharp cutting edges are less likely to bind and are easier to control.
7. **Use the power tool, accessories and tool bits etc. in accordance with these instructions, taking into account the working conditions and the work to be performed.** Use of the power tool for operations different from those intended could result in a hazardous situation.
8. **Keep handles and grasping surfaces dry, clean and free from oil and grease.** Slippery handles and grasping surfaces do not allow for safe handling and control of the tool in unexpected situations.
9. **When using the tool, do not wear cloth work gloves which may be entangled.** The entanglement of cloth work gloves in the moving parts may result in personal injury.

Battery tool use and care

1. **Recharge only with the charger specified by the manufacturer.** A charger that is suitable for one type of battery pack may create a risk of fire when used with another battery pack.
2. **Use power tools only with specifically designated battery packs.** Use of any other battery packs may create a risk of injury and fire.
3. **When battery pack is not in use, keep it away from other metal objects, like paper clips, coins, keys, nails, screws or other small metal objects, that can make a connection from one terminal to another.** Shorting the battery terminals together may cause burns or a fire.
4. **Under abusive conditions, liquid may be ejected from the battery; avoid contact.** If contact accidentally occurs, flush with water. If liquid contacts eyes, additionally seek medical help. Liquid ejected from the battery may cause irritation or burns.
5. **Do not use a battery pack or tool that is damaged or modified.** Damaged or modified batteries may exhibit unpredictable behaviour resulting in fire, explosion or risk of injury.
6. **Do not expose a battery pack or tool to fire or excessive temperature.** Exposure to fire or temperature above 130 °C may cause explosion.

7. **Follow all charging instructions and do not charge the battery pack or tool outside the temperature range specified in the instructions.** Charging improperly or at temperatures outside the specified range may damage the battery and increase the risk of fire.

Service

1. **Have your power tool serviced by a qualified repair person using only identical replacement parts.** This will ensure that the safety of the power tool is maintained.
2. **Never service damaged battery packs.** Service of battery packs should only be performed by the manufacturer or authorized service providers.
3. **Follow instruction for lubricating and changing accessories.**
4. **Do not modify or attempt to repair the appliance or the battery pack except as indicated in the instructions for use and care.**

Safety instructions for Cordless Hole Puncher

1. **Proper selection of the punch and the die is essential. Select the correct punch and die according to the hole shape, size of hole, workpiece thickness and material type.**
2. **Ensure that any punch with stepped edge, which prevents free rotation, is installed correctly in the punch piston before tightening the punch retaining nut.**
3. **For punching channel-shaped workpiece and the workpiece made of stainless steel, use the die provided exclusively for these materials. Only select the combination of the punch and die that is suitable for the workpiece thickness.**
4. **Ensure the punch and the die are firmly fixed in position with the nut or the bolt.** Failure to do so may cause serious damage to your tool and serious personal injury. Regularly check and tighten the punch and die.
5. **The tool is electro-hydraulic. When the temperature is cold, it should be run for a few minutes at idle before starting operations.**
6. **Keep face, hands and other parts of your body away from the punching area during operation.**
7. **Remove the battery cartridge before changing the punch and the die or when servicing or making adjustments.**
8. **The punch and the die that become worn, deformed, nicked, broken or damaged in any way may cause a tool breakdown and a serious accident. Replace them immediately with new ones supplied from Makita.**
9. **When punching stainless steel, the punch and die may wear earlier than punching softer materials. Ensure that the punch and die are in good condition, free from wear and are not deformed, nicked, broken or damaged in any way. Check with your dealer before punching any material not listed in the specifications.**

10. **Remove and check the carbon brushes regularly. Replace them after 200 times of use.** Carbon brushes with a length of about 6 mm (15/64") or less may cause damage to the motor.
11. **When using the tool continuously, its temperature can exceed 70 °C which may cause lower performance. In this case, stop operating for about 1 hour to allow the tool to cool down before using it again.**
12. **Do not cover or clog the motor air vents as this may cause the motor to overheat, resulting in smoke, fire and explosion.**

Symbols

The followings show the symbols used for tool.

V	volts
— — —	direct current
∅	diameter

Important safety instructions for battery cartridge

1. **Before using battery cartridge, read all instructions and cautionary markings on (1) battery charger, (2) battery, and (3) product using battery.**
2. **Do not disassemble battery cartridge.**
3. **If operating time has become excessively shorter, stop operating immediately. It may result in a risk of overheating, possible burns and even an explosion.**
4. **If electrolyte gets into your eyes, rinse them out with clear water and seek medical attention right away. It may result in loss of your eyesight.**
5. **Do not short the battery cartridge:**
 - (1) **Do not touch the terminals with any conductive material.**
 - (2) **Avoid storing battery cartridge in a container with other metal objects such as nails, coins, etc.**
 - (3) **Do not expose battery cartridge to water or rain.**

A battery short can cause a large current flow, overheating, possible burns and even a breakdown.

6. **Do not store the tool and battery cartridge in locations where the temperature may reach or exceed 50 °C (122 °F).**
7. **Do not incinerate the battery cartridge even if it is severely damaged or is completely worn out. The battery cartridge can explode in a fire.**
8. **Be careful not to drop or strike battery.**
9. **Do not use a damaged battery.**

10. **The contained lithium-ion batteries are subject to the Dangerous Goods Legislation requirements.**
For commercial transports e.g. by third parties, forwarding agents, special requirement on packaging and labeling must be observed. For preparation of the item being shipped, consulting an expert for hazardous material is required. Please also observe possibly more detailed national regulations.
Tape or mask off open contacts and pack up the battery in such a manner that it cannot move around in the packaging.
11. **When disposing the battery cartridge, remove it from the tool and dispose of it in a safe place. Follow your local regulations relating to disposal of battery.**
12. **Use the batteries only with the products specified by Makita.** Installing the batteries to non-compliant products may result in a fire, excessive heat, explosion, or leak of electrolyte.
13. **If the tool is not used for a long period of time, the battery must be removed from the tool.**

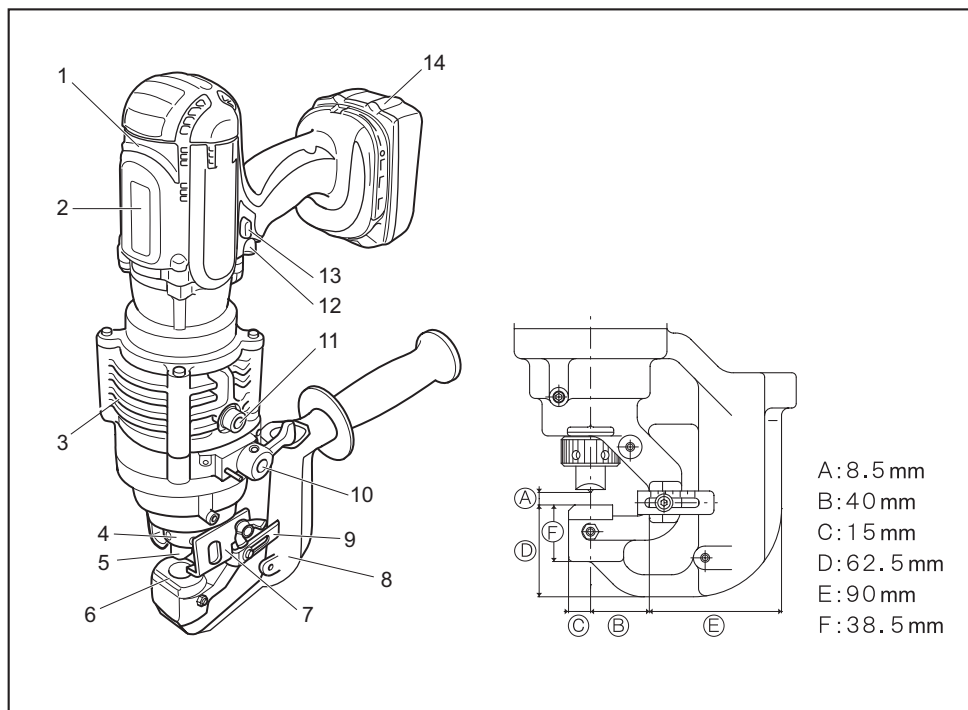
SAVE THESE INSTRUCTIONS.

⚠ CAUTION: Only use genuine Makita batteries. Use of non-genuine Makita batteries, or batteries that have been altered, may result in the battery bursting causing fires, personal injury and damage. It will also void the Makita warranty for the Makita tool and charger.

Tips for maintaining maximum battery life

1. **Charge the battery cartridge before completely discharged. Always stop tool operation and charge the battery cartridge when you notice less tool power.**
2. **Never recharge a fully charged battery cartridge. Overcharging shortens the battery service life.**
3. **Charge the battery cartridge with room temperature at 10 °C - 40 °C (50 °F - 104 °F). Let a hot battery cartridge cool down before charging it.**
4. **Charge the battery cartridge if you do not use it for a long period (more than six months).**

PARTS DESCRIPTION



1	Motor	2	Safety label	3	Pump case	4	Punch retaining nut
5	Punch	6	Die	7	Stripper	8	C frame
9	Slide stopper	10	Return lever	11	Oil port	12	Switch trigger
13	Trigger lock button	14	Battery cartridge	-	-	-	-

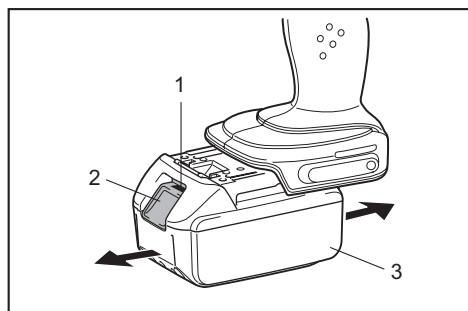
FUNCTIONAL DESCRIPTION

CAUTION: Always be sure that the tool is switched off and the battery cartridge is removed before adjusting or checking function on the tool.

Installing or removing battery cartridge

CAUTION: Always switch off the tool before installing or removing of the battery cartridge.

CAUTION: Hold the tool and the battery cartridge firmly when installing or removing battery cartridge. Failure to hold the tool and the battery cartridge firmly may cause them to slip off your hands and result in damage to the tool and battery cartridge and a personal injury.



► 1. Red indicator 2. Button 3. Battery cartridge

To remove the battery cartridge, slide it from the tool while sliding the button on the front of the cartridge.

To install the battery cartridge, align the tongue on the battery cartridge with the groove in the housing and slip it into place. Insert it all the way until it locks in place with a little click. If you can see the red indicator on the upper side of the button, it is not locked completely.

CAUTION: Always install the battery cartridge fully until the red indicator cannot be seen. If not, it may accidentally fall out of the tool, causing injury to you or someone around you.

CAUTION: Do not install the battery cartridge forcibly. If the cartridge does not slide in easily, it is not being inserted correctly.

Battery protection system

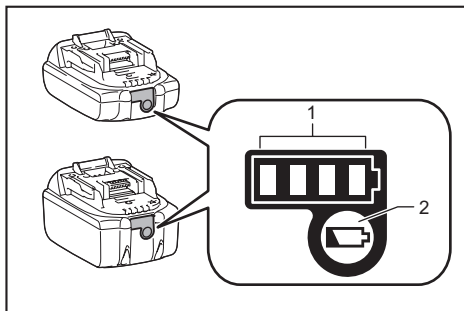
The tool is equipped with a battery protection system. This system automatically cuts off power to the motor to extend tool and battery life. The tool will automatically stop during operation if the tool or battery is placed under the following condition.

Overdischarge protection

When the battery capacity is not enough, the tool stops automatically. In this case, remove the battery from the tool and charge the battery.

Indicating the remaining battery capacity

Only for battery cartridges with the indicator



► 1. Indicator lamps 2. Check button

Press the check button on the battery cartridge to indicate the remaining battery capacity. The indicator lamps light up for a few seconds.

Indicator lamps			Remaining capacity
Lighted	Off	Blinking	
■ ■ ■ ■			75% to 100%
■ ■ ■ □			50% to 75%
■ ■ □ □			25% to 50%
■ □ □ □			0% to 25%
▬ □ □ □			Charge the battery.
■ ■ □ □			The battery may have malfunctioned.
□ □ ■ ■			

NOTE: Depending on the conditions of use and the ambient temperature, the indication may differ slightly from the actual capacity.

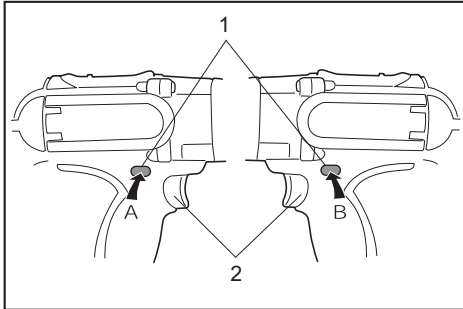
Switch action

CAUTION: Before installing the battery cartridge into the tool, always check to see that the switch trigger actuates properly and returns to the "OFF" position when released.

CAUTION: Always lock the switch trigger when not in use.

When punching a workpiece, continue to pull the switch trigger until the punch goes down to the die and returns to the start position.

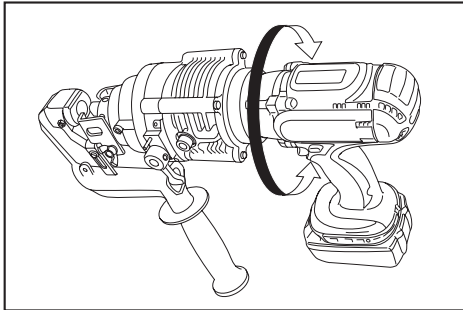
To lock the switch trigger, push in the trigger lock button from B side. To unlock, push in the trigger lock button from A side



► 1. Trigger lock button 2. Switch trigger

Rotatable grip

The grip can be rotated through 360 degrees, in either direction, during operation. This feature is particularly useful when working in awkward or narrow areas as it allows the operator to position the tool in the best position for easy operation.

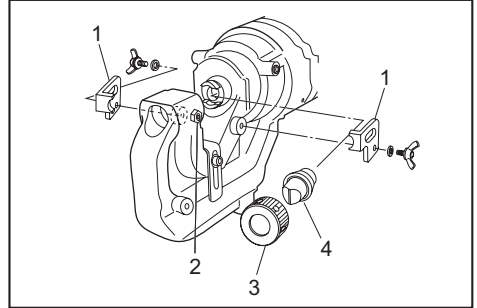


ASSEMBLY

CAUTION: Always be sure that the tool is switched off and the battery cartridge is removed before carrying out any work on the tool.

Replacing the punch and die

Replacing round punch



► 1. Stripper 2. Nut and set bolt 3. Punch retaining nut 4. Round punch

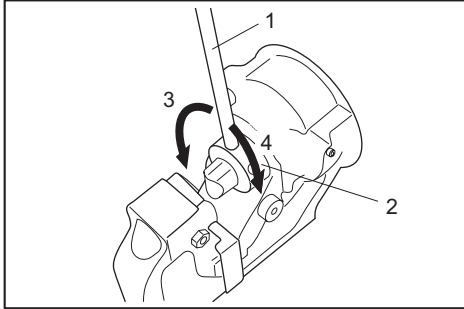
1. Be sure that the punch piston is fully retracted and remove the strippers to make access to the parts easier.
2. The punch must be removed first and then the die. Unscrew the punch retaining nut to remove the punch and remove the set bolt and the nut to remove the die.

NOTICE: When replacing the punch and the die, make sure that the correct size, thickness and hole shape is selected. Shaped punches and dies must be properly aligned with each other.

3. Place the die in the C frame in the proper orientation. Secure firmly with the set bolt and tighten the nut.
4. Place the punch in the punch retaining nut. Insert the punch with the nut into the punch piston and hand tighten the nut.

NOTICE: When installing a punch with a stepped edge (anti rotation), make sure the orientation is correct and that the stepped edge is correctly positioned in the punch piston.

5. Make sure the punch is correctly positioned in the punch rod and tighten the punch retaining nut firmly with the nut retaining bar supplied.



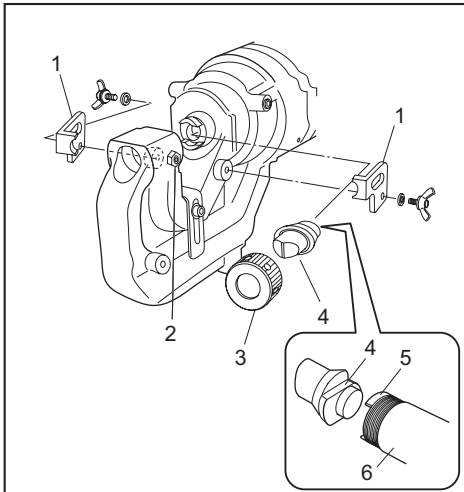
► 1. Nut retaining bar 2. Punch retaining nut
3. Loosen 4. Tighten

6. Restore the strippers.

⚠WARNING: If the punch and die are not the same size or the punch and the die are not positioned properly, the punch may strike the die causing both parts to break. In such a case, pieces flying off from the broken parts may cause personal injury.

⚠CAUTION: Check the butterfly bolts which hold the stripper regularly to ensure that they are tight. Loose bolts may cause the stripper to come off and damage the tool.

Replacing oblong punch



► 1. Stripper 2. Nut and set bolt 3. Punch retaining nut
4. Oblong punch 5. Stepped edge 6. Punch rod

1. Be sure that the punch piston is fully retracted and remove the strippers to make access to the parts easier.

2. The punch must be removed first and then the die. Unscrew the punch retaining nut to remove the punch and remove the set bolt and the nut to remove the die.

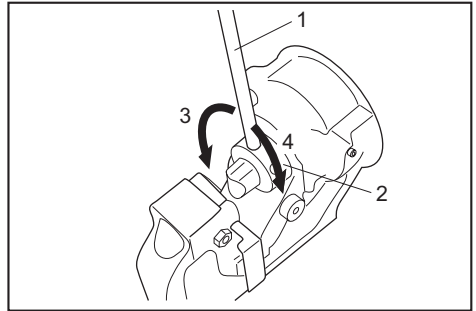
NOTICE: When replacing the punch and the die, make sure that the correct size, thickness and hole shape is selected. Shaped punches and dies must be properly aligned with each other.

3. Secure the oblong die firmly with the set bolt and tighten the nut.

4. Place the oblong punch into the punch retaining nut. Position the stepped edge of the oblong punch properly in the punch piston and hand tighten the punch retaining nut.

NOTICE: If the stepped edge of the oblong punch is not properly inserted into the punch piston, the punch retaining nut cannot be fastened. Make sure the oblong punch is positioned correctly in the punch rod.

5. Push the oblong punch against the punch rod and tighten the punch retaining nut firmly with the nut retaining bar supplied.



► 1. Nut retaining bar 2. Punch retaining nut
3. Loosen 4. Tighten

6. Restore the strippers.

⚠WARNING: If the punch and die are not the same size or the punch and the die are not positioned properly, the punch may strike the die causing both parts to break. In such a case, pieces flying off from the broken parts may cause personal injury.

⚠CAUTION: Check the butterfly bolts which hold the stripper regularly to ensure that they are tight. Loose bolts may cause the stripper to come off and damage the tool.

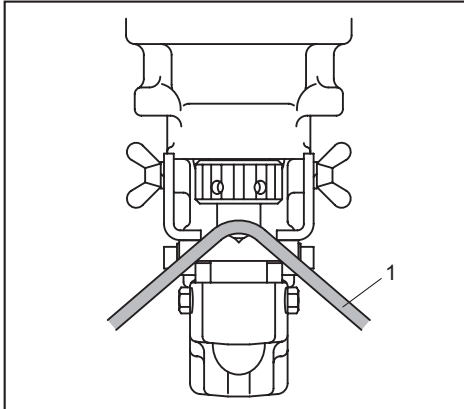
⚠CAUTION: Make sure the stepped edge of the oblong punch is positioned correctly in the punch rod and the punch retaining nut is properly fastened.

OPERATION

Correct use of the tool

Die selection

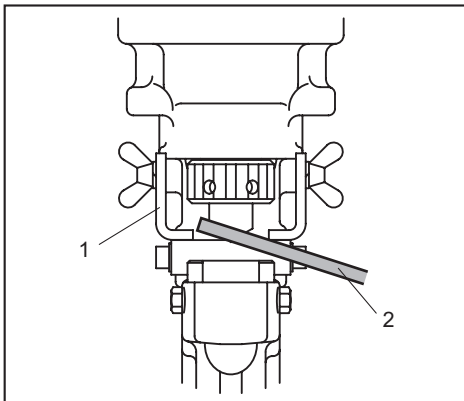
It is important that the die to be used is correct for the thickness of the workpiece to be punched. Punching the workpiece of 4 mm (5/32") to 8 mm (5/16") thickness using a die for thinner workpiece can cause the punch to jam in the workpiece. This is due to the smaller clearance between the die and punch. In such a case, the workpiece will be pulled up by the retracting punch as shown in the figure. Special care should be taken when punching flat bar of mild steel, aluminum and copper.



► 1. Workpiece

Correct use of the stripper

Do not position the workpiece with one end or both ends unsupported by the stripper. If the workpiece is not properly supported, it will move when the punch returns. It may cause the punch to jam and damaging the tool.

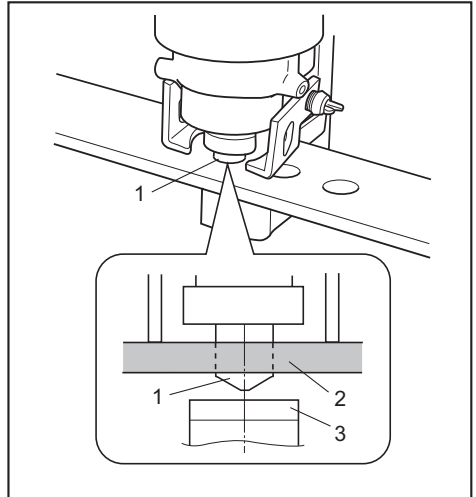


► 1. Stripper 2. Workpiece

Punching a hole

CAUTION: Before punching, always make sure that the proper punch and die are installed correctly.

1. Check the position for punching.

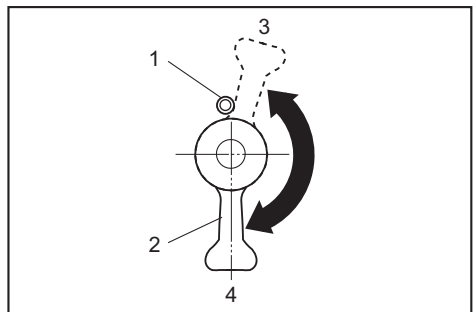


► 1. Punch 2. Flat bar 3. Die

2. Loosen the cap screw on the slide stopper and adjust the slide stopper to the desired position. After that, retighten the cap screw.

NOTE: The slide stopper is set to hold the hole puncher at a constant distance from the edge of the work piece.

3. Check that the return lever is fully closed in the clockwise direction.



► 1. Spring pin 2. Return lever 3. Open position 4. Closed position

4. Check that the punch piston is fully retracted.
5. Place the puncher in the required position on the workpiece using the slide stopper as a guide. Align the point of the punch with the center mark of the hole to be punched.

- Continue to pull the switch trigger until the punch reaches the end of its stroke and returns to the starting position.

The punch rod will extend and push the punch through the workpiece.

NOTE: To aid accurate and easy positioning of the punch, pull the switch trigger intermittently to jog the punch down to the workpiece. If the position is not satisfactory, open the return lever to retract the punch for another attempt. If the punch doesn't return to its starting position with return lever open, pull the switch trigger to return the punch.

NOTE: If the punch doesn't return after punching finishes, release the switch trigger to stop the motor and pull the switch trigger again.

If the punch doesn't return even after performing above procedures, perform the procedures for stopping the operation before the completion of punching mentioned below.

Stopping the operation before the punching is finished

If you want to stop the operation before the punching is finished, perform the procedures below:

- Turn the return lever counterclockwise until it hits the spring pin and then immediately back to its starting position.

Doing this releases the internal pressure of the tool. If the punch retracts from the workpiece under its own power, allow the punch to fully return. After that, turn the return lever back to its starting position. In this case, the following step is not necessary.

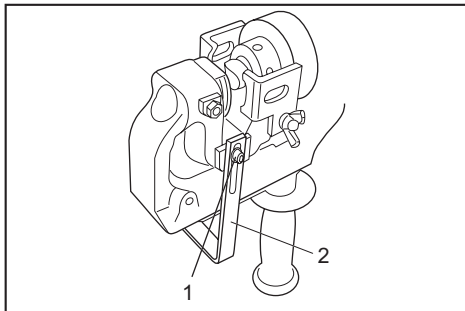
- Continue to pull the switch trigger until the punch returns to its starting position.

Using slide stopper for maximum depth

Optional accessory

CAUTION: Before attaching or removing the slide stopper, ensure that the battery cartridge is removed to prevent accidental operation and personal injury.

Punching up to 40 mm (1-37/64") depth from the edge of the workpiece can be done using the optional slide stopper.



► 1. Bolt and washer 2. Optional slide stopper

- Loosen the set bolt and nut to remove the die.
- Remove the bolt and washer fixing the slide stopper.
- Remove the slide stopper by pulling it to the upper side of the C frame.

- Insert the optional slide stopper for maximum depth from the bottom side of the C frame.

- Fix the optional slide stopper with the bolt and washer removed in step 2.

- Install the die with the set bolt and nut removed in step 1.

MAINTENANCE

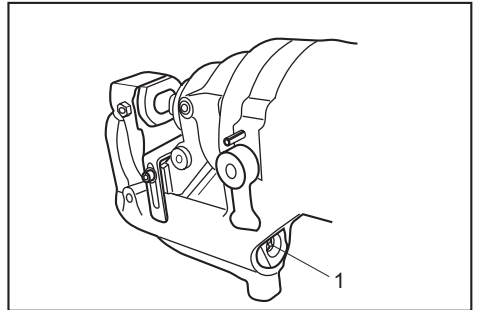
CAUTION: Always be sure that the tool is switched off and the battery cartridge is removed before attempting to perform inspection or maintenance.

NOTICE: Never use gasoline, benzine, thinner, alcohol or the like. Discoloration, deformation or cracks may result.

To maintain product SAFETY and RELIABILITY, repairs, any other maintenance or adjustment should be performed by Makita Authorized or Factory Service Centers, always using Makita replacement parts.

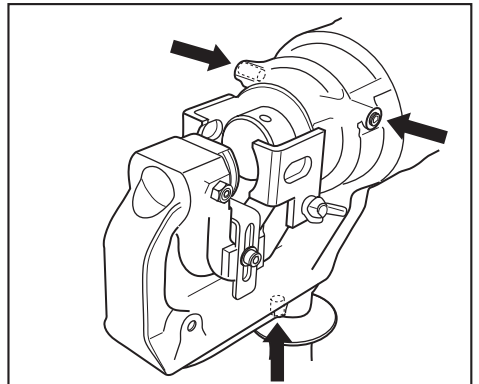
Regular maintenance

Keep the air hole at the end of the C frame clear of dirt and obstructions. The air hole has to be open in order to control the hydraulic pressure.



► 1. Air hole

Do not undo or remove the three screws as shown in the figure. Doing so will cause oil to leak from the tool.



Addling oil

This tool is electro-hydraulic. When shipped from the factory, it was filled with the oil. Do not attempt to add oil as long as the tool performs well. When the oil-pressure is not enough for proper operation, add oil in the following procedures.

NOTICE: Make sure that the work area and all equipment is clean so that no dirt, dust or other foreign materials can get into the hydraulic oil or pump area.

NOTICE: Only use pure hydraulic oil recommended by Makita. To prevent damage to the seals and other internal machine parts, do not use other oil listed below.

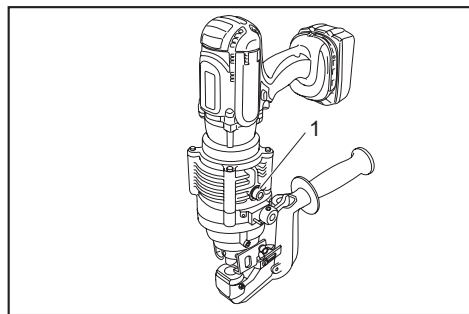
Recommended oil:

- Makita hydraulic oil
- Super Hyrando #46 (JXTG Nippon Oil & Energy Corp.)
- Shell Tellus Plus #46 (U.S. Shell)
- Hydraulic oil with equivalent spec anti-wear, ISO Viscosity Grade 46.

1. Install the battery cartridge to the tool.
2. Lay the tool on its left side so that the oil port is facing up.
3. Operate the tool to move the punch position almost to the bottom of its stroke.

NOTE: If necessary, run the tool for several strokes. Doing so allows you to determine the bottom of stroke and also position the punch piston correctly. In the correct position, the maximum amount of oil has been drawn from the pump and the appropriate amount of oil for refill can be obtained.

4. Remove the battery cartridge from the tool.
5. Carefully remove the socket head cap screw to open the oil port.



► 1. Socket head cap screw

6. Fill the reservoir with hydraulic oil using the small squeeze bottle which is supplied with the tool.
7. Rock the tool back and forth slightly several times to free any trapped air bubbles. After that, add additional oil as necessary.
8. Replace the socket head cap screw and wipe up any excess oil.

9. Install the battery cartridge and run the tool for several strokes with the return lever in open position. After that, run the tool again with the return lever in closed position.

Doing this purges trapped air out of the system. Repeat this procedure to make sure that the punch piston is almost at the bottom of its stroke.

10. Add additional oil as necessary by repeating step 3 to 9.

If the oil is depleted excessively, you need to repeat this procedure several times.

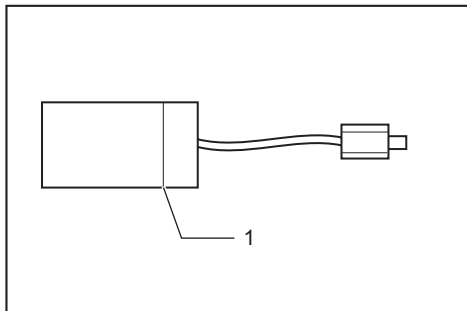
Replacing carbon brushes

Replace the carbon brushes when they wear down to the limit mark.

NOTICE: Keep the carbon brushes clean and free to slip in the holders.

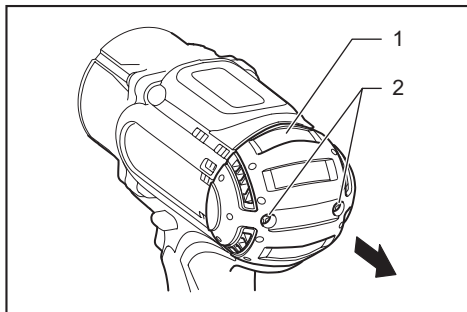
NOTICE: Both carbon brushes must be replaced at the same time.

NOTICE: Use only identical carbon brushes.



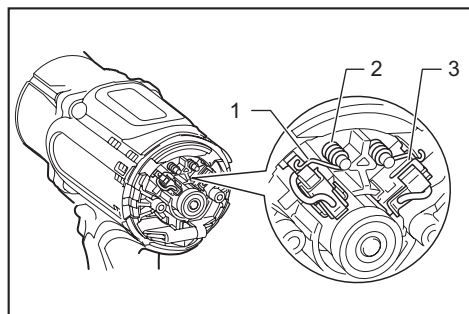
► 1. Limit mark

1. Remove two screws on the rear cover using a screwdriver and then remove the rear cover.



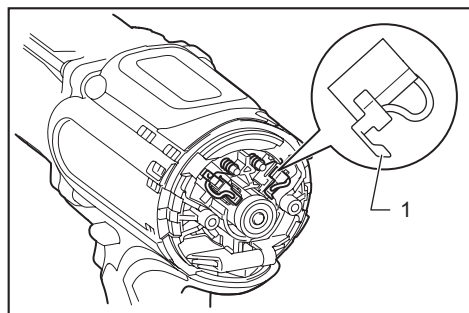
► 1. Rear cover 2. Screw

2. Raise the arm part of the spring and then place it in the recessed part of the housing with a slotted bit screwdriver or the like.



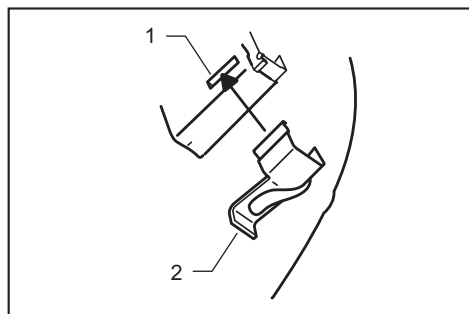
► 1. Arm 2. Spring 3. Recessed part

3. Remove the carbon brush caps of the carbon brushes using pliers and then take out the worn carbon brushes. Insert the new carbon brushes and attach the carbon brush caps.



► 1. Carbon brush cap

4. Make sure that the carbon brush caps have fit into the holes in brush holders securely.



► 1. Hole 2. Carbon brush cap

5. Reinstall the rear cover and tighten two screws securely.

TROUBLESHOOTING

Before asking for repairs, conduct your own inspection first. If you find a problem that is not explained in the manual, do not attempt to dismantle the tool. Instead, ask Makita Authorized Service Centers, always using Makita replacement parts for repairs.

State of abnormality	Probable cause (malfunction)	Remedy
Punch piston will not come out.	Oil is insufficient	Refill oil.
	Punch piston has not returned completely due to rebar chips, iron powder and dirt in the sliding portion of punch piston and C frame.	Push back punch piston. Clean punch piston.
	Punch piston has not returned completely due to the distortion or swelling of punch piston.	Ask your local authorized service center for repair.
	Punch piston has not returned completely due to weak return spring.	Ask your local authorized service center for repair.
Although punch piston comes out, cutting power is too weak to hole punching.	Oil is insufficient.	Refill oil.
	Contact between cylinder and release valve is improper. There may be scratches at chimney of cylinder or iron powder or dirt are sticking there.	Ask your local authorized service center for repair.
	Breakage of release valve.	Ask your local authorized service center for repair.
	Improper clearance between cylinder and piston.	Ask your local authorized service center for repair.
	Improper contact between cylinder and check valve.	Ask your local authorized service center for repair.
	Breakage of urethane packing of cylinder.	Ask your local authorized service center for repair.
Oil leaks.	Scratches on or breakage of oil leveler sack.	Ask your local authorized service center for repair.
	Scratches at sliding portion of C frame and punch piston and at back-up ring.	Ask your local authorized service center for repair.
	Breakage of O-ring at joint of C frame and cylinder.	Ask your local authorized service center for repair.
	Breakage of liner at joint of cylinder and pump case.	Ask your local authorized service center for repair.
	Insufficient tightening of bolts at respective parts.	Tighten bolts.
Motor does not move. Poor motor rotation.	Insufficient charge of battery cartridge.	Charge battery cartridge.
	Battery life cycle worn off.	Replace battery cartridge.
	Breakage of motor by overheating.	Ask your local authorized service center for repair.
	Deformation or breakage of bearings and gear connected to the motor.	Ask your local authorized service center for repair.

CAUTION: The internal components of the pump have very close clearances and are sensitive to damage from dust, dirt, contamination of the hydraulic fluid or improper handling. The disassembly of the pump housing requires special tools and training, and should only be attempted by repair personnel who have been properly trained and have the proper equipment. The improper servicing of electrical components can lead to conditions that could cause serious injury. The pump and piston components and all electrical components should be serviced only by authorized repair shop, dealer or distributor.

NOTICE: Any attempt by unauthorized personnel to service the internal components of the pump area will void the warranty.

OPTIONAL ACCESSORIES

⚠ CAUTION: These accessories or attachments are recommended for use with your Makita tool specified in this manual. The use of any other accessories or attachments might present a risk of injury to persons. Only use accessory or attachment for its stated purpose.

If you need any assistance for more details regarding these accessories, ask your local Makita Service Center.

- Work stand
- Slide stopper (Max. throat depth)
- Makita genuine battery and charger

NOTE: Some items in the list may be included in the tool package as standard accessories. They may differ from country to country.

ESPECIFICACIONES

Modelo:		XPP01
Profundidad máx. de garganta		40 mm (1-37/64")
Forma de los orificios		Redonda/oblonga
Tamaño y grosor máximos del orificio	Para acero suave con una resistencia a la tracción de 65 000 psi	Diámetro: 20 mm (25/32") Grosor: 8 mm (5/16")
	Para acero inoxidable con una resistencia a la tracción de 89 000 psi	Diámetro: 20 mm (25/32") Grosor: 6 mm (15/64")
Tensión nominal		18 V c.c.
Dimensions (L x W x H) (with handle)		417 mm x 127 mm x 315 mm (16-27/64" x 5" x 12-13/32")
Peso neto		10,7 - 10,8 kg (23,6 - 23,8 lbs)

- Debido a nuestro continuo programa de investigación y desarrollo, las especificaciones aquí incluidas están sujetas a cambio sin previo aviso.
- Las especificaciones pueden variar de país a país.
- Peso de acuerdo al procedimiento de EPTA-01/2014 incluyendo el cartucho de batería

Cartucho de batería y cargador aplicables



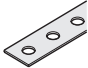
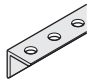
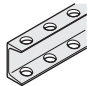
Cartucho de batería	BL1830B / BL1840B / BL1850B / BL1860B
Cargador	DC18RC / DC18RD / DC18RE / DC18SD / DC18SE / DC18SF

- Algunos de los cartuchos de batería y cargadores enumerados arriba podrían no estar disponibles dependiendo de su área de residencia.

⚠ ADVERTENCIA: Use únicamente los cartuchos de batería y los cargadores indicados arriba. El uso de cualquier otro cartucho de batería y cargador podría ocasionar una lesión y/o un incendio.

Combinación de punzón y troquel



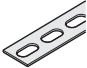
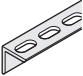
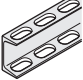
Perforado redondo

Punzón	Troquel	Pieza de trabajo	Capacidad
		Barra plana 	Máx.: 80 mm (3-5/32") x t8 (Perforado central)
		En ángulo 	Mín.: 40 mm (1-37/64") x 40 mm (1-37/64") x t3 Máx.: 80 mm (3-5/32") x 80 mm (3-5/32") x t8
		En canal 	Mín.: 75 mm (2-61/64") x 40 mm (1-37/64") Máx.: 100 mm (3-15/16") x 50 mm (1-31/32") (Perforado de reborde)

Unidad: mm

Punzón	Troquel	Tracción	En canal	Tracción
		Acero suave (65 000 psi)		Acero inoxidable (89 000 psi)
6 (15/64")	SB6 (15/64"-SB)	t2 - t4	-	t3 - t4
6.5 (1/4")	SB6.5 (1/4"-SB)	t2 - t6	-	t3 - t4
8 (5/16")	SB8 (5/16"-SB)	t2 - t6	-	t3 - t4
8.5 (11/32")	SB8.5 (11/32"-SB)	t2 - t6	-	t3 - t4
10 (3/8")	SB10 (3/8"-SB)	t2 - t6	t7,5	t3 - t4
11 (7/16")	SB11 (7/16"-SB)	t2 - t8	t7,5	t3 - t6
12 (15/32")	SB12 (15/32"-SB)	t2 - t8	t7,5	t3 - t6
13 (1/2")	SB13 (1/2"-SB)	t2 - t8	t7,5	t3 - t6
14 (9/16")	SB14 (9/16"-SB)	t2 - t8	t7,5	t3 - t6
15 (19/32")	SB15 (19/32"-SB)	t2 - t8	t7,5	t3 - t6
16 (5/8")	SB16 (5/8"-SB)	t2 - t8	t7,5	t3 - t6
18 (23/32")	SB18 (23/32"-SB)	t2 - t8	t7,5	t3 - t6
19 (3/4")	SB19 (3/4"-SB)	t2 - t8	t7,5	t3 - t6
20 (25/32")	SB20 (25/32"-SB)	t2 - t8	t7,5	t3 - t6

Perforado oblongo

Punzón	Troquel	Pieza de trabajo	Capacidad
		Barra plana 	Máx.: 80 mm (3-5/32") x t8 (Perforado central)
		En ángulo 	Mín.: 40 mm (1-37/64") x 40 mm (1-37/64") x t3 Máx.: 80 mm (3-5/32") x 80 mm (3-5/32") x t8
		En canal 	Mín.: 75 mm (61/64") x 40 mm (1-37/64") Máx.: 100 mm (3-15/16") x 50 mm (1-31/32") (Perforado de reborde)

Unidad: mm

Punzón	Troquel	Tracción	En canal	Tracción
		Acero suave (65 000 psi)		Acero inoxidable (89 000 psi)
6.5 x 10 (1/4" x 3/8")	6.5 x 10B (1/4" x 3/8"-B)	t2 - t6	-	t3 - t4
6.5 x 13 (1/4" x 1/2")	6.5 x 13B (1/4" x 1/2"-B)	t2 - t6	-	t3 - t4
8.5 x 13 (11/32" x 1/2")	8.5 x 13B (11/32" x 1/2"-B)	t2 - t6	-	t3 - t4
8.5 x 17 (11/32" x 43/64")	8.5 x 17B (11/32" x 43/64"-B)	t2 - t6	-	t3 - t4
9 x 13.5 (23/64" x 17/32")	9 x 13.5B (23/64" x 17/32"-B)	t2 - t6	-	t3 - t4
9 x 18 (23/64" x 23/32")	9 x 18B (23/64" x 23/32"-B)	t2 - t6	-	t3 - t4
10 x 15 (3/8" x 19/32")	10 x 15B (3/8" x 19/32"-B)	t2 - t8	t7,5	t3 - t6
10 x 20 (3/8" x 25/32")	10 x 20B (3/8" x 25/32"-B)	t2 - t8	t7,5	t3 - t6
11 x 16.5 (7/16" x 21/32")	11 x 16.5B (7/16" x 21/32"-B)	t2 - t8	t7,5	t3 - t6
12 x 18 (15/32" x 23/32")	12 x 18B (15/32" x 23/32"-B)	t2 - t8	t7,5	t3 - t6
13 x 19.5 (1/2" x 49/64")	13 x 19.5B (1/2" x 49/64"-B)	t2 - t8	t7,5	t3 - t6
14 x 21 (9/16" x 53/64")	14 x 21B (9/16" x 53/64"-B)	t2 - t8	t7,5	t3 - t6

Símbolos

A continuación se muestran los símbolos utilizados para el equipo. Asegúrese de entender su significado antes de usarlo.



Lea el manual de instrucciones.



Riesgo de residuos que salen disparados y de ruido fuerte. Utilice protección para los oídos y ojos.



Tensión peligrosa. Desconecte toda alimentación antes de trabajar en este equipo. El no seguir estas instrucciones podría ocasionar la muerte o una lesión grave.



Disco en movimiento. Mantenga las manos alejadas mientras la máquina está funcionando. Apague la alimentación antes de dar servicio.



Exclusivamente para países de la Unión Europea

¡No deseché ningún equipo eléctrico ni paquete de batería junto con los residuos domésticos!

De conformidad con las Directivas Europeas relativas a los residuos de equipos eléctricos y electrónicos, baterías y acumuladores y a los residuos de baterías y acumuladores y su aplicación de acuerdo con las leyes nacionales, los equipos eléctricos, baterías y paquetes de baterías cuya vida útil haya llegado a su fin deberán ser recolectados por separado y trasladados a una instalación de reciclaje que cumpla con las normas ambientales.

ADVERTENCIAS DE SEGURIDAD

Advertencias generales de seguridad para herramientas eléctricas

⚠️ ADVERTENCIA: Lea todas las advertencias de seguridad, instrucciones, ilustraciones y especificaciones suministradas con esta herramienta eléctrica. El no seguir todas las instrucciones indicadas a continuación podría ocasionar una descarga eléctrica, incendio y/o lesiones graves.

Conserve todas las advertencias e instrucciones como referencia en el futuro.

En las advertencias, el término "herramienta eléctrica" se refiere a su herramienta eléctrica de funcionamiento con conexión a la red eléctrica (con cableado eléctrico) o herramienta eléctrica de funcionamiento a batería (inalámbrica).

Seguridad en el área de trabajo

1. **Mantenga el área de trabajo limpia y bien iluminada.** Las áreas oscuras o desordenadas son propensas a accidentes.
2. **No utilice las herramientas eléctricas en atmósferas explosivas, tal como en la presencia de líquidos, gases o polvo inflamables.** Las herramientas eléctricas crean chispas que pueden prender fuego al polvo o los humos.
3. **Mantenga a los niños y curiosos alejados mientras utiliza una herramienta eléctrica.** Las distracciones le pueden hacer perder el control.

Seguridad eléctrica

1. **Las clavijas de conexión de las herramientas eléctricas deberán encajar perfectamente en la toma de corriente. No modifique nunca la clavija de conexión de ninguna forma. No utilice ninguna clavija adaptadora con herramientas eléctricas que tengan conexión a tierra (puesta a tierra).** La utilización de clavijas no modificadas y que encajen perfectamente en la toma de corriente reducirá el riesgo de que se produzca una descarga eléctrica.

2. **Evite tocar con el cuerpo superficies conectadas a tierra o puestas a tierra tales como tubos, radiadores, cocinas y refrigeradores.** Si su cuerpo es puesto a tierra o conectado a tierra existirá un mayor riesgo de que sufra una descarga eléctrica.
3. **No exponga las herramientas eléctricas a la lluvia ni a condiciones húmedas.** La entrada de agua en una herramienta eléctrica aumentará el riesgo de que se produzca una descarga eléctrica.
4. **No maltrate el cable. Nunca utilice el cable para transportar, jalar o desconectar la herramienta eléctrica. Mantenga el cable alejado del calor, aceite, objetos cortantes o piezas móviles.** Los cables dañados o enredados aumentan el riesgo de sufrir una descarga eléctrica.
5. **Cuando utilice una herramienta eléctrica en exteriores, utilice un cable de extensión apropiado para uso en exteriores.** La utilización de un cable apropiado para uso en exteriores reducirá el riesgo de que se produzca una descarga eléctrica.
6. **Si no es posible evitar usar una herramienta eléctrica en condiciones húmedas, utilice un alimentador protegido con interruptor de circuito de falla a tierra (ICFT).** El uso de un ICFT reduce el riesgo de descarga eléctrica.
7. **Las herramientas eléctricas pueden producir campos electromagnéticos (CEM) que no son dañinos para el usuario.** Sin embargo, si los usuarios tienen marcapasos y otros dispositivos médicos similares, deberán consultar al fabricante de su dispositivo y/o a su médico antes de operar esta herramienta eléctrica.

Seguridad personal

1. **Manténgase alerta, preste atención a lo que está haciendo y utilice su sentido común cuando opere una herramienta eléctrica. No utilice una herramienta eléctrica cuando esté cansado o bajo la influencia de drogas, alcohol o medicamentos.** Un momento de distracción mientras opera las herramientas eléctricas puede terminar en una lesión grave.
2. **Use equipo de protección personal. Póngase siempre protección para los ojos.** El equipo protector tal como máscara contra el polvo, zapatos de seguridad antiderrapantes, casco rígido y protección para oídos utilizado en las condiciones apropiadas reducirá el riesgo de lesiones.
3. **Impida el encendido accidental. Asegúrese de que el interruptor esté en la posición de apagado antes de conectar a la alimentación eléctrica y/o de colocar el cartucho de batería, así como al levantar o cargar la herramienta.** Cargar las herramientas eléctricas con su dedo en el interruptor o enchufarlas con el interruptor encendido hace que los accidentes sean comunes.
4. **Retire cualquier llave de ajuste o llave de apriete antes de encender la herramienta.** Una llave de ajuste o llave de apriete que haya sido dejada puesta en una parte giratoria de la herramienta eléctrica puede ocasionar alguna lesión.

5. **No utilice la herramienta donde no alcance. Mantenga los pies sobre suelo firme y el equilibrio en todo momento.** Esto permite un mejor control de la herramienta eléctrica en situaciones inesperadas.
6. **Use una vestimenta apropiada. No use ropa suelta ni alhajas. Mantenga el cabello, la ropa y los guantes alejados de las piezas móviles.** Las prendas de vestir holgadas, las alhajas y el cabello largo suelto podrían engancharse en estas piezas móviles.
7. **Si dispone de dispositivos para la conexión de equipos de extracción y recolección de polvo, asegúrese de conectarlos y utilizarlos debidamente.** Hacer uso de la recolección de polvo puede reducir los riesgos relacionados con el polvo.
8. **No permita que la familiaridad adquirida debido al uso frecuente de las herramientas haga que se sienta confiado e ignore los principios de seguridad de las herramientas.** Un descuido podría ocasionar una lesión grave en una fracción de segundo.
9. **Utilice siempre gafas protectoras para proteger sus ojos de lesiones al usar herramientas eléctricas. Las gafas deben cumplir con la Norma ANSI Z87.1 en EUA.**

Es responsabilidad del empleador imponer el uso de equipos protectores de seguridad apropiados a los operadores de la herramienta y demás personas cerca del área de trabajo.

Mantenimiento y uso de la herramienta eléctrica

1. **No fuerce la herramienta eléctrica. Utilice la herramienta eléctrica correcta para su aplicación.** La herramienta eléctrica adecuada hará un mejor trabajo y de forma más segura a la velocidad para la que ha sido fabricada.
 2. **No utilice la herramienta eléctrica si el interruptor no la enciende y apaga.** Cualquier herramienta eléctrica que no pueda ser controlada con el interruptor es peligrosa y debe ser reemplazada.
 3. **Desconecte la clavija de la fuente de alimentación y/o retire la batería de la herramienta eléctrica, en caso de ser removible, antes de realizar ajustes, cambiar accesorios o almacenar las herramientas eléctricas.** Tales medidas de seguridad preventivas reducirán el riesgo de poner en marcha la herramienta eléctrica de forma accidental.
 4. **Guarde la herramienta eléctrica que no use fuera del alcance de los niños y no permita que las personas que no están familiarizadas con ella o con las instrucciones la operen.** Las herramientas eléctricas son peligrosas en manos de personas que no saben operarlas.
 5. **Dé mantenimiento a las herramientas eléctricas y los accesorios. Compruebe que no haya piezas móviles desalineadas o estancadas, piezas rotas y cualquier otra condición que pueda afectar al funcionamiento de la herramienta eléctrica. Si la herramienta eléctrica está dañada, haga que la reparen antes de utilizarla.** Muchos de los accidentes son ocasionados por no dar un mantenimiento adecuado a las herramientas eléctricas.
6. **Mantenga las herramientas de corte limpias y filosas.** Si recibe un mantenimiento adecuado y tiene los bordes afilados, es probable que la herramienta se atascue menos y sea más fácil controlarla.
 7. **Utilice la herramienta eléctrica, los accesorios y las brocas de acuerdo con estas instrucciones, considerando las condiciones laborales y el trabajo a realizar.** Si utiliza la herramienta eléctrica para realizar operaciones distintas de las indicadas, podrá presentarse una situación peligrosa.
 8. **Mantenga los mangos y superficies de asiento secos, limpios y libres de aceite o grasa.** Los mangos y superficies de asiento resbalosos no permiten una manipulación segura ni el control de la herramienta en situaciones inesperadas.
 9. **Cuando vaya a utilizar esta herramienta, evite usar guantes de trabajo de tela ya que éstos podrían atorarse.** Si los guantes de trabajo de tela llegaran a atorarse en las piezas móviles, esto podría ocasionar lesiones personales.

Uso y cuidado de la herramienta a batería

1. **Recargue sólo con el cargador especificado por el fabricante.** Un cargador que es adecuado para un solo tipo de batería puede generar riesgo de incendio al ser utilizado con otra batería.
2. **Utilice las herramientas eléctricas solamente con las baterías designadas específicamente para ellas.** La utilización de cualquier otra batería puede crear un riesgo de lesiones o incendio.
3. **Cuando no se esté usando la batería, manténgala alejada de otros objetos metálicos, como sujetapapeles (clips), monedas, llaves, clavos, tornillos u otros objetos pequeños de metal los cuales pueden actuar creando una conexión entre las terminales de la batería.** Originar un cortocircuito en las terminales puede causar quemaduras o incendios.
4. **En condiciones abusivas, podrá escapar líquido de la batería; evite tocarlo. Si lo toca accidentalmente, enjuague con agua. Si hay contacto del líquido con los ojos, busque asistencia médica.** Puede que el líquido expulsado de la batería cause irritación o quemaduras.
5. **No utilice una herramienta ni una batería que estén dañadas o hayan sido modificadas.** Las baterías dañadas o modificadas podrían ocasionar una situación inesperada provocando un incendio, explosión o riesgo de lesiones.
6. **No exponga la herramienta ni la batería al fuego ni a una temperatura excesiva.** La exposición al fuego o a una temperatura superior a los 130 °C podría causar una explosión.
7. **Siga todas las instrucciones para la carga y evite cargar la herramienta o la batería fuera del rango de temperatura especificado en las instrucciones.** Una carga inadecuada o a una temperatura fuera del rango especificado podría dañar la batería e incrementar el riesgo de incendio.

Servicio

1. Haga que una persona calificada repare la herramienta eléctrica utilizando sólo piezas de repuesto idénticas. Esto asegura que se mantenga la seguridad de la herramienta eléctrica.
2. Nunca dé servicio a baterías que estén dañadas. El servicio a las baterías solamente deberá ser efectuado por el fabricante o un agente de servicio autorizado.
3. Siga las instrucciones para la lubricación y cambio de accesorios.
4. No modifique ni intente reparar el aparato ni el paquete de baterías salvo como se indique en las instrucciones para el uso y cuidado.



Instrucciones de seguridad para Perforador Inalámbrico

1. Es esencial la selección adecuada del punzón y el troquel. Seleccione el punzón y el troquel correctos de acuerdo con la forma y el tamaño del orificio, el grosor de la pieza de trabajo y el tipo de material.
2. Asegúrese de que cualquier punzón con borde escalonado, que evita la rotación libre, quede instalado correctamente en el pistón del punzón antes de apretar la tuerca de retención del punzón.
3. Para perforar la pieza de trabajo en forma de canal y la pieza de trabajo de acero inoxidable, use el troquel específicamente para estos materiales. Seleccione solo la combinación del punzón y el troquel que sea adecuada para el grosor de la pieza de trabajo.
4. Asegúrese de que el punzón y el troquel estén fijados con firmeza en posición con la tuerca o el perno. El no hacerlo podría causar daños graves a su herramienta y en lesiones personales graves. Verifique y apriete regularmente el punzón y el troquel.
5. La herramienta es electrohidráulica. Cuando la temperatura está fría, deberá funcionar durante unos minutos en ralentí antes de comenzar las operaciones.
6. Mantenga la cara, las manos y otras partes de su cuerpo alejados del área de perforado durante la operación.
7. Retire el cartucho de batería antes de cambiar el punzón y el troquel o cuando realice el mantenimiento o realice ajustes.
8. El punzón y el troquel que se desgastan, deforman, mellan, rompen o dañan de alguna manera pueden causar una falla de la herramienta y un accidente grave. Reemplácelos inmediatamente por otros nuevos provistos por Makita.
9. Al perforar acero inoxidable, el punzón y el troquel pueden desgastarse antes que los materiales más blandos para perforado. Asegúrese de que el punzón y el troquel estén en buenas condiciones, libres de desgaste y que no estén deformados, mellados, rotos o dañados de forma alguna. Consulte con su distribuidor antes de perforar cualquier material que no esté incluido en las especificaciones.

10. Extraiga e inspeccione de forma periódica las escobillas de carbón. Reemplácelas después de usarlas 200 veces. Las escobillas de carbón con una longitud de aproximadamente 6 mm (15/64") o menos pueden causar daños al motor.
11. Cuando se usa la herramienta continuamente, su temperatura puede superar los 70 °C, lo que puede causar un rendimiento deficiente. En este caso, deje de operar la herramienta durante aproximadamente 1 hora para permitir que esta se enfríe antes de usarla nuevamente.
12. No cubra ni obstruya las aberturas de ventilación del motor, ya que esto puede sobrecalentar el motor y provocar humo, fuego y una explosión.

Símbolos

A continuación se muestran los símbolos utilizados para la herramienta.

V	volts o voltios
	corriente directa o continua
	diámetro

Instrucciones importantes de seguridad para el cartucho de batería

1. Antes de utilizar el cartucho de batería, lea todas las instrucciones e indicaciones de precaución en el (1) el cargador de batería, (2) la batería, y (3) el producto con el que se utiliza la batería.
2. No desarme el cartucho de batería.
3. Si el tiempo de operación se ha acortado en exceso, deje de operar de inmediato. Podría correrse el riesgo de sobrecalentamiento, posibles quemaduras e incluso explosión.
4. En caso de que ingresen electrolitos en sus ojos, enjuáguelos bien con agua limpia y consulte de inmediato a un médico. Esto podría ocasionar pérdida de visión.
5. Evite cortocircuitar el cartucho de batería:
 - (1) No toque las terminales con ningún material conductor.
 - (2) Evite guardar el cartucho de batería en un cajón junto con otros objetos metálicos, tales como clavos, monedas, etc.
 - (3) No exponga el cartucho de batería al agua o la lluvia.Un cortocircuito en la batería puede causar un flujo grande de corriente, sobrecalentamiento, posibles quemaduras e incluso una descompostura.
6. No guarde la herramienta ni el cartucho de batería en lugares donde la temperatura pueda alcanzar o exceder los 50°C (122°F).

7. **Nunca incinere el cartucho de batería incluso en el caso de que esté dañado seriamente o ya no sirva en absoluto. El cartucho de batería puede explotar si se tira al fuego.**
8. **Tenga cuidado de no dejar caer ni golpear la batería.**
9. **No use una batería dañada.**
10. **Las baterías de ión de litio están sujetas a los requisitos reglamentarios en materia de bienes peligrosos.**

Para el transporte comercial, por ej., mediante terceros o agentes de transporte, se deben tomar en cuenta los requisitos especiales relativos al empaque y el etiquetado.

Para efectuar los preparativos del artículo que se va a enviar, se requiere consultar a un experto en materiales peligrosos. Si es posible, consulte además otras regulaciones nacionales más detalladas.

Pegue o cubra con cinta adhesiva los contactos abiertos y empaque la batería de manera que ésta no pueda moverse dentro del paquete.
11. **Para deshacerse del cartucho de batería, sáquelo de la herramienta y deséchelo en un lugar seguro. Siga las regulaciones locales relacionadas al desecho de las baterías.**
12. **Utilice las baterías únicamente con los productos especificados por Makita.** Instalar las baterías en productos que no cumplan con los requisitos podría ocasionar un incendio, un calentamiento excesivo, una explosión o una fuga de electrolito.
13. **Si no se utiliza la herramienta por un período largo, debe extraerse la batería de la herramienta.**

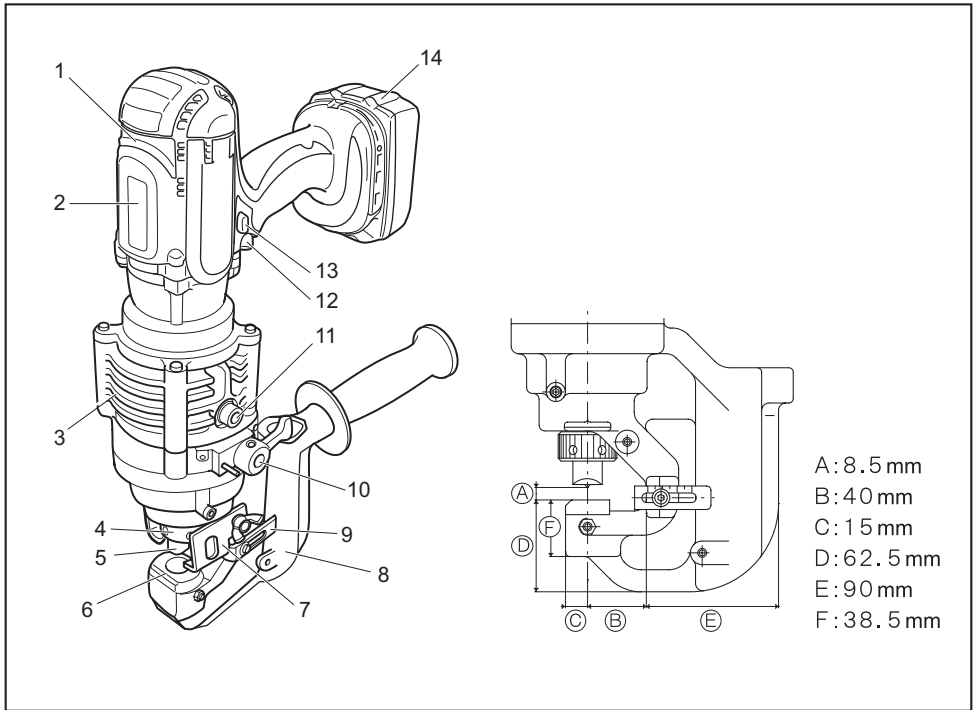
GUARDE ESTAS INSTRUCCIONES.

⚠PRECAUCIÓN: Utilice únicamente baterías originales de Makita. El uso de baterías no originales de Makita, o de baterías alteradas, puede ocasionar que las baterías exploten causando un incendio, lesiones personales y daños. Asimismo, esto invalidará la garantía de Makita para la herramienta y el cargador Makita.

Consejos para alargar al máximo la vida útil de la batería

1. **Cargue el cartucho de batería antes de que se descargue completamente. Pare siempre la operación y cargue el cartucho de batería cuando note menos potencia en la herramienta.**
2. **No cargue nunca un cartucho de batería que esté completamente cargado. La sobrecarga acortará la vida de servicio de la batería.**
3. **Cargue el cartucho de batería a una temperatura ambiente de 10 °C - 40 °C (50 °F - 104 °F). Si un cartucho de batería está caliente, déjelo enfriar antes de cargarlo.**
4. **Cargue el cartucho de batería si no va a utilizarlo durante un período prolongado (más de seis meses).**

DESCRIPCIÓN DE LAS PIEZAS



1	Motor	2	Etiqueta de seguridad	3	Caja de la bomba	4	Tuerca de retención del punzón
5	Punzón	6	Troquel	7	Separador	8	Bastidor en C
9	Supresor de deslizamiento	10	Palanca de retorno	11	Puerto de aceite	12	Gatillo interruptor
13	Botón de bloqueo del gatillo	14	Cartucho de batería	-	-	-	-

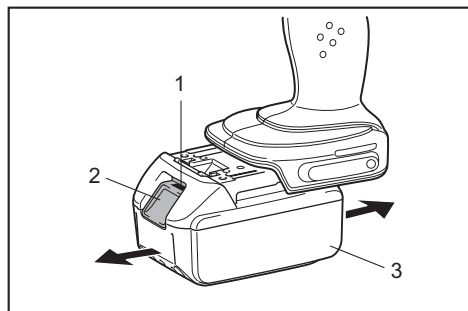
DESCRIPCIÓN DEL FUNCIONAMIENTO

⚠️ PRECAUCIÓN: Asegúrese siempre de que la herramienta esté apagada y el cartucho de batería haya sido extraído antes de realizar cualquier ajuste o comprobación en la herramienta.

Instalación o extracción del cartucho de batería

⚠️ PRECAUCIÓN: Apague siempre la herramienta antes de colocar o quitar el cartucho de batería.

⚠️ PRECAUCIÓN: Sujete la herramienta y el cartucho de la batería con firmeza al colocar o quitar el cartucho de batería. Si no se sujeta con firmeza la herramienta y el cartucho de batería, puede ocasionar que se resbalen de sus manos causando daños a la herramienta y al cartucho de batería, así como lesiones a la persona.



► 1. Indicador rojo 2. Botón 3. Cartucho de batería

Para quitar el cartucho de batería, deslícelo de la herramienta mientras desliza el botón sobre la parte delantera del cartucho.

Para colocar el cartucho de batería, alinee la lengüeta sobre el cartucho de batería con la ranura en la carcasa y deslice en su lugar. Inserte por completo hasta que se fije en su lugar con un pequeño clic. Si puede ver el indicador rojo del lado superior del botón, esto indica que no ha quedado fijo por completo.

⚠️ PRECAUCIÓN: Introduzca siempre completamente el cartucho de batería hasta que el indicador rojo no pueda verse. Si no, podría accidentalmente salirse de la herramienta y caer al suelo causando una lesión a usted o alguien a su alrededor.

⚠️ PRECAUCIÓN: No instale el cartucho de batería a la fuerza. Si el cartucho no se desliza al interior fácilmente, se debe a que no está siendo insertado correctamente.

Sistema de protección de batería

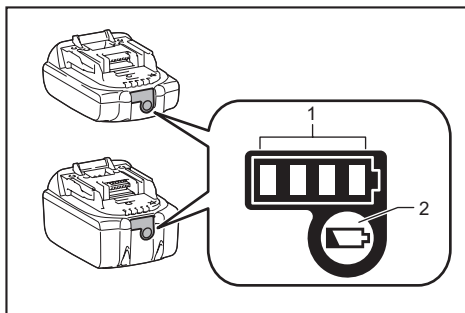
Esta herramienta está equipada con un sistema de protección de la batería. Este sistema corta automáticamente la alimentación al motor para prolongar la vida de la herramienta y la batería. La herramienta se detendrá automáticamente durante la operación si la herramienta o la batería se someten a la siguiente condición:

Protección contra descarga excesiva

Cuando la capacidad de la batería no es suficiente, la herramienta se detiene automáticamente. En este caso, retire la batería de la herramienta y cárguela.

Indicación de la capacidad restante de la batería

Únicamente para cartuchos de batería con el indicador



► 1. Luces indicadoras 2. Botón de verificación

Oprima el botón de verificación en el cartucho de la batería para que indique la capacidad restante de la batería. Las luces indicadoras se iluminarán por algunos segundos.

Luces indicadoras			Capacidad restante
Iluminadas	Apagadas	Parpadeando	
■ ■ ■ ■			75% a 100%
■ ■ ■ □			50% a 75%
■ ■ □ □			25% a 50%
■ □ □ □			0% a 25%
▣ □ □ □			Cargar la batería.
■ ■ □ □			La batería pudo haber funcionado mal.
□ □ ■ ■			

NOTA: Dependiendo de las condiciones de uso y la temperatura ambiente, la indicación podrá diferir ligeramente de la capacidad real.

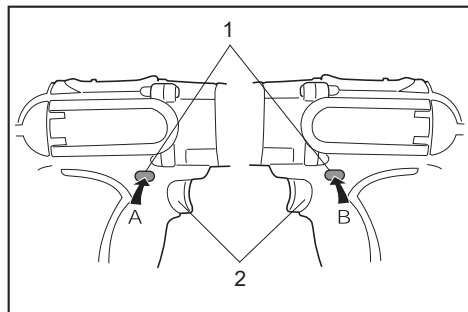
Accionamiento del interruptor

⚠PRECAUCIÓN: Antes de instalar el cartucho de batería en la herramienta, compruebe siempre que el gatillo interruptor se accione debidamente y que regrese a la posición de apagado una vez que se suelte.

⚠PRECAUCIÓN: Siempre bloquee el gatillo interruptor cuando no lo esté usando.

Cuando pefore una pieza de trabajo, continúe jalando del gatillo interruptor hasta que el punzón llegue al troquel y regrese a la posición de inicio.

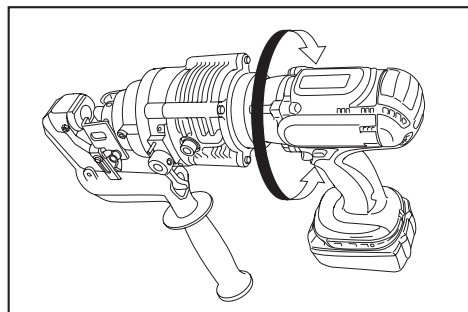
Para bloquear el gatillo interruptor, presione el botón de bloqueo del gatillo desde el lado B. Para desbloquear, oprima el botón de bloqueo del gatillo desde el lado A.



► 1. Botón de bloqueo del gatillo 2. Gatillo interruptor

Manija girable

La manija se puede hacer girar 360 grados en cualquier dirección durante la operación. Esta característica es particularmente útil cuando se trabaja en áreas incómodas o estrechas, ya que permite al operador colocar la herramienta en la mejor posición para una fácil operación.

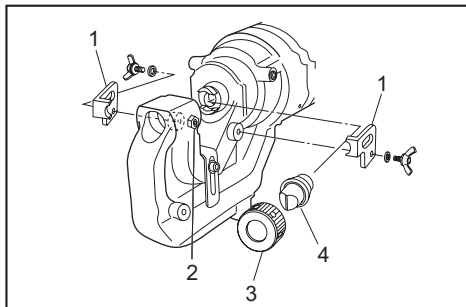


MONTAJE

⚠PRECAUCIÓN: Asegúrese siempre de que la herramienta esté apagada y el cartucho de batería haya sido extraído antes de realizar cualquier trabajo en la misma.

Reemplazo del punzón y troquel

Reemplazo del punzón redondo



► 1. Separador 2. Tuerca y perno fijador 3. Tuerca de retención del punzón 4. Punzón redondo

1. Asegúrese de que el pistón del punzón esté completamente retraído y retire los separadores para facilitar el acceso hacia las piezas.

2. El punzón deberá removerse primero, luego el troquel. Desenrosque la tuerca de retención del punzón para quitar el punzón y retire el perno fijador y la tuerca para quitar el troquel.

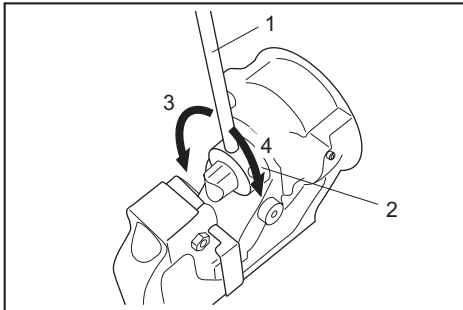
AVISO: Al reemplazar el punzón y el troquel, asegúrese de seleccionar el tamaño, grosor y forma de orificio correctos. Los punzones y troqueles con forma deben estar correctamente alineados entre sí.

3. Coloque el troquel en el bastidor en C en la orientación adecuada. Asegúrelo firmemente con el perno fijador y apriete la tuerca.

4. Coloque el punzón en la tuerca de retención del punzón. Inserte el punzón con la tuerca en el pistón del punzón y apriete a mano la tuerca.

AVISO: Al instalar un punzón con un borde escalonado (antirrotación), asegúrese de que la orientación sea correcta y que el borde escalonado esté colocado correctamente en el pistón del punzón.

5. Asegúrese de que el punzón esté colocado correctamente en el vástago del punzón y apriete firmemente la tuerca de retención del punzón con la barra de retención de tuerca suministrada.



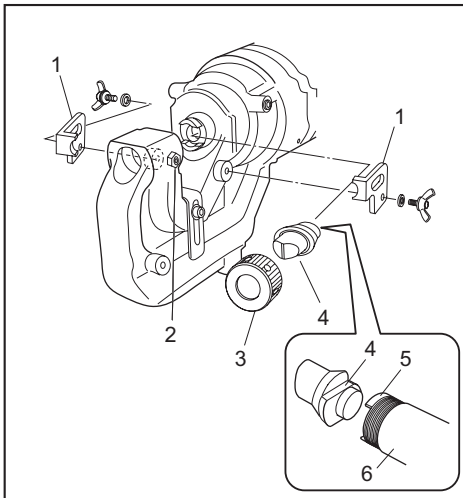
► 1. Barra de retención de tuerca 2. Tuerca de retención del punzón 3. Aflojar 4. Apretar

6. Coloque nuevamente los separadores.

ADVERTENCIA: Si el punzón y el troquel no son del mismo tamaño o el punzón y el troquel no están colocados correctamente, el punzón puede golpear el troquel y hacer que ambas partes se rompan. En tal caso, las piezas que salgan disparadas de las piezas rotas podrían ocasionar lesiones personales.

PRECAUCIÓN: Verifique los pernos de mariposa que sujetan el separador regularmente para asegurarse de que estén apretados. Los pernos sueltos podrían ocasionar que el separador se desprenda y dañen a la herramienta.

Reemplazo del punzón oblongo



► 1. Separador 2. Tuerca y perno fijador 3. Tuerca de retención del punzón 4. Punzón oblongo 5. Borde escalonado 6. Vástago del punzón

1. Asegúrese de que el pistón del punzón esté completamente retraído y retire los separadores para facilitar el acceso hacia las piezas.

2. El punzón deberá removerse primero, luego el troquel. Desenrosque la tuerca de retención del punzón para quitar el punzón y retire el perno fijador y la tuerca para quitar el troquel.

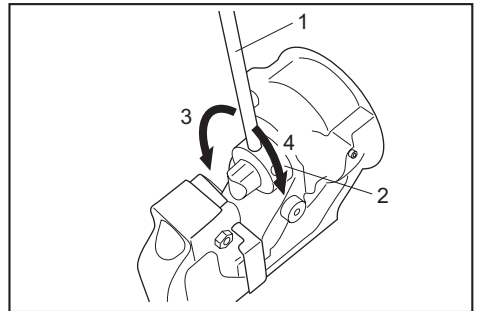
AVISO: Al reemplazar el punzón y el troquel, asegúrese de seleccionar el tamaño, grosor y forma de orificio correctos. Los punzones y troqueles con forma deben estar correctamente alineados entre sí.

3. Asegure el troquel oblongo firmemente con el perno fijador y apriete la tuerca.

4. Coloque el punzón oblongo dentro de la tuerca de retención del punzón. Coloque el borde escalonado del punzón oblongo adecuadamente en el pistón del punzón y apriete a mano la tuerca de retención del punzón.

AVISO: Si el borde escalonado del punzón oblongo no se inserta adecuadamente en el pistón del punzón, la tuerca de retención del punzón no podrá sujetarse. Asegúrese de que el punzón oblongo esté colocado correctamente en el vástago del punzón.

5. Empuje el punzón oblongo contra el vástago del punzón y apriete la tuerca de retención del punzón firmemente con la barra de retención de tuerca suministrada.



► 1. Barra de retención de tuerca 2. Tuerca de retención del punzón 3. Aflojar 4. Apretar

6. Coloque nuevamente los separadores.

ADVERTENCIA: Si el punzón y el troquel no son del mismo tamaño o el punzón y el troquel no están colocados correctamente, el punzón puede golpear el troquel y hacer que ambas partes se rompan. En tal caso, las piezas que salgan disparadas de las piezas rotas podrían ocasionar lesiones personales.

PRECAUCIÓN: Verifique los pernos de mariposa que sujetan el separador regularmente para asegurarse de que estén apretados. Los pernos sueltos podrían ocasionar que el separador se desprenda y dañen a la herramienta.

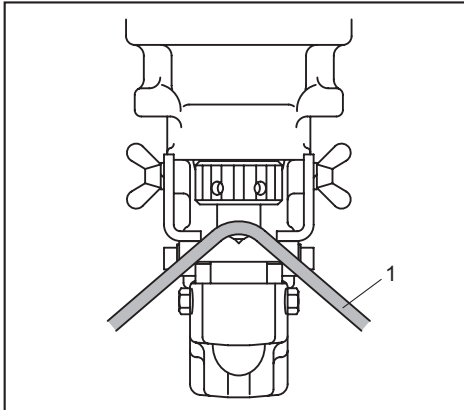
PRECAUCIÓN: Asegúrese de que el borde escalonado del punzón oblongo se coloque correctamente en el vástago del punzón y la tuerca de retención del punzón esté sujeta adecuadamente.

OPERACIÓN

Uso correcto de la herramienta

Selección del troquel

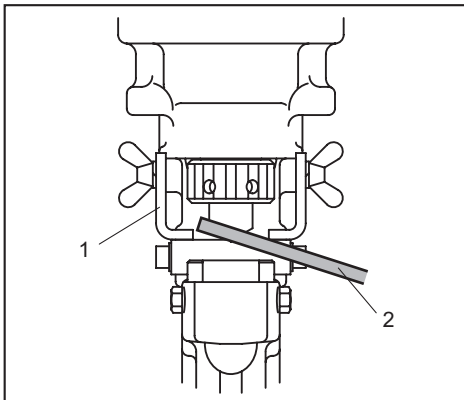
Es importante que el troquel que se utilizará sea correcto para el grosor de la pieza de trabajo que se va a perforar. Perforar la pieza de trabajo de 4 mm (5/32 ") a 8 mm (5/16 ") de grosor con un troquel para una pieza de trabajo más delgada puede hacer que el punzón se atasque en la pieza de trabajo. Esto se debe a la menor separación entre el troquel y el punzón. En tal caso, la pieza de trabajo será levantada por el punzón retráctil como se muestra en la figura. Debe tenerse especial cuidado cuando se perfora una barra plana de acero suave, aluminio y cobre.



► 1. Pieza de trabajo

Uso correcto del separador

No coloque la pieza de trabajo con uno o ambos extremos no apoyados en el separador. Si la pieza de trabajo no tiene el apoyo apropiado, se moverá cuando el punzón regrese. Esto podría ocasionar que el punzón se atasque y dañe a la herramienta.

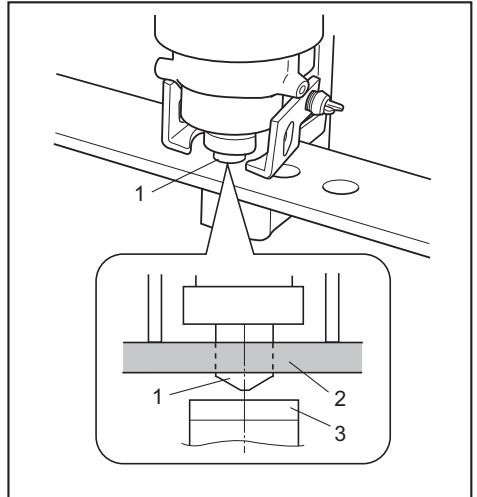


► 1. Separador 2. Pieza de trabajo

Perforación de un orificio

⚠PRECAUCIÓN: Antes de la perforación, asegúrese siempre de que estén correctamente instalados el punzón y el troquel adecuados.

1. Verifique la posición para la perforación.

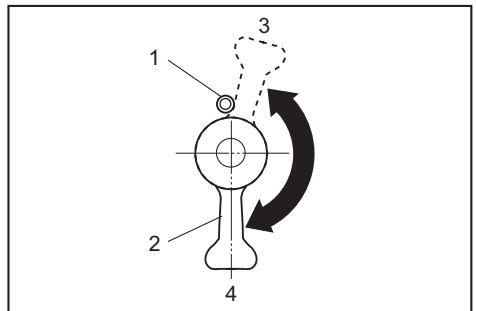


► 1. Punzón 2. Barra plana 3. Troquel

2. Afloje el tornillo de casquete en el supresor de deslizamiento y ajuste este a la posición deseada. Después de esto, apriete nuevamente el tornillo de casquete.

NOTA: El supresor de deslizamiento se fija para mantener el perforador a una distancia constante del borde de la pieza de trabajo.

3. Verifique que la palanca de retorno cierre por completo en el sentido de las manecillas del reloj.



► 1. Pasador de resorte 2. Palanca de retorno
3. Posición abierta 4. Posición cerrada

4. Verifique que el pistón del punzón esté retraído por completo.
5. Coloque el perforador en la posición requerida en la pieza de trabajo mediante el supresor de deslizamiento como guía. Alinee el punto del punzón con la marca central del orificio que se va a perforar.

6. Continúe jalando del gatillo interruptor hasta que el punzón alcance el final de su movimiento y regrese a la posición de inicio.

El vástago del punzón se extenderá y empujará el punzón a través de la pieza de trabajo.

NOTA: Para facilitar el posicionamiento preciso y fácil del punzón, jale el gatillo interruptor de forma intermitente para empujar el punzón hacia la pieza de trabajo. Si la posición no es satisfactoria, abra la palanca de retorno para retraer el punzón y realice otro intento. Si el punzón no vuelve a su posición inicial con la palanca de retorno abierta, jale del gatillo interruptor para regresar el punzón.

NOTA: Si el punzón no regresa después de que finaliza la perforación, suelte el gatillo interruptor para detener el motor y jale del gatillo interruptor nuevamente.

Si el punzón no regresa incluso después de realizar los procedimientos anteriores, ejecute los pasos para detener la operación antes de finalizar la perforación mencionada a continuación.

Detener la operación antes de finalizar la perforación

Si desea detener la operación antes de finalizar la perforación, siga los procedimientos a continuación:

1. Gire la palanca de retorno en el sentido contrario a las manecillas del reloj hasta que golpee el pasador de resorte y luego vuelva inmediatamente a su posición inicial.

El hacer esto libera la presión interna de la herramienta. Si el punzón se retrae de la pieza de trabajo por su propia fuerza, permita que el punzón regrese por completo. Después de eso, gire la palanca de retorno a su posición inicial. En este caso, el paso siguiente no es necesario.

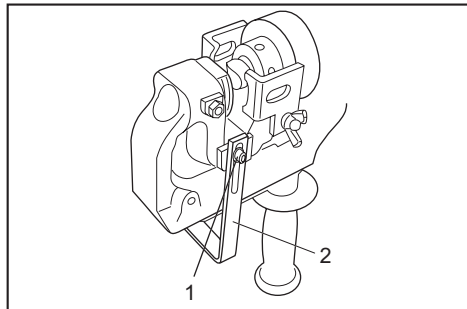
2. Continúe jalando del gatillo interruptor hasta que el punzón regrese a su posición de inicio.

Uso del supresor de deslizamiento para máxima profundidad

Accesorio opcional

PRECAUCIÓN: Antes de colocar o quitar el supresor de deslizamiento, asegúrese de retirar el cartucho de batería para evitar un funcionamiento accidental y lesiones personales.

Se puede perforar hasta una profundidad de 40 mm (1-37/64") desde el borde de la pieza de trabajo con el supresor de deslizamiento opcional.



► 1. Perno y arandela 2. Supresor de deslizamiento opcional

1. Afloje el perno fijador y la tuerca para quitar el troquel.
2. Retire el perno y la arandela que fijan el supresor de deslizamiento.
3. Retire el supresor de deslizamiento tirando de él hacia el lado superior del bastidor en C.
4. Inserte el supresor de deslizamiento opcional para una profundidad máxima desde el lado inferior del bastidor en C.
5. Fije el supresor de deslizamiento opcional con el perno y arandela retirados en el paso 2.
6. Instale el troquel con el perno fijador y la tuerca retiradas en el paso 1.

MANTENIMIENTO

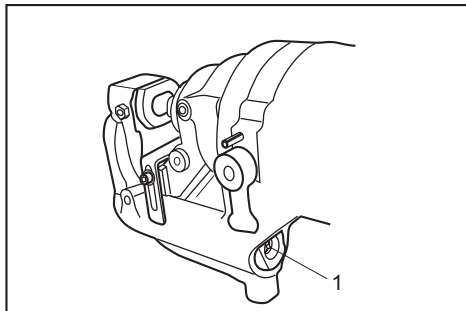
PRECAUCIÓN: Asegúrese siempre de que la herramienta esté apagada y el cartucho de batería extraído antes de intentar realizar una inspección o mantenimiento.

AVISO: Nunca use gasolina, bencina, diluyente (tíner), alcohol o sustancias similares. Puede que esto ocasione grietas o descoloramiento.

Para mantener la SEGURIDAD y FIABILIDAD del producto, las reparaciones, y cualquier otra tarea de mantenimiento o ajuste deberán ser realizadas en centros de servicio autorizados o de fábrica Makita, empleando siempre repuestos Makita.

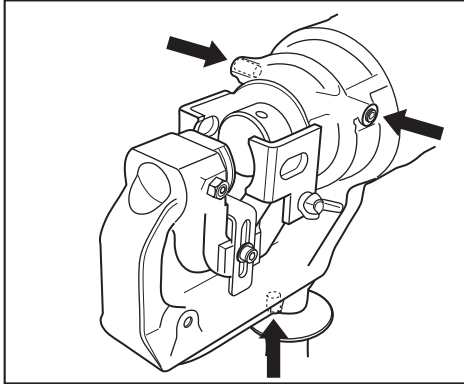
Mantenimiento regular

Mantenga el respiradero en el extremo del bastidor en C libre de suciedad y obstrucciones. El respiradero tiene que estar abierto para controlar la presión hidráulica.



► 1. Respiradero

No desatornille o retire los tres tornillos como se muestra en la ilustración. El hacerlo podría ocasionar que el aceite escurra de la herramienta.



Cómo añadir aceite

Esta herramienta es electrohidráulica. Cuando sale de fábrica, se llenó con aceite. No intente añadir aceite, siempre y cuando la herramienta funcione correctamente. Cuando la presión de aceite no es suficiente para una operación adecuada, añada aceite en los siguientes procedimientos.

AVISO: Asegúrese de que el área de trabajo y todo el equipo estén limpios para que no ingrese suciedad, polvo u otros materiales extraños al aceite hidráulico o al área de la bomba.

AVISO: Utilice únicamente aceite hidráulico puro recomendado por Makita. Para evitar daños en los sellos y en otros componentes internos de la máquina, no use otro aceite mas que el que se enumera a continuación.

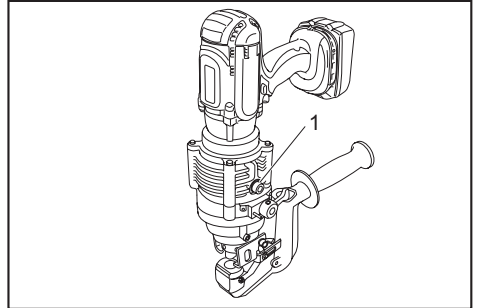
Aceite recomendado:

- Aceite hidráulico de Makita
- Super Hyrando #46 (JXTG Nippon Oil & Energy Corp.)
- Shell Tellus Plus #46 (U.S. Shell)
- Aceite hidráulico con especificación antidesgaste equivalente, grado de viscosidad ISO 46.

1. Instale el cartucho de batería en la herramienta.
2. Deposite la herramienta sobre su lado izquierdo, para que el puerto de aceite quede orientado hacia arriba.
3. Utilice la herramienta para mover la posición del punzón casi hasta el final de su movimiento.

NOTA: Si es necesario, ponga en funcionamiento la herramienta para que haga varios movimientos. Hacerlo le permite determinar la parte inferior del movimiento y también colocar el pistón del punzón correctamente. En la posición correcta, se ha extraído la cantidad máxima de aceite de la bomba y se puede obtener la cantidad adecuada de aceite para rellenar.

4. Retire el cartucho de batería de la herramienta.
5. Retire con cuidado el tornillo de casquete de cabeza hueca para abrir el puerto de aceite.



► 1. Tornillo de casquete de cabeza hueca

6. Llene el depósito con aceite hidráulico mediante la pequeña botella de compresión que se suministra con la herramienta.
7. Balancee la herramienta hacia adelante y hacia atrás varias veces para liberar las burbujas de aire atrapadas. Después de eso, agregue aceite adicional según sea necesario.
8. Vuelva a colocar el tornillo de casquete de cabeza hueca y limpie el exceso de aceite.
9. Instale el cartucho de batería y ponga a funcionar la herramienta para que haga varios movimientos con la palanca de retorno en la posición abierta. Después de esto, ponga a funcionar la herramienta nuevamente con la palanca de retorno en la posición cerrada.

Hacer esto purga el aire atrapado fuera del sistema. Repita este procedimiento para cerciorarse que el pistón del punzón esté casi hasta el final de su movimiento.

10. Añada aceite adicional como sea necesario al repetir los pasos 3 a 9.

Si el aceite se consume en exceso, deberá repetir este procedimiento varias veces.

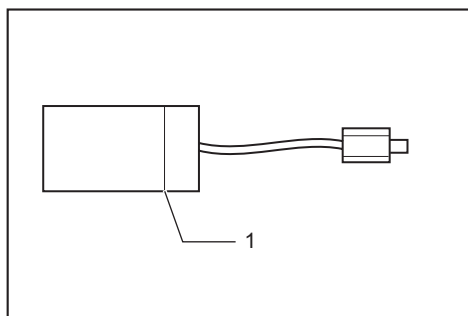
Reemplazo de las escobillas de carbón

Reemplace las escobillas de carbón cuando se desgasten hasta la marca límite.

AVISO: Mantenga las escobillas de carbón limpias y de forma que entren libremente en los portaescobillas.

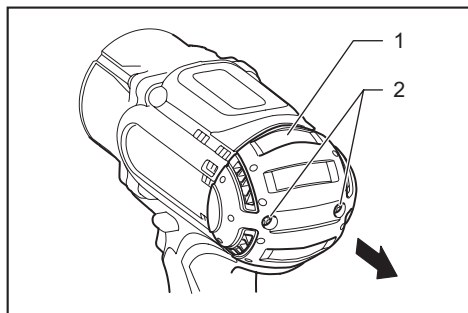
AVISO: Ambas escobillas de carbón deberán ser sustituidas al mismo tiempo.

AVISO: Utilice únicamente escobillas de carbón idénticas.



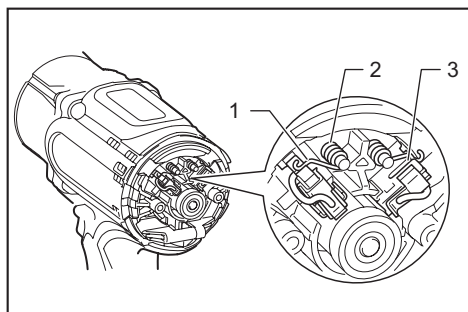
► 1. Marca límite

1. Retire dos tornillos en la cubierta posterior mediante un destornillador y luego extraiga la cubierta posterior.



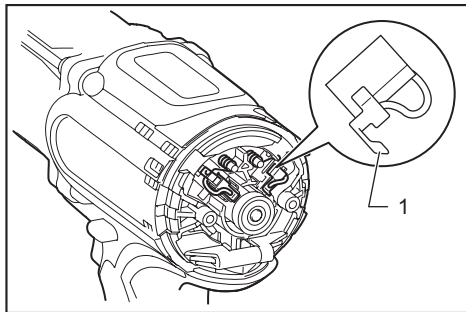
► 1. Cubierta posterior 2. Tornillo

2. Levante la parte del brazo del resorte y después póngalo en la parte empotrada del alojamiento con un destornillador de punta plana o similar.



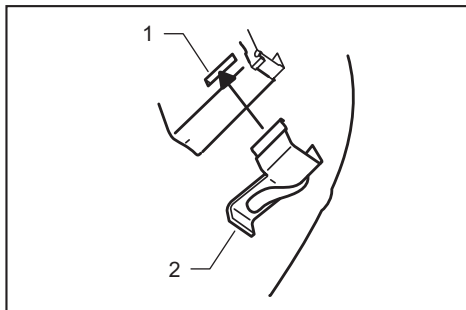
► 1. Brazo 2. Resorte 3. Parte empotrada

3. Retire las tapas de las escobillas de carbón de las escobillas de carbón con unos alicates y luego retire las escobillas de carbón desgastadas. Inserte las nuevas escobillas de carbón y coloque las tapas de las escobillas de carbón.



► 1. Tapa de la escobilla de carbón

4. Asegúrese de que las tapas de las escobillas de carbón hayan encajado en forma segura en los orificios de los portaescobillas.



► 1. Orificio 2. Tapa de la escobilla de carbón

5. Vuelva a instalar la cubierta posterior y apriete los dos tornillos firmemente.

RESOLUCIÓN DE PROBLEMAS

Antes de solicitar alguna reparación, primero realice una inspección por su cuenta. Si detecta algún problema que no esté explicado en el manual, no intente desensamblar la herramienta. En vez de esto, solicite la reparación a un centro de servicio autorizado de Makita, usando siempre piezas de repuesto Makita.

Estado de la anomalía	Causa probable (avería)	Remedio
El pistón del punzón no saldrá.	El aceite es insuficiente	Rellene el aceite.
	El pistón del punzón no ha regresado por completo debido a las rebabas de las varillas, el polvo de hierro y la suciedad en la parte deslizante del pistón del punzón y el bastidor en C.	Presione hacia atrás el pistón del punzón. Limpie el pistón del punzón.
	El pistón del punzón no ha regresado completamente debido a la distorsión o hinchazón del pistón del punzón.	Solicite la reparación en el centro de servicio autorizado de su localidad.
	El pistón del punzón no ha regresado completamente debido a que el resorte de retorno ya no está tenso.	Solicite la reparación en el centro de servicio autorizado de su localidad.
Aunque sale el pistón del punzón, el poder de corte es demasiado débil para perforar un orificio.	El aceite es insuficiente.	Rellene el aceite.
	El contacto entre el cilindro y la válvula de liberación es inadecuado. Puede haber rayones en la chimenea del cilindro o polvo de hierro o suciedad adheridas allí.	Solicite la reparación al centro de servicio autorizado de su localidad.
	Ruptura de la válvula de liberación.	Solicite la reparación en el centro de servicio autorizado de su localidad.
	Separación inadecuada entre el cilindro y el pistón.	Solicite la reparación en el centro de servicio autorizado de su localidad.
	Contacto inadecuado entre el cilindro y la válvula de retención.	Solicite la reparación en el centro de servicio autorizado de su localidad.
	Ruptura del empaque de uretano del cilindro.	Solicite la reparación en el centro de servicio autorizado de su localidad.
Escurre aceite.	Rayones o ruptura del saco del nivelador de aceite.	Solicite la reparación en el centro de servicio autorizado de su localidad.
	Rayones en la parte deslizante del bastidor en C y del pistón del punzón y en el anillo de refuerzo.	Solicite la reparación en el centro de servicio autorizado de su localidad.
	Ruptura del anillo en O en la unión del bastidor en C y del cilindro.	Solicite la reparación en el centro de servicio autorizado de su localidad.
	Ruptura del foro en la unión del cilindro y de la caja de la bomba.	Solicite la reparación en el centro de servicio autorizado de su localidad.
	Apriete insuficiente de los pernos en las piezas respectivas.	Apriete pernos.
El motor no se mueve. Rotación deficiente del motor.	Carga insuficiente del cartucho de batería.	Cargue el cartucho de batería.
	El ciclo de duración de la batería se agotó.	Reemplace el cartucho de batería.
	Ruptura del motor por sobrecalentamiento.	Solicite la reparación en el centro de servicio autorizado de su localidad.
	Deformación o ruptura de los rodamientos y de los engranes conectados al motor.	Solicite la reparación en el centro de servicio autorizado de su localidad.

⚠PRECAUCIÓN: Los componentes internos de la bomba tienen separaciones muy estrechas y son sensibles al daño del polvo, la suciedad, la contaminación del fluido hidráulico o a la manipulación inadecuada. El desmontaje de la carcasa de la bomba requiere herramientas y capacitación especiales y solo debe intentarlo el personal de reparación que haya recibido la capacitación adecuada y que cuente con el equipo adecuado. El mantenimiento inadecuado de los componentes eléctricos puede conducir a condiciones que podrían causar lesiones graves. Los componentes de la bomba y del pistón y todos los componentes eléctricos deben ser reparados solo por un taller de reparación, un concesionario o un distribuidor autorizados.

AVISO: Cualquier intento por parte de personal no autorizado de reparar los componentes internos del área de la bomba anulará la garantía.

ACCESORIOS OPCIONALES

⚠PRECAUCIÓN: Estos accesorios o aditamentos están recomendados para utilizarse con su herramienta Makita especificada en este manual.

El empleo de cualquier otro accesorio o aditamento puede conllevar el riesgo de lesiones personales.

Utilice los accesorios o aditamentos solamente para su fin establecido.

Si necesita cualquier ayuda para más detalles en relación con estos accesorios, pregunte a su centro de servicio local Makita.

- Soporte de trabajo
- Supresor de deslizamiento (profundidad máx. de garganta)
- Batería y cargador originales de Makita

NOTA: Algunos de los artículos en la lista pueden incluirse en el paquete de la herramienta como accesorios estándar. Éstos pueden variar de país a país.

< USA only >

WARNING

Some dust created by power sanding, sawing, grinding, drilling, and other construction activities contains chemicals known to the State of California to cause cancer, birth defects or other reproductive harm. Some examples of these chemicals are:

- lead from lead-based paints,
- crystalline silica from bricks and cement and other masonry products, and
- arsenic and chromium from chemically-treated lumber.

Your risk from these exposures varies, depending on how often you do this type of work. To reduce your exposure to these chemicals: work in a well ventilated area, and work with approved safety equipment, such as those dust masks that are specially designed to filter out microscopic particles.

< Sólo en los Estados Unidos >

ADVERTENCIA

Algunos polvos creados por el lijado, aserrado, esmerilado, taladrado y otras actividades de la construcción contienen sustancias químicas reconocidas por el Estado de California como causantes de cáncer, defectos de nacimiento y otros peligros de reproducción. Algunos ejemplos de estos productos químicos son:

- plomo de pinturas a base de plomo,
- sílice cristalino de ladrillos y cemento y otros productos de albañilería, y
- arsénico y cromo de maderas tratadas químicamente.

El riesgo al que se expone varía, dependiendo de la frecuencia con la que realice este tipo de trabajo. Para reducir la exposición a estos productos químicos: trabaje en un área bien ventilada y póngase el equipo de seguridad indicado, tal como las máscaras contra polvo que están especialmente diseñadas para filtrar partículas microscópicas.

Makita Corporation

3-11-8, Sumiyoshi-cho,
Anjo, Aichi 446-8502 Japan

www.makita.com

XPP01-NA2-1907
XPP01-1
EN, ESMX
20190925