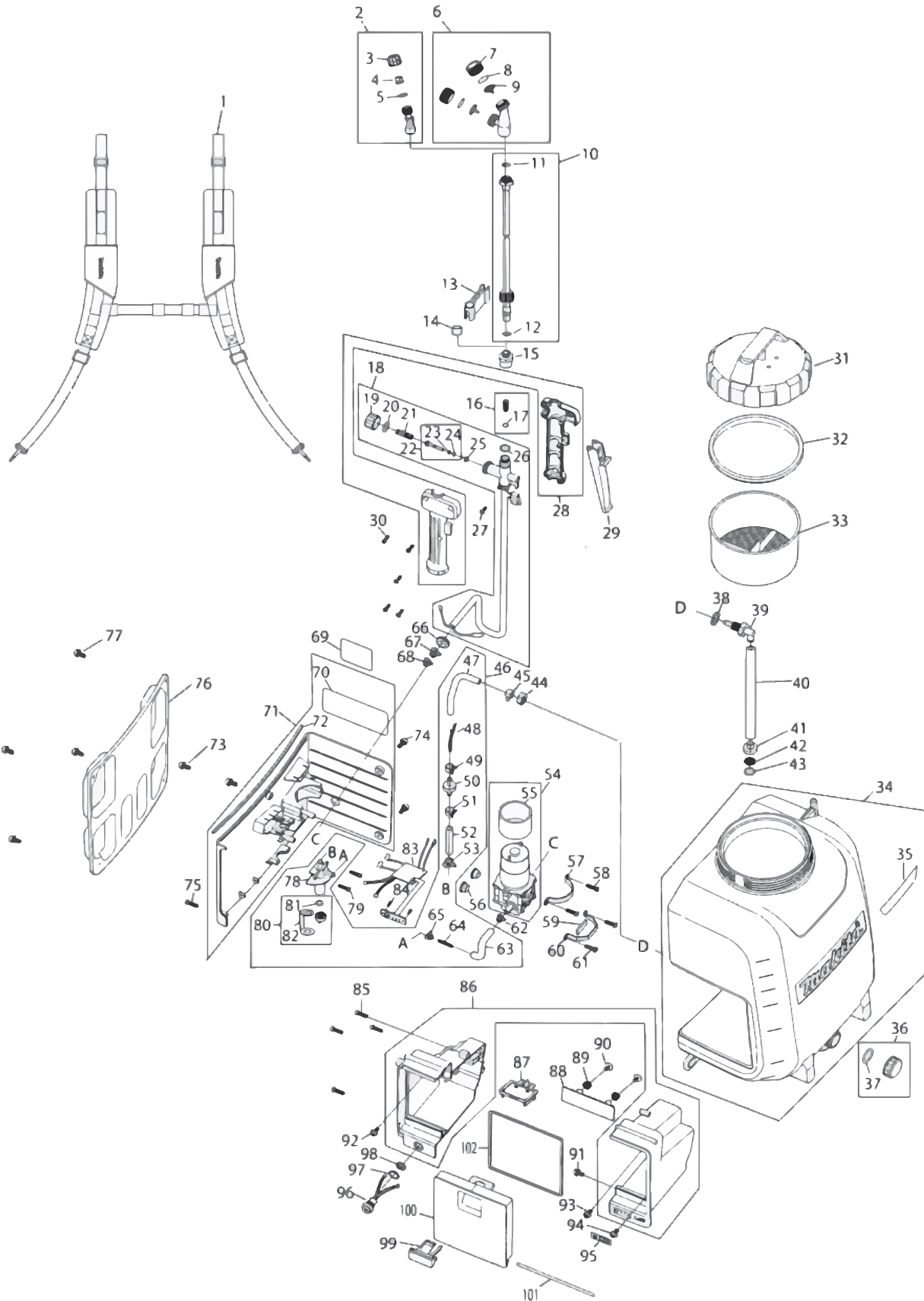




XSU02



Products with multiple versions are listed in subsiding order with the newest version on top not indented.

Section	Fig. No.	Part No.	Description	XSU02	Tech Bulletin	Notes
1	1	PR00000319	HARNESSE LR SET	1		
1	2	PR00000251	SINGLE NOZZLE ASSY	1		INC. 3-5
1	3	PR00000252	CAP NUT	1		
1	4	PR00000253	SPRAYER NOZZLE	1		
1	5	PR00000254	O-RING 12X2	1		
1	6	PR00000255	TWIN HEAD MIST NOZZLE ASSY	1		INC. 7-9
1	7	PR00000256	CAP NUT	2		
1	8	PR00000257	CUPPER DISK	2		
1	9	PR00000258	SPRAY CORE	2		
1	10	PR00000260	SPRAY WAND ASSY	1		INC. 11,12
1	11	PR00000259	GASKET 11.5	1		
1	12	PR00000186	O RING 6X2	1		
1	13	PR00000314	HOOK FOR SPRAY WAND	1		
1	14	PR00000263	RUBBER CAP	1		
1	15	PR00000264	SPRAY WAND THREAD ADAPTOR	1		
1	16	PR00000147	FILTER ASSEMBLY	1		INC. 17
1	17	PR00000146	O SEAL RING 4.5X1.5	1		
1	18	PR00000266	HOSE WITH SWITCH ASSY	1		INC. 19-22,25,26
1	19	PR00000152	LOCK COVER	1		
1	20	PR00000254	O-RING 12X2	1		
1	21	PR00000150	SPRING	1		
1	22	PR00000151	VALVE ROD	1		INC. 23,24
1	23	PR00000205	O RING 3X1.5	1		
1	24	PR00000205	O RING 3X1.5	1		
1	25	PR00000186	O RING 6X2	1		
1	26	PR00000149	O RING 8X1.8	1		
1	27	PR00000182	TAPPING SCREW ST2.9X12	1		
1	28	PR00000153	HANDLE SET	1		
1	29	PR00000148	HANDLE TRIGGER ASSEMBLY	1		
1	30	PR00000182	TAPPING SCREW ST2.9X12	5		
1	31	PR00000316	TANK LID	1		
1	32	PR00000315	TANK LID SEALING LID	1		
1	33	PR00000313	TANK FILTER	1		
1	34	PR00000320	4GAL. TANK FOR USA	1		INC. 35
1	35	PR00000474	4GAL. MODEL LABEL FOR USA	1		

Products with multiple versions are listed in subsiding order with the newest version on top not indented.

Section	Fig. No.	Part No.	Description	XSU02	Tech Bulletin	Notes
1	36	PR00000312	DRAIN PLUG ASSY	1		INC. 37
1	37	PR00000479	O-RING 21.2X2.65	1		
1	38	PR00000259	GASKET 11.5	1		
1	39	PR00000265	TANK ELBOW JOINT	1		
1	40	PR00000280	TUBE 8X230	1		
1	41	PR00000279	SUCTION HEAD	1		
1	42	PR00000278	NET FILTER FOR SUCTION HEAD	1		
1	43	PR00000277	O-RING 17.5X3	1		
1	44	PR00000262	PLASTIC NUT 1/2"	1		
1	45	PR00000261	HOSE CLIP	1		
1	46	PR00000287	SUCTION TUBE SET	1		INC. 47-53,63-65,78,80
1	47	PR00000281	TUBE 6X140	1		
1	48	PR00000282	SPRING 5X127	1		
1	49	PR00000261	HOSE CLIP	1		
1	50	PR00000283	CHECK VALVE ASSEMBLY	1		
1	51	PR00000261	HOSE CLIP	1		
1	52	PR00000284	TUBE 6X55	1		
1	53	PR00000184	SNAPPER HOSE CLAMP (L)	1		
1	54	PR00000270	PUMP UNIT WITH MOTOR	1		INC. 55
1	55	PR00000268	ANTI VIBRATION RING	1		
1	56	PR00000292	ANTI VIBRATION PAD	2		
1	57	PR00000272	MOTOR FIXED PLATE	1		
1	58	PR00000271	TAPPING SCREW ST4.0X16	2		
1	59	PR00000274	RUBBER SHEET	1		
1	60	PR00000273	PUMP FIXED PLATE	1		
1	61	PR00000271	TAPPING SCREW ST4.0X16	2		
1	62	PR00000267	SNAPPER HOSE CLAMP (M)	1		
1	63	PR00000275	TUBE 6X90	1		
1	64	PR00000276	SPRING	1		
1	65	PR00000267	SNAPPER HOSE CLAMP (M)	1		
1	66	PR00000155	GROMMET	1		
1	67	PR00000184	SNAPPER HOSE CLAMP (L)	1		
1	68	PR00000267	SNAPPER HOSE CLAMP (M)	1		
1	70	PR00000350	WARNING LABEL US CA MX	1		
1	71	PR00000468	PUMP HOUSING ASSY US	1		INC. 70,72

Products with multiple versions are listed in subsiding order with the newest version on top not indented.

Section	Fig. No.	Part No.	Description	XSU02	Tech Bulletin	Notes
1	72	PR00000290	SEALING STRIP	1		
1	73	PR00000288	PAN HEAD SCREW M5X12 WITH WR	2		
1	74	PR00000288	PAN HEAD SCREW M5X12 WITH WR	2		
1	75	PR00000271	TAPPING SCREW ST4.0X16	1		
1	76	PR00000289	BACK PAD	1		
1	77	PR00000288	PAN HEAD SCREW M5X12 WITH WR	4		
1	78	PR00000285	BASE	1		
1	79	PR00000271	TAPPING SCREW ST4.0X16	2		
1	80	PR00000286	KNOB LOCK CAP ASSEMBLY	1		INC. 81,82
1	81	PR00000186	O RING 6X2	1		
1	82	PR00000475	KNOB LOCK CAP STRAP	1		
1	83	PR00000295	PCB	1		
1	84	PR00000293	TAPPING SCREW ST2.9X10	2		
1	85	PR00000271	TAPPING SCREW ST4.0X16	4		
1	86	PR00000297	BATTERY HOUSING SET	1		
1	87	PR00000302	BATTERY TERMINAL	1		
1	88	PR00000130	DAM-BOARD	1		
1	89	PR00000194	SPRING	2		
1	90	PR00000132	TAPPING SCREW ST4.0X12	2		
1	91	PR00000288	PAN HEAD SCREW M5X12 WITH WR	1		
1	92	PR00000288	PAN HEAD SCREW M5X12 WITH WR	1		
1	93	PR00000288	PAN HEAD SCREW M5X12 WITH WR	1		
1	94	PR00000288	PAN HEAD SCREW M5X12 WITH WR	1		
1	95	PR00000307	INDICATION LABEL	1		
1	96	PR00000299	SWITCH	1		
1	97	PR00000298	SWITCH GASKET	1		
1	98	PR00000300	HEX NUT(SWITCH)	1		
1	99	PR00000304	BATTERY COVER CLIP	1		
1	100	PR00000305	BATTERY COVER	1		
1	101	PR00000306	SHAFT 3X136	1		
1	102	PR00000303	BATTERY COVER SEAL PAD	1		
1	A01	PR00000318	MEASURING CUP(OZ)	1		NOT PICTURED