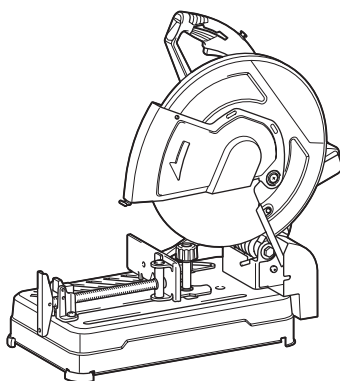


**INSTRUCTION MANUAL
MANUAL DE INSTRUCCIONES**



Cordless Portable Cut-off Tronzadora Portátil Inalámbrica

XWL01



IMPORTANT: Read Before Using.

IMPORTANTE: Lea antes de usar.

SPECIFICATIONS

Model:		XWL01
Wheel diameter		355 mm (14")
Hole diameter		25.4 mm (1")
Max. wheel thickness		3 mm (1/8")
No load speed (RPM)		3,800 /min
Rated voltage		D.C. 36 V
Dimensions (L x W x H)	With safety guard other than European type	537 mm x 280 mm x 640 mm (21-1/8" x 11" x 25-1/4")
Net weight	With safety guard other than European type	15.6 - 16.3 kg (34.5 - 35.9 lbs)

- Due to our continuing program of research and development, the specifications herein are subject to change without notice.
- Specifications may differ from country to country.
- The weight may differ depending on the attachment(s), including the battery cartridge. The lightest and heaviest combination, according to EPTA-Procedure 01/2014, are shown in the table.
- The shape and weight vary depending on the specifications which differ country to country.

Applicable battery cartridge and charger

Battery cartridge	BL1815N / BL1820B / BL1830 / BL1830B / BL1840B / BL1850B / BL1860B
Charger	DC18RC / DC18RD / DC18RE / DC18SD / DC18SE / DC18SF

- Some of the battery cartridges and chargers listed above may not be available depending on your region of residence.

⚠WARNING: Only use the battery cartridges and chargers listed above. Use of any other battery cartridges and chargers may cause injury and/or fire.

SAFETY WARNINGS

**For Your Own Safety, Read Instruction Manual Before Operating Tool.
Wear Eye Protection.
Save it for future reference.**

General safety precautions (For all tools)

1. **KNOW YOUR POWER TOOL.** Read the owner's manual carefully. Learn the tool's applications and limitations, as well as the specific potential hazards peculiar to it.
2. **KEEP GUARDS IN PLACE** and in working order.
3. **REMOVE ADJUSTING KEYS AND WRENCHES.** Form habit of checking to see that keys and adjusting wrenches are removed from tool before turning it on.
4. **KEEP WORK AREA CLEAN.** Cluttered areas and benches invite accidents.
5. **DO NOT USE IN DANGEROUS ENVIRONMENT.** Do not use power tools in damp or wet locations, or expose them to rain. Keep work area well lighted. Do not use tool in presence of flammable liquids or gases.
6. **KEEP CHILDREN AWAY.** All visitors should be kept safe distance from work area.
7. **MAKE WORKSHOP KID PROOF** with padlocks, master switches, or by removing starter keys.
8. **DO NOT FORCE TOOL.** It will do the job better and safer at the rate for which it was designed.
9. **USE RIGHT TOOL.** Do not force tool or attachment to do a job for which it was not designed.
10. **WEAR PROPER APPAREL.** Do not wear loose clothing, gloves, neckties, rings, bracelets, or other jewelry which may get caught in moving parts. Nonslip footwear is recommended. Wear protective hair covering to contain long hair.
11. **ALWAYS USE SAFETY GLASSES.** Also use face or dust mask if cutting operation is dusty. Everyday eyeglasses only have impact resistant lenses, they are NOT safety glasses.
12. **SECURE WORK.** Use clamps or a vise to hold work when practical. It's safer than using your hand and it frees both hands to operate tool.
13. **DO NOT OVERREACH.** Keep proper footing and balance at all times.
14. **MAINTAIN TOOLS WITH CARE.** Keep tools sharp and clean for best and safest performance. Follow instructions for lubricating and changing accessories.
15. **DISCONNECT BATTERY FROM TOOL** before servicing; when changing accessories such as blades, bits, cutters, and the like.

16. **REDUCE THE RISK OF UNINTENTIONAL STARTING.** Make sure switch is in off position before inserting battery.
17. **USE RECOMMENDED ACCESSORIES.** Consult the owner's manual for recommended accessories. The use of improper accessories may cause risk of injury to persons.
18. **NEVER STAND ON TOOL.** Serious injury could occur if the tool is tipped or if the cutting tool is unintentionally contacted.
19. **CHECK DAMAGED PARTS.** Before further use of the tool, a guard or other part that is damaged should be carefully checked to determine that it will operate properly and perform its intended function - check for alignment of moving parts, binding of moving parts, breakage of parts, mounting, and any other conditions that may affect its operation. A guard or other part that is damaged should be properly repaired or replaced.
20. **DIRECTION OF FEED.** Feed work into a blade or cutter against the direction of rotation of the blade or cutter only.
21. **NEVER LEAVE TOOL RUNNING UNATTENDED.** TURN POWER OFF. Do not leave tool until it comes to a complete stop.
22. **REPLACEMENT PARTS.** When servicing, use only identical replacement parts.

Battery tool use and care

1. **Ensure the switch is in the off position before inserting battery cartridge.** Inserting the battery cartridge into power tools that have the switch on invites accidents.
2. **Recharge only with the charger specified by the manufacturer.** A charger that is suitable for one type of battery cartridge may create a risk of fire when used with another battery cartridge.
3. **Use power tools only with specifically designated battery cartridges.** Use of any other battery cartridges may create a risk of injury and fire.
4. **When battery cartridge is not in use, keep it away from other metal objects like paper clips, coins, keys, nails, screws, or other small metal objects that can make a connection from one terminal to another.** Shorting the battery terminals together may cause burns or a fire.
5. **Under abusive conditions, liquid may be ejected from the battery; avoid contact.** If contact accidentally occurs, flush with water. If liquid contacts eyes, additionally seek medical help. Liquid ejected from the battery may cause irritation or burns.
6. **Disconnect battery cartridge from tool or place the switch in the locked or off position before making any adjustments, changing accessories, or storing the tool.** Such preventive safety measures reduce the risk of starting the tool accidentally.
7. **Have your power tool serviced by a qualified repair person using only identical replacement parts.** This will ensure that the safety of the power tool is maintained.
8. **Do not use a battery pack or tool that is damaged or modified.** Damaged or modified batteries may exhibit unpredictable behaviour resulting in fire, explosion or risk of injury.

9. **Do not expose a battery pack or tool to fire or excessive temperature.** Exposure to fire or temperature above 130 °C may cause explosion.
10. **Follow all charging instructions and do not charge the battery pack or tool outside the temperature range specified in the instructions.** Charging improperly or at temperatures outside the specified range may damage the battery and increase the risk of fire.

Specific safety rules

DO NOT let comfort or familiarity with product (gained from repeated use) replace strict adherence to portable cut-off safety rules. If you use this tool unsafely or incorrectly, you can suffer serious personal injury.

1. **Wear hearing protection during extended period of operation.**
2. **Use only wheels having a maximum operating speed at least as high as "No Load RPM" marked on the tool's nameplate.** Use only fiberglass-reinforced cut-off wheels.
3. **Check the cut-off wheel carefully for cracks or damage before operation.** Replace cracked or damaged wheel immediately. Run the tool (with guard) at no load for about a minute, holding tool away from others. If wheel is flawed, it will likely separate during this test.
4. **Secure the cut-off wheel carefully.**
5. **Use only flanges specified for this tool.**
6. **Be careful not to damage the spindle, flanges (especially the installing surface) or bolt.** Damage to these parts could result in wheel breakage.
7. **Do not operate the tool without guards in place.** Check the wheel guard for proper closing before each use. Do not operate the tool if wheel guard does not move freely and close instantly. Never clamp or tie the wheel guard into the open position.
8. **Hold the handle firmly.**
9. **Keep hands away from rotating parts.**
10. **Make sure the cut-off wheel is not contacting the workpiece before the switch is turned on.**
11. **Before using the tool on an actual workpiece, let it run for a while.** Watch for vibration or wobbling that could indicate poor installation or a poorly balanced wheel.
12. **Watch out for flying sparks when operating.** They can cause injury or ignite combustible materials.
13. **Remove material or debris from the area that might be ignited by sparks.** Be sure that others are not in the path of the sparks. Keep a proper, charged fire extinguisher closely available.
14. **Use the cutting edge of the cut-off wheel only.** Never use side surface.
15. **Do not attempt to keep the trigger in the ON position.**
16. **If the cut-off wheel stops during operation, makes an odd noise or begins to vibrate, switch off the tool immediately.**


17. Turn off the tool and wait for the cut-off wheel to stop before moving workpiece or changing settings.
18. Do not touch the workpiece immediately after operation; it is extremely hot and could burn your skin.
19. Store wheels in a dry location only.
20. Before each use, watch for flutter or excessive vibration that might be caused by poor installation or a poorly balanced wheel.
8. Be careful not to drop or strike battery.
9. Do not use a damaged battery.
10. The contained lithium-ion batteries are subject to the Dangerous Goods Legislation requirements.
For commercial transports e.g. by third parties, forwarding agents, special requirement on packaging and labeling must be observed.
For preparation of the item being shipped, consulting an expert for hazardous material is required. Please also observe possibly more detailed national regulations.
Tape or mask off open contacts and pack up the battery in such a manner that it cannot move around in the packaging.

SAVE THESE INSTRUCTIONS.

⚠WARNING: MISUSE or failure to follow the safety rules stated in this instruction manual may cause serious personal injury.

Symbols

The followings show the symbols used for tool.

v		volts
		direct current
n₀		no load speed
... /min r /min		revolutions or reciprocation per minute

Important safety instructions for battery cartridge

1. Before using battery cartridge, read all instructions and cautionary markings on (1) battery charger, (2) battery, and (3) product using battery.
2. Do not disassemble battery cartridge.
3. If operating time has become excessively shorter, stop operating immediately. It may result in a risk of overheating, possible burns and even an explosion.
4. If electrolyte gets into your eyes, rinse them out with clear water and seek medical attention right away. It may result in loss of your eyesight.
5. Do not short the battery cartridge:
 - (1) Do not touch the terminals with any conductive material.
 - (2) Avoid storing battery cartridge in a container with other metal objects such as nails, coins, etc.
 - (3) Do not expose battery cartridge to water or rain.

A battery short can cause a large current flow, overheating, possible burns and even a breakdown.
6. Do not store the tool and battery cartridge in locations where the temperature may reach or exceed 50 °C (122 °F).
7. Do not incinerate the battery cartridge even if it is severely damaged or is completely worn out. The battery cartridge can explode in a fire.

11. Follow your local regulations relating to disposal of battery.
12. Use the batteries only with the products specified by Makita. Installing the batteries to non-compliant products may result in a fire, excessive heat, explosion, or leak of electrolyte.

SAVE THESE INSTRUCTIONS.

⚠CAUTION: Only use genuine Makita batteries. Use of non-genuine Makita batteries, or batteries that have been altered, may result in the battery bursting causing fires, personal injury and damage. It will also void the Makita warranty for the Makita tool and charger.

Tips for maintaining maximum battery life

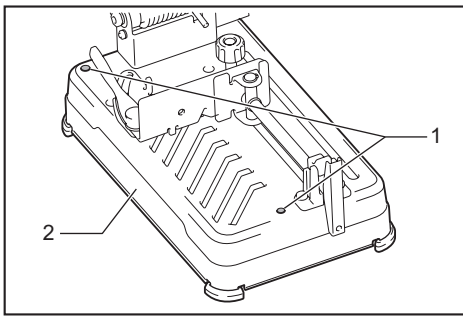
1. Charge the battery cartridge before completely discharged. Always stop tool operation and charge the battery cartridge when you notice less tool power.
2. Never recharge a fully charged battery cartridge. Overcharging shortens the battery service life.
3. Charge the battery cartridge with room temperature at 10 °C - 40 °C (50 °F - 104 °F). Let a hot battery cartridge cool down before charging it.
4. Charge the battery cartridge if you do not use it for a long period (more than six months).

INSTALLATION

⚠WARNING: This tool produces spark when cutting a workpiece. Do not install this tool in the place in which flammable and/or explosive materials might be ignited by the spark from the tool. Also make sure that there is no such material near the tool before starting the operation.

Securing the base

This tool should be bolted with two bolts to a level and stable surface using the bolt holes provided in the tool's base. This will help prevent tipping over and possible personal injury.

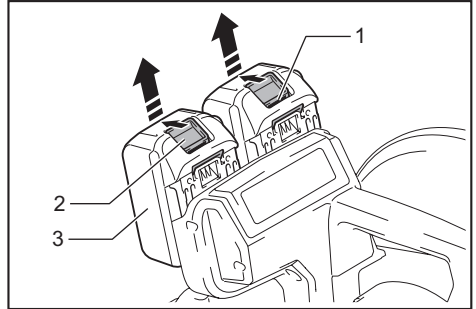


► 1. Bolt holes 2. Base

Installing or removing battery cartridge

⚠ CAUTION: Always switch off the tool before installing or removing of the battery cartridge.

⚠ CAUTION: Hold the tool and the battery cartridge firmly when installing or removing battery cartridge. Failure to hold the tool and the battery cartridge firmly may cause them to slip off your hands and result in damage to the tool and battery cartridge and a personal injury.



► 1. Red indicator 2. Button 3. Battery cartridge

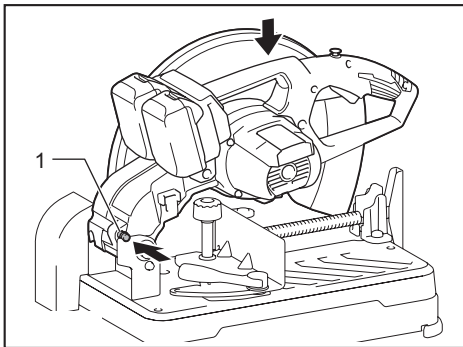
FUNCTIONAL DESCRIPTION

⚠ WARNING: Always be sure that the tool is switched off and the battery cartridge is removed before adjusting or checking the functions on the tool. Failure to switch off and remove the battery cartridge may result in serious personal injury from accidental start-up.

Unlocking/locking tool head

The tool head can be locked. Always lock the tool head when not in use or carrying.

To unlock, depress the tool head slightly and push the lock pin. To lock, return the lock pin while holding down the tool head.



► 1. Lock pin

To remove the battery cartridge, slide it from the tool while sliding the button on the front of the cartridge.

To install the battery cartridge, align the tongue on the battery cartridge with the groove in the housing and slip it into place. Insert it all the way until it locks in place with a little click. If you can see the red indicator on the upper side of the button, it is not locked completely.

⚠ CAUTION: Always install the battery cartridge fully until the red indicator cannot be seen. If not, it may accidentally fall out of the tool, causing injury to you or someone around you.

⚠ CAUTION: Do not install the battery cartridge forcibly. If the cartridge does not slide in easily, it is not being inserted correctly.

NOTE: The tool does not work with only one battery cartridge.

Tool / battery protection system

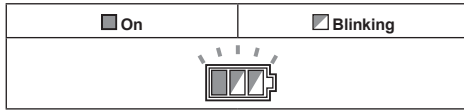
The tool is equipped with a tool/battery protection system. This system automatically cuts off power to the motor to extend tool and battery life. The tool will automatically stop during operation if the tool or battery is placed under one of the following conditions.

Overload protection

When the tool is operated in a manner that causes it to draw an abnormally high current, the tool automatically stops. In this situation, turn the tool off and stop the application that caused the tool to become overloaded. Then turn the tool on to restart.

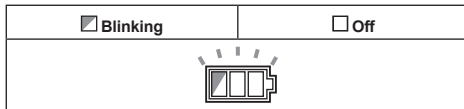
Overheat protection

When the tool is overheated, the tool stops automatically, and the battery indicator blink about 60 seconds. In this situation, let the tool cool down before turning the tool on again.

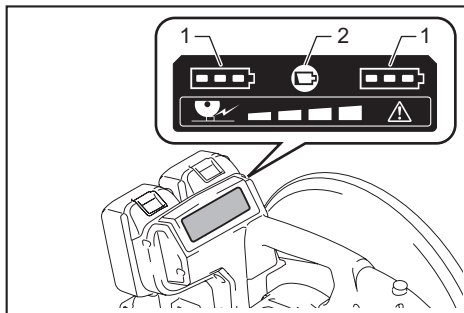


Overdischarge protection

When the battery capacity becomes low, the tool stops automatically and the battery indicator of the depleted battery cartridge will blink. If the product does not operate even when the switches are operated, remove the depleted battery cartridge from the tool and charge it.



Indicating the remaining battery capacity

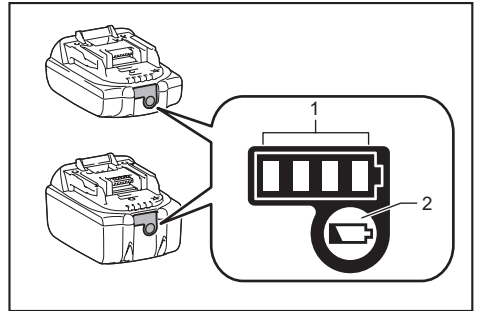


Press the check button to indicate the remaining battery capacities. The battery indicators correspond to each battery.

Battery indicator status			Remaining battery capacity
<input checked="" type="checkbox"/> On	<input type="checkbox"/> Off	<input checked="" type="checkbox"/> Blinking	
			50% to 100%
			20% to 50%
			0% to 20%
			Charge the battery

Indicating the remaining battery capacity

Only for battery cartridges with the indicator



► 1. Indicator lamps 2. Check button

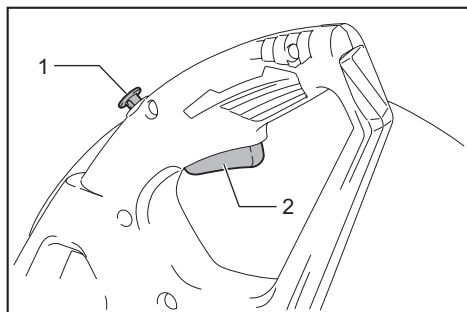
Press the check button on the battery cartridge to indicate the remaining battery capacity. The indicator lamps light up for a few seconds.

Indicator lamps			Remaining capacity
<input checked="" type="checkbox"/> Lighted	<input type="checkbox"/> Off	<input checked="" type="checkbox"/> Blinking	
			75% to 100%
			50% to 75%
			25% to 50%
			0% to 25%
			Charge the battery.
			The battery may have malfunctioned.

NOTE: Depending on the conditions of use and the ambient temperature, the indication may differ slightly from the actual capacity.

Switch action

⚠ WARNING: Before installing the battery cartridge into the tool, always check to see that the switch trigger actuates properly and returns to the "OFF" position when released.



► 1. Lock-off button 2. Switch trigger

To prevent the switch trigger from being accidentally pulled, a lock-off button is provided. To start the tool, press the lock-off button and pull the switch trigger. Release the switch trigger to stop.

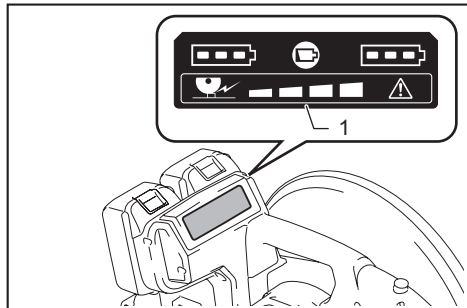
⚠ WARNING: NEVER defeat the lock-off button by taping down or some other means. A switch with a negated lock-off button may result in unintentional operation and serious personal injury.

⚠ WARNING: NEVER use the tool if it runs when you simply pull the switch trigger without pressing the lock-off button. A switch in need of repair may result in unintentional operation and serious personal injury. Return tool to a Makita service center for proper repairs BEFORE further usage.

NOTICE: Do not pull the switch trigger hard without pressing in the lock-off button. This can cause switch breakage.

Load status indicator

The load status indicator shows the level of the load on the motor during cutting operation. As the load on the motor increases, the number of lighting lamp increases.



► 1. Load status indicator

Overload alert

If the motor is operated with excessive load, all lamps of the load status indicator will blink. In this case, reduce the load on the motor. If you continue to load the motor while the load status indicator is blinking, the tool will automatically stop in a few seconds due to overload protection.

NOTE: If an excessive load is generated at once, the tool automatically stops without blinking of the load status indicator.

Interval between vise and guide plate

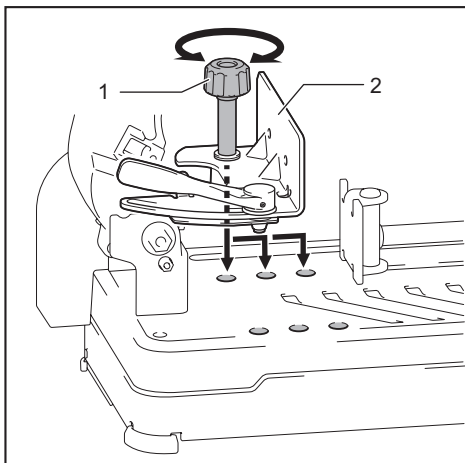
⚠ CAUTION: After adjusting the interval between the vise and the guide plate, make sure that the guide plate is properly secured. Insufficient fixing may result in personal injury.

The following interval settings of the vise are available:

- 0 - 170 mm (0" - 6-11/16") (original setting)
- 35 - 205 mm (1-3/8" - 8-1/16")
- 70 - 240 mm (2-3/4" - 9-7/16")

If your work requires different setting, proceed as follows to change the spacing or interval.

Loosen the screw on the guide plate. Move the guide plate to the desired position then tighten the screw.



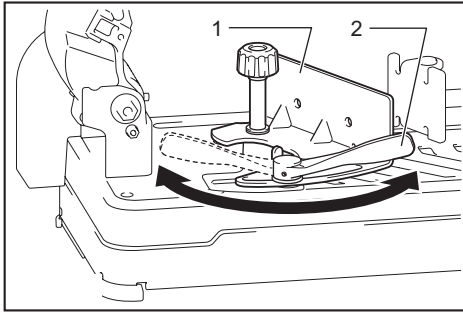
► 1. Screw 2. Guide plate

Cutting angle adjustment

⚠ CAUTION: After adjusting the angle of the guide plate, make sure that the guide plate is properly secured. Insufficient fixing may result in personal injury.

⚠ CAUTION: Do not operate the tool when the material is not firmly secured with the vise because of the cutting angle.

Turn the lever counterclockwise. Move the guide plate to the desired angle and fully tighten the lever.



► 1. Guide plate 2. Lever

NOTE: The scale on the guide plate is only a rough indication. For more accurate angle, use a protractor or triangle ruler. Keep the handle down so that the cut-off wheel extends into the base. At the same time, adjust the angle between the guide plate and the cut-off wheel with a protractor or triangle ruler.

Electric brake

This tool is equipped with an electric wheel brake. If the tool consistently fails to quickly stop the cut-off wheel after the switch trigger is released, have the tool serviced at a Makita service center.

CAUTION: The wheel brake system is not a substitute for the safety guard. Never use tool without a functioning safety guard. An unguarded cut-off wheel may result in serious personal injury.

Electronic function

The tools equipped with electronic function are easy to operate because of the following feature(s).

Soft start feature

Soft start because of suppressed starting shock.

ASSEMBLY

WARNING: Always be sure that the tool is switched off and the battery cartridge is removed before working on the tool. Failure to switch off and remove the battery cartridge may result in serious personal injury.

Removing or installing cut-off wheel

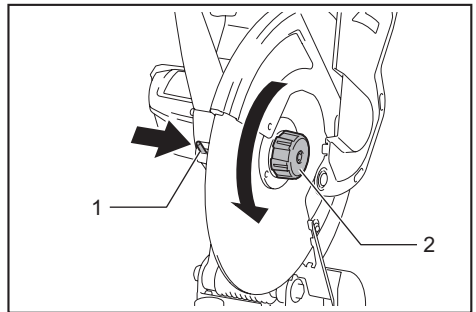
CAUTION: Be sure to tighten the toolless clamp securely. Insufficient tightening may result in severe injury.

CAUTION: Always use only the proper inner and outer flanges which are provided with the tool.

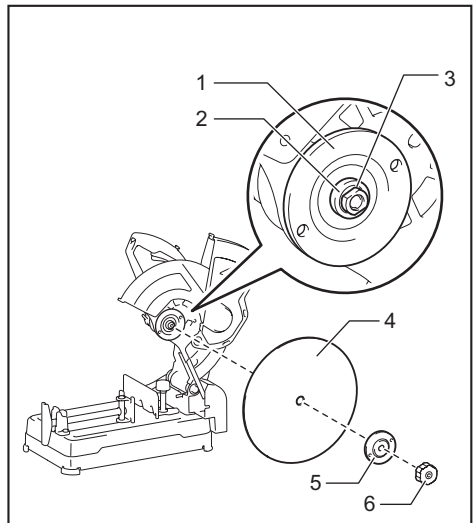
CAUTION: Always lower the safety guard after replacing the cut-off wheel.

CAUTION: Wear gloves when handling wheels.

Raise the safety guard. Turn the toolless clamp counterclockwise while holding down the shaft lock. Then remove the toolless clamp, outer flange and cut-off wheel. When removing the cut-off wheel, do not remove the inner flange as well as the ring and O-ring.



► 1. Shaft lock 2. Toolless clamp



► 1. Inner flange 2. Ring 3. O-ring 4. Cut-off wheel
5. Outer flange 6. Toolless clamp

To install the cut-off wheel, follow the removal procedures in reverse. Make sure to fit the hole of cut-off wheel to the ring and return the safety guard.

OPERATION


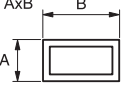
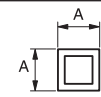

CAUTION: Proper handle pressure during cutting and maximum cutting efficiency can be determined by the amount of sparks that is produced while cutting. Do not force the cut by applying excessive pressure on the handle. Reduced cutting efficiency, premature wheel wear, as well as, possible damage to the tool, cut-off wheel or workpiece may result.

Hold the handle firmly. Switch on the tool and wait until the cut-off wheel attains full speed before lowering gently into the cut. When the cut-off wheel contacts the workpiece, gradually bear down on the handle to perform the cut. When the cut is completed, switch off the tool and wait until the cut-off wheel has come to a complete stop before returning the handle to the fully elevated position.

Cutting capacity

Maximum cutting capacity varies depending on the cutting angle and workpiece shape.

Max. cutting capacity with a brand-new cut-off wheel

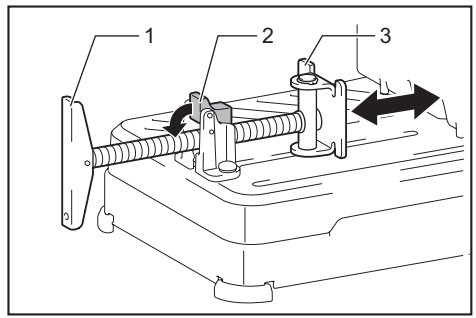
Cutting angle / Workpiece shape	90°	45°
	ø 127 mm (ø 5")	ø 127 mm (ø 5")
	115 x 130 mm (4-1/2" x 5-1/8") 102 x 194 mm (4" x 7-5/8") 70 x 233 mm (2-3/4" x 9-1/8")	115 x 103 mm (4-1/2" x 4-1/16")
	119 x 119 mm (4-11/16" x 4-11/16")	106 x 106 mm (4-3/16" x 4-3/16")
	137 x 137 mm (5-3/8" x 5-3/8")	100 x 100 mm (4" x 4")

NOTE: A workpiece thinner than 1.6 mm (1/16") is recommended for cutting with this tool.

Securing workpiece

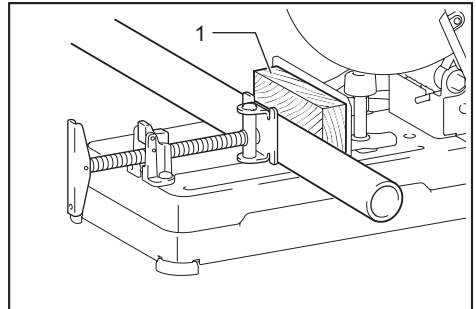
CAUTION: Always place the thread holder on the shaft threads when securing the workpiece. Failure to do so may result in insufficient securing of the workpiece. This could cause the workpiece to be ejected or cause a dangerous breakage of the cut-off wheel.

While the thread holder is lifted, the vise plate can be moved in and out quickly. To grip a workpiece, push the handle until the vise plate contacts the workpiece then return the thread holder. Turn the handle clockwise until the workpiece is securely retained.



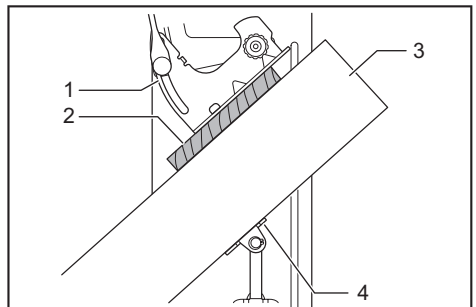
► 1. Handle 2. Thread holder 3. Vise plate

When the cut-off wheel has worn down considerably, place a spacer block behind the workpiece as shown in the figure. You can more efficiently utilize the worn wheel by using the mid point on the periphery of the wheel to cut the workpiece. Use a sturdy and non-flammable material for a spacer block.



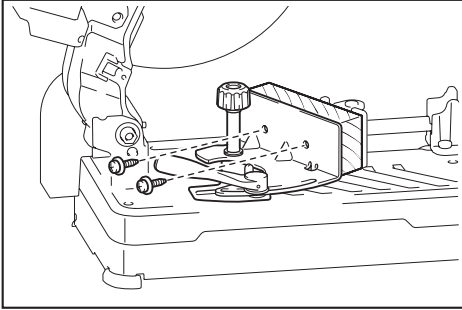
► 1. Spacer block

When cutting workpieces over 85 mm (3-3/8") wide at an angle, attach a straight piece of wood (spacer) over 190 mm (7-1/2") long x 40 mm (1-9/16") wide to the guide plate as shown in the figure. Attach this spacer with screws through the holes in the guide plate. Make sure that the cut-off wheel does not contact the spacer when the tool head is depressed.

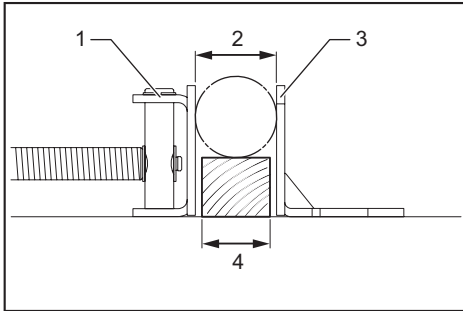


► 1. Guide plate 2. Spacer block over 190 mm (7-1/2") long x 40 mm (1-9/16") wide 3. Workpiece over 85 mm (3-3/8") wide 4. Vise plate

NOTICE: When using a spacer block, install the guide plate to the position nearest to the neck of the tool head.

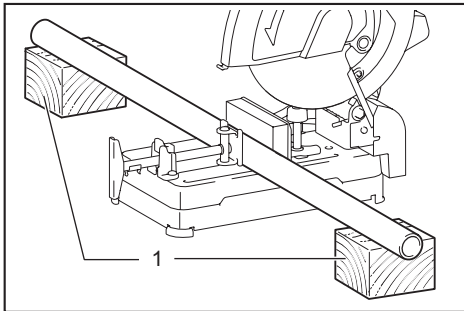


When the cut-off wheel has worn down, raise the cutting position by putting a spacer block which is slightly narrower than the workpiece as shown in the figure. This will help you to utilize the cut-off wheel economically.



- ▶ 1. Vise plate 2. Workpiece diameter 3. Guide plate 4. Spacer block width

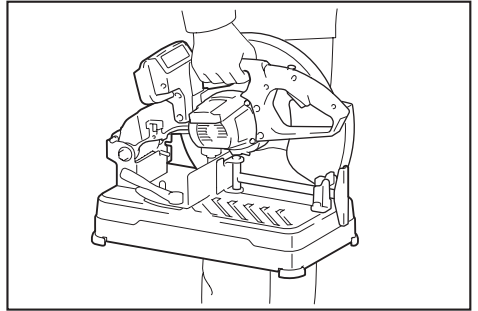
Long workpieces must be supported by blocks on either side so that it will be level with the base top. Use non-flammable material for supporting blocks.



- ▶ 1. Supporting block

Carrying tool

Before carrying, remove the batteries and fold down the tool head, and then lock it. Hold the handle when carrying.



MAINTENANCE

CAUTION: Always be sure that the tool is switched off and the battery cartridge is removed before attempting to perform inspection or maintenance.

NOTICE: Never use gasoline, benzine, thinner, alcohol or the like. Discoloration, deformation or cracks may result.

To maintain product SAFETY and RELIABILITY, repairs, any other maintenance or adjustment should be performed by Makita Authorized or Factory Service Centers, always using Makita replacement parts.

OPTIONAL ACCESSORIES

CAUTION: These accessories or attachments are recommended for use with your Makita tool specified in this manual. The use of any other accessories or attachments might present a risk of injury to persons. Only use accessory or attachment for its stated purpose.

If you need any assistance for more details regarding these accessories, ask your local Makita Service Center.

- Abrasive cut-off wheels
- Makita genuine battery and charger

NOTE: Some items in the list may be included in the tool package as standard accessories. They may differ from country to country.

MAKITA LIMITED WARRANTY

Please refer to the annexed warranty sheet for the most current warranty terms applicable to this product. If annexed warranty sheet is not available, refer to the warranty details set forth at below website for your respective country.

United States of America: www.makitatools.com

Canada: www.makita.ca

Other countries: www.makita.com

ESPECIFICACIONES

Modelo:		XWL01
Diámetro del disco		355 mm (14")
Diámetro del orificio		25,4 mm (1")
Grosor máx. del disco		3 mm (1/8")
Velocidad sin carga (RPM)		3 800 r/min
Tensión nominal		36 V c.c.
Dimensiones (La x An x Al)	Con protección de seguridad que no sea del tipo europeo	537 mm x 280 mm x 640 mm (21-1/8" x 11" x 25-1/4")
Peso neto	Con protección de seguridad que no sea del tipo europeo	15,6 - 16,3 kg (34,5 - 35,9 lbs)

- Debido a nuestro continuo programa de investigación y desarrollo, las especificaciones aquí incluidas están sujetas a cambio sin previo aviso.
- Las especificaciones pueden variar de país a país.
- El peso puede variar en función de los accesorios, incluido el cartucho de batería. En la tabla se muestra la combinación de peso más ligero y más pesado conforme al procedimiento 01/2014 de EPTA.
- La forma y el peso varían en función de las especificaciones las cuales son distintas en cada país.

Cartucho de batería y cargador aplicables

Cartucho de batería	BL1815N / BL1820B / BL1830 / BL1830B / BL1840B / BL1850B / BL1860B
Cargador	DC18RC / DC18RD / DC18RE / DC18SD / DC18SE / DC18SF

- Algunos de los cartuchos de batería y cargadores enumerados arriba podrían no estar disponibles dependiendo de su área de residencia.

⚠ ADVERTENCIA: Use únicamente los cartuchos de batería y los cargadores indicados arriba. El uso de cualquier otro cartucho de batería y cargador podría ocasionar una lesión y/o un incendio.

ADVERTENCIAS DE SEGURIDAD

Por su propia seguridad lea el manual de instrucciones antes de usar la herramienta. Utilice protección para los ojos. Guárdelo como referencia en el futuro.

Precauciones de seguridad generales (para todas las herramientas)

1. **CONOZCA SU HERRAMIENTA ELÉCTRICA.** Lea el manual del usuario atentamente. Conozca las aplicaciones y limitaciones de la herramienta, así como los riesgos potenciales específicos de la misma.
2. **NO quite los protectores** y manténgalos en buen estado de funcionamiento.

3. **RETIRE LAS LLAVES DE AJUSTE Y DE APRIETE.** Adquiera el hábito de comprobar y ver que las llaves de ajuste y de apriete hayan sido retiradas de la herramienta antes de encenderla.
4. **MANTENGA EL ÁREA DE TRABAJO LIMPIA.** Las áreas y bancos de trabajo desordenados pueden ocasionar accidentes.
5. **NO LAS UTILICE EN ENTORNOS PELIGROSOS.** No utilice las herramientas eléctricas en lugares húmedos o mojados, ni las esponja a la lluvia. Mantenga el área de trabajo bien iluminada. No utilice la herramienta en presencia de líquidos o gases inflamables.
6. **MANTENGA ALEJADOS A LOS NIÑOS.** Todos los visitantes deberán ser mantenidos a una distancia segura del área de trabajo.
7. **MANTENGA EL TALLER A PRUEBA DE NIÑOS** con candados, interruptores maestros, o quitando las llaves de encendido.
8. **NO FUERCE LA HERRAMIENTA.** Ésta hará el trabajo mejor y de forma más segura a la velocidad para la que fue diseñada.
9. **UTILICE LA HERRAMIENTA APROPIADA.** No fuerce la herramienta ni los accesorios para realizar un trabajo para el que no hayan sido diseñados.

10. **USE UNA VESTIMENTA ADECUADA.** No se ponga ropa holgada, guantes, corbata, anillos, pulseras, ni otro tipo de alhajas que puedan engancharse en las piezas móviles. Se recomienda utilizar calzado antiderrapante. Lleve protección en el cabello para cubrirlo en caso de tenerlo largo.
 11. **UTILICE SIEMPRE GAFAS DE SEGURIDAD.** Utilice también careta o máscara contra polvo si la operación de corte es polvorienta. Los anteojos de uso diario para la vista sólo tienen lentes resistentes a impactos, NO son gafas de seguridad.
 12. **SUJETE LA PIEZA DE TRABAJO.** Utilice pinzas o un tornillo de banco para sujetar la pieza de trabajo cuando resulte práctico. Es más seguro que utilizar la mano y además dispondrá de ambas manos para manejar la herramienta.
 13. **NO UTILICE LA HERRAMIENTA DONDE NO ALCANCE.** Mantenga los pies sobre suelo firme y el equilibrio en todo momento.
 14. **DÉLE UN DEBIDO MANTENIMIENTO A LAS HERRAMIENTAS.** Mantenga las herramientas afiladas y limpias para un mejor desempeño y mayor seguridad. Siga las instrucciones para lubricar y cambiar los accesorios.
 15. **DESCONECTE LA BATERÍA DE LA HERRAMIENTA** antes de darle servicio y cuando cambie accesorios tales como discos, brocas, cuchillas y similares.
 16. **REDUZCA EL RIESGO DE ENCENDIDO ACCIDENTAL.** Asegúrese de que el interruptor esté en la posición de apagado antes de insertar la batería.
 17. **UTILICE LOS ACCESORIOS RECOMENDADOS.** Consulte el manual del usuario para ver los accesorios recomendados. El uso de accesorios no apropiados podría ocasionar riesgo de lesiones personales.
 18. **NUNCA SE PARE ENCIMA DE LA HERRAMIENTA.** El volcar la herramienta o tocar accidentalmente la herramienta de corte podría ocasionar lesiones graves.
 19. **INSPECCIONE LAS PIEZAS DAÑADAS.** Si un protector u otra pieza están dañados, antes de seguir utilizando la herramienta deberá revisarlos cuidadosamente para cerciorarse de que van a funcionar correctamente y realizar el trabajo para el que fueron diseñados - verifique la alineación de las piezas móviles, la sujeción de las piezas móviles, que no haya piezas rotas, el montaje y cualquier otra condición que pueda afectar su operación. Cualquier protector o pieza dañada deberá repararse debidamente o reemplazarse.
 20. **DIRECCIÓN DE AVANCE.** Avance la pieza de trabajo hacia el disco o cuchilla solamente en sentido contrario a la dirección de rotación de los mismos.
 21. **NUNCA DEJE LA HERRAMIENTA DESATENDIDA MIENTRAS ESTÉ EN MARCHA. DESCONECTE LA ALIMENTACIÓN.** No deje la herramienta hasta que se haya detenido completamente.
 22. **PIEZAS DE REPUESTO** Cuando dé servicio a la herramienta, utilice solamente piezas de repuesto idénticas.
- Uso y cuidado de la herramienta a batería**
1. **Asegúrese de que el interruptor esté en la posición de apagado antes de insertar el cartucho de batería.** Insertar un cartucho de batería en herramientas eléctricas con el interruptor encendido puede ocasionar accidentes.
 2. **Recargue sólo con el cargador especificado por el fabricante.** Un cargador adecuado para un tipo de cartucho de batería específico puede ocasionar riesgo de incendio al usarse con otro cartucho de batería.
 3. **Use las herramientas eléctricas solo con sus cartuchos de batería designados específicamente para éstas.** El uso de cualquier otro cartucho de batería puede ocasionar riesgo de lesiones e incendio.
 4. **Cuando no se esté usando el cartucho de batería, manténgalo alejado de otros objetos metálicos, como sujetapapeles (clips), monedas, llaves, clavos, tornillos u otros objetos pequeños de metal que puedan crear una conexión entre las terminales.** Ocasionar un cortocircuito en las terminales de la batería puede provocar quemaduras o incendio.
 5. **En condiciones abusivas, podrá escapar líquido de la batería; evite tocarlo. Si lo toca accidentalmente, enjuague con agua. Si hay contacto del líquido con los ojos, busque asistencia médica.** Puede que el líquido expulsado de la batería cause irritación o quemaduras.
 6. **Desconecte el cartucho de batería de la herramienta o coloque el interruptor en la posición de bloqueo o de apagado antes de realizar cualquier ajuste, cambiar accesorios o almacenar la herramienta.** Tales medidas de seguridad preventivas reducirán el riesgo de poner en marcha la herramienta de forma accidental.
 7. **El servicio de su herramienta eléctrica deberá ser realizado por un técnico calificado usando solamente piezas de repuesto idénticas.** Esto garantizará que se mantenga la seguridad de su herramienta eléctrica.
 8. **No utilice una herramienta ni una batería que estén dañadas o hayan sido modificadas.** Las baterías dañadas o modificadas podrían ocasionar una situación inesperada provocando un incendio, explosión o riesgo de lesiones.
 9. **No exponga la herramienta ni la batería al fuego ni a una temperatura excesiva.** La exposición al fuego o a una temperatura superior a los 130 °C podría causar una explosión.
 10. **Siga todas las instrucciones para la carga y evite cargar la herramienta o la batería fuera del rango de temperatura especificado en las instrucciones.** Una carga inadecuada o a una temperatura fuera del rango especificado podría dañar la batería e incrementar el riesgo de incendio.

Normas específicas de seguridad

NO deje que la comodidad o familiaridad con el producto (a base de utilizarlo repetidamente) sustituya la estricta observancia de las normas de seguridad para la tronzadora de metal. El no utilizar esta herramienta de forma segura o correcta podría ocasionarle lesiones personales graves.

1. Use protección para los oídos durante los períodos de operación prolongados.
2. Utilice sólo discos cuya velocidad de operación máxima sea al menos tan alta como la velocidad sin carga de la herramienta (r/min ó RPM) marcada en la placa de características de la herramienta. Utilice sólo discos de corte reforzados con fibra de vidrio.
3. Revise cuidadosamente el disco de corte para ver que no tenga grietas o daños antes de la operación. Reemplace de inmediato el disco en caso de presentar grietas o daños. Haga funcionar la herramienta (con protector) sin carga alrededor de un minuto, sosteniendo la herramienta lejos de las demás personas. Si el disco presenta fallas, es posible que se separe durante esta prueba.
4. Asegure el disco de corte cuidadosamente.
5. Utilice solamente las bridas especificadas para esta herramienta.
6. Tenga cuidado de no dañar el eje, las bridas (especialmente la superficie de instalación) o el perno. Si estas piezas se dañan el disco podría romperse.
7. No opere la herramienta sin los protectores puestos. Verifique que el protector de el disco cierre correctamente antes de cada uso. No opere la herramienta si el protector el disco no se mueve libremente o no cierra de manera instantánea. Nunca fije o sujete el protector de el disco en la posición abierta.
8. Sostenga firmemente el mango.
9. Mantenga las manos alejadas de las piezas giratorias.
10. Asegúrese de que el disco de corte no esté haciendo contacto con la pieza de trabajo antes de activar el interruptor.
11. Antes de utilizar la herramienta en una pieza de trabajo definitiva, déjala funcionar durante un rato. Observe si hay vibración o bamboleo que pueda indicar una instalación incorrecta o un disco mal equilibrada.
12. Tenga cuidado con las chispas que se desprenden durante la operación. Estas pueden ocasionar lesiones o prender fuego a los materiales combustibles.
13. Elimine del área de trabajo el material o residuos que podrían encenderse a causa de las chispas. Asegúrese de que no haya nadie en el área donde se desprendan las chispas. Tenga cerca un extintor de incendios cargado y en buenas condiciones.
14. Solo utilice el borde cortante del disco de corte. Nunca utilice la superficie lateral.
15. No intente mantener el gatillo en la posición de ENCENDIDO.

16. Si el disco de corte se detiene durante la operación, o si hace un ruido extraño o comienza a vibrar, apague la herramienta de inmediato.
17. Apague la herramienta y espere a que el disco de corte se detenga antes de mover la pieza de trabajo o cambiar los ajustes.
18. No toque la pieza de trabajo inmediatamente después de la operación, ya que podría estar extremadamente caliente y provocarle quemaduras en la piel.
19. Almacene los discos sólo en un lugar seco.
20. Antes de cada uso, observe si hay temblor o vibración excesiva que pudiera ser causada por una instalación incorrecta o un disco mal equilibrado.


GUARDE ESTAS INSTRUCCIONES.

⚠ADVERTENCIA: EL USO INCORRECTO o el no seguir las normas de seguridad indicadas en este manual de instrucciones puede ocasionar lesiones personales graves.

⚠ADVERTENCIA: Este aparato no se destina para utilizarse por personas (incluyendo niños) cuyas capacidades físicas, sensoriales o mentales sean diferentes o estén reducidas o carezcan de experiencia o de conocimiento, a menos que dichas personas reciban una supervisión o capacitación para el funcionamiento del aparato por una persona responsable de su seguridad. Los niños deben supervisarse para asegurar que ellos no empleen los aparatos como juguete. Si el cordón de alimentación es dañado, éste debe sustituirse por el fabricante, por su agente de servicio autorizado o por personal calificado con el fin de evitar un peligro.

Símbolos

A continuación se muestran los símbolos utilizados para la herramienta.

V	volts o voltios
	corriente directa o continua
n.	velocidad sin carga
... /min r /min	revoluciones o alternaciones por minuto, frecuencia de rotación

Instrucciones importantes de seguridad para el cartucho de batería

1. Antes de utilizar el cartucho de batería, lea todas las instrucciones e indicaciones de precaución en el (1) el cargador de batería, (2) la batería, y (3) el producto con el que se utiliza la batería.
2. No desarme el cartucho de batería.

3. Si el tiempo de operación se ha acortado en exceso, deje de operar de inmediato. Podría correrse el riesgo de sobrecalentamiento, posibles quemaduras e incluso explosión.
4. En caso de que ingresen electrolitos en sus ojos, enjuáguelos bien con agua limpia y consulte de inmediato a un médico. Esto podría ocasionar pérdida de visión.
5. Evite cortocircuitar el cartucho de batería:
 - (1) No toque las terminales con ningún material conductor.
 - (2) Evite guardar el cartucho de batería en un cajón junto con otros objetos metálicos, tales como clavos, monedas, etc.
 - (3) No exponga el cartucho de batería al agua o la lluvia.

Un cortocircuito en la batería puede causar un flujo grande de corriente, sobrecalentamiento, posibles quemaduras e incluso una descompostura.

6. No guarde la herramienta ni el cartucho de batería en lugares donde la temperatura pueda alcanzar o exceder los 50°C (122°F).
7. Nunca incinere el cartucho de batería incluso en el caso de que esté dañado seriamente o ya no sirva en absoluto. El cartucho de batería puede explotar si se tira al fuego.
8. Tenga cuidado de no dejar caer ni golpear la batería.
9. No use una batería dañada.
10. Las baterías de ión de litio están sujetas a los requisitos reglamentarios en materia de bienes peligrosos.

Para el transporte comercial, por ej., mediante terceros o agentes de transporte, se deben tomar en cuenta los requisitos especiales relativos al empaque y el etiquetado.

Para efectuar los preparativos del artículo que se va a enviar, se requiere consultar a un experto en materiales peligrosos. Si es posible, consulte además otras regulaciones nacionales más detalladas.

Pegue o cubra con cinta adhesiva los contactos abiertos y empaque la batería de manera que ésta no pueda moverse dentro del paquete.

11. **Siga las regulaciones locales relacionadas al desecho de las baterías.**
12. **Utilice las baterías únicamente con los productos especificados por Makita.** Instalar las baterías en productos que no cumplan con los requisitos podría ocasionar un incendio, un calentamiento excesivo, una explosión o una fuga de electrolito.

GUARDE ESTAS INSTRUCCIONES.

⚠PRECAUCIÓN: Utilice únicamente baterías originales de Makita. El uso de baterías no originales de Makita, o de baterías alteradas, puede ocasionar que las baterías exploten causando un incendio, lesiones personales y daños. Asimismo, esto invalidará la garantía de Makita para la herramienta y el cargador Makita.

Consejos para alargar al máximo la vida útil de la batería

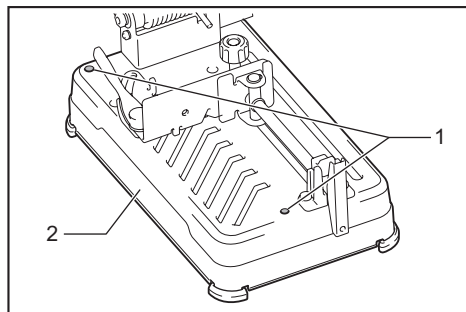
1. Cargue el cartucho de batería antes de que se descargue completamente. Pare siempre la operación y cargue el cartucho de batería cuando note menos potencia en la herramienta.
2. No cargue nunca un cartucho de batería que esté completamente cargado. La sobrecarga acortará la vida de servicio de la batería.
3. Cargue el cartucho de batería a una temperatura ambiente de 10 °C - 40 °C (50 °F - 104 °F). Si un cartucho de batería está caliente, déjelo enfriar antes de cargarlo.
4. Cargue el cartucho de batería si no va a utilizarlo durante un período prolongado (más de seis meses).

INSTALACIÓN

⚠ADVERTENCIA: Esta herramienta produce chispas al cortar una pieza de trabajo. No instale esta herramienta en un lugar donde las chispas que se desprenden de ella podrían prender fuego a los materiales inflamables y/o explosivos. Asimismo, asegúrese de que no haya este tipo de materiales cerca de la herramienta antes de empezar la operación.

Fijación de la base

Esta herramienta debe atornillarse con dos pernos a una superficie nivelada y estable, utilizando los orificios para pernos que se encuentran en la base de la herramienta. Esto ayudará a evitar que la herramienta se vuelque y pueda ocasionar lesiones personales.



► 1. Orificios para pernos 2. Base

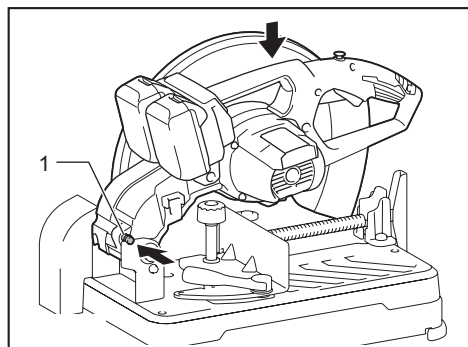
DESCRIPCIÓN DEL FUNCIONAMIENTO

⚠ADVERTENCIA: Asegúrese siempre de que la herramienta esté apagada y el cartucho de batería haya sido extraído antes de realizar cualquier ajuste o revisión del funcionamiento de la herramienta. El no apagar y extraer el cartucho de batería puede provocar lesiones personales graves a causa de un encendido accidental.

Desbloqueo/bloqueo del cabezal de la herramienta

El cabezal de la herramienta puede bloquearse. Siempre bloquee el cabezal de la herramienta cuando no la esté usando o la esté cargando.

Para desbloquear, presione ligeramente el cabezal de la herramienta y empuje el pasador de bloqueo. Para bloquear, regrese el pasador de bloqueo manteniendo presionado el cabezal de la herramienta.

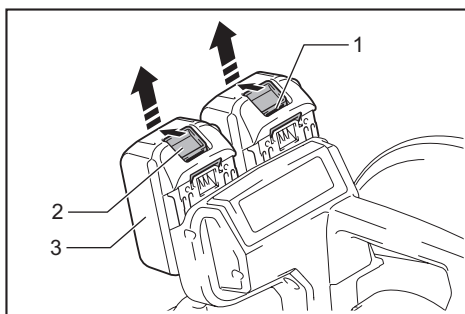


▶ 1. Pasador de bloqueo

Instalación o extracción del cartucho de batería

⚠PRECAUCIÓN: Apague siempre la herramienta antes de colocar o quitar el cartucho de batería.

⚠PRECAUCIÓN: Sujete la herramienta y el cartucho de la batería con firmeza al colocar o quitar el cartucho de batería. Si no se sujeta con firmeza la herramienta y el cartucho de batería, puede ocasionar que se resbalen de sus manos causando daños a la herramienta y al cartucho de batería, así como lesiones a la persona.



▶ 1. Indicador rojo 2. Botón 3. Cartucho de batería

Para quitar el cartucho de batería, deslícelo de la herramienta mientras desliza el botón sobre la parte delantera del cartucho.

Para colocar el cartucho de batería, alinee la lengüeta sobre el cartucho de batería con la ranura en la carcasa y deslice en su lugar. Inserte por completo hasta que se fije en su lugar con un pequeño clic. Si puede ver el indicador rojo del lado superior del botón, esto indica que no ha quedado fijo por completo.

⚠PRECAUCIÓN: Introduzca siempre completamente el cartucho de batería hasta que el indicador rojo no pueda verse. Si no, podría accidentalmente salirse de la herramienta y caer al suelo causando una lesión a usted o alguien a su alrededor.

⚠PRECAUCIÓN: No instale el cartucho de batería a la fuerza. Si el cartucho no se desliza al interior fácilmente, se debe a que no está siendo insertado correctamente.

NOTA: La herramienta no funciona sólo con un cartucho de batería.

Sistema de protección para la herramienta/batería

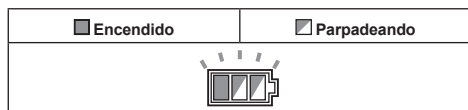
La herramienta está equipada con un sistema de protección para la herramienta/batería. Este sistema corta en forma automática el suministro de energía al motor para prolongar la vida útil de la herramienta y la batería. La herramienta se detendrá automáticamente durante la operación si la herramienta o la batería se someten a una de las siguientes condiciones. En algunas condiciones, los indicadores pueden encenderse.

Protección contra sobrecarga

Cuando la herramienta sea utilizada de una manera que cause que consuma una cantidad anormalmente alta de corriente, la herramienta se detendrá automáticamente. En este caso, apague la herramienta y detenga la aplicación que causó que la herramienta se sobrecargara. Luego encienda la herramienta para volver a arrancarla.

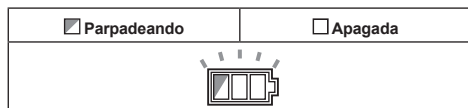
Protección contra sobrecalentamiento

Cuando la herramienta se sobrecaliente, ésta se detendrá automáticamente y el indicador de batería parpadeará alrededor de 60 segundos. En este caso, permita que la herramienta se enfríe antes de volver a encenderla.

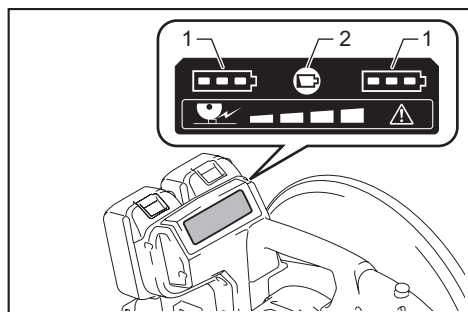


Protección contra sobredescarga

Cuando la capacidad de la batería sea baja, la herramienta se detendrá automáticamente y el indicador de cartucho de batería agotado comenzará a parpadear. Si el producto no funciona incluso cuando los interruptores están siendo operados, retire el cartucho de batería agotado de la herramienta y cárguelo.



Indicación de capacidad restante de la batería



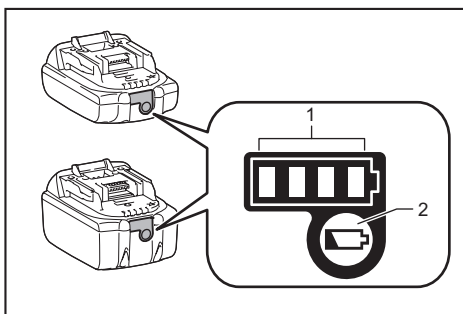
► 1. Indicador de batería 2. Botón de verificación

Oprima el botón de verificación para indicar las capacidades restantes de la batería. Los indicadores de batería corresponden a cada batería.

Estado del indicador de batería			Capacidad restante de la batería
<input checked="" type="checkbox"/> Encendido	<input type="checkbox"/> Apagado	<input checked="" type="checkbox"/> Parpadeando	
			50% a 100%
			20% a 50%
			0% a 20%
			Cargar la batería

Indicación de la capacidad restante de la batería

Únicamente para cartuchos de batería con el indicador



► 1. Luces indicadoras 2. Botón de verificación

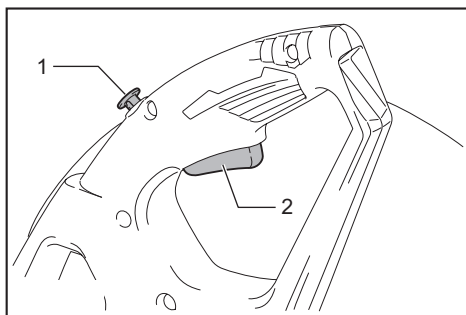
Oprima el botón de verificación en el cartucho de la batería para que indique la capacidad restante de la batería. Las luces indicadoras se iluminarán por algunos segundos.

Luces indicadoras			Capacidad restante
<input checked="" type="checkbox"/> Iluminadas	<input type="checkbox"/> Apagadas	<input checked="" type="checkbox"/> Parpadeando	
■ ■ ■ ■			75% a 100%
■ ■ ■	□		50% a 75%
■ ■	□ □		25% a 50%
■	□ □ □		0% a 25%
▬	□ □ □		Cargar la batería.
■ ■ □ □			La batería pudo haber funcionado mal.
□ □ ■ ■			

NOTA: Dependiendo de las condiciones de uso y la temperatura ambiente, la indicación podrá diferir ligeramente de la capacidad real.

Accionamiento del interruptor

⚠ADVERTENCIA: Antes de insertar el cartucho de batería en la herramienta, compruebe siempre y cerciórese de que el gatillo interruptor se acciona debidamente y que vuelve a la posición "OFF" (apagado) cuando lo suelta.



► 1. Botón de desbloqueo 2. Gatillo interruptor

El botón de desbloqueo es suministrado para evitar jalar accidentalmente el gatillo interruptor. Para encender la herramienta, presione el botón de desbloqueo y jale el gatillo interruptor. Para detenerla, suelte el gatillo interruptor.

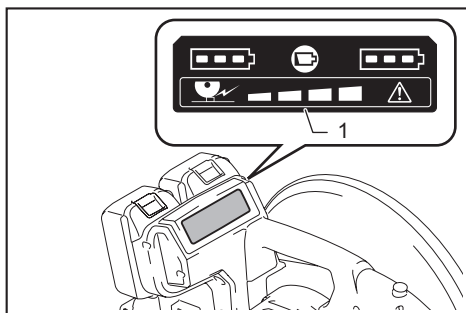
⚠ADVERTENCIA: NUNCA inhabilite el botón de desbloqueo manteniéndolo presionado con cinta adhesiva o mediante otro método. El uso de un interruptor con un botón de desbloqueo inhabilitado puede ocasionar una operación accidental y lesiones personales graves.

⚠ADVERTENCIA: NUNCA use la herramienta si se activa simplemente al jalar el gatillo interruptor sin que haya presionado el botón de desbloqueo. El uso de un interruptor que requiere reparación puede ocasionar una operación accidental y lesiones personales graves. Lleve la herramienta a un centro de servicio Makita para las reparaciones apropiadas ANTES de continuar su uso.

AVISO: No jale fuertemente el gatillo interruptor sin presionar el botón de desbloqueo. Esto podría dañar el interruptor.

Indicador de estado de carga

El indicador de estado de carga muestra el nivel de la carga en el motor durante la operación de corte. A medida que aumenta la carga en el motor, más luces indicadoras se encienden.



► 1. Indicador de estado de carga

Alerta de sobrecarga

Si el motor es operado con una carga excesiva, todas las luces del indicador de estado de carga parpadearán. En este caso, reduzca la carga en el motor. Si continúa cargando el motor mientras el indicador de estado de carga está parpadeando, la herramienta se detendrá automáticamente en pocos segundos debido a la protección contra sobrecarga.

NOTA: Si se genera una carga excesiva de golpe, la herramienta se detendrá automáticamente sin que el indicador de estado de carga haya parpadeado.

Intervalo entre el tornillo de banco y la placa guía

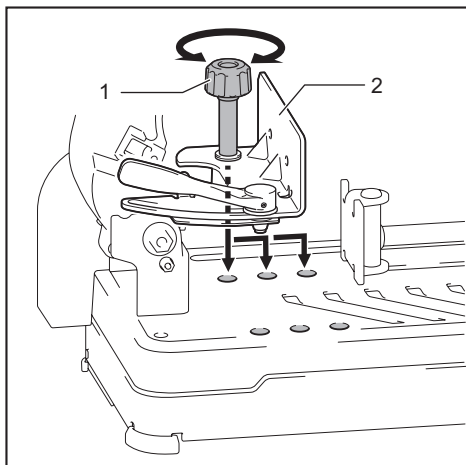
⚠PRECAUCIÓN: Después de ajustar el intervalo entre el tornillo de banco y la placa guía, asegúrese de que la placa guía esté bien asegurada. Una fijación incorrecta podría ocasionar lesiones personales.

Se pueden realizar los siguientes ajustes de intervalos para el tornillo de banco:

- 0 - 170 mm (0" - 6-11/16") (ajuste original)
- 35 - 205 mm (1-3/8" - 8-1/16")
- 70 - 240 mm (2-3/4" - 9-7/16")

Si su trabajo requiere un ajuste distinto, haga lo que se indica a continuación para cambiar el espacio o intervalo.

Afoje el tornillo en la placa guía. Desplace la placa guía a la posición deseada y luego apriete el tornillo.



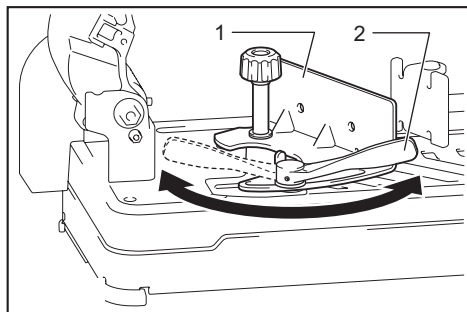
► 1. Tornillo 2. Placa guía

Ajuste del ángulo de corte

⚠PRECAUCIÓN: Después de ajustar el ángulo de la placa guía, asegúrese de que la placa guía esté bien asegurada. Una fijación incorrecta podría ocasionar lesiones personales.

⚠PRECAUCIÓN: No opere la herramienta cuando el material no esté firmemente asegurado con el tornillo de banco debido al ángulo de corte.

Gire la palanca en sentido inverso al de las manecillas del reloj. Desplace la placa guía al ángulo deseado y apriete completamente la palanca.



► 1. Placa guía 2. Palanca

NOTA: La escala en la placa guía es solamente un indicador aproximado. Para un ángulo más preciso, use un transportador o una escuadra. Mantenga el mango hacia abajo de tal forma que la rueda cortadora se extienda dentro de la base. Al mismo tiempo, ajuste el ángulo entre la placa guía y el disco de corte con un transportador o una escuadra.

Freno eléctrico

La herramienta está equipada con un freno eléctrico para el disco. Si con frecuencia la herramienta no logra detener rápidamente el disco de corte tras soltar el gatillo interruptor, lleve la herramienta a un centro de servicio Makita para que le den servicio.

⚠PRECAUCIÓN: El sistema de frenado del disco no es un sustituto de la protección de seguridad. Nunca use la herramienta si la protección de seguridad no funciona. El uso de un disco de corte sin protección podría ocasionar lesiones personales graves.

Función eléctrica

Las herramientas equipadas con funciones electrónicas son fáciles de operar gracias a la(s) característica(s) a continuación.

Función de arranque suave

Permite el arranque suave gracias a que reduce el impacto de encendido.

MONTAJE

⚠ADVERTENCIA: Asegúrese siempre de que la herramienta esté apagada y el cartucho de batería extraído antes de realizar algún trabajo con la herramienta. No seguir esta indicación de retirar el cartucho de la batería de la herramienta puede que resulte en graves lesiones personales.

Extracción o instalación del disco de corte

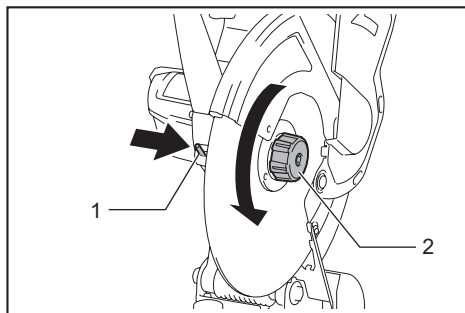
⚠PRECAUCIÓN: Asegúrese de apretar bien la abrazadera que no requiere herramienta. El no apretar lo suficiente podría ocasionar lesiones graves.

⚠PRECAUCIÓN: Siempre utilice únicamente la brida interior y exterior apropiadas que se suministran con la herramienta.

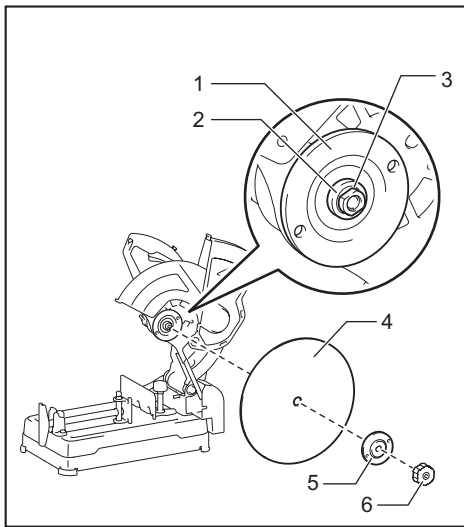
⚠PRECAUCIÓN: Siempre baje la protección de seguridad después de reemplazar el disco de corte.

⚠PRECAUCIÓN: Use guantes cuando manipule los discos.

Levante la protección de seguridad. Gire la abrazadera que no requiere herramienta en sentido inverso al de las manecillas del reloj manteniendo presionado el bloqueo del eje. Luego retire la abrazadera que no requiere herramienta, la brida exterior y la rueda cortadora. Cuando extraiga el disco de corte, no retire la brida interior ni tampoco el anillo y el anillo en O.



► 1. Bloqueo del eje 2. Abrazadera que no requiere herramienta



- **1.** Brida interior **2.** Anillo **3.** Anillo en O **4.** Disco de corte **5.** Brida exterior **6.** Abrazadera que no requiere herramienta

Para instalar la rueda cortadora, siga el procedimiento de extracción en orden inverso. Asegúrese que el orificio del disco de corte encaje en el anillo y regrese la protección de seguridad.

OPERACIÓN

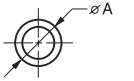
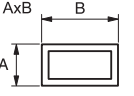
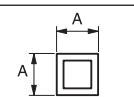

⚠PRECAUCIÓN: La presión adecuada sobre el mango durante el corte y la máxima eficacia del corte se pueden determinar por la cantidad de chispas al realizar el corte. No fuerce el corte aplicando una presión excesiva sobre el mango. Si lo hace, podría disminuir la eficacia del corte y provocar el desgaste prematuro del disco, así como posibles daños a la herramienta, a la rueda cortadora o a la pieza de trabajo.

Sostenga el mango con firmeza. Encienda la herramienta y espere a que el disco de corte alcance la velocidad máxima antes de bajarlo suavemente para introducirlo en el corte. Cuando el disco de corte haga contacto con la pieza de trabajo, haga presión gradualmente sobre el mango para realizar el corte. Una vez que haya completado el corte, apague la herramienta y espere hasta que el disco de corte se haya detenido por completo antes de volver a subir totalmente el mango.

Capacidad de corte

La capacidad máxima de corte varía según el ángulo de corte y la forma de la pieza de trabajo.

Capacidad máx. de corte con una un disco completamente nuevo

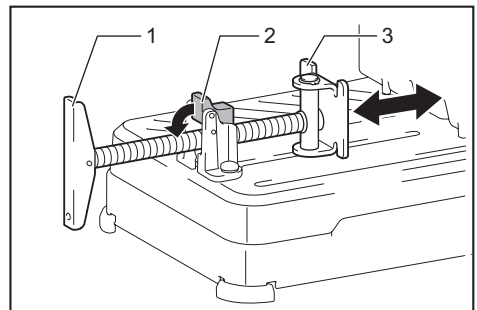
Ángulo de corte / Forma de la pieza de trabajo	90°	45°
	∅127 mm (∅5")	∅127 mm (∅5")
	115 x 130 mm (4-1/2" x 5-1/8") 102 x 194 mm (4" x 7-5/8") 70 x 233 mm (2-3/4" x 9-1/8")	115 x 103 mm (4-1/2" x 4-1/16")
	119 x 119 mm (4-11/16" x 4-11/16")	106 x 106 mm (4-3/16" x 4-3/16")
	137 x 137 mm (5-3/8" x 5-3/8")	100 x 100 mm (4" x 4")

NOTA: Para cortar con esta herramienta, se recomienda usar una pieza de trabajo con un espesor inferior a 1,6 mm (1/16").

Aseguramiento de la pieza de trabajo

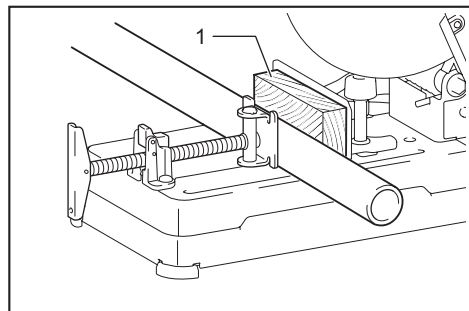
⚠PRECAUCIÓN: Al asegurar la pieza de trabajo, siempre coloque el sujetador de roscas en las roscas del eje. El no hacerlo podría dar como resultado que la pieza de trabajo no quedara bien asegurada. Esto podría ocasionar que la pieza de trabajo saliera despedida o que el disco de corte se rompiera de manera peligrosa.

Mientras se levanta el sujetador de roscas, la placa del tornillo de banco puede desplazarse hacia adentro y hacia afuera rápidamente. Para sujetar una pieza de trabajo, empuje el mango hasta que la placa del tornillo de banco haga contacto con la pieza de trabajo y luego regrese el sujetador de roscas. Gire el mango en el sentido de las manecillas del reloj hasta que la pieza de trabajo quede sujeta con firmeza.



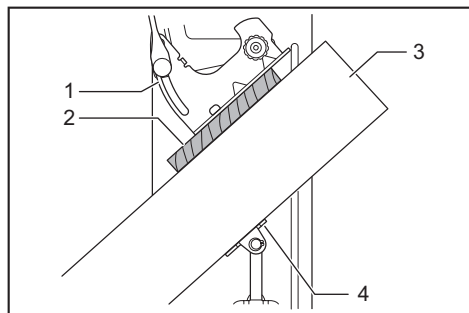
- **1.** Mango **2.** Sujetador de roscas **3.** Placa del tornillo de banco

Cuando el disco de corte se haya desgastado considerablemente, coloque un bloque espaciador detrás de la pieza de trabajo tal como se muestra en la figura. Puede aprovechar el disco desgastado en forma más eficaz utilizando el punto medio de la periferia de el disco para cortar la pieza de trabajo. Utilice un material resistente y no inflamable para el bloque espaciador.



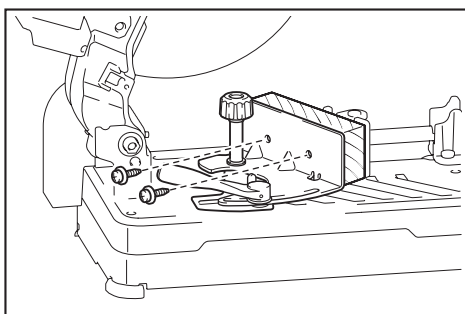
► 1. Bloque espaciador

Cuando corte piezas de trabajo de más de 85 mm (3-3/8") de ancho en un ángulo, coloque en la placa guía una pieza de madera recta (espaciador) de más de 190 mm (7-1/2") de largo x 40 mm (1-9/16") de ancho, tal como se muestra en la figura. Fije este espaciador insertando tornillos en los orificios de la placa guía. Asegúrese de que el disco de corte no esté haciendo contacto con el espaciador cuando el cabezal de la herramienta sea presionado.

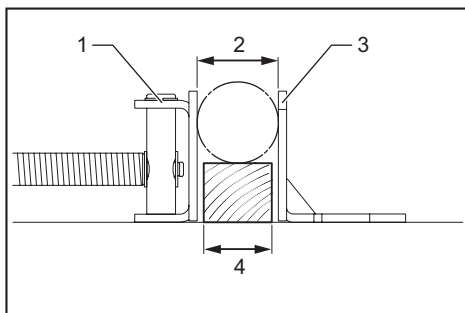


► 1. Placa guía 2. Bloque espaciador de más de 190 mm (7-1/2") de largo x 40 mm (1-9/16") de ancho 3. Pieza de trabajo de más de 85 mm (3-3/8") de ancho 4. Placa del tornillo de banco

AVISO: Cuando use un bloque espaciador, instale la placa guía en la posición más cercana al cuello del cabezal de la herramienta.

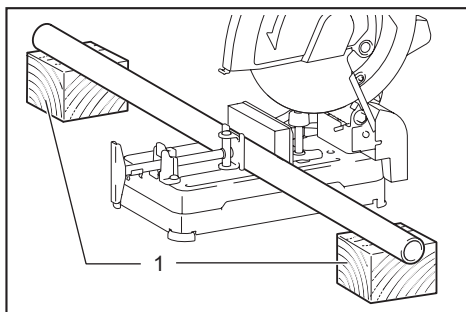


Cuando el disco de corte se haya desgastado, aumente la posición de corte colocando un bloque espaciador que sea ligeramente más angosto que la pieza de trabajo, tal como se muestra en la figura. Esto le ayudará a utilizar el disco de corte de manera eficiente.



► 1. Placa del tornillo de banco 2. Diámetro de la pieza de trabajo 3. Placa guía 4. Anchura del bloque espaciador

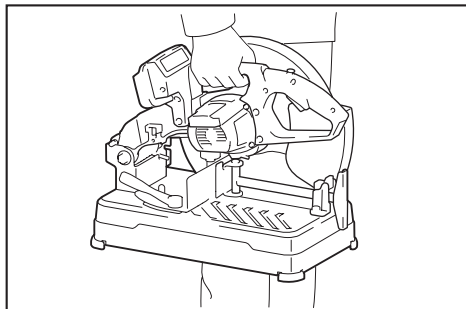
Las piezas de trabajo largas deben estar sujetadas por bloques a ambos lados de forma que queden nivelados con la parte superior de la base. Utilice un material no inflamable para los bloques de sujeción.



► 1. Bloque de sujeción

Transporte de la herramienta

Antes de transportar la herramienta, retire las baterías, doble hacia abajo el cabezal de la herramienta y luego bloquéelo. Sostenga el mango al transportar la herramienta.



GARANTÍA LIMITADA DE MAKITA

Ésta Garantía no aplica para México

Consulte la hoja de la garantía anexa para ver los términos más vigentes de la garantía aplicable a este producto. En caso de no disponer de esta hoja de garantía anexa, consulte los detalles sobre la garantía descritos en el sitio web de su país respectivo indicado a continuación.

Estados Unidos de América: www.makitatools.com

Canadá: www.makita.ca

Otros países: www.makita.com

MANTENIMIENTO

⚠PRECAUCIÓN: Asegúrese siempre de que la herramienta esté apagada y el cartucho de batería extraído antes de intentar realizar una inspección o mantenimiento.

AVISO: Nunca use gasolina, bencina, diluyente (tíner), alcohol o sustancias similares. Puede que esto ocasione grietas o decoloramiento.

Para mantener la SEGURIDAD y FIABILIDAD del producto, las reparaciones, y cualquier otra tarea de mantenimiento o ajuste deberán ser realizadas en centros de servicio autorizados o de fábrica Makita, empleando siempre repuestos Makita.

ACCESORIOS OPCIONALES

⚠PRECAUCIÓN: Estos accesorios o aditamentos están recomendados para utilizarse con su herramienta Makita especificada en este manual.

El empleo de cualquier otro accesorio o aditamento puede conllevar el riesgo de lesiones personales.

Utilice los accesorios o aditamentos solamente para su fin establecido.

Si necesita cualquier ayuda para más detalles en relación con estos accesorios, pregunte a su centro de servicio local Makita.

- Discos de corte abrasivos
- Batería y cargador originales de Makita

NOTA: Algunos de los artículos en la lista pueden incluirse en el paquete de la herramienta como accesorios estándar. Éstos pueden variar de país a país.

< USA only >

WARNING

Some dust created by power sanding, sawing, grinding, drilling, and other construction activities contains chemicals known to the State of California to cause cancer, birth defects or other reproductive harm. Some examples of these chemicals are:

- lead from lead-based paints,
- crystalline silica from bricks and cement and other masonry products, and
- arsenic and chromium from chemically-treated lumber.

Your risk from these exposures varies, depending on how often you do this type of work. To reduce your exposure to these chemicals: work in a well ventilated area, and work with approved safety equipment, such as those dust masks that are specially designed to filter out microscopic particles.

< Sólo en los Estados Unidos >

ADVERTENCIA

Algunos polvos creados por el lijado, aserrado, esmerilado, taladrado y otras actividades de la construcción contienen sustancias químicas reconocidas por el Estado de California como causantes de cáncer, defectos de nacimiento y otros peligros de reproducción. Algunos ejemplos de estos productos químicos son:

- plomo de pinturas a base de plomo,
- sílice cristalino de ladrillos y cemento y otros productos de albañilería, y
- arsénico y cromo de maderas tratadas químicamente.

El riesgo al que se expone varía, dependiendo de la frecuencia con la que realice este tipo de trabajo. Para reducir la exposición a estos productos químicos: trabaje en un área bien ventilada y póngase el equipo de seguridad indicado, tal como las máscaras contra polvo que están especialmente diseñadas para filtrar partículas microscópicas.

Makita Corporation

3-11-8, Sumiyoshi-cho,
Anjo, Aichi 446-8502 Japan

www.makita.com

885648A944
XWL01-1
EN, ESMX
20180529